

TECHNICAL SUPPORT MANUAL

Split System Air Conditioner

CSA6, HSA6, TSA6

Safety Labeling and Signal Words

DANGER, WARNING, CAUTION, and NOTE

The signal words **DANGER**, **WARNING**, **CAUTION**, and **NOTE** are used to identify levels of hazard seriousness. The signal word **DANGER** is only used on product labels to signify an immediate hazard. The signal words **WARNING**, **CAUTION**, and **NOTE** will be used on product labels and throughout this manual and other manuals that may apply to the product.

DANGER - Immediate hazards which **will** result in severe personal injury or death.

WARNING - Hazards or unsafe practices which **could** result in severe personal injury or death.

CAUTION - Hazards or unsafe practices which **may** result in minor personal injury or product or property damage.

NOTE - Used to highlight suggestions which **will** result in enhanced installation, reliability, or operation.

Signal Words in Manuals

The signal word **WARNING** is used throughout this manual in the following manner:



The signal word **CAUTION** is used throughout this manual in the following manner:



Signal Words on Product Labeling

Signal words are used in combination with colors and/or pictures on product labels.

TABLE OF CONTENTS

Model Number Identification	2
R-410A Quick Reference Guide	3
Wiring Diagram Connection	4
Wiring Diagram Schematic	5
Charging Chart	6
Tech Labels (Expanded Data)	7 - 14
Condenser Only Data	15 - 17
CSA6 HSA6 TSA6 Parts List	18 - 26
Exploded Drawings	27 - 29
Cooling Multiplying Factors	30 - 82

MODELS

CSA618GKA100	HSA618GKA100	TSA618GKA100
CSA624GKA100	HSA624GKA100	TSA624GKA100
CSA630GKA100	HSA630GKA100	TSA630GKA100
CSA636GKA100	HSA636GKA100	TSA636GKA100
CSA642GKA100	HSA642GKA100	TSA642GKA100
CSA648GKA100	HSA648GKA100	TSA648GKA100
CSA660GKA100	HSA660GKA100	TSA660GKA100

DEATH, PERSONAL INJURY, AND/OR PROPERTY DAMAGE HAZARD

Failure to carefully read and follow this warning could result in equipment malfunction, property damage, personal injury and/or death.

Installation or repairs made by unqualified persons could result in equipment malfunction, property damage, personal injury and/or death.

The information contained in this manual is intended for use by a qualified service technician familiar with safety procedures and equipped with the proper tools and test instruments.

Installation must conform with local building codes and with the National Electrical Code NFPA70 current edition or Canadian Electrical Code Part 1 CSA C.22.1.

OUTDOOR UNIT MODEL NUMBER IDENTIFICATION GUIDE (single phase)											
Digit Position:	1	2	3	4	5, 6	7	8	9	10	11	12
Example Part Number:	H	S	A	6	18	G	K	A	1	0	0
Product Family			REFRIGERANT			TYPE			NOMINAL EFFICIENCY		
S = R-410A			A = Air Conditioner			H = Heat Pump			3 = 13 SEER		
A = Air Conditioner			H = Heat Pump			3 = 13 SEER			4 = 14 SEER		
H = Heat Pump			3 = 13 SEER			4 = 14 SEER			5 = 15 SEER		
3 = 13 SEER			4 = 14 SEER			5 = 15 SEER			6 = 16 SEER		
4 = 14 SEER			5 = 15 SEER			6 = 16 SEER			7 = 17 SEER		
5 = 15 SEER			6 = 16 SEER			7 = 17 SEER			8 = 18 SEER		
6 = 16 SEER			7 = 17 SEER			8 = 18 SEER			NOMINAL CAPACITY		
7 = 17 SEER			8 = 18 SEER			18 = 18,000 BTUH = 1½ tons			24 = 24,000 BTUH = 2 tons		
8 = 18 SEER			18 = 18,000 BTUH = 1½ tons			24 = 24,000 BTUH = 2 tons			30 = 30,000 BTUH = 2½ tons		
18 = 18,000 BTUH = 1½ tons			24 = 24,000 BTUH = 2 tons			30 = 30,000 BTUH = 2½ tons			36 = 36,000 BTUH = 3 tons		
24 = 24,000 BTUH = 2 tons			30 = 30,000 BTUH = 2½ tons			36 = 36,000 BTUH = 3 tons			42 = 42,000 BTUH = 3½ tons		
30 = 30,000 BTUH = 2½ tons			36 = 36,000 BTUH = 3 tons			42 = 42,000 BTUH = 3½ tons			48 = 48,000 BTUH = 4 tons		
36 = 36,000 BTUH = 3 tons			42 = 42,000 BTUH = 3½ tons			48 = 48,000 BTUH = 4 tons			60 = 60,000 BTUH = 5 tons		
42 = 42,000 BTUH = 3½ tons			48 = 48,000 BTUH = 4 tons			60 = 60,000 BTUH = 5 tons			FEATURES		
48 = 48,000 BTUH = 4 tons			60 = 60,000 BTUH = 5 tons			A = Standard Grille			G = Coil Guard Grille		
60 = 60,000 BTUH = 5 tons			A = Standard Grille			G = Coil Guard Grille			C = Coastal		
A = Standard Grille			G = Coil Guard Grille			C = Coastal			VOLTAGE		
G = Coil Guard Grille			C = Coastal			K = 208/230-1-60			Sales Code		
C = Coastal			K = 208/230-1-60			Sales Code			Engineering Revision		
K = 208/230-1-60			Sales Code			Engineering Revision			Extra Digit		
Sales Code			Engineering Revision			Extra Digit			Extra Digit		
Engineering Revision			Extra Digit			Extra Digit					
Extra Digit			Extra Digit								
Extra Digit											

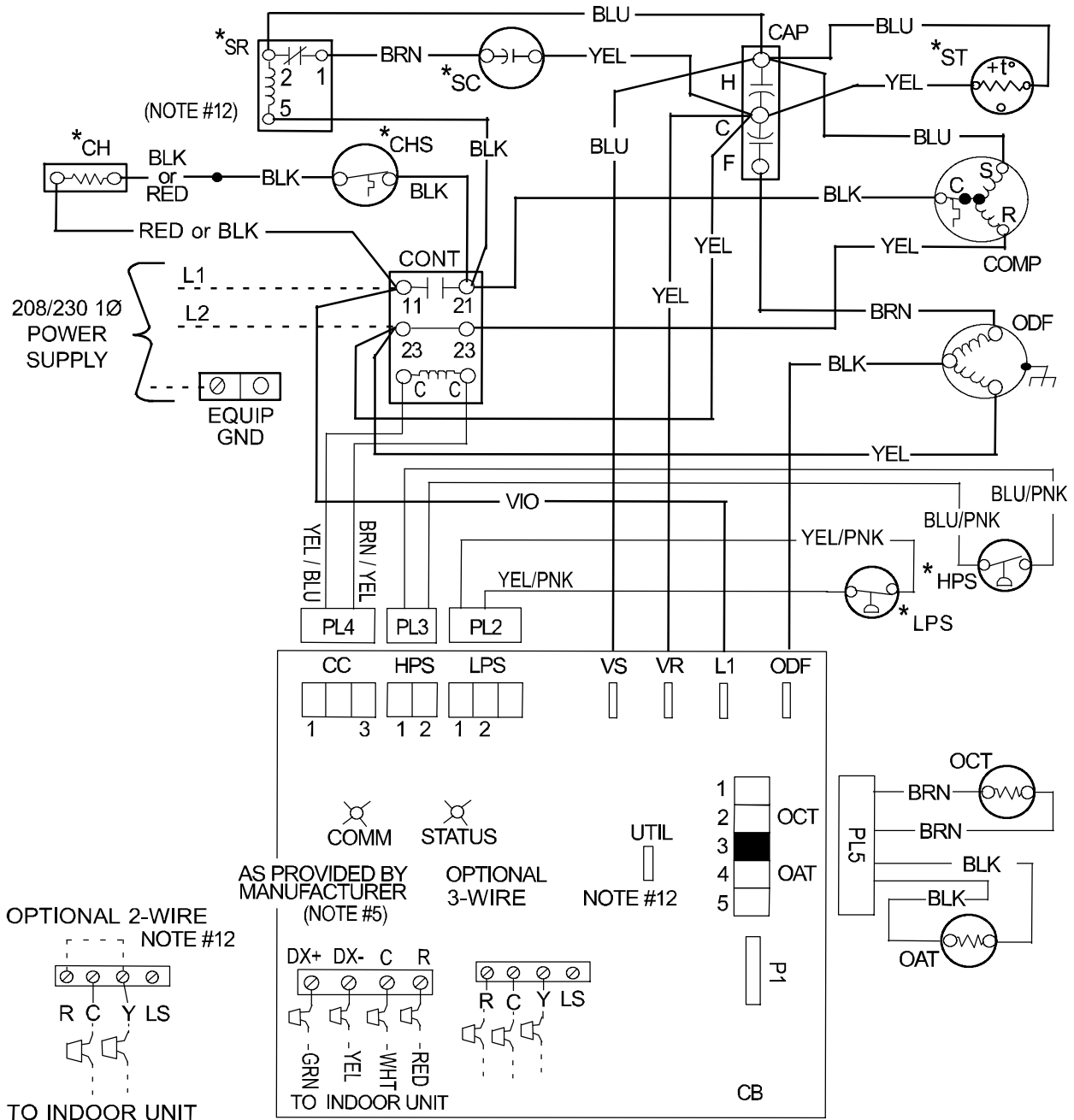
ACCESSORIES PART NUMBER IDENTIFICATION GUIDE									
Digit Position:	1	2	3	4	5	6, 7	8, 9	10, 11	
Example Part Number:	N	A	S	A	0	01	01	CH	
N = Non-Branded		BRANDING		A = Accessory		PRODUCT GROUP		S = Split System (AC & HP)	
A = Accessory		PRODUCT GROUP		S = Split System (AC & HP)		KIT USAGE		A = Original	
S = Split System (AC & HP)		KIT USAGE		A = Original		MAJOR SERIES		B = 2nd Generation	
A = Original		MAJOR SERIES		B = 2nd Generation		REFRIGERANT		0 = Generic or Not Applicable	
B = 2nd Generation		REFRIGERANT		0 = Generic or Not Applicable		2 = R-22		4 = R-410A	
0 = Generic or Not Applicable		2 = R-22		4 = R-410A		Product Identifier Number		Package Quantity	
2 = R-22		4 = R-410A		Product Identifier Number		Package Quantity		Type of Kit (Example: CH = Crankcase Heater)	
4 = R-410A		Product Identifier Number		Package Quantity		Type of Kit (Example: CH = Crankcase Heater)			
Product Identifier Number		Package Quantity		Type of Kit (Example: CH = Crankcase Heater)					
Package Quantity		Type of Kit (Example: CH = Crankcase Heater)							
Type of Kit (Example: CH = Crankcase Heater)									

R-410A QUICK REFERENCE GUIDE

- R-410A refrigerant operates at 50% – 70% higher pressures than R-22. Be sure that servicing equipment and replacement components are designed to operate with R-410A.
- R-410A refrigerant cylinders are rose colored.
- Recovery cylinder service pressure rating must be 400 psig, DOT 4BA400 or DOT BW400.
- R-410A systems should be charged with liquid refrigerant. Use a commercial type metering device in the manifold hose when charging into suction line with compressor operating.
- Manifold sets should be 750 psig high-side and 200 psig low-side with 520 psig low-side retard.
- Use hoses with 750 psig service pressure rating.
- Leak detectors should be designed to detect HFC refrigerant.
- R-410A, as with other HFC refrigerants, is only compatible with POE oils.
- Vacuum pumps will not remove moisture from oil.
- Do not use liquid line filter-driers with rated working pressures less than 600 psig.
- Do not install a suction line filter-drier in liquid line.
- POE oils absorb moisture rapidly. Do not expose oil to atmosphere.
- POE oils may cause damage to certain plastics and roofing materials.
- Wrap all filter-driers and service valves with wet cloth when brazing.
- A liquid line filter-drier is required on every unit.
- Do not use with an R-22 TXV.
- If indoor unit is equipped with an R-22 TXV, it must be changed to an R-410A TXV.
- Never open system to atmosphere while it is under a vacuum.
- When system must be opened for service, break vacuum with dry nitrogen and replace all filter-driers. Evacuate to 500 microns before recharging.
- Do not vent R-410A into the atmosphere.
- Do not use capillary tube indoor coils.
- Observe all **WARNINGS**, **CAUTIONS**, **NOTES**, and **bold** text.

Model Sizes: 18, 24, 30, 36, 42, 48, 60

CONNECTION DIAGRAM



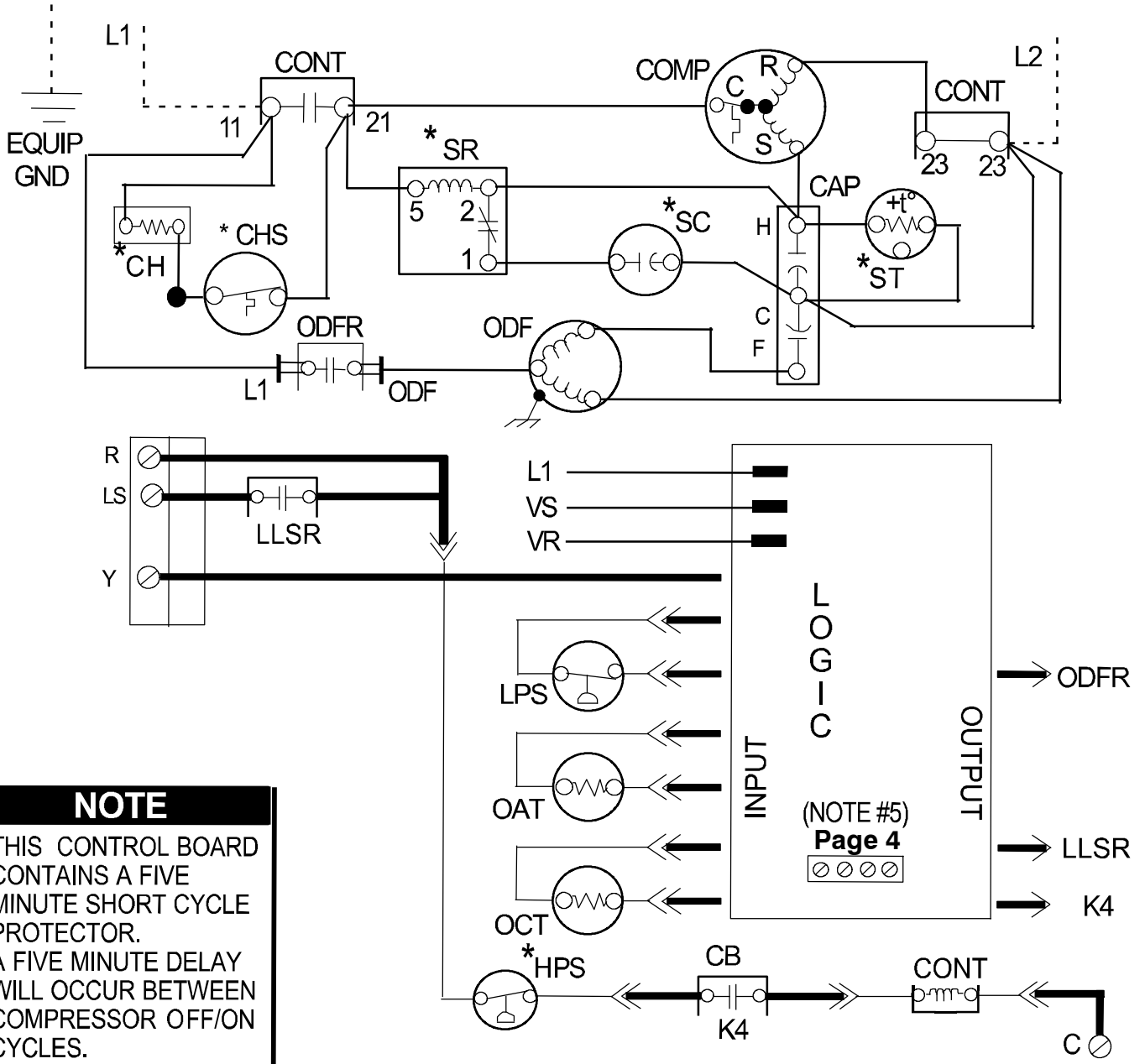
NOTES:

1. Compressor and fan motor furnished with inherent thermal protection.
2. To be wired in accordance with National Electric Code (N.E.C.) and local codes.
3. N.E.C. Class 2, 24V circuit, min. 40VA required, 60VA on units installed with LLS.
4. Use copper conductors only from disconnect to unit suitable for at least 75°C (167°F).
5. For communicating control only.
6. If indoor section has a transformer with a grounded secondary—connect the grounded side to "C" on the circuit board.
7. If any of the original wire, as supplied, must be replaced, use the same or equivalent wire.
8. Check all electrical connections inside control box for tightness.
9. Do not attempt to operate unit until service valves have been opened.
10. Symbols are electrical representation only.
11. When start relay and start capacitor are installed, start thermistor is not used.
12. In case of non-communicating Indoor system, disconnect factory provided wires from DX+, DX-, C and R terminals. Using factory provided wires, connect to R, C and/or Y Terminals per installation instructions. Connect field 24V wires to factory provided wires, cap or remove unused factory provided wires.

338440-101 REV. A

Model Sizes: 18, 24, 30, 36, 42, 48, 60

SCHEMATIC DIAGRAM (LADDER FORM)



NOTE
 THIS CONTROL BOARD CONTAINS A FIVE MINUTE SHORT CYCLE PROTECTOR. A FIVE MINUTE DELAY WILL OCCUR BETWEEN COMPRESSOR OFF/ON CYCLES.

LEGEND

- FACTORY POWER WIRING
- FACTORY CONTROL WIRING
- - - - FIELD CONTROL WIRING
- - - - FIELD POWER WIRING
- CONDUCTOR ON CIRCUIT BOARD
- COMPONENT CONNECTION
- 1/4 - INCH QUICK CONNECT TERMINALS
- ⏏ FIELD SPLICE
- JUNCTION
- ⏏ PLUG RECEPTACLE
- AP CAPACITOR (DUAL RUN)
- B CIRCUIT BOARD

- *CH CRANKCASE HEATER
- *CHS CRANKCASE HEATER SWITCH
- COMP COMPRESSOR
- CONT CONTACTOR
- *HPS HIGH PRESSURE SWITCH
- *LPS LOW PRESSURE SWITCH
- OAT THERMISTOR (OUTDOOR AIR)
- OCT THERMISTOR COIL
- ODFR OUTDOOR FAN RELAY
- ODF OUTDOOR FAN
- *SC START CAPACITOR
- *SR START RELAY
- *ST START THERMISTOR

* MAY BE FACTORY OR FIELD INSTALLED

R-410A CHARGING CHART												
Measured Liquid Pressure (psig)	Rating Plate (required) Subcooling Temperature °F (°C)											
	°F 6	(°C) 3	°F 8	(°C) 4	°F 10	(°C) 6	°F 12	(°C) 7	F 14	(°C) 8	F 16	(°C) 9
	R-410A Required Liquid Line Temperature °F (°C)											
251	78	26	76	24	74	23	72	22	70	21	68	20
259	80	27	78	26	76	24	74	23	72	22	70	21
266	82	28	80	27	78	26	76	24	74	23	72	22
274	84	29	82	28	80	27	78	26	76	24	74	23
283	86	30	84	29	82	28	80	27	78	26	76	24
291	88	31	86	30	84	29	82	28	80	27	78	26
299	90	32	88	31	86	30	84	29	82	28	80	27
308	92	33	90	32	88	31	86	30	84	29	82	28
317	94	34	92	33	90	32	88	31	86	30	84	29
326	96	36	94	34	92	33	90	32	88	31	86	30
335	98	37	96	36	94	34	92	33	90	32	88	31
345	100	38	98	37	96	36	94	34	92	33	90	32
364	104	40	102	39	100	38	98	37	96	36	94	34
374	106	41	104	40	102	39	100	38	98	37	96	36
384	108	42	106	41	104	40	102	39	100	38	98	37
395	110	43	108	42	106	41	104	40	102	39	100	38
406	112	44	110	43	108	42	106	41	104	40	102	39
416	114	46	112	44	110	43	108	42	106	41	104	40
427	116	47	114	46	112	44	110	43	108	42	106	41
439	118	48	116	47	114	46	112	44	110	43	108	42
450	120	49	118	48	116	47	114	46	112	44	110	43
462	122	50	120	49	118	48	116	47	114	46	112	44
474	124	51	122	50	120	49	118	48	116	47	114	46

- † Total capacities are net (I.D. blower heat subtracted) system capacities based on 25' line set. If additional tubing length and/or indoor unit is located above outdoor unit, a slight variation in capacity may occur.
- †† At TVA rating indoor condition (75 ° F db, 63 ° F wb), all other indoor air temperatures are at 80 ° F db. If additional tubing length and/or indoor unit is located above outdoor unit, a slight variation in capacity may occur.
- ^ System amps are total of indoor and outdoor amps.
- ‡ Chart data is for 80° F indoor dry bulb. For indoor db temperatures other than 80° F, measure Indoor db and Indoor CFM, and plug these into the formula below. Measure outdoor db and indoor wet bulb, apply these to the chart above, find MBh and S/T, and plug these into the formula below. (Note: if indoor db is the only thing changing, total capacity, MBh, stays the same.)

$$\text{Sensible Capacity at Indoor db LOWER than } 80^{\circ} \text{ F} = (\text{MBh} \times \text{S/T}) - \left(\frac{(80 - \text{Indoor db}) \times 835 \times \text{Indoor CFM}}{1000} \right)$$

$$\text{Sensible Capacity at Indoor db HIGHER than } 80^{\circ} \text{ F} = (\text{MBh} \times \text{S/T}) + \left(\frac{(\text{Indoor db} - 80) \times 835 \times \text{Indoor CFM}}{1000} \right)$$

18 Size With EN(A,D)4X19*17**+ TDR Indoor

Outdoor Ambient Temperature - Degrees F, Dry Bulb

75

85

95

105

115

Entering Indoor Temperature - Degrees F, Wet Bulb

CFM	72	67	63††	62	57	72	67	63††	62	57	72	67	63††	62	57	72	67	63††	62	57					
525																									
MBht	21.63	19.55	18.05	17.71	17.06	20.61	18.63	17.20	16.88	16.42	19.54	17.65	16.30	16.01	15.73	18.41	16.62	15.33	15.10	14.99	17.21	15.53	14.31	14.22	14.20
S/T‡	0.51	0.68	0.71	0.88	1.00	0.51	0.69	0.72	0.90	1.00	0.52	0.71	0.74	0.93	1.00	0.53	0.73	0.75	0.95	1.00	0.54	0.75	0.78	1.00	1.00
AMPS*	4.86	4.86	4.87	4.87	4.87	5.49	5.47	5.46	5.46	5.45	6.15	6.11	6.10	6.09	6.09	6.87	6.83	6.80	6.80	6.80	7.67	7.63	7.60	7.60	7.60
HI PR	258	256	255	255	254	301	298	297	296	296	347	344	342	342	341	398	395	393	392	392	454	450	448	447	447
LO PR	158	144	134	132	128	160	146	136	134	131	163	149	138	137	135	165	151	141	139	138	168	154	143	143	143
600																									
MBht	22.11	19.99	18.48	18.18	17.88	21.03	19.02	17.58	17.33	17.18	19.90	18.00	16.63	16.46	16.44	18.72	16.92	15.63	15.67	15.64	17.48	15.79	14.56	14.81	14.79
S/T‡	0.52	0.71	0.74	0.93	1.00	0.53	0.73	0.75	0.95	1.00	0.54	0.74	0.77	1.00	1.00	0.55	0.77	0.79	1.00	1.00	0.57	0.79	0.82	1.00	1.00
AMPS*	4.98	4.97	4.97	4.97	4.97	5.60	5.58	5.57	5.57	5.57	6.27	6.23	6.21	6.21	6.21	6.99	6.95	6.92	6.92	6.92	7.80	7.75	7.72	7.72	7.72
HI PR	259	257	256	255	255	302	299	297	297	297	348	345	343	343	343	399	396	393	393	393	454	451	448	449	449
LO PR	162	148	138	136	134	164	150	140	138	137	166	152	142	141	141	168	154	144	145	144	171	157	146	149	149
675																									
MBht	22.46	20.34	18.80	18.61	18.57	21.34	19.32	17.86	17.85	17.82	20.17	18.26	16.88	17.05	17.03	18.95	17.15	15.84	16.21	16.18	17.66	15.98	14.75	15.30	15.27
S/T‡	0.54	0.74	0.77	1.00	1.00	0.55	0.76	0.79	1.00	1.00	0.56	0.78	0.81	1.00	1.00	0.57	0.81	0.83	1.00	1.00	0.59	0.84	0.86	1.00	1.00
AMPS*	5.09	5.08	5.08	5.08	5.08	5.72	5.70	5.68	5.68	5.68	6.39	6.35	6.33	6.33	6.33	7.11	7.07	7.04	7.04	7.04	7.92	7.87	7.84	7.85	7.85
HI PR	259	257	256	256	256	302	300	298	298	298	349	346	344	344	344	399	396	394	395	395	455	451	449	450	450
LO PR	165	151	141	140	139	167	153	142	143	143	169	155	144	146	146	171	157	146	150	150	173	159	149	154	154

† Total capacities are net (I.D blower heat subtracted) system capacities based on 25 foot line set.

If additional tubing length and/or indoor unit is located above outdoor unit, a slight variation in capacity may occur.

* System amps are total of indoor and outdoor amps

‡ S/T are based on 80°F db entering air at the indoor coil. For sensible capacities at other than 80°F db, deduct 835 Btuh per 1000 cfm of indoor coil air from MBh x S/T for each degree below 80°F, or add 835 Btuh per 1000 cfm of indoor coil air from MBh x S/T for each degree above 80°F

†† At TVA rating indoor condition (75°F db/63°F wb), all other indoor air temperatures are at 80°F db.

338418-101 REV. A

COOLING		24 Size With EN(A,D)4X31*17**+TDR Indoor																											
		Outdoor Ambient Temperature - Degrees F, Dry Bulb																											
		75						85						95						105						115			
CFM		Entering Indoor Temperature - Degrees F, Wet Bulb																											
		72	67	63††	62	57	72	67	63††	62	57	72	67	63††	62	57	72	67	63††	62	57	72	67	63††	62	57			
700	MBht	28.62	26.01	24.07	23.66	23.01	27.23	24.72	22.89	22.51	22.09	25.76	23.39	21.64	21.32	21.11	24.22	21.99	20.33	20.11	20.07	22.61	20.51	18.96	18.99	18.96			
	S/T‡	0.50	0.68	0.70	0.88	1.00	0.50	0.67	0.70	0.88	1.00	0.49	0.67	0.70	0.88	1.00	0.49	0.67	0.70	1.00	1.00	0.49	0.67	0.70	1.00	1.00			
	AMPS*	6.71	6.71	6.72	6.72	6.72	7.54	7.52	7.51	7.51	7.50	8.43	8.38	8.36	8.36	8.35	9.39	9.34	9.31	9.30	9.30	10.47	10.41	10.38	10.38	10.38			
	HI PR	263	261	259	259	258	306	303	302	301	301	353	350	348	348	347	404	401	399	398	398	461	457	455	455	455			
	LO PR	161	146	136	134	131	163	149	138	136	134	165	151	140	138	137	167	153	142	141	141	170	155	144	145	145			
800	MBht	29.14	26.54	24.59	24.26	24.05	27.70	25.20	23.34	23.11	23.05	26.17	23.80	22.05	22.04	22.00	24.57	22.34	20.69	20.92	20.89	22.90	20.81	19.26	19.73	19.71			
	S/T‡	0.52	0.71	0.73	0.92	1.00	0.51	0.71	0.73	1.00	1.00	0.51	0.71	0.73	1.00	1.00	0.51	0.71	0.73	1.00	1.00	0.51	0.72	0.74	1.00	1.00			
	AMPS*	6.87	6.87	6.87	6.87	6.87	7.71	7.68	7.67	7.67	7.67	8.60	8.55	8.53	8.53	8.52	9.57	9.51	9.48	9.48	9.48	10.65	10.59	10.55	10.56	10.56			
	HI PR	263	261	260	260	259	306	304	302	302	302	353	351	349	349	348	405	402	400	400	400	461	458	456	456	456			
	LO PR	164	150	139	138	137	166	152	141	140	140	168	154	143	144	143	171	156	145	147	147	173	159	148	151	151			
900	MBht	29.51	26.93	24.97	24.96	24.92	28.04	25.54	23.69	23.89	23.86	26.46	24.10	22.35	22.77	22.74	24.81	22.60	20.95	21.59	21.56	23.10	21.03	19.49	20.34	20.31			
	S/T‡	0.54	0.74	0.77	1.00	1.00	0.53	0.74	0.77	1.00	1.00	0.53	0.74	0.77	1.00	1.00	0.53	0.75	0.77	1.00	1.00	0.53	0.76	0.78	1.00	1.00			
	AMPS*	7.04	7.03	7.03	7.03	7.03	7.88	7.84	7.83	7.83	7.83	8.77	8.72	8.69	8.70	8.70	9.74	9.68	9.64	9.65	9.65	10.82	10.75	10.72	10.74	10.74			
	HI PR	264	262	260	260	260	307	304	303	303	303	354	351	349	350	349	405	402	400	401	401	462	459	456	458	457			
	LO PR	167	153	142	143	142	169	155	144	146	146	171	157	146	149	149	173	159	148	153	152	175	161	150	157	156			

† Total capacities are net (1.D blower heat subtracted) system capacities based on 25 foot line set.
 If additional tubing length and/or indoor unit is located above outdoor unit, a slight variation in capacity may occur.

* System amps are total of indoor and outdoor amps

‡ S/T are based on 80°F db entering air at the indoor coil. For sensible capacities at other than 80°F db, deduct 835 Btuh per 1000 cfm of indoor coil air from MBh x S/T for each degree below 80°F, or add 835 Btuh per 1000 cfm of indoor coil air from MBh x S/T for each degree above 80°F

†† At TVA rating indoor condition (75°F db/63°F wb), all other indoor air temperatures are at 80°F db.

COOLING		30 Size With EN(A,D)4X31*17**+TDR Indoor																								
		Outdoor Ambient Temperature - Degrees F, Dry Bulb																								
		75				85				95				105				115								
CFM		72	67	63††	62	57	72	67	63††	62	57	72	67	63††	62	57	72	67	63††	62	57					
900	MBh†	34.12	31.02	28.79	28.37	27.93	32.53	29.57	27.44	27.08	26.86	30.88	28.06	26.03	25.78	25.73	29.15	26.46	24.52	24.55	24.51	27.28	24.74	22.89	23.21	23.18
	S/T†	0.50	0.68	0.71	0.89	1.00	0.51	0.70	0.73	0.91	1.00	0.53	0.73	0.75	1.00	1.00	0.54	0.75	0.78	1.00	1.00	0.56	0.78	0.81	1.00	1.00
	AMPS*	8.06	8.09	8.11	8.11	8.11	9.04	9.07	9.09	9.09	9.09	10.18	10.20	10.22	10.21	10.21	11.49	11.51	11.52	11.51	11.51	13.02	13.03	13.03	13.02	13.03
	HI PR	269	266	264	264	264	313	309	307	307	307	360	357	354	354	354	413	409	406	406	406	470	465	462	463	463
	LO PR	161	147	137	136	134	163	149	139	138	137	165	151	141	140	140	168	154	143	144	143	170	156	145	148	147
1000	MBh†	34.56	31.45	29.21	28.93	28.84	32.92	29.95	27.81	27.74	27.70	31.23	28.40	26.36	26.55	26.52	29.45	26.76	24.81	25.27	25.23	27.53	25.00	23.15	23.88	23.85
	S/T†	0.52	0.71	0.73	0.99	1.00	0.53	0.73	0.75	1.00	1.00	0.54	0.76	0.78	1.00	1.00	0.56	0.79	0.81	1.00	1.00	0.58	0.82	0.85	1.00	1.00
	AMPS*	8.20	8.24	8.26	8.26	8.26	9.20	9.23	9.25	9.24	9.24	10.34	10.36	10.38	10.37	10.37	11.65	11.67	11.68	11.68	11.68	13.18	13.19	13.20	13.19	13.19
	HI PR	269	267	265	264	264	313	310	308	308	308	361	358	355	355	355	413	410	407	407	407	470	466	463	464	464
	LO PR	164	150	140	139	138	166	152	141	142	141	168	154	143	145	145	170	156	145	148	148	172	158	147	152	152
1125	MBh†	34.98	31.86	29.61	29.84	29.80	33.28	30.31	28.18	28.63	28.59	31.54	28.73	26.68	27.38	27.34	29.70	27.04	25.10	26.02	25.99	27.74	25.25	23.41	24.56	24.53
	S/T†	0.53	0.74	0.77	1.00	1.00	0.55	0.77	0.79	1.00	1.00	0.57	0.80	0.82	1.00	1.00	0.58	0.83	0.85	1.00	1.00	0.61	0.87	0.89	1.00	1.00
	AMPS*	8.39	8.43	8.46	8.45	8.45	9.39	9.42	9.44	9.44	9.44	10.53	10.56	10.58	10.57	10.57	11.86	11.88	11.89	11.88	11.88	13.39	13.40	13.41	13.40	13.40
	HI PR	270	267	265	265	265	314	311	308	309	309	362	358	356	357	356	414	410	407	409	409	471	467	464	466	466
	LO PR	167	153	142	144	144	169	155	144	147	147	170	157	146	150	150	172	159	148	153	153	174	161	150	157	157

† Total capacities are net (I.D blower heat subtracted) system capacities based on 25 foot line set.

If additional tubing length and/or indoor unit is located above outdoor unit, a slight variation in capacity may occur.

* System amps are total of indoor and outdoor amps

† S/T are based on 80°F db entering air at the indoor coil. For sensible capacities at other than 80°F db, deduct 835 Btuh per 1000 cfm of indoor coil air from MBh x S/T for each degree below 80°F, or add 835 Btuh per 1000 cfm of indoor coil air from MBh x S/T for each degree above 80°F

†† At TVA rating indoor condition (75°F db/63°F wb), all other indoor air temperatures are at 80°F db.

338420-101 REV. A

COOLING		36 Size With EN(A,D)4X37*17**+TDR Indoor																								
		Outdoor Ambient Temperature - Degrees F, Dry Bulb																								
		85								95								105		115						
CFM		Entering Indoor Temperature - Degrees F, Wet Bulb																								
		72	67	63††	62	57	72	67	63††	62	57	72	67	63††	62	57	72	67	63††	62	57					
1050	MBh†	41.79	37.98	35.23	34.66	33.97	39.58	35.95	33.34	32.83	32.44	37.29	33.86	31.38	30.98	30.85	34.92	31.68	29.34	29.22	29.18	32.46	29.42	27.22	27.47	27.42
	S/T†	0.51	0.69	0.72	0.90	1.00	0.51	0.70	0.72	0.91	1.00	0.51	0.70	0.73	0.92	1.00	0.51	0.71	0.74	1.00	1.00	0.52	0.73	0.75	1.00	1.00
	AMPS*	9.98	9.90	9.85	9.84	9.83	11.08	10.99	10.94	10.93	10.92	12.29	12.20	12.15	12.14	12.14	13.66	13.58	13.53	13.53	13.52	15.25	15.17	15.13	15.13	15.13
	HIPR	264	263	262	261	261	309	307	306	305	305	358	355	354	353	353	411	408	406	406	406	469	466	464	464	464
	LO PR	160	146	136	134	132	162	148	138	136	135	164	150	140	138	138	166	152	142	142	142	169	155	144	146	145
1200	MBh†	42.51	38.68	35.91	35.54	35.43	40.20	36.57	33.94	33.84	33.79	37.84	34.40	31.91	32.14	32.09	35.39	32.16	29.80	30.35	30.31	32.84	29.82	27.61	28.49	28.45
	S/T†	0.53	0.73	0.75	0.99	1.00	0.53	0.73	0.76	1.00	1.00	0.53	0.74	0.77	1.00	1.00	0.54	0.75	0.78	1.00	1.00	0.54	0.77	0.79	1.00	1.00
	AMPS*	10.25	10.17	10.11	10.11	10.11	11.35	11.25	11.20	11.20	11.20	12.56	12.46	12.41	12.41	12.41	13.93	13.84	13.79	13.80	13.80	15.51	15.43	15.39	15.40	15.40
	HIPR	265	263	262	262	262	309	307	306	306	306	358	356	354	354	354	411	409	407	407	407	469	466	464	465	465
	LO PR	164	150	139	138	138	165	151	141	141	141	167	153	143	144	144	169	155	145	148	148	172	158	147	152	151
1350	MBh†	43.03	39.19	36.41	36.68	36.63	40.66	37.03	34.39	34.95	34.90	38.23	34.81	32.31	33.16	33.11	35.70	32.50	30.15	31.28	31.23	33.10	30.12	27.92	29.32	29.28
	S/T†	0.55	0.76	0.79	1.00	1.00	0.55	0.77	0.79	1.00	1.00	0.55	0.78	0.80	1.00	1.00	0.56	0.80	0.82	1.00	1.00	0.57	0.81	0.84	1.00	1.00
	AMPS*	10.52	10.43	10.37	10.38	10.38	11.62	11.52	11.46	11.47	11.47	12.82	12.73	12.67	12.69	12.69	14.20	14.10	14.05	14.07	14.07	15.77	15.69	15.65	15.67	15.67
	HIPR	265	263	262	262	262	310	308	306	307	307	359	356	355	355	355	412	409	407	408	408	470	467	465	466	466
	LO PR	166	152	142	143	143	168	154	143	146	146	170	156	145	149	149	172	158	147	153	153	174	160	149	156	156

† Total capacities are net (1.D blower heat subtracted) system capacities based on 25 foot line set.

If additional tubing length and/or indoor unit is located above outdoor unit, a slight variation in capacity may occur.

* System amps are total of indoor and outdoor amps

‡ S/T are based on 80°F db entering air at the indoor coil. For sensible capacities at other than 80°F db, deduct 835 Btuh per 1000 cfm of indoor coil air from MBh x S/T for each degree below 80°F, or add 835 Btuh per 1000 cfm of indoor coil air from MBh x S/T for each degree above 80°F

†† At TVA rating indoor condition (75°F db/63°F wb), all other indoor air temperatures are at 80°F db.

42 Size With EN(A,D)4X43*24**+TDR Indoor

COOLING		Outdoor Ambient Temperature - Degrees F, Dry Bulb																									
		75							85							105							115				
CFM		Entering Indoor Temperature - Degrees F, Wet Bulb																									
		72	67	63††	62	57	72	67	63††	62	57	72	67	63††	62	57	72	67	63††	62	57	72	67	63††	62	57	
1225	MBh†	49.34	44.95	41.76	41.12	40.25	47.47	43.25	40.20	39.63	39.10	45.41	41.39	38.47	38.01	37.79	43.15	39.33	36.56	36.38	36.33	40.71	37.11	34.50	34.75	34.70	
	S/T†	0.50	0.68	0.70	0.88	1.00	0.51	0.69	0.71	0.90	1.00	0.52	0.71	0.73	0.92	1.00	0.53	0.73	0.75	1.00	1.00	0.54	0.75	0.77	1.00	1.00	
	AMPS*	11.57	11.49	11.44	11.43	11.41	13.10	12.99	12.91	12.90	12.89	14.85	14.72	14.63	14.62	14.61	16.85	16.70	16.60	16.59	16.59	19.11	18.94	18.83	18.84	18.84	
1400	HI PR	274	271	269	269	268	318	315	312	312	311	366	362	360	359	359	418	414	411	411	411	474	470	467	468	467	
	LO PR	159	146	135	134	131	162	148	137	136	134	164	150	139	138	137	166	152	141	141	141	169	154	144	145	145	
	AMPS*	50.16	45.74	42.55	42.11	41.92	48.18	43.96	40.90	40.72	40.66	46.03	42.00	39.08	39.30	39.24	43.68	39.87	37.10	37.71	37.65	41.13	37.56	34.95	35.95	35.90	
1575	MBh†	50.74	46.32	43.12	43.35	43.29	48.70	44.48	41.42	42.00	41.94	46.46	42.46	39.54	40.47	40.42	44.03	40.26	37.50	38.78	38.73	41.41	37.89	35.30	36.91	36.87	
	S/T†	0.54	0.74	0.77	1.00	1.00	0.55	0.76	0.78	1.00	1.00	0.56	0.78	0.81	1.00	1.00	0.57	0.81	0.83	1.00	1.00	0.59	0.84	0.86	1.00	1.00	
	AMPS*	12.18	12.09	12.03	12.03	12.03	13.72	13.60	13.53	13.54	13.54	15.49	15.35	15.26	15.29	15.29	17.50	17.35	17.24	17.29	17.29	19.78	19.61	19.50	19.57	19.57	
	HI PR	275	272	270	270	270	319	316	314	314	314	367	363	361	362	362	419	415	413	414	414	476	472	469	471	471	
	LO PR	166	152	141	142	142	168	154	143	143	145	170	156	145	149	148	172	158	147	152	152	174	160	149	156	156	

† Total capacities are net (I.D blower heat subtracted) system capacities based on 25 foot line set.

If additional tubing length and/or indoor unit is located above outdoor unit, a slight variation in capacity may occur.

* System amps are total of indoor and outdoor amps

† S/T are based on 80°F db entering air at the indoor coil. For sensible capacities at other than 80°F db, deduct 835 Btuh per 1000 cfm of indoor coil air from MBh x S/T for each degree below 80°F, or add 835 Btuh per 1000 cfm of indoor coil air from MBh x S/T for each degree above 80°F

†† At TVA rating indoor condition (75°F db/63°F wb), all other indoor air temperatures are at 80°F db.

338423-101 REV. A

COOLING		48 Size With EN(A,D)4X61*24**+TDR Indoor																								
		Outdoor Ambient Temperature - Degrees F, Dry Bulb									Entering Indoor Temperature - Degrees F, Wet Bulb															
		75			85			95			105			115												
CFM		72	67	63††	62	57	72	67	63††	62	57	72	67	63††	62	57	72	67	63††	62	57					
	MBh†	56.26	50.89	47.07	46.35	45.55	53.43	48.38	44.78	44.17	43.76	50.50	45.78	42.40	41.98	41.89	47.48	43.08	39.93	39.98	39.91	44.30	40.25	37.32	37.84	37.78
	S/T†	0.50	0.68	0.70	0.88	1.00	0.51	0.69	0.72	0.90	1.00	0.51	0.71	0.73	1.00	1.00	0.53	0.73	0.75	1.00	1.00	0.54	0.76	0.78	1.00	1.00
1400	AMPS*	11.42	12.12	12.56	12.62	12.69	13.30	13.84	14.17	14.20	14.23	15.19	15.58	15.80	15.82	15.82	17.12	17.39	17.53	17.52	17.52	19.16	19.31	19.38	19.37	19.37
	H I P R	270	267	264	264	263	313	309	306	306	306	360	356	352	352	352	411	406	403	403	403	466	461	457	458	458
	LO P R	161	147	137	135	133	163	149	139	138	136	165	151	141	140	140	168	154	143	144	144	170	156	145	148	148
	MBh†	57.28	51.86	47.99	47.61	47.50	54.30	49.21	45.57	45.63	45.56	51.24	46.50	43.10	43.61	43.54	48.08	43.69	40.52	41.47	41.41	44.78	40.75	37.82	39.16	39.11
	S/T†	0.52	0.71	0.74	1.00	1.00	0.52	0.73	0.75	1.00	1.00	0.54	0.75	0.77	1.00	1.00	0.55	0.77	0.80	1.00	1.00	0.57	0.80	0.83	1.00	1.00
1600	AMPS*	11.56	12.29	12.76	12.78	12.79	13.49	14.05	14.40	14.38	14.39	15.41	15.83	16.07	16.03	16.03	17.38	17.67	17.82	17.77	17.78	19.44	19.61	19.70	19.66	19.66
	H I P R	271	267	265	265	265	314	310	307	307	307	361	357	353	354	354	412	407	404	405	404	467	462	458	460	460
	LO P R	164	150	140	140	139	166	152	142	143	142	168	155	144	146	146	171	157	146	150	149	173	159	148	154	153
	MBh†	58.02	52.58	48.67	49.21	49.14	54.93	49.84	46.18	47.13	47.06	51.76	47.04	43.62	44.96	44.90	48.49	44.14	40.96	42.67	42.61	45.10	41.13	38.21	40.23	40.18
	S/T†	0.53	0.74	0.77	1.00	1.00	0.54	0.77	0.79	1.00	1.00	0.56	0.79	0.81	1.00	1.00	0.57	0.82	0.84	1.00	1.00	0.59	0.85	0.87	1.00	1.00
1800	AMPS*	11.73	12.48	12.98	12.89	12.90	13.69	14.28	14.65	14.54	14.55	15.66	16.08	16.35	16.24	16.24	17.65	17.95	18.12	18.02	18.03	19.73	19.91	20.01	19.95	19.95
	H I P R	271	268	266	266	266	314	311	308	309	309	361	357	354	355	355	412	408	404	406	406	468	463	459	462	462
	LO P R	167	153	143	145	144	169	155	144	148	148	171	157	146	151	151	173	159	148	155	154	175	162	151	159	158

† Total capacities are net (1.D blower heat subtracted) system capacities based on 25 foot line set.

If additional tubing length and/or indoor unit is located above outdoor unit, a slight variation in capacity may occur.

* System amps are total of indoor and outdoor amps

‡ S/T are based on 80°F db entering air at the indoor coil. For sensible capacities at other than 80°F db, deduct 835 Btuh per 1000 cfm of indoor coil air from MBh x S/T for each degree below 80°F, or add 835 Btuh per 1000 cfm of indoor coil air from MBh x S/T for each degree above 80°F

†† At TVA rating indoor condition (75°F db/63°F wb), all other indoor air temperatures are at 80°F db.

COOLING		60 Size With EN(A,D)4X61*24**+ TDR Indoor																								
		Outdoor Ambient Temperature - Degrees F, Dry Bulb																								
		75					85					105					115									
CFM		72	67	63††	62	57	72	67	63††	62	57	72	67	63††	62	57	72	67	63††	62	57					
1750	MBh†	66.03	60.16	55.92	55.30	54.87	62.86	57.34	53.34	52.96	52.85	59.49	54.33	50.59	50.72	50.64	55.92	51.12	47.64	48.29	48.23	52.09	47.67	44.45	45.62	45.56
	S/T†	0.51	0.70	0.72	0.91	1.00	0.52	0.71	0.73	1.00	1.00	0.53	0.73	0.75	1.00	1.00	0.54	0.75	0.77	1.00	1.00	0.55	0.77	0.79	1.00	1.00
	AMPS*	15.37	15.33	15.29	15.29	15.28	17.03	16.94	16.87	16.87	16.87	18.82	18.70	18.61	18.61	18.61	20.79	20.66	20.55	20.58	20.57	23.00	22.86	22.76	22.80	22.80
	HIPR	279	275	272	271	271	322	318	314	314	314	370	365	361	361	361	421	415	411	412	412	476	470	466	468	468
	LO PR	163	149	138	137	136	165	151	140	140	140	167	153	142	143	143	170	155	144	147	147	172	158	147	151	151
2000	MBh†	66.94	61.07	56.81	57.02	56.95	63.63	58.11	54.12	54.82	54.75	60.13	55.00	51.26	52.43	52.36	56.41	51.67	48.20	49.82	49.76	52.46	48.13	44.93	46.96	46.90
	S/T†	0.53	0.74	0.76	1.00	1.00	0.54	0.75	0.77	1.00	1.00	0.55	0.77	0.79	1.00	1.00	0.56	0.79	0.81	1.00	1.00	0.58	0.82	0.84	1.00	1.00
	AMPS*	15.79	15.74	15.71	15.71	15.71	17.45	17.36	17.30	17.31	17.31	19.25	19.13	19.04	19.07	19.07	21.23	21.09	20.99	21.04	21.04	23.44	23.30	23.20	23.26	23.26
	HIPR	280	276	273	273	273	323	319	315	316	316	371	366	362	363	363	422	417	412	414	414	477	472	467	470	470
	LO PR	166	152	141	142	142	168	154	143	146	145	170	156	145	149	149	172	158	147	153	153	175	161	150	157	157
2250	MBh†	67.58	61.73	57.47	58.71	58.64	64.15	58.69	54.69	56.35	56.29	60.53	55.48	51.76	53.80	53.74	56.72	52.08	48.64	51.03	50.98	52.67	48.50	45.33	48.01	47.96
	S/T†	0.55	0.77	0.79	1.00	1.00	0.56	0.79	0.81	1.00	1.00	0.57	0.81	0.83	1.00	1.00	0.59	0.84	0.86	1.00	1.00	0.61	0.87	0.88	1.00	1.00
	AMPS*	16.20	16.15	16.12	16.13	16.13	17.88	17.79	17.72	17.75	17.75	19.68	19.56	19.47	19.52	19.52	21.65	21.52	21.42	21.49	21.49	23.86	23.73	23.63	23.72	23.72
	HIPR	281	277	273	274	274	324	320	316	318	318	372	367	363	365	365	423	417	413	416	416	478	473	468	472	472
	LO PR	168	155	144	147	147	170	156	146	151	150	172	159	148	154	154	174	161	150	158	158	177	163	152	162	162

† Total capacities are net (I.D blower heat subtracted) system capacities based on 25 foot line set.

If additional tubing length and/or indoor unit is located above outdoor unit, a slight variation in capacity may occur.

* System amps are total of indoor and outdoor amps

† S/T are based on 80°F db entering air at the indoor coil. For sensible capacities at other than 80°F db, deduct 835 Btuh per 1000 cfm of indoor coil air from MBh x S/T for each degree below 80°F, or add 835 Btuh per 1000 cfm of indoor coil air from MBh x S/T for each degree above 80°F

†† At TVA rating indoor condition (75°F db/63°F wb), all other indoor air temperatures are at 80°F db.

338426-101 REV. A

Data for Condenser Only (Cooling)									
Saturated Suction Temperature °F		Condenser Entering Air Temperature °F							
		55	65	75	85	95	105	115	125
(C,H,T)SA618									
30	TCG	15.70	14.90	14.10	13.20	12.30	11.30	10.30	9.20
	SDT	65.20	74.80	84.40	94.00	103.60	113.10	122.60	132.00
	KW	0.75	0.87	0.99	1.12	1.26	1.43	1.61	1.83
35	TCG	17.50	16.60	15.70	14.70	13.70	12.60	11.50	10.40
	SDT	66.30	75.90	85.40	94.90	104.40	113.80	123.20	132.70
	KW	0.74	0.86	0.99	1.12	1.27	1.43	1.61	1.83
40	TCG	19.40	18.40	17.40	16.30	15.20	14.10	12.90	11.60
	SDT	67.50	76.90	86.40	95.80	105.20	114.60	124.00	133.30
	KW	0.73	0.86	0.99	1.12	1.27	1.43	1.62	1.83
45	TCG	21.50	20.40	19.20	18.10	16.80	15.60	14.30	12.90
	SDT	68.70	78.00	87.40	96.70	106.10	115.40	124.80	134.10
	KW	0.72	0.85	0.99	1.13	1.27	1.44	1.62	1.83
50	TCG	23.70	22.50	21.20	19.90	18.60	17.20	15.80	14.30
	SDT	69.90	79.20	88.40	97.70	107.00	116.30	125.60	134.80
	KW	0.71	0.85	0.99	1.13	1.28	1.44	1.63	1.84
55	TCG	26.00	24.70	23.30	21.80	20.40	18.90	17.40	15.80
	SDT	71.20	80.40	89.60	98.80	108.00	117.20	126.50	135.60
	KW	0.71	0.85	0.99	1.14	1.29	1.46	1.64	1.85
(C,H,T)SA624									
30	TCG	20.50	19.50	18.50	17.30	16.20	14.90	13.60	12.30
	SDT	66.10	75.80	85.30	94.90	104.40	114.00	123.40	132.80
	KW	1.00	1.15	1.30	1.47	1.65	1.85	2.09	2.36
35	TCG	22.70	21.60	20.40	19.20	17.90	16.60	15.20	13.70
	SDT	67.20	76.80	86.30	95.80	105.30	114.70	124.10	133.50
	KW	0.99	1.15	1.30	1.47	1.65	1.86	2.09	2.36
40	TCG	25.10	23.80	22.50	21.20	19.80	18.30	16.80	15.30
	SDT	68.40	77.90	87.30	96.70	106.10	115.50	124.80	134.10
	KW	0.98	1.14	1.30	1.47	1.66	1.86	2.09	2.36
45	TCG	27.60	26.20	24.80	23.30	21.80	20.20	18.60	16.90
	SDT	69.60	79.00	88.30	97.60	107.00	116.30	125.60	134.90
	KW	0.97	1.14	1.30	1.48	1.66	1.87	2.10	2.37
50	TCG	30.30	28.80	27.20	25.60	23.90	22.20	20.40	18.50
	SDT	70.80	80.10	89.40	98.70	107.90	117.20	126.40	135.60
	KW	0.96	1.13	1.30	1.48	1.67	1.88	2.11	2.38
55	TCG	33.20	31.50	29.70	27.90	26.10	24.20	22.30	20.30
	SDT	72.10	81.30	90.50	99.70	108.90	118.10	127.30	136.40
	KW	0.95	1.13	1.31	1.49	1.68	1.89	2.12	2.39
(C,H,T)SA630									
30	TCG	25.00	23.60	22.30	20.90	19.50	18.00	16.30	14.40
	SDT	68.10	77.50	87.00	96.40	105.80	115.10	124.40	133.60
	KW	1.26	1.42	1.59	1.78	1.99	2.23	2.51	2.82
35	TCG	27.60	26.10	24.70	23.20	21.60	20.00	18.20	16.30
	SDT	69.40	78.70	88.10	97.40	106.70	116.00	125.30	134.40
	KW	1.27	1.43	1.60	1.79	2.00	2.24	2.52	2.83
40	TCG	30.50	28.80	27.20	25.60	23.90	22.20	20.30	18.20
	SDT	70.70	79.90	89.20	98.50	107.70	117.00	126.20	135.30
	KW	1.28	1.43	1.60	1.79	2.01	2.25	2.53	2.85
45	TCG	33.50	31.70	29.90	28.20	26.40	24.40	22.40	20.20
	SDT	72.00	81.20	90.40	99.60	108.80	118.00	127.20	136.30
	KW	1.28	1.43	1.61	1.80	2.01	2.26	2.54	2.86
50	TCG	36.70	34.70	32.80	30.90	28.90	26.90	24.70	22.30
	SDT	73.50	82.50	91.60	100.80	110.00	119.20	128.20	137.20
	KW	1.28	1.43	1.61	1.80	2.02	2.27	2.55	2.87
55	TCG	40.10	38.00	35.90	33.80	31.60	29.40	27.10	24.60
	SDT	75.00	84.00	93.00	102.10	111.20	120.30	129.30	138.20
	KW	1.27	1.43	1.60	1.80	2.02	2.27	2.55	2.88
(C,H,T)SA636									

TCG = Gross Cooling Capacity (x 1000 BTU/hr)
 SDT = Saturated Temperature Leaving Compressor
 kW = Outdoor Unit Kilowatts

Data for Condenser Only (Cooling)									
Saturated Suction Temperature ° F		Condenser Entering Air Temperature ° F							
		55	65	75	85	95	105	115	125
30	TCG	31.30	29.70	28.10	26.40	24.60	22.80	20.80	18.80
	SDT	69.50	78.70	87.90	97.20	106.60	115.90	125.20	134.60
	KW	1.43	1.64	1.86	2.10	2.37	2.68	3.04	3.47
35	TCG	34.50	32.80	31.00	29.20	27.30	25.30	23.20	21.00
	SDT	70.70	79.90	89.10	98.30	107.60	116.80	126.10	135.40
	KW	1.43	1.65	1.87	2.11	2.38	2.69	3.05	3.47
40	TCG	38.10	36.10	34.20	32.20	30.10	27.90	25.70	23.30
	SDT	72.10	81.20	90.30	99.50	108.70	117.80	127.10	136.30
	KW	1.44	1.66	1.88	2.12	2.39	2.70	3.06	3.48
45	TCG	41.80	39.70	37.60	35.40	33.10	30.80	28.30	25.70
	SDT	73.70	82.60	91.60	100.70	109.80	118.90	128.10	137.20
	KW	1.45	1.67	1.90	2.14	2.41	2.72	3.07	3.49
50	TCG	45.90	43.60	41.20	38.80	36.30	33.80	31.10	28.30
	SDT	75.30	84.10	93.10	102.00	111.10	120.10	129.10	138.10
	KW	1.47	1.69	1.92	2.16	2.43	2.74	3.09	3.50
55	TCG	50.20	47.60	45.10	42.40	39.80	37.00	34.10	31.10
	SDT	77.00	85.70	94.60	103.40	112.30	121.30	130.20	139.10
	KW	1.49	1.71	1.94	2.19	2.46	2.76	3.11	3.52
(C,H,T)SA642									
30	TCG	38.00	36.30	34.40	32.40	30.20	27.90	25.60	23.10
	SDT	69.80	79.20	88.70	98.10	107.40	116.70	125.90	135.10
	KW	1.83	2.03	2.26	2.54	2.86	3.22	3.63	4.09
35	TCG	42.00	40.10	38.00	35.80	33.40	30.90	28.40	25.70
	SDT	71.20	80.60	89.90	99.20	108.40	117.70	126.80	136.00
	KW	1.84	2.04	2.28	2.56	2.88	3.24	3.65	4.11
40	TCG	46.30	44.20	41.80	39.40	36.80	34.10	31.30	28.40
	SDT	72.70	81.90	91.20	100.40	109.60	118.70	127.80	136.90
	KW	1.85	2.06	2.30	2.58	2.90	3.26	3.67	4.13
45	TCG	50.90	48.50	45.90	43.20	40.40	37.40	34.40	31.20
	SDT	74.20	83.30	92.50	101.60	110.80	119.90	128.90	137.90
	KW	1.86	2.07	2.32	2.60	2.92	3.29	3.70	4.16
50	TCG	55.70	53.10	50.20	47.30	44.10	40.90	37.60	34.20
	SDT	75.80	84.80	93.90	103.00	112.00	121.00	130.00	138.90
	KW	1.87	2.09	2.34	2.63	2.95	3.32	3.73	4.19
55	TCG	60.90	57.90	54.80	51.50	48.10	44.60	41.00	37.30
	SDT	77.40	86.40	95.40	104.40	113.40	122.30	131.20	140.00
	KW	1.89	2.11	2.36	2.66	2.99	3.36	3.77	4.23
(C,H,T)SA648									
30	TCG	40.60	38.50	36.30	34.20	31.90	29.50	27.10	24.40
	SDT	67.60	77.00	86.40	95.80	105.10	114.50	123.80	133.10
	KW	2.08	2.39	2.69	2.99	3.31	3.67	4.07	4.54
35	TCG	44.90	42.50	40.10	37.70	35.20	32.70	30.00	27.10
	SDT	68.90	78.20	87.50	96.80	106.10	115.30	124.60	133.80
	KW	2.01	2.35	2.67	3.00	3.33	3.69	4.09	4.55
40	TCG	49.70	47.00	44.30	41.60	38.80	36.00	33.10	30.00
	SDT	70.20	79.40	88.60	97.80	107.00	116.30	125.40	134.60
	KW	1.90	2.28	2.63	2.98	3.33	3.70	4.11	4.57
45	TCG	54.80	51.80	48.80	45.80	42.70	39.60	36.40	33.00
	SDT	71.70	80.70	89.80	99.00	108.10	117.30	126.40	135.40
	KW	1.75	2.17	2.55	2.93	3.31	3.70	4.13	4.59
50	TCG	60.50	57.00	53.70	50.30	46.90	43.50	39.90	36.20
	SDT	73.20	82.10	91.20	100.20	109.30	118.30	127.30	136.30
	KW	1.56	2.02	2.44	2.86	3.27	3.69	4.13	4.61
55	TCG	66.60	62.70	58.90	55.20	51.40	47.60	43.60	39.50
	SDT	74.80	83.60	92.60	101.50	110.50	119.40	128.40	137.30
	KW	1.31	1.82	2.30	2.75	3.20	3.65	4.11	4.61
(C,H,T)SA660									

TCG = Gross Cooling Capacity (x 1000 BTU/hr)
 SDT = Saturated Temperature Leaving Compressor
 kW = Outdoor Unit Kilowatts

Data for Condenser Only (Cooling)									
Saturated Suction Temperature °F		Condenser Entering Air Temperature °F							
		55	65	75	85	95	105	115	125
30	TCG	49.80	47.40	44.90	42.20	39.40	36.30	33.00	29.50
	SDT	69.00	78.40	87.70	97.10	106.40	115.60	124.80	134.00
	KW	2.44	2.75	3.07	3.42	3.82	4.27	4.80	5.43
35	TCG	55.20	52.40	49.60	46.60	43.40	40.10	36.50	32.80
	SDT	70.40	79.70	89.00	98.20	107.40	116.60	125.80	134.90
	KW	2.43	2.76	3.09	3.45	3.84	4.30	4.83	5.44
40	TCG	60.90	57.80	54.60	51.30	47.80	44.10	40.20	36.10
	SDT	71.90	81.10	90.20	99.40	108.50	117.60	126.70	135.70
	KW	2.42	2.76	3.10	3.47	3.87	4.33	4.85	5.46
45	TCG	67.00	63.50	59.90	56.20	52.40	48.30	44.10	39.60
	SDT	73.50	82.50	91.60	100.70	109.70	118.70	127.70	136.70
	KW	2.41	2.76	3.12	3.49	3.90	4.36	4.88	5.48
50	TCG	73.50	69.50	65.50	61.40	57.20	52.80	48.10	43.30
	SDT	75.10	84.00	93.00	102.00	111.00	119.90	128.80	137.60
	KW	2.40	2.77	3.13	3.51	3.93	4.39	4.91	5.51
55	TCG	80.40	75.90	71.40	66.90	62.20	57.40	52.30	47.10
	SDT	76.80	85.70	94.50	103.40	112.30	121.10	129.90	138.60
	KW	2.39	2.77	3.15	3.54	3.96	4.42	4.95	5.54

TCG = Gross Cooling Capacity (x 1000 BTU/hr)

SDT = Saturated Temperature Leaving Compressor

kW = Outdoor Unit Kilowatts

CSA6 PARTS LIST

KEY NO.	DESCRIPTION	PART NO.	CSA6 PARTS LIST						
			CSA618GKA100	CSA624GKA100	CSA630GKA100	CSA636GKA100	CSA642GKA100	CSA648GKA100	CSA660GKA100
01	COMP ZP16K5E-PFV-130	ZP16K5EPFV130	1	-	-	-	-	-	-
01	COMP ZP20K5E-PFV-130	ZP20K5EPFV130	-	1	-	-	-	-	-
01	COMP ZP24K5E-PFV-130	ZP24K5EPFV130	-	-	1	-	-	-	-
01	COMP ZP29K5E-PFV-130	ZP29K5EPFV130	-	-	-	1	-	-	-
01	COMP ZP34K5E-PFV-130	ZP34K5EPFV130	-	-	-	-	1	-	-
01	COMP ZP38K5E-PFV-130	ZP38K5EPFV130	-	-	-	-	-	1	-
01	COMP ZP44K5E-PFV-130	ZP44K5EPFV130	-	-	-	-	-	-	1
02	MOTOR COND 1/12 HP 800	1184595	1	-	-	-	-	-	-
02	MOTOR COND 1/10 HP 825	1184596	-	1	1	-	-	-	-
02	MOTOR COND 1/12 HP 800	1184597	-	-	-	1	-	-	-
02	MOTOR COND 1/5 HP 810	1184598	-	-	-	-	1	-	-
02	MOTOR COND 1/4 HP 825	1184599	-	-	-	-	-	1	1
03	FAN C 24" 3B 1/2" 15 INT	1173721	1	-	-	-	-	-	-
03	FAN C 24" 3B 1/2"	1184625	-	1	1	-	-	-	-
03	FAN C 26" 3B 1/2" 16 INT	1174940	-	-	-	1	-	-	-
03	FAN C 26" 3B 1/2" 21 INT	1173661	-	-	-	-	1	-	-
03	FAN C 26" 3B 1/2" 24 INT	1172716	-	-	-	-	-	1	1
04	CONTACTOR 1P 30A 24V W/SHUNT	1172472	1	1	1	1	1	1	-
04	CONTACTOR 1P 40A	1176763	-	-	-	-	-	-	1
05	CAP RN RD 370V 5+30	1172109	1	-	-	-	-	-	-
05	CAP RN RD 370V 5+35	1172110	-	1	-	-	-	-	-
05	CAP RN RD 370V 5+40	1172147	-	-	1	-	-	-	-
05	CAP RN RD 370V 5+45	1172124	-	-	-	1	1	-	-
05	CAP RN RD 370V 7.5+45	1172291	-	-	-	-	-	1	-
05	CAP RN RD 370V 7.5+70	1172295	-	-	-	-	-	-	1
06	COIL ASY COND	1183632	1	-	-	-	-	-	-
06	COIL ASY COND	1183623	-	1	-	-	-	-	-
06	COIL ASY COND	1183358	-	-	1	-	-	-	-
06	COIL ASY COND	1183624	-	-	-	1	-	-	-
06	COIL ASY COND	1183625	-	-	-	-	1	-	-
06	COND COIL ASY	1179157	-	-	-	-	-	1	-
06	COIL ASY COND	1183627	-	-	-	-	-	-	1
07	VALVE SVC PARK SUC 12S-12S	1172726	1	1	1	-	-	-	-
07	VALVE SVC PARK SUC 14S-14S	1172727	-	-	-	1	1	1	1
08	VALVE SVC PARK LIQ 06S-06S	1172792	1	1	1	1	1	1	1
09	PLUG COMP WIRE (SM) 12GAx44"	1172731	1	1	1	1	-	-	-
09	PLUG COMP WIRE (SM) 12GAx54"	1172793	-	-	-	-	1	-	-
09	PLUG COMPRESSOR	1176563	-	-	-	-	-	1	-
09	PLUG COMP WIRE (SM) 10GAx54"	1172732	-	-	-	-	-	-	1
10	ISOLATOR VIBRATION	1172271	4	4	4	4	4	4	4
11	NUT HEX WASHER FACE 5/16-18	1174289	4	4	4	4	4	4	4

CSA6 PARTS LIST									
KEY NO.	DESCRIPTION	PART NO.	CSA618GKA100	CSA624GKA100	CSA630GKA100	CSA636GKA100	CSA642GKA100	CSA648GKA100	CSA660GKA100
17	SWITCH ASY LO PRESSURE	1184613	1	1	1	1	1	1	1
19	SWITCH ASY HI PRESSURE	1184614	1	1	1	1	1	1	1
20	DISTRIBUTOR	1173998	-	-	-	-	-	1	1
20	DISTRIBUTOR	1176638	-	-	-	-	-	1	1
22	THERMISTOR ASY	1184605	1	1	1	1	1	1	1
24	FILTER DRIER ASY	1184615	1	1	1	1	1	1	-
24	FILTER DRIER ASY	1184616	-	-	-	-	-	-	1
26	BOARD CONTROL	1184600	1	1	1	1	1	1	1
27	JACKET SOUND	1172015	1	1	1	1	-	-	-
27	JACKET SOUND	1173986	-	-	-	-	1	-	-
27	JACKET SOUND	1172014	-	-	-	-	-	1	1
32	RACEWAY	1175919	1	1	1	1	1	1	1
33	LUG GROUND	1172300	1	1	1	1	1	1	1
34	HARNESS ASY WIRE	1184604	1	1	1	1	1	1	1
35	HTR CC WP 40W240V TCH-245	1173944	-	-	-	-	-	1	1
36	SWITCH TEMP DISC O85 C65	1173669	-	-	-	-	-	1	1
42	HARNESS ASY WIRE	1184602	1	1	1	1	1	1	1
A	TOP COVER ASY	1183097	1	1	1	-	-	-	-
A	TOP COVER ASY	1183317	-	-	-	1	1	1	1
B	NUT HEX 8-32 KNURL MTR MTG	1172217	4	4	4	4	4	4	4
C1	GRILLE INLET	1178628	1	1	-	-	-	-	-
C1	GRILLE INLET	1178724	-	-	1	-	-	-	-
C1	GRILLE INLET	1178629	-	-	-	1	-	-	-
C1	GRILLE INLET	1178579	-	-	-	-	1	1	-
C1	GRILLE INLET	1178698	-	-	-	-	-	-	1
C2	GRILLE INLET	1178631	2	2	-	-	-	-	-
C2	GRILLE INLET	1178726	-	-	2	-	-	-	-
C2	GRILLE INLET	1178630	-	-	-	2	-	-	-
C2	GRILLE INLET	1178580	-	-	-	-	2	2	-
C2	GRILLE INLET	1178699	-	-	-	-	-	-	2
C3	GRILLE INLET	1178627	1	1	-	-	-	-	-
C3	GRILLE INLET	1178728	-	-	1	-	-	-	-
C3	GRILLE INLET	1178613	-	-	-	1	-	-	-
C3	GRILLE INLET	1178581	-	-	-	-	1	1	-
C3	GRILLE INLET	1178700	-	-	-	-	-	-	1
D	BOX CONTROL	1184617	1	1	1	1	1	1	1
E	KIT CONTROL BOX COVER	1184618	1	-	-	-	-	-	-
E	KIT CONTROL BOX COVER	1184619	-	1	-	-	-	-	-
E	KIT CONTROL BOX COVER	1184620	-	-	1	-	-	-	-
E	KIT CONTROL BOX COVER	1184621	-	-	-	1	-	-	-
E	KIT CONTROL BOX COVER	1184622	-	-	-	-	1	-	-

CSA6 PARTS LIST									
KEY NO.	DESCRIPTION	PART NO.	CSA618GKA100	CSA624GKA100	CSA630GKA100	CSA636GKA100	CSA642GKA100	CSA648GKA100	CSA660GKA100
E	KIT CONTROL BOX COVER	1184623	-	-	-	-	-	1	-
E	KIT CONTROL BOX COVER	1184624	-	-	-	-	-	-	1
F	SVCE PNL ASSY	1178324	1	1	-	1	-	-	-
F	SVCE PNL ASSY	1178528	-	-	1	-	-	-	-
F	SVCE PNL ASSY	1178326	-	-	-	-	1	1	-
F	PANEL SERVICE	1178696	-	-	-	-	-	-	1
G	BASE PAN ASSY	1178308	1	1	1	-	-	-	-
G	BASE PAN ASSY	1178309	-	-	-	1	1	1	1
J	CORNER POST ASY	1178588	3	3	-	3	-	-	-
J	COR POST ASY	1178636	-	-	3	-	-	-	-
J	CORNER POST ASY	1178575	-	-	-	-	3	3	-
J	CORNER POST ASY	1178697	-	-	-	-	-	-	3
L	GUARD FAN	1178586	1	1	1	-	-	-	-
L	GUARD FAN	1178573	-	-	-	1	1	1	1
N	SUPPORT COIL	1174068	5	5	5	5	5	5	5
P	CLAMP CAPACITOR ROUND 2.0"D	1172734	1	1	1	1	1	1	-
P	CLAMP CAPACITOR ROUND 2.5"D	1172735	-	-	-	-	-	-	1
R	CAP ASY MOTOR COMF	1183633	1	1	1	1	1	1	1
Parts Not Shown									
)	CAP SERVICE KIT 11/16-20	1175650	1	1	1	1	1	1	1
)	CAP SERVICE KIT 15/16-20	1175651	1	1	1	-	-	-	-
)	CAP SERVICE KIT 1-1/16-20	1175652	-	-	-	1	1	1	1
)	DRIER FILTER SUCT LINE 8.0 CI	1174194	1	1	1	1	1	1	-
)	DRIER FILTER SUCT LINE 15.0 CI	1174193	-	-	-	-	-	-	1
)	PAINT TOUCH UP BALTIC GRY 1 PT	1178322	1	1	1	1	1	1	1

HSA6 PARTS LIST									
KEY NO.	DESCRIPTION	PART NO.	HSA618GKA100	HSA624GKA100	HSA630GKA100	HSA636GKA100	HSA642GKA100	HSA648GKA100	HSA660GKA100
01	COMP ZP16K5E-PFV-130	ZP16K5EPFV130	1	-	-	-	-	-	-
01	COMP ZP20K5E-PFV-130	ZP20K5EPFV130	-	1	-	-	-	-	-
01	COMP ZP24K5E-PFV-130	ZP24K5EPFV130	-	-	1	-	-	-	-
01	COMP ZP29K5E-PFV-130	ZP29K5EPFV130	-	-	-	1	-	-	-
01	COMP ZP34K5E-PFV-130	ZP34K5EPFV130	-	-	-	-	1	-	-
01	COMP ZP38K5E-PFV-130	ZP38K5EPFV130	-	-	-	-	-	1	-
01	COMP ZP44K5E-PFV-130	ZP44K5EPFV130	-	-	-	-	-	-	1
02	MOTOR COND 1/12 HP 800	1184595	1	-	-	-	-	-	-
02	MOTOR COND 1/10 HP 825	1184596	-	1	1	-	-	-	-
02	MOTOR COND 1/12 HP 800	1184597	-	-	-	1	-	-	-
02	MOTOR COND 1/5 HP 810	1184598	-	-	-	-	1	-	-
02	MOTOR COND 1/4 HP 825	1184599	-	-	-	-	-	1	1
03	FAN C 24" 3B 1/2" 15 INT	1173721	1	-	-	-	-	-	-
03	FAN C 24" 3B 1/2"	1184625	-	1	1	-	-	-	-
03	FAN C 26" 3B 1/2" 16 INT	1174940	-	-	-	1	-	-	-
03	FAN C 26" 3B 1/2" 21 INT	1173661	-	-	-	-	1	-	-
03	FAN C 26" 3B 1/2" 24 INT	1172716	-	-	-	-	-	1	1
04	CONTACTOR 1P 30A 24V W/SHUNT	1172472	1	1	1	1	1	1	-
04	CONTACTOR 1P 40A	1176763	-	-	-	-	-	-	1
05	CAP RN RD 370V 5+30	1172109	1	-	-	-	-	-	-
05	CAP RN RD 370V 5+35	1172110	-	1	-	-	-	-	-
05	CAP RN RD 370V 5+40	1172147	-	-	1	-	-	-	-
05	CAP RN RD 370V 5+45	1172124	-	-	-	1	1	-	-
05	CAP RN RD 370V 7.5+45	1172291	-	-	-	-	-	1	-
05	CAP RN RD 370V 7.5+70	1172295	-	-	-	-	-	-	1
06	COIL ASY COND	1183632	1	-	-	-	-	-	-
06	COIL ASY COND	1183623	-	1	-	-	-	-	-
06	COIL ASY COND	1183358	-	-	1	-	-	-	-
06	COIL ASY COND	1183624	-	-	-	1	-	-	-
06	COIL ASY COND	1183625	-	-	-	-	1	-	-
06	COND COIL ASY	1179157	-	-	-	-	-	1	-
06	COIL ASY COND	1183627	-	-	-	-	-	-	1
07	VALVE SVC PARK SUC 12S-12S	1172726	1	1	1	-	-	-	-
07	VALVE SVC PARK SUC 14S-14S	1172727	-	-	-	1	1	1	1
08	VALVE SVC PARK LIQ 06S-06S	1172792	1	1	1	1	1	1	1
09	PLUG COMP WIRE (SM) 12GAx44"	1172731	1	1	1	1	-	-	-
09	PLUG COMP WIRE (SM) 12GAx54"	1172793	-	-	-	-	1	-	-
09	PLUG COMPRESSOR	1176563	-	-	-	-	-	1	-
09	PLUG COMP WIRE (SM) 10GAx54"	1172732	-	-	-	-	-	-	1
10	ISOLATOR VIBRATION	1172271	4	4	4	4	4	4	4
11	NUT HEX WASHER FACE 5/16-18	1174289	4	4	4	4	4	4	4

HSA6 PARTS LIST

KEY NO.	DESCRIPTION	PART NO.							
			HSA618GKA100	HSA624GKA100	HSA630GKA100	HSA636GKA100	HSA642GKA100	HSA648GKA100	HSA660GKA100
17	SWITCH ASY LO PRESSURE	1184613	1	1	1	1	1	1	1
19	SWITCH ASY HI PRESSURE	1184614	1	1	1	1	1	1	1
20	DISTRIBUTOR	1173998	-	-	-	-	-	1	1
20	DISTRIBUTOR	1176638	-	-	-	-	-	1	1
22	THERMISTOR ASY	1184605	1	1	1	1	1	1	1
24	FILTER DRIER ASY	1184615	1	1	1	1	1	1	-
24	FILTER DRIER ASY	1184616	-	-	-	-	-	-	1
26	BOARD CONTROL	1184600	1	1	1	1	1	1	1
27	JACKET SOUND	1172015	1	1	1	1	-	-	-
27	JACKET SOUND	1173986	-	-	-	-	1	-	-
27	JACKET SOUND	1172014	-	-	-	-	-	1	1
32	RACEWAY	1175919	1	1	1	1	1	1	1
33	LUG GROUND	1172300	1	1	1	1	1	1	1
34	HARNESS ASY WIRE	1184604	1	1	1	1	1	1	1
35	HTR CC WP 40W240V TCH-245	1173944	-	-	-	-	-	1	1
36	SWITCH TEMP DISC O85 C65	1173669	-	-	-	-	-	1	1
42	HARNESS ASY WIRE	1184602	1	1	1	1	1	1	1
A	TOP COVER ASY	1177914	1	1	1	-	-	-	-
A	TOP COVER ASSY	1178327	-	-	-	1	1	1	1
B	NUT HEX 8-32 KNURL MTR MTG	1172217	4	4	4	4	4	4	4
C1	GRILLE INLET	1177419	1	1	-	-	-	-	-
C1	GRILLE INLET HEIL	1176706	-	-	1	-	-	-	-
C1	GRILLE INLET	1177492	-	-	-	1	-	-	-
C1	GRILLE INLET	1177491	-	-	-	-	1	1	-
C1	GRILLE INLET	1178807	-	-	-	-	-	-	1
C2	GRILLE INLET	1177969	2	2	-	-	-	-	-
C2	GRILLE INLET	1178057	-	-	2	-	-	-	-
C2	GRILLE INLET HEIL	1176701	-	-	-	2	-	-	-
C2	GRILLE INLET HEIL	1176702	-	-	-	-	2	2	-
C2	GRILLE INLET	1178807	-	-	-	-	-	-	2
C3	GRILLE INLET	1177972	1	1	-	-	-	-	-
C3	GRILLE INLET	1178060	-	-	1	-	-	-	-
C3	GRILLE INLET	1177495	-	-	-	1	-	-	-
C3	GRILLE INLET	1177494	-	-	-	-	1	1	-
C3	GRILLE INLET	1178808	-	-	-	-	-	-	1
D	BOX CONTROL	1184617	1	1	1	1	1	1	1
E	KIT CONTROL BOX COVER	1184618	1	-	-	-	-	-	-
E	KIT CONTROL BOX COVER	1184619	-	1	-	-	-	-	-
E	KIT CONTROL BOX COVER	1184620	-	-	1	-	-	-	-
E	KIT CONTROL BOX COVER	1184621	-	-	-	1	-	-	-
E	KIT CONTROL BOX COVER	1184622	-	-	-	-	1	-	-

HSA6 PARTS LIST									
KEY NO.	DESCRIPTION	PART NO.	HSA618GKA100	HSA624GKA100	HSA630GKA100	HSA636GKA100	HSA642GKA100	HSA648GKA100	HSA660GKA100
E	KIT CONTROL BOX COVER	1184623	-	-	-	-	-	1	-
E	KIT CONTROL BOX COVER	1184624	-	-	-	-	-	-	1
F	SVCE PNL ASSY	1178324	1	1	-	1	-	-	-
F	SVCE PNL ASSY	1178528	-	-	1	-	-	-	-
F	SVCE PNL ASSY	1178326	-	-	-	-	1	1	-
F	PANEL SERVICE	1178696	-	-	-	-	-	-	1
G	BASE PAN ASSY	1178308	1	1	1	-	-	-	-
G	BASE PAN ASSY	1178309	-	-	-	1	1	1	1
J	COR POST ASSY	1178312	3	3	-	3	-	-	-
J	COR POST ASSY	1178529	-	-	3	-	-	-	-
J	COR POST ASSY	1178314	-	-	-	-	3	3	-
J	POST ASY CORNER	1178805	-	-	-	-	-	-	3
L	FAN GUARD	1177893	1	1	1	-	-	-	-
L	GUARD FAN	1174032	-	-	-	1	1	1	1
N	SUPPORT COIL	1174068	5	5	5	5	5	5	5
P	CLAMP CAPACITOR ROUND 2.0"D	1172734	1	1	1	1	1	1	-
P	CLAMP CAPACITOR ROUND 2.5"D	1172735	-	-	-	-	-	-	1
R	CAP ASY MOTOR HEIL	1183637	1	1	1	1	1	1	1
Parts Not Shown									
)	CAP SERVICE KIT 11/16-20	1175650	1	1	1	1	1	1	1
)	CAP SERVICE KIT 15/16-20	1175651	1	1	1	-	-	-	-
)	CAP SERVICE KIT 1-1/16-20	1175652	-	-	-	1	1	1	1
)	DRIER FILTER SUCT LINE 8.0 CI	1174194	1	1	1	1	1	1	-
)	DRIER FILTER SUCT LINE 15.0 CI	1174193	-	-	-	-	-	-	1
)	PAINT TOUCH UP BALTIC GRY 1 PT	1178322	1	1	1	1	1	1	1

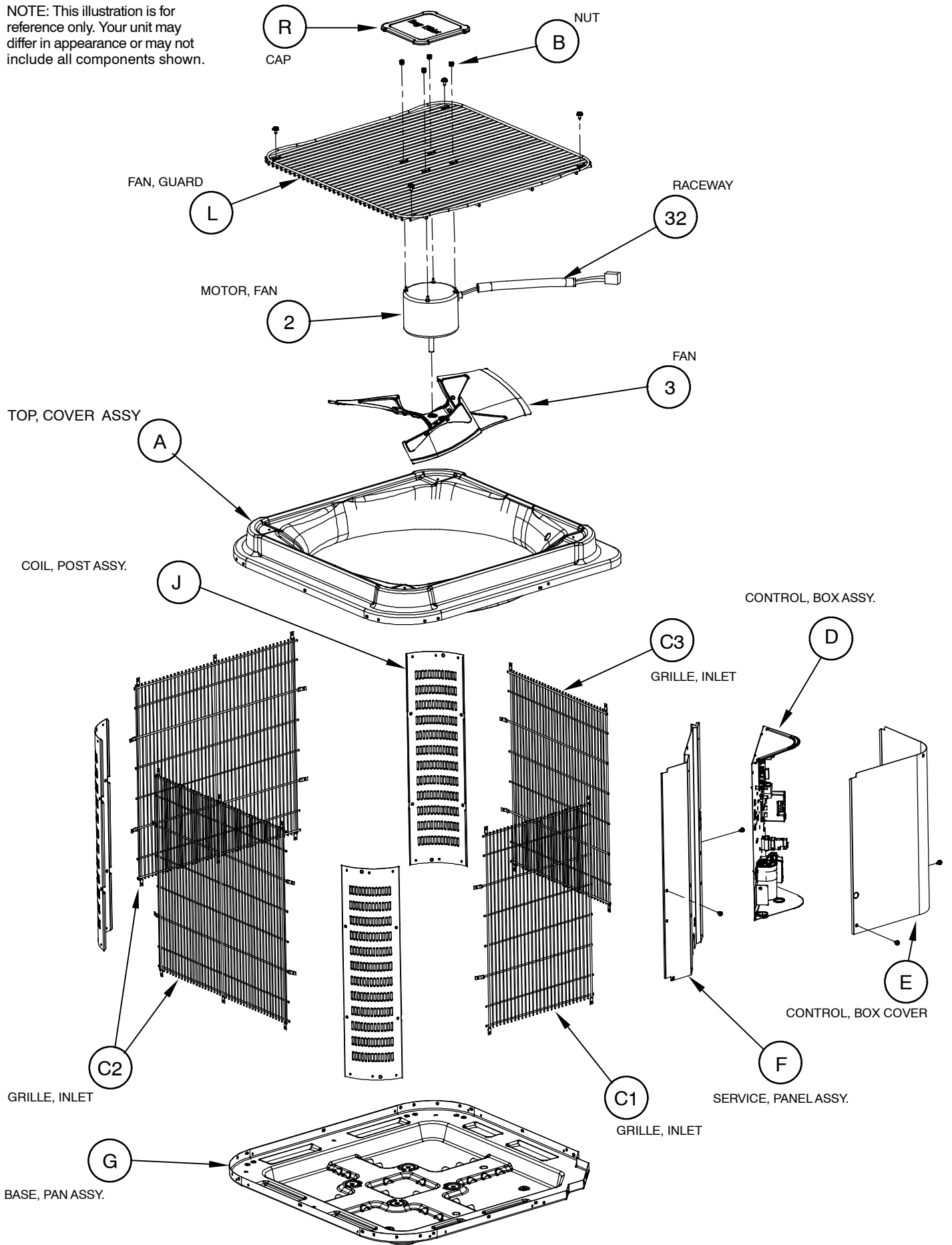
TSA6 PARTS LIST

KEY NO.	DESCRIPTION	PART NO.	TSA618GKA100	TSA624GKA100	TSA630GKA100	TSA636GKA100	TSA642GKA100	TSA648GKA100	TSA660GKA100
01	COMP ZP16K5E-PFV-130	ZP16K5EPFV130	1	-	-	-	-	-	-
01	COMP ZP20K5E-PFV-130	ZP20K5EPFV130	-	1	-	-	-	-	-
01	COMP ZP24K5E-PFV-130	ZP24K5EPFV130	-	-	1	-	-	-	-
01	COMP ZP29K5E-PFV-130	ZP29K5EPFV130	-	-	-	1	-	-	-
01	COMP ZP34K5E-PFV-130	ZP34K5EPFV130	-	-	-	-	1	-	-
01	COMP ZP38K5E-PFV-130	ZP38K5EPFV130	-	-	-	-	-	1	-
01	COMP ZP44K5E-PFV-130	ZP44K5EPFV130	-	-	-	-	-	-	1
02	MOTOR COND 1/12 HP 800	1184595	1	-	-	-	-	-	-
02	MOTOR COND 1/10 HP 825	1184596	-	1	1	-	-	-	-
02	MOTOR COND 1/12 HP 800	1184597	-	-	-	1	-	-	-
02	MOTOR COND 1/5 HP 810	1184598	-	-	-	-	1	-	-
02	MOTOR COND 1/4 HP 825	1184599	-	-	-	-	-	1	1
03	FAN C 24" 3B 1/2" 15 INT	1173721	1	-	-	-	-	-	-
03	FAN C 24" 3B 1/2"	1184625	-	1	1	-	-	-	-
03	FAN C 26" 3B 1/2" 16 INT	1174940	-	-	-	1	-	-	-
03	FAN C 26" 3B 1/2" 21 INT	1173661	-	-	-	-	1	-	-
03	FAN C 26" 3B 1/2" 24 INT	1172716	-	-	-	-	-	1	1
04	CONTACTOR 1P 30A 24V W/SHUNT	1172472	1	1	1	1	1	1	-
04	CONTACTOR 1P 40A	1176763	-	-	-	-	-	-	1
05	CAP RN RD 370V 5+30	1172109	1	-	-	-	-	-	-
05	CAP RN RD 370V 5+35	1172110	-	1	-	-	-	-	-
05	CAP RN RD 370V 5+40	1172147	-	-	1	-	-	-	-
05	CAP RN RD 370V 5+45	1172124	-	-	-	1	1	-	-
05	CAP RN RD 370V 7.5+45	1172291	-	-	-	-	-	1	-
05	CAP RN RD 370V 7.5+70	1172295	-	-	-	-	-	-	1
06	COIL ASY COND	1183632	1	-	-	-	-	-	-
06	COIL ASY COND	1183623	-	1	-	-	-	-	-
06	COIL ASY COND	1183358	-	-	1	-	-	-	-
06	COIL ASY COND	1183624	-	-	-	1	-	-	-
06	COIL ASY COND	1183625	-	-	-	-	1	-	-
06	COND COIL ASY	1179157	-	-	-	-	-	1	-
06	COIL ASY COND	1183627	-	-	-	-	-	-	1
07	VALVE SVC PARK SUC 12S-12S	1172726	1	1	1	-	-	-	-
07	VALVE SVC PARK SUC 14S-14S	1172727	-	-	-	1	1	1	1
08	VALVE SVC PARK LIQ 06S-06S	1172792	1	1	1	1	1	1	1
09	PLUG COMP WIRE (SM) 12GAx44"	1172731	1	1	1	1	-	-	-
09	PLUG COMP WIRE (SM) 12GAx54"	1172793	-	-	-	-	1	-	-
09	PLUG COMPRESSOR	1176563	-	-	-	-	-	1	-
09	PLUG COMP WIRE (SM) 10GAx54"	1172732	-	-	-	-	-	-	1
10	ISOLATOR VIBRATION	1172271	4	4	4	4	4	4	4
11	NUT HEX WASHER FACE 5/16-18	1174289	4	4	4	4	4	4	4

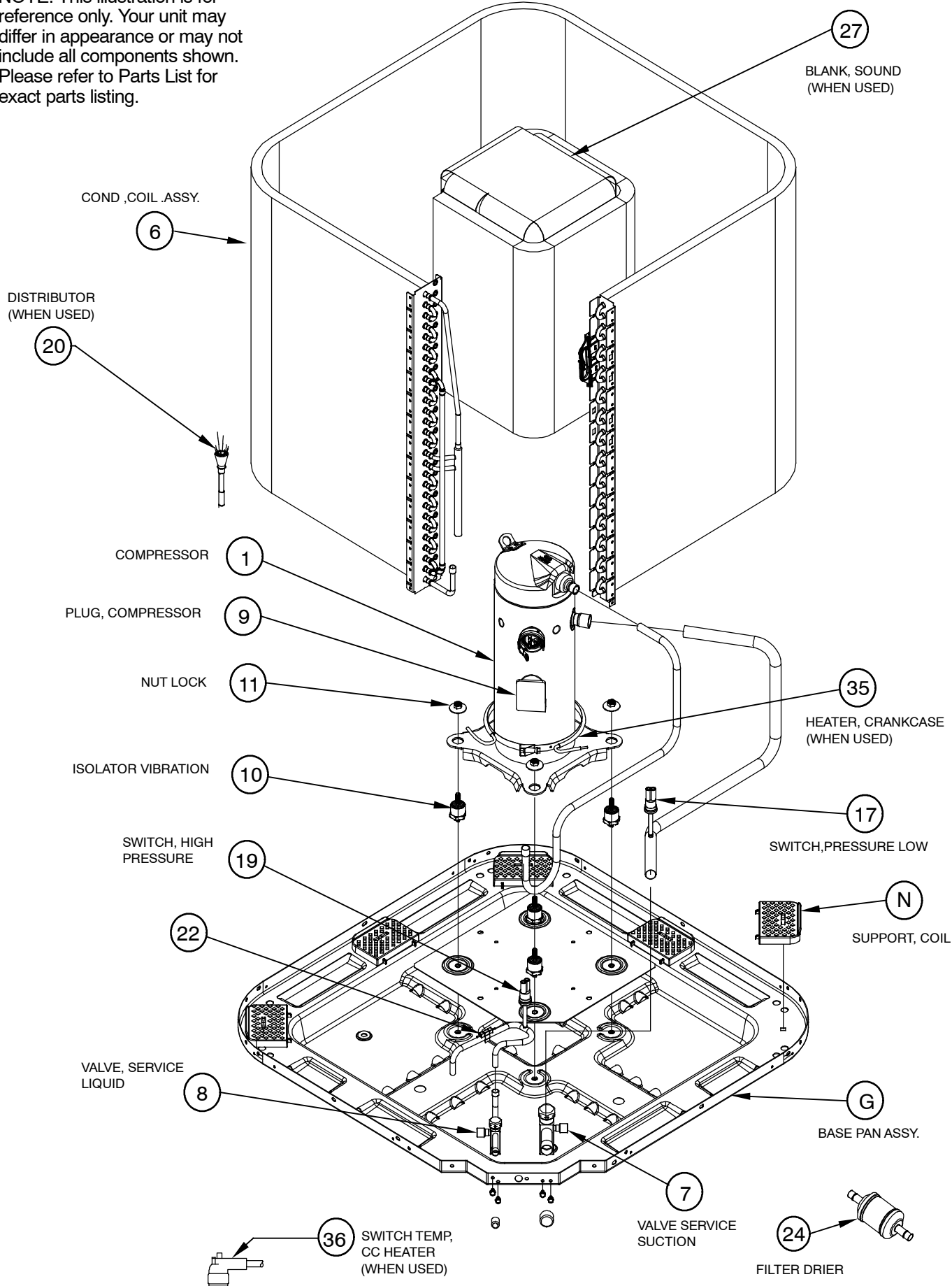
TSA6 PARTS LIST									
KEY NO.	DESCRIPTION	PART NO.	TSA618GKA100	TSA624GKA100	TSA630GKA100	TSA636GKA100	TSA642GKA100	TSA648GKA100	TSA660GKA100
17	SWITCH ASY LO PRESSURE	1184613	1	1	1	1	1	1	1
19	SWITCH ASY HI PRESSURE	1184614	1	1	1	1	1	1	1
20	DISTRIBUTOR	1173998	-	-	-	-	-	1	1
20	DISTRIBUTOR	1176638	-	-	-	-	-	1	1
22	THERMISTOR ASY	1184605	1	1	1	1	1	1	1
24	FILTER DRIER ASY	1184615	1	1	1	1	1	1	-
24	FILTER DRIER ASY	1184616	-	-	-	-	-	-	1
26	BOARD CONTROL	1184600	1	1	1	1	1	1	1
27	JACKET SOUND	1172015	1	1	1	1	-	-	-
27	JACKET SOUND	1173986	-	-	-	-	1	-	-
27	JACKET SOUND	1172014	-	-	-	-	-	1	1
32	RACEWAY	1175919	1	1	1	1	1	1	1
33	LUG GROUND	1172300	1	1	1	1	1	1	1
34	HARNESS ASY WIRE	1184604	1	1	1	1	1	1	1
35	HTR CC WP 40W240V TCH-245	1173944	-	-	-	-	-	1	1
36	SWITCH TEMP DISC O85 C65	1173669	-	-	-	-	-	1	1
42	HARNESS ASY WIRE	1184602	1	1	1	1	1	1	1
A	TOP COVER ASY	1183097	1	1	1	-	-	-	-
A	TOP COVER ASY	1183317	-	-	-	1	1	1	1
B	NUT HEX 8-32 KNURL MTR MTG	1172217	4	4	4	4	4	4	4
C1	GRILLE INLET	1177422	1	1	-	-	-	-	-
C1	GRILLE INLET	1176722	-	-	1	-	-	-	-
C1	GRILLE INLET	1177573	-	-	-	1	-	-	-
C1	GRILLE INLET	1177575	-	-	-	-	1	1	-
C1	GRILLE INLET	1178809	-	-	-	-	-	-	1
C2	GRILLE INLET	1177970	2	2	-	-	-	-	-
C2	GRILLE INLET	1178058	-	-	2	-	-	-	-
C2	GRILLE INLET	1176716	-	-	-	2	-	-	-
C2	GRILLE INLET	1176717	-	-	-	-	2	2	-
C2	GRILLE INLET	1176450	-	-	-	-	-	-	2
C3	GRILLE INLET	1177973	1	1	-	-	-	-	-
C3	GRILLE INLET	1178061	-	-	1	-	-	-	-
C3	GRILLE INLET	1177576	-	-	-	1	-	-	-
C3	GRILLE INLET	1177578	-	-	-	-	1	1	-
C3	GRILLE INLET	1178810	-	-	-	-	-	-	1
D	BOX CONTROL	1184617	1	1	1	1	1	1	1
E	KIT CONTROL BOX COVER	1184618	1	-	-	-	-	-	-
E	KIT CONTROL BOX COVER	1184619	-	1	-	-	-	-	-
E	KIT CONTROL BOX COVER	1184620	-	-	1	-	-	-	-
E	KIT CONTROL BOX COVER	1184621	-	-	-	1	-	-	-
E	KIT CONTROL BOX COVER	1184622	-	-	-	-	1	-	-

TSA6 PARTS LIST									
KEY NO.	DESCRIPTION	PART NO.	TSA618GKA100	TSA624GKA100	TSA630GKA100	TSA636GKA100	TSA642GKA100	TSA648GKA100	TSA660GKA100
E	KIT CONTROL BOX COVER	1184623	-	-	-	-	-	1	-
E	KIT CONTROL BOX COVER	1184624	-	-	-	-	-	-	1
F	SVCE PNL ASSY	1178324	1	1	-	1	-	-	-
F	SVCE PNL ASSY	1178528	-	-	1	-	-	-	-
F	SVCE PNL ASSY	1178326	-	-	-	-	1	1	-
F	PANEL SERVICE	1178696	-	-	-	-	-	-	1
G	BASE PAN ASSY	1178308	1	1	1	-	-	-	-
G	BASE PAN ASSY	1178309	-	-	-	1	1	1	1
J	CORNER POST ASY	1178547	3	3	-	3	-	-	-
J	COR POST ASY	1178637	-	-	3	-	-	-	-
J	CORNER POST ASY	1178583	-	-	-	-	3	3	-
J	POST ASY CORNER	1178806	-	-	-	-	-	-	3
L	FAN GUARD	1177894	1	1	1	-	-	-	-
L	FAN GUARD	1177572	-	-	-	1	1	1	1
N	SUPPORT COIL	1174068	5	5	5	5	5	5	5
P	CLAMP CAPACITOR ROUND 2.0"D	1172734	1	1	1	1	1	1	-
P	CLAMP CAPACITOR ROUND 2.5"D	1172735	-	-	-	-	-	-	1
R	CAP ASY MOTOR TEMPSTAR	1183638	1	1	1	1	1	1	1
Parts Not Shown									
)	CAP SERVICE KIT 11/16-20	1175650	1	1	1	1	1	1	1
)	CAP SERVICE KIT 15/16-20	1175651	1	1	1	-	-	-	-
)	CAP SERVICE KIT 1-1/16-20	1175652	-	-	-	1	1	1	1
)	DRIER FILTER SUCT LINE 8.0 CI	1174194	1	1	1	1	1	1	-
)	DRIER FILTER SUCT LINE 15.0 CI	1174193	-	-	-	-	-	-	1
)	PAINT TOUCH UP BALTIC GRY 1 PT	1178322	1	1	1	1	1	1	1

NOTE: This illustration is for reference only. Your unit may differ in appearance or may not include all components shown.



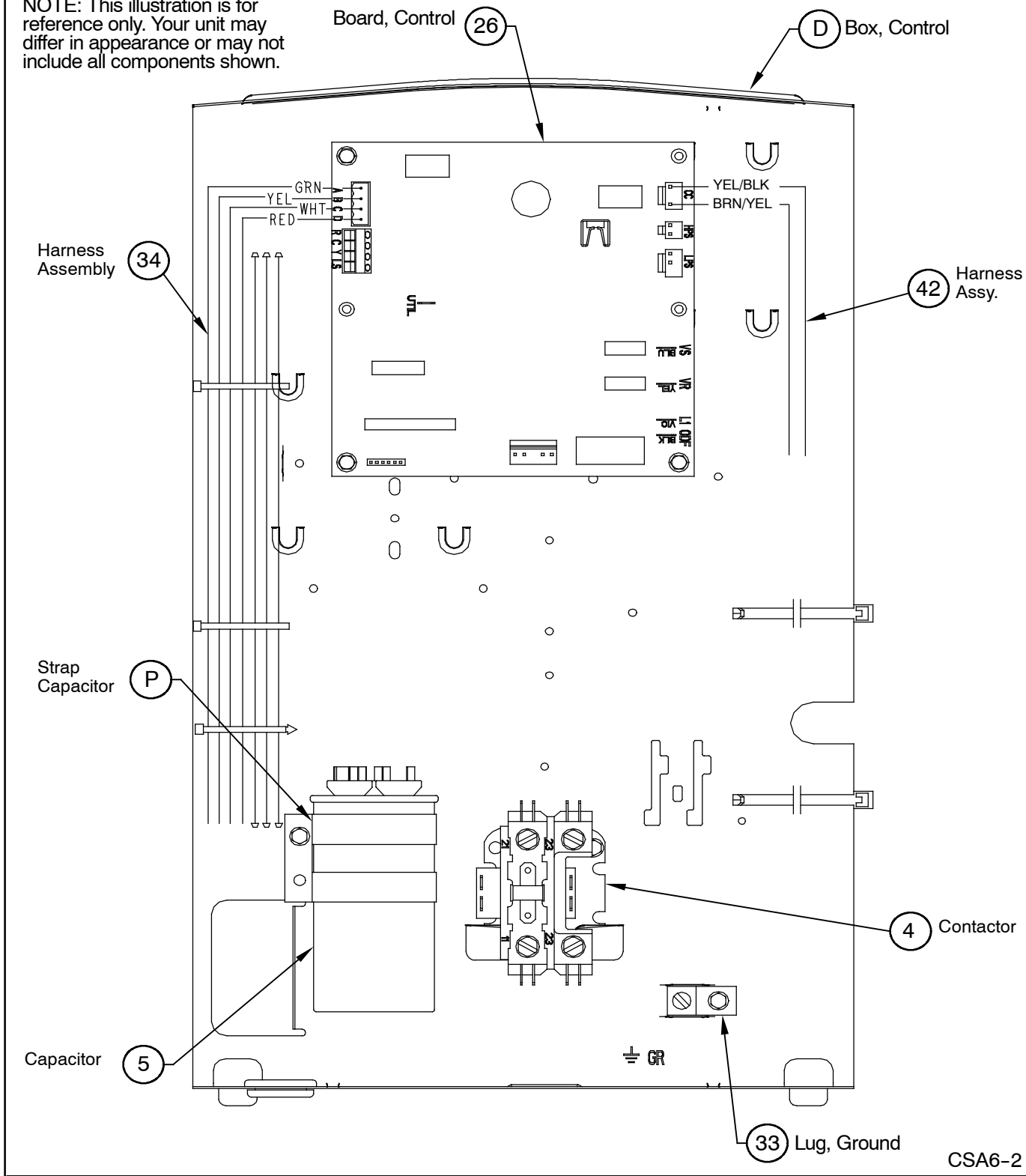
NOTE: This illustration is for reference only. Your unit may differ in appearance or may not include all components shown. Please refer to Parts List for exact parts listing.



CSA6-1

A/C. HP CONTROL BOX

NOTE: This illustration is for reference only. Your unit may differ in appearance or may not include all components shown.



International Comfort Products, LLC
Lewisburg, Tennessee 37091 USA

COOLING Multiplying Factors for other Indoor Combinations

(C,H,T)SA618

Indoor Model	Furnace Model	CAPACITY (MBh)	Power (AMPS)	Indoor Model	Furnace Model	CAPACITY (MBh)	Power (AMPS)
*EN(A,D)4X19*17**		1.00	1.00	EHD4X30A**		1.02	0.92
EA*4X18*14A*	*8MV*0701412**	0.96	0.9	EN(A,D)4X18*14**	*9MV*1002116A**	0.97	0.91
EA*4X18*14A*	*8MX*0451408**	0.97	0.91	EN(A,D)4X18*14**	*8MV*0701412**	0.98	0.92
EA*4X18*14A*	*9MV*0401410A**	0.96	0.92	EN(A,D)4X18*14**	*8MX*0451408**	0.97	0.93
EA*4X18*14A*	*9MX*0401410A**	0.95	0.91	EN(A,D)4X18*14**	*9MV*0401410A**	0.96	0.92
EA*4X18*14A*	MV08B15**B*	0.97	0.89	EN(A,D)4X18*14**	MV08B15**B*	0.98	0.89
EA*4X18*14A*	*8MPV050	0.99	0.93	EN(A,D)4X18*14**	*8MPV050	1.00	0.94
EA*4X18*14A*		0.97	0.98	EN(A,D)4X18*14**		0.98	1.00
EA*4X24*14A*	*8MV*0701412**	0.98	0.92	EN(A,D)4X19*17**	*8MV*0701412**	0.98	0.89
EA*4X24*14A*	*8MX*0451408**	1.00	0.90	EN(A,D)4X19*17**	*8MV*0901716**	0.99	0.89
EA*4X24*14A*	*9MV*0401410A**	0.98	0.92	EN(A,D)4X19*17**	*8MX*0451408**	1.01	0.91
EA*4X24*14A*	*9MX*0401410A**	0.98	0.92	EN(A,D)4X19*17**	*9MA*0601714A**	0.99	0.91
EA*4X24*14A*	MV08B15**B*	0.99	0.89	EN(A,D)4X19*17**	*9MA*0801714A**	0.98	0.89
EA*4X24*14A*	*8MPV050	1.02	0.94	EN(A,D)4X19*17**	*9MV*0401410A**	0.99	0.93
EA*4X24*14A*		0.99	1.01	EN(A,D)4X19*17**	*9MV*0601714A**	1.01	0.91
EA*4X24*17A*	*8MV*0701412**	0.98	0.92	EN(A,D)4X19*17**	*9MV*0801716A**	1.02	0.92
EA*4X24*17A*	*8MV*0901716**	0.98	0.88	EN(A,D)4X19*17**	*9MX*0401410A**	0.98	0.92
EA*4X24*17A*	*8MX*0451408**	1.00	0.90	EN(A,D)4X19*17**	MV08B15**B*	1.00	0.89
EA*4X24*17A*	*9MA*0601714A**	0.98	0.92	EN(A,D)4X19*17**	*8MPV050	1.03	0.93
EA*4X24*17A*	*9MA*0801714A**	0.97	0.91	EN(A,D)4X19*17**	*9MPV050	1.03	0.93
EA*4X24*17A*	*9MV*0401410A**	0.99	0.93	EN(A,D)4X19*17**	*9MPV075	1.03	0.93
EA*4X24*17A*	*9MV*0601714A**	1.00	0.92	EN(A,D)4X19*17**	*9MVX040	1.03	0.97
EA*4X24*17A*	*9MV*0801716A**	1.01	0.91	EN(A,D)4X19*17**	*9MVX060	1.04	0.94
EA*4X24*17A*	*9MX*0401410A**	0.98	0.92	EN(A,D)4X19*17**	OLV098A12A	1.01	0.91
EA*4X24*17A*	MV08B15**B*	0.99	0.89	EN(A,D)4X19*17**	OMV098J12A	1.02	0.92
EA*4X24*17A*	*8MPV050	1.02	0.94	EN(A,D)4X24*14**	*8MV*0701412**	0.98	0.92
EA*4X24*17A*	*9MPV050	1.02	0.94	EN(A,D)4X24*14**	*8MX*0451408**	0.99	0.90
EA*4X24*17A*	*9MPV075	1.02	0.94	EN(A,D)4X24*14**	*9MV*0401410A**	0.98	0.92
EA*4X24*17A*	OLV098A12A	1.00	0.94	EN(A,D)4X24*14**	*9MX*0401410A**	0.97	0.91
EA*4X24*17A*	OMV098J12A	1.01	0.91	EN(A,D)4X24*14**	MV08B15**B*	0.99	0.89
EA*4X24*17A*		0.99	1.01	EN(A,D)4X24*14**	*8MPV050	1.02	0.94
EA*4X30*14A*	*9MV*0401410A**	0.99	0.93	EN(A,D)4X24*14**		0.99	1.01
EA*4X30*14A*	*9MX*0401410A**	0.98	0.92	EN(A,D)4X24*17**	*8MV*0701412**	0.98	0.92
EA*4X30*17A*	*9MA*0601714A**	0.98	0.92	EN(A,D)4X24*17**	*8MV*0901716**	0.98	0.89

COOLING Multiplying Factors for other Indoor Combinations

Indoor Model	Furnace Model	Capacity (MBh)	Power (AMPS)	Indoor Model	Furnace Model	Capacity (MBh)	Power (AMPS)
EA*4X30*17A*	*9MA*0801714A**	0.97	0.91	EN(A,D)4X24*17**	*8MX*0451408**	0.99	0.93
EA*4X30*17A*	*9MV*0401410A**	0.99	0.93	EN(A,D)4X24*17**	*9MA*0601714A**	0.98	0.92
EA*4X30*17A*	*9MV*0601714A**	1.01	0.91	EN(A,D)4X24*17**	*9MA*0801714A**	0.98	0.92
EA*4X30*17A*	*9MV*0801716A**	1.02	0.92	EN(A,D)4X24*17**	*9MV*0401410A**	0.98	0.92
EA*4X30*17A*	*9MX*0401410A**	0.98	0.92	EN(A,D)4X24*17**	*9MV*0601714A**	0.99	0.93
ED*4X18B**	*8MV*0701412**	0.96	0.90	EN(A,D)4X24*17**	*9MV*0801716A**	1.00	0.90
ED*4X18B**	*8MX*0451408**	0.97	0.91	EN(A,D)4X24*17**	*9MX*0401410A**	0.97	0.91
ED*4X18B**	*9MV*0401410A**	0.96	0.92	EN(A,D)4X24*17**	MV08B15**B*	0.99	0.89
ED*4X18B**	*9MX*0401410A**	0.95	0.91	EN(A,D)4X24*17**	*8MPV050	1.02	0.94
ED*4X18B**	MV08B15**B*	0.97	0.89	EN(A,D)4X24*17**	*9MPV050	1.02	0.94
ED*4X18B**	*8MPV050	0.99	0.93	EN(A,D)4X24*17**	*9MPV075	1.02	0.94
ED*4X18B**		0.97	1.01	EN(A,D)4X24*17**	*9MVX040	1.02	0.95
ED*4X24B**	*8MV*0701412**	0.98	0.90	EN(A,D)4X24*17**	*9MVX060	1.02	0.95
ED*4X24B**	*8MX*0451408**	1.00	0.90	EN(A,D)4X24*17**	OLV098A12A	1.00	0.94
ED*4X24B**	*9MV*0401410A**	0.98	0.92	EN(A,D)4X24*17**	OMV098J12A	1.01	0.95
ED*4X24B**	*9MX*0401410A**	0.98	0.92	EN(A,D)4X24*17**		0.99	1.01
ED*4X24B**	MV08B15**B*	0.99	0.89	EN(A,D)4X30*14**	*9MV*0401410A**	0.99	0.93
ED*4X24B**	*8MPV050	1.02	0.94	EN(A,D)4X30*14**	*9MX*0401410A**	0.98	0.92
ED*4X24B**		0.99	1.01	EN(A,D)4X30*17**	*9MA*0601714A**	0.98	0.92
ED*4X24F**	*8MV*0901716**	0.98	0.88	EN(A,D)4X30*17**	*9MA*0801714A**	0.97	0.91
ED*4X24F**	*9MA*0601714A**	0.98	0.90	EN(A,D)4X30*17**	*9MV*0401410A**	0.99	0.93
ED*4X24F**	*9MA*0602120A**	0.98	0.91	EN(A,D)4X30*17**	*9MV*0601714A**	1.01	0.91
ED*4X24F**	*9MA*0801714A**	0.97	0.90	EN(A,D)4X30*17**	*9MV*0801716A**	1.02	0.92
ED*4X24F**	*9MV*0601714A**	1.00	0.90	EN(A,D)4X30*17**	*9MX*0401410A**	0.98	0.92
ED*4X24F**	*9MV*0801716A**	1.01	0.91	ENH4X24*17**	*8MV*0701412**	0.98	0.92
ED*4X24F**	*9MV*0802120A**	1.01	0.90	ENH4X24*17**	*8MV*0901716**	0.98	0.89
ED*4X24F**	MV08B15**B*	0.99	0.89	ENH4X24*17**	*8MX*0451408**	0.99	0.93
ED*4X24F**	*8MPV050	1.02	0.94	ENH4X24*17**	*9MA*0601714A**	0.98	0.92
ED*4X24F**	*9MPV050	1.02	0.94	ENH4X24*17**	*9MA*0801714A**	0.98	0.92
ED*4X24F**	*9MPV075	1.02	0.94	ENH4X24*17**	*9MV*0401410A**	0.98	0.92
ED*4X24F**	*9MV*1002116A**	1.02	0.92	ENH4X24*17**	*9MV*0601714A**	0.99	0.93
ED*4X24F**	*9MVX040	1.02	0.94	ENH4X24*17**	*9MV*0801716A**	1.00	0.90
ED*4X24F**	*9MVX060	1.02	0.94	ENH4X24*17**	*9MV*1202422A**	1.01	0.91
ED*4X24F**	OLV098A12A	1.00	0.90	ENH4X24*17**	*9MX*0401410A**	0.97	0.91
ED*4X24F**	OMV098J12A	1.01	0.91	ENH4X24*17**	MV08B15**B*	0.99	0.89

COOLING Multiplying Factors for other Indoor Combinations

Indoor Model	Furnace Model	CAPACITY (MBh)	Power (AMPS)	Indoor Model	Furnace Model	CAPACITY (MBh)	Power (AMPS)
EHD4X24F**		0.99	1.01	ENH4X24*17**	*8MPV050	1.02	0.94
ED*4X30F**	*9MA*0602120A**	0.98	0.91	ENH4X24*17**	*9MPV050	1.02	0.94
ED*4X30F**	*9MV*0802120A**	1.03	0.91	ENH4X24*17**	*9MPV075	1.02	0.94
EHD4X24A**	*8MV*0701412**	0.98	0.89	ENH4X24*17**	*9MV*1002116A**	1.01	0.91
EHD4X24A**	*8MV*0901716**	0.99	0.89	ENH4X24*17**	*9MVX040	1.02	0.95
EHD4X24A**	*8MX*0451408**	1.00	0.90	ENH4X24*17**	*9MVX060	1.02	0.95
EHD4X24A**	*9MA*0601714A**	0.99	0.93	ENH4X24*17**	OLV098A12A	1.00	0.94
EHD4X24A**	*9MA*0602120A**	0.99	0.92	ENH4X24*17**	OMV098J12A	1.01	0.95
EHD4X24A**	*9MA*0801714A**	0.98	0.92	ENH4X24*17**		0.99	1.01
EHD4X24A**	*9MV*0401410A**	0.99	0.93	ENH4X30*17**	*9MA*0601714A**	0.98	0.92
EHD4X24A**	*9MV*0601714A**	0.99	0.93	ENH4X30*17**	*9MA*0801714A**	0.97	0.91
EHD4X24A**	*9MV*0801716A**	0.99	0.90	ENH4X30*17**	*9MV*0401410A**	0.99	0.93
EHD4X24A**	*9MV*0802120A**	1.01	0.91	ENH4X30*17**	*9MV*0601714A**	1.01	0.91
EHD4X24A**	*9MV*1002120A**	1.01	0.91	ENH4X30*17**	*9MV*0801716A**	1.02	0.92
EHD4X24A**	*9MV*1202422A**	1.01	0.91	ENH4X30*17**	*9MV*1202422A**	1.03	0.93
EHD4X24A**	*9MX*0401410A**	0.98	0.92	ENH4X30*17**	*9MX*0401410A**	0.98	0.92
EHD4X24A**	MV08B15**B*	1.00	0.89	ENH4X30*17**	*9MV*1002116A**	1.02	0.92
EHD4X24A**	*8MPV050	1.02	0.94	FCM4X24****		1.00	0.90
EHD4X24A**	*9MPV050	1.02	0.94	FEA4X18**A*		0.99	0.93
EHD4X24A**	*9MPV075	1.02	0.94	FEA4X24**A*		1.01	0.91
EHD4X24A**	*9MV*1002116A**	1.01	0.91	FEA4X30**A*		1.00	0.94
EHD4X24A**	*9MVX040	1.03	0.96	FEA4X36**A*		1.01	0.94
EHD4X24A**	*9MVX060	1.02	0.96	FEM4P18**A*		0.99	0.93
EHD4X24A**	OLV098A12A	1.01	0.94	FEM4P24**A*		0.99	0.93
EHD4X24A**	OMV098J12A	1.02	0.95	FEM4P30**A*		0.99	0.97
EHD4X30A**	*9MA*0601714A**	0.99	0.91	FEM4X18****		1.00	0.90
EHD4X30A**	*9MA*0602120A**	0.99	0.90	FEM4X24****		1.00	0.90
EHD4X30A**	*9MA*0801714A**	0.99	0.89	FS(M,U)4P18**A*		0.98	0.96
EHD4X30A**	*9MV*0401410A**	1.00	0.94	FS(M,U)4P24**A*		0.99	0.97
EHD4X30A**	*9MV*0601714A**	1.01	0.91	FSA4X18**A*		0.97	0.99
EHD4X30A**	*9MV*0601714A**	1.02	0.92	FSA4X24**A*		0.98	1.00
EHD4X30A**	*9MV*0801716A**	1.03	0.92	FVM4X24****		1.00	0.89
EHD4X30A**	*9MV*1202422A**	1.03	0.93	FXM4X18**A*		1.01	0.91
EHD4X30A**	*9MX*0401410A**	0.99	0.93	FXM4X24**A*		1.01	0.91
EHD4X30A**				FXM4X30**A*		1.01	0.95

COOLING Multiplying Factors for other Indoor Combinations

(C,H,T)SA624						
Indoor Model	Furnace Model	CAPACITY (MBh)	Power (AMPS)	Indoor Model	Furnace Model	Power (AMPS)
*EN(A,D)4X31*17**		1.00	1.00	EHD4X36A**	*9MV*0802120A**	0.92
EA*4X24*14A*	*8MV*0701412**	0.97	0.93	EHD4X36A**	*9MV*1002120A**	0.93
EA*4X24*14A*	*8MX*0451408**	0.97	0.94	EHD4X36A**	*9MV*1202422A**	0.92
EA*4X24*14A*	*9MV*0401410A**	0.97	0.97	EHD4X36A**	*9MX*0401410A**	1.01
EA*4X24*14A*	*9MX*0401410A**	0.98	0.98	EHD4X36A**	*9MX*0601714A**	0.93
EA*4X24*14A*	MV08B15**B*	0.98	0.89	EHD4X36A**	*9MA*1002120A**	0.93
EA*4X24*14A*	*8MPV050	0.99	0.98	EHD4X36A**	*9MV*1002116A**	0.92
EA*4X24*14A*		0.97	1.02	EHD4X36A**		1.00
EA*4X24*17A*	*8MV*0701412**	0.97	0.93	EN(A,D)4X19*17**	*8MV*0701412**	0.90
EA*4X24*17A*	*8MV*0901716**	0.97	0.89	EN(A,D)4X19*17**	*8MV*0901716**	0.90
EA*4X24*17A*	*8MX*0451408**	0.97	0.94	EN(A,D)4X19*17**	*8MX*0451408**	0.91
EA*4X24*17A*	*9MA*0601714A**	0.97	0.92	EN(A,D)4X19*17**		1.01
EA*4X24*17A*	*9MA*0801714A**	0.97	0.92	EN(A,D)4X24*14**	*8MV*0701412**	0.93
EA*4X24*17A*	*9MV*0401410A**	0.97	0.97	EN(A,D)4X24*14**	*8MX*0451408**	0.94
EA*4X24*17A*	*9MV*0601714A**	0.97	0.92	EN(A,D)4X24*14**	*9MV*0401410A**	0.97
EA*4X24*17A*	*9MV*0801716A**	0.98	0.91	EN(A,D)4X24*14**	*9MX*0401410A**	0.98
EA*4X24*17A*	*9MX*0401410A**	0.98	0.98	EN(A,D)4X24*14**	MV08B15**B*	0.91
EA*4X24*17A*	*9MX*0601714A**	0.97	0.90	EN(A,D)4X24*14**	*8MPV050	0.98
EA*4X24*17A*	MV08B15**B*	0.98	0.89	EN(A,D)4X24*14**		1.02
EA*4X24*17A*	*8MPV050	0.99	0.98	EN(A,D)4X24*17**	*8MV*0701412**	0.93
EA*4X24*17A*		1.00	0.94	EN(A,D)4X24*17**	*8MV*0901716**	0.89
EA*4X24*17A*	*8MPV075	0.98	0.94	EN(A,D)4X24*17**	*8MX*0451408**	0.94
EA*4X24*17A*	*9MPV050	0.99	0.95	EN(A,D)4X24*17**	*9MA*0601714A**	0.92
EA*4X24*17A*	OLV098A12A	0.97	0.94	EN(A,D)4X24*17**	*9MA*0801714A**	0.92
EA*4X24*17A*	OMV098J12A	0.98	0.94	EN(A,D)4X24*17**	*9MV*0401410A**	0.97
EA*4X24*17A*	OMV112K14A	0.97	0.90	EN(A,D)4X24*17**	*9MV*0601714A**	0.91
EA*4X24*17A*		0.97	1.02	EN(A,D)4X24*17**	*9MV*0801716A**	0.92
EA*4X30*14A*	*8MV*0701412**	0.97	0.89	EN(A,D)4X24*17**	*9MX*0401410A**	0.98
EA*4X30*14A*	*8MX*0451408**	0.98	0.94	EN(A,D)4X24*17**	*9MX*0601714A**	0.92
EA*4X30*14A*	*9MV*0401410A**	0.97	0.97	EN(A,D)4X24*17**	MV08B15**B*	0.91
EA*4X30*14A*	*9MX*0401410A**	0.99	0.99	EN(A,D)4X24*17**	MV12F19**B*	0.91
EA*4X30*14A*	MV08B15**B*	0.99	0.90	EN(A,D)4X24*17**	*8MPV050	0.98
EA*4X30*14A*	*8MPV050	1.00	0.96	EN(A,D)4X24*17**	*8MPV075	0.94
EA*4X30*14A*		0.98	1.01	EN(A,D)4X24*17**	*9MPV050	0.94

COOLING Multiplying Factors for other Indoor Combinations

Indoor Model	Furnace Model	CAPACITY (MBh)	Power (AMPS)	Indoor Model	Furnace Model	CAPACITY (MBh)	Power (AMPS)
EA*4X30*17A*	*8MV*0701412**	0.97	0.90	EN(A,D)4X24*17**	*9MPV075	0.98	0.94
EA*4X30*17A*	*8MV*0901716**	0.97	0.90	EN(A,D)4X24*17**	*9MVX040	0.97	0.94
EA*4X30*17A*	*8MX*0451408**	0.98	0.91	EN(A,D)4X24*17**	*9MVX060	0.97	0.94
EA*4X30*17A*	*9MA*0601714A**	0.98	0.94	EN(A,D)4X24*17**	OLV098A12A	0.98	0.94
EA*4X30*17A*	*9MA*0801714A**	0.97	0.90	EN(A,D)4X24*17**	OMV098J12A	0.98	0.94
EA*4X30*17A*	*9MV*0401410A**	0.98	0.98	EN(A,D)4X24*17**	OMV112K14A	0.97	0.94
EA*4X30*17A*	*9MV*0601714A**	0.98	0.91	EN(A,D)4X24*17**		0.97	1.02
EA*4X30*17A*	*9MV*0801716A**	0.99	0.92	EN(A,D)4X30*14**	*8MV*0701412**	0.97	0.90
EA*4X30*17A*	*9MX*0401410A**	0.99	0.99	EN(A,D)4X30*14**	*8MX*0451408**	0.98	0.94
EA*4X30*17A*	*9MX*0601714A**	0.99	0.92	EN(A,D)4X30*14**	*9MV*0401410A**	0.97	0.97
EA*4X30*17A*	MV*08B15**B*	0.99	0.90	EN(A,D)4X30*14**	*9MX*0401410A**	0.99	0.99
EA*4X30*17A*	MV12F19**B*	0.99	0.90	EN(A,D)4X30*14**	MV08B15**B*	0.99	0.90
EA*4X30*17A*	*8MPV050	1.01	0.97	EN(A,D)4X30*14**	*8MPV050	1.00	0.96
EA*4X30*17A*	*8MPV075	1.01	0.93	EN(A,D)4X30*14**		0.98	1.01
EA*4X30*17A*	*9MPV050	0.99	0.94	EN(A,D)4X30*17**	*8MV*0701412**	0.97	0.90
EA*4X30*17A*	*9MPV075	1.00	0.94	EN(A,D)4X30*17**	*8MV*0901716**	0.97	0.90
EA*4X30*17A*	OLV098A12A	0.98	0.91	EN(A,D)4X30*17**	*8MX*0451408**	0.98	0.91
EA*4X30*17A*	OMV098J12A	0.99	0.92	EN(A,D)4X30*17**	*9MA*0601714A**	0.98	0.91
EA*4X30*17A*	OMV112K14A	0.97	0.90	EN(A,D)4X30*17**	*9MA*0801714A**	0.97	0.90
EA*4X36*14A*		0.98	1.01	EN(A,D)4X30*17**	*9MV*0401410A**	0.98	0.98
EA*4X36*14A*	*8MV*0701412**	0.97	0.90	EN(A,D)4X30*17**	*9MV*0601714A**	0.98	0.91
EA*4X36*14A*	*8MX*0451408**	0.98	0.91	EN(A,D)4X30*17**	*9MV*0801716A**	0.99	0.92
EA*4X36*14A*	*9MV*0401410A**	0.98	0.98	EN(A,D)4X30*17**	*9MX*0401410A**	0.99	0.99
EA*4X36*14A*	*9MX*0401410A**	0.99	0.99	EN(A,D)4X30*17**	*9MX*0601714A**	0.99	0.92
EA*4X36*14A*		0.98	1.01	EN(A,D)4X30*17**	MV08B15**B*	0.99	0.90
EA*4X36*17A*	*8MV*0701412**	0.97	0.90	EN(A,D)4X30*17**	MV12F19**B*	0.99	0.90
EA*4X36*17A*	*8MV*0901716**	0.97	0.90	EN(A,D)4X30*17**	*8MPV050	1.00	0.96
EA*4X36*17A*	*8MX*0451408**	0.99	0.92	EN(A,D)4X30*17**	*8MPV075	1.01	0.93
EA*4X36*17A*	*9MA*0601714A**	0.98	0.91	EN(A,D)4X30*17**	*9MPV050	0.99	0.94
EA*4X36*17A*	*9MA*0801714A**	0.98	0.91	EN(A,D)4X30*17**	*9MPV075	1.00	0.94
EA*4X36*17A*	*9MV*0401410A**	0.98	0.98	EN(A,D)4X30*17**	*9MVX040	0.98	0.94
EA*4X36*17A*	*9MV*0601714A**	0.99	0.92	EN(A,D)4X30*17**	*9MVX060	1.00	0.96
EA*4X36*17A*	*9MV*0801716A**	0.99	0.92	EN(A,D)4X30*17**	OLV098A12A	0.98	0.91
EA*4X36*17A*	*9MX*0401410A**	1.00	1.00	EN(A,D)4X30*17**	OMV098J12A	0.99	0.92
EA*4X36*17A*	*9MX*0601714A**	0.99	0.92	EN(A,D)4X30*17**	OMV112K14A	0.98	0.91

COOLING Multiplying Factors for other Indoor Combinations

Indoor Model	Furnace Model	CAPACITY (MBh)	Power (AMPS)	Indoor Model	Furnace Model	CAPACITY (MBh)	Power (AMPS)
EA*4X36*17A*		0.98	1.01	EN(A,D)4X30*17**		0.98	1.01
EA*4X36*21A*	*8MV*0901716**	0.97	0.90	EN(A,D)4X31*17**	*8MV*0701412**	0.99	0.92
EA*4X36*21A*	*8MV*1102120**	0.98	0.91	EN(A,D)4X31*17**	*8MV*0901716**	0.99	0.92
EA*4X36*21A*	*9MA*0601714A**	0.98	0.91	EN(A,D)4X31*17**	*8MX*0451408**	1.01	0.93
EA*4X36*21A*	*9MA*0602120A**	0.99	0.92	EN(A,D)4X31*17**	*9MA*0601714A**	1.00	0.92
EA*4X36*21A*	*9MA*0801714A**	0.98	0.91	EN(A,D)4X31*17**	*9MA*0801714A**	0.99	0.92
EA*4X36*21A*	*9MA*0802120A**	1.00	0.91	EN(A,D)4X31*17**	*9MV*0401410A**	1.00	0.96
EA*4X36*21A*	*9MA*1002122A**	1.00	0.91	EN(A,D)4X31*17**	*9MV*0601714A**	1.00	0.92
EA*4X36*21A*	*9MV*0601714A**	0.99	0.92	EN(A,D)4X31*17**	*9MV*0801716A**	1.01	0.92
EA*4X36*21A*	*9MV*0801716A**	1.00	0.92	EN(A,D)4X31*17**	*9MX*0401410A**	1.02	1.02
EA*4X36*21A*	*9MV*0802120A**	1.01	0.92	EN(A,D)4X31*17**	*9MX*0601714A**	1.01	0.92
EA*4X36*21A*	*9MV*1002120A**	1.02	0.92	EN(A,D)4X31*17**	MV08B15**B*	1.01	0.90
EA*4X36*21A*	*9MX*0601714A**	0.99	0.92	EN(A,D)4X31*17**	MV12F19**B*	1.01	0.90
EA*4X36*21A*	*9MA*1002120A**	0.99	0.92	EN(A,D)4X31*17**	*8MPV050	1.02	0.96
EA*4X36*21A*	*9MV*1002116A**	1.00	0.92	EN(A,D)4X31*17**	*8MPV075	1.02	0.92
EA*4X36*21A*		0.98	1.01	EN(A,D)4X31*17**	*9MPV050	1.02	0.94
ED*4X24B**	*8MV*0701412**	0.97	0.92	EN(A,D)4X31*17**	*9MPV075	1.02	0.94
ED*4X24B**	*8MX*0451408**	0.98	0.93	EN(A,D)4X31*17**	*9MVX040	1.02	0.94
ED*4X24B**	*9MV*0401410A**	0.97	0.97	EN(A,D)4X31*17**	*9MVX060	1.02	0.94
ED*4X24B**	*9MX*0401410A**	0.98	0.98	EN(A,D)4X31*17**	OLV098A12A	1.00	0.92
ED*4X24B**	MV08B15**B*	0.98	0.89	EN(A,D)4X31*17**	OMV098J12A	1.01	0.93
ED*4X24B**	*8MPV050	0.99	0.98	EN(A,D)4X31*17**	OMV112K14A	1.00	0.92
ED*4X24B**		0.98	1.03	EN(A,D)4X36*21**	*8MV*0901716**	0.97	0.90
ED*4X24F**	*8MV*0901716**	0.97	0.90	EN(A,D)4X36*21**	*8MV*1102120**	0.97	0.90
ED*4X24F**	*8MV*1102120**	0.97	0.90	EN(A,D)4X36*21**	*9MA*0601714A**	0.98	0.91
ED*4X24F**	*9MA*0601714A**	0.97	0.92	EN(A,D)4X36*21**	*9MA*0602120A**	0.98	0.91
ED*4X24F**	*9MA*0602120A**	0.98	0.93	EN(A,D)4X36*21**	*9MA*0801714A**	0.97	0.90
ED*4X24F**	*9MA*0801714A**	0.97	0.92	EN(A,D)4X36*21**	*9MA*0802120A**	0.99	0.92
ED*4X24F**	*9MA*0802120A**	0.98	0.91	EN(A,D)4X36*21**	*9MA*1002122A**	1.00	0.91
ED*4X24F**	*9MA*1002122A**	0.99	0.92	EN(A,D)4X36*21**	*9MV*0601714A**	0.98	0.91
ED*4X24F**	*9MV*0601714A**	0.97	0.92	EN(A,D)4X36*21**	*9MV*0801716A**	0.99	0.92
ED*4X24F**	*9MV*0801716A**	0.98	0.93	EN(A,D)4X36*21**	*9MV*0802120A**	0.99	0.92
ED*4X24F**	*9MV*0802120A**	0.98	0.91	EN(A,D)4X36*21**	*9MV*1002120A**	1.00	0.91
ED*4X24F**	*9MV*1002120A**	0.99	0.92	EN(A,D)4X36*21**	*9MX*0601714A**	0.99	0.92
ED*4X24F**	*9MX*0601714A**	0.97	0.92	EN(A,D)4X36*21**	*9MA*1002120A**	0.99	0.92

COOLING Multiplying Factors for other Indoor Combinations

Indoor Model	Furnace Model	Capacity (MBh)	Power (AMPS)	Indoor Model	Furnace Model	Capacity (MBh)	Power (AMPS)
ED*4X24F**	MV08B15**B*	0.98	0.89	EN(A,D)4X36*21**	*9MV*1002116A**	0.98	0.91
ED*4X24F**	MV12F19**B*	0.98	0.89	EN(A,D)4X36*21**		0.98	1.01
ED*4X24F**	*8MPV050	0.99	0.98	EN(A,D,W)4X36*17**	*8MV*0701412**	0.97	0.90
ED*4X24F**	*8MPV075	1.00	0.94	EN(A,D,W)4X36*17**	*8MV*0901716**	0.97	0.90
ED*4X24F**	*9MA*1002120A**	0.98	0.93	EN(A,D,W)4X36*17**	*8MX*0451408**	0.98	0.91
ED*4X24F**	*9MPV050	0.98	0.94	EN(A,D,W)4X36*17**	*9MA*0601714A**	0.98	0.91
ED*4X24F**	*9MPV075	0.99	0.95	EN(A,D,W)4X36*17**	*9MA*0801714A**	0.97	0.90
ED*4X24F**	*9MV*1002116A**	0.97	0.92	EN(A,D,W)4X36*17**	*9MV*0401410A**	0.98	0.98
ED*4X24F**	*9MVX040	0.98	0.94	EN(A,D,W)4X36*17**	*9MV*0601714A**	0.98	0.91
ED*4X24F**	*9MVX060	0.99	0.94	EN(A,D,W)4X36*17**	*9MV*0801716A**	0.99	0.92
ED*4X24F**	OLV098A12A	0.98	0.93	EN(A,D,W)4X36*17**	*9MX*0401410A**	0.99	0.99
ED*4X24F**	OMV098J12A	0.98	0.93	EN(A,D,W)4X36*17**	*9MX*0601714A**	0.99	0.92
ED*4X24F**	OMV112K14A	0.98	0.91	EN(A,D,W)4X36*17**		0.98	1.01
ED*4X24F**		0.98	1.03	ENH4X24*17**	*8MV*0701412**	0.97	0.93
ED*4X30B**	*8MV*0701412**	0.97	0.92	ENH4X24*17**	*8MV*0901716**	0.97	0.89
ED*4X30B**	*8MX*0451408**	0.99	0.94	ENH4X24*17**	*8MV*1102120**	0.97	0.93
ED*4X30B**	*9MV*0401410A**	0.97	0.96	ENH4X24*17**	*8MV*1352422**	0.97	0.93
ED*4X30B**	*9MX*0401410A**	0.99	0.99	ENH4X24*17**	*8MX*0451408**	0.97	0.94
ED*4X30B**	MV08B15**B*	0.99	0.90	ENH4X24*17**	*9MA*0601714A**	0.97	0.94
ED*4X30B**	*8MPV050	1.00	0.96	ENH4X24*17**	*9MA*0801714A**	0.97	0.92
ED*4X30B**		0.99	1.02	ENH4X24*17**	*9MA*1202422A**	0.98	0.93
ED*4X30F**	*8MV*0901716**	0.98	0.91	ENH4X24*17**	*9MV*0401410A**	0.97	0.97
ED*4X30F**	*8MV*1102120**	0.98	0.91	ENH4X24*17**	*9MV*0601714A**	0.97	0.91
ED*4X30F**	*9MA*0601714A**	0.98	0.93	ENH4X24*17**	*9MV*0801716A**	0.97	0.92
ED*4X30F**	*9MA*0602120A**	0.98	0.91	ENH4X24*17**	*9MV*1202422A**	0.97	0.90
ED*4X30F**	*9MA*0801714A**	0.97	0.90	ENH4X24*17**	*9MX*0401410A**	0.98	0.98
ED*4X30F**	*9MA*0802120A**	0.99	0.92	ENH4X24*17**	*9MX*0601714A**	0.97	0.92
ED*4X30F**	*9MA*1002122A**	0.99	0.90	ENH4X24*17**	MV08B15**B*	0.98	0.91
ED*4X30F**	*9MV*0601714A**	0.98	0.93	ENH4X24*17**	MV12F19**B*	0.98	0.91
ED*4X30F**	*9MV*0801716A**	0.99	0.92	ENH4X24*17**	*8MPV050	0.99	0.98
ED*4X30F**	*9MV*0802120A**	1.00	0.92	ENH4X24*17**	*8MPV075	0.99	0.94
ED*4X30F**	*9MV*1002120A**	1.00	0.91	ENH4X24*17**	*8MPV100	1.00	0.94
ED*4X30F**	*9MX*0601714A**	0.99	0.92	ENH4X24*17**	*8MPV125	1.00	0.94
ED*4X30F**	MV08B15**B*	0.99	0.90	ENH4X24*17**	*9MA*1002120A**	0.98	0.93
ED*4X30F**	MV12F19**B*	0.99	0.90	ENH4X24*17**	*9MPV050	0.97	0.94

COOLING Multiplying Factors for other Indoor Combinations

Indoor Model	Furnace Model	CAPACITY (MBh)	Power (AMPS)	Indoor Model	Furnace Model	CAPACITY (MBh)	Power (AMPS)
ED*4X30F**	*8MPV050	1.01	0.97	ENH4X24*17**	*9MPV075	0.98	0.94
ED*4X30F**	*8MPV075	1.01	0.93	ENH4X24*17**	*9MPV100	0.99	0.95
ED*4X30F**	*9MA*1002120A**	0.99	0.92	ENH4X24*17**	*9MPV125	0.99	0.94
ED*4X30F**	*9MPV050	0.99	0.94	ENH4X24*17**	*9MV*1002116A**	0.97	0.91
ED*4X30F**	*9MPV075	1.00	0.94	ENH4X24*17**	*9MVX040	0.97	0.94
ED*4X30F**	*9MV*1002116A**	0.98	0.91	ENH4X24*17**	*9MVX060	0.97	0.94
ED*4X30F**	*9MVX040	0.99	0.94	ENH4X24*17**	*9MVX080	0.99	0.95
ED*4X30F**	*9MVX060	1.01	0.95	ENH4X24*17**	*9MVX100	0.98	0.94
ED*4X30F**	OLV098A12A	0.99	0.92	ENH4X24*17**	OLV098A12A	0.97	0.94
ED*4X30F**	OMV098J12A	0.99	0.94	ENH4X24*17**	OMV098J12A	0.98	0.94
ED*4X30F**	OMV112K14A	0.98	0.89	ENH4X24*17**	OMV112K14A	0.97	0.94
ED*4X30F**		0.99	1.02	ENH4X24*17**		0.97	1.02
ED*4X36F**	*9MA*0601714A**	0.98	0.91	ENH4X30*17**	*8MV*0701412**	0.97	0.90
ED*4X36F**	*9MA*0602120A**	0.99	0.92	ENH4X30*17**	*8MV*0901716**	0.97	0.90
ED*4X36F**	*9MA*0801714A**	0.98	0.91	ENH4X30*17**	*8MV*1102120**	0.97	0.90
ED*4X36F**	*9MA*0802120A**	1.00	0.91	ENH4X30*17**	*8MV*1352422**	0.97	0.90
ED*4X36F**	*9MA*1002122A**	1.00	0.91	ENH4X30*17**	*8MX*0451408**	0.98	0.91
ED*4X36F**	*9MV*0601714A**	0.99	0.92	ENH4X30*17**	*9MA*0601714A**	0.98	0.91
ED*4X36F**	*9MV*0801716A**	0.99	0.92	ENH4X30*17**	*9MA*0801714A**	0.97	0.90
ED*4X36F**	*9MV*0802120A**	1.00	0.91	ENH4X30*17**	*9MA*1202422A**	0.99	0.92
ED*4X36F**	*9MV*1002120A**	1.01	0.92	ENH4X30*17**	*9MV*0401410A**	0.98	0.98
ED*4X36F**	*9MX*0601714A**	0.99	0.92	ENH4X30*17**	*9MV*0601714A**	0.98	0.91
ED*4X36F**	*9MA*1002116A**	0.99	0.92	ENH4X30*17**	*9MV*0801716A**	0.99	0.92
ED*4X36F**		0.98	1.01	ENH4X30*17**	*9MV*1202422A**	1.00	0.92
EHD4X24A**	*8MV*0701412**	0.97	0.90	ENH4X30*17**	*9MX*0401410A**	0.99	0.99
EHD4X24A**	*8MV*0901716**	0.98	0.91	ENH4X30*17**	*9MX*0601714A**	0.99	0.92
EHD4X24A**	*8MV*1102120**	0.97	0.94	ENH4X30*17**	MV08B15**B*	0.99	0.90
EHD4X24A**	*8MV*1352422**	0.98	0.91	ENH4X30*17**	MV12F19**B*	0.99	0.90
EHD4X24A**	*8MX*0451408**	0.98	0.94	ENH4X30*17**	*8MPV050	1.00	0.96
EHD4X24A**	*9MA*0601714A**	0.98	0.93	ENH4X30*17**	*8MPV075	1.01	0.93
EHD4X24A**	*9MA*0602120A**	0.99	0.94	ENH4X30*17**	*8MPV100	1.02	0.92
EHD4X24A**	*9MA*0801714A**	0.98	0.91	ENH4X30*17**	*8MPV125	1.02	0.92
EHD4X24A**	*9MA*0802120A**	1.00	0.92	ENH4X30*17**	*9MA*1002120A**	0.99	0.92
EHD4X24A**	*9MA*1002122A**	1.00	0.92	ENH4X30*17**	*9MPV050	0.99	0.94
EHD4X24A**		1.00	0.92	ENH4X30*17**	*9MPV075	1.00	0.94

COOLING Multiplying Factors for other Indoor Combinations

Indoor Model	Furnace Model	CAPACITY (MBh)	Power (AMPS)	Indoor Model	Furnace Model	CAPACITY (MBh)	Power (AMPS)
EHD4X24A**	*9MA*1202422A**	0.99	0.92	ENH4X30*17**	*9MPV100	1.01	0.95
EHD4X24A**	*9MV*0401410A**	0.97	0.97	ENH4X30*17**	*9MPV125	1.02	0.94
EHD4X24A**	*9MV*0601714A**	0.97	0.94	ENH4X30*17**	*9MV*1002116A**	0.98	0.91
EHD4X24A**	*9MV*0801716A**	0.98	0.91	ENH4X30*17**	*9MVX040	0.98	0.94
EHD4X24A**	*9MV*0802120A**	0.97	0.90	ENH4X30*17**	*9MVX060	1.00	0.96
EHD4X24A**	*9MV*1002120A**	0.97	0.90	ENH4X30*17**	*9MVX080	0.99	0.92
EHD4X24A**	*9MV*1202422A**	0.97	0.90	ENH4X30*17**	*9MVX100	1.01	0.93
EHD4X24A**	*9MX*0401410A**	0.99	0.99	ENH4X30*17**	OLV098A12A	0.98	0.91
EHD4X24A**	*9MX*0601714A**	0.97	0.92	ENH4X30*17**	OMV098J12A	0.99	0.92
EHD4X24A**	MV08B15**B*	1.00	0.91	ENH4X30*17**	OMV112K14A	0.98	0.91
EHD4X24A**	MV12F19**B*	1.00	0.91	ENH4X30*17**		0.98	1.01
EHD4X24A**	*8MPV050	1.00	0.96	ENH4X31*17**	*8MV*0701412**	0.99	0.92
EHD4X24A**	*8MPV075	1.00	0.94	ENH4X31*17**	*8MV*0901716**	0.99	0.92
EHD4X24A**	*8MPV100	1.01	0.93	ENH4X31*17**	*8MV*1102120**	0.99	0.92
EHD4X24A**	*8MPV125	1.01	0.93	ENH4X31*17**	*8MV*1352422**	0.99	0.92
EHD4X24A**	*9MA*1002120A**	1.00	0.92	ENH4X31*17**	*8MX*0451408**	1.01	0.93
EHD4X24A**	*9MPV050	0.98	0.94	ENH4X31*17**	*9MA*0601714A**	1.00	0.92
EHD4X24A**	*9MPV075	0.99	0.95	ENH4X31*17**	*9MA*0801714A**	0.99	0.92
EHD4X24A**	*9MPV100	1.00	0.94	ENH4X31*17**	*9MA*1202422A**	1.01	0.92
EHD4X24A**	*9MPV125	1.00	0.94	ENH4X31*17**	*9MV*0401410A**	1.00	0.96
EHD4X24A**	*9MV*1002116A**	0.97	0.91	ENH4X31*17**	*9MV*0601714A**	1.01	0.93
EHD4X24A**	*9MVX040	0.98	0.94	ENH4X31*17**	*9MV*0801716A**	1.01	0.92
EHD4X24A**	*9MVX060	0.98	0.94	ENH4X31*17**	*9MV*1202422A**	1.02	0.92
EHD4X24A**	*9MVX080	1.00	0.96	ENH4X31*17**	*9MX*0401410A**	1.02	1.02
EHD4X24A**	*9MVX100	0.99	0.95	ENH4X31*17**	*9MX*0601714A**	1.01	0.93
EHD4X24A**	OLV098A12A	0.98	0.94	ENH4X31*17**	MV08B15**B*	1.01	0.90
EHD4X24A**	OMV098J12A	0.98	0.94	ENH4X31*17**	MV12F19**B*	1.01	0.90
EHD4X24A**	OMV112K14A	0.98	0.98	ENH4X31*17**	*8MPV050	1.02	0.96
EHD4X30A**	*8MV*0701412**	0.97	0.90	ENH4X31*17**	*8MPV075	1.02	0.92
EHD4X30A**	*8MV*0901716**	0.98	0.91	ENH4X31*17**	*8MPV100	1.02	0.90
EHD4X30A**	*8MV*1102120**	0.98	0.91	ENH4X31*17**	*8MPV125	1.02	0.90
EHD4X30A**	*8MV*1352422**	0.98	0.91	ENH4X31*17**	*9MA*1002120A**	1.01	0.92
EHD4X30A**	*8MX*0451408**	0.98	0.91	ENH4X31*17**	*9MPV050	1.02	0.94
EHD4X30A**	*9MA*0601714A**	0.99	0.92	ENH4X31*17**	*9MPV075	1.02	0.94

COOLING Multiplying Factors for other Indoor Combinations

Indoor Model	Furnace Model	CAPACITY (MBh)	Power (AMPS)	Indoor Model	Furnace Model	CAPACITY (MBh)	Power (AMPS)
EHD4X30A**	*9MA*0602120A**	0.99	0.92	ENH4X31*17**	*9MPV125	1.02	0.92
EHD4X30A**	*9MA*0801714A**	0.98	0.91	ENH4X31*17**	*9MV*1002116A**	1.01	0.92
EHD4X30A**	*9MA*0802120A**	1.00	0.92	ENH4X31*17**	*9MVX040	1.01	0.93
EHD4X30A**	*9MA*1002122A**	1.00	0.91	ENH4X31*17**	*9MVX060	1.02	0.94
EHD4X30A**	*9MA*1202422A**	1.00	0.92	ENH4X31*17**	*9MVX080	1.02	0.94
EHD4X30A**	*9MV*0401410A**	0.98	0.98	ENH4X31*17**	*9MVX100	1.03	0.95
EHD4X30A**	*9MV*0601714A**	0.98	0.91	ENH4X31*17**	OLV098A12A	1.00	0.92
EHD4X30A**	*9MV*0801716A**	0.99	0.92	ENH4X31*17**	OMV098J12A	1.01	0.93
EHD4X30A**	*9MV*0802120A**	0.99	0.92	ENH4X31*17**	OMV112K14A	1.00	0.92
EHD4X30A**	*9MV*1002120A**	1.00	0.91	ENH4X31*17**		1.00	1.00
EHD4X30A**	*9MV*1202422A**	0.99	0.92	ENH4X36*17**	*8MV*0701412**	0.97	0.90
EHD4X30A**	*9MX*0401410A**	1.00	1.00	ENH4X36*17**	*8MV*0901716**	0.97	0.90
EHD4X30A**	*9MX*0601714A**	0.99	0.92	ENH4X36*17**	*8MV*1102120**	0.97	0.90
EHD4X30A**	MV08B15**B*	1.00	0.91	ENH4X36*17**	*8MV*1352422**	0.97	0.90
EHD4X30A**	MV12F19**B*	1.00	0.91	ENH4X36*17**	*8MX*0451408**	0.98	0.91
EHD4X30A**	*8MPV050	1.01	0.97	ENH4X36*17**	*9MA*0601714A**	0.98	0.91
EHD4X30A**	*8MPV075	1.01	0.93	ENH4X36*17**	*9MA*0801714A**	0.97	0.90
EHD4X30A**	*8MPV100	1.02	0.92	ENH4X36*17**	*9MA*1202422A**	0.99	0.92
EHD4X30A**	*8MPV125	1.02	0.92	ENH4X36*17**	*9MV*0401410A**	0.98	0.98
EHD4X30A**	*9MA*1002120A**	1.00	0.92	ENH4X36*17**	*9MV*0601714A**	0.98	0.91
EHD4X30A**	*9MPV050	1.00	0.94	ENH4X36*17**	*9MV*0801716A**	0.99	0.92
EHD4X30A**	*9MPV075	1.00	0.94	ENH4X36*17**	*9MV*1202422A**	1.00	0.92
EHD4X30A**	*9MPV100	1.02	0.96	ENH4X36*17**	*9MX*0401410A**	0.99	0.99
EHD4X30A**	*9MPV125	1.02	0.94	ENH4X36*17**	*9MX*0601714A**	0.99	0.92
EHD4X30A**	*9MV*1002116A**	0.98	0.91	ENH4X36*17**	*9MA*1002120A**	0.99	0.92
EHD4X30A**	*9MVX040	0.99	0.95	ENH4X36*17**	*9MV*1002116A**	0.98	0.91
EHD4X30A**	*9MVX060	1.00	0.96	ENH4X36*17**		0.98	1.01
EHD4X30A**	*9MVX080	1.01	0.93	FCM4X24***		0.98	0.91
EHD4X30A**	*9MVX100	1.01	0.93	*FCM4X36***		0.98	0.91
EHD4X30A**	OLV098A12A	0.99	0.92	FEA4X24**A*		0.98	0.94
EHD4X30A**	OMV098J12A	0.99	0.95	FEA4X30**A*		0.98	0.94
EHD4X30A**	OMV112K14A	0.98	0.91	FEA4X36**A*		0.99	0.95
EHD4X30A**		0.98	0.98	FEM4P24**A*		0.97	0.97
EHD4X36A**	*8MV*0701412**	0.99	0.92	FEM4P30**A*		0.99	0.92
EHD4X36A**	*8MV*0901716**	0.99	0.92	FEM4P36**A*		0.97	1.05

COOLING Multiplying Factors for other Indoor Combinations

Indoor Model	Furnace Model	CAPACITY (MBh)	Power (AMPS)	Indoor Model	Furnace Model	CAPACITY (MBh)	Power (AMPS)
EHD4X36A**	*8MV*1102120**	0.99	0.92	FEM4X24****		0.99	0.94
EHD4X36A**	*8MV*1352422**	0.99	0.92	FEM4X30****		1.00	0.92
EHD4X36A**	*8MX*0451408**	1.00	0.92	FS(M,U)4P24**A*		0.98	0.98
EHD4X36A**	*9MA*0601714A**	1.00	0.92	FS(M,U)4P30**A*		0.99	0.99
EHD4X36A**	*9MA*0602120A**	1.00	0.91	FSA4X24**A*		0.97	1.01
EHD4X36A**	*9MA*0801714A**	0.99	0.92	FSA4X30**A*		0.97	1.01
EHD4X36A**	*9MA*0802120A**	1.01	0.92	FSA4X36**A*		0.97	1.04
EHD4X36A**	*9MA*1002122A**	1.02	0.92	FVM4X24****		0.99	0.90
EHD4X36A**	*9MA*1202422A**	1.01	0.92	FVM4X36****		0.99	0.90
EHD4X36A**	*9MV*0401410A**	1.00	0.96	FXM4X24**A*		0.99	0.92
EHD4X36A**	*9MV*0601714A**	1.00	0.92	FXM4X30**A*		1.00	0.96
EHD4X36A**	*9MV*0801716A**	1.01	0.92	FXM4X36**A*		1.02	0.94

COOLING Multiplying Factors for other Indoor Combinations

Indoor Model	Furnace Model	CAPACITY (MBh)	Power (AMPS)	Indoor Model	Furnace Model	CAPACITY (MBh)	Power (AMPS)
*EN(A,D)4X31*17**		1.00	1.00	EHD4X42A**	*9MX*0601714A**	1.01	0.93
EA*4X30*14A*	*8MV*0701412**	0.97	0.93	EHD4X42A**	*9MX*0801716A**	1.01	0.94
EA*4X30*14A*	*9MV*0401410A**	0.96	1.00	EHD4X42A**	*9MA*1002120A**	1.01	0.93
EA*4X30*14A*	*9MX*0401410A**	0.96	1.03	EHD4X42A**	*9MV*1002116A**	1.01	0.93
EA*4X30*14A*	MV08B15**B*	0.98	0.90	EHD4X42A**		1.01	1.01
EA*4X30*14A*	*8MPV050	0.98	0.98	EN(A,D)4X30*14**	*8MV*0701412**	0.97	0.93
EA*4X30*14A*	*8MV*0701412**	0.98	0.98	EN(A,D)4X30*14**	*9MV*0401410A**	0.96	1.00
EA*4X30*17A*	*8MV*0901716**	0.97	0.90	EN(A,D)4X30*14**	*9MX*0401410A**	0.96	1.03
EA*4X30*17A*	*8MX*0701716**	0.98	0.94	EN(A,D)4X30*14**	MV08B15**B*	0.98	0.90
EA*4X30*17A*	*9MA*0601714A**	0.97	0.93	EN(A,D)4X30*14**	*8MPV050	0.98	0.98
EA*4X30*17A*	*9MA*0801714A**	0.98	0.92	EN(A,D)4X30*17**	*8MV*0701412**	0.97	0.93
EA*4X30*17A*	*9MV*0401410A**	0.96	1.01	EN(A,D)4X30*17**	*8MV*0901716**	0.98	0.90
EA*4X30*17A*	*9MV*0601714A**	0.97	0.93	EN(A,D)4X30*17**	*8MX*0701716**	0.98	0.94
EA*4X30*17A*	*9MV*0801716A**	0.98	0.92	EN(A,D)4X30*17**	*9MA*0601714A**	0.97	0.93
EA*4X30*17A*	*9MX*0401410A**	0.97	1.04	EN(A,D)4X30*17**	*9MA*0801714A**	0.98	0.92
EA*4X30*17A*	*9MX*0601714A**	0.98	0.94	EN(A,D)4X30*17**	*9MV*0401410A**	0.96	1.01
EA*4X30*17A*	*9MX*0801716A**	0.99	0.95	EN(A,D)4X30*17**	*9MV*0601714A**	0.97	0.93
EA*4X30*17A*	MV08B15**B*	0.98	0.89	EN(A,D)4X30*17**	*9MV*0801716A**	0.98	0.92

(C,H,T)SA630

COOLING Multiplying Factors for other Indoor Combinations

Indoor Model	Furnace Model	Indoor Model	Power (AMPS)	CAPACITY (MBh)	Power (AMPS)	Furnace Model	Indoor Model	Power (AMPS)	CAPACITY (MBh)
EA*4X30*17A*	MV12F19**B*	EN(A,D)4X30*17**	0.90	0.99	0.90	*9MX*0401410A**	EN(A,D)4X30*17**	0.90	0.97
EA*4X30*17A*	*8MPV050	EN(A,D)4X30*17**	0.98	0.98	0.98	*9MX*0601714A**	EN(A,D)4X30*17**	0.98	0.98
EA*4X30*17A*	*8MPV075	EN(A,D)4X30*17**	0.93	0.99	0.93	*9MX*0801716A**	EN(A,D)4X30*17**	0.93	0.99
EA*4X30*17A*	*9MPV050	EN(A,D)4X30*17**	0.96	0.97	0.96	MV08B15**B*	EN(A,D)4X30*17**	0.96	0.99
EA*4X30*17A*	*9MPV075	EN(A,D)4X30*17**	0.98	0.98	0.98	MV12F19**B*	EN(A,D)4X30*17**	0.98	0.99
EA*4X30*17A*	OLV098A12A	EN(A,D)4X30*17**	0.93	0.97	0.93	*8MPV050	EN(A,D)4X30*17**	0.93	0.98
EA*4X30*17A*	OMV098J12A	EN(A,D)4X30*17**	0.94	0.98	0.94	*8MPV075	EN(A,D)4X30*17**	0.94	0.99
EA*4X30*17A*	OMV112K14A	EN(A,D)4X30*17**	0.90	0.98	0.90	*9MPV050	EN(A,D)4X30*17**	0.90	0.97
EA*4X36*14A*	*8MV*0701412**	EN(A,D)4X30*17**	0.98	0.98	0.98	*9MPV075	EN(A,D)4X30*17**	0.98	0.98
EA*4X36*14A*	*9MV*0401410A**	EN(A,D)4X30*17**	0.93	0.97	0.93	*9MVX040	EN(A,D)4X30*17**	0.93	0.98
EA*4X36*14A*	*9MX*0401410A**	EN(A,D)4X30*17**	1.01	0.96	1.01	*9MVX060	EN(A,D)4X30*17**	1.01	0.98
EA*4X36*14A*	MV08B15**B*	EN(A,D)4X30*17**	0.94	0.99	0.94	OLV098A12A	EN(A,D)4X30*17**	0.94	0.98
EA*4X36*14A*	*8MPV050	EN(A,D)4X30*17**	0.91	0.99	0.91	OMV098J12A	EN(A,D)4X30*17**	0.91	0.98
EA*4X36*14A*	*8MPV075	EN(A,D)4X30*17**	0.98	0.98	0.98	OMV112K14A	EN(A,D)4X30*17**	0.98	0.98
EA*4X36*14A*	*8MV*0701412**	EN(A,D)4X30*17**	0.98	0.98	0.98		EN(A,D)4X30*17**	0.98	0.98
EA*4X36*17A*	*8MV*0901716**	EN(A,D)4X31*17**	0.90	0.98	0.90		EN(A,D)4X31*17**	0.90	0.99
EA*4X36*17A*	*8MX*0701716**	EN(A,D)4X31*17**	0.95	0.99	0.95	*8MV*0701412**	EN(A,D)4X31*17**	0.95	0.99
EA*4X36*17A*	*9MA*0601714A**	EN(A,D)4X31*17**	0.93	0.97	0.93	*8MV*0901716**	EN(A,D)4X31*17**	0.93	0.99
EA*4X36*17A*	*9MA*0801714A**	EN(A,D)4X31*17**	0.92	0.98	0.92	*8MX*0701716**	EN(A,D)4X31*17**	0.92	1.00
EA*4X36*17A*	*9MV*0401410A**	EN(A,D)4X31*17**	0.99	0.96	0.99	*9MA*0601714A**	EN(A,D)4X31*17**	0.99	0.99
EA*4X36*17A*	*9MV*0601714A**	EN(A,D)4X31*17**	0.92	0.98	0.92	*9MA*0801714A**	EN(A,D)4X31*17**	0.92	1.00
EA*4X36*17A*	*9MV*0801716A**	EN(A,D)4X31*17**	0.92	0.98	0.92	*9MV*0401410A**	EN(A,D)4X31*17**	0.92	0.99
EA*4X36*17A*	*9MX*0401410A**	EN(A,D)4X31*17**	1.04	0.97	1.04	*9MV*0601714A**	EN(A,D)4X31*17**	1.04	0.99
EA*4X36*17A*	*9MX*0601714A**	EN(A,D)4X31*17**	0.95	0.99	0.95	*9MV*0801716A**	EN(A,D)4X31*17**	0.95	1.00
EA*4X36*17A*	*9MX*0801716A**	EN(A,D)4X31*17**	0.95	0.99	0.95	*9MX*0401410A**	EN(A,D)4X31*17**	0.95	0.99
EA*4X36*17A*	MV08B15**B*	EN(A,D)4X31*17**	0.90	0.99	0.90	*9MX*0601714A**	EN(A,D)4X31*17**	0.90	1.00
EA*4X36*17A*	MV12F19**B*	EN(A,D)4X31*17**	0.90	0.99	0.90	*9MX*0801716A**	EN(A,D)4X31*17**	0.90	1.01
EA*4X36*17A*	*8MPV050	EN(A,D)4X31*17**	0.97	0.99	0.97	MV08B15**B*	EN(A,D)4X31*17**	0.97	1.01
EA*4X36*17A*	*8MPV075	EN(A,D)4X31*17**	0.94	0.99	0.94	MV12F19**B*	EN(A,D)4X31*17**	0.94	1.01
EA*4X36*17A*	*9MPV050	EN(A,D)4X31*17**	0.94	0.98	0.94	*8MPV050	EN(A,D)4X31*17**	0.94	1.01
EA*4X36*17A*		EN(A,D)4X31*17**	0.94	0.98	0.94	*8MPV075	EN(A,D)4X31*17**	0.94	1.01
EA*4X36*17A*		EN(A,D)4X31*17**	0.94	0.98	0.94	*9MPV050	EN(A,D)4X31*17**	0.94	1.00

COOLING Multiplying Factors for other Indoor Combinations

Indoor Model	Furnace Model	Indoor Model	Furnace Model	CAPACITY (MBh)	Power (AMPS)	Indoor Model	Furnace Model	CAPACITY (MBh)	Power (AMPS)
EA*4X36*17A*	*8MPV075	EN(A,D)4X31*17**	*8MPV075	0.99	0.94	EN(A,D)4X31*17**	*8MPV075	1.01	0.93
EA*4X36*17A*	*9MPV050	EN(A,D)4X31*17**	*9MPV050	0.98	0.94	EN(A,D)4X31*17**	*9MPV050	1.00	0.94
EA*4X36*17A*	*9MPV075	EN(A,D)4X31*17**	*9MPV075	0.98	0.94	EN(A,D)4X31*17**	*9MPV075	1.00	0.94
EA*4X36*17A*	OLV098A12A	EN(A,D)4X31*17**	*9MVX040	0.98	0.94	EN(A,D)4X31*17**	*9MVX040	1.00	0.96
EA*4X36*17A*	OMV098J12A	EN(A,D)4X31*17**	*9MVX060	0.98	0.94	EN(A,D)4X31*17**	*9MVX060	1.01	0.97
EA*4X36*17A*	OMV112K14A	EN(A,D)4X31*17**	OLV098A12A	0.99	0.91	EN(A,D)4X31*17**	OLV098A12A	1.00	0.92
EA*4X36*17A*	*8MV*0901716**	EN(A,D)4X31*17**	OMV098J12A	0.98	0.98	EN(A,D)4X31*17**	OMV098J12A	1.00	0.92
EA*4X36*21A*	*8MV*1102120**	EN(A,D)4X31*17**	OMV112K14A	0.98	0.90	EN(A,D)4X31*17**	OMV112K14A	1.00	0.92
EA*4X36*21A*	*8MX*0701716**	EN(A,D)4X36*21**	*8MV*0901716**	0.98	0.90	EN(A,D)4X36*21**	*8MV*0901716**	0.98	0.90
EA*4X36*21A*	*8MX*0902116**	EN(A,D)4X36*21**	*8MX*0701716**	0.99	0.92	EN(A,D)4X36*21**	*8MX*0701716**	0.98	0.90
EA*4X36*21A*	*9MA*0601714A**	EN(A,D)4X36*21**	*9MA*0601714A**	0.98	0.94	EN(A,D)4X36*21**	*8MX*0902116**	0.98	0.90
EA*4X36*21A*	*9MA*0602120A**	EN(A,D)4X36*21**	*9MA*0602120A**	0.98	0.92	EN(A,D)4X36*21**	*9MA*0601714A**	0.97	0.93
EA*4X36*21A*	*9MA*0801714A**	EN(A,D)4X36*21**	*9MA*0801714A**	0.98	0.92	EN(A,D)4X36*21**	*9MA*0602120A**	0.98	0.92
EA*4X36*21A*	*9MA*0802120A**	EN(A,D)4X36*21**	*9MA*0802120A**	0.99	0.91	EN(A,D)4X36*21**	*9MA*0801714A**	0.98	0.92
EA*4X36*21A*	*9MA*1002122A**	EN(A,D)4X36*21**	*9MA*1002122A**	0.99	0.91	EN(A,D)4X36*21**	*9MA*1002122A**	0.98	0.92
EA*4X36*21A*	*9MV*0601714A**	EN(A,D)4X36*21**	*9MV*0601714A**	0.98	0.92	EN(A,D)4X36*21**	*9MA*1002120A**	0.99	0.91
EA*4X36*21A*	*9MV*0801716A**	EN(A,D)4X36*21**	*9MV*0801716A**	0.99	0.93	EN(A,D)4X36*21**	*9MV*0601714A**	0.97	0.92
EA*4X36*21A*	*9MV*0802120A**	EN(A,D)4X36*21**	*9MV*0802120A**	0.99	0.91	EN(A,D)4X36*21**	*9MV*0801716A**	0.98	0.92
EA*4X36*21A*	*9MV*1002120A**	EN(A,D)4X36*21**	*9MV*1002120A**	0.98	0.90	EN(A,D)4X36*21**	*9MV*0802120A**	0.98	0.90
EA*4X36*21A*	*9MX*0601714A**	EN(A,D)4X36*21**	*9MX*0601714A**	0.99	0.93	EN(A,D)4X36*21**	*9MV*1002120A**	0.97	0.90
EA*4X36*21A*	*9MX*0801716A**	EN(A,D)4X36*21**	*9MX*0801716A**	0.99	0.94	EN(A,D)4X36*21**	*9MX*0601714A**	0.98	0.92
EA*4X36*21A*	MV12F19**B*	EN(A,D)4X36*21**	MV12F19**B*	0.99	0.88	EN(A,D)4X36*21**	*9MX*0801716A**	0.99	0.93
EA*4X36*21A*	*8MPV075	EN(A,D)4X36*21**	*8MPV075	0.99	0.94	EN(A,D)4X36*21**	MV12F19**B*	0.99	0.90
EA*4X36*21A*	*8MPV100	EN(A,D)4X36*21**	*8MPV100	1.00	0.91	EN(A,D)4X36*21**	*8MPV075	0.99	0.93
EA*4X36*21A*	*8MPV125	EN(A,D)4X36*21**	*8MPV125	1.00	0.91	EN(A,D)4X36*21**	*8MPV100	0.99	0.91
EA*4X36*21A*	*9MA*1002120A**	EN(A,D)4X36*21**	*9MA*1002120A**	0.99	0.93	EN(A,D)4X36*21**	*8MPV125	0.99	0.91
EA*4X36*21A*	*9MPV050	EN(A,D)4X36*21**	*9MPV050	0.98	0.94	EN(A,D)4X36*21**	*9MA*1002120A**	0.99	0.93
EA*4X36*21A*	*9MPV075	EN(A,D)4X36*21**	*9MPV075	0.99	0.95	EN(A,D)4X36*21**	*9MPV050	0.98	0.96
EA*4X36*21A*	*9MPV100	EN(A,D)4X36*21**	*9MPV100	0.99	0.92	EN(A,D)4X36*21**	*9MPV075	0.98	0.96
EA*4X36*21A*	*9MV*1002116A**	EN(A,D)4X36*21**	*9MV*1002116A**	0.99	0.93	EN(A,D)4X36*21**	*9MPV100	0.99	0.93
EA*4X36*21A*	OLV112A16A	EN(A,D)4X36*21**	OLV112A16A	0.99	0.91	EN(A,D)4X36*21**	*9MV*1002116A**	0.98	0.92
EA*4X36*21A*	*8MV*0901716**	EN(A,D)4X36*21**	*8MV*0901716**	0.98	0.98	EN(A,D)4X36*21**	*9MVX040	0.98	0.94
EA*4X42*21A*	*8MV*1102120**	EN(A,D)4X36*21**	*8MV*1102120**	0.99	0.91	EN(A,D)4X36*21**	*9MVX060	0.98	0.94
EA*4X42*21A*		EN(A,D)4X36*21**	*8MV*1102120**	0.99	0.91	EN(A,D)4X36*21**	*9MVX080	0.99	0.95

COOLING Multiplying Factors for other Indoor Combinations

Indoor Model	Furnace Model	CAPACITY (MBh)	Power (AMPS)	Indoor Model	Furnace Model	CAPACITY (MBh)	Power (AMPS)
EA*4X42*21A*	*8MX*0701716**	0.99	0.95	EN(A,D)4X36*21**	OLV112A16A	0.99	0.95
EA*4X42*21A*	*8MX*0902116**	0.99	0.92	EN(A,D)4X36*21**		0.98	0.98
EA*4X42*21A*	*9MA*0601714A**	0.98	0.92	EN(A,D)4X37*17**	*8MV*0901716**	1.01	0.93
EA*4X42*21A*	*9MA*0602120A**	0.99	0.91	EN(A,D)4X37*17**	*8MX*0701716**	1.01	0.94
EA*4X42*21A*	*9MA*0801714A**	0.99	0.93	EN(A,D)4X37*17**	*9MA*0601714A**	1.01	0.93
EA*4X42*21A*	*9MA*0802120A**	0.99	0.91	EN(A,D)4X37*17**	*9MA*0801714A**	1.01	0.93
EA*4X42*21A*	*9MA*1002122A**	0.99	0.92	EN(A,D)4X37*17**	*9MV*0401410A**	0.99	0.99
EA*4X42*21A*	*9MV*0601714A**	0.99	0.93	EN(A,D)4X37*17**	*9MV*0601714A**	1.01	0.93
EA*4X42*21A*	*9MV*0801716A**	0.99	0.92	EN(A,D)4X37*17**	*9MV*0801716A**	1.01	0.94
EA*4X42*21A*	*9MV*0802120A**	0.99	0.92	EN(A,D)4X37*17**	*9MX*0401410A**	1.01	1.05
EA*4X42*21A*	*9MV*1002120A**	0.99	0.91	EN(A,D)4X37*17**	*9MX*0601714A**	1.01	0.94
EA*4X42*21A*	*9MX*0601714A**	0.99	0.94	EN(A,D)4X37*17**	*9MX*0801716A**	1.02	0.94
EA*4X42*21A*	*9MX*0801716A**	1.00	0.94	EN(A,D)4X37*17**	MV08B15**B*	1.01	0.9
EA*4X42*21A*	*9MA*1002120A**	0.99	0.92	EN(A,D)4X37*17**	MV12F19**B*	1.01	0.89
EA*4X42*21A*	*9MV*1002116A**	0.99	0.91	EN(A,D)4X37*17**	*8MPV050	1.01	0.97
EA*4X42*21A*		0.99	1.03	EN(A,D)4X37*17**	*8MPV075	1.02	0.93
EA*4X42*24A*	*8MV*1102120**	0.99	0.91	EN(A,D)4X37*17**	*9MPV050	1.01	0.95
EA*4X42*24A*	*8MV*1352422**	0.99	0.91	EN(A,D)4X37*17**	*9MPV075	1.01	0.94
EA*4X42*24A*	*8MX*0902116**	1.00	0.92	EN(A,D)4X37*17**	*9MVX040	1.01	0.93
EA*4X42*24A*	*9MA*1202422A**	0.99	0.92	EN(A,D)4X37*17**	*9MVX060	1.02	0.94
EA*4X42*24A*	*9MV*1202422A**	0.99	0.92	EN(A,D)4X37*17**	OLV098A12A	1.01	0.93
EA*4X42*24A*	*9MA*1002120A**	0.99	0.92	EN(A,D)4X37*17**	OMV098J12A	1.01	0.93
EA*4X42*24A*	*9MV*1002116A**	0.99	0.92	EN(A,D)4X37*17**	OMV112K14A	1.01	0.94
EA*4X42*24A*		0.99	1.03	EN(A,D)4X37*17**		1.01	1.01
ED*4X30B**	*8MV*0701412**	0.97	0.92	EN(A,D,W)4X36*17**	*8MV*0701412**	0.97	0.93
ED*4X30B**	MV08B15**B*	0.98	0.90	EN(A,D,W)4X36*17**	*8MV*0901716**	0.98	0.90
ED*4X30B**	*8MPV050	0.98	0.98	EN(A,D,W)4X36*17**	*8MX*0701716**	0.98	0.94
ED*4X30F**	*8MV*0901716**	0.98	1.00	EN(A,D,W)4X36*17**	*9MA*0601714A**	0.97	0.93
ED*4X30F**	*8MV*1102120**	0.98	0.90	EN(A,D,W)4X36*17**	*9MA*0801714A**	0.98	0.92
ED*4X30F**	*8MX*0701716**	0.98	0.90	EN(A,D,W)4X36*17**	*9MV*0401410A**	0.96	1.01
ED*4X30F**	*8MX*0902116**	0.99	0.92	EN(A,D,W)4X36*17**	*9MV*0601714A**	0.97	0.92
ED*4X30F**	*9MA*0601714A**	0.97	0.93	EN(A,D,W)4X36*17**	*9MV*0801716A**	0.98	0.92
ED*4X30F**	*9MA*0602120A**	0.98	0.92	EN(A,D,W)4X36*17**	*9MX*0401410A**	0.97	1.04
ED*4X30F**	*9MA*0801714A**	0.98	0.92	EN(A,D,W)4X36*17**	*9MX*0601714A**	0.98	0.92
ED*4X30F**	*9MA*1002120A**	0.98	0.92	EN(A,D,W)4X36*17**	*9MX*0801716A**	0.99	0.93

COOLING Multiplying Factors for other Indoor Combinations

Indoor Model	Furnace Model	CAPACITY (MBh)	Power (AMPS)	Indoor Model	Furnace Model	CAPACITY (MBh)	Power (AMPS)
ED*4X30F**	*9MA*0802120A**	0.98	0.92	EN(A,D,W)4X36*17**	MV08B15**B*	0.99	0.91
ED*4X30F**	*9MA*1002122A**	0.99	0.91	EN(A,D,W)4X36*17**	MV12F19**B*	0.99	0.90
ED*4X30F**	*9MV*0601714A**	0.97	0.92	EN(A,D,W)4X36*17**	*8MPV050	0.98	0.98
ED*4X30F**	*9MV*0801716A**	0.98	0.92	EN(A,D,W)4X36*17**	*8MPV075	0.99	0.93
ED*4X30F**	*9MV*0802120A**	0.98	0.90	EN(A,D,W)4X36*17**	*9MPV050	0.97	0.96
ED*4X30F**	*9MV*1002120A**	0.97	0.90	EN(A,D,W)4X36*17**	*9MPV075	0.98	0.96
ED*4X30F**	*9MX*0601714A**	0.98	0.94	EN(A,D,W)4X36*17**	*9MVX040	0.98	0.94
ED*4X30F**	*9MX*0801716A**	0.99	0.93	EN(A,D,W)4X36*17**	*9MVX060	0.98	0.94
ED*4X30F**	MV08B15**B*	0.98	0.89	EN(A,D,W)4X36*17**	OLV098A12A	0.98	0.94
ED*4X30F**	MV12F19**B*	0.99	0.90	EN(A,D,W)4X36*17**	OMV098J12A	0.98	0.94
ED*4X30F**	*8MPV050	0.98	0.98	EN(A,D,W)4X36*17**	OMV112K14A	0.98	0.94
ED*4X30F**	*8MPV075	0.99	0.93	EN(A,D,W)4X36*17**		0.98	0.98
ED*4X30F**	*9MA*1002120A**	0.98	0.92	EN(A,D,W)4X42*21**	*8MV*0901716**	0.99	0.91
ED*4X30F**	*9MPV050	0.97	0.96	EN(A,D,W)4X42*21**	*8MV*1102120**	0.99	0.91
ED*4X30F**	*9MPV075	0.98	0.94	EN(A,D,W)4X42*21**	*8MX*0701716**	0.99	0.95
ED*4X30F**	*9MV*1002116A**	0.98	0.92	EN(A,D,W)4X42*21**	*8MX*0902116**	0.99	0.92
ED*4X30F**	*9MVX040	0.98	0.96	EN(A,D,W)4X42*21**	*9MA*0601714A**	0.98	0.92
ED*4X30F**	*9MVX060	0.98	0.94	EN(A,D,W)4X42*21**	*9MA*0602120A**	0.99	0.93
ED*4X30F**	OLV098A12A	0.97	0.92	EN(A,D,W)4X42*21**	*9MA*0801714A**	0.99	0.93
ED*4X30F**	OLV112A16A	0.99	0.93	EN(A,D,W)4X42*21**	*9MA*0802120A**	0.99	0.91
ED*4X30F**	OMV098J12A	0.98	0.94	EN(A,D,W)4X42*21**	*9MA*1002122A**	0.99	0.92
ED*4X30F**	OMV112K14A	0.98	0.90	EN(A,D,W)4X42*21**	*9MV*0601714A**	0.99	0.93
ED*4X30F**	*8MV*0701412**	0.97	1.00	EN(A,D,W)4X42*21**	*9MV*0801716A**	0.99	0.93
ED*4X36B**	MV08B15**B*	0.99	0.91	EN(A,D,W)4X42*21**	*9MV*0802120A**	0.99	0.91
ED*4X36B**	*8MPV050	0.98	0.98	EN(A,D,W)4X42*21**	*9MV*1002120A**	0.98	0.90
ED*4X36B**	*8MV*0901716**	0.98	1.00	EN(A,D,W)4X42*21**	*9MX*0601714A**	0.99	0.94
ED*4X36B**	*8MV*1102120**	0.98	0.90	EN(A,D,W)4X42*21**	*9MX*0801716A**	1.00	0.94
ED*4X36B**	*8MX*0701716**	0.99	0.93	EN(A,D,W)4X42*21**	*9MA*1002120A**	0.99	0.94
ED*4X36B**	*8MX*0902116**	0.99	0.91	END4X42*17**	*9MV*1002116A**	0.99	0.93
ED*4X36F**	*9MA*0601714A**	0.97	0.92	END4X42*17**	*8MV*0701412**	0.99	0.91
ED*4X36F**	*9MA*0602120A**	0.98	0.92	END4X42*17**	*8MV*0901716**	0.99	0.92
ED*4X36F**	*9MA*0801714A**	0.98	0.92	END4X42*17**	*8MX*0701716**	1.00	0.92
ED*4X36F**	*9MA*0802120A**	0.98	0.92	END4X42*17**	*9MA*0601714A**	0.99	0.93
ED*4X36F**		0.98	0.90	END4X42*17**	*9MA*0801714A**	0.99	0.92

COOLING Multiplying Factors for other Indoor Combinations

Indoor Model	Furnace Model	CAPACITY (MBh)	Power (AMPS)	Indoor Model	Furnace Model	CAPACITY (MBh)	Power (AMPS)
ED*4X36F**	*9MA*1002122A**	0.99	0.91	END4X42*17**	*9MV*0401410A**	0.98	0.98
ED*4X36F**	*9MV*0601714A**	0.98	0.92	END4X42*17**	*9MV*0601714A**	0.99	0.94
ED*4X36F**	*9MV*0801716A**	0.98	0.92	END4X42*17**	*9MV*0801716A**	0.99	0.92
ED*4X36F**	*9MV*0802120A**	0.99	0.91	END4X42*17**	*9MX*0401410A**	0.99	1.04
ED*4X36F**	*9MV*1002120A**	0.98	0.90	END4X42*17**	*9MX*0601714A**	1.00	0.94
ED*4X36F**	*9MX*0601714A**	0.99	0.93	END4X42*17**	*9MX*0801716A**	1.01	0.95
ED*4X36F**	*9MX*0801716A**	0.99	0.94	END4X42*17**		1.00	1.00
ED*4X36F**	MV08B15**B*	0.99	0.90	ENH4X30*17**	*8MV*0701412**	0.97	0.93
ED*4X36F**	MV12F19**B*	0.99	0.90	ENH4X30*17**	*8MV*0901716**	0.98	0.90
ED*4X36F**	*8MPV050	0.99	0.97	ENH4X30*17**	*8MV*1102120**	0.98	0.90
ED*4X36F**	*8MPV075	0.99	0.94	ENH4X30*17**	*8MV*1352422**	0.98	0.90
ED*4X36F**	*9MA*1002120A**	0.99	0.93	ENH4X30*17**	*8MX*0701716**	0.98	0.94
ED*4X36F**	*9MPV050	0.98	0.94	ENH4X30*17**	*8MX*0902116**	0.98	0.94
ED*4X36F**	*9MPV075	0.98	0.94	ENH4X30*17**	*9MA*0601714A**	0.97	0.93
ED*4X36F**	*9MV*1002116A**	0.98	0.92	ENH4X30*17**	*9MA*0801714A**	0.98	0.92
ED*4X36F**	*9MVX040	0.98	0.94	ENH4X30*17**	*9MA*1202422A**	0.98	0.92
ED*4X36F**	*9MVX060	0.99	0.95	ENH4X30*17**	*9MV*0401410A**	0.96	1.01
ED*4X36F**	OLV098A12A	0.98	0.92	ENH4X30*17**	*9MV*0601714A**	0.97	0.92
ED*4X36F**	OLV112A16A	0.99	0.93	ENH4X30*17**	*9MV*0801716A**	0.98	0.92
ED*4X36F**	OMV098J12A	0.98	0.94	ENH4X30*17**	*9MV*1202422A**	0.98	0.92
ED*4X36F**	OMV112K14A	0.99	0.91	ENH4X30*17**	*9MX*0401410A**	0.97	1.04
ED*4X36F**	*8MV*1102120**	0.98	1.00	ENH4X30*17**	*9MX*0601714A**	0.98	0.92
ED*4X36J**	*8MV*1352422**	0.98	0.90	ENH4X30*17**	*9MX*0801716A**	0.99	0.93
ED*4X36J**	*8MX*0902116**	0.99	0.89	ENH4X30*17**	MV08B15**B*	0.99	0.91
ED*4X36J**	*9MA*0602120A**	0.98	0.92	ENH4X30*17**	MV12F19**B*	0.99	0.90
ED*4X36J**	*9MA*0802120A**	0.99	0.90	ENH4X30*17**	*8MPV050	0.98	0.98
ED*4X36J**	*9MA*1002122A**	0.99	0.91	ENH4X30*17**	*8MPV075	0.99	0.93
ED*4X36J**	*9MA*1202422A**	0.99	0.91	ENH4X30*17**	*8MPV100	0.99	0.91
ED*4X36J**	*9MV*0802120A**	0.99	0.91	ENH4X30*17**	*8MPV125	0.99	0.91
ED*4X36J**	*9MV*1002120A**	0.98	0.90	ENH4X30*17**	*9MA*1002120A**	0.99	0.93
ED*4X36J**	*9MV*1202422A**	0.99	0.91	ENH4X30*17**	*9MPV050	0.97	0.96
ED*4X36J**	MV12F19**B*	0.99	0.88	ENH4X30*17**	*9MPV075	0.98	0.94
ED*4X36J**	*8MPV075	0.99	0.94	ENH4X30*17**	*9MPV100	0.99	0.93
ED*4X36J**	*8MPV100	1.00	0.91	ENH4X30*17**	*9MPV125	0.99	0.91
				ENH4X30*17**	*9MV*1002116A**	0.98	0.92

COOLING Multiplying Factors for other Indoor Combinations

Indoor Model	Furnace Model	CAPACITY (MBh)	Power (AMPS)	Indoor Model	Furnace Model	CAPACITY (MBh)	Power (AMPS)
ED*4X36J**	*8MPV125	1.00	0.91	ENH4X30*17**	*9MVX040	0.98	0.98
ED*4X36J**	*9MA*1002120A**	0.99	0.91	ENH4X30*17**	*9MVX060	0.98	0.94
ED*4X36J**	*9MPV050	0.98	0.94	ENH4X30*17**	*9MVX080	0.99	0.95
ED*4X36J**	*9MPV075	0.99	0.95	ENH4X30*17**	*9MVX100	0.99	0.91
ED*4X36J**	*9MPV100	0.99	0.92	ENH4X30*17**	OLV098A12A	0.98	0.94
ED*4X36J**	*9MPV125	0.99	0.92	ENH4X30*17**	OLV112A16A	0.99	0.95
ED*4X36J**	*9MV*1002116A**	0.99	0.91	ENH4X30*17**	OMV098J12A	0.98	0.94
ED*4X36J**	*9MVX040	0.98	0.94	ENH4X30*17**	OMV112K14A	0.98	0.94
ED*4X36J**	*9MVX060	0.99	0.95	ENH4X30*17**		0.98	0.98
ED*4X36J**	*9MVX080	1.00	0.92	ENH4X31*17**	*8MV*0701412**	0.99	0.92
ED*4X36J**	*9MVX100	0.99	0.92	ENH4X31*17**	*8MV*0901716**	0.99	0.92
ED*4X36J**	OLV112A16A	0.99	0.93	ENH4X31*17**	*8MV*1102120**	1.00	0.92
ED*4X36J**	*9MA*0602120A**	0.98	1.00	ENH4X31*17**	*8MV*1352422**	1.00	0.92
ED*4X42F**	*9MA*0802120A**	0.99	0.93	ENH4X31*17**	*8MX*0701716**	1.00	0.92
ED*4X42F**	*9MA*1002122A**	0.99	0.91	ENH4X31*17**	*8MX*0902116**	1.01	0.93
ED*4X42F**	*9MA*1002122A**	0.99	0.92	ENH4X31*17**	*9MA*0601714A**	0.99	0.94
ED*4X42F**	*9MV*0802120A**	0.99	0.91	ENH4X31*17**	*9MA*0801714A**	1.00	0.92
ED*4X42F**	*9MV*1002120A**	0.99	0.91	ENH4X31*17**	*9MA*1202422A**	1.00	0.92
ED*4X42J**	*9MA*0602120A**	0.99	0.91	ENH4X31*17**	*9MV*0401410A**	0.99	0.99
ED*4X42J**	*9MA*0802120A**	0.99	0.91	ENH4X31*17**	*9MV*0601714A**	0.99	0.94
ED*4X42J**	*9MA*1002122A**	0.99	0.92	ENH4X31*17**	*9MV*0801716A**	1.00	0.92
ED*4X42J**	*9MV*0802120A**	0.99	0.92	ENH4X31*17**	*9MV*1202422A**	1.01	0.93
ED*4X42J**	*9MV*1002120A**	0.99	0.91	ENH4X31*17**	*9MX*0401410A**	0.99	1.04
EHD4X30A**	*8MV*0701412**	0.98	0.94	ENH4X31*17**	*9MX*0601714A**	1.00	0.94
EHD4X30A**	*8MV*0901716**	0.98	0.90	ENH4X31*17**	*9MX*0801716A**	1.01	0.94
EHD4X30A**	*8MV*1102120**	0.98	0.90	ENH4X31*17**	MV08B15**B*	1.01	0.90
EHD4X30A**	*8MV*1352422**	0.98	0.90	ENH4X31*17**	MV12F19**B*	1.01	0.88
EHD4X30A**	*8MX*0701716**	0.98	0.94	ENH4X31*17**	*8MPV050	1.01	0.99
EHD4X30A**	*8MX*0902116**	0.98	0.94	ENH4X31*17**	*8MPV075	1.01	0.93
EHD4X30A**	*9MA*0601714A**	0.98	0.94	ENH4X31*17**	*8MPV100	1.01	0.92
EHD4X30A**	*9MA*0602120A**	0.99	0.93	ENH4X31*17**	*8MPV125	1.01	0.92
EHD4X30A**	*9MA*0801714A**	0.99	0.93	ENH4X31*17**	*9MA*1002120A**	1.01	0.93
EHD4X30A**	*9MA*0802120A**	0.99	0.93	ENH4X31*17**	*9MPV050	1.00	0.94
EHD4X30A**	*9MA*1002122A**	0.99	0.92	ENH4X31*17**	*9MPV075	1.00	0.94
EHD4X30A**	*9MA*1202422A**	0.99	0.93	ENH4X31*17**	*9MPV100	1.01	0.93

COOLING Multiplying Factors for other Indoor Combinations

Indoor Model	Furnace Model	CAPACITY (MBh)	Power (AMPS)	Indoor Model	Furnace Model	CAPACITY (MBh)	Power (AMPS)
EHD4X30A**	*9MV*0401410A**	0.96	0.99	ENH4X31*17**	*9MPV125	1.01	0.92
EHD4X30A**	*9MV*0601714A**	0.98	0.92	ENH4X31*17**	*9MV*1002116A**	1.00	0.92
EHD4X30A**	*9MV*0801716A**	0.98	0.92	ENH4X31*17**	*9MVX040	1.00	0.96
EHD4X30A**	*9MV*0802120A**	0.98	0.90	ENH4X31*17**	*9MVX060	1.01	0.97
EHD4X30A**	*9MV*1002120A**	0.97	0.90	ENH4X31*17**	*9MVX080	1.01	0.94
EHD4X30A**	*9MV*1202422A**	0.98	0.92	ENH4X31*17**	*9MVX100	1.01	0.93
EHD4X30A**	*9MX*0401410A**	0.97	1.04	ENH4X31*17**	OLV098A12A	1.00	0.92
EHD4X30A**	*9MX*0601714A**	0.99	0.93	ENH4X31*17**	OLV112A16A	1.01	0.93
EHD4X30A**	*9MX*0801716A**	0.99	0.94	ENH4X31*17**	OMV098J12A	1.00	0.92
EHD4X30A**	MV08B15**B*	0.99	0.91	ENH4X31*17**	OMV112K14A	1.00	0.92
EHD4X30A**	MV12F19**B*	0.99	0.90	ENH4X31*17**		1.00	1.00
EHD4X30A**	*8MPV050	0.99	0.97	ENH4X36*17**	*8MV*0701412**	0.97	0.93
EHD4X30A**	*8MPV075	0.99	0.93	ENH4X36*17**	*8MV*0901716**	0.98	0.90
EHD4X30A**	*8MPV100	0.99	0.91	ENH4X36*17**	*8MV*1102120**	0.98	0.90
EHD4X30A**	*8MPV125	0.99	0.91	ENH4X36*17**	*8MV*1352422**	0.98	0.90
EHD4X30A**	*9MA*1002120A**	0.99	0.93	ENH4X36*17**	*8MX*0701716**	0.98	0.94
EHD4X30A**	*9MPV050	0.98	0.96	ENH4X36*17**	*8MX*0902116**	0.98	0.94
EHD4X30A**	*9MPV075	0.98	0.94	ENH4X36*17**	*9MA*0601714A**	0.97	0.93
EHD4X30A**	*9MPV100	0.99	0.93	ENH4X36*17**	*9MA*0801714A**	0.98	0.92
EHD4X30A**	*9MPV125	0.99	0.93	ENH4X36*17**	*9MA*1202422A**	0.98	0.92
EHD4X30A**	*9MV*1002116A**	0.98	0.92	ENH4X36*17**	*9MV*0401410A**	0.96	1.01
EHD4X30A**	*9MVX040	0.98	0.94	ENH4X36*17**	*9MV*0601714A**	0.97	0.92
EHD4X30A**	*9MVX060	0.98	0.94	ENH4X36*17**	*9MV*0801716A**	0.98	0.92
EHD4X30A**	*9MVX080	0.99	0.95	ENH4X36*17**	*9MV*1202422A**	0.98	0.92
EHD4X30A**	*9MVX100	0.99	0.95	ENH4X36*17**	*9MX*0401410A**	0.97	1.04
EHD4X30A**	OLV098A12A	0.98	0.94	ENH4X36*17**	*9MX*0601714A**	0.98	0.92
EHD4X30A**	OLV112A16A	0.99	0.95	ENH4X36*17**	*9MX*0801716A**	0.99	0.93
EHD4X30A**	OMV098J12A	0.98	0.94	ENH4X36*17**	MV08B15**B*	0.99	0.91
EHD4X30A**	OMV112K14A	0.99	0.95	ENH4X36*17**	MV12F19**B*	0.99	0.90
EHD4X30A**		0.99	0.99	ENH4X36*17**	*8MPV050	0.98	0.98
EHD4X36A**	*8MV*0701412**	0.99	0.92	ENH4X36*17**	*8MPV075	0.99	0.93
EHD4X36A**	*8MV*0901716**	0.99	0.92	ENH4X36*17**	*8MPV100	0.99	0.91
EHD4X36A**	*8MV*1102120**	1.00	0.92	ENH4X36*17**	*8MPV125	0.99	0.91
EHD4X36A**	*8MV*1352422**	0.99	0.92	ENH4X36*17**	*9MA*1002120A**	0.99	0.93
EHD4X36A**	*8MX*0701716**	1.00	0.92	ENH4X36*17**	*9MPV050	0.97	0.96

COOLING Multiplying Factors for other Indoor Combinations

Indoor Model	Furnace Model	CAPACITY (MBh)	Power (AMPS)	Indoor Model	Furnace Model	CAPACITY (MBh)	Power (AMPS)
EHD4X36A**	*8MX*0902116**	1.01	0.93	ENH4X36*17**	*9MPV075	0.98	0.94
EHD4X36A**	*9MA*0601714A**	0.99	0.94	ENH4X36*17**	*9MPV100	0.99	0.93
EHD4X36A**	*9MA*0602120A**	1.00	0.92	ENH4X36*17**	*9MPV125	0.99	0.91
EHD4X36A**	*9MA*0801714A**	1.00	0.92	ENH4X36*17**	*9MV*1002116A**	0.98	0.92
EHD4X36A**	*9MA*0802120A**	1.00	0.92	ENH4X36*17**	*9MVX040	0.98	0.98
EHD4X36A**	*9MA*1002122A**	1.01	0.92	ENH4X36*17**	*9MVX060	0.98	0.94
EHD4X36A**	*9MA*1202422A**	1.00	0.92	ENH4X36*17**	*9MVX080	0.99	0.95
EHD4X36A**	*9MV*0401410A**	0.99	0.99	ENH4X36*17**	*9MVX100	0.99	0.91
EHD4X36A**	*9MV*0601714A**	0.99	0.94	ENH4X36*17**	OLV098A12A	0.98	0.94
EHD4X36A**	*9MV*0801716A**	1.00	0.92	ENH4X36*17**	OLV112A16A	0.99	0.95
EHD4X36A**	*9MV*0802120A**	1.00	0.92	ENH4X36*17**	OMV098J12A	0.98	0.94
EHD4X36A**	*9MV*1002120A**	0.99	0.92	ENH4X36*17**	OMV112K14A	0.98	0.94
EHD4X36A**	*9MV*1202422A**	1.00	0.92	ENH4X36*17**		0.98	0.98
EHD4X36A**	*9MX*0401410A**	0.99	1.04	ENH4X42*21**	*8MV*0701412**	0.99	0.91
EHD4X36A**	*9MX*0601714A**	1.00	0.94	ENH4X42*21**	*8MV*0901716**	0.99	0.91
EHD4X36A**	*9MX*0801716A**	1.01	0.95	ENH4X42*21**	*8MV*1102120**	0.99	0.91
EHD4X36A**	MV08B15**B*	1.00	0.91	ENH4X42*21**	*8MV*1352422**	0.99	0.91
EHD4X36A**	MV12F19**B*	1.01	0.90	ENH4X42*21**	*8MX*0701716**	0.99	0.95
EHD4X36A**	*8MPV050	1.01	0.99	ENH4X42*21**	*8MX*0902116**	0.99	0.92
EHD4X36A**	*8MPV075	1.01	0.93	ENH4X42*21**	*9MA*0601714A**	0.98	0.92
EHD4X36A**	*8MPV100	1.01	0.92	ENH4X42*21**	*9MA*0602120A**	0.99	0.93
EHD4X36A**	*8MPV125	1.01	0.92	ENH4X42*21**	*9MA*0801714A**	0.99	0.93
EHD4X36A**	*9MA*1002120A**	1.00	0.92	ENH4X42*21**	*9MA*0802120A**	0.99	0.91
EHD4X36A**	*9MPV050	1.00	0.94	ENH4X42*21**	*9MA*1002122A**	0.99	0.92
EHD4X36A**	*9MPV075	1.00	0.94	ENH4X42*21**	*9MA*1202422A**	0.99	0.92
EHD4X36A**	*9MPV100	1.01	0.93	ENH4X42*21**	*9MV*0401410A**	0.97	0.99
EHD4X36A**	*9MPV125	1.01	0.92	ENH4X42*21**	*9MV*0601714A**	0.99	0.93
EHD4X36A**	*9MV*1002116A**	1.00	0.92	ENH4X42*21**	*9MV*0801716A**	0.99	0.93
EHD4X36A**	*9MVX040	1.00	0.96	ENH4X42*21**	*9MV*0802120A**	0.99	0.91
EHD4X36A**	*9MVX060	1.01	0.97	ENH4X42*21**	*9MV*1002120A**	0.98	0.90
EHD4X36A**	*9MVX080	1.01	0.94	ENH4X42*21**	*9MV*1202422A**	0.99	0.92
EHD4X36A**	*9MVX100	1.01	0.93	ENH4X42*21**	*9MX*0401410A**	0.98	1.03
EHD4X36A**	OLV098A12A	0.99	0.92	ENH4X42*21**	*9MX*0601714A**	0.99	0.94
EHD4X36A**	OLV112A16A	1.01	0.93	ENH4X42*21**	*9MX*0801716A**	1.00	0.94
EHD4X36A**	OMV098J12A	1.00	0.92	ENH4X42*21**	*9MA*1002120A**	0.99	0.94

COOLING Multiplying Factors for other Indoor Combinations

Indoor Model	Furnace Model	CAPACITY (MBh)	Power (AMPS)	Indoor Model	Furnace Model	CAPACITY (MBh)	Power (AMPS)
EHD4X36A**	OMV112K14A	1.00	0.92	ENH4X42*21**	*9MV*1002116A**	0.99	0.93
EHD4X36A**		1.00	1.00	ENH4X42*21**		0.99	0.99
EHD4X42A**	*8MV*0701412**	1.00	0.92	FCM4X24***		0.99	0.91
EHD4X42A**	*8MV*0901716**	1.00	0.92	FCM4X36***		0.99	0.91
EHD4X42A**	*8MV*1102120**	1.00	0.92	FCM4X48***		1.01	0.93
EHD4X42A**	*8MV*1352422**	1.00	0.92	FEA4X30**A*		0.99	0.95
EHD4X42A**	*8MX*0701716**	1.01	0.93	FEA4X36**A*		0.99	0.95
EHD4X42A**	*8MX*0902116**	1.01	0.94	FEM4P30**A*		0.99	0.95
EHD4X42A**	*9MA*0601714A**	1.00	0.94	FEM4P36**A*		0.99	0.95
EHD4X42A**	*9MA*0602120A**	1.00	0.92	FEM4P42**A*		1.00	1.00
EHD4X42A**	*9MA*0801714A**	1.00	0.92	FEM4X30***		0.99	0.93
EHD4X42A**	*9MA*0802120A**	1.01	0.93	FEM4X36***		1.01	0.97
EHD4X42A**	*9MA*1002122A**	1.01	0.90	FS(M,U)4P30**A*		0.99	0.95
EHD4X42A**	*9MA*1202422A**	1.01	0.93	FS(M,U)4P36**A*		0.99	0.99
EHD4X42A**	*9MV*0401410A**	0.99	0.99	FSA4X30**A*		0.97	0.97
EHD4X42A**	*9MV*0601714A**	1.00	0.92	FSA4X36**A*		0.99	0.99
EHD4X42A**	*9MV*0801716A**	1.01	0.93	FVM4X36***		0.99	0.90
EHD4X42A**	*9MV*0802120A**	1.01	0.92	FXM4X30**A*		1.00	0.92
EHD4X42A**	*9MV*1002120A**	1.00	0.91	FXM4X36**A*		1.01	0.94
EHD4X42A**	*9MV*1202422A**	1.01	0.92	FXM4X42**A*		1.01	0.97
EHD4X42A**	*9MX*0401410A**	1.00	1.04				

COOLING Multiplying Factors for other Indoor Combinations

Indoor Model	Furnace Model	CAPACITY (MBh)	Power (AMPS)	Indoor Model	Furnace Model	CAPACITY (MBh)	Power (AMPS)
*EN(A,D)4X37*17**		1.00	1.00	EHD4X42A**	*9MVX080	1.00	0.96
EA*4X36*14A*	*8MV*0701412**	0.95	0.95	EHD4X42A**	*9MVX100	0.99	0.92
EA*4X36*14A*	*8MX*0451408**	0.95	0.99	EHD4X42A**	OLV098A12A	0.98	0.98
EA*4X36*14A*	MV08B15**B*	0.96	0.92	EHD4X42A**	OLV112A16A	0.99	0.95
EA*4X36*14A*	*8MPV050	0.95	0.99	EHD4X42A**	OLV154F20A	1.01	0.97
EA*4X36*14A*		0.95	0.99	EHD4X42A**	OMV098J12A	0.98	0.98
EA*4X36*17A*	*8MV*0701412**	0.95	0.95	EHD4X42A**	OMV112K14A	0.98	0.94
EA*4X36*17A*	*8MV*0901716**	0.96	0.92	EHD4X42A**		0.99	0.99
EA*4X36*17A*	*8MX*0451408**	0.95	0.95	EHD4X48A**	*8MV*0701412**	0.98	0.94
EA*4X36*17A*	*8MX*0701716**	0.96	0.96	EHD4X48A**	*8MV*0901716**	0.98	0.91

(C,H,T)SA636

COOLING Multiplying Factors for other Indoor Combinations

Indoor Model	Furnace Model	CAPACITY (MBh)	Power (AMPS)	Indoor Model	Furnace Model	CAPACITY (MBh)	Power (AMPS)
EA*4X36*17A*	*9MA*0601714A**	0.94	0.94	EHD4X48A**	*8MV*1102120**	0.99	0.91
EA*4X36*17A*	*9MA*0801714A**	0.95	0.91	EHD4X48A**	*8MV*1352422**	0.99	0.91
EA*4X36*17A*	*9MV*0601714A**	0.95	0.95	EHD4X48A**	*8MX*0451408**	0.99	0.99
EA*4X36*17A*	*9MV*0801716A**	0.96	0.94	EHD4X48A**	*8MX*0701716**	0.99	0.95
EA*4X36*17A*	*9MX*0601714A**	0.95	0.95	EHD4X48A**	*8MX*0902116**	0.99	0.92
EA*4X36*17A*	*9MX*0801716A**	0.95	0.92	EHD4X48A**	*8MX*1102120**	1.00	0.92
EA*4X36*17A*	MV08B15**B*	0.97	0.91	EHD4X48A**	*9MA*0601714A**	0.97	0.93
EA*4X36*17A*	MV12F19**B*	0.97	0.91	EHD4X48A**	*9MA*0602120A**	0.98	0.92
EA*4X36*17A*	*8MPV050	0.95	0.97	EHD4X48A**	*9MA*0801714A**	0.98	0.92
EA*4X36*17A*	*8MPV075	0.97	0.95	EHD4X48A**	*9MA*0802120A**	0.98	0.91
EA*4X36*17A*	*9MPV050	0.95	0.98	EHD4X48A**	*9MA*1002122A**	0.99	0.91
EA*4X36*17A*	*9MPV075	0.95	0.95	EHD4X48A**	*9MA*1202422A**	0.98	0.91
EA*4X36*17A*	OLV098A12A	0.95	0.95	EHD4X48A**	*9MV*0601714A**	0.98	0.94
EA*4X36*17A*	OMV098J12A	0.95	0.95	EHD4X48A**	*9MV*0801716A**	0.99	0.93
EA*4X36*17A*	OMV112K14A	0.96	0.92	EHD4X48A**	*9MV*0802120A**	0.99	0.91
EA*4X36*17A*	*8MV*0901716**	0.96	1.00	EHD4X48A**	*9MV*1002120A**	0.99	0.91
EA*4X36*21A*	*8MV*1102120**	0.96	0.92	EHD4X48A**	*9MV*1202422A**	0.99	0.91
EA*4X36*21A*	*8MV*1102120**	0.96	0.92	EHD4X48A**	*9MX*0601714A**	0.99	0.95
EA*4X36*21A*	*8MX*0701716**	0.96	0.96	EHD4X48A**	*9MX*0801716A**	0.98	0.93
EA*4X36*21A*	*8MX*0902116**	0.97	0.93	EHD4X48A**	*9MA*1002120A**	0.98	0.91
EA*4X36*21A*	*8MX*1102120**	0.97	0.93	EHD4X48A**	*9MV*1002116A**	0.99	0.93
EA*4X36*21A*	*9MA*0601714A**	0.95	0.93	EHD4X48A**		0.99	0.99
EA*4X36*21A*	*9MA*0602120A**	0.95	0.93	EN(A,D)4X36*21**	*8MV*0901716**	0.95	0.92
EA*4X36*21A*	*9MA*0801714A**	0.95	0.91	EN(A,D)4X36*21**	*8MV*1102120**	0.96	0.92
EA*4X36*21A*	*9MA*0802120A**	0.95	0.90	EN(A,D)4X36*21**	*8MX*0701716**	0.95	0.95
EA*4X36*21A*	*9MA*1002122A**	0.96	0.91	EN(A,D)4X36*21**	*8MX*0902116**	0.96	0.92
EA*4X36*21A*	*9MV*0601714A**	0.96	0.96	EN(A,D)4X36*21**	*8MX*1102120**	0.97	0.93
EA*4X36*21A*	*9MV*0801716A**	0.96	0.92	EN(A,D)4X36*21**	*9MA*0601714A**	0.94	0.94
EA*4X36*21A*	*9MV*0802120A**	0.96	0.92	EN(A,D)4X36*21**	*9MA*0602120A**	0.95	0.93
EA*4X36*21A*	*9MV*1002120A**	0.96	0.91	EN(A,D)4X36*21**	*9MA*0801714A**	0.95	0.95
EA*4X36*21A*	*9MX*0601714A**	0.96	0.96	EN(A,D)4X36*21**	*9MA*0802120A**	0.95	0.92
EA*4X36*21A*	*9MX*0801716A**	0.96	0.92	EN(A,D)4X36*21**	*9MA*1002122A**	0.95	0.92
EA*4X36*21A*	*9MX*1002120A**	0.98	0.94	EN(A,D)4X36*21**	*9MV*0601714A**	0.95	0.95
EA*4X36*21A*	MV12F19**B*	0.97	0.89	EN(A,D)4X36*21**	*9MV*0801716A**	0.95	0.95
EA*4X36*21A*	MV16J22**B*	0.97	0.89	EN(A,D)4X36*21**	*9MV*0802120A**	0.95	0.92

COOLING Multiplying Factors for other Indoor Combinations

Indoor Model	Furnace Model	Indoor Model	Furnace Model	CAPACITY (MBh)	Power (AMPS)	Indoor Model	Furnace Model	CAPACITY (MBh)	Power (AMPS)
EA*4X36*21A*	*8MPV075	EN(A,D)4X36*21**	*9MV*1002120A**	0.97	0.95	EN(A,D)4X36*21**	*9MV*1002120A**	0.95	0.92
EA*4X36*21A*	*8MPV100	EN(A,D)4X36*21**	*9MX*0601714A**	0.98	0.94	EN(A,D)4X36*21**	*9MX*0601714A**	0.95	0.95
EA*4X36*21A*	*8MPV125	EN(A,D)4X36*21**	*9MX*0801716A**	0.98	0.94	EN(A,D)4X36*21**	*9MX*0801716A**	0.95	0.91
EA*4X36*21A*	*9MA*1002120A**	EN(A,D)4X36*21**	*9MX*1002120A**	0.95	0.92	EN(A,D)4X36*21**	*9MX*1002120A**	0.97	0.96
EA*4X36*21A*	*9MPV050	EN(A,D)4X36*21**	MV12F19**B*	0.95	0.98	EN(A,D)4X36*21**	MV12F19**B*	0.97	0.89
EA*4X36*21A*	*9MPV075	EN(A,D)4X36*21**	MV16J22**B*	0.96	0.96	EN(A,D)4X36*21**	MV16J22**B*	0.97	0.89
EA*4X36*21A*	*9MPV100	EN(A,D)4X36*21**	*8MPV075	0.97	0.96	EN(A,D)4X36*21**	*8MPV075	0.96	0.96
EA*4X36*21A*	*9MV*1002116A**	EN(A,D)4X36*21**	*8MPV100	0.97	0.93	EN(A,D)4X36*21**	*8MPV100	0.97	0.96
EA*4X36*21A*	OLV112A16A	EN(A,D)4X36*21**	*8MPV125	0.97	0.93	EN(A,D)4X36*21**	*8MPV125	0.97	0.93
EA*4X36*21A*	*8MV*0901716**	EN(A,D)4X36*21**	*9MA*1002120A**	0.96	1.00	EN(A,D)4X36*21**	*9MA*1002120A**	0.95	0.91
EA*4X42*21A*	*8MV*1102120**	EN(A,D)4X36*21**	*9MPV050	0.97	0.93	EN(A,D)4X36*21**	*9MPV050	0.95	0.97
EA*4X42*21A*	*8MX*0701716**	EN(A,D)4X36*21**	*9MPV075	0.97	0.93	EN(A,D)4X36*21**	*9MPV075	0.95	0.95
EA*4X42*21A*	*8MX*0902116**	EN(A,D)4X36*21**	*9MPV100	0.97	0.97	EN(A,D)4X36*21**	*9MPV100	0.97	0.95
EA*4X42*21A*	*8MX*1102120**	EN(A,D)4X36*21**	*9MV*1002116A**	0.98	0.90	EN(A,D)4X36*21**	*9MV*1002116A**	0.95	0.95
EA*4X42*21A*	*9MA*0601714A**	EN(A,D)4X36*21**	*9MVX040	0.95	0.90	EN(A,D)4X36*21**	*9MVX040	0.95	0.99
EA*4X42*21A*	*9MA*0602120A**	EN(A,D)4X36*21**	*9MVX060	0.95	0.92	EN(A,D)4X36*21**	*9MVX060	0.96	0.96
EA*4X42*21A*	*9MA*0801714A**	EN(A,D)4X36*21**	*9MVX080	0.95	0.92	EN(A,D)4X36*21**	*9MVX080	0.97	0.97
EA*4X42*21A*	*9MA*1002122A**	EN(A,D)4X36*21**	OLV112A16A	0.95	0.92	EN(A,D)4X36*21**	OLV112A16A	0.96	0.96
EA*4X42*21A*	*9MV*0601714A**	EN(A,D)4X36*21**	*9MA*0801714A**	0.96	0.89	EN(A,D)4X36*21**	*9MA*0801714A**	0.96	1.00
EA*4X42*21A*	*9MV*0801716A**	EN(A,D)4X37*17**	*9MA*1002120A**	0.97	0.89	EN(A,D)4X37*17**	*9MA*1002120A**	0.99	0.95
EA*4X42*21A*	*9MV*0802120A**	EN(A,D)4X37*17**	*9MV*0901716**	0.97	0.97	EN(A,D)4X37*17**	*9MV*0901716**	0.99	0.91
EA*4X42*21A*	MV12F19**B*	EN(A,D)4X37*17**	*8MX*0451408**	0.97	0.93	EN(A,D)4X37*17**	*8MX*0451408**	0.99	0.99
EA*4X42*21A*	MV16J22**B*	EN(A,D)4X37*17**	*8MX*0701716**	0.97	0.91	EN(A,D)4X37*17**	*8MX*0701716**	0.99	0.95
EA*4X42*21A*	*8MPV075	EN(A,D)4X37*17**	*9MA*0601714A**	0.97	0.91	EN(A,D)4X37*17**	*9MA*0601714A**	0.98	0.94
EA*4X42*21A*	*8MPV100	EN(A,D)4X37*17**	*9MA*0801714A**	0.98	0.97	EN(A,D)4X37*17**	*9MA*0801714A**	0.98	0.91
EA*4X42*21A*	*8MPV125	EN(A,D)4X37*17**	*9MX*0601714A**	0.98	0.92	EN(A,D)4X37*17**	*9MX*0601714A**	0.98	0.94
EA*4X42*21A*	*9MA*1002120A**	EN(A,D)4X37*17**	*9MV*0801716A**	0.96	0.94	EN(A,D)4X37*17**	*9MV*0801716A**	0.98	0.91
EA*4X42*21A*	*9MPV050	EN(A,D)4X37*17**	MV12F19**B*	0.97	0.90	EN(A,D)4X37*17**	MV12F19**B*	0.99	0.95
EA*4X42*21A*	*9MPV075	EN(A,D)4X37*17**	MV16J22**B*	0.97	0.90	EN(A,D)4X37*17**	MV16J22**B*	0.99	0.91
EA*4X42*21A*	*9MA*1002120A**	EN(A,D)4X37*17**	*8MPV075	0.97	0.96	EN(A,D)4X37*17**	*8MPV075	1.00	0.92
EA*4X42*21A*	*9MA*0801714A**	EN(A,D)4X37*17**	*8MPV100	0.98	0.94	EN(A,D)4X37*17**	*8MPV100	1.00	0.91
EA*4X42*21A*	*9MA*1002120A**	EN(A,D)4X37*17**	*8MPV125	0.98	0.93	EN(A,D)4X37*17**	*8MPV125	0.98	0.98
EA*4X42*21A*	*9MPV050	EN(A,D)4X37*17**	*9MA*1002120A**	0.96	0.92	EN(A,D)4X37*17**	*9MA*1002120A**	1.00	0.96
EA*4X42*21A*	*9MPV075	EN(A,D)4X37*17**	*9MPV050	0.96	0.96	EN(A,D)4X37*17**	*9MPV050	0.99	0.99
EA*4X42*21A*		EN(A,D)4X37*17**	*9MPV075	0.97	0.97	EN(A,D)4X37*17**	*9MPV075	0.99	0.97

COOLING Multiplying Factors for other Indoor Combinations

Indoor Model	Furnace Model	CAPACITY (MBh)	Power (AMPS)	Indoor Model	Furnace Model	CAPACITY (MBh)	Power (AMPS)
EA*4X42*21A*	*9MPV100	0.98	0.96	EN(A,D)4X37*17**	*9MVX040	0.99	0.99
EA*4X42*21A*	*9MV*1002116A**	0.97	0.93	EN(A,D)4X37*17**	*9MVX060	0.99	0.95
EA*4X42*21A*	OLV112A16A	0.97	0.93	EN(A,D)4X37*17**	OLV098A12A	0.98	0.94
EA*4X42*21A*		0.97	1.01	EN(A,D)4X37*17**	OMV098J12A	0.99	0.95
EA*4X42*24A*	*8MV*1102120**	0.97	0.91	EN(A,D)4X37*17**	OMV112K14A	0.99	0.95
EA*4X42*24A*	*8MV*1352422**	0.97	0.89	EN(A,D)4X43*24**	*8MV*1102120**	0.99	0.92
EA*4X42*24A*	*8MX*0902116**	0.98	0.90	EN(A,D)4X43*24**	*8MV*1352422**	0.99	0.92
EA*4X42*24A*	*8MX*1102120**	0.98	0.90	EN(A,D)4X43*24**	*8MX*0902116**	1.01	0.93
EA*4X42*24A*	*9MA*0602120A**	0.96	0.92	EN(A,D)4X43*24**	*8MX*1102120**	1.01	0.93
EA*4X42*24A*	*9MA*0802120A**	0.96	0.89	EN(A,D)4X43*24**	*9MA*0602120A**	0.98	0.91
EA*4X42*24A*	*9MA*1002122A**	0.97	0.89	EN(A,D)4X43*24**	*9MA*0802120A**	0.99	0.90
EA*4X42*24A*	*9MA*1202422A**	0.96	0.92	EN(A,D)4X43*24**	*9MA*1002122A**	0.99	0.90
EA*4X42*24A*	*9MV*0802120A**	0.97	0.91	EN(A,D)4X43*24**	*9MA*1202422A**	0.99	0.90
EA*4X42*24A*	*9MV*1002120A**	0.97	0.89	EN(A,D)4X43*24**	*9MV*0802120A**	0.99	0.92
EA*4X42*24A*	*9MV*1202422A**	0.97	0.93	EN(A,D)4X43*24**	*9MV*1002120A**	0.99	0.92
EA*4X42*24A*	*9MX*1002120A**	0.98	0.94	EN(A,D)4X43*24**	*9MV*1202422A**	0.99	0.90
EA*4X42*24A*	MV16J22**B*	0.97	0.90	EN(A,D)4X43*24**	*9MX*1002120A**	1.02	0.94
EA*4X42*24A*	MV20L24**B*	0.97	0.90	EN(A,D)4X43*24**	MV16J22**B*	1.00	0.89
EA*4X42*24A*	*8MPV100	0.99	0.95	EN(A,D)4X43*24**	MV20L24**B*	1.00	0.91
EA*4X42*24A*	*8MPV125	0.98	0.93	EN(A,D)4X43*24**	*8MPV100	1.02	0.94
EA*4X42*24A*	*9MA*1002120A**	0.96	0.92	EN(A,D)4X43*24**	*8MPV125	1.02	0.94
EA*4X42*24A*	*9MPV100	0.98	0.94	EN(A,D)4X43*24**	*9MA*1002120A**	0.99	0.91
EA*4X42*24A*	*9MPV125	0.98	0.94	EN(A,D)4X43*24**	*9MPV100	1.01	0.96
EA*4X42*24A*	*9MV*1002116A**	0.97	0.93	EN(A,D)4X43*24**	*9MPV125	1.01	0.93
EA*4X42*24A*	*9MVX100	0.98	0.94	EN(A,D)4X43*24**	*9MV*1002116A**	0.99	0.91
EA*4X48*17A*	*8MV*0701412**	0.98	0.94	EN(A,D)4X43*24**	*9MVX080	1.01	0.93
EA*4X48*17A*	*8MV*0901716**	0.98	0.91	EN(A,D)4X43*24**	*9MVX100	1.01	0.93
EA*4X48*17A*	*8MX*0451408**	0.98	0.98	EN(A,D)4X48*24**	*8MV*1102120**	1.00	1.00
EA*4X48*17A*	*8MX*0701716**	0.98	0.94	EN(A,D)4X48*24**	*8MX*1352422**	0.98	0.91
EA*4X48*17A*	*9MA*0601714A**	0.97	0.93	EN(A,D)4X48*24**	*8MX*0902116**	0.99	0.91
EA*4X48*17A*	*9MA*0801714A**	0.97	0.93	EN(A,D)4X48*24**	*8MX*1102120**	0.99	0.92
EA*4X48*17A*	*9MV*0601714A**	0.98	0.94	EN(A,D)4X48*24**	*9MA*0602120A**	0.97	0.92
EA*4X48*17A*	*9MV*0801716A**	0.98	0.94	EN(A,D)4X48*24**	*9MA*0802120A**	0.98	0.90
EA*4X48*17A*	*9MX*0601714A**	0.98	0.94	EN(A,D)4X48*24**	*9MA*1002122A**	0.98	0.91

COOLING Multiplying Factors for other Indoor Combinations

Indoor Model	Furnace Model	CAPACITY (MBh)	Power (AMPS)	Indoor Model	Furnace Model	CAPACITY (MBh)	Power (AMPS)
EA*4X48*17A*	*9MX*0801716A**	0.98	0.94	EN(A,D)4X48*24**	*9MA*1202422A**	0.98	0.90
EA*4X48*17A*		0.99	0.99	EN(A,D)4X48*24**	*9MV*1002120A**	0.98	0.91
EA*4X48*21A*	*8MV*0901716**	0.98	0.90	EN(A,D)4X48*24**	*9MV*1202422A**	0.98	0.91
EA*4X48*21A*	*8MV*1102120**	0.98	0.90	EN(A,D)4X48*24**	*9MV*1202422A**	0.98	0.93
EA*4X48*21A*	*8MX*0701716**	0.98	0.94	EN(A,D)4X48*24**	*9MA*1002120A**	0.98	0.90
EA*4X48*21A*	*8MX*0902116**	0.99	0.91	EN(A,D)4X48*24**	*9MV*1002116A**	0.99	0.93
EA*4X48*21A*	*8MX*1102120**	0.99	0.91	EN(A,D)4X48*24**		0.99	1.01
EA*4X48*21A*	*9MA*0601714A**	0.97	0.93	EN(A,D,W)4X36*17**	*8MV*0701412**	0.95	0.95
EA*4X48*21A*	*9MA*0602120A**	0.97	0.93	EN(A,D,W)4X36*17**	*8MV*0901716**	0.95	0.95
EA*4X48*21A*	*9MA*0801714A**	0.97	0.93	EN(A,D,W)4X36*17**	*8MX*0451408**	0.95	0.99
EA*4X48*21A*	*9MA*0802120A**	0.97	0.90	EN(A,D,W)4X36*17**	*8MX*0701716**	0.95	0.95
EA*4X48*21A*	*9MA*1002122A**	0.98	0.90	EN(A,D,W)4X36*17**	*9MA*0601714A**	0.94	0.94
EA*4X48*21A*	*9MV*0601714A**	0.98	0.94	EN(A,D,W)4X36*17**	*9MA*0801714A**	0.95	0.95
EA*4X48*21A*	*9MV*0801716A**	0.98	0.94	EN(A,D,W)4X36*17**	*9MV*0601714A**	0.87	0.87
EA*4X48*21A*	*9MV*0802120A**	0.98	0.90	EN(A,D,W)4X36*17**	*9MV*0801716A**	0.95	0.95
EA*4X48*21A*	*9MV*1002120A**	0.98	0.90	EN(A,D,W)4X36*17**	*9MX*0601714A**	0.95	0.95
EA*4X48*21A*	*9MX*0601714A**	0.98	0.94	EN(A,D,W)4X36*17**	*9MX*0801716A**	0.95	0.95
EA*4X48*21A*	*9MX*0801716A**	0.97	0.93	EN(A,D,W)4X36*17**	MV08B15**B*	0.96	0.92
EA*4X48*21A*	*9MA*1002120A**	0.97	0.93	EN(A,D,W)4X36*17**	MV12F19**B*	0.97	0.91
EA*4X48*21A*	*9MV*1002116A**	0.98	0.94	EN(A,D,W)4X36*17**	*8MPV050	0.95	0.99
EA*4X48*21A*		0.98	1.01	EN(A,D,W)4X36*17**	*8MPV075	0.96	0.96
EA*4X48*24A*	*8MV*1102120**	0.98	0.90	EN(A,D,W)4X36*17**	*9MPV050	0.95	0.97
EA*4X48*24A*	*8MV*1352422**	0.98	0.90	EN(A,D,W)4X36*17**	*9MPV075	0.95	0.95
EA*4X48*24A*	*8MX*0902116**	0.99	0.91	EN(A,D,W)4X36*17**	*9MVX040	0.95	0.99
EA*4X48*24A*	*8MX*1102120**	0.99	0.92	EN(A,D,W)4X36*17**	*9MVX060	0.95	0.95
EA*4X48*24A*	*9MA*0602120A**	0.97	0.92	EN(A,D,W)4X36*17**	OLV098A12A	0.95	0.95
EA*4X48*24A*	*9MA*0802120A**	0.97	0.90	EN(A,D,W)4X36*17**	OMV098J12A	0.95	0.95
EA*4X48*24A*	*9MA*1002122A**	0.98	0.90	EN(A,D,W)4X36*17**	OMV112K14A	0.95	0.95
EA*4X48*24A*	*9MA*1202422A**	0.97	0.90	EN(A,D,W)4X36*17**		0.96	1.00
EA*4X48*24A*	*9MV*0802120A**	0.98	0.90	EN(A,D,W)4X42*21**	*8MV*0901716**	0.97	0.93
EA*4X48*24A*	*9MV*1002120A**	0.98	0.90	EN(A,D,W)4X42*21**	*8MV*1102120**	0.97	0.93
EA*4X48*24A*	*9MV*1202422A**	0.98	0.91	EN(A,D,W)4X42*21**	*8MX*0701716**	0.97	0.97
EA*4X48*24A*	*9MA*1002120A**	0.97	0.93	EN(A,D,W)4X42*21**	*8MX*0902116**	0.97	0.93
EA*4X48*24A*	*9MV*1002116A**	0.98	0.94	EN(A,D,W)4X42*21**	*8MX*1102120**	0.98	0.90
EA*4X48*24A*		0.98	1.01	EN(A,D,W)4X42*21**	*9MA*0601714A**	0.95	0.95

COOLING Multiplying Factors for other Indoor Combinations

Indoor Model	Furnace Model	CAPACITY (MBh)	Power (AMPS)	Indoor Model	Furnace Model	CAPACITY (MBh)	Power (AMPS)
ED*4X36B**	*8MV*0701412**	0.95	0.94	EN(A,D,W)4X42*21**	*9MA*0602120A**	0.96	0.92
ED*4X36B**	*8MX*0451408**	0.95	0.97	EN(A,D,W)4X42*21**	*9MA*0801714A**	0.95	0.92
ED*4X36B**	MV08B15**B*	0.96	0.92	EN(A,D,W)4X42*21**	*9MA*0802120A**	0.96	0.91
ED*4X36B**	*8MPV050	0.95	0.99	EN(A,D,W)4X42*21**	*9MA*1002122A**	0.97	0.91
ED*4X36B**		0.95	0.99	EN(A,D,W)4X42*21**	*9MV*0601714A**	0.96	0.96
ED*4X36F**	*9MA*0601714A**	0.94	0.94	EN(A,D,W)4X42*21**	*9MV*0801716A**	0.97	0.93
ED*4X36F**	*9MA*0602120A**	0.95	0.93	EN(A,D,W)4X42*21**	*9MV*0802120A**	0.97	0.93
ED*4X36F**	*9MA*0801714A**	0.95	0.91	EN(A,D,W)4X42*21**	*9MV*1002120A**	0.97	0.91
ED*4X36F**	*9MA*0802120A**	0.95	0.92	EN(A,D,W)4X42*21**	*9MX*0601714A**	0.97	0.97
ED*4X36F**	*9MA*1002122A**	0.96	0.92	EN(A,D,W)4X42*21**	*9MX*0801716A**	0.96	0.92
ED*4X36F**	*9MV*0601714A**	0.95	0.95	EN(A,D,W)4X42*21**	*9MX*1002120A**	0.98	0.94
ED*4X36F**	*9MV*0801716A**	0.96	0.94	EN(A,D,W)4X42*21**	MV12F19**B*	0.98	0.90
ED*4X36F**	*9MV*0802120A**	0.95	0.92	EN(A,D,W)4X42*21**	MV16J22**B*	0.98	0.90
ED*4X36F**	*9MV*1002120A**	0.95	0.92	EN(A,D,W)4X42*21**	*8MPV075	0.97	0.96
ED*4X36F**	*9MX*0601714A**	0.95	0.95	EN(A,D,W)4X42*21**	*8MPV100	0.98	0.94
ED*4X36F**	*9MX*0801716A**	0.95	0.94	EN(A,D,W)4X42*21**	*8MPV125	0.98	0.93
ED*4X36F**	MV08B15**B*	0.97	0.91	EN(A,D,W)4X42*21**	*9MA*1002120A**	0.96	0.92
ED*4X36F**	MV12F19**B*	0.97	0.89	EN(A,D,W)4X42*21**	*9MPV050	0.96	0.98
ED*4X36F**	*8MPV050	0.95	0.97	EN(A,D,W)4X42*21**	*9MPV075	0.97	0.97
ED*4X36F**	*8MPV075	0.97	0.95	EN(A,D,W)4X42*21**	*9MPV100	0.98	0.96
ED*4X36F**	*9MA*1002120A**	0.95	0.92	EN(A,D,W)4X42*21**	*9MV*1002116A**	0.97	0.93
ED*4X36F**	*9MPV050	0.95	0.98	EN(A,D,W)4X42*21**	*9MVX040	0.96	0.96
ED*4X36F**	*9MPV075	0.95	0.95	EN(A,D,W)4X42*21**	*9MVX060	0.97	0.97
ED*4X36F**	*9MV*1002116A**	0.96	0.92	EN(A,D,W)4X42*21**	*9MVX080	0.98	0.94
ED*4X36F**	*9MVX040	0.95	0.99	EN(A,D,W)4X42*21**	OLV112A16A	0.97	0.96
ED*4X36F**	*9MVX060	0.96	0.96	EN(A,D,W)4X42*21**		0.97	1.01
ED*4X36F**		0.96	1.00	EN(A,D,W)4X48*21**	*8MV*0901716**	0.98	0.90
ED*4X36J**	*8MV*1102120**	0.96	0.92	EN(A,D,W)4X48*21**	*8MV*1102120**	0.98	0.91
ED*4X36J**	*8MV*1352422**	0.96	0.91	EN(A,D,W)4X48*21**	*8MX*0701716**	0.98	0.94
ED*4X36J**	*8MX*0902116**	0.97	0.91	EN(A,D,W)4X48*21**	*8MX*0902116**	0.99	0.91
ED*4X36J**	*8MX*1102120**	0.97	0.92	EN(A,D,W)4X48*21**	*8MX*1102120**	0.99	0.92
ED*4X36J**	*9MA*0602120A**	0.95	0.93	EN(A,D,W)4X48*21**	*9MA*0601714A**	0.97	0.93
ED*4X36J**	*9MA*0802120A**	0.95	0.90	EN(A,D,W)4X48*21**	*9MA*0602120A**	0.97	0.92
ED*4X36J**	*9MA*1002122A**	0.96	0.91	EN(A,D,W)4X48*21**	*9MA*0801714A**	0.97	0.93
ED*4X36J**	*9MA*1202422A**	0.95	0.92	EN(A,D,W)4X48*21**	*9MA*0802120A**	0.98	0.90

COOLING Multiplying Factors for other Indoor Combinations

Indoor Model	Furnace Model	Indoor Model	Furnace Model	Power (AMPS)	CAPACITY (MBh)	Power (AMPS)	CAPACITY (MBh)	Indoor Model	Furnace Model	CAPACITY (MBh)	Power (AMPS)
ED*4X36J**	*9MV*0802120A**	EN(A,D,W)4X48*21**	*9MA*1002122A**	0.92	0.96	0.92	0.98	EN(A,D,W)4X48*21**	*9MA*1002122A**	0.98	0.91
ED*4X36J**	*9MV*1002120A**	EN(A,D,W)4X48*21**	*9MV*0601714A**	0.91	0.96	0.91	0.98	EN(A,D,W)4X48*21**	*9MV*0601714A**	0.98	0.94
ED*4X36J**	*9MV*1202422A**	EN(A,D,W)4X48*21**	*9MV*0801716A**	0.92	0.96	0.92	0.98	EN(A,D,W)4X48*21**	*9MV*0801716A**	0.98	0.94
ED*4X36J**	MV12F19**B*	EN(A,D,W)4X48*21**	*9MV*0802120A**	0.89	0.97	0.89	0.98	EN(A,D,W)4X48*21**	*9MV*0802120A**	0.98	0.91
ED*4X36J**	MV16J22**B*	EN(A,D,W)4X48*21**	*9MV*1002120A**	0.89	0.97	0.89	0.98	EN(A,D,W)4X48*21**	*9MV*1002120A**	0.98	0.91
ED*4X36J**	MV20L24**B*	EN(A,D,W)4X48*21**	*9MX*0601714A**	0.89	0.97	0.89	0.98	EN(A,D,W)4X48*21**	*9MX*0601714A**	0.98	0.94
ED*4X36J**	*8MPV075	EN(A,D,W)4X48*21**	*9MA*1002120A**	0.95	0.97	0.95	0.98	EN(A,D,W)4X48*21**	*9MA*1002120A**	0.98	0.94
ED*4X36J**	*8MPV100	EN(A,D,W)4X48*21**	*9MA*1002120A**	0.94	0.98	0.94	0.98	EN(A,D,W)4X48*21**	*9MA*1002120A**	0.98	0.90
ED*4X36J**	*8MPV125	EN(A,D,W)4X48*21**	*9MA*1002120A**	0.94	0.98	0.94	0.99	EN(A,D,W)4X48*21**	*9MA*1002120A**	0.99	0.93
ED*4X36J**	*9MA*1002120A**	EN(A,D,W)4X48*21**	*9MA*1002120A**	0.92	0.95	0.92	0.99	EN(A,D,W)4X48*21**	*9MA*1002120A**	0.99	1.01
ED*4X36J**	*9MPV050	END4X42*17**	*8MV*0701412**	0.98	0.95	0.98	0.97	END4X42*17**	*8MV*0701412**	0.97	0.93
ED*4X36J**	*9MPV075	END4X42*17**	*8MV*0901716**	0.96	0.96	0.96	0.97	END4X42*17**	*8MV*0901716**	0.97	0.93
ED*4X36J**	*9MPV100	END4X42*17**	*8MX*0451408**	0.96	0.97	0.96	0.97	END4X42*17**	*8MX*0451408**	0.97	0.97
ED*4X36J**	*9MPV125	END4X42*17**	*8MX*0701716**	0.94	0.98	0.94	0.97	END4X42*17**	*8MX*0701716**	0.97	0.97
ED*4X36J**	*9MV*1002116A**	END4X42*17**	*9MA*0601714A**	0.95	0.97	0.95	0.96	END4X42*17**	*9MA*0601714A**	0.96	0.92
ED*4X36J**	*9MVX040	END4X42*17**	*9MA*0801714A**	0.98	0.95	0.98	0.97	END4X42*17**	*9MA*0801714A**	0.97	0.93
ED*4X36J**	*9MVX060	END4X42*17**	*9MV*0601714A**	0.97	0.97	0.97	0.97	END4X42*17**	*9MV*0601714A**	0.97	0.97
ED*4X36J**	*9MVX080	END4X42*17**	*9MV*0801716A**	0.96	0.98	0.96	0.97	END4X42*17**	*9MV*0801716A**	0.97	0.93
ED*4X36J**	*9MVX100	END4X42*17**	*9MX*0601714A**	0.93	0.97	0.93	0.97	END4X42*17**	*9MX*0601714A**	0.97	0.96
ED*4X36J**	OLV112A16A	END4X42*17**	*9MX*0801716A**	0.95	0.97	0.95	0.97	END4X42*17**	*9MX*0801716A**	0.97	0.93
ED*4X36J**	*8MV*0901716**	END4X42*17**	MV08B15**B*	1.00	0.96	1.00	0.98	END4X42*17**	MV08B15**B*	0.98	0.90
ED*4X42F**	*8MV*1102120**	END4X42*17**	MV12F19**B*	0.91	0.97	0.91	0.98	END4X42*17**	MV12F19**B*	0.98	0.91
ED*4X42F**	*8MX*0701716**	END4X42*17**	*8MPV050	0.91	0.97	0.91	0.97	END4X42*17**	*8MPV050	0.97	0.97
ED*4X42F**	*8MX*0902116**	END4X42*17**	*8MPV075	0.95	0.97	0.95	0.98	END4X42*17**	*8MPV075	0.98	0.96
ED*4X42F**	*8MX*1102120**	END4X42*17**	*9MPV050	0.92	0.97	0.92	0.97	END4X42*17**	*9MPV050	0.97	1.00
ED*4X42F**	*9MA*0601714A**	END4X42*17**	*9MPV075	0.92	0.98	0.92	0.97	END4X42*17**	*9MPV075	0.97	0.97
ED*4X42F**	*9MA*0602120A**	END4X42*17**	*9MVX040	0.94	0.95	0.94	0.97	END4X42*17**	*9MVX040	0.97	0.97
ED*4X42F**	*9MA*0801714A**	END4X42*17**	*9MA*0602120A**	0.92	0.95	0.92	0.98	END4X42*17**	*9MA*0602120A**	0.98	0.98
ED*4X42F**	*9MA*0802120A**	END4X42*17**	OLV098A12A	0.92	0.95	0.92	0.97	END4X42*17**	OLV098A12A	0.97	0.97
ED*4X42F**	*9MA*1002122A**	END4X42*17**	OMV098J12A	0.91	0.96	0.91	0.97	END4X42*17**	OMV098J12A	0.97	0.97
ED*4X42F**	*9MV*0601714A**	END4X42*17**	OMV112K14A	0.91	0.97	0.91	0.97	END4X42*17**	OMV112K14A	0.97	0.93
ED*4X42F**	*9MV*0801716A**	END4X42*17**	*8MV*0701412**	0.96	0.96	0.96	0.98	END4X42*17**	*8MV*0701412**	0.98	1.03
ED*4X42F**	*9MV*0802120A**	ENH4X36*17**	*8MV*0901716**	0.95	0.97	0.95	0.95	ENH4X36*17**	*8MV*0901716**	0.95	0.95
ED*4X42F**	*9MV*1002120A**	ENH4X36*17**	*8MV*0901716**	0.91	0.97	0.91	0.95	ENH4X36*17**	*8MV*0901716**	0.95	0.92
ED*4X42F**	*9MV*1002120A**	ENH4X36*17**	*8MV*1102120**	0.91	0.97	0.91	0.95	ENH4X36*17**	*8MV*1102120**	0.95	0.92

COOLING Multiplying Factors for other Indoor Combinations

Indoor Model	Furnace Model	Indoor Model	Furnace Model	CAPACITY (MBh)	Power (AMPS)	Indoor Model	Furnace Model	CAPACITY (MBh)	Power (AMPS)
ED*4X42F**	*9MX*0601714A**	ENH4X36*17**	*8MV*1352422**	0.97	0.95	ENH4X36*17**	*8MV*1352422**	0.95	0.92
ED*4X42F**	*9MX*0801716A**	ENH4X36*17**	*8MX*0451408**	0.96	0.94	ENH4X36*17**	*8MX*0451408**	0.95	0.98
ED*4X42F**	MV08B15**B*	ENH4X36*17**	*8MX*0701716**	0.97	0.90	ENH4X36*17**	*8MX*0701716**	0.95	0.95
ED*4X42F**	MV12F19**B*	ENH4X36*17**	*8MX*0902116**	0.97	0.90	ENH4X36*17**	*8MX*0902116**	0.96	0.92
ED*4X42F**	*8MPV050	ENH4X36*17**	*8MX*1102120**	0.95	0.98	ENH4X36*17**	*8MX*1102120**	0.96	0.92
ED*4X42F**	*8MPV075	ENH4X36*17**	*9MA*0601714A**	0.97	0.96	ENH4X36*17**	*9MA*0601714A**	0.94	0.94
ED*4X42F**	*9MA*1002120A**	ENH4X36*17**	*9MA*0801714A**	0.96	0.92	ENH4X36*17**	*9MA*0801714A**	0.95	0.95
ED*4X42F**	*9MPV050	ENH4X36*17**	*9MA*1202422A**	0.96	0.98	ENH4X36*17**	*9MA*1202422A**	0.95	0.92
ED*4X42F**	*9MPV075	ENH4X36*17**	*9MV*0601714A**	0.97	0.97	ENH4X36*17**	*9MV*0601714A**	0.95	0.95
ED*4X42F**	*9MV*1002116A**	ENH4X36*17**	*9MV*0801716A**	0.97	0.95	ENH4X36*17**	*9MV*0801716A**	0.95	0.95
ED*4X42F**	*9MVX040	ENH4X36*17**	*9MV*1202422A**	0.96	0.98	ENH4X36*17**	*9MV*1202422A**	0.95	0.92
ED*4X42F**	*9MVX060	ENH4X36*17**	*9MV*1202422A**	0.97	0.97	ENH4X36*17**	*9MV*1202422A**	0.95	0.95
ED*4X42F**	OLV098A12A	ENH4X36*17**	*9MX*0801716A**	0.96	0.96	ENH4X36*17**	*9MX*0801716A**	0.95	0.95
ED*4X42F**	OLV112A16A	ENH4X36*17**	MV08B15**B*	0.97	0.95	ENH4X36*17**	MV08B15**B*	0.96	0.92
ED*4X42F**	OMV098J12A	ENH4X36*17**	MV12F19**B*	0.96	0.96	ENH4X36*17**	MV12F19**B*	0.97	0.91
ED*4X42F**	OMV112K14A	ENH4X36*17**	*8MPV050	0.97	0.95	ENH4X36*17**	*8MPV050	0.95	0.99
ED*4X42F**		ENH4X36*17**	*8MPV075	0.97	1.01	ENH4X36*17**	*8MPV075	0.96	0.96
ED*4X42J**	*8MV*1102120**	ENH4X36*17**	*8MPV100	0.97	0.91	ENH4X36*17**	*8MPV100	0.97	0.95
ED*4X42J**	*8MV*1352422**	ENH4X36*17**	*8MPV125	0.97	0.89	ENH4X36*17**	*8MPV125	0.97	0.93
ED*4X42J**	*8MX*0902116**	ENH4X36*17**	*9MA*1002120A**	0.97	0.92	ENH4X36*17**	*9MA*1002120A**	0.95	0.95
ED*4X42J**	*8MX*1102120**	ENH4X36*17**	*9MPV050	0.98	0.90	ENH4X36*17**	*9MPV050	0.95	0.97
ED*4X42J**	*9MA*0602120A**	ENH4X36*17**	*9MPV075	0.95	0.92	ENH4X36*17**	*9MPV075	0.95	0.97
ED*4X42J**	*9MA*0802120A**	ENH4X36*17**	*9MPV100	0.96	0.89	ENH4X36*17**	*9MPV100	0.97	0.95
ED*4X42J**	*9MA*1002122A**	ENH4X36*17**	*9MPV125	0.97	0.89	ENH4X36*17**	*9MPV125	0.97	0.95
ED*4X42J**	*9MA*1202422A**	ENH4X36*17**	*9MV*1002116A**	0.96	0.91	ENH4X36*17**	*9MV*1002116A**	0.95	0.95
ED*4X42J**	*9MV*0802120A**	ENH4X36*17**	*9MVX040	0.97	0.91	ENH4X36*17**	*9MVX040	0.95	0.99
ED*4X42J**	*9MV*1002120A**	ENH4X36*17**	*9MVX060	0.97	0.91	ENH4X36*17**	*9MVX060	0.95	0.95
ED*4X42J**	*9MV*1202422A**	ENH4X36*17**	*9MVX080	0.97	0.91	ENH4X36*17**	*9MVX080	0.97	0.97
ED*4X42J**	MV12F19**B*	ENH4X36*17**	*9MVX100	0.97	0.90	ENH4X36*17**	*9MVX100	0.96	0.96
ED*4X42J**	MV16J22**B*	ENH4X36*17**	OLV098A12A	0.97	0.90	ENH4X36*17**	OLV098A12A	0.95	0.95
ED*4X42J**	MV20L24**B*	ENH4X36*17**	OLV112A16A	0.97	0.90	ENH4X36*17**	OLV112A16A	0.96	0.96
ED*4X42J**	*8MPV075	ENH4X36*17**	OLV154F20A	0.97	0.96	ENH4X36*17**	OLV154F20A	0.98	0.98
ED*4X42J**	*8MPV100	ENH4X36*17**	OMV098J12A	0.98	0.94	ENH4X36*17**	OMV098J12A	0.95	0.95
ED*4X42J**	*8MPV125	ENH4X36*17**	OMV112K14A	0.98	0.93	ENH4X36*17**	OMV112K14A	0.95	0.95
ED*4X42J**	*9MA*1002120A**	ENH4X36*17**		0.96	0.92	ENH4X36*17**		0.96	1.00

COOLING Multiplying Factors for other Indoor Combinations

Indoor Model	Furnace Model	CAPACITY (MBh)	Power (AMPS)	Indoor Model	Furnace Model	CAPACITY (MBh)	Power (AMPS)
ED*4X42J**	*9MPV050	0.96	0.96	ENH4X42*21**	*8MV*0701412**	0.96	0.96
ED*4X42J**	*9MPV075	0.97	0.97	ENH4X42*21**	*8MV*0901716**	0.97	0.93
ED*4X42J**	*9MPV100	0.98	0.96	ENH4X42*21**	*8MV*1102120**	0.97	0.93
ED*4X42J**	*9MPV125	0.98	0.94	ENH4X42*21**	*8MV*1352422**	0.97	0.93
ED*4X42J**	*9MV*1002116A**	0.97	0.93	ENH4X42*21**	*8MX*0451408**	0.97	0.97
ED*4X42J**	*9MVX040	0.96	0.96	ENH4X42*21**	*8MX*0701716**	0.97	0.97
ED*4X42J**	*9MVX060	0.97	0.97	ENH4X42*21**	*8MX*0902116**	0.97	0.93
ED*4X42J**	*9MVX080	0.98	0.97	ENH4X42*21**	*8MX*1102120**	0.98	0.90
ED*4X42J**	*9MVX100	0.98	0.94	ENH4X42*21**	*9MA*0601714A**	0.95	0.95
ED*4X42J**	OLV112A16A	0.97	0.96	ENH4X42*21**	*9MA*0602120A**	0.96	0.94
ED*4X42J**		0.97	1.01	ENH4X42*21**	*9MA*0801714A**	0.95	0.92
ED*4X42L**	*8MV*1102120**	0.97	0.91	ENH4X42*21**	*9MA*0802120A**	0.96	0.91
ED*4X42L**	*8MV*1352422**	0.97	0.89	ENH4X42*21**	*9MA*1002122A**	0.97	0.91
ED*4X42L**	*8MX*0902116**	0.98	0.90	ENH4X42*21**	*9MA*1202422A**	0.96	0.92
ED*4X42L**	*8MX*1102120**	0.98	0.90	ENH4X42*21**	*9MV*0601714A**	0.96	0.96
ED*4X42L**	*9MA*0602120A**	0.96	0.92	ENH4X42*21**	*9MV*0801716A**	0.97	0.93
ED*4X42L**	*9MA*0802120A**	0.96	0.89	ENH4X42*21**	*9MV*0802120A**	0.97	0.93
ED*4X42L**	*9MA*1002122A**	0.97	0.89	ENH4X42*21**	*9MV*1002120A**	0.97	0.91
ED*4X42L**	*9MA*1202422A**	0.96	0.91	ENH4X42*21**	*9MV*1202422A**	0.97	0.93
ED*4X42L**	*9MV*0802120A**	0.97	0.91	ENH4X42*21**	*9MX*0601714A**	0.97	0.97
ED*4X42L**	*9MV*1002120A**	0.97	0.89	ENH4X42*21**	*9MX*0801716A**	0.96	0.92
ED*4X42L**	MV16J22**B*	0.97	0.92	ENH4X42*21**	*9MX*1002120A**	0.98	0.94
ED*4X42L**	MV20L24**B*	0.97	0.90	ENH4X42*21**	MV08B15**B*	0.97	0.92
ED*4X42L**	*8MPV100	0.99	0.90	ENH4X42*21**	MV12F19**B*	0.98	0.90
ED*4X42L**	*8MPV125	0.98	0.95	ENH4X42*21**	MV16J22**B*	0.98	0.90
ED*4X42L**	*9MA*1002120A**	0.96	0.93	ENH4X42*21**	MV20L24**B*	0.98	0.90
ED*4X42L**	*9MPV100	0.98	0.92	ENH4X42*21**	*8MPV050	0.96	0.98
ED*4X42L**	*9MPV125	0.98	0.94	ENH4X42*21**	*8MPV075	0.97	0.96
ED*4X42L**	*9MV*1002116A**	0.97	0.94	ENH4X42*21**	*8MPV100	0.98	0.94
ED*4X42L**	*9MVX080	0.98	0.93	ENH4X42*21**	*8MPV125	0.98	0.93
ED*4X42L**	*9MVX100	0.98	0.97	ENH4X42*21**	*9MA*1002120A**	0.96	0.92
ED*4X42L**	OLV112A16A	0.97	0.94	ENH4X42*21**	*9MPV050	0.96	0.98
ED*4X42L**	OLV154F20A	0.99	0.96	ENH4X42*21**	*9MPV075	0.97	0.97
ED*4X42L**		0.97	1.01	ENH4X42*21**	*9MPV100	0.98	0.96
ED*4X42L**		0.97	0.93	ENH4X42*21**	*9MPV125	0.98	0.94

COOLING Multiplying Factors for other Indoor Combinations

Indoor Model	Furnace Model	CAPACITY (MBh)	Power (AMPS)	Indoor Model	Furnace Model	CAPACITY (MBh)	Power (AMPS)
ED*4X48F**	*9MA*0602120A**	0.98	0.92	ENH4X42*21**	*9MV*1002116A**	0.97	0.93
ED*4X48F**	*9MA*0802120A**	0.98	0.90	ENH4X42*21**	*9MVX040	0.96	1.00
ED*4X48F**	*9MA*1002122A**	0.98	0.91	ENH4X42*21**	*9MVX060	0.97	0.97
ED*4X48F**	*9MV*0802120A**	0.98	0.91	ENH4X42*21**	*9MVX080	0.98	0.98
ED*4X48F**	*9MV*1002120A**	0.98	0.91	ENH4X42*21**	*9MVX100	0.98	0.94
ED*4X48J**	*9MA*0602120A**	0.97	0.93	ENH4X42*21**	OLV098A12A	0.96	0.96
ED*4X48J**	*9MA*0802120A**	0.97	0.90	ENH4X42*21**	OLV112A16A	0.97	0.97
ED*4X48J**	*9MA*1002122A**	0.98	0.90	ENH4X42*21**	OLV154F20A	0.99	0.95
ED*4X48J**	*9MA*1202422A**	0.97	0.90	ENH4X42*21**	OMV098J12A	0.96	0.96
ED*4X48J**	*9MV*0802120A**	0.98	0.90	ENH4X42*21**	OMV112K14A	0.97	0.93
ED*4X48J**	*9MV*1002120A**	0.98	0.90	ENH4X42*21**		0.97	1.01
ED*4X48J**	*9MV*1202422A**	0.98	0.90	ENH4X43*21**	*8MV*0701412**	0.99	0.95
ED*4X48J**	*9MA*1002120A**	0.97	0.92	ENH4X43*21**	*8MV*0901716**	0.99	0.91
ED*4X48J**	*9MV*1002116A**	0.98	0.94	ENH4X43*21**	*8MV*1102120**	0.99	0.92
ED*4X48J**	*9MVX060	0.98	0.98	ENH4X43*21**	*8MV*1352422**	0.99	0.92
ED*4X48J**	*9MVX080	0.99	0.95	ENH4X43*21**	*8MX*0451408**	0.99	0.99
ED*4X48J**		0.98	1.01	ENH4X43*21**	*8MX*0701716**	0.99	0.95
EHD4X36A**	*8MV*0701412**	0.97	0.93	ENH4X43*21**	*8MX*0902116**	1.00	0.92
EHD4X36A**	*8MV*0901716**	0.98	0.90	ENH4X43*21**	*8MX*1102120**	1.01	0.93
EHD4X36A**	*8MV*1102120**	0.98	0.90	ENH4X43*21**	*9MA*0601714A**	0.98	0.94
EHD4X36A**	*8MV*1352422**	0.98	0.90	ENH4X43*21**	*9MA*0602120A**	0.98	0.91
EHD4X36A**	*8MX*0451408**	0.98	0.98	ENH4X43*21**	*9MA*0801714A**	0.98	0.91
EHD4X36A**	*8MX*0701716**	0.98	0.98	ENH4X43*21**	*9MA*0802120A**	0.99	0.91
EHD4X36A**	*8MX*0902116**	0.98	0.91	ENH4X43*21**	*9MA*1002122A**	0.99	0.91
EHD4X36A**	*8MX*1102120**	0.99	0.91	ENH4X43*21**	*9MA*1202422A**	0.99	0.91
EHD4X36A**	*9MA*0601714A**	0.97	0.93	ENH4X43*21**	*9MV*0601714A**	0.98	0.92
EHD4X36A**	*9MA*0602120A**	0.97	0.93	ENH4X43*21**	*9MV*0801716A**	0.98	0.91
EHD4X36A**	*9MA*0801714A**	0.97	0.93	ENH4X43*21**	*9MV*0802120A**	0.99	0.92
EHD4X36A**	*9MA*0802120A**	0.97	0.90	ENH4X43*21**	*9MV*1002120A**	0.99	0.92
EHD4X36A**	*9MA*1002122A**	0.98	0.90	ENH4X43*21**	*9MV*1202422A**	0.98	0.89
EHD4X36A**	*9MA*1202422A**	0.97	0.90	ENH4X43*21**	*9MX*0601714A**	0.99	0.95
EHD4X36A**	*9MV*0601714A**	0.98	0.96	ENH4X43*21**	*9MX*0801716A**	0.99	0.91
EHD4X36A**	*9MV*0801716A**	0.98	0.94	ENH4X43*21**	*9MX*1002120A**	1.01	0.93
EHD4X36A**	*9MV*0802120A**	0.98	0.90	ENH4X43*21**	MV08B15**B*	1.00	0.91
EHD4X36A**	*9MV*1002120A**	0.98	0.90	ENH4X43*21**	MV12F19**B*	1.00	0.91

COOLING Multiplying Factors for other Indoor Combinations

Indoor Model	Furnace Model	CAPACITY (MBh)	Power (AMPS)	Indoor Model	Furnace Model	CAPACITY (MBh)	Power (AMPS)
EHD4X36A**	*9MV*1202422A**	0.98	0.90	ENH4X43*21**	MV16J22**B*	1.00	0.91
EHD4X36A**	*9MX*0601714A**	0.98	0.94	ENH4X43*21**	MV20L24**B*	1.00	0.91
EHD4X36A**	*9MX*0801716A**	0.97	0.93	ENH4X43*21**	*8MPV050	0.99	0.99
EHD4X36A**	*9MX*1002120A**	0.99	0.95	ENH4X43*21**	*8MPV075	1.00	0.94
EHD4X36A**	MV08B15**B*	0.98	0.91	ENH4X43*21**	*8MPV100	1.01	0.93
EHD4X36A**	MV12F19**B*	0.99	0.91	ENH4X43*21**	*8MPV125	1.01	0.93
EHD4X36A**	MV16J22**B*	0.99	0.91	ENH4X43*21**	*9MA*1002120A**	0.99	0.91
EHD4X36A**	MV20L24**B*	0.99	0.91	ENH4X43*21**	*9MPV050	0.99	0.97
EHD4X36A**	*8MPV050	0.97	1.00	ENH4X43*21**	*9MPV075	0.99	0.98
EHD4X36A**	*8MPV075	0.98	0.94	ENH4X43*21**	*9MPV100	1.01	0.95
EHD4X36A**	*8MPV100	0.99	0.94	ENH4X43*21**	*9MPV125	1.01	0.93
EHD4X36A**	*8MPV125	0.99	0.94	ENH4X43*21**	*9MV*1002116A**	0.98	0.91
EHD4X36A**	*9MA*1002120A**	0.97	0.93	ENH4X43*21**	*9MVX040	0.99	0.99
EHD4X36A**	*9MPV050	0.97	1.00	ENH4X43*21**	*9MVX060	1.00	1.00
EHD4X36A**	*9MPV075	0.98	0.98	ENH4X43*21**	*9MVX080	1.01	0.97
EHD4X36A**	*9MPV100	0.99	0.95	ENH4X43*21**	*9MVX100	1.01	0.93
EHD4X36A**	*9MPV125	0.99	0.94	ENH4X43*21**	OLV098A12A	0.98	0.94
EHD4X36A**	*9MV*1002116A**	0.98	0.94	ENH4X43*21**	OLV112A16A	0.99	0.95
EHD4X36A**	*9MVX040	0.97	0.97	ENH4X43*21**	OLV154F20A	1.00	0.92
EHD4X36A**	*9MVX060	0.98	0.98	ENH4X43*21**	OMV098J12A	0.99	0.95
EHD4X36A**	*9MVX080	0.99	0.95	ENH4X43*21**	OMV112K14A	0.99	0.92
EHD4X36A**	*9MVX100	0.99	0.95	ENH4X43*21**		1.00	1.00
EHD4X36A**	OLV098A12A	0.97	0.97	ENH4X48*21**	*8MV*0701412**	0.98	0.94
EHD4X36A**	OLV112A16A	0.98	0.94	ENH4X48*21**	*8MV*0901716**	0.98	0.90
EHD4X36A**	OLV154F20A	1.00	0.96	ENH4X48*21**	*8MV*1102120**	0.98	0.91
EHD4X36A**	OMV098J12A	0.97	0.97	ENH4X48*21**	*8MV*1352422**	0.98	0.91
EHD4X36A**	OMV112K14A	0.98	0.94	ENH4X48*21**	*8MX*0451408**	0.98	0.98
EHD4X36A**		0.98	1.01	ENH4X48*21**	*8MX*0701716**	0.98	0.94
EHD4X42A**	*8MV*0701412**	0.98	0.94	ENH4X48*21**	*8MX*0902116**	0.99	0.91
EHD4X42A**	*8MV*0901716**	0.98	0.91	ENH4X48*21**	*8MX*1102120**	0.99	0.92
EHD4X42A**	*8MV*1102120**	0.98	0.91	ENH4X48*21**	*9MA*0601714A**	0.97	0.93
EHD4X42A**	*8MV*1352422**	0.98	0.91	ENH4X48*21**	*9MA*0602120A**	0.97	0.92
EHD4X42A**	*8MX*0451408**	0.98	0.98	ENH4X48*21**	*9MA*0801714A**	0.97	0.93
EHD4X42A**	*8MX*0701716**	0.98	0.94	ENH4X48*21**	*9MA*0802120A**	0.98	0.90
EHD4X42A**	*8MX*0902116**	0.99	0.91	ENH4X48*21**	*9MA*1002122A**	0.98	0.91

COOLING Multiplying Factors for other Indoor Combinations						
Indoor Model	Furnace Model	CAPACITY (MBh)	Power (AMPS)	Indoor Model	Furnace Model	Power (AMPS)
EHD4X42A**	*8MX*1102120**	0.99	0.92	ENH4X48*21**	*9MA*1202422A**	0.90
EHD4X42A**	*9MA*0601714A**	0.97	0.93	ENH4X48*21**	*9MV*0601714A**	0.94
EHD4X42A**	*9MA*0602120A**	0.97	0.92	ENH4X48*21**	*9MV*0801716A**	0.94
EHD4X42A**	*9MA*0801714A**	0.97	0.93	ENH4X48*21**	*9MV*0802120A**	0.91
EHD4X42A**	*9MA*0802120A**	0.98	0.90	ENH4X48*21**	*9MV*1002120A**	0.91
EHD4X42A**	*9MA*1002122A**	0.98	0.91	ENH4X48*21**	*9MV*1202422A**	0.91
EHD4X42A**	*9MA*1202422A**	0.98	0.90	ENH4X48*21**	*9MX*0601714A**	0.94
EHD4X42A**	*9MV*0601714A**	0.98	0.94	ENH4X48*21**	*9MX*0801716A**	0.92
EHD4X42A**	*9MV*0801716A**	0.98	0.94	ENH4X48*21**	*9MA*1002120A**	0.90
EHD4X42A**	*9MV*0802120A**	0.98	0.91	ENH4X48*21**	*9MV*1002116A**	0.95
EHD4X42A**	*9MV*1002120A**	0.98	0.91	ENH4X48*21**		1.01
EHD4X42A**	*9MV*1202422A**	0.98	0.91	ENH4X60*24**	*8MX*0902116**	0.92
EHD4X42A**	*9MX*0601714A**	0.98	0.94	ENH4X60*24**		0.99
EHD4X42A**	*9MX*0801716A**	0.98	0.92	FCM4X24****		0.96
EHD4X42A**	*9MX*1002120A**	1.00	0.92	FCM4X36****		0.97
EHD4X42A**	MV08B15**B*	0.99	0.91	FCM4X48****		0.92
EHD4X42A**	MV12F19**B*	0.99	0.90	FCM4X60****		1.01
EHD4X42A**	MV16J22**B*	0.99	0.90	FEA4X36**A*		0.97
EHD4X42A**	MV20L24**B*	0.99	0.90	FEM4P36**A*		0.96
EHD4X42A**	*8MPV050	0.98	0.98	FEM4P42**A*		0.95
EHD4X42A**	*8MPV075	0.99	0.95	FEM4P48**A*		0.95
EHD4X42A**	*8MPV100	1.00	0.94	FEM4X36****		0.95
EHD4X42A**	*8MPV125	1.00	0.92	FEM4X42****		0.97
EHD4X42A**	*9MA*1002120A**	0.98	0.92	FS(M,U)4P36**A*		0.97
EHD4X42A**	*9MPV050	0.98	0.98	FS(M,U)4P42**A*		0.98
EHD4X42A**	*9MPV075	0.98	0.97	FSA4X36**A*		1.05
EHD4X42A**	*9MPV100	1.00	0.96	FVM4X36****		0.89
EHD4X42A**	*9MPV125	1.00	0.94	FVM4X48****		0.90
EHD4X42A**	*9MV*1002116A**	0.99	0.93	FVM4X60****		1.01
EHD4X42A**	*9MVX040	0.98	0.98	FXM4X36**A*		0.92
EHD4X42A**	*9MVX060	0.99	0.99	FXM4X42**A*		0.92
EHD4X42A**				FXM4X48**A*		0.93
COOLING Multiplying Factors for other Indoor Combinations						
Indoor Model	Furnace Model	CAPACITY (MBh)	Power (AMPS)	Indoor Model	Furnace Model	Power (AMPS)

COOLING Multiplying Factors for other Indoor Combinations						
Indoor Model	Furnace Model	CAPACITY (MBh)	Power (AMPS)	Indoor Model	Furnace Model	Power (AMPS)
(C,H,T)SA642						
*EN(A,D)4X43*24**		1.00	1.00	EHD4X42A**	*9MV*1002116A**	0.92
EA*4X42*21A*	*8MV*0901716**	0.95	0.91	EHD4X42A**	*9MVX060	0.98
EA*4X42*21A*	*8MV*1102120**	0.95	0.88	EHD4X42A**	*9MVX080	0.95
EA*4X42*21A*	*8MX*0701716**	0.95	0.95	EHD4X42A**	*9MVX100	0.90
EA*4X42*21A*	*8MX*0902116**	0.96	0.89	EHD4X42A**	*9MX*1002116A**	0.92
EA*4X42*21A*	*8MX*1102120**	0.96	0.89	EHD4X42A**	OLV112A16A	0.94
EA*4X42*21A*	*9MA*0601714A**	0.94	0.93	EHD4X42A**	OLV154F20A	0.94
EA*4X42*21A*	*9MA*0602120A**	0.94	0.90	EHD4X42A**	OMV112K14A	0.94
EA*4X42*21A*	*9MA*0801714A**	0.94	0.90	EHD4X42A**		0.99
EA*4X42*21A*	*9MA*0802120A**	0.95	0.90	EHD4X48A**	*8MV*0701412**	0.94
EA*4X42*21A*	*9MA*1002122A**	0.95	0.90	EHD4X48A**	*8MV*0901716**	0.90
EA*4X42*21A*	*9MV*0601714A**	0.95	0.95	EHD4X48A**	*8MV*1102120**	0.90
EA*4X42*21A*	*9MV*0801716A**	0.95	0.91	EHD4X48A**	*8MV*1352422**	0.91
EA*4X42*21A*	*9MV*0802120A**	0.95	0.90	EHD4X48A**	*8MX*0701716**	0.94
EA*4X42*21A*	*9MV*1002120A**	0.95	0.90	EHD4X48A**	*8MX*0902116**	0.91
EA*4X42*21A*	*9MX*0601714A**	0.95	0.95	EHD4X48A**	*8MX*1102120**	0.91
EA*4X42*21A*	*9MX*0801716A**	0.95	0.94	EHD4X48A**	*8MX*1352420**	0.91
EA*4X42*21A*	*9MX*0802120A**	0.96	0.91	EHD4X48A**	*9MA*0601714A**	0.93
EA*4X42*21A*	*9MX*1002120A**	0.95	0.90	EHD4X48A**	*9MA*0602120A**	0.91
EA*4X42*21A*	MV12F19**B*	0.96	0.88	EHD4X48A**	*9MA*0801714A**	0.91
EA*4X42*21A*	MV16J22**B*	0.96	0.88	EHD4X48A**	*9MA*0802120A**	0.90
EA*4X42*21A*	*8MPV075	0.96	0.95	EHD4X48A**	*9MA*1002122A**	0.91
EA*4X42*21A*	*8MPV100	0.96	0.91	EHD4X48A**	*9MA*1202422A**	0.90
EA*4X42*21A*	*8MPV125	0.96	0.91	EHD4X48A**	*9MV*0601714A**	0.94
EA*4X42*21A*	*9MA*1002120A**	0.95	0.91	EHD4X48A**	*9MV*0801716A**	0.94
EA*4X42*21A*	*9MPV075	0.95	0.95	EHD4X48A**	*9MV*0802120A**	0.90
EA*4X42*21A*	*9MPV100	0.96	0.93	EHD4X48A**	*9MV*1002120A**	0.90
EA*4X42*21A*	*9MV*1002116A**	0.95	0.91	EHD4X48A**	*9MV*1202422A**	0.92
EA*4X42*21A*	*9MX*1002116A**	0.95	0.91	EHD4X48A**	*9MX*0601714A**	0.94
EA*4X42*21A*	OLV112A16A	0.95	0.95	EHD4X48A**	*9MX*0801716A**	0.94
EA*4X42*21A*	*8MV*1102120**	0.96	1.01	EHD4X48A**	*9MX*0802120A**	0.91
EA*4X42*24A*	*8MV*1352422**	0.95	0.88	EHD4X48A**	*9MX*1002120A**	0.90
EA*4X42*24A*	*8MX*0902116**	0.96	0.89	EHD4X48A**	*9MX*1202422A**	0.93
EA*4X42*24A*		0.96	0.89	EHD4X48A**	MV12F19**B*	0.90

COOLING Multiplying Factors for other Indoor Combinations

Indoor Model	Furnace Model	CAPACITY (MBh)	Power (AMPS)	Indoor Model	Furnace Model	CAPACITY (MBh)	Power (AMPS)
EA*4X42*24A*	*8MX*1102120**	0.96	0.89	EHD4X48A**	MV16J22**B*	0.99	0.88
EA*4X42*24A*	*8MX*1352420**	0.96	0.89	EHD4X48A**	MV20L24**B*	0.99	0.88
EA*4X42*24A*	*9MA*0602120A**	0.94	0.90	EHD4X48A**	*8MPV075	0.99	0.95
EA*4X42*24A*	*9MA*0802120A**	0.95	0.90	EHD4X48A**	*8MPV100	0.99	0.91
EA*4X42*24A*	*9MA*1002122A**	0.96	0.91	EHD4X48A**	*8MPV125	0.99	0.91
EA*4X42*24A*	*9MA*1202422A**	0.95	0.90	EHD4X48A**	*9MA*1002120A**	0.98	0.92
EA*4X42*24A*	*9MV*0802120A**	0.95	0.90	EHD4X48A**	*9MPV075	0.98	0.96
EA*4X42*24A*	*9MV*1002120A**	0.95	0.90	EHD4X48A**	*9MPV100	0.99	0.93
EA*4X42*24A*	*9MV*1202422A**	0.95	0.90	EHD4X48A**	*9MPV125	0.99	0.91
EA*4X42*24A*	*9MX*0802120A**	0.96	0.91	EHD4X48A**	*9MV*1002116A**	0.98	0.92
EA*4X42*24A*	*9MX*1002120A**	0.96	0.91	EHD4X48A**	*9MVX060	0.98	0.98
EA*4X42*24A*	*9MX*1202422A**	0.96	0.91	EHD4X48A**	*9MVX080	0.99	0.95
EA*4X42*24A*	MV16J22**B*	0.96	0.88	EHD4X48A**	*9MVX100	0.99	0.91
EA*4X42*24A*	MV20L24**B*	0.96	0.88	EHD4X48A**	*9MX*1002116A**	0.98	0.92
EA*4X42*24A*	*8MPV100	0.96	0.91	EHD4X48A**	OLV112A16A	0.99	0.95
EA*4X42*24A*	*8MPV125	0.96	0.91	EHD4X48A**	OLV154F20A	1.00	0.92
EA*4X42*24A*	*9MA*1002120A**	0.95	0.90	EHD4X48A**	OMV112K14A	0.98	0.94
EA*4X42*24A*	*9MPV100	0.96	0.93	EHD4X48A**		0.99	0.99
EA*4X42*24A*	*9MPV125	0.96	0.91	EHD4X60A**	*8MV*0701412**	0.99	0.91
EA*4X42*24A*	*9MV*1002116A**	0.96	0.93	EHD4X60A**	*8MV*0901716**	0.99	0.91
EA*4X42*24A*	*9MV*1002116A**	0.96	0.93	EHD4X60A**	*8MV*1102120**	0.99	0.91
EA*4X42*24A*	*9MX*1002116A**	0.95	0.91	EHD4X60A**	*8MV*1352422**	0.99	0.91
EA*4X42*24A*		0.96	1.01	EHD4X60A**	*8MX*0701716**	0.99	0.95
EA*4X48*17A*	*8MV*0701412**	0.98	0.94	EHD4X60A**	*8MX*0902116**	1.00	0.92
EA*4X48*17A*	*8MV*0901716**	0.98	0.90	EHD4X60A**	*8MX*1102120**	1.00	0.92
EA*4X48*17A*	*8MX*0701716**	0.98	0.98	EHD4X60A**	*8MX*1352420**	1.00	0.92
EA*4X48*17A*	*9MA*0601714A**	0.96	0.93	EHD4X60A**	*9MA*0601714A**	0.98	0.92
EA*4X48*17A*	*9MA*0801714A**	0.96	0.93	EHD4X60A**	*9MA*0602120A**	0.98	0.90
EA*4X48*17A*	*9MV*0601714A**	0.96	0.95	EHD4X60A**	*9MA*0801714A**	0.98	0.92
EA*4X48*17A*	*9MV*0801716A**	0.98	0.94	EHD4X60A**	*9MA*0802120A**	0.99	0.91
EA*4X48*17A*	*9MX*0601714A**	0.98	0.94	EHD4X60A**	*9MA*1002122A**	0.99	0.90
EA*4X48*17A*	*9MX*0801716A**	0.98	0.94	EHD4X60A**	*9MA*1202422A**	0.99	0.91
EA*4X48*17A*	MV12F19**B*	0.99	0.90	EHD4X60A**	*9MV*0601714A**	0.99	0.95
EA*4X48*17A*	*8MPV075	0.98	0.94	EHD4X60A**	*9MV*0801716A**	0.99	0.93
EA*4X48*17A*	*9MPV075	0.98	0.96	EHD4X60A**	*9MV*0802120A**	0.99	0.91

COOLING Multiplying Factors for other Indoor Combinations

Indoor Model	Furnace Model	CAPACITY (MBh)	Power (AMPS)	Indoor Model	Furnace Model	CAPACITY (MBh)	Power (AMPS)
EA*4X48*17A*	OMV112K14A	0.98	0.94	EHD4X60A**	*9MV*1002120A**	0.99	0.91
EA*4X48*17A*		0.99	0.99	EHD4X60A**	*9MV*1202422A**	1.00	0.92
EA*4X48*21A*	*8MV*0901716**	0.96	0.89	EHD4X60A**	*9MX*0601714A**	0.99	0.95
EA*4X48*21A*	*8MV*1102120**	0.98	0.90	EHD4X60A**	*9MX*0801716A**	1.00	0.94
EA*4X48*21A*	*8MX*0701716**	0.96	0.96	EHD4X60A**	*9MX*0802120A**	1.00	0.92
EA*4X48*21A*	*8MX*0902116**	0.98	0.90	EHD4X60A**	*9MX*1002120A**	1.00	0.92
EA*4X48*21A*	*8MX*1102120**	0.98	0.90	EHD4X60A**	*9MX*1202422A**	1.00	0.92
EA*4X48*21A*	*9MA*0601714A**	0.95	0.91	EHD4X60A**	*9MA*1002120A**	0.99	0.91
EA*4X48*21A*	*9MA*0602120A**	0.96	0.91	EHD4X60A**	*9MV*1002116A**	1.00	0.94
EA*4X48*21A*	*9MA*0801714A**	0.96	0.93	EHD4X60A**	*9MX*1002116A**	0.99	0.93
EA*4X48*21A*	*9MA*0802120A**	0.96	0.89	EHD4X60A**		1.00	1.00
EA*4X48*21A*	*9MA*1002122A**	0.98	0.90	EN(A,D)4X43*24**	*8MV*1102120**	0.99	0.91
EA*4X48*21A*	*9MV*0601714A**	0.96	0.95	EN(A,D)4X43*24**	*8MV*1352422**	0.99	0.91
EA*4X48*21A*	*9MV*0801716A**	0.96	0.93	EN(A,D)4X43*24**	*8MX*0902116**	0.99	0.91
EA*4X48*21A*	*9MV*0802120A**	0.96	0.89	EN(A,D)4X43*24**	*8MX*1102120**	1.00	0.92
EA*4X48*21A*	*9MV*1002120A**	0.96	0.89	EN(A,D)4X43*24**	*8MX*1352420**	1.00	0.92
EA*4X48*21A*	*9MX*0601714A**	0.96	0.93	EN(A,D)4X43*24**	*9MA*0602120A**	0.98	0.90
EA*4X48*21A*	*9MX*0801716A**	0.98	0.94	EN(A,D)4X43*24**	*9MA*0802120A**	0.98	0.90
EA*4X48*21A*	*9MX*0802120A**	0.98	0.92	EN(A,D)4X43*24**	*9MA*1002122A**	0.99	0.91
EA*4X48*21A*	*9MX*1002120A**	0.96	0.89	EN(A,D)4X43*24**	*9MA*1202422A**	0.98	0.90
EA*4X48*21A*	MV12F19**B*	0.98	0.89	EN(A,D)4X43*24**	*9MV*0802120A**	0.99	0.91
EA*4X48*21A*	MV16J22**B*	0.98	0.89	EN(A,D)4X43*24**	*9MV*1002120A**	0.99	0.91
EA*4X48*21A*	*8MPV075	0.98	0.94	EN(A,D)4X43*24**	*9MV*1202422A**	0.98	0.90
EA*4X48*21A*	*8MPV100	0.98	0.92	EN(A,D)4X43*24**	*9MX*0802120A**	1.00	0.92
EA*4X48*21A*	*8MPV125	0.98	0.90	EN(A,D)4X43*24**	*9MX*1002120A**	0.99	0.91
EA*4X48*21A*	*9MA*1002120A**	0.96	0.91	EN(A,D)4X43*24**	*9MX*1202422A**	1.00	0.92
EA*4X48*21A*	*9MPV075	0.96	0.96	EN(A,D)4X43*24**	MV16J22**B*	1.00	0.88
EA*4X48*21A*	*9MPV100	0.98	0.92	EN(A,D)4X43*24**	MV20L24**B*	1.00	0.88
EA*4X48*21A*	*9MV*1002116A**	0.98	0.94	EN(A,D)4X43*24**	*8MPV100	1.00	0.91
EA*4X48*21A*	*9MX*1002116A**	0.96	0.91	EN(A,D)4X43*24**	*8MPV125	1.00	0.91
EA*4X48*21A*	OLV112A16A	0.98	0.94	EN(A,D)4X43*24**	*9MA*1002120A**	0.98	0.90
EA*4X48*21A*		0.98	0.98	EN(A,D)4X43*24**	*9MPV100	1.00	0.92
EA*4X48*24A*	*8MV*1102120**	0.98	0.90	EN(A,D)4X43*24**	*9MPV125	1.00	0.91
EA*4X48*24A*	*8MV*1352422**	0.98	0.90	EN(A,D)4X43*24**	*9MV*1002116A**	0.98	0.90
EA*4X48*24A*	*8MX*0902116**	0.98	0.90	EN(A,D)4X43*24**	*9MVX080	1.00	0.92

COOLING Multiplying Factors for other Indoor Combinations

Indoor Model	Furnace Model	CAPACITY (MBh)	Power (AMPS)	Indoor Model	Furnace Model	CAPACITY (MBh)	Power (AMPS)
EA*4X48*24A*	*8MX*1102120**	0.98	0.90	EN(A,D)4X43*24**	*9MVX100	0.99	0.91
EA*4X48*24A*	*8MX*1352420**	0.98	0.90	EN(A,D)4X43*24**	*9MX*1002116A**	0.99	0.93
EA*4X48*24A*	*9MA*0602120A**	0.96	0.91	EN(A,D)4X48*24**	*8MV*1102120**	0.98	0.90
EA*4X48*24A*	*9MA*0802120A**	0.96	0.89	EN(A,D)4X48*24**	*8MV*1352422**	0.98	0.90
EA*4X48*24A*	*9MA*1002122A**	0.98	0.90	EN(A,D)4X48*24**	*8MX*0902116**	0.98	0.90
EA*4X48*24A*	*9MA*1202422A**	0.96	0.91	EN(A,D)4X48*24**	*8MX*1102120**	0.98	0.90
EA*4X48*24A*	*9MV*0802120A**	0.98	0.90	EN(A,D)4X48*24**	*8MX*1352420**	0.98	0.90
EA*4X48*24A*	*9MV*1002120A**	0.98	0.90	EN(A,D)4X48*24**	*9MA*0602120A**	0.96	0.91
EA*4X48*24A*	*9MV*1202422A**	0.98	0.92	EN(A,D)4X48*24**	*9MA*0802120A**	0.96	0.89
EA*4X48*24A*	*9MX*0802120A**	0.98	0.92	EN(A,D)4X48*24**	*9MA*1002122A**	0.98	0.90
EA*4X48*24A*	*9MX*1002120A**	0.98	0.90	EN(A,D)4X48*24**	*9MA*1202422A**	0.96	0.89
EA*4X48*24A*	*9MX*1202422A**	0.98	0.92	EN(A,D)4X48*24**	*9MV*0802120A**	0.98	0.90
EA*4X48*24A*	MV16J22**B*	0.98	0.87	EN(A,D)4X48*24**	*9MV*1002120A**	0.98	0.90
EA*4X48*24A*	MV20L24**B*	0.98	0.87	EN(A,D)4X48*24**	*9MV*1202422A**	0.98	0.92
EA*4X48*24A*	*8MPV100	0.99	0.91	EN(A,D)4X48*24**	*9MX*0802120A**	0.98	0.90
EA*4X48*24A*	*8MPV125	0.99	0.91	EN(A,D)4X48*24**	*9MX*1002120A**	0.98	0.90
EA*4X48*24A*	*9MA*1002120A**	0.96	0.91	EN(A,D)4X48*24**	*9MX*1202422A**	0.99	0.93
EA*4X48*24A*	*9MPV100	0.98	0.92	EN(A,D)4X48*24**	MV16J22**B*	0.99	0.88
EA*4X48*24A*	*9MPV125	0.98	0.92	EN(A,D)4X48*24**	MV20L24**B*	0.99	0.88
EA*4X48*24A*	*9MV*1002116A**	0.98	0.92	EN(A,D)4X48*24**	*8MPV100	0.99	0.91
EA*4X48*24A*	*9MVX100	0.98	0.94	EN(A,D)4X48*24**	*8MPV125	0.99	0.91
EA*4X48*24A*	*9MX*1002116A**	0.96	0.91	EN(A,D)4X48*24**	*9MA*1002120A**	0.96	0.91
EA*4X48*24A*	*8MV*0901716**	0.99	0.98	EN(A,D)4X48*24**	*9MPV100	0.99	0.93
EA*4X60*21A*	*8MV*1102120**	0.99	0.91	EN(A,D)4X48*24**	*9MPV125	0.99	0.91
EA*4X60*21A*	*8MV*1202120**	0.99	0.91	EN(A,D)4X48*24**	*9MV*1002116A**	0.98	0.92
EA*4X60*21A*	*8MX*0701716**	0.99	0.95	EN(A,D)4X48*24**	*9MVX080	0.99	0.93
EA*4X60*21A*	*8MX*0902116**	0.99	0.91	EN(A,D)4X48*24**	*9MVX100	0.98	0.94
EA*4X60*21A*	*8MX*1102120**	0.99	0.91	EN(A,D)4X48*24**	*9MX*1002116A**	0.98	0.92
EA*4X60*21A*	*9MA*0601714A**	0.98	0.94	EN(A,D)4X48*24**	*8MV*0901716**	0.95	0.91
EA*4X60*21A*	*9MA*0602120A**	0.98	0.92	EN(A,D,W)4X42*21**	*8MV*1102120**	0.95	0.91
EA*4X60*21A*	*9MA*0801714A**	0.98	0.92	EN(A,D,W)4X42*21**	*8MV*1202120**	0.95	0.91
EA*4X60*21A*	*9MA*0802120A**	0.98	0.90	EN(A,D,W)4X42*21**	*8MX*0701716**	0.95	0.95
EA*4X60*21A*	*9MA*1002122A**	0.99	0.91	EN(A,D,W)4X42*21**	*8MX*0902116**	0.96	0.93
EA*4X60*21A*	*9MV*0601714A**	0.98	0.94	EN(A,D,W)4X42*21**	*8MX*1102120**	0.96	0.89
EA*4X60*21A*	*9MV*0801716A**	0.98	0.92	EN(A,D,W)4X42*21**	*9MA*0601714A**	0.94	0.94

COOLING Multiplying Factors for other Indoor Combinations

Indoor Model	Furnace Model	CAPACITY (MBh)	Power (AMPS)	Indoor Model	Furnace Model	CAPACITY (MBh)	Power (AMPS)
EA*4X60*21A*	*9MV*0802120A**	0.99	0.91	EN(A,D,W)4X42*21**	*9MA*0602120A**	0.95	0.91
EA*4X60*21A*	*9MV*1002120A**	0.99	0.91	EN(A,D,W)4X42*21**	*9MA*0801714A**	0.95	0.91
EA*4X60*21A*	*9MX*0601714A**	0.99	0.95	EN(A,D,W)4X42*21**	*9MA*0802120A**	0.95	0.90
EA*4X60*21A*	*9MX*0801716A**	0.99	0.93	EN(A,D,W)4X42*21**	*9MA*1002122A**	0.96	0.91
EA*4X60*21A*	*9MX*0802120A**	0.99	0.91	EN(A,D,W)4X42*21**	*9MV*0601714A**	0.95	0.95
EA*4X60*21A*	*9MX*1002120A**	0.99	0.91	EN(A,D,W)4X42*21**	*9MV*0801716A**	0.95	0.91
EA*4X60*21A*	*9MA*1002120A**	0.98	0.92	EN(A,D,W)4X42*21**	*9MV*0802120A**	0.95	0.90
EA*4X60*21A*	*9MV*1002116A**	0.99	0.93	EN(A,D,W)4X42*21**	*9MV*1002120A**	0.95	0.90
EA*4X60*21A*	*9MX*1002116A**	1.00	1.00	EN(A,D,W)4X42*21**	*9MX*0601714A**	0.95	0.95
EA*4X60*24A*	*8MV*1102120**	0.99	0.91	EN(A,D,W)4X42*21**	*9MX*0802120A**	0.96	0.91
EA*4X60*24A*	*8MV*1352422**	0.99	0.91	EN(A,D,W)4X42*21**	*9MX*1002120A**	0.95	0.90
EA*4X60*24A*	*8MX*0902116**	0.99	0.91	EN(A,D,W)4X42*21**	MV12F19**B*	0.96	0.89
EA*4X60*24A*	*8MX*1102120**	0.99	0.91	EN(A,D,W)4X42*21**	MV16J22**B*	0.96	0.88
EA*4X60*24A*	*8MX*1352420**	0.99	0.91	EN(A,D,W)4X42*21**	*8MPV075	0.96	0.95
EA*4X60*24A*	*9MA*0602120A**	0.98	0.92	EN(A,D,W)4X42*21**	*8MPV100	0.96	0.91
EA*4X60*24A*	*9MA*0802120A**	0.98	0.90	EN(A,D,W)4X42*21**	*8MPV125	0.96	0.91
EA*4X60*24A*	*9MA*1002122A**	0.99	0.91	EN(A,D,W)4X42*21**	*9MA*1002120A**	0.95	0.91
EA*4X60*24A*	*9MA*1202422A**	0.98	0.90	EN(A,D,W)4X42*21**	*9MPV100	0.96	0.93
EA*4X60*24A*	*9MV*0802120A**	0.99	0.91	EN(A,D,W)4X42*21**	*9MV*1002116A**	0.95	0.91
EA*4X60*24A*	*9MV*1002120A**	0.99	0.91	EN(A,D,W)4X42*21**	*9MVX060	0.95	0.95
EA*4X60*24A*	*9MV*1202422A**	0.99	0.91	EN(A,D,W)4X42*21**	*9MVX080	0.96	0.93
EA*4X60*24A*	*9MX*0802120A**	0.99	0.91	EN(A,D,W)4X42*21**	*9MX*1002116A**	0.95	0.91
EA*4X60*24A*	*9MX*1002120A**	0.99	0.91	EN(A,D,W)4X42*21**	OLV112A16A	0.96	0.96
EA*4X60*24A*	*9MX*1202422A**	1.00	0.92	EN(A,D,W)4X42*21**		0.96	0.96
EA*4X60*24A*	*9MA*1002120A**	0.98	0.92	EN(A,D,W)4X48*21**	*8MV*0901716**	0.98	0.90
EA*4X60*24A*	*9MV*1002116A**	0.99	0.93	EN(A,D,W)4X48*21**	*8MV*1102120**	0.98	0.90
EA*4X60*24A*	*9MX*1002116A**	1.00	1.00	EN(A,D,W)4X48*21**	*8MX*0701716**	0.98	0.98
ED*4X42F**	*8MV*0901716**	0.95	0.90	EN(A,D,W)4X48*21**	*8MX*0902116**	0.98	0.90
ED*4X42F**	*8MV*1102120**	0.95	0.90	EN(A,D,W)4X48*21**	*8MX*1102120**	0.98	0.90
ED*4X42F**	*8MX*0701716**	0.95	0.95	EN(A,D,W)4X48*21**	*9MA*0601714A**	0.96	0.93
ED*4X42F**	*8MX*0902116**	0.95	0.90	EN(A,D,W)4X48*21**	*9MA*0602120A**	0.96	0.91
ED*4X42F**	*8MX*1102120**	0.96	0.91	EN(A,D,W)4X48*21**	*9MA*0801714A**	0.96	0.91
ED*4X42F**	*9MA*0601714A**	0.94	0.93	EN(A,D,W)4X48*21**	*9MA*0802120A**	0.96	0.89
ED*4X42F**				EN(A,D,W)4X48*21**	*9MA*1002122A**	0.98	0.90

COOLING Multiplying Factors for other Indoor Combinations

Indoor Model	Furnace Model	CAPACITY (MBh)	Power (AMPS)	Indoor Model	Furnace Model	CAPACITY (MBh)	Power (AMPS)
ED*4X42F**	*9MA*0602120A**	0.94	0.90	EN(A,D,W)4X48*21**	*9MV*0601714A**	0.96	0.95
ED*4X42F**	*9MA*0801714A**	0.94	0.93	EN(A,D,W)4X48*21**	*9MV*0801716A**	0.96	0.93
ED*4X42F**	*9MA*0802120A**	0.95	0.90	EN(A,D,W)4X48*21**	*9MV*0802120A**	0.98	0.90
ED*4X42F**	*9MA*1002122A**	0.95	0.90	EN(A,D,W)4X48*21**	*9MV*1002120A**	0.98	0.90
ED*4X42F**	*9MV*0601714A**	0.95	0.95	EN(A,D,W)4X48*21**	*9MX*0601714A**	0.98	0.94
ED*4X42F**	*9MV*0801716A**	0.95	0.94	EN(A,D,W)4X48*21**	*9MX*0801716A**	0.98	0.94
ED*4X42F**	*9MV*0802120A**	0.95	0.90	EN(A,D,W)4X48*21**	*9MX*0802120A**	0.98	0.90
ED*4X42F**	*9MV*1002120A**	0.95	0.90	EN(A,D,W)4X48*21**	*9MX*1002120A**	0.98	0.90
ED*4X42F**	*9MX*0601714A**	0.95	0.94	EN(A,D,W)4X48*21**	MV12F19**B*	0.98	0.89
ED*4X42F**	*9MX*0801716A**	0.95	0.94	EN(A,D,W)4X48*21**	MV16J22**B*	0.99	0.88
ED*4X42F**	*9MX*0802120A**	0.96	0.91	EN(A,D,W)4X48*21**	*8MPV075	0.98	0.94
ED*4X42F**	*9MX*1002120A**	0.95	0.90	EN(A,D,W)4X48*21**	*8MPV100	0.99	0.91
ED*4X42F**	MV12F19**B*	0.96	0.89	EN(A,D,W)4X48*21**	*8MPV125	0.99	0.91
ED*4X42F**	*8MPV075	0.95	0.94	EN(A,D,W)4X48*21**	*9MA*1002120A**	0.96	0.91
ED*4X42F**	*9MA*1002120A**	0.95	0.91	EN(A,D,W)4X48*21**	*9MPV075	0.98	0.96
ED*4X42F**	*9MPV075	0.95	0.95	EN(A,D,W)4X48*21**	*9MPV100	0.99	0.93
ED*4X42F**	*9MV*1002116A**	0.95	0.91	EN(A,D,W)4X48*21**	*9MV*1002116A**	0.98	0.92
ED*4X42F**	*9MVX060	0.95	0.95	EN(A,D,W)4X48*21**	*9MVX060	0.98	0.98
ED*4X42F**	*9MX*1002116A**	0.95	0.91	EN(A,D,W)4X48*21**	*9MVX080	0.99	0.93
ED*4X42F**	OLV112A16A	0.95	0.94	EN(A,D,W)4X48*21**	*9MX*1002116A**	0.98	0.92
ED*4X42F**	OMV112K14A	0.95	0.94	EN(A,D,W)4X48*21**	OLV112A16A	0.98	0.94
ED*4X42F**		0.96	0.99	EN(A,D,W)4X48*21**		0.98	0.98
ED*4X42J**	*8MV*1102120**	0.95	0.90	EN(A,D,W)4X60*24**	*8MV*1102120**	0.99	0.91
ED*4X42J**	*8MV*1352422**	0.95	0.88	EN(A,D,W)4X60*24**	*8MV*1352422**	0.99	0.91
ED*4X42J**	*8MX*0902116**	0.96	0.91	EN(A,D,W)4X60*24**	*8MX*0902116**	0.99	0.91
ED*4X42J**	*8MX*1102120**	0.96	0.89	EN(A,D,W)4X60*24**	*8MX*1102120**	1.00	0.92
ED*4X42J**	*8MX*1352420**	0.96	0.91	EN(A,D,W)4X60*24**	*8MX*1352420**	1.00	0.92
ED*4X42J**	*9MA*0602120A**	0.94	0.90	EN(A,D,W)4X60*24**	*9MA*0602120A**	0.98	0.90
ED*4X42J**	*9MA*0802120A**	0.95	0.90	EN(A,D,W)4X60*24**	*9MA*0802120A**	0.98	0.90
ED*4X42J**	*9MA*1002122A**	0.95	0.90	EN(A,D,W)4X60*24**	*9MA*1002122A**	0.99	0.91
ED*4X42J**	*9MA*1202422A**	0.95	0.90	EN(A,D,W)4X60*24**	*9MA*1202422A**	0.98	0.90
ED*4X42J**	*9MV*0802120A**	0.95	0.90	EN(A,D,W)4X60*24**	*9MV*0802120A**	0.99	0.91
ED*4X42J**	*9MV*1002120A**	0.95	0.90	EN(A,D,W)4X60*24**	*9MV*1002120A**	0.99	0.91
ED*4X42J**	*9MV*1202422A**	0.95	0.90	EN(A,D,W)4X60*24**	*9MV*1202422A**	0.99	0.91
ED*4X42J**	*9MX*0802120A**	0.96	0.91	EN(A,D,W)4X60*24**	*9MX*0802120A**	1.00	0.92

COOLING Multiplying Factors for other Indoor Combinations

Indoor Model	Furnace Model	CAPACITY (MBh)	Power (AMPS)	Indoor Model	Furnace Model	CAPACITY (MBh)	Power (AMPS)
ED*4X42J**	*9MX*1002120A**	0.95	0.90	EN(A,D,W)4X60*24**	*9MX*1002120A**	0.99	0.91
ED*4X42J**	*9MX*1202422A**	0.96	0.91	EN(A,D,W)4X60*24**	*9MX*1202422A**	1.00	0.92
ED*4X42J**	MV12F19**B*	0.96	0.88	EN(A,D,W)4X60*24**	*9MA*1002120A**	0.98	0.90
ED*4X42J**	MV16J22**B*	0.96	0.88	EN(A,D,W)4X60*24**	*9MV*1002116A**	0.99	0.93
ED*4X42J**	MV20L24**B*	0.96	0.88	EN(A,D,W)4X60*24**	*9MX*1002116A**	0.99	0.93
ED*4X42J**	*8MPV075	0.96	0.95	EN(A,D,W)4X60*24**		0.99	0.99
ED*4X42J**	*8MPV100	0.96	0.91	END4X42*17**	*8MV*0701412**	0.96	0.93
ED*4X42J**	*8MPV125	0.96	0.91	END4X42*17**	*8MV*0901716**	0.96	0.93
ED*4X42J**	*9MA*1002120A**	0.95	0.90	END4X42*17**	*8MX*0701716**	0.96	0.96
ED*4X42J**	*9MPV075	0.95	0.95	END4X42*17**	*9MA*0601714A**	0.95	0.91
ED*4X42J**	*9MPV100	0.96	0.93	END4X42*17**	*9MA*0801714A**	0.95	0.91
ED*4X42J**	*9MPV125	0.96	0.91	END4X42*17**	*9MV*0601714A**	0.95	0.95
ED*4X42J**	*9MV*1002116A**	0.95	0.91	END4X42*17**	*9MV*0801716A**	0.96	0.93
ED*4X42J**	*9MVX060	0.95	0.95	END4X42*17**	*9MX*0601714A**	0.96	0.95
ED*4X42J**	*9MVX080	0.96	0.93	END4X42*17**	*9MX*0801716A**	0.96	0.93
ED*4X42J**	*9MVX100	0.96	0.91	END4X42*17**	MV12F19**B*	0.98	0.90
ED*4X42J**	*9MX*1002116A**	0.95	0.91	END4X42*17**	*8MPV075	0.96	0.95
ED*4X42J**	OLV112A16A	0.95	0.94	END4X42*17**	*9MVX060	0.96	0.96
ED*4X42L**	*8MV*1102120**	0.96	0.99	END4X42*17**	OMV112K14A	0.96	0.93
ED*4X42L**	*8MV*1352422**	0.95	0.90	END4X42*17**		0.98	0.98
ED*4X42L**	*8MX*0902116**	0.96	0.89	ENH4X42*21**	*8MV*0701412**	0.95	0.91
ED*4X42L**	*8MX*1102120**	0.96	0.89	ENH4X42*21**	*8MV*0901716**	0.95	0.91
ED*4X42L**	*8MX*1352420**	0.96	0.91	ENH4X42*21**	*8MV*1102120**	0.95	0.91
ED*4X42L**	*9MA*0602120A**	0.94	0.90	ENH4X42*21**	*8MV*1352422**	0.96	0.89
ED*4X42L**	*9MA*0802120A**	0.95	0.90	ENH4X42*21**	*8MX*0701716**	0.95	0.95
ED*4X42L**	*9MA*1002122A**	0.96	0.91	ENH4X42*21**	*8MX*0902116**	0.96	0.93
ED*4X42L**	*9MA*1202422A**	0.95	0.90	ENH4X42*21**	*8MX*1102120**	0.96	0.89
ED*4X42L**	*9MV*0802120A**	0.95	0.90	ENH4X42*21**	*8MX*1352420**	0.95	0.91
ED*4X42L**	*9MV*1002120A**	0.95	0.90	ENH4X42*21**	*9MA*0601714A**	0.94	0.94
ED*4X42L**	*9MV*1202422A**	0.95	0.90	ENH4X42*21**	*9MA*0602120A**	0.95	0.91
ED*4X42L**	*9MX*0802120A**	0.96	0.91	ENH4X42*21**	*9MA*0801714A**	0.95	0.91
ED*4X42L**	*9MX*1002120A**	0.96	0.91	ENH4X42*21**	*9MA*0802120A**	0.95	0.90
ED*4X42L**	*9MX*1202422A**	0.96	0.91	ENH4X42*21**	*9MA*1002122A**	0.96	0.91
ED*4X42L**	MV16J22**B*	0.96	0.88	ENH4X42*21**	*9MA*1202422A**	0.95	0.90
ED*4X42L**		0.96	0.88	ENH4X42*21**	*9MV*0601714A**	0.95	0.95

COOLING Multiplying Factors for other Indoor Combinations

Indoor Model	Furnace Model	CAPACITY (MBh)	Power (AMPS)	Indoor Model	Furnace Model	CAPACITY (MBh)	Power (AMPS)
ED*4X42L**	MV20L24**B*	0.96	0.88	ENH4X42*21**	*9MV*0801716A**	0.95	0.91
ED*4X42L**	*8MPV100	0.96	0.91	ENH4X42*21**	*9MV*0802120A**	0.95	0.90
ED*4X42L**	*8MPV125	0.96	0.91	ENH4X42*21**	*9MV*1002120A**	0.95	0.90
ED*4X42L**	*9MA*1002120A**	0.95	0.90	ENH4X42*21**	*9MV*1202422A**	0.95	0.90
ED*4X42L**	*9MPV100	0.96	0.93	ENH4X42*21**	*9MX*0601714A**	0.95	0.95
ED*4X42L**	*9MPV125	0.96	0.91	ENH4X42*21**	*9MX*0801716A**	0.95	0.94
ED*4X42L**	*9MV*1002116A**	0.96	0.93	ENH4X42*21**	*9MX*0802120A**	0.96	0.91
ED*4X42L**	*9MVX080	0.96	0.93	ENH4X42*21**	*9MX*1002120A**	0.95	0.90
ED*4X42L**	*9MVX100	0.96	0.91	ENH4X42*21**	*9MX*1202422A**	0.96	0.91
ED*4X42L**	*9MX*1002116A**	0.95	0.91	ENH4X42*21**	*8MPV075	0.96	0.95
ED*4X42L**	OLV112A16A	0.96	0.95	ENH4X42*21**	*8MPV100	0.96	0.91
ED*4X42L**	OLV154F20A	0.98	0.92	ENH4X42*21**	*8MPV125	0.96	0.91
ED*4X48F**	*8MV*0901716**	0.98	0.99	ENH4X42*21**	*9MA*1002120A**	0.95	0.91
ED*4X48F**	*8MV*1102120**	0.98	0.90	ENH4X42*21**	*9MPV100	0.96	0.93
ED*4X48F**	*8MX*0701716**	0.98	0.96	ENH4X42*21**	*9MPV125	0.96	0.91
ED*4X48F**	*8MX*0902116**	0.98	0.90	ENH4X42*21**	*9MV*1002116A**	0.95	0.91
ED*4X48F**	*8MX*1102120**	0.98	0.89	ENH4X42*21**	*9MVX060	0.95	0.95
ED*4X48F**	*9MA*0601714A**	0.96	0.93	ENH4X42*21**	*9MVX080	0.96	0.96
ED*4X48F**	*9MA*0602120A**	0.96	0.91	ENH4X42*21**	*9MVX100	0.96	0.93
ED*4X48F**	*9MA*0801714A**	0.96	0.91	ENH4X42*21**	*9MX*1002116A**	0.95	0.91
ED*4X48F**	*9MA*0802120A**	0.96	0.89	ENH4X42*21**	OLV112A16A	0.96	0.96
ED*4X48F**	*9MA*1002122A**	0.98	0.90	ENH4X42*21**	OLV154F20A	0.98	0.94
ED*4X48F**	*9MV*0601714A**	0.96	0.95	ENH4X42*21**	OMV112K14A	0.95	0.94
ED*4X48F**	*9MV*0801716A**	0.98	0.94	ENH4X42*21**		0.96	0.96
ED*4X48F**	*9MV*0802120A**	0.98	0.90	ENH4X43*21**	*8MV*0701412**	0.98	0.94
ED*4X48F**	*9MV*1002120A**	0.98	0.90	ENH4X43*21**	*8MV*0901716**	0.99	0.91
ED*4X48F**	*9MX*0601714A**	0.98	0.94	ENH4X43*21**	*8MV*1352422**	0.99	0.91
ED*4X48F**	*9MX*0801716A**	0.98	0.94	ENH4X43*21**	*8MX*0701716**	0.99	0.95
ED*4X48F**	*9MX*0802120A**	0.98	0.90	ENH4X43*21**	*8MX*0902116**	0.99	0.91
ED*4X48F**	*9MX*1002120A**	0.98	0.90	ENH4X43*21**	*8MX*1102120**	0.99	0.91
ED*4X48F**	MV12F19**B*	0.99	0.90	ENH4X43*21**	*8MX*1352420**	0.99	0.91
ED*4X48F**	*8MPV075	0.98	0.94	ENH4X43*21**	*9MA*0601714A**	0.98	0.94
ED*4X48F**	*9MA*1002120A**	0.96	0.91	ENH4X43*21**	*9MA*0602120A**	0.98	0.92
ED*4X48F**	*9MPV075	0.98	0.96	ENH4X43*21**	*9MA*0801714A**	0.98	0.92

COOLING Multiplying Factors for other Indoor Combinations

Indoor Model	Furnace Model	Indoor Model	Furnace Model	Power (AMPS)	CAPACITY (MBh)	Indoor Model	Furnace Model	CAPACITY (MBh)	Power (AMPS)
ED*4X48F**	*9MV*1002116A**	ENH4X43*21**	*9MA*0802120A**	0.92	0.98	ENH4X43*21**	*9MA*0802120A**	0.98	0.90
ED*4X48F**	*9MVX060	ENH4X43*21**	*9MA*1002122A**	0.96	0.98	ENH4X43*21**	*9MA*1002122A**	0.99	0.91
ED*4X48F**	*9MX*1002116A**	ENH4X43*21**	*9MA*1202422A**	0.92	0.98	ENH4X43*21**	*9MA*1202422A**	0.98	0.90
ED*4X48F**	OLV112A16A	ENH4X43*21**	*9MV*0601714A**	0.96	0.98	ENH4X43*21**	*9MV*0601714A**	0.98	0.94
ED*4X48F**	OMV112K14A	ENH4X43*21**	*9MV*0801716A**	0.94	0.98	ENH4X43*21**	*9MV*0801716A**	0.98	0.92
ED*4X48J**	*9MA*0602120A**	ENH4X43*21**	*9MV*0802120A**	0.99	0.99	ENH4X43*21**	*9MV*0802120A**	0.99	0.91
ED*4X48J**	*9MA*0802120A**	ENH4X43*21**	*9MV*1002120A**	0.91	0.96	ENH4X43*21**	*9MV*1002120A**	0.99	0.91
ED*4X48J**	*9MA*1002122A**	ENH4X43*21**	*9MV*1202422A**	0.89	0.96	ENH4X43*21**	*9MV*1202422A**	0.98	0.90
ED*4X48J**	*9MA*1202422A**	ENH4X43*21**	*9MX*0601714A**	0.90	0.98	ENH4X43*21**	*9MX*0601714A**	0.99	0.95
ED*4X48J**	*9MA*1202422A**	ENH4X43*21**	*9MX*0801716A**	0.91	0.96	ENH4X43*21**	*9MX*0801716A**	0.99	0.93
ED*4X48J**	*9MV*0802120A**	ENH4X43*21**	*9MX*0802120A**	0.89	0.96	ENH4X43*21**	*9MX*0802120A**	0.99	0.91
ED*4X48J**	*9MV*1002120A**	ENH4X43*21**	*9MX*1002120A**	0.89	0.96	ENH4X43*21**	*9MX*1002120A**	0.99	0.91
ED*4X48J**	*9MV*1202422A**	ENH4X43*21**	*9MX*1202422A**	0.91	0.96	ENH4X43*21**	*9MX*1202422A**	1.00	0.92
ED*4X48J**	*9MX*0802120A**	ENH4X43*21**	MV12F19**B*	0.92	0.98	ENH4X43*21**	MV12F19**B*	1.00	0.89
ED*4X48J**	*9MX*1002120A**	ENH4X43*21**	MV16J22**B*	0.89	0.96	ENH4X43*21**	MV16J22**B*	1.00	0.89
ED*4X48J**	*9MX*1202422A**	ENH4X43*21**	MV20L24**B*	0.92	0.98	ENH4X43*21**	MV20L24**B*	1.00	0.89
ED*4X48J**	MV12F19**B*	ENH4X43*21**	*8MPV075	0.89	0.98	ENH4X43*21**	*8MPV075	0.99	0.93
ED*4X48J**	MV16J22**B*	ENH4X43*21**	*8MPV100	0.89	0.98	ENH4X43*21**	*8MPV100	1.00	0.91
ED*4X48J**	MV20L24**B*	ENH4X43*21**	*8MPV125	0.89	0.98	ENH4X43*21**	*8MPV125	1.00	0.91
ED*4X48J**	*8MPV075	ENH4X43*21**	*9MA*1002120A**	0.94	0.98	ENH4X43*21**	*9MA*1002120A**	0.98	0.92
ED*4X48J**	*8MPV100	ENH4X43*21**	*9MPV100	0.92	0.98	ENH4X43*21**	*9MPV100	0.99	0.97
ED*4X48J**	*8MPV125	ENH4X43*21**	*9MPV125	0.90	0.98	ENH4X43*21**	*9MPV125	1.00	0.94
ED*4X48J**	*9MA*1002120A**	ENH4X43*21**	*9MV*1002116A**	0.91	0.96	ENH4X43*21**	*9MV*1002116A**	0.99	0.91
ED*4X48J**	*9MPV075	ENH4X43*21**	*9MPV075	0.96	0.96	ENH4X43*21**	*9MPV075	0.98	0.92
ED*4X48J**	*9MPV100	ENH4X43*21**	*9MPV100	0.92	0.98	ENH4X43*21**	*9MPV100	0.99	0.99
ED*4X48J**	*9MPV125	ENH4X43*21**	*9MPV125	0.92	0.98	ENH4X43*21**	*9MPV125	1.00	0.96
ED*4X48J**	*9MV*1002116A**	ENH4X43*21**	*9MV*1002116A**	0.94	0.98	ENH4X43*21**	*9MV*1002116A**	0.99	0.91
ED*4X48J**	*9MX*080	ENH4X43*21**	*9MX*080	0.94	0.98	ENH4X43*21**	*9MX*080	0.99	0.93
ED*4X48J**	*9MX*1002116A**	ENH4X43*21**	OLV112A16A	0.91	0.96	ENH4X43*21**	OLV112A16A	0.99	0.95
ED*4X48J**	*8MV*1102120**	ENH4X43*21**	OLV154F20A	0.98	0.98	ENH4X43*21**	OLV154F20A	1.01	0.93
ED*4X48L**	*8MV*1352422**	ENH4X43*21**	OMV112K14A	0.90	0.98	ENH4X43*21**	OMV112K14A	0.99	0.91
ED*4X48L**	*8MX*0902116**	ENH4X43*21**	*8MV*0701412**	0.89	0.98	ENH4X43*21**	*8MV*0701412**	1.00	1.00
ED*4X48L**	*8MX*1102120**	ENH4X48*21**	*8MV*0901716**	0.90	0.98	ENH4X48*21**	*8MV*0901716**	0.96	0.93
ED*4X48L**	*8MX*1352420**	ENH4X48*21**	*8MV*1102120**	0.89	0.98	ENH4X48*21**	*8MV*1102120**	0.98	0.90
ED*4X48L**		ENH4X48*21**		0.90	0.98	ENH4X48*21**		0.98	0.90

COOLING Multiplying Factors for other Indoor Combinations

Indoor Model	Furnace Model	CAPACITY (MBh)	Power (AMPS)	Indoor Model	Furnace Model	CAPACITY (MBh)	Power (AMPS)
ED*4X48L**	*9MA*0602120A**	0.96	0.91	ENH4X48*21**	*8MV*1352422**	0.98	0.90
ED*4X48L**	*9MA*0802120A**	0.96	0.89	ENH4X48*21**	*8MX*0701716**	0.98	0.98
ED*4X48L**	*9MA*1002122A**	0.98	0.90	ENH4X48*21**	*8MX*0902116**	0.98	0.90
ED*4X48L**	*9MA*1202422A**	0.96	0.89	ENH4X48*21**	*8MX*1102120**	0.98	0.90
ED*4X48L**	*9MV*0802120A**	0.98	0.90	ENH4X48*21**	*8MX*1352420**	0.98	0.90
ED*4X48L**	*9MV*1002120A**	0.98	0.90	ENH4X48*21**	*9MA*0601714A**	0.96	0.93
ED*4X48L**	*9MV*1202422A**	0.98	0.90	ENH4X48*21**	*9MA*0602120A**	0.96	0.91
ED*4X48L**	*9MX*0802120A**	0.98	0.92	ENH4X48*21**	*9MA*0801714A**	0.96	0.91
ED*4X48L**	*9MX*1002120A**	0.98	0.90	ENH4X48*21**	*9MA*0802120A**	0.96	0.89
ED*4X48L**	*9MX*1202422A**	0.98	0.92	ENH4X48*21**	*9MA*1002122A**	0.98	0.90
ED*4X48L**	MV16J22**B*	0.98	0.87	ENH4X48*21**	*9MA*1202422A**	0.96	0.89
ED*4X48L**	MV20L24**B*	0.98	0.87	ENH4X48*21**	*9MV*0601714A**	0.96	0.95
ED*4X48L**	*8MPV100	0.99	0.91	ENH4X48*21**	*9MV*0801716A**	0.96	0.93
ED*4X48L**	*8MPV125	0.99	0.91	ENH4X48*21**	*9MV*0802120A**	0.98	0.90
ED*4X48L**	*9MA*1002120A**	0.96	0.91	ENH4X48*21**	*9MV*1002120A**	0.98	0.90
ED*4X48L**	*9MPV100	0.98	0.92	ENH4X48*21**	*9MV*1202422A**	0.98	0.92
ED*4X48L**	*9MPV125	0.98	0.92	ENH4X48*21**	*9MX*0601714A**	0.98	0.94
ED*4X48L**	*9MV*1002116A**	0.98	0.92	ENH4X48*21**	*9MX*0801716A**	0.98	0.94
ED*4X48L**	*9MVX080	0.98	0.92	ENH4X48*21**	*9MX*0802120A**	0.98	0.90
ED*4X48L**	*9MVX100	0.98	0.92	ENH4X48*21**	*9MX*1002120A**	0.98	0.90
ED*4X48L**	*9MX*1002116A**	0.96	0.91	ENH4X48*21**	*9MX*1202422A**	0.99	0.93
ED*4X48L**	OLV112A16A	0.98	0.94	ENH4X48*21**	MV12F19**B*	0.98	0.89
ED*4X48L**	OLV154F20A	0.99	0.93	ENH4X48*21**	MV16J22**B*	0.99	0.88
ED*4X48L**		0.98	0.98	ENH4X48*21**	MV20L24**B*	0.99	0.88
ED*4X60J**	*9MA*0602120A**	0.98	0.92	ENH4X48*21**	*8MPV075	0.98	0.94
ED*4X60J**	*9MA*0802120A**	0.98	0.90	ENH4X48*21**	*8MPV100	0.99	0.91
ED*4X60J**	*9MA*1002122A**	0.99	0.91	ENH4X48*21**	*8MPV125	0.99	0.91
ED*4X60J**	*9MV*0802120A**	0.99	0.91	ENH4X48*21**	*9MA*1002120A**	0.96	0.91
ED*4X60J**	*9MV*1002120A**	0.99	0.91	ENH4X48*21**	*9MPV075	0.98	0.96
ED*4X60J**	*9MX*0802120A**	0.99	0.91	ENH4X48*21**	*9MPV100	0.99	0.93
ED*4X60J**	*9MX*1002120A**	0.99	0.91	ENH4X48*21**	*9MPV125	0.99	0.91
ED*4X60L**	*9MA*0602120A**	0.98	0.90	ENH4X48*21**	*9MV*1002116A**	0.98	0.92
ED*4X60L**	*9MA*0802120A**	0.98	0.90	ENH4X48*21**	*9MVX060	0.98	0.98
ED*4X60L**	*9MA*1002122A**	0.99	0.91	ENH4X48*21**	*9MVX080	0.99	0.95
ED*4X60L**	*9MA*1202422A**	0.98	0.90	ENH4X48*21**	*9MVX100	0.98	0.94

COOLING Multiplying Factors for other Indoor Combinations

Indoor Model	Furnace Model	CAPACITY (MBh)	Power (AMPS)	Indoor Model	Furnace Model	CAPACITY (MBh)	Power (AMPS)
ED*4X60L**	*9MV*0802120A**	0.99	0.91	ENH4X48*21**	*9MX*1002116A**	0.98	0.92
ED*4X60L**	*9MV*1002120A**	0.99	0.91	ENH4X48*21**	OLV112A16A	0.98	0.94
ED*4X60L**	*9MV*1202422A**	0.99	0.91	ENH4X48*21**	OLV154F20A	1.00	0.94
ED*4X60L**	*9MX*0802120A**	0.99	0.91	ENH4X48*21**	OMV112K14A	0.98	0.94
ED*4X60L**	*9MX*1002120A**	0.99	0.91	ENH4X48*21**		0.98	0.98
ED*4X60L**	*9MX*1202422A**	1.00	0.92	ENH4X60*24**	*8MV*0701412**	0.98	0.94
ED*4X60L**	*9MA*1002120A**	0.98	0.92	ENH4X60*24**	*8MV*0901716**	0.99	0.91
ED*4X60L**	*9MV*1002116A**	0.99	0.93	ENH4X60*24**	*8MV*1102120**	0.99	0.91
ED*4X60L**	*9MVX080	1.00	0.92	ENH4X60*24**	*8MV*1352422**	0.99	0.91
ED*4X60L**	*9MVX100	0.99	0.91	ENH4X60*24**	*8MX*0701716**	0.99	0.99
ED*4X60L**	*9MX*1002116A**	0.99	0.93	ENH4X60*24**	*8MX*0902116**	0.99	0.91
ED*4X60L**		1.00	1.00	ENH4X60*24**	*8MX*1102120**	1.00	0.92
EHD4X42A**	*8MV*0701412**	0.98	0.94	ENH4X60*24**	*8MX*1352420**	1.00	0.92
EHD4X42A**	*8MV*0901716**	0.98	0.90	ENH4X60*24**	*9MA*0601714A**	0.98	0.92
EHD4X42A**	*8MV*1102120**	0.98	0.90	ENH4X60*24**	*9MA*0602120A**	0.98	0.90
EHD4X42A**	*8MV*1352422**	0.98	0.90	ENH4X60*24**	*9MA*0801714A**	0.98	0.92
EHD4X42A**	*8MX*0701716**	0.98	0.98	ENH4X60*24**	*9MA*0802120A**	0.98	0.90
EHD4X42A**	*8MX*0902116**	0.98	0.90	ENH4X60*24**	*9MA*1002122A**	0.99	0.91
EHD4X42A**	*8MX*1102120**	0.98	0.90	ENH4X60*24**	*9MA*1202422A**	0.98	0.90
EHD4X42A**	*8MX*1352420**	0.98	0.90	ENH4X60*24**	*9MV*0601714A**	0.98	0.94
EHD4X42A**	*9MA*0601714A**	0.96	0.93	ENH4X60*24**	*9MV*0801716A**	0.99	0.93
EHD4X42A**	*9MA*0602120A**	0.96	0.91	ENH4X60*24**	*9MV*0802120A**	0.99	0.91
EHD4X42A**	*9MA*0801714A**	0.96	0.91	ENH4X60*24**	*9MV*1002120A**	0.99	0.91
EHD4X42A**	*9MA*0802120A**	0.96	0.89	ENH4X60*24**	*9MV*1202422A**	0.99	0.91
EHD4X42A**	*9MA*1002122A**	0.98	0.90	ENH4X60*24**	*9MX*0601714A**	0.99	0.95
EHD4X42A**	*9MA*1202422A**	0.98	0.92	ENH4X60*24**	*9MX*0801716A**	0.99	0.93
EHD4X42A**	*9MV*0601714A**	0.96	0.95	ENH4X60*24**	*9MX*0802120A**	1.00	0.92
EHD4X42A**	*9MV*0801716A**	0.98	0.94	ENH4X60*24**	*9MX*1002120A**	0.99	0.91
EHD4X42A**	*9MV*0802120A**	0.98	0.90	ENH4X60*24**	*9MX*1202422A**	1.00	0.92
EHD4X42A**	*9MV*1002120A**	0.98	0.90	ENH4X60*24**	*9MA*1002120A**	0.98	0.90
EHD4X42A**	*9MV*1202422A**	0.98	0.92	ENH4X60*24**	*9MV*1002116A**	0.99	0.93
EHD4X42A**	*9MX*0601714A**	0.98	0.94	ENH4X60*24**	*9MX*1002116A**	0.99	0.93
EHD4X42A**	*9MX*0801716A**	0.98	0.94	ENH4X60*24**		0.99	0.99
EHD4X42A**	*9MX*0802120A**	0.98	0.90	FCM4X36****		0.95	0.88
EHD4X42A**		0.98	0.90	FCM4X48****		0.99	0.91

COOLING Multiplying Factors for other Indoor Combinations						
Indoor Model	Furnace Model	CAPACITY (MBh)	Power (AMPS)	Indoor Model	Furnace Model	Power (AMPS)
EHD4X42A**	*9MX*1202422A**	0.99	0.93	FCM4X60****		0.89
EHD4X42A**	MV12F19**B*	0.99	0.90	FEM4P42**A*		0.95
EHD4X42A**	MV16J22**B*	0.99	0.88	FEM4P48**A*		0.93
EHD4X42A**	MV20L24**B*	0.99	0.88	FEM4X42****		0.95
EHD4X42A**	*8MPV075	0.98	0.94	FEM4X48****		0.92
EHD4X42A**	*8MPV100	0.99	0.91	FEM4X60**B*		0.92
EHD4X42A**	*8MPV125	0.99	0.91	FS(M,U)4P42**A*		0.94
EHD4X42A**	*9MA*1002120A**	0.96	0.91	FS(M,U)4P48**A*		0.96
EHD4X42A**	*9MPV075	0.98	0.96	FVM4X36****		0.88
EHD4X42A**	*9MPV100	0.99	0.93	FVM4X48****		0.88
EHD4X42A**	*9MPV125	0.99	0.91	FVM4X60****		0.88
COOLING Multiplying Factors for other Indoor Combinations						
(C,H,T)SA648						
*EN(A,D)4X61*24**		1.00	1.00	EHD4X48A**	*9MX*1002116A**	0.97
EA*4X48*17A*	*8MV*0901716**	0.97	0.97	EHD4X48A**	OLV112A16A	1.01
EA*4X48*17A*	*9MV*0801716A**	0.96	1.00	EHD4X48A**	OLV154F20A	0.99
EA*4X48*17A*	*9MX*0801716A**	0.96	1.00	EHD4X48A**		1.03
EA*4X48*17A*		0.97	1.01	EHD4X60A**	*8MV*0901716**	0.94
EA*4X48*21A*	*8MV*0901716**	0.96	0.96	EHD4X60A**	*8MV*1102120**	0.95
EA*4X48*21A*	*8MV*1102120**	0.96	0.96	EHD4X60A**	*8MV*1352422**	0.95
EA*4X48*21A*	*8MX*0902116**	0.97	0.97	EHD4X60A**	*8MX*0902116**	0.95
EA*4X48*21A*	*8MX*1102120**	0.97	0.93	EHD4X60A**	*8MX*1102120**	0.95
EA*4X48*21A*	*9MA*0602120A**	0.95	0.95	EHD4X60A**	*8MX*1352420**	0.95
EA*4X48*21A*	*9MA*0802120A**	0.96	0.94	EHD4X60A**	*9MA*0602120A**	0.93
EA*4X48*21A*	*9MA*1002122A**	0.96	0.92	EHD4X60A**	*9MA*0802120A**	0.93
EA*4X48*21A*	*9MV*0801716A**	0.96	1.00	EHD4X60A**	*9MA*1002122A**	0.95
EA*4X48*21A*	*9MV*0802120A**	0.96	0.94	EHD4X60A**	*9MA*1202422A**	0.96
EA*4X48*21A*	*9MV*1002120A**	0.96	0.94	EHD4X60A**	*9MV*0801716A**	0.98
EA*4X48*21A*	*9MX*0801716A**	0.96	1.00	EHD4X60A**	*9MV*0802120A**	0.94
EA*4X48*21A*	*9MX*0802120A**	0.96	0.94	EHD4X60A**	*9MV*1002120A**	0.95
EA*4X48*21A*		0.96	0.94	EHD4X60A**	*9MV*1202422A**	0.97
EA*4X48*21A*	MV16J22**B*	0.97	0.92	EHD4X60A**	*9MX*0801716A**	0.98
EA*4X48*21A*	*8MPV100	0.97	0.95	EHD4X60A**	*9MX*0802120A**	0.94

COOLING Multiplying Factors for other Indoor Combinations

Indoor Model	Furnace Model	Indoor Model	Power (AMPS)	CAPACITY (MBh)	Indoor Model	Furnace Model	Power (AMPS)	CAPACITY (MBh)	Power (AMPS)
EA*4X48*21A*	*8MPV125	EHD4X60A**	0.95	0.97	EHD4X60A**	*9MX*1002120A**	0.95	0.99	0.95
EA*4X48*21A*	*9MA*1002120A**	EHD4X60A**	1.00	0.96	EHD4X60A**	*9MX*1202422A**	0.95	0.99	0.97
EA*4X48*21A*	*9MPV100	EHD4X60A**	0.97	0.97	EHD4X60A**	MV16J22**B*	0.97	1.00	0.91
EA*4X48*21A*	*9MV*1002116A**	EHD4X60A**	1.00	0.96	EHD4X60A**	MV20L24**B*	0.97	1.00	0.91
EA*4X48*21A*	*9MX*1002116A**	EHD4X60A**	1.00	0.96	EHD4X60A**	*8MPV100	0.97	1.00	0.95
EA*4X48*21A*	OLV112A16A	EHD4X60A**	1.00	0.96	EHD4X60A**	*8MPV125	0.97	1.00	0.95
EA*4X48*21A*	*8MV*1102120**	EHD4X60A**	1.01	0.97	EHD4X60A**	*9MA*1002120A**	0.96	0.98	0.96
EA*4X48*24A*	*8MV*1352420**	EHD4X60A**	0.96	0.96	EHD4X60A**	*9MPV100	0.96	0.99	0.95
EA*4X48*24A*	*8MV*1352422**	EHD4X60A**	0.93	0.97	EHD4X60A**	*9MPV125	0.93	0.99	0.94
EA*4X48*24A*	*8MX*0902116**	EHD4X60A**	0.97	0.97	EHD4X60A**	*9MV*1002116A**	0.97	0.98	0.96
EA*4X48*24A*	*8MX*1102120**	EHD4X60A**	0.93	0.97	EHD4X60A**	*9MVX080	0.93	0.99	0.95
EA*4X48*24A*	*8MX*1352420**	EHD4X60A**	0.93	0.97	EHD4X60A**	*9MVX100	0.93	0.99	0.95
EA*4X48*24A*	*9MA*0602120A**	EHD4X60A**	0.95	0.95	EHD4X60A**	*9MX*1002116A**	0.95	0.99	0.99
EA*4X48*24A*	*9MA*0802120A**	EHD4X60A**	0.92	0.96	EHD4X60A**	OLV112A16A	0.92	0.99	0.99
EA*4X48*24A*	*9MA*1002122A**	EHD4X60A**	0.92	0.96	EHD4X60A**	OLV154F20A	0.92	1.01	0.97
EA*4X48*24A*	*9MA*1202422A**	EHD4X60A**	0.96	0.96	EHD4X60A**		0.96	1.00	1.00
EA*4X48*24A*	*9MV*0802120A**	EHD4X60A**	0.94	0.96	EN(A,D)4X48*24**	*8MV*1102120**	0.94	0.97	0.93
EA*4X48*24A*	*9MV*1002120A**	EHD4X60A**	0.93	0.97	EN(A,D)4X48*24**	*8MV*1352422**	0.93	0.97	0.93
EA*4X48*24A*	*9MV*1202422A**	EHD4X60A**	0.97	0.97	EN(A,D)4X48*24**	*8MX*0902116**	0.97	0.97	0.93
EA*4X48*24A*	*9MX*0802120A**	EHD4X60A**	0.95	0.97	EN(A,D)4X48*24**	*8MX*1102120**	0.95	0.97	0.93
EA*4X48*24A*	*9MX*1002120A**	EHD4X60A**	0.93	0.97	EN(A,D)4X48*24**	*8MX*1352420**	0.93	0.97	0.93
EA*4X48*24A*	*9MX*1202422A**	EHD4X60A**	0.97	0.97	EN(A,D)4X48*24**	*9MA*0602120A**	0.97	0.96	0.94
EA*4X48*24A*	MV16J22**B*	EHD4X60A**	0.92	0.97	EN(A,D)4X48*24**	*9MA*0802120A**	0.92	0.96	0.92
EA*4X48*24A*	MV20L24**B*	EHD4X60A**	0.92	0.97	EN(A,D)4X48*24**	*9MA*1002122A**	0.92	0.97	0.93
EA*4X48*24A*	*8MPV100	EHD4X60A**	0.95	0.97	EN(A,D)4X48*24**	*9MA*1202422A**	0.95	0.96	0.96
EA*4X48*24A*	*8MPV125	EHD4X60A**	0.93	0.97	EN(A,D)4X48*24**	*9MV*0802120A**	0.93	0.97	0.93
EA*4X48*24A*	*9MA*1002120A**	EHD4X60A**	0.96	0.96	EN(A,D)4X48*24**	*9MV*1002120A**	0.96	0.97	0.93
EA*4X48*24A*	*9MPV100	EHD4X60A**	0.97	0.97	EN(A,D)4X48*24**	*9MV*1202422A**	0.97	0.97	0.97
EA*4X48*24A*	*9MPV125	EHD4X60A**	0.95	0.97	EN(A,D)4X48*24**	*9MX*0802120A**	0.95	0.97	0.93
EA*4X48*24A*	*9MV*1002116A**	EHD4X60A**	1.00	0.96	EN(A,D)4X48*24**	*9MX*1002120A**	1.00	0.97	0.93
EA*4X48*24A*	*9MVX080	EHD4X60A**	0.97	0.97	EN(A,D)4X48*24**	*9MX*1202422A**	0.97	0.97	0.97
EA*4X48*24A*	*9MVX100	EHD4X60A**	0.97	0.97	EN(A,D)4X48*24**	MV16J22**B*	0.97	0.98	0.91
EA*4X48*24A*	*9MX*1002116A**	EHD4X60A**	1.00	0.96	EN(A,D)4X48*24**	MV20L24**B*	1.00	0.98	0.91
EA*4X48*24A*	*9MX*1202422A**	EHD4X60A**	1.01	0.97	EN(A,D)4X48*24**	*8MPV100	1.01	0.98	0.96
EA*4X60*21A*	*8MV*0901716**	EN(A,D)4X48*24**	0.94	0.98	EN(A,D)4X48*24**	*8MPV125	0.94	0.98	0.94

COOLING Multiplying Factors for other Indoor Combinations

Indoor Model	Furnace Model	CAPACITY (MBh)	Power (AMPS)	Indoor Model	Furnace Model	CAPACITY (MBh)	Power (AMPS)
EA*4X60*21A*	*8MV*1102120**	0.98	0.94	EN(A,D)4X48*24**	*9MA*1002120A**	0.96	0.96
EA*4X60*21A*	*8MX*0902116**	0.99	0.95	EN(A,D)4X48*24**	*9MPV100	0.97	0.97
EA*4X60*21A*	*8MX*1102120**	0.98	0.94	EN(A,D)4X48*24**	*9MPV125	0.97	0.95
EA*4X60*21A*	*9MA*0602120A**	0.97	0.95	EN(A,D)4X48*24**	*9MV*1002116A**	0.96	0.96
EA*4X60*21A*	*9MA*0802120A**	0.97	0.92	EN(A,D)4X48*24**	*9MVX080	0.97	0.97
EA*4X60*21A*	*9MA*1002122A**	0.98	0.93	EN(A,D)4X48*24**	*9MVX100	0.97	0.97
EA*4X60*21A*	*9MV*0801716A**	0.97	0.97	EN(A,D)4X48*24**	*9MX*1002116A**	0.97	1.01
EA*4X60*21A*	*9MV*0802120A**	0.98	0.93	EN(A,D)4X48*24**		0.98	1.02
EA*4X60*21A*	*9MV*1002120A**	0.98	0.93	EN(A,D)4X61*24**	*8MV*1102120**	0.99	0.92
EA*4X60*21A*	*9MX*0801716A**	0.98	1.02	EN(A,D)4X61*24**	*8MV*1352422**	0.99	0.95
EA*4X60*21A*	*9MX*0802120A**	0.98	0.93	EN(A,D)4X61*24**	*8MX*0902116**	1.00	0.96
EA*4X60*21A*	*9MX*1002120A**	0.98	0.93	EN(A,D)4X61*24**	*8MX*1102120**	1.00	0.93
EA*4X60*21A*	MV16J22**B*	0.99	0.90	EN(A,D)4X61*24**	*8MX*1352420**	1.00	0.96
EA*4X60*21A*	*8MPV100	0.99	0.95	EN(A,D)4X61*24**	*9MA*0602120A**	0.98	0.93
EA*4X60*21A*	*8MPV125	0.99	0.94	EN(A,D)4X61*24**	*9MA*0802120A**	0.98	0.94
EA*4X60*21A*	*9MA*1002120A**	0.97	0.97	EN(A,D)4X61*24**	*9MA*1002122A**	0.99	0.95
EA*4X60*21A*	*9MPV100	0.99	0.97	EN(A,D)4X61*24**	*9MA*1202422A**	0.99	0.95
EA*4X60*21A*	*9MV*1002116A**	0.97	0.97	EN(A,D)4X61*24**	*9MV*0802120A**	0.99	0.95
EA*4X60*21A*	*9MX*1002116A**	0.98	0.98	EN(A,D)4X61*24**	*9MV*1002120A**	1.00	0.96
EA*4X60*21A*	OLV112A16A	0.98	0.98	EN(A,D)4X61*24**	*9MV*1202422A**	0.99	0.95
EA*4X60*21A*	*8MV*1102120**	0.99	0.99	EN(A,D)4X61*24**	*9MX*0802120A**	1.00	0.96
EA*4X60*21A*	*8MV*1352422**	0.99	0.95	EN(A,D)4X61*24**	MV16J22**B*	1.00	0.89
EA*4X60*21A*	*8MX*0902116**	0.99	0.95	EN(A,D)4X61*24**	MV20L24**B*	1.00	0.89
EA*4X60*21A*	*8MX*1102120**	0.99	0.95	EN(A,D)4X61*24**	*8MPV100	1.01	0.96
EA*4X60*21A*	*8MX*1352420**	0.99	0.95	EN(A,D)4X61*24**	*8MPV125	1.01	0.94
EA*4X60*21A*	*9MA*0602120A**	0.97	0.93	EN(A,D)4X61*24**	*9MA*1002120A**	0.99	0.97
EA*4X60*21A*	*9MA*0802120A**	0.97	0.92	EN(A,D)4X61*24**	*9MPV100	1.00	0.96
EA*4X60*21A*	*9MA*1002122A**	0.98	0.93	EN(A,D)4X61*24**	*9MPV125	1.00	0.95
EA*4X60*21A*	*9MA*1202422A**	0.98	0.96	EN(A,D)4X61*24**	*9MV*1002116A**	0.99	0.97
EA*4X60*21A*	*9MV*0802120A**	0.98	0.93	EN(A,D)4X61*24**	*9MVX080	1.00	0.96
EA*4X60*21A*	*9MV*1002120A**	0.98	0.96	EN(A,D)4X61*24**	*9MVX100	1.00	0.96
EA*4X60*21A*	*9MV*1202422A**	0.98	0.93	EN(A,D)4X61*24**	*9MX*1002116A**	0.99	0.97
EA*4X60*21A*	*9MX*0802120A**	0.98	0.93	EN(A,D,W)4X48*21**	*8MV*0901716**	0.97	0.97

COOLING Multiplying Factors for other Indoor Combinations

Indoor Model	Furnace Model	Indoor Model	Power (AMPS)	CAPACITY (MBh)	Power (AMPS)	Indoor Model	Furnace Model	CAPACITY (MBh)	Power (AMPS)
EA*4X60*24A*	*9MX*1202422A**	EN(A,D,W)4X48*21**	0.97	0.99	0.97	EN(A,D,W)4X48*21**	*8MV*1102120**	0.97	0.93
EA*4X60*24A*	MV16J22**B*	EN(A,D,W)4X48*21**	0.90	0.99	0.90	EN(A,D,W)4X48*21**	*8MX*0902116**	0.97	0.93
EA*4X60*24A*	MV20L24**B*	EN(A,D,W)4X48*21**	0.90	0.99	0.90	EN(A,D,W)4X48*21**	*8MX*1102120**	0.97	0.93
EA*4X60*24A*	*8MPV100	EN(A,D,W)4X48*21**	0.95	0.99	0.95	EN(A,D,W)4X48*21**	*9MA*0602120A**	0.96	0.94
EA*4X60*24A*	*8MPV125	EN(A,D,W)4X48*21**	0.94	0.99	0.94	EN(A,D,W)4X48*21**	*9MA*0802120A**	0.96	0.92
EA*4X60*24A*	*9MA*1002120A**	EN(A,D,W)4X48*21**	0.97	0.97	0.97	EN(A,D,W)4X48*21**	*9MA*1002122A**	0.97	0.93
EA*4X60*24A*	*9MPV100	EN(A,D,W)4X48*21**	0.97	0.99	0.97	EN(A,D,W)4X48*21**	*9MV*0801716A**	0.96	1.00
EA*4X60*24A*	*9MPV125	EN(A,D,W)4X48*21**	0.95	0.99	0.95	EN(A,D,W)4X48*21**	*9MV*0802120A**	0.97	0.93
EA*4X60*24A*	*9MV*1002116A**	EN(A,D,W)4X48*21**	0.97	0.97	0.97	EN(A,D,W)4X48*21**	*9MV*1002120A**	0.97	0.93
EA*4X60*24A*	*9MVX080	EN(A,D,W)4X48*21**	0.95	0.99	0.95	EN(A,D,W)4X48*21**	*9MX*0801716A**	0.96	1.00
EA*4X60*24A*	*9MVX100	EN(A,D,W)4X48*21**	0.94	0.98	0.94	EN(A,D,W)4X48*21**	*9MX*0802120A**	0.97	0.93
EA*4X60*24A*	*9MX*1002116A**	EN(A,D,W)4X48*21**	0.98	0.98	0.98	EN(A,D,W)4X48*21**	*9MX*1002120A**	0.97	0.93
EA*4X60*24A*	*8MV*0901716**	EN(A,D,W)4X48*21**	0.99	0.99	0.99	EN(A,D,W)4X48*21**	MV16J22**B*	0.98	0.91
ED*4X48F**	*8MV*1102120**	EN(A,D,W)4X48*21**	0.95	0.97	0.95	EN(A,D,W)4X48*21**	*8MPV100	0.98	0.96
ED*4X48F**	*8MX*0902116**	EN(A,D,W)4X48*21**	0.95	0.97	0.95	EN(A,D,W)4X48*21**	*8MPV125	0.98	0.94
ED*4X48F**	*8MX*1102120**	EN(A,D,W)4X48*21**	0.92	0.97	0.92	EN(A,D,W)4X48*21**	*9MA*1002120A**	0.96	0.96
ED*4X48F**	*9MA*0602120A**	EN(A,D,W)4X48*21**	0.96	0.96	0.96	EN(A,D,W)4X48*21**	*9MPV100	0.97	0.97
ED*4X48F**	*9MA*0802120A**	EN(A,D,W)4X48*21**	0.92	0.96	0.92	EN(A,D,W)4X48*21**	*9MV*1002116A**	0.96	0.96
ED*4X48F**	*9MA*1002122A**	EN(A,D,W)4X48*21**	0.93	0.97	0.93	EN(A,D,W)4X48*21**	*9MVX080	0.97	1.01
ED*4X48F**	*9MV*0802120A**	EN(A,D,W)4X48*21**	0.93	0.97	0.93	EN(A,D,W)4X48*21**	OLV112A16A	0.97	1.01
ED*4X48F**	*9MV*1002120A**	EN(A,D,W)4X48*21**	0.93	0.97	0.93	EN(A,D,W)4X48*21**		0.98	1.02
ED*4X48F**	*9MX*0802120A**	EN(A,D,W)4X60*24**	0.95	0.97	0.95	EN(A,D,W)4X60*24**	*8MV*1102120**	0.98	0.94
ED*4X48F**	*9MX*1002120A**	EN(A,D,W)4X60*24**	0.93	0.97	0.93	EN(A,D,W)4X60*24**	*8MV*1352422**	0.98	0.94
ED*4X48F**	*9MA*1002120A**	EN(A,D,W)4X60*24**	0.96	0.96	0.96	EN(A,D,W)4X60*24**	*8MX*0902116**	0.99	0.95
ED*4X48F**	*9MV*1002116A**	EN(A,D,W)4X60*24**	0.97	0.97	0.97	EN(A,D,W)4X60*24**	*8MX*1102120**	0.99	0.92
ED*4X48F**		EN(A,D,W)4X60*24**	0.97	0.97	0.97	EN(A,D,W)4X60*24**	*8MX*1352420**	0.99	0.95
ED*4X48J**	*9MA*0602120A**	EN(A,D,W)4X60*24**	0.95	0.95	0.95	EN(A,D,W)4X60*24**	*9MA*0602120A**	0.97	0.93
ED*4X48J**	*9MA*0802120A**	EN(A,D,W)4X60*24**	0.94	0.96	0.94	EN(A,D,W)4X60*24**	*9MA*0802120A**	0.97	0.92
ED*4X48J**	*9MA*1002122A**	EN(A,D,W)4X60*24**	0.92	0.96	0.92	EN(A,D,W)4X60*24**	*9MA*1002122A**	0.98	0.93
ED*4X48J**	*9MA*1202422A**	EN(A,D,W)4X60*24**	0.96	0.96	0.96	EN(A,D,W)4X60*24**	*9MA*1202422A**	0.98	0.96
ED*4X48J**	*9MV*0802120A**	EN(A,D,W)4X60*24**	0.94	0.96	0.94	EN(A,D,W)4X60*24**	*9MV*0802120A**	0.98	0.93
ED*4X48J**	*9MV*1002120A**	EN(A,D,W)4X60*24**	0.94	0.96	0.94	EN(A,D,W)4X60*24**	*9MV*1002120A**	0.98	0.93
ED*4X48J**	*9MV*1002120A**	EN(A,D,W)4X60*24**	0.94	0.96	0.94	EN(A,D,W)4X60*24**	*9MV*1202422A**	0.98	0.96
ED*4X48J**	*9MV*1202422A**	EN(A,D,W)4X60*24**	0.96	0.96	0.96	EN(A,D,W)4X60*24**	*9MX*0802120A**	0.99	0.94

COOLING Multiplying Factors for other Indoor Combinations

Indoor Model	Furnace Model	Indoor Model	Furnace Model	Power (AMPS)	CAPACITY (MBh)	Indoor Model	Furnace Model	Power (AMPS)	CAPACITY (MBh)
ED*4X48J**	*9MX*0802120A**	EN(A,D,W)4X60*24**	*9MX*1002120A**	0.94	0.96	EN(A,D,W)4X60*24**	*9MX*1002120A**	0.94	0.98
ED*4X48J**	*9MX*1002120A**	EN(A,D,W)4X60*24**	*9MX*1202422A**	0.94	0.96	EN(A,D,W)4X60*24**	*9MX*1202422A**	0.94	0.99
ED*4X48J**	*9MX*1202422A**	EN(A,D,W)4X60*24**	MV16J22**B*	0.97	0.97	EN(A,D,W)4X60*24**	MV16J22**B*	0.97	0.99
ED*4X48J**	MV16J22**B*	EN(A,D,W)4X60*24**	MV20L24**B*	0.92	0.97	EN(A,D,W)4X60*24**	MV20L24**B*	0.92	0.99
ED*4X48J**	MV20L24**B*	EN(A,D,W)4X60*24**	*8MPV100	0.92	0.97	EN(A,D,W)4X60*24**	*8MPV100	0.92	0.99
ED*4X48J**	*8MPV100	EN(A,D,W)4X60*24**	*8MPV125	0.95	0.97	EN(A,D,W)4X60*24**	*8MPV125	0.95	0.99
ED*4X48J**	*8MPV125	EN(A,D,W)4X60*24**	*9MA*1002120A**	0.95	0.97	EN(A,D,W)4X60*24**	*9MA*1002120A**	0.95	0.97
ED*4X48J**	*9MA*1002120A**	EN(A,D,W)4X60*24**	*9MPV100	1.00	0.96	EN(A,D,W)4X60*24**	*9MPV100	1.00	0.99
ED*4X48J**	*9MPV100	EN(A,D,W)4X60*24**	*9MPV125	0.97	0.97	EN(A,D,W)4X60*24**	*9MPV125	0.97	0.99
ED*4X48J**	*9MPV125	EN(A,D,W)4X60*24**	*9MV*1002116A**	0.97	0.97	EN(A,D,W)4X60*24**	*9MV*1002116A**	0.97	0.97
ED*4X48J**	*9MV*1002116A**	EN(A,D,W)4X60*24**	*9MVX080	1.00	0.96	EN(A,D,W)4X60*24**	*9MVX080	1.00	0.99
ED*4X48J**	*9MVX080	EN(A,D,W)4X60*24**	*9MVX100	0.97	0.97	EN(A,D,W)4X60*24**	*9MVX100	0.97	0.99
ED*4X48J**	*9MVX100	EN(A,D,W)4X60*24**	*9MX*1002116A**	1.00	0.96	EN(A,D,W)4X60*24**	*9MX*1002116A**	1.00	0.98
ED*4X48J**	*9MX*1002116A**	EN(A,D,W)4X60*24**	*8MV*1102120**	1.01	0.97	EN(A,D,W)4X60*24**	*8MV*1102120**	1.01	0.99
ED*4X48L**	*8MV*1102120**	ENH4X48*21**	*8MV*1352422**	0.94	0.96	ENH4X48*21**	*8MV*1352422**	0.94	0.97
ED*4X48L**	*8MV*1352422**	ENH4X48*21**	*8MX*0902116**	0.93	0.97	ENH4X48*21**	*8MX*0902116**	0.93	0.97
ED*4X48L**	*8MX*0902116**	ENH4X48*21**	*8MX*1102120**	0.95	0.97	ENH4X48*21**	*8MX*1102120**	0.95	0.97
ED*4X48L**	*8MX*1102120**	ENH4X48*21**	*8MX*1352420**	0.93	0.97	ENH4X48*21**	*8MX*1352420**	0.93	0.97
ED*4X48L**	*8MX*1352420**	ENH4X48*21**	*9MA*0602120A**	0.95	0.95	ENH4X48*21**	*9MA*0602120A**	0.95	0.96
ED*4X48L**	*9MA*0602120A**	ENH4X48*21**	*9MA*0802120A**	0.92	0.96	ENH4X48*21**	*9MA*0802120A**	0.92	0.96
ED*4X48L**	*9MA*0802120A**	ENH4X48*21**	*9MA*1002122A**	0.92	0.96	ENH4X48*21**	*9MA*1002122A**	0.92	0.96
ED*4X48L**	*9MA*1002122A**	ENH4X48*21**	*9MV*0802120A**	0.94	0.96	ENH4X48*21**	*9MV*0802120A**	0.94	0.96
ED*4X48L**	*9MV*0802120A**	ENH4X48*21**	*9MV*1002120A**	0.94	0.97	ENH4X48*21**	*9MV*1002120A**	0.94	0.96
ED*4X48L**	*9MV*1002120A**	ENH4X48*21**	*9MV*1202422A**	0.93	0.97	ENH4X48*21**	*9MV*1202422A**	0.93	1.00
ED*4X48L**	*9MV*1202422A**	ENH4X48*21**	*9MV*0802120A**	0.95	0.97	ENH4X48*21**	*9MV*0802120A**	0.95	0.97
ED*4X48L**	*9MV*0802120A**	ENH4X48*21**	*9MX*0802120A**	0.95	0.97	ENH4X48*21**	*9MX*0802120A**	0.95	0.97
ED*4X48L**	*9MX*0802120A**	ENH4X48*21**	MV16J22**B*	0.92	0.97	ENH4X48*21**	MV16J22**B*	0.92	0.97
ED*4X48L**	MV16J22**B*	ENH4X48*21**	MV20L24**B*	0.92	0.97	ENH4X48*21**	MV20L24**B*	0.92	0.97
ED*4X48L**	MV20L24**B*	ENH4X48*21**	*8MPV100	0.92	0.97	ENH4X48*21**	*8MPV100	0.92	0.97
ED*4X48L**	*8MPV100	ENH4X48*21**	*8MPV125	0.95	0.97	ENH4X48*21**	*8MPV125	0.95	0.97
ED*4X48L**	*8MPV125	ENH4X48*21**	*9MA*1002120A**	0.93	0.96	ENH4X48*21**	*9MA*1002120A**	0.93	0.98
ED*4X48L**	*9MA*1002120A**	ENH4X48*21**	*9MPV100	0.94	0.96	ENH4X48*21**	*9MPV100	0.94	0.98
ED*4X48L**	*9MPV100	ENH4X48*21**	*9MV*1002120A**	0.97	0.97	ENH4X48*21**	*9MV*1002120A**	0.97	0.96
ED*4X48L**	*9MV*1002120A**	ENH4X48*21**	*9MV*1202422A**	0.97	0.97	ENH4X48*21**	*9MV*1202422A**	0.97	0.96
ED*4X48L**	*9MV*1202422A**	ENH4X48*21**	*9MV*0802120A**	0.94	0.97	ENH4X48*21**	*9MV*0802120A**	0.94	0.96
ED*4X48L**	*9MV*0802120A**	ENH4X48*21**	*9MX*1002120A**	0.94	0.97	ENH4X48*21**	*9MX*1002120A**	0.94	0.96
ED*4X48L**	*9MX*1002120A**	ENH4X48*21**	*9MV*0901716**	0.97	0.97	ENH4X48*21**	*9MV*0901716**	0.97	0.96
ED*4X48L**	*9MV*0901716**	ENH4X48*21**	*8MV*1102120**	0.97	0.97	ENH4X48*21**	*8MV*1102120**	0.97	0.97
ED*4X48L**	*8MV*1102120**	ENH4X48*21**	*8MV*1352422**	0.93	0.97	ENH4X48*21**	*8MV*1352422**	0.93	0.93
ED*4X48L**	*8MV*1352422**	ENH4X48*21**	*8MX*1352422**	0.95	0.97	ENH4X48*21**	*8MX*1352422**	0.95	0.93
ED*4X48L**	*8MX*1352422**	ENH4X48*21**	*8MX*0902116**	0.95	0.97	ENH4X48*21**	*8MX*0902116**	0.95	0.93
ED*4X48L**	*8MX*0902116**	ENH4X48*21**	*8MX*1102120**	0.93	0.97	ENH4X48*21**	*8MX*1102120**	0.93	0.97
ED*4X48L**	*8MX*1102120**	ENH4X48*21**	*8MX*1352420**	0.93	0.97	ENH4X48*21**	*8MX*1352420**	0.93	0.97
ED*4X48L**	*8MX*1352420**	ENH4X48*21**	*9MA*0602120A**	0.95	0.95	ENH4X48*21**	*9MA*0602120A**	0.95	0.96
ED*4X48L**	*9MA*0602120A**	ENH4X48*21**	*9MA*0802120A**	0.92	0.96	ENH4X48*21**	*9MA*0802120A**	0.92	0.96
ED*4X48L**	*9MA*0802120A**	ENH4X48*21**	*9MA*1002122A**	0.92	0.96	ENH4X48*21**	*9MA*1002122A**	0.92	0.96
ED*4X48L**	*9MA*1002122A**	ENH4X48*21**	*9MV*0802120A**	0.94	0.96	ENH4X48*21**	*9MV*0802120A**	0.94	0.96
ED*4X48L**	*9MV*0802120A**	ENH4X48*21**	*9MV*1002120A**	0.94	0.97	ENH4X48*21**	*9MV*1002120A**	0.94	0.96
ED*4X48L**	*9MV*1002120A**	ENH4X48*21**	*9MV*1202422A**	0.93	0.97	ENH4X48*21**	*9MV*1202422A**	0.93	1.00
ED*4X48L**	*9MV*1202422A**	ENH4X48*21**	*9MV*0802120A**	0.95	0.97	ENH4X48*21**	*9MV*0802120A**	0.95	0.93
ED*4X48L**	*9MV*0802120A**	ENH4X48*21**	*9MX*0802120A**	0.95	0.97	ENH4X48*21**	*9MX*0802120A**	0.95	0.93
ED*4X48L**	*9MX*0802120A**	ENH4X48*21**	MV16J22**B*	0.92	0.97	ENH4X48*21**	MV16J22**B*	0.92	0.97
ED*4X48L**	MV16J22**B*	ENH4X48*21**	MV20L24**B*	0.92	0.97	ENH4X48*21**	MV20L24**B*	0.92	0.97
ED*4X48L**	MV20L24**B*	ENH4X48*21**	*8MPV100	0.95	0.97	ENH4X48*21**	*8MPV100	0.95	0.97
ED*4X48L**	*8MPV100	ENH4X48*21**	*8MPV125	0.93	0.97	ENH4X48*21**	*8MPV125	0.93	0.91
ED*4X48L**	*8MPV125	ENH4X48*21**	*9MA*1002120A**	0.94	0.96	ENH4X48*21**	*9MA*1002120A**	0.94	0.91
ED*4X48L**	*9MA*1002120A**	ENH4X48*21**	*9MPV100	0.97	0.97	ENH4X48*21**	*9MPV100	0.97	0.96
ED*4X48L**	*9MPV100	ENH4X48*21**							

COOLING Multiplying Factors for other Indoor Combinations

Indoor Model	Furnace Model	CAPACITY (MBh)	Power (AMPS)	Indoor Model	Furnace Model	CAPACITY (MBh)	Power (AMPS)
ED*4X48L**	*9MPV125	0.97	0.95	ENH4X48*21**	*8MPV125	0.98	0.94
ED*4X48L**	*9MV*1002116A**	0.96	0.96	ENH4X48*21**	*9MA*1002120A**	0.96	0.96
ED*4X48L**	*9MVX080	0.97	0.97	ENH4X48*21**	*9MPV100	0.97	0.97
ED*4X48L**	*9MVX100	0.97	0.95	ENH4X48*21**	*9MPV125	0.97	0.95
ED*4X48L**	*9MX*1002116A**	0.96	0.96	ENH4X48*21**	*9MV*1002116A**	0.96	0.96
ED*4X48L**	OLV154F20A	0.98	0.98	ENH4X48*21**	*9MVX080	0.97	0.97
ED*4X48L**		0.97	0.99	ENH4X48*21**	*9MVX100	0.97	0.97
ED*4X60J**	*8MV*1102120**	0.98	0.93	ENH4X48*21**	*9MX*1002116A**	0.97	1.01
ED*4X60J**	*8MV*1352422**	0.98	0.93	ENH4X48*21**	OLV112A16A	0.97	1.01
ED*4X60J**	*8MX*0902116**	0.99	0.94	ENH4X48*21**	OLV154F20A	0.99	0.99
ED*4X60J**	*8MX*1102120**	0.98	0.93	ENH4X48*21**		0.98	1.02
ED*4X60J**	*8MX*1352420**	0.98	0.93	ENH4X60*24**	*8MV*0901716**	0.98	0.94
ED*4X60J**	*9MA*0602120A**	0.97	0.95	ENH4X60*24**	*8MV*1102120**	0.98	0.94
ED*4X60J**	*9MA*0802120A**	0.97	0.92	ENH4X60*24**	*8MV*1352422**	0.98	0.94
ED*4X60J**	*9MA*1002122A**	0.98	0.93	ENH4X60*24**	*8MX*0902116**	0.99	0.95
ED*4X60J**	*9MA*1202422A**	0.97	0.92	ENH4X60*24**	*8MX*1102120**	0.99	0.95
ED*4X60J**	*9MV*0802120A**	0.98	0.93	ENH4X60*24**	*8MX*1352420**	0.99	0.95
ED*4X60J**	*9MV*1002120A**	0.98	0.93	ENH4X60*24**	*9MA*0602120A**	0.97	0.93
ED*4X60J**	*9MV*1202422A**	0.98	0.93	ENH4X60*24**	*9MA*0802120A**	0.97	0.92
ED*4X60J**	*9MX*0802120A**	0.98	0.93	ENH4X60*24**	*9MA*1002122A**	0.98	0.93
ED*4X60J**	*9MX*1002120A**	0.98	0.93	ENH4X60*24**	*9MA*1202422A**	0.98	0.96
ED*4X60J**	MV16J22**B*	0.99	0.90	ENH4X60*24**	*9MV*0801716A**	0.97	0.97
ED*4X60J**	MV20L24**B*	0.99	0.90	ENH4X60*24**	*9MV*0802120A**	0.98	0.93
ED*4X60J**	*8MPV100	0.99	0.95	ENH4X60*24**	*9MV*1002120A**	0.98	0.93
ED*4X60J**	*8MPV125	0.99	0.94	ENH4X60*24**	*9MV*1202422A**	0.98	0.96
ED*4X60J**	*9MA*1002120A**	0.97	0.95	ENH4X60*24**	*9MX*0801716A**	0.98	0.98
ED*4X60J**	*9MPV100	0.99	0.97	ENH4X60*24**	*9MX*0802120A**	0.99	0.94
ED*4X60J**	*9MPV125	0.99	0.95	ENH4X60*24**	*9MX*1002120A**	0.98	0.93
ED*4X60J**	*9MV*1002116A**	0.98	0.96	ENH4X60*24**	*9MX*1202422A**	0.99	0.97
ED*4X60J**	*9MVX080	0.99	0.97	ENH4X60*24**	MV16J22**B*	0.99	0.90
ED*4X60J**	*9MVX100	0.98	0.94	ENH4X60*24**	MV20L24**B*	0.99	0.90
ED*4X60J**	*9MX*1002116A**	0.98	0.96	ENH4X60*24**	*8MPV100	0.99	0.94
ED*4X60J**		0.99	0.99	ENH4X60*24**	*8MPV125	0.99	0.94
ED*4X60L**	*8MV*1352422**	0.98	0.94	ENH4X60*24**	*9MA*1002120A**	0.97	0.95
				ENH4X60*24**	*9MPV100	0.99	0.97

COOLING Multiplying Factors for other Indoor Combinations

Indoor Model	Furnace Model	CAPACITY (MBh)	Power (AMPS)	Indoor Model	Furnace Model	CAPACITY (MBh)	Power (AMPS)
ED*4X60L**	*8MX*1352420**	0.99	0.95	ENH4X60*24**	*9MPV125	0.99	0.95
ED*4X60L**	*9MA*0602120A**	0.97	0.93	ENH4X60*24**	*9MV*1002116A**	0.97	0.95
ED*4X60L**	*9MA*0802120A**	0.97	0.92	ENH4X60*24**	*9MVX080	0.99	0.97
ED*4X60L**	*9MA*1002122A**	0.98	0.93	ENH4X60*24**	*9MVX100	0.99	0.95
ED*4X60L**	*9MA*1202422A**	0.98	0.96	ENH4X60*24**	*9MX*1002116A**	0.98	0.98
ED*4X60L**	*9MV*0802120A**	0.98	0.93	ENH4X60*24**	OLV112A16A	0.98	0.98
ED*4X60L**	*9MV*1002120A**	0.98	0.93	ENH4X60*24**	OLV154F20A	1.00	0.96
ED*4X60L**	*9MV*1202422A**	0.98	0.96	ENH4X60*24**		0.99	0.99
ED*4X60L**	*9MX*0802120A**	0.98	0.93	ENH4X61*24**	*8MV*0901716**	0.98	0.94
ED*4X60L**	*9MX*1002120A**	0.98	0.93	ENH4X61*24**	*8MV*1102120**	0.98	0.94
ED*4X60L**	*9MX*1202422A**	0.99	0.97	ENH4X61*24**	*8MV*1352422**	0.99	0.95
ED*4X60L**	MV16J22**B*	0.99	0.90	ENH4X61*24**	*8MX*0902116**	0.99	0.95
ED*4X60L**	MV20L24**B*	0.99	0.90	ENH4X61*24**	*8MX*1102120**	0.99	0.95
ED*4X60L**	*8MPV100	0.99	0.95	ENH4X61*24**	*8MX*1352420**	0.99	0.95
ED*4X60L**	*8MPV125	0.99	0.94	ENH4X61*24**	*9MA*0602120A**	0.97	0.93
ED*4X60L**	*9MA*1002120A**	0.97	0.97	ENH4X61*24**	*9MA*0802120A**	0.98	0.93
ED*4X60L**	*9MPV100	0.99	0.97	ENH4X61*24**	*9MA*1002122A**	0.99	0.95
ED*4X60L**	*9MPV125	0.99	0.95	ENH4X61*24**	*9MA*1202422A**	0.98	0.96
ED*4X60L**	*9MV*1002116A**	0.97	0.97	ENH4X61*24**	*9MV*0801716A**	0.98	0.98
ED*4X60L**	*9MVX080	0.99	0.95	ENH4X61*24**	*9MV*0802120A**	0.98	0.93
ED*4X60L**	*9MVX100	0.98	0.94	ENH4X61*24**	*9MV*1002120A**	0.99	0.94
ED*4X60L**	*9MX*1002116A**	0.98	0.98	ENH4X61*24**	*9MV*1202422A**	0.98	0.96
ED*4X60L**		0.99	0.99	ENH4X61*24**	*9MX*0801716A**	0.98	0.98
EHD4X48A**	*8MV*0901716**	0.97	0.93	ENH4X61*24**	*9MX*0802120A**	0.99	0.94
EHD4X48A**	*8MV*1102120**	0.97	0.93	ENH4X61*24**	*9MX*1002120A**	0.99	0.94
EHD4X48A**	*8MV*1352422**	0.98	0.94	ENH4X61*24**	*9MX*1202422A**	0.99	0.97
EHD4X48A**	*8MX*0902116**	0.98	0.94	ENH4X61*24**	MV16J22**B*	0.99	0.90
EHD4X48A**	*8MX*1102120**	0.98	0.94	ENH4X61*24**	MV20L24**B*	0.99	0.90
EHD4X48A**	*8MX*1352420**	0.96	0.94	ENH4X61*24**	*8MPV100	1.00	0.95
EHD4X48A**	*9MA*0602120A**	0.97	0.93	ENH4X61*24**	*8MPV125	1.00	0.95
EHD4X48A**	*9MA*0802120A**	0.98	0.93	ENH4X61*24**	*9MA*1002120A**	0.98	0.96
EHD4X48A**	*9MA*1002122A**	0.97	0.93	ENH4X61*24**	*9MPV100	0.99	0.97
EHD4X48A**	*9MA*1202422A**	0.97	0.95	ENH4X61*24**	*9MPV125	0.99	0.95
EHD4X48A**	*9MV*0801716A**	0.97	1.01	ENH4X61*24**	*9MV*1002116A**	0.98	0.96
EHD4X48A**	*9MV*0802120A**	0.97	0.93	ENH4X61*24**	*9MVX080	0.99	0.95

COOLING Multiplying Factors for other Indoor Combinations

Indoor Model	Furnace Model	CAPACITY (MBh)	Power (AMPS)	Indoor Model	Furnace Model	CAPACITY (MBh)	Power (AMPS)
EHD4X48A**	*9MV*1002120A**	0.97	0.93	ENH4X61*24**	*9MVX100	0.99	0.95
EHD4X48A**	*9MV*1202422A**	0.97	0.95	ENH4X61*24**	*9MX*1002116A**	0.98	0.98
EHD4X48A**	*9MX*0801716A**	0.97	1.01	ENH4X61*24**	OLV112A16A	0.98	0.98
EHD4X48A**	*9MX*0802120A**	0.98	0.94	ENH4X61*24**	OLV154F20A	1.00	0.96
EHD4X48A**	*9MX*1002120A**	0.97	0.93	ENH4X61*24**		1.00	1.00
EHD4X48A**	*9MX*1202422A**	0.98	0.96	FCM4X48****		0.99	0.92
EHD4X48A**	MV16J22**B*	0.98	0.91	FCM4X60****		1.00	0.93
EHD4X48A**	MV20L24**B*	0.98	0.91	FEM4P48**A*		0.97	0.97
EHD4X48A**	*8MPV100	0.98	0.96	FEM4X48****		0.99	0.95
EHD4X48A**	*8MPV125	0.98	0.94	FEM4X60****		1.01	0.94
EHD4X48A**	*9MA*1002120A**	0.97	0.97	FEM4X60**B*		0.99	0.95
EHD4X48A**	*9MPV100	0.98	0.96	FS(M,U)4P48**A*		0.99	0.99
EHD4X48A**	*9MPV125	0.98	0.96	FS(M,U)4X60**A*		0.99	1.03
EHD4X48A**	*9MV*1002116A**	0.97	0.97	FVM4X48****		0.99	0.92
EHD4X48A**	*9MVX080	0.98	0.98	FVM4X60****		1.00	0.91
EHD4X48A**	*9MVX100	0.98	0.98	FXM4X48**A*		1.00	0.96
				FXM4X60**A*		1.01	0.94

COOLING Multiplying Factors for other Indoor Combinations

(C,H,T)SA660

Indoor Model	Furnace Model	CAPACITY (MBh)	Power (AMPS)	Indoor Model	Furnace Model	CAPACITY (MBh)	Power (AMPS)
*EN(A,D)4X61*24**		1.00	1.00	EN(A,D)4X61*24**	*8MX*1102120**	0.99	0.95
EA*4X60*21A*	*8MV*1102120**	0.97	0.97	EN(A,D)4X61*24**	*8MX*1352420**	0.99	0.95
EA*4X60*21A*	*8MX*1102120**	0.97	0.94	EN(A,D)4X61*24**	*9MA*0802120A**	0.98	0.94
EA*4X60*21A*	*9MA*1002122A**	0.97	0.96	EN(A,D)4X61*24**	*9MA*1002122A**	0.99	0.94
EA*4X60*21A*	*9MV*1002120A**	0.97	0.96	EN(A,D)4X61*24**	*9MA*1202422A**	0.98	0.97
EA*4X60*21A*	*9MX*0802120A**	0.97	0.96	EN(A,D)4X61*24**	*9MV*1002120A**	0.99	0.95
EA*4X60*21A*	MV16J22**B*	0.98	0.93	EN(A,D)4X61*24**	*9MV*1202422A**	0.98	0.97
EA*4X60*21A*	*8MPV125	0.98	0.97	EN(A,D)4X61*24**	*9MX*0802120A**	0.98	0.94
EA*4X60*21A*	*9MA*1002120A**	0.96	1.00	EN(A,D)4X61*24**	*9MX*1002120A**	0.99	0.98
EA*4X60*21A*		0.97	0.97	EN(A,D)4X61*24**	*9MX*1202422A**	0.98	0.97
EA*4X60*24A*	*8MV*1102120**	0.97	0.94	EN(A,D)4X61*24**	MV16J22**B*	1.00	0.91
EA*4X60*24A*	*8MV*1352422**	0.97	0.94	EN(A,D)4X61*24**	MV20L24**B*	1.00	0.91
EA*4X60*24A*	*8MX*1102120**	0.97	0.94	EN(A,D)4X61*24**	*8MPV125	0.99	0.95
EA*4X60*24A*	*8MX*1352420**	0.97	0.94	EN(A,D)4X61*24**	*9MA*1002120A**	0.98	0.98
EA*4X60*24A*	*9MA*0802120A**	0.96	0.95	EN(A,D)4X61*24**	*9MVX080	0.99	0.99
EA*4X60*24A*	*9MA*1002122A**	0.97	0.94	EN(A,D)4X61*24**	*9MVX100	0.99	0.99
EA*4X60*24A*	*9MA*1202422A**	0.97	0.96	EN(A,D,W)4X60*24**	*8MV*1102120**	0.97	0.97
EA*4X60*24A*	*9MV*1002120A**	0.97	0.96	EN(A,D,W)4X60*24**	*8MV*1352422**	0.97	0.94
EA*4X60*24A*	*9MV*1202422A**	0.97	0.96	EN(A,D,W)4X60*24**	*8MX*1102120**	0.98	0.94
EA*4X60*24A*	*9MX*0802120A**	0.97	0.96	EN(A,D,W)4X60*24**	*8MX*1352420**	0.97	0.94
EA*4X60*24A*	*9MX*1002120A**	0.97	0.96	EN(A,D,W)4X60*24**	*9MA*0802120A**	0.96	0.95
EA*4X60*24A*	*9MX*1202422A**	0.97	0.96	EN(A,D,W)4X60*24**	*9MA*1002122A**	0.97	0.94
EA*4X60*24A*	MV16J22**B*	0.98	0.93	EN(A,D,W)4X60*24**	*9MA*1202422A**	0.97	0.96
EA*4X60*24A*	MV20L24**B*	0.98	0.93	EN(A,D,W)4X60*24**	*9MV*1002120A**	0.97	0.96
EA*4X60*24A*	*8MPV125	0.98	0.97	EN(A,D,W)4X60*24**	*9MV*1202422A**	0.97	0.96
EA*4X60*24A*	*9MA*1002120A**	0.96	1.00	EN(A,D,W)4X60*24**	*9MX*0802120A**	0.97	0.96
EA*4X60*24A*		0.99	0.99	EN(A,D,W)4X60*24**	*9MX*1002120A**	0.97	0.96
ED*4X60J**	*8MV*1102120**	0.97	0.96	EN(A,D,W)4X60*24**	*9MX*1202422A**	0.97	0.96
ED*4X60J**	*8MV*1352422**	0.97	0.94	EN(A,D,W)4X60*24**	MV16J22**B*	0.98	0.91
ED*4X60J**	*8MX*1102120**	0.97	0.94	EN(A,D,W)4X60*24**	MV20L24**B*	0.98	0.91
ED*4X60J**	*8MX*1352420**	0.97	0.94	EN(A,D,W)4X60*24**	*8MPV125	0.98	0.97
ED*4X60J**	*9MA*1002122A**	0.97	0.96	EN(A,D,W)4X60*24**	*9MA*1002120A**	0.96	0.96

COOLING Multiplying Factors for other Indoor Combinations

Indoor Model	Furnace Model	CAPACITY (MBh)	Power (AMPS)	Indoor Model	Furnace Model	CAPACITY (MBh)	Power (AMPS)
ED*4X60J**	*9MA*1202422A**	0.97	0.96	EN(A,D,W)4X60*24**	*9MVX080	0.97	1.01
ED*4X60J**	*9MV*1002120A**	0.97	0.96	EN(A,D,W)4X60*24**	*9MVX100	0.97	0.97
ED*4X60J**	*9MV*1202422A**	0.97	0.94	EN(A,D,W)4X60*24**		0.99	0.99
ED*4X60J**	*9MX*0802120A**	0.97	0.96	ENH4X60*24**	*8MV*1102120**	0.97	0.94
ED*4X60J**	*9MX*1202422A**	0.97	0.96	ENH4X60*24**	*8MV*1352422**	0.97	0.94
ED*4X60J**	MV16J22**B*	0.98	0.93	ENH4X60*24**	*8MX*1102120**	0.98	0.94
ED*4X60J**	MV20L24**B*	0.98	0.93	ENH4X60*24**	*8MX*1352420**	0.97	0.94
ED*4X60J**	*8MPV125	0.98	0.97	ENH4X60*24**	*9MA*0802120A**	0.96	0.95
ED*4X60L**	*8MV*1352422**	0.97	0.94	ENH4X60*24**	*9MA*1002122A**	0.97	0.94
ED*4X60L**	*8MX*1352420**	0.97	0.94	ENH4X60*24**	*9MA*1202422A**	0.97	0.96
ED*4X60L**	*9MA*0802120A**	0.96	0.95	ENH4X60*24**	*9MV*1002120A**	0.97	0.96
ED*4X60L**	*9MA*1002122A**	0.97	0.94	ENH4X60*24**	*9MV*1202422A**	0.97	0.96
ED*4X60L**	*9MA*1202422A**	0.97	0.96	ENH4X60*24**	*9MX*0802120A**	0.97	0.96
ED*4X60L**	*9MV*1002120A**	0.97	0.96	ENH4X60*24**	*9MX*1002120A**	0.97	0.96
ED*4X60L**	*9MV*1202422A**	0.97	0.96	ENH4X60*24**	*9MX*1202422A**	0.97	0.96
ED*4X60L**	*9MX*0802120A**	0.97	0.96	ENH4X60*24**	MV16J22**B*	0.98	0.91
ED*4X60L**	*9MX*1002120A**	0.97	0.96	ENH4X60*24**	MV20L24**B*	0.98	0.91
ED*4X60L**	*9MX*1202422A**	0.97	0.96	ENH4X60*24**	*8MPV125	0.98	0.97
ED*4X60L**	MV16J22**B*	0.98	0.93	ENH4X60*24**	*9MA*1002120A**	0.96	0.96
ED*4X60L**	MV20L24**B*	0.98	0.93	ENH4X60*24**	*9MVX080	0.97	1.01
ED*4X60L**	*8MPV125	0.98	0.97	ENH4X60*24**	*9MVX100	0.97	0.97
ED*4X60L**	*9MA*1002120A**	0.96	1.00	ENH4X61*24**		0.99	0.99
ED*4X60L**	*8MV*1102120**	0.99	0.99	ENH4X61*24**	*8MV*1102120**	0.98	0.94
EHD4X60A**	*8MV*1352422**	0.98	0.94	ENH4X61*24**	*8MV*1352422**	0.98	0.94
EHD4X60A**	*8MX*1102120**	0.98	0.94	ENH4X61*24**	*8MX*1102120**	0.98	0.94
EHD4X60A**	*8MX*1352420**	0.98	0.94	ENH4X61*24**	*8MX*1352420**	0.97	0.94
EHD4X60A**	*8MA*0802120A**	0.97	0.94	ENH4X61*24**	*9MA*1002122A**	0.98	0.94
EHD4X60A**	*8MA*1002122A**	0.98	0.94	ENH4X61*24**	*9MA*1202422A**	0.97	0.96
EHD4X60A**	*9MA*0802120A**	0.97	0.94	ENH4X61*24**	*9MV*1002120A**	0.98	0.97
EHD4X60A**	*9MA*1002122A**	0.98	0.94	ENH4X61*24**	*9MV*1202422A**	0.97	0.96
EHD4X60A**	*9MA*1202422A**	0.98	0.97	ENH4X61*24**	*9MX*0802120A**	0.97	0.96
EHD4X60A**	*9MV*1002120A**	0.98	0.97	ENH4X61*24**	*9MX*1202422A**	0.97	0.96
EHD4X60A**	*9MV*1202422A**	0.98	0.97	ENH4X61*24**	MV16J22**B*	0.99	0.92

COOLING Multiplying Factors for other Indoor Combinations

Indoor Model	Furnace Model	CAPACITY (MBh)	Power (AMPS)	Indoor Model	Furnace Model	CAPACITY (MBh)	Power (AMPS)
EHD4X60A**	*9MX*0802120A**	0.97	0.94	ENH4X61*24**	MV20L24**B*	0.99	0.94
EHD4X60A**	*9MX*1002120A**	0.98	0.97	ENH4X61*24**	*8MPV125	0.98	0.97
EHD4X60A**	*9MX*1202422A**	0.98	0.97	ENH4X61*24**	*9MA*1002120A**	0.97	1.01
EHD4X60A**	MV16J22**B*	0.99	0.92	ENH4X61*24**	*9MVX080	0.98	1.02
EHD4X60A**	MV20L24**B*	0.99	0.92	ENH4X61*24**	*9MVX100	0.98	0.98
EHD4X60A**	*8MPV125	0.99	0.98	ENH4X61*24**		0.98	0.98
EHD4X60A**	*9MA*1002120A**	0.97	0.97	FCM4X60****		0.99	0.92
EHD4X60A**		0.99	0.99	FEM4X60****		1.00	0.95
EN(A,D)4X61*24**	*8MV*1102120**	0.99	0.95	FEM4X60**B*		0.98	0.98
EN(A,D)4X61*24**	*8MV*1352422**	0.99	0.95	FVM4X60****		0.99	0.92
				FXM4X60**A*		1.00	0.96