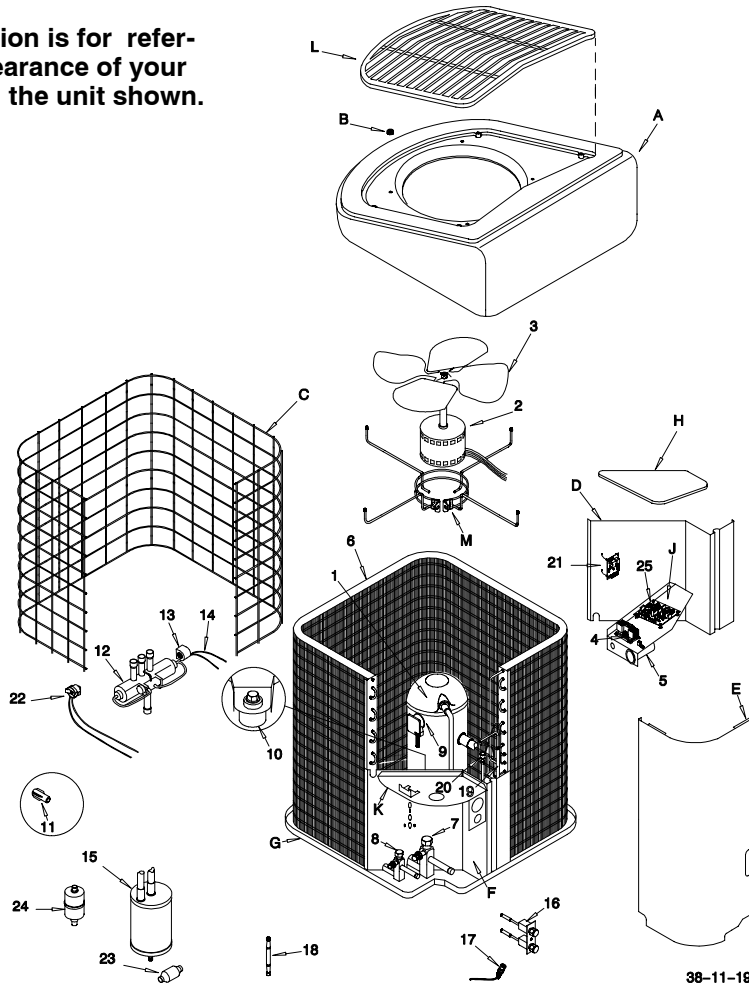


Replacement Parts, W/D & Tech Data

TCH018-060 Series

NOTE: This illustration is for reference only. The appearance of your unit may differ from the unit shown.



38-11-19ah

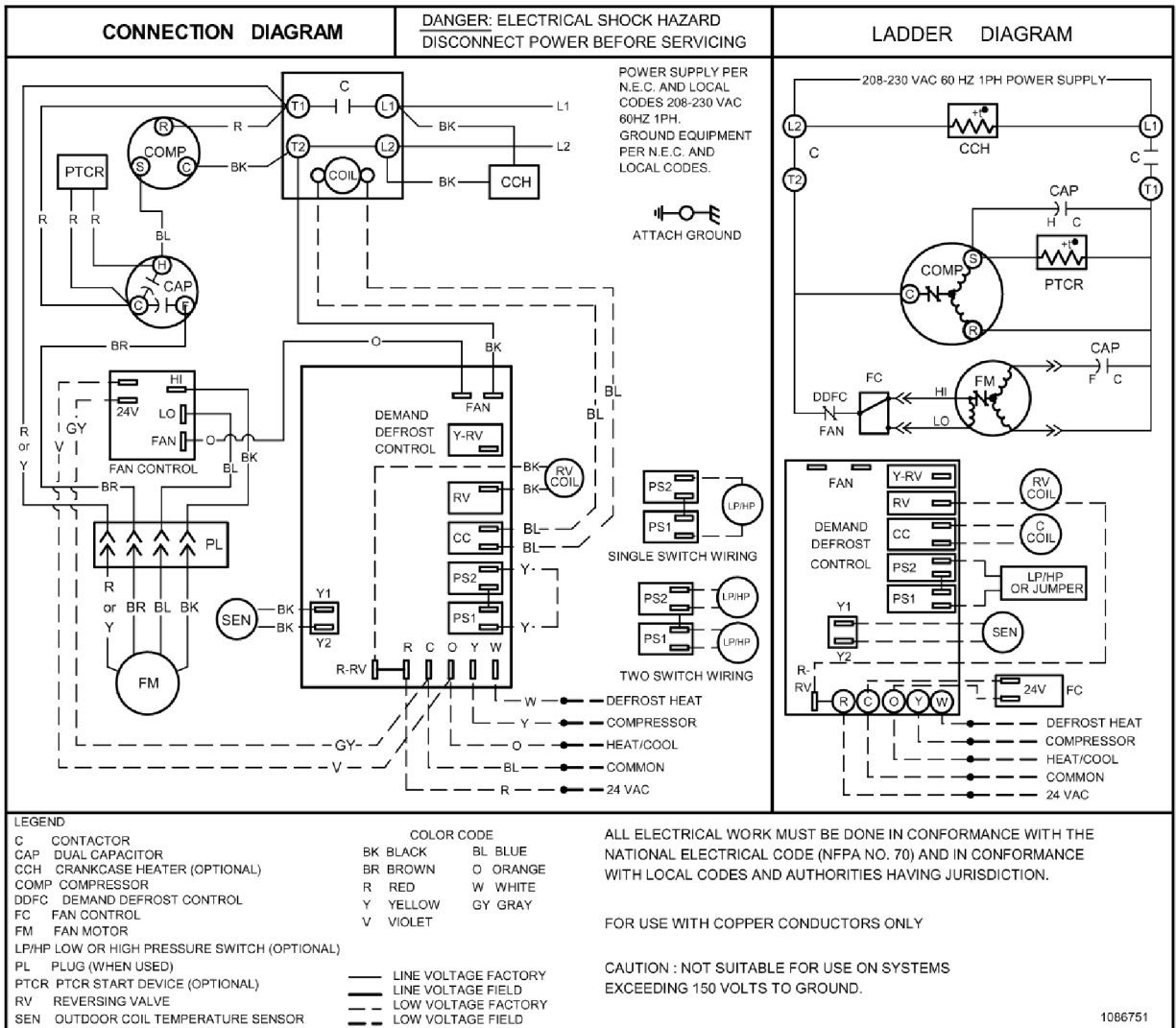
KEY NO.	DESCRIPTION	PART NUMBER												
			TCH018AKA1	TCH024AKA1	TCH030AKA1	TCH036AKA1	TCH042AKA1	TCH048AKA1	TCH060AKA1	TCH060AKA2	TCH060AKA3			
A	Panel, Top	1085985	1	1										
A		1086063	-	-	1	1	1							
A		1086064	-	-	-	-	-	1	1	1	1			
B	Nut, Flanged	1086220	4	4	4	4	4	4	4	4	4			
C	Grille, Inlet	1086036	1											
C		1086056	-	1										
C		1086235	-	-	1									
C		1086225	-	-	*	1								
C		1086525	-	-	-	-	1							
C		1087094	-	-	-	-	-	1						
C		1086239	-	-	-	-	-	-	1	1	1	1		
D	Box, Control	1086046	1	1	1	1	1	1	1	1	1	1	1	1
E	Cover, Control Box	1086037	1		1									
E		1086213	-	1	1					1	1	1		
E		1086215	-	-	-	1								
E		1086214	-	-	-	-	1							
E		1086359	-	-	-	-	-	1						
F	Panel, Corner	1086043	1		1					1	1	1		
F		1086343	-	1	1									
F		1086345	-	-	-	1				1	1	1		
F		1086347	-	-	-	-	1							
F		1086349	-	-	-	-	-	1						
G	Panel, Base	1085982	1	1										
G		1086041	-	-	1	1	1			1	1	1		
G		1086060	-	-	-	-	-	1	1	1	1	1		
H	Top, Control Box	1086045	1	1	1	1	1	1	1	1	1	1	1	1
J	Shelf, Control Box	1086363	1	1										
J		1086044	-	-	1	1	1	1	1	1	1	1	1	1
K	Bottom, Control Box	1086039	1	1	1	1	1	1	1	1	1	1	1	1
L	Grille, Top Discharge	1085993	1	1										
L		1086065	-	-	1	1	1							
L		1086074	-	-	-	-	-	1	1	1	1	1		
M	Mount, Motor	1087015	1	1										
M		1086068	-	-	1	1	1			1	1	1	1	1
M		1086072	-	-	-	-	-	1	1	1	1	1	1	1
(Manual, Parts List	42823320102	1	1	1	1	1	1	1	1	1	1	1	1
(Manual, Owners	42802300100	1	1	1	1	1	1	1	1	1	1	1	1
(Manual, Installation	42101320101	1	1	1	1	1	1	1	1	1	1	1	1

Replacement Parts - TCH018-060 Series

KEY NO.	DESCRIPTION	PART NUMBER										
			TCH018AKA1	TCH024AKA1	TCH030AKA1	TCH036AKA1	TCH042AKA1	TCH048AKA1	TCH060AKA1	TCH060AKA2	TCH060AKA3	
1	Compressor, ZR16KCPFV	ZR16KCPFV130	1									
1	ZR24KCPFV	ZR24KCPFV130	-	1								
1	ZR28KCPFV	ZR28KCPFV130	-	-	1							
1	ZR36KCPFV	ZR36KCPFV130	-	-	-	1						
1	ZR42KCPFV	ZR42KCPFV130	-	-	-	-	1					
1	ZR47KCPFV	ZR47KCPFV135	-	-	-	-	-	1				
1	ZR61KCPFV	**ZR61KCPFV133	-	-	-	-	-	-	1	1		1
2	Motor, Condenser Fan	1086399	1	1								
2		1086402	-	-	1	1	1					
2		1086404	-	-	-	-	-	1	1	1		1
3	Fan Blade	1086405	1	1								
3		1086511	-	-	1	1						
3		1086407	-	-	-	-	1					
3		1086515	-	-	-	-	-	1				
3		1086514	-	-	-	-	-	-	1	1		1
4	Contact, 25 Amp	1050699	1	1	1	1						
4	35 Amp	1050839	-	-	-	-	1	1				
4	40 Amp	1059574	-	-	-	-	-	-	1	1		1
5	Capacitor, 370 Volt. 5+30 Mfd	1086637	1									
5	370 Volt 5+35 Mfd	1086638	-	1								
5	440 Volt 5+35 Mfd	1086641	-	-	1							
5	440 Volt 5+40 Mfd	1086642	-	-	-	1	1					
5	370 Volt 7.5+50 Mfd	1086646	-	-	-	-	-	1				
5	370 Volt 7.5+60 Mfd	1086649	-	-	-	-	-	-	1			
5	370 Volt 7.5+80 Mfd	1086650	-	-	-	-	-	-	-	1		
5	370 Volt 7.5+70 Mfd	***1087951	-	-	-	-	-	-	-	-		1
6	Condenser Coil	1086628	1									
6		1086456	-	1								
6		1086458	-	-	1							
6		1086661	-	-	-	1						
6		1086662	-	-	-	-	1					
6		1086663	-	-	-	-	-	1				
6		1086664	-	-	-	-	-	-	1	1		1
7	Service Valve (Suction)	1086738	1	1								
7		1085991	-	-	1	1						
7		1085988	-	-	-	-	1	1	1	1		1
8	Service Valve (Liquid)	1085989	1	1	1	1	1	1	1	1		1
9	Plug, Compressor Harness	1081938	1	1								
9		1081939	-	-	1	1	1		1	1		1
9		1083020	-	-	-	-	-	1				
10	Grommet, Compressor	1052060	4	4	4	4	4	4	4	4		4
11	Restrictor, .048	1057994	1									
11	.056	1055490	-	1								
11	.063	1052933	-	-	1							
11	.070	1053644	-	-	-	1						
11	.073	1054027	-	-	-	-	1					
11	.082	1092222	-	-	-	-	-	1				
11	.093	1055493	-	-	-	-	-	-	1	1		1
12	Valve, Reversing	34329022	1	1								
12		34329020	-	-	1							
12		34329000	-	-	-	1						
12		513542	-	-	-	-	1					
12		34329002	-	-	-	-	-	1				
12		34329030	-	-	-	-	-	-	1	1		1
13	Coil, Reversing Valve	34329055	1	1	1	1	1	1	1	1		1
14	Harness, Reversing Valve Coil	1066711	1	1	1	1	1	1	1	1		1
15	Accumulator	1063781	1	1								
15		1092835	-	-	1	1						
15		1081064	-	-	-	-	1					
15		1081063	-	-	-	-	-	1				
15		1081065	-	-	-	-	-	-	1	1		1
16	Port Valve Asy	1080998	1	1	1	1	1	1	1	1		1
17	Switch, Low Pressure	1081019	1	1	1	1	1	1	1	1		1
18	Control, Flow .041	1080981	1									
18	.051	1080982	-	1								
18	.054	1080983	-	-	1							
18	.063	1080984	-	-	-	1						
18	.069	1080985	-	-	-	-	1					
18	.076	1080986	-	-	-	-	-	1				
18	.080	1080987	-	-	-	-	-	-	1	1		1
20	Distributor	1052830	1									
20		1053086	-	1	1	1						
20		1053087	-	-	-	-	1		1	1		1
20		1052793	-	-	-	-	-	1				
21	Control, Defrost	1086070	1	1	1	1	1	1	1	1		1
22	Sensor, Defrost Control	1086579	1	1	1	1	1	1	1	1		1
23	Muffler	1059730	1	1	1	1	1	1	1	1		1
24	Drier	1064507	1	1	1	1	1	1	1	1		1
25	Control, 2 Speed Fan	1086071	1	1	1	1	1	1	1	1		1

**ZR61KCPFV133 Replacement on all 5 ton

***1087950 Cap must be used with compressor change for A1 and A2 models



		PISTON CHART																																
		COIL MODELS (1)																																
Outdoor Units (2)		EPA/D/IM18	EPA/D/IM24	EPA/D/IM30	EPA/D/IM36	EPA/D/IM42	EPA/D/IM48	EPA/D/IM60	EPP024	EPP030	EPP036	EAH5524SA	EAH536SA	EAH548SA	EAH5560SA	EEA/D24	EEA/D30	EEA/D36	EEA/D48	EEA/D60	EMH24	EMH30	EMH36	EMH42	EMH48	FCP24	FCP30	FCP36	FCP42	FCP48	FCP60			
		(51)	(59)	(65)	(72)	(78)	(79)	(90)	(59)	(65)	(72)	(56)	(71)	(84)	(89)	(51)	(59)	(65)	(78)	(79)	(59)	(65)	(72)	(78)	(79)	(59)	(65)	(72)	(78)	(79)	(90)			
TCH018(48)		48	48									48									48					48								
TCH024(56)				56								56										56				56	56							
TCH030(63)					63								63										63				65	63						
TCH036(70)						70							71											70				72	70					
TCH042(73)							73							73										73					73	73				
TCH048(82)								82	82						84																		82	
TCH060(93)										93																								93

(1) - The number in parentheses with the coil model number is the size of the piston installed in the coil. The installer must change the pin to the size indicated in the chart if it is different from the factory installed pin.

(2) - The number in parentheses following the outdoor unit model number is the size of the piston shipped with the outdoor unit.

Note: If the required orifice is not shipped with the outdoor unit or coil it must be field supplied.

Style No:	TCH018	Outdoor Ambient Temperature - Degrees F. Dry Bulb																						
		75				85				95				105				115						
		Entering Indoor Temperature - Degrees F. Wet Bulb																						
Voltage		208/230		IDE	59	63	67	71	59	63	67	71	59	63	67	71	59	63	67	71	59	63	67	71
Phase	1																							
Ampacity	13.4																							
Wire Ga	14																							
Wire Ft	45																							
Delay Fuse	15																							
Max. Fuse	20																							
Compressor	COPELAND																							
RLA	9																							
LRA	42																							
Cap MFD/V	30 / 370																							
CC Heater	NONE																							
Start Kit	NONE																							
Fan Motor-HP	1/5																							
Type	PSC - 2 SPD																							
FLA	1.3																							
LRA	2.3																							
MAX RPM	1075																							
Cap MFD/V	3 / 370																							
PTCR	NONE																							
Hi Press	NONE																							
Low Press	NONE																							
Low Amb	NONE																							
Defrost	Demand																							
Sensor																								
Operating Chg (25 Ft Line)*	(R-22Oz) 85																							
Service Driers																								
Liquid/Chg	5Culn/5oz																							
Suction	17SqIn																							

Calculated averaged performance data, for service applications for all matches. Part No: 1086774
*Add or Subtract (Oz per Ft) for Lines: .25oz -1/4 Liq, .45oz- 5/16 Liq, .60oz - 3/8 Liq, 1.2 oz - 1/2 Liq

Style No:	TCH024	Outdoor Ambient Temperature - Degrees F. Dry Bulb																						
		75				85				95				105				115						
		Entering Indoor Temperature - Degrees F. Wet Bulb																						
Voltage		208/230		IDE	59	63	67	71	59	63	67	71	59	63	67	71	59	63	67	71	59	63	67	71
Phase	1																							
Ampacity	17																							
Wire Ga	14																							
Wire Ft	30																							
Delay Fuse	20																							
Max. Fuse	25																							
Compressor	COPELAND																							
RLA	11.9																							
LRA	59																							
Cap MFD/V	35 / 370																							
CC Heater	NONE																							
Start Kit	NONE																							
Fan Motor-HP	1/5																							
Type	PSC - 2 SPD																							
FLA	1.3																							
LRA	2.3																							
MAX RPM	1075																							
Cap MFD/V	3 / 370																							
PTCR	NONE																							
Hi Press	NONE																							
Low Press	NONE																							
Low Amb	NONE																							
Defrost	Demand																							
Sensor																								
Operating Chg (25 Ft Line)*	(R-22Oz) 104																							
Service Driers																								
Liquid/Chg	8Culn/7oz																							
Suction	30SqIn																							

Calculated averaged performance data, for service applications for all matches. Part No: 1086775
*Add or Subtract (Oz per Ft) for Lines: .25oz -1/4 Liq, .45oz- 5/16 Liq, .60oz - 3/8 Liq, 1.2 oz - 1/2 Liq

Style No:	TCH030	Outdoor Ambient Temperature - Degrees F. Dry Bulb																													
		75				85				95				105				115													
Voltage	208/230	Phase	1	Ampacity	19.5	Entering Indoor Temperature - Degrees F. Wet Bulb																									
						59				63				67				71				59				63				67	
Wire Ga	14	75	MBh	27.4	28.2	30.5	32.8	26.8	27.5	29.8	32.0	26.1	26.9	29.1	31.2	24.8	25.5	27.6	29.7	23.0	23.6	25.6	27.5								
Wire Ft	25		S/T	.88	.79	.60	.38	.90	.81	.61	.39	.93	.83	.63	.41	.97	.86	.65	.42	.98	.87	.66	.42								
Delay Fuse	25		AMPS	9.4	9.6	9.9	10.3	10.2	10.4	10.8	11.2	10.9	11.1	11.5	11.9	11.6	11.8	12.2	12.7	12.2	12.5	12.9	13.4								
Max. Fuse	30		HI PR	172	185	196	204	196	211	223	232	223	240	253	264	251	270	285	297	277	298	315	329								
Compressor	COPELAND		LO PR	62	66	72	76	64	68	74	79	67	72	78	83	71	75	82	87	73	78	85	90								
RLA	14.1		MBh	27.9	28.5	30.5	32.6	27.2	27.8	29.7	31.8	26.6	27.1	29.0	31.0	25.2	25.8	27.6	29.5	23.4	23.9	25.5	27.3								
LRA	73		S/T	.97	.91	.74	.55	.99	.93	.76	.56	1.00	.96	.78	.58	1.00	.99	.81	.61	1.00	1.00	.82	.61								
Cap MFD/V	35 / 440		AMPS	3.5	3.7	10.0	10.4	10.3	10.5	10.9	11.3	11.0	11.2	11.6	12.0	11.7	11.9	12.3	12.8	12.3	12.6	13.1	13.5								
CC Heater	NONE		HI PR	174	187	198	206	198	213	225	234	225	242	256	267	253	273	288	300	280	301	318	332								
Start Kit	NONE		LO PR	62	66	72	77	65	69	75	80	68	72	79	84	71	76	83	88	74	78	86	91								
Fan Motor-HP	1/3		MBh	28.4	28.9	30.3	32.3	27.7	28.2	29.6	31.6	27.0	27.6	28.9	30.8	25.7	26.2	27.4	29.2	23.8	24.2	25.4	27.1								
Type	PSC - 2 SPD		S/T	1.00	.98	.88	.72	1.00	1.00	.90	.73	1.00	1.00	.93	.76	1.00	1.00	.97	.79	1.00	1.00	.98	.79								
FLA	1.9		AMPS	9.6	9.8	10.1	10.5	10.4	10.6	11.0	11.4	11.1	11.3	11.7	12.1	11.8	12.1	12.4	12.9	12.5	12.8	13.2	13.7								
LRA	3.8		HI PR	176	189	200	208	200	215	227	237	228	245	259	270	256	275	291	303	283	304	321	335								
MAX RPM	1075		LO PR	63	67	73	78	65	70	76	81	69	73	80	85	72	77	84	89	74	79	86	92								
Cap MFD/V	5 / 370		Heating																												
PTCR	NONE		IDB	Outdoor Ambient Temperature - Degrees F. Dry Bulb																											
Hi Press	NONE			65	60	55	50	47	45	40	35	30	25	20	17	15	10	5	0	-5	-10										
Low Press	NONE		MBh	36.7	34.7	32.7	30.6	29.2	28.3	26.3	24.2	21.8	20.1	18.5	17.5	16.9	15.1	13.4	11.7	10.0	8.2										
Low Amb	NONE		T/R	34	32	30	28	27	26	24	22	20	19	17	16	16	14	12	11	9	8										
Defrost	Demand		KW	2.5	2.4	2.4	2.3	2.3	2.3	2.2	2.2	2.2	2.1	2.1	2.0	2.0	2.0	1.9	1.8	1.8	1.7										
Sensor			AMPS	13.6	12.6	11.8	11.1	10.7	10.5	9.9	9.4	9.0	8.6	8.2	8.0	7.9	7.5	7.0	6.6	6.1	5.6										
Operating Chg (25 Ft Line)*	(R-22Oz)		COP	4.3	4.2	4.0	3.8	3.7	3.6	3.5	3.3	2.9	2.8	2.6	2.5	2.5	2.3	2.1	1.9	1.6	1.4										
Service Driers			EER	14.7	14.3	13.7	13.1	12.7	12.4	11.8	11.2	10.0	9.5	9.0	8.6	8.4	7.7	7.1	6.3	5.6	4.7										
Liquid/Chg	8Culn/7oz		HI PR	254	244	235	224	219	215	207	198	190	181	174	170	167	161	154	148	143	138										
Suction	30Sqn		LO PR	73	68	63	58	55	53	49	43	39	35	31	29	28	23	20	17	15	12										
		Calculated averaged performance data, for service applications for all matches.																Part No:													
		*Add or Subtract (Oz per Ft) for Lines: .25oz -1/4 Liq., .45oz - 5/16 Liq., .60oz - 3/8 Liq., 1.2 oz - 1/2 Liq																1086776													

Style No:	TCH036	Outdoor Ambient Temperature - Degrees F. Dry Bulb																													
		75				85				95				105				115													
Voltage	208/230	Phase	1	Ampacity	21.9	Entering Indoor Temperature - Degrees F. Wet Bulb																									
						59				63				67				71				59				63				67	
Wire Ga	12	75	MBh	33.3	34.2	37.1	39.8	32.5	33.4	36.2	38.8	31.7	32.6	35.3	37.9	30.1	31.0	33.5	36.0	27.9	28.7	31.1	33.3								
Wire Ft	30		S/T	.81	.73	.55	.35	.83	.75	.56	.36	.86	.77	.58	.37	.89	.80	.60	.39	.90	.81	.61	.39								
Delay Fuse	30		AMPS	13.3	13.6	14.0	14.6	14.4	14.8	15.3	15.9	15.4	15.8	16.3	17.0	16.4	16.8	17.4	18.1	17.4	17.9	18.5	19.2								
Max. Fuse	35		HI PR	183	197	208	217	208	224	236	247	237	255	269	281	267	287	303	316	295	317	335	349								
Compressor	COPELAND		LO PR	61	65	71	75	63	67	74	78	66	71	77	82	70	74	81	86	72	77	84	89								
RLA	16		MBh	33.9	34.6	37.0	39.5	33.0	33.8	36.1	38.6	32.2	32.9	35.2	37.6	30.6	31.3	33.4	35.7	28.4	29.0	31.0	33.1								
LRA	100		S/T	.89	.84	.68	.51	.91	.86	.70	.52	.94	.88	.72	.54	.98	.92	.75	.56	.99	.93	.75	.56								
Cap MFD/V	40 / 440		AMPS	13.4	13.7	14.2	14.7	14.6	14.9	15.4	16.0	15.6	16.0	16.5	17.1	16.6	17.0	17.6	18.3	17.6	18.0	18.6	19.4								
CC Heater	NONE		HI PR	185	199	210	219	210	226	239	249	239	258	272	284	269	290	306	319	298	320	338	353								
Start Kit	NONE		LO PR	62	65	71	76	64	68	74	79	67	71	78	83	70	75	82	87	73	77	85	90								
Fan Motor-HP	1/3		MBh	34.4	35.1	36.8	39.2	33.6	34.3	35.9	38.3	32.8	33.4	35.0	37.4	31.2	31.8	33.3	35.5	28.9	29.4	30.8	32.9								
Type	PSC - 2 SPD		S/T	.93	.90	.81	.66	.96	.92	.83	.68	.99	.95	.86	.70	1.00	.99	.89	.73	1.00	1.00	.90	.73								
FLA	1.9		AMPS	13.5	13.8	14.3	14.8	14.7	15.1	15.6	16.2	15.7	16.1	16.7	17.3	16.7	17.2	17.7	18.4	17.8	18.2	18.8	19.5								
LRA	3.8		HI PR	187	201	212	221	212	228	241	252	242	260	275	287	272	293	309	322	300	323	341	356								
MAX RPM	1075		LO PR	62	66	72	77	65	69	75	80	68	72	79	84	71	76	83	88	74	78	85	91								
Cap MFD/V	5 / 370		Heating																												
PTCR	NONE		IDB	Outdoor Ambient Temperature - Degrees F. Dry Bulb																											
Hi Press	NONE			65	60	55	50	47	45	40	35	30	25	20	17	15	10	5	0	-5	-10										
Low Press	NONE		MBh	45.3	42.8	40.4	37.7	36.0	34.9	32.4	29.9	27.2	25.1	23.1	21.8	21.0	18.8	16.7	14.6	12.4	10.2										
Low Amb	NONE		T/R	35	33	31	29	28	27	25	23	21	19	18	17	16	15	13	11	10	8										
Defrost	Demand		KW	3.0	2.9	2.9	2.8	2.8	2.7	2.7	2.6	2.7	2.6	2.5	2.5	2.5	2.4	2.3	2.2	2.2	2.1										
Sensor			AMPS	18.1	16.8	15.7	14.7	14.2	13.9	13.1	12.4	11.9	11.4	10.8	10.6	10.4	9.9	9.2	8.7	8.0	7.2										
Operating Chg (25 Ft Line)*	(R-22Oz)		COP	4.4	4.3	4.1	3.9	3.8	3.7	3.6	3.4	3.0	2.8	2.7	2.6	2.5	2.3	2.1	1.9	1.7	1.4										
Service Driers			EER	15.1	14.6	14.1	13.5	13.0	12.8	12.1	11.5	10.2	9.7	9.2	8.8	8.6	7.9	7.2	6.5	5.7	4.8										
Liquid/Chg	16Culn/11oz		HI PR	237	227	218	209	204	200	192	185	177	169	162	158	155	150	144	138	133	128										
Suction	30Sqn		LO PR	68	63	59	54	51	49	45	40	36	32	28	26	26	22	19	16	14	11										
		Calculated averaged performance data, for service applications for all matches.																Part No:													
		*Add or Subtract (Oz per Ft) for Lines: .25oz -1/4 Liq., .45oz - 5/16 Liq., .60oz - 3/8 Liq., 1.2 oz - 1/2 Liq																1086777													

Style No:	TCH042	Outdoor Ambient Temperature - Degrees F. Dry Bulb																				
		75				85				95				105				115				
		Entering Indoor Temperature - Degrees F. Wet Bulb																				
Voltage	208/230	IDE	59	63	67	71	59	63	67	71	59	63	67	71	59	63	67	71	59	63	67	71
Phase	1																					
Ampacity	25.1																					
Wire Ga	10																					
Wire Ft	40																					
Delay Fuse	30																					
Max. Fuse	40																					
Compressor	COPELAND																					
RLA	18.6																					
LRA	127																					
Cap MFD/V	40 / 440																					
CC Heater	NONE																					
Start Kit	NONE																					
Fan Motor-HP	1/3																					
Type	PSC - 2 SPD																					
FLA	1.9																					
LRA	3.8																					
MAX RPM	1075																					
Cap MFD/V	5 / 370																					
PTCR	NONE																					
Hi Press	NONE																					
Low Press	NONE																					
Low Amb	NONE																					
Defrost	Demand																					
Sensor																						
Operating Chg (25 Ft Line)*	(R-22Oz) 166																					
Service Driers																						
Liquid/Chg	16Culn/11oz																					
Suction	30Sqn																					
		Calculated averaged performance data, for service applications for all matches.																Part No:				
		*Add or Subtract (Oz per Ft) for Lines: .25oz -1/4 Liq, .45oz- 5/16 Liq, .60oz - 3/8 Liq, 1.2 oz - 1/2 Liq																1086778				

Style No:	TCH048	Outdoor Ambient Temperature - Degrees F. Dry Bulb																				
		75				85				95				105				115				
		Entering Indoor Temperature - Degrees F. Wet Bulb																				
Voltage	208/230	IDE	59	63	67	71	59	63	67	71	59	63	67	71	59	63	67	71	59	63	67	71
Phase	1																					
Ampacity	28.7																					
Wire Ga	10																					
Wire Ft	40																					
Delay Fuse	35																					
Max. Fuse	50																					
Compressor	COPELAND																					
RLA	21.8																					
LRA	131																					
Cap MFD/V	50 / 370																					
CC Heater	NONE																					
Start Kit	NONE																					
Fan Motor-HP	1/4																					
Type	PSC - 2 SPD																					
FLA	1.5																					
LRA	2.9																					
MAX RPM	840																					
Cap MFD/V	7.5 / 370																					
PTCR	NONE																					
Hi Press	NONE																					
Low Press	NONE																					
Low Amb	NONE																					
Defrost	Demand																					
Sensor																						
Operating Chg (25 Ft Line)*	(R-22Oz) 181																					
Service Driers																						
Liquid/Chg	30Culn/17oz																					
Suction	30Sqn																					
		Calculated averaged performance data, for service applications for all matches.																Part No:				
		*Add or Subtract (Oz per Ft) for Lines: .25oz -1/4 Liq, .45oz- 5/16 Liq, .60oz - 3/8 Liq, 1.2 oz - 1/2 Liq																1086779				

Style No:	TCH060	Outdoor Ambient Temperature - Degrees F. Dry Bulb																					
Voltage	208/230	75				85				95				105				115					
Phase	1	Entering Indoor Temperature - Degrees F. Wet Bulb																					
Ampacity	35.3	IDB	59	63	67	71	59	63	67	71	59	63	67	71	59	63	67	71	59	63	67	71	
Wire Ga	8	75	MBh	53.9	55.5	60.0	64.4	52.6	54.1	58.6	62.9	51.3	52.8	57.2	61.4	48.7	50.2	54.3	58.3	45.1	46.5	50.3	54.0
Delay Fuse	45		S/T	.84	.75	.57	.36	.86	.77	.58	.37	.88	.79	.60	.38	.92	.82	.62	.40	.93	.83	.63	.40
Max. Fuse	60		AMPS	22.4	22.9	23.7	24.6	24.4	25.0	25.9	26.9	26.1	26.8	27.7	28.8	27.9	28.6	29.6	30.8	29.6	30.4	31.4	32.7
Compressor	COPELAND		LO PR	182	196	207	216	207	223	236	246	236	254	268	280	266	286	302	315	293	316	333	348
RLA	27.1	80	MBh	54.8	56.0	59.9	64.0	53.5	54.7	58.4	62.5	52.2	53.4	57.0	60.9	49.6	50.7	54.2	57.9	45.9	46.9	50.2	53.6
LRA	144		S/T	.92	.86	.70	.52	.94	.88	.72	.54	.97	.91	.74	.55	1.00	.94	.77	.57	1.00	.95	.77	.58
Cap MFD/V	** / 370		AMPS	22.6	23.2	24.0	24.9	24.6	25.3	26.1	27.1	26.4	27.1	28.0	29.1	28.2	28.9	29.9	31.1	29.9	30.7	31.7	33.0
CC Heater	NONE		LO PR	57	60	66	70	59	63	69	73	62	66	72	77	65	69	75	80	67	71	78	83
Start Kit	NONE	85	MBh	55.8	56.9	59.6	63.5	54.5	55.5	58.1	62.0	53.1	54.2	56.7	60.5	50.5	51.4	53.9	57.5	46.7	47.7	49.9	53.2
Fan Motor-HP	1/4		S/T	.96	.93	.84	.68	.98	.95	.86	.70	1.00	.98	.89	.72	1.00	1.00	.92	.75	1.00	1.00	.93	.75
Type	PSC - 2 SPD		AMPS	22.8	23.4	24.2	25.1	24.9	25.5	26.4	27.4	26.6	27.3	28.3	29.4	28.4	29.1	30.2	31.4	30.2	31.0	32.0	33.3
FLA	1.5		LO PR	57	61	67	71	60	63	69	74	63	67	73	77	66	70	76	81	68	72	79	84
LRA	2.9	Heating																					
MAX RPM	840	IDB	65	60	55	50	47	45	40	35	30	25	20	17	15	10	5	0	-5	-10			
Cap MFD/V	7.5 / 370	70	MBh	75.4	71.4	67.3	62.8	60.0	58.1	54.0	49.8	46.1	42.6	39.2	37.0	35.6	32.0	28.3	24.7	21.1	17.3		
PTCR	NONE		T/R	39	37	35	32	31	30	28	26	24	22	20	19	18	16	15	13	11	9		
Hi Press	NONE		KW	5.2	5.1	5.0	4.8	4.8	4.7	4.6	4.5	4.3	4.2	4.1	4.1	4.0	3.9	3.8	3.7	3.5	3.4		
Low Press	NONE		AMPS	32.6	30.1	28.1	26.4	25.4	24.9	23.4	22.2	21.2	20.2	19.2	18.7	18.4	17.4	16.2	15.2	13.9	12.4		
Low Amb	NONE	COP	4.2	4.1	4.0	3.8	3.7	3.6	3.4	3.2	3.1	2.9	2.8	2.7	2.6	2.4	2.2	2.0	1.7	1.5			
Defrost	Demand	EER	14.5	14.0	13.5	13.0	12.6	12.3	11.7	11.1	10.6	10.1	9.5	9.1	8.9	8.2	7.5	6.8	6.0	5.0			
Sensor			LO PR	68	63	59	54	51	49	45	40	36	32	28	26	26	22	19	16	14	11		
Operating Chg (25 Ft Line)*	(R-22Oz) 210	Calculated averaged performance data, for service applications for all matches. Part No: 1088001																					
Service Driers		*Add or Subtract (Oz per Ft) for Lines: .25oz -1/4 Liq, .45oz- 5/16 Liq, .60oz - 3/8 Liq, 1.2 oz - 1/2 Liq																					
Liquid/Chg Suction	30Culn/17oz 30Sqln	**60 for A1, 80 for A2, 70 for A3 and for A1 and A2 with compressor change																					

