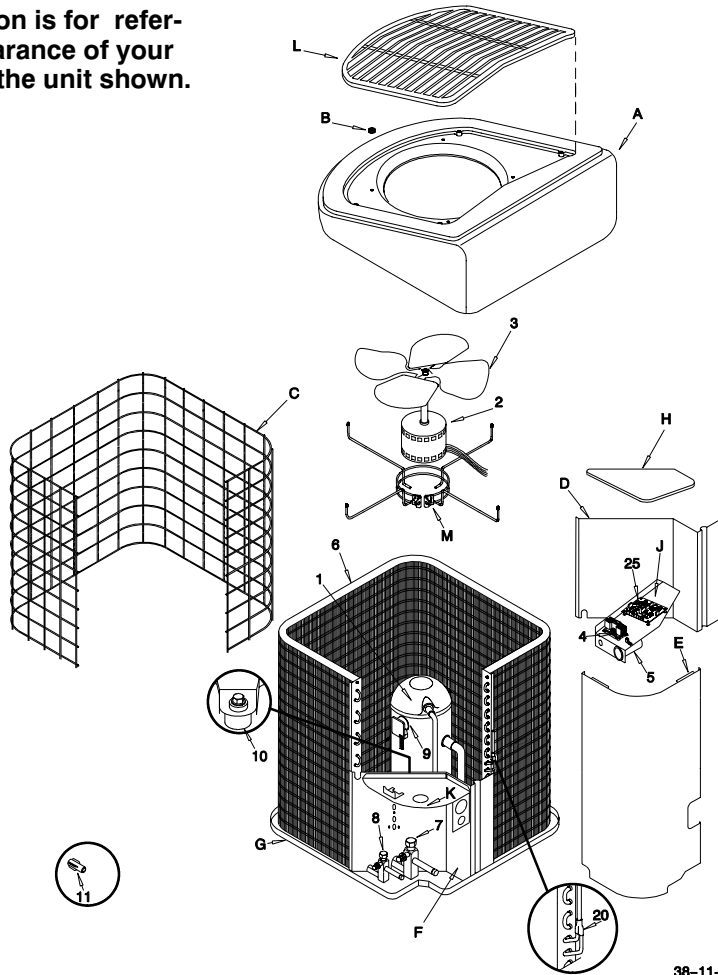


Replacement Parts, W/D & Tech Data TCA218-260 Series

NOTE: This illustration is for reference only. The appearance of your unit may differ from the unit shown.



38-11-19a

KEY NO.	DESCRIPTION	PART NUMBER								
			TCA218AKA1	TCA224AKA1	TCA230AKA1	TCA236AKA1	TCA242AKA1	TCA248AKA1	TCA260AKA1	
A	Panel, Top	1085985	1	1	1					
A		1086063	-	-	-	1	1			
A		1086064	-	-	-	-	-	1	1	
B	Nut, Lock	1086220	4	4	4	4	4	4	4	
C	Grille, Inlet	1086036	1	1	1					
C		1086226	-	-	-	1				
C		1086237	-	-	-	-	1			
C		1086240	-	-	-	-	-	1		
C		1086241	-	-	-	-	-	-	1	
D	Box, Control	1086046	1	1	1	1	1	1	1	
E	Cover, Control Box	1086037	1	1	1					
E		1086216	-	-	-	1				
E		1086358	-	-	-	-	1		1	
E		1086214	-	-	-	-	-	1		
F	Panel, Corner	1086043	1	1	1					
F		1086346	-	-	-	1				
F		1086348	-	-	-	-	1			
F		1086347	-	-	-	-	-	1		
F		1086348	-	-	-	-	-	-	1	
G	Panel, Base	1085982	1	1	1					
G		1086041	-	-	-	1	1			
G		1086060	-	-	-	-	-	1	1	
H	Top, Control Box	1086045	1	1	1	1	1	1	1	
J	Shelf, Control Box	1086363	1	1	1					
J		1086044	-	-	-	1	1	1	1	
K	Bottom, Control Box	1086039	1	1	1	1	1	1	1	
L	Grille, Top Discharge	1085993	1	1	1					
L		1086065	-	-	-	1	1			
L		1086074	-	-	-	-	-	1	1	
M	Mount, Motor	1087015	1	1	1					
M		1086068	-	-	-	1	1			
M		1086072	-	-	-	-	-	1	1	
)	Manual, Parts List	42123330101	1	1	1	1	1	1	1	
)	Manual, Owners	42102300100	1	1	1	1	1	1	1	
)	Manust, Installation	42101320100	1	1	1	1	1	1	1	

Replacement Parts - TCA218-260 Series

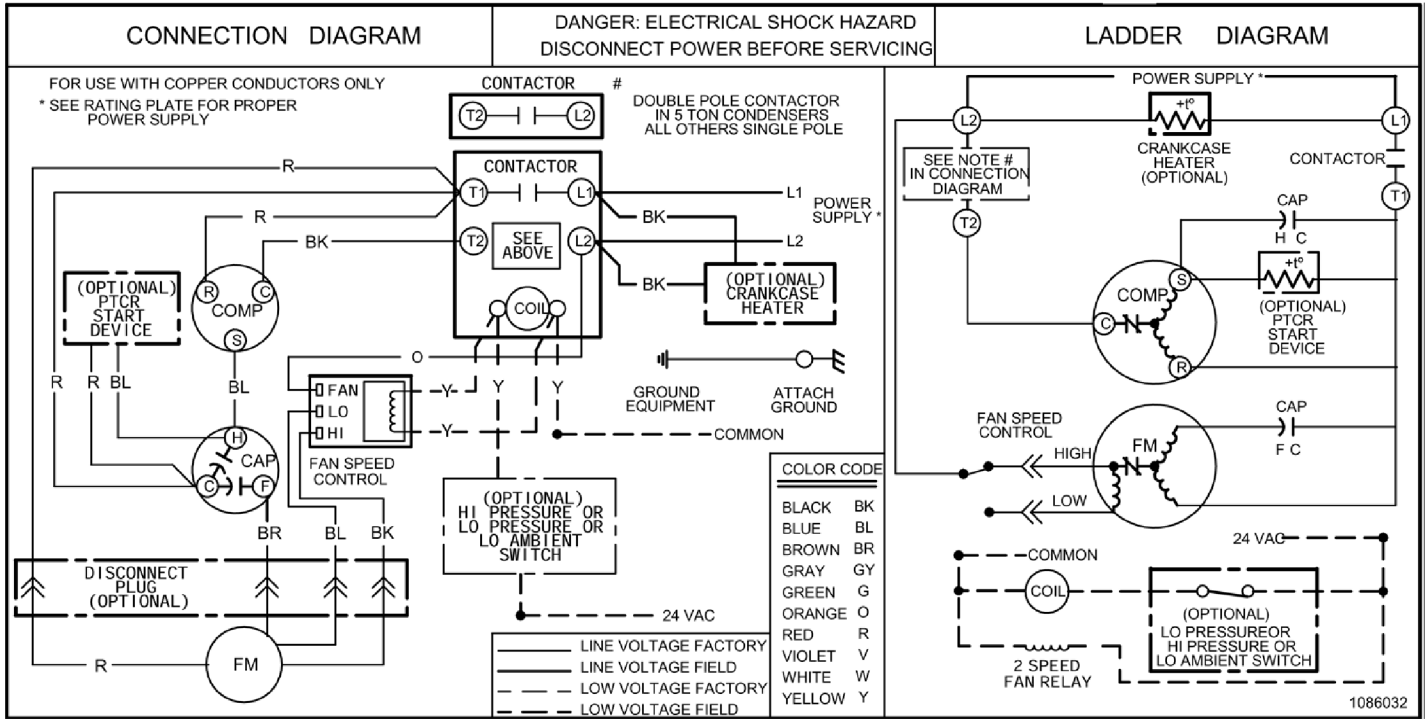
KEY NO.	DESCRIPTION	PART NUMBER	TCA218AKA1	TCA224AKA1	TCA230AKA1	TCA236AKA1	TCA242AKA1	TCA248AKA1	TCA260AKA1
1	Compressor, ZR16K4PFV ZR22K4PFV ZR28K3PFV ZR34K3PFV ZR40K3PFV ZR47K3PFV ZR57K3PFV	1085764	1	-	-	-	-	-	-
1		1085765	-	1	-	-	-	-	-
1		1082756	-	-	1	-	-	-	-
1		1081881	-	-	-	1	-	-	-
1		1083000	-	-	-	-	1	-	-
1		1085274	-	-	-	-	-	1	-
1		1083019	-	-	-	-	-	-	1
2	Motor, Condenser Fan	1086398	1	1	-	-	-	-	-
2		1086399	-	-	1	-	-	-	-
2		1086402	-	-	-	1	1	-	-
2		1086404	-	-	-	-	-	1	1
3	Fan Blade	1086405	1	1	-	-	-	-	-
3		1086406	-	-	1	-	-	-	-
3		1086407	-	-	-	1	1	-	-
3		1086515	-	-	-	-	-	1	1
4	Contactor, 25 Amp 35 Amp 40 Amp	1050699	1	1	1	1	1	-	-
4		1050839	-	-	-	-	-	1	-
4		1053980	-	-	-	-	-	-	1
5	Capacitor, 370 Volt. 3+30 Mfd 370 Volt 3+35 Mfd 370 Volt 5+45 Mfd 370 Volt 5+50 Mfd 370 Volt 5+55 Mfd 440 Volt 7.5+60 Mfd 370 Volt 7.5+80 Mfd	1086677	1	-	-	-	-	-	-
5		1086678	-	1	-	-	-	-	-
5		1086640	-	-	1	-	-	-	-
5		1086644	-	-	-	1	-	-	-
5		1086647	-	-	-	-	1	-	-
5		1086683	-	-	-	-	-	1	-
5	1086650	-	-	-	-	-	-	1	
6	Condenser Coil	1086134	1	-	-	-	-	-	-
6		1086178	-	1	1	-	-	-	-
6		1086200	-	-	-	1	-	-	-
6		1086635	-	-	-	-	1	-	-
6		1086665	-	-	-	-	-	1	-
6		1086666	-	-	-	-	-	-	1
7	Service Valve (Suction)	1085991	1	1	1	1	-	-	-
7		1086739	-	-	-	-	1	-	-
7		1085988	-	-	-	-	-	1	1
8	Service Valve (Liquid)	1085989	1	1	1	1	1	1	1
9	Plug, Compressor Harness	1081938	1	1	-	-	-	-	-
9		1081939	-	-	1	-	-	-	-
9		1081940	-	-	-	1	1	1	1
10	Grommet, Compressor	1052060	4	4	4	4	4	4	4
11	Restrictor, .051 .059 .066 .070 .079 .082 .090	1053110	1	-	-	-	-	-	-
11		1055236	-	1	-	-	-	-	-
11		1062387	-	-	1	-	-	-	-
11		1053644	-	-	-	1	-	-	-
11		1053661	-	-	-	-	1	-	-
11		1092222	-	-	-	-	-	1	-
11		1053663	-	-	-	-	-	-	1
20	Distributor	24305802	-	1	1	-	-	-	-
20		24311501	-	-	-	1	1	1	1
25	Control, Fan	1086071	1	1	1	1	1	1	1

		PISTON CHART																															
		COIL MODELS (1)																															
Outdoor Units (2)		EPA/D/M18	EPA/D/M24	EPA/D/M30	EPA/D/M36	EPA/D/M42	EPA/D/M48	EPA/D/M60	EPP024	EPP030	EPP036	EAH5524SA	EAH5536SA	EAH5548SA	EAH5560SA	EEA/D24	EEA/D30	EEA/D36	EEA/D42	EEA/D48	EEA/D60	EMH24	EMH30	EMH36	EMH42	EMH48	FCP24	FCP30	FCP36	FCP42	FCP48	FCP60	
		(51)	(57)	(65)	(73)	(78)	(79)	(92)	(57)	(65)	(73)	(57)	(73)	(79)	(79)	(92)	(55)	(63)	(67)	(78)	(79)	(90)	(57)	(65)	(73)	(78)	(79)	(57)	(65)	(73)	(78)	(79)	(92)
TCA218 (51)	51	51	51									51										51	51										
TCA224 (59)		59	59	59																		59	59	59									
TCA230 (66)			65	66	66								66										65	66									
TCA236 (70)				70	70	70							70											70	70	70							
TCA242 (79)					78	79								79												78							
TCA248 (82)						82	82																			82							
TCA260 (90)							90																										

(1) - The number in parentheses with the coil model number is the size of the piston installed in the coil. The installer must change the pin to the size indicated in the chart if it is different from the factory installed pin.

(2) - The number in parentheses following the outdoor unit model number is the size of the piston shipped with the outdoor unit.

Note: If the required orifice is not shipped with the outdoor unit or coil it must be field supplied.



18,000 Btuh Units

Style No:	TCA218	Outdoor Ambient Temperature - Degrees F. Dry Bulb																			
		75				85				95				105				115			
		Entering Indoor Temperature - Degrees F. Wet Bulb																			
Voltage	208/230																				
Phase	1																				
Ampacity	11.9																				
Wire Ga	14																				
Wire Length/Ft	50																				
Delay Fuse	15																				
Max. Fuse	20																				
Compressor	COPELAND																				
RLA	9																				
LRA	41																				
Cap MFDV	30/370																				
CC Heater	NONE																				
Start Kit	NONE																				
Fan Motor-HP	1/8																				
Type	PSC / 2 SPD																				
FLA	0.66																				
LRA	1.55																				
MAX RPM	1075																				
Cap MFDV	3/370																				
PTCR	NONE																				
Hi Press	NONE																				
Low Press	NONE																				
Time Delay	NONE																				
Operating Chg (25 Ft Lines)*	71	Calculated averaged performance data, for service applications for all matches. For applications where rated performance data is required refer to the Expanded Ratings or Specification Sheet.																			
Service Driers																					
Liquid/Chg Suction	6 Culin/5oz 30SqIn																				
		*Add or Subtract (Oz per Ft) for Lines: .25oz -1/4 Liq, .45oz- 5/16 Liq, .60oz- 3/8 Liq, 1.2 oz - 1/2 Liq																			

Part No: 1086788

24,000 Btuh Units

Style No:	TCA224	Outdoor Ambient Temperature - Degrees F. Dry Bulb																				
		75				85				95				105				115				
		Entering Indoor Temperature - Degrees F. Wet Bulb																				
		IDB	59	63	67	71	59	63	67	71	59	63	67	71	59	63	67	71	59	63	67	71
Voltage	208/230																					
Phase	1																					
Ampacity	14.3																					
Wire Ga	14																					
Wire Length/Ft	35																					
Delay Fuse	20																					
Max. Fuse	25																					
Compressor	COPELAND																					
RLA	10.9																					
LRA	54																					
Cap MFDV	35/370																					
CC Heater	NONE																					
Start Kit	NONE																					
Fan Motor-HP	1/8																					
Type	PSC/2 SPD																					
FLA	0.66																					
LRA	1.55																					
MAX RPM	1075																					
Cap MFDV	3/370																					
PTCR	NONE																					
Hi Press	NONE																					
Low Press	NONE																					
Time Delay	NONE																					
Operating Chg (25 Ft Lines)*	(R-22Oz) 79	Calculated averaged performance data, for service applications for all matches. For applications where rated performance data is required refer to the Expanded Ratings or Specification Sheet.																				
Service Driers		Part No:																				
Liquid/Chg	8 Culin/7oz	1086789																				
Suction	30Sqln	*Add or Subtract (Oz per Ft) for Lines: .25oz-1/4 Liq, .45oz- 5/16 Liq, .60oz- 3/8 Liq, 1.2 oz- 1/2 Liq																				

30,000 Btuh Units

Style No:	TCA230	Outdoor Ambient Temperature - Degrees F. Dry Bulb																				
		75				85				95				105				115				
		Entering Indoor Temperature - Degrees F. Wet Bulb																				
		IDB	59	63	67	71	59	63	67	71	59	63	67	71	59	63	67	71	59	63	67	71
Voltage	208/230																					
Phase	1																					
Ampacity	18.1																					
Wire Ga	14																					
Wire Length/Ft	25																					
Delay Fuse	25																					
Max. Fuse	30																					
Compressor	COPELAND																					
RLA	13.5																					
LRA	72.5																					
Cap MFDV	45/370																					
CC Heater	NONE																					
Start Kit	NONE																					
Fan Motor-HP	1/5																					
Type	PSC/2 SPD																					
FLA	1.3																					
LRA	2.33																					
MAX RPM	1075																					
Cap MFDV	3/370																					
PTCR	NONE																					
Hi Press	NONE																					
Low Press	NONE																					
Time Delay	NONE																					
Operating Chg (25 Ft Lines)*	(R-22Oz) 80	Calculated averaged performance data, for service applications for all matches. For applications where rated performance data is required refer to the Expanded Ratings or Specification Sheet.																				
Service Driers		Part No:																				
Liquid/Chg	8 Culin/7oz	1086790																				
Suction	30Sqln	*Add or Subtract (Oz per Ft) for Lines: .25oz-1/4 Liq, .45oz- 5/16 Liq, .60oz- 3/8 Liq, 1.2 oz- 1/2 Liq																				

36,000 Btuh Units

Style No:	TCA236		Outdoor Ambient Temperature - Degrees F. Dry Bulb																				
	Voltage	208/230	75				85				95				105				115				
			Entering Indoor Temperature - Degrees F. Wet Bulb																				
Phase	1	IDB	59	63	67	71	59	63	67	71	59	63	67	71	59	63	67	71	59	63	67	71	
Ampacity	21.9																						
Wire Ga	12		MEh	32.7	33.9	37.1	-	31.9	33.1	36.3	-	31.2	32.3	35.4	-	29.6	30.7	33.6	-	27.4	28.4	31.1	-
Wire Length/Ft	35		ST	0.72	0.61	0.42	-	0.74	0.62	0.43	-	0.77	0.64	0.44	-	0.80	0.66	0.46	-	0.80	0.67	0.46	-
Delay Fuse	30	70	AMPS	10.7	10.9	11.3	-	11.6	11.8	12.2	-	12.3	12.6	13.1	-	13.1	13.4	13.9	-	13.9	14.2	14.7	-
Max. Fuse	35		HI PR	168	181	191	-	192	206	218	-	218	235	248	-	245	264	279	-	271	292	308	-
Compressor	COPELAND		LO PR	60	63	69	-	62	66	72	-	65	69	75	-	68	72	79	-	70	75	82	-
RLA	16		MEh	33.3	34.2	37.1	39.8	32.5	33.4	36.2	38.8	31.7	32.6	35.3	37.9	30.1	31.0	33.5	36.0	27.9	28.7	31.1	33.3
LRA	88		ST	0.82	0.74	0.56	0.36	0.84	0.76	0.57	0.37	0.87	0.78	0.59	0.38	0.90	0.81	0.61	0.39	0.91	0.82	0.62	0.40
Cap MFD/V	50/370	75	AMPS	10.8	11.0	11.4	11.8	11.7	12.0	12.3	12.8	12.5	12.8	13.2	13.7	13.2	13.6	14.0	14.5	14.0	14.4	14.8	15.4
CC Heater	NONE		HI PR	170	183	193	202	194	208	220	229	220	237	250	261	248	267	282	294	274	295	311	325
Start Kit	NONE		LO PR	60	64	70	74	62	66	73	77	66	70	76	81	69	73	80	85	71	76	83	88
Fan Motor-HP	1/3		MEh	33.9	34.6	37.0	39.5	33.0	33.8	36.1	38.6	32.2	32.9	35.2	37.6	30.6	31.3	33.4	35.7	28.4	29.0	31.0	33.1
Type	PSC/2 SPD	80	ST	0.90	0.85	0.69	0.52	0.93	0.87	0.71	0.53	0.96	0.90	0.73	0.55	0.99	0.93	0.76	0.57	1.00	0.94	0.76	0.57
FLA	1.9		AMPS	10.9	11.1	11.5	11.9	11.8	12.1	12.5	12.9	12.6	12.9	13.3	13.8	13.4	13.7	14.1	14.7	14.2	14.5	15.0	15.5
LRA	3.7		HI PR	172	185	195	204	195	210	222	232	223	240	253	264	250	270	285	297	277	298	314	328
MAX RPM	1075		LO PR	61	65	71	75	63	67	73	78	66	71	77	82	69	74	81	86	72	76	83	89
Cap MFD/V	5/370		MEh	34.4	35.1	36.8	39.2	33.6	34.3	35.9	38.3	32.8	33.4	35.0	37.4	31.2	31.8	33.3	35.5	28.9	29.4	30.8	32.9
PTCR	NONE		ST	0.95	0.91	0.82	0.67	0.97	0.94	0.85	0.69	1.00	0.97	0.87	0.71	1.00	1.00	0.91	0.74	1.00	1.00	0.91	0.74
Hi Press	NONE	85	AMPS	11.0	11.2	11.6	12.0	11.9	12.2	12.6	13.0	12.7	13.0	13.4	13.9	13.5	13.8	14.3	14.8	14.3	14.6	15.1	15.7
Low Press	NONE		HI PR	174	187	197	206	197	212	224	234	225	242	256	267	253	272	287	300	280	301	318	331
Time Delay	NONE		LO PR	61	65	71	76	64	68	74	79	67	71	78	83	70	75	82	87	73	77	84	90
Operating Chg (25 Ft Lines)*	(R-22Oz) 113	Calculated averaged performance data, for service applications for all matches. For applications where rated performance data is required refer to the Expanded Ratings or Specification Sheet.																					
Service Driers																				Part No:			
Liquid/Chg Suction	16 CuIn/11oz 30SqIn																			1086791			
*Add or Subtract (Oz per Ft) for Lines: .25oz -1/4 Liq, .45oz- 5/16 Liq, .60oz- 3/8 Liq, 1.2 oz - 1/2 Liq																							

42,000 Btuh Units

Style No:	TCA242		Outdoor Ambient Temperature - Degrees F. Dry Bulb																				
	Voltage	208/230	75				85				95				105				115				
			Entering Indoor Temperature - Degrees F. Wet Bulb																				
Phase	1	IDB	59	63	67	71	59	63	67	71	59	63	67	71	59	63	67	71	59	63	67	71	
Ampacity	24.3																						
Wire Ga	12		MEh	38.6	40.0	43.8	-	37.6	39.0	42.8	-	36.7	38.1	41.7	-	34.9	36.2	39.6	-	32.3	33.5	36.7	-
Wire Length/Ft	30		ST	0.73	0.61	0.43	-	0.75	0.63	0.44	-	0.78	0.65	0.45	-	0.81	0.67	0.47	-	0.81	0.68	0.47	-
Delay Fuse	30	70	AMPS	12.4	12.7	13.1	-	13.4	13.7	14.2	-	14.3	14.6	15.1	-	15.2	15.6	16.1	-	16.1	16.5	17.0	-
Max. Fuse	40		HI PR	162	174	184	-	184	198	209	-	210	226	238	-	236	254	268	-	260	280	296	-
Compressor	COPELAND		LO PR	60	64	70	-	63	67	73	-	66	70	76	-	69	73	80	-	71	76	83	-
RLA	17.9		MEh	39.2	40.4	43.7	46.9	38.3	39.4	42.7	45.8	37.4	38.5	41.6	44.7	35.5	36.5	39.5	42.4	32.9	33.8	36.6	39.3
LRA	104		ST	0.84	0.75	0.57	0.36	0.86	0.77	0.58	0.37	0.88	0.79	0.60	0.38	0.92	0.82	0.62	0.40	0.93	0.83	0.63	0.40
Cap MFD/V	55/370	75	AMPS	12.5	12.8	13.2	13.7	13.5	13.8	14.3	14.8	14.4	14.8	15.3	15.8	15.3	15.7	16.2	16.8	16.2	16.6	17.2	17.8
CC Heater	NONE		HI PR	163	176	186	194	186	200	211	220	212	228	241	251	238	256	271	282	263	283	299	312
Start Kit	NONE		LO PR	61	65	71	75	63	67	74	78	66	71	77	82	70	74	81	86	72	77	84	89
Fan Motor-HP	1/3		MEh	39.9	40.8	43.6	46.6	39.0	39.8	42.5	45.5	38.0	38.8	41.5	44.4	36.1	36.9	39.4	42.1	33.5	34.2	36.5	39.0
Type	PSC/2 SPD	80	ST	0.92	0.86	0.70	0.52	0.94	0.88	0.72	0.54	0.97	0.91	0.74	0.55	1.00	0.94	0.77	0.57	1.00	0.95	0.77	0.58
FLA	1.9		AMPS	12.6	12.9	13.3	13.8	13.7	14.0	14.4	15.0	14.6	14.9	15.4	16.0	15.5	15.9	16.4	17.0	16.4	16.8	17.3	18.0
LRA	3.7		HI PR	165	178	188	196	188	202	213	223	214	230	243	253	241	259	273	285	266	286	302	315
MAX RPM	1075		LO PR	62	65	71	76	64	68	74	79	67	71	78	83	70	75	82	87	73	77	85	90
Cap MFD/V	5/370		MEh	40.6	41.4	43.4	46.3	39.6	40.4	42.3	45.2	38.7	39.4	41.3	44.1	36.7	37.5	39.2	41.9	34.0	34.7	36.3	38.8
PTCR	NONE		ST	0.96	0.93	0.84	0.68	0.98	0.95	0.86	0.70	1.00	0.98	0.89	0.72	1.00	1.00	0.92	0.75	1.00	1.00	0.93	0.75
Hi Press	NONE	85	AMPS	12.7	13.0	13.4	13.9	13.8	14.1	14.6	15.1	14.7	15.0	15.5	16.1	15.6	16.0	16.5	17.1	16.5	16.9	17.5	18.1
Low Press	NONE		HI PR	167	179	189	198	190	204	215	225	216	232	245	256	243	261	276	288	268	289	305	318
Time Delay	NONE		LO PR	62	66	72	77	65	69	75	80	68	72	79	84	71	76	83	88	74	78	85	91
Operating Chg (25 Ft Lines)*	(R-22Oz) 125	Calculated averaged performance data, for service applications for all matches. For applications where rated performance data is required refer to the Expanded Ratings or Specification Sheet.																					
Service Driers																				Part No:			
Liquid/Chg Suction	16 CuIn/11oz 30SqIn																			1086792			
*Add or Subtract (Oz per Ft) for Lines: .25oz -1/4 Liq, .45oz- 5/16 Liq, .60oz- 3/8 Liq, 1.2 oz - 1/2 Liq																							

48,000 Btuh Units

Style No:	TCA248	Outdoor Ambient Temperature - Degrees F. Dry Bulb																			
		75				85				95				105				115			
		Entering Indoor Temperature - Degrees F. Wet Bulb																			
	IDB	59	63	67	71	59	63	67	71	59	63	67	71	59	63	67	71	59	63	67	71
Voltage	208/230																				
Phase	1																				
Ampacity	25.5																				
Wire Ga	10																				
Wire Length/Ft	35																				
Delay Fuse	35																				
Max. Fuse	40																				
Compressor	COPELAND																				
RLA	19.2																				
LRA	137																				
Cap MFD/V	60 / 440																				
CC Heater	NONE																				
Start Kit	NONE																				
Fan Motor-HP	1/4																				
Type	PSC / 2 SPD																				
FLA	1.5																				
LRA	2.9																				
MAX RPM	840																				
Cap MFD/V	7.5 / 370																				
PTCR	NONE																				
Hi Press	NONE																				
Low Press	NONE																				
Time Delay	NONE																				
Operating Chg (25 Ft Lines)*	(R-22Oz) 148	Calculated averaged performance data, for service applications for all matches. For applications where rated performance data is required refer to the Expanded Ratings or Specification Sheet.																			
Service Driers		Part No: 1086793																			
Liquid/Chg Suction	30 Culin/17oz 30Sqn	*Add or Subtract (Oz per Ft) for Lines: .25oz -1/4 Liq, .45oz- 5/16 Liq, .60oz- 3/8 Liq, 1.2 oz - 1/2 Liq																			

60,000 Btuh Units

Style No:	TCA260	Outdoor Ambient Temperature - Degrees F. Dry Bulb																			
		75				85				95				105				115			
		Entering Indoor Temperature - Degrees F. Wet Bulb																			
	IDB	59	63	67	71	59	63	67	71	59	63	67	71	59	63	67	71	59	63	67	71
Voltage	208/230																				
Phase	1																				
Ampacity	37.6																				
Wire Ga	8																				
Wire Length/Ft	50																				
Delay Fuse	45																				
Max. Fuse	60																				
Compressor	COPELAND																				
RLA	28.8																				
LRA	169																				
Cap MFD/V	80 / 370																				
CC Heater	NONE																				
Start Kit	NONE																				
Fan Motor-HP	1/4																				
Type	PSC / 2 SPD																				
FLA	1.5																				
LRA	2.9																				
MAX RPM	840																				
Cap MFD/V	7.5 / 370																				
PTCR	NONE																				
Hi Press	NONE																				
Low Press	NONE																				
Time Delay	NONE																				
Operating Chg (25 Ft Lines)*	(R-22Oz) 182	Calculated averaged performance data, for service applications for all matches. For applications where rated performance data is required refer to the Expanded Ratings or Specification Sheet.																			
Service Driers		Part No: 1086794																			
Liquid/Chg Suction	30 Culin/17oz 30Sqn	*Add or Subtract (Oz per Ft) for Lines: .25oz -1/4 Liq, .45oz- 5/16 Liq, .60oz- 3/8 Liq, 1.2 oz - 1/2 Liq																			