

# Parts List, Charging Chart, Wiring Diagrams

**RAS 3 – 10 Ton SERIES**

**1 & 3 Phase**

**R-410A PACKAGE AIR CONDITIONER  
UNITS**



## TABLE OF CONTENTS

**PARTS LIST----- SEE PAGE 2**  
**PARTS DRAWING ----- 37-52**  
**CHARGING CHART ----- 53-59**  
**WIRING DIAGRAM ----- 60-66**

<b>RAS Parts List</b>	<b>Page</b>
3 – 5 TON 208 / 230V 1 Phase	3–5
3 – 6 TON 208 / 230V 3 Phase	6 – 9
3 – 6 TON 460V 3 Phase	10 – 12
3 – 6 TON 575V 3 Phase	13 – 15
7.5 TON 208 / 230V 3 Phase	16 & 17
7.5 TON 460V 3 Phase	18 & 19
7.5 TON 575V 3 Phase	20 & 21
8.5 TON 208 / 230V 3 Phase	22 & 23
8.5 TON 460V 3 Phase	24 & 25
8.5 TON 575V 3 Phase	26 & 27
10 TON 208 / 230V 3 Phase	28 – 30
10 TON 460V 3 Phase	31 – 33
10 TON 575V 3 Phase	34 – 36

**RAS 3 – 5 Ton 208/230v 1 Phase PARTS LIST**

KEY NO.	DESCRIPTION	FAST PARTS NO.	PARTS LIST											
			RAS036K0AA0AAAA	RAS036K0BA0AAAA	RAS036K0AB0AAAA	RAS036K0BB0AAAA	RAS048K0AA0AAAA	RAS048K0BA0AAAA	RAS048K0AB0AAAA	RAS048K0BB0AAAA	RAS060K0AA0AAAA	RAS060K0BA0AAAA	RAS060K0AB0AAAA	RAS060K0BB0AAAA
01	COMP ZP31K5E-PFV-130	ZP31K5EPFV130	1	1	1	1	*	*	*	*	*	*	*	*
01	COMP ZP42K5E-PFV-830	ZP42K5EPFV130	*	*	*	*	1	1	1	1	*	*	*	*
01	COMP ZP54K5E-PFV-830	ZP54K5EPFV130	*	*	*	*	*	*	*	*	1	1	1	1
02	HEATER CRANKCASE 40W 240V	1178075	*	*	*	*	1	1	1	1	1	1	1	1
03	COIL ASY COND 3 TON AL/CU	1178038	1	1	1	1	*	*	*	*	*	*	*	*
03	COIL ASY COND 4-5 TON AL/CU	1178039	*	*	*	*	1	1	1	1	1	1	1	1
04	COIL ASY EVAP 3 TON AL/CU	1178037	1	1	1	1	*	*	*	*	*	*	*	*
04	COIL ASY EVAP 4 TON AL/CU	1178041	*	*	*	*	1	1	1	1	*	*	*	*
04	COIL ASY EVAP 5 TON AL/CU	1178025	*	*	*	*	*	*	*	*	1	1	1	1
05	MTR BLW 208/230/1 1 1620	1176336	1	1	1	1	1	1	1	1	1	*	1	*
05	MTR BLW 230/1 3 1725	1176388	*	*	*	*	*	*	*	*	*	1	*	1
06	MTR CND 1/230 1/4 1100	1178026	1	1	1	1	1	1	1	1	1	1	1	1
07	FAN C 22" 3B 1/2" 24 INT	1178035	1	1	1	1	1	1	1	1	1	1	1	1
08	CAP RN OV 370V 5	1172124	1	1	1	1	*	*	*	*	*	*	*	*
08	CAP RN OV 370V 5	1172163	*	*	*	*	1	1	1	1	*	*	*	*
08	CAP RN OV 370V 5	1172113	*	*	*	*	*	*	*	*	1	1	1	1
10	CONTACTOR 1P 40A 24V	1176763	2	2	2	2	2	2	2	2	2	2	2	2
11	CAP RN OV 370V 15	1172505	1	*	1	*	1	*	1	*	1	*	1	*
13	TRANS 208/230>24 75VA	1178027	1	1	1	1	1	1	1	1	1	1	1	1
14	WHEEL BLW 10" X 5/8 BORE	1175318	1	*	1	*	1	*	1	*	1	*	1	*
14	WHEEL BLW 11" X 5/8 BORE	1178085	*	1	*	1	*	1	*	1	*	1	*	1
17	TERMINAL BOARD	1178030	1	1	1	1	1	1	1	1	1	1	1	1
20	SWITCH LMT 200-M	1171483	1	1	1	1	1	1	1	1	1	1	1	1
38	FILTER DRIER	1178033	1	1	1	1	1	1	1	1	1	1	1	1
39	GROUND LUG	1172300	1	1	1	1	1	1	1	1	1	1	1	1
40	RELAY TIME DELAY	1178031	1	1	1	1	1	1	1	1	1	1	1	1
41	TERMINAL BLOCK 2P 25A 125V	1175339	1	1	1	1	1	1	1	1	1	1	1	1
42	BEARING	1175424	2	2	2	2	2	2	2	2	2	2	2	2
43	KEY	1175493	1	1	1	1	1	1	1	1	1	1	1	1
44	PULLEY BLW	1178034	1	*	1	*	1	*	1	*	*	*	*	*
44	PULLEY BLW	1175830	*	1	*	1	*	1	*	1	1	1	1	1
45	PULLEY MTR	1175849	1	1	1	1	1	1	1	1	1	*	1	*
45	PULLEY MTR	1175832	*	*	*	*	*	*	*	*	*	1	*	1
46	V-BELT	1178127	1	*	1	*	1	*	1	*	*	*	*	*
46	V-BELT	1177160	*	*	*	*	*	*	*	*	*	1	*	1
46	V-BELT	1178128	*	1	*	1	*	1	*	1	1	*	1	*
47	SHAFT FAN	1175422	1	1	1	1	1	1	1	1	1	1	1	1
48	SWITCH PRESS LO	1178029	1	1	1	1	1	1	1	1	1	1	1	1
50	SWITCH PRESS HI	1178028	1	1	1	1	1	1	1	1	1	1	1	1
51	KEY	1175300	1	*	1	*	1	*	1	*	1	*	1	*
52	ACTUATOR ECON DAMPER MTR	1176280	*	*	1	1	*	*	1	1	*	*	1	1
53	CONTROLLER	1176282	*	*	1	1	*	*	1	1	*	*	1	1
54	SHAFT ACTUATOR	1178103	*	*	1	1	*	*	1	1	*	*	1	1
55	SENSOR,(DISCHARGE)SUPPLY AIR(MIXED)	1176279	*	*	1	1	*	*	1	1	*	*	1	1
56	SENSOR,LOW AMBIENT	1176283	*	*	1	1	*	*	1	1	*	*	1	1
57	SENSOR OUTDOOR-AIR TEMP	1176281	*	*	1	1	*	*	1	1	*	*	1	1
A	FILTER AIR	1175312	2	2	2	2	2	2	2	2	2	2	2	2
C	BRACKET BASE	1171071	2	2	2	2	2	2	2	2	2	2	2	2

**RAS 3 - 5 Ton 208/230v 1 Phase PARTS LIST (continued)**

KEY NO.	DESCRIPTION	FAST PARTS NO.	FAST PARTS NO.											
			RAS036K0AA0AAAA	RAS036K0BA0AAAA	RAS036K0AB0AAAA	RAS036K0BB0AAAA	RAS048K0AA0AAAA	RAS048K0BA0AAAA	RAS048K0AB0AAAA	RAS048K0BB0AAAA	RAS060K0AA0AAAA	RAS060K0BA0AAAA	RAS060K0AB0AAAA	RAS060K0BB0AAAA
D	BRACKET COIL	1171070	1	1	1	1	1	1	1	1	1	1	1	
F	STRAP CAPACITOR	1171552	1	*	1	*	1	*	1	*	1	*	1	*
G	COVER ASY	1178042	1	1	1	1	1	1	1	1	1	1	1	
J	COVER ASY RETURN	1175227	1	1	1	1	1	1	1	1	1	1	1	
K	COVER ASY SUPPLY	1175228	1	1	1	1	1	1	1	1	1	1	1	
M	GRILLE OUTLET	1171267	1	1	1	1	1	1	1	1	1	1	1	
N	GROMMET	1171270	4	4	4	4	4	4	4	4	4	4	4	
P	GUARD BASERAIL	1175263	1	1	1	1	1	1	1	1	1	1	1	
F	STRAP,CAPACITOR	1171552	1	*	1	*	1	*	1	*	1	*	1	*
W	PAN ASY CONDENSATE	1175243	1	1	1	1	1	1	1	1	1	1	1	
X	PANEL ACCESS	1178045	1	1	1	1	1	1	1	1	1	1	1	
Y	PANEL ACCESS COMP	1178046	1	1	1	1	1	1	1	1	1	1	1	
Z	PANEL ASY LOWER	1175242	1	1	*	*	1	1	*	*	1	1	*	*
AA	PANEL ASY DOOR UPPER	1175241	1	1	*	*	1	1	*	*	1	1	*	*
AB	PANEL ASY INDOOR	1175226	1	1	1	1	1	1	1	1	1	1	1	1
AC	PANEL ASY FAN	1178040	1	1	1	1	1	1	1	1	1	1	1	1
AD	PANEL OUTDOOR	1178024	1	1	1	1	*	*	*	*	*	*	*	*
AD	PANEL OUTDOOR	1178047	*	*	*	*	1	1	1	1	1	1	1	1
AE	PLATE FAN	1175484	1	1	1	1	1	1	1	1	1	1	1	1
AF	PLATE FAN	1175299	1	1	1	1	1	1	1	1	1	1	1	1
AG	STRAP CAPACITOR	1172734	1	1	1	1	*	*	*	*	*	*	*	*
AG	STRAP CAPACITOR	1172735	*	*	*	*	1	1	1	1	1	1	1	1
AH	POST ASY CENTER	1178023	1	1	1	1	1	1	1	1	1	1	1	1
AJ	POST CENTER	1178044	1	1	1	1	1	1	1	1	1	1	1	1
AK	POST CORNER	1175256	1	1	1	1	1	1	1	1	1	1	1	1
AL	POST CORNER	1178043	1	1	1	1	1	1	1	1	1	1	1	1
AM	INSULATION ASY	1175230	2	2	2	2	2	2	2	2	2	2	2	2
AN	RACEWAY	1171428	1	1	1	1	1	1	1	1	1	1	1	1
AP	RAIL BASE	1175266	1	1	1	1	1	1	1	1	1	1	1	1
AQ	RAIL BASE	1175265	1	1	1	1	1	1	1	1	1	1	1	1
AR	RAIL BASE	1175334	1	1	1	1	1	1	1	1	1	1	1	1
AT	PANEL COIL	1178104	1	1	1	1	1	1	1	1	1	1	1	1
AV	PLATE MOTOR	1175844	1	*	1	*	1	*	1	*	1	*	1	*
AV	PLATE ASY MOTOR	1175664	*	1	*	1	*	1	*	1	*	1	*	1
AW	SCROLL FAN	1175260	1	1	1	1	1	1	1	1	1	1	1	1
BA	BOLT COMP MTG	1171056	4	4	4	4	4	4	4	4	4	4	4	4
BB	DRAIN LINE SEAL (ROUND)	1171447	1	1	1	1	1	1	1	1	1	1	1	1
BC	BRACKET MTR MTG	1175842	1	*	1	*	1	*	1	*	1	*	1	*
BC	SUPPORT BRACKET MTR MTG	1175483	*	1	*	1	*	1	*	1	*	1	*	1
BD	BRACKET ASY	1175423	2	2	2	2	2	2	2	2	2	2	2	2
BE	BLOWER ASY	1175283	1	*	1	*	1	*	1	*	1	*	1	*
BF	BASE PAN ASY,INDOOR	1175231	1	1	1	1	1	1	1	1	1	1	1	1
BG	BASE PAN ASY,OUTDOOR	1175328	1	1	1	1	1	1	1	1	1	1	1	1
BJ	DECK FAN	1175259	1	1	1	1	1	1	1	1	1	1	1	1
BM	HANDLE	1178036	3	3	3	3	3	3	3	3	3	3	3	3
BN	SEAL DRAIN	1171202	1	1	1	1	1	1	1	1	1	1	1	1
BP	GROMMET,WIRE (PARTITION)	1176613	2	2	2	2	2	2	2	2	2	2	2	2
BQ	PLATE ASY	1175843	1	1	1	1	1	1	1	1	1	1	1	1

**RAS 3 – 5 Ton 208/230v 1 Phase PARTS LIST (continued)**

KEY NO.	DESCRIPTION	FAST PARTS NO.	PARTS LIST (continued)											
			RAS036K0AA0AAAA	RAS036K0BA0AAAA	RAS036K0AB0AAAA	RAS036K0BB0AAAA	RAS048K0AA0AAAA	RAS048K0BA0AAAA	RAS048K0AB0AAAA	RAS048K0BB0AAAA	RAS060K0AA0AAAA	RAS060K0BA0AAAA	RAS060K0AB0AAAA	RAS060K0BB0AAAA
BR	PLATE BLOCKOFF	1175294	1	1	1	1	1	1	1	1	1	1	1	1
BS	FRAME ASY	1175238	1	1	1	1	1	1	1	1	1	1	1	1
BT	FILTER RETAINER TOP	1175273	1	1	1	1	1	1	1	1	1	1	1	1
BV	FILTER RETAINER BOT	1175274	1	1	1	1	1	1	1	1	1	1	1	1
BW	FILTER RETAINER SIDE	1175275	1	1	1	1	1	1	1	1	1	1	1	1
BX	BRACKET INDOOR	1175262	1	1	1	1	1	1	1	1	1	1	1	1
CD	BRACKET MOUNT	1175335	1	1	1	1	1	1	1	1	1	1	1	1
CF	COVER HEAT	1175332	2	2	2	2	2	2	2	2	2	2	2	2
CG	BRACKET HEAT	1175333	1	1	1	1	1	1	1	1	1	1	1	1
CH	PANEL LOWER	1176276	*	*	1	1	*	*	1	1	*	*	1	1
CJ	PANEL UPPER	1176277	*	*	1	1	*	*	1	1	*	*	1	1
CK	HOOD LF SIDE	MIM0640045A	*	*	1	1	*	*	1	1	*	*	1	1
CL	FILTER (AL) (15.31 X 29.44 X 1)	1176284	*	*	1	1	*	*	1	1	*	*	1	1
CM	HOOD RT SIDE	MIM0640040A	*	*	1	1	*	*	1	1	*	*	1	1
CN	HOOD DIVIDER	MIM0640014A	*	*	1	1	*	*	1	1	*	*	1	1
PARTS NOT SHOWN														
)	( PAINT 16-OZ CAN STERLING GRAY	1171357	1	1	1	1	1	1	1	1	1	1	1	1
)	( HARNESS ASY IFM	1178022	1	*	1	*	1	*	1	*	1	*	1	*
)	( HARNESS ASY IFM	1178084	*	1	*	1	*	1	*	1	*	*	*	*
)	( HARNESS ASY IFM	1178125	*	*	*	*	*	*	*	*	*	1	*	1
)	( PLUG ASY SHORTING	1171405	1	1	1	1	1	1	1	1	1	1	1	1
)	( PLUG COMP	1178032	1	1	1	1	1	1	1	1	1	1	1	1

**RAS 3 – 6 Ton 208/230v 3 Phase PARTS LIST**

KEY NO.	DESCRIPTION	FAST PARTS NO.	PARTS LIST															
			RAS036H0AA0AAAA	RAS036H0BA0AAAA	RAS036H0AB0AAAA	RAS036H0BB0AAAA	RAS048H0AA0AAAA	RAS048H0BA0AAAA	RAS048H0AB0AAAA	RAS048H0BB0AAAA	RAS060H0AA0AAAA	RAS060H0BA0AAAA	RAS060H0AB0AAAA	RAS060H0BB0AAAA	RAS072H0AA0AAAA	RAS072H0BA0AAAA	RAS072H0AB0AAAA	RAS072H0BB0AAAA
01	COMP ZP31K5E-TF5-130	ZP31K5ETF5130	1	1	1	1	*	*	*	*	*	*	*	*	*	*	*	*
01	COMP ZP42K5E-TF5-130	ZP42K5ETF5130	*	*	*	*	1	1	1	1	*	*	*	*	*	*	*	*
01	COMP ZP54K5E-TF5-130	ZP54K5ETF5130	*	*	*	*	*	*	*	*	1	1	1	1	*	*	*	*
01	COMP ZP61KCE-TF5-130	ZP61KCETF5130	*	*	*	*	*	*	*	*	*	*	*	*	1	1	1	1
02	HTR CC WP 40W240V CH230	1178075	*	*	*	*	1	1	1	1	1	1	1	1	*	*	*	*
02	HTR CC WP 70W240V CH230	1178134	*	*	*	*	*	*	*	*	*	*	*	*	1	1	1	1
03	COIL ASY COND 3 TON AL/CU	1178038	1	1	1	1	*	*	*	*	*	*	*	*	*	*	*	*
03	COIL ASY COND 4-5 TON AL/CU	1178039	*	*	*	*	1	1	1	1	1	1	1	1	*	*	*	*
03	COIL ASY COND 6 TON AL/CU	1178137	*	*	*	*	*	*	*	*	*	*	*	*	1	1	1	1
04	COIL ASY EVAP 3 TON AL/CU	1178037	1	1	1	1	*	*	*	*	*	*	*	*	*	*	*	*
04	COIL ASY EVAP 4 TON AL/CU	1178041	*	*	*	*	1	1	1	1	*	*	*	*	*	*	*	*
04	COIL ASY EVAP 5 TON AL/CU	1178025	*	*	*	*	*	*	*	*	1	1	1	1	*	*	*	*
04	COIL ASY EVAP 6 TON AL/CU	1178136	*	*	*	*	*	*	*	*	*	*	*	*	1	1	1	1
05	MTR BLW 208/230/3 1 1620	1176336	1	*	1	*	1	*	1	*	1	*	1	*	*	*	*	*
05	MTR BLW 230/460/3 3 1725	1175478	*	1	*	1	*	1	*	1	*	*	*	*	1	*	1	*
05	MTR BLW 230/460/3 3 1725	1175721	*	*	*	*	*	*	*	*	*	1	*	1	*	*	*	*
05	MTR BLW 230/460 3.7 1750	1175893	*	*	*	*	*	*	*	*	*	*	*	*	*	1	*	1
06	MTR CND 1/230 1/4 1100	1178026	1	1	1	1	1	1	1	1	1	1	1	1	*	*	*	*
06	MTR CND 1/230 1/2 1100	1177346	*	*	*	*	*	*	*	*	*	*	*	*	1	1	1	1
07	FAN C 22" 3B 1/2" 24 INT	1178035	1	1	1	1	1	1	1	1	1	1	1	1	1	1	1	1
08	CAP RN OV 370V 5	1172149	1	1	1	1	1	1	1	1	1	1	1	1	*	*	*	*
08	CAP RN OV 370V 10 AERO	1171807	*	*	*	*	*	*	*	*	*	*	*	*	1	1	1	1
09	CONTACTOR 1P 40A 24V	1176763	1	*	1	*	1	*	1	*	1	*	1	*	*	*	*	*
10	CONTACTOR 2P 40A 24V	1178074	1	2	1	2	1	2	1	2	1	2	1	2	2	2	2	2
11	CAP RN OV 370V 15	1172505	1	*	1	*	1	*	1	*	1	*	1	*	*	*	*	*
13	TRANS 208/230>24 75VA	1178027	1	1	1	1	1	1	1	1	1	1	1	1	1	1	1	1
14	WHEEL BLOWER 10" X 5/8 BORE	1175318	1	*	1	*	1	*	1	*	1	*	1	*	*	*	*	*
14	WHEEL BLOWER 11" X 5/8 BORE	1178085	*	1	*	1	*	1	*	1	*	1	*	1	1	1	1	1
17	TERMINAL BOARD	1178030	1	1	1	1	1	1	1	1	1	1	1	1	1	1	1	1
20	SWITCH LMT 200-M	1171483	1	1	1	1	1	1	1	1	1	1	1	1	1	1	1	1
38	FILTER DRIER	1178033	1	1	1	1	1	1	1	1	1	1	1	1	1	1	1	1
39	GROUND LUG	1172300	1	1	1	1	1	1	1	1	1	1	1	1	1	1	1	1
40	RELAY TIME DELAY	1178031	1	1	1	1	1	1	1	1	1	1	1	1	*	*	*	*
41	TERMINAL BLOCK 2P 25A 125V	1175339	1	1	1	1	1	1	1	1	1	1	1	1	1	1	1	1
42	BEARING	1175424	2	2	2	2	2	2	2	2	2	2	2	2	2	2	2	2
43	KEY	1175493	1	1	1	1	1	1	1	1	1	1	1	1	1	1	1	1
44	PULLEY BLW	1178034	1	*	1	*	1	*	1	*	*	*	*	*	*	1	*	1
44	PULLEY BLW	1175830	*	1	*	1	*	1	*	1	1	*	1	*	*	*	*	*
44	PULLEY BLW	1178083	*	*	*	*	*	*	*	*	*	1	*	1	1	*	1	*
45	PULLEY MTR	1175849	1	*	1	*	1	*	1	*	1	*	1	*	*	*	*	*
45	PULLEY MTR	1175832	*	1	*	1	*	1	*	1	*	*	*	*	*	*	*	*
45	PULLEY MTR	1175720	*	*	*	*	*	*	*	*	*	1	*	1	*	*	*	*
45	PULLEY MTR	1175494	*	*	*	*	*	*	*	*	*	*	*	*	1	*	1	*
45	PULLEY MTR	1178133	*	*	*	*	*	*	*	*	*	*	*	*	*	1	*	1
46	V-BELT	1178127	1	*	1	*	1	*	1	*	*	*	*	*	*	*	*	*
46	V-BELT	1177160	*	1	*	1	*	1	*	1	*	*	*	*	*	*	*	*
46	V-BELT	1178128	*	*	*	*	*	*	*	*	1	*	1	*	*	*	*	*
46	V-BELT	1175316	*	*	*	*	*	*	*	*	*	1	*	1	*	*	*	*

**RAS 3 – 6 Ton 208/230v 3 Phase PARTS LIST (continued)**

KEY NO.	DESCRIPTION	FAST PARTS NO.	RA	RA	RA	RA	RA	RA	RA	RA	RA	RA	RA	RA	RA	RA	RA	RA
			S036H0A0AAAA	S036H0B0AAAA	S036H0A0B0AAAA	S036H0B0B0AAAA	S048H0A0AAAA	S048H0B0AAAA	S048H0A0B0AAAA	S048H0B0B0AAAA	S060H0A0AAAA	S060H0B0AAAA	S060H0A0B0AAAA	S060H0B0B0AAAA	S072H0A0AAAA	S072H0B0AAAA	S072H0A0B0AAAA	S072H0B0B0AAAA
46	V-BELT	1178129	*	*	*	*	*	*	*	*	*	*	*	1	*	1	*	
46	V-BELT	1178131	*	*	*	*	*	*	*	*	*	*	*	*	1	*	1	
47	SHAFT FAN	1175422	1	1	1	1	1	1	1	1	1	1	1	1	1	1	1	
48	SWITCH PRESS LO	1178029	1	1	1	1	1	1	1	1	1	1	1	1	1	1	1	
50	SWITCH PRESS HI	1178028	1	1	1	1	1	1	1	1	1	1	1	1	1	1	1	
51	KEY	1175300	1	*	1	*	1	*	1	*	1	*	1	*	*	*	*	
52	ACTUATOR ECON DAMPER MTR	1176280	*	*	1	1	*	*	1	1	*	*	1	1	*	*	1	
53	CONTROLLER	1176282	*	*	1	1	*	*	1	1	*	*	1	1	*	*	1	
54	SHAFT ACTUATOR	1178103	*	*	1	1	*	*	1	1	*	*	1	1	*	*	1	
55	SENSOR (DISCHARGE)SUPPLY AIR(MIXED)	1176279	*	*	1	1	*	*	1	1	*	*	1	1	*	*	1	
56	SENSOR LOW AMBIENT	1176283	*	*	1	1	*	*	1	1	*	*	1	1	*	*	1	
57	SENSOR OUTDOOR-AIR TEMP	1176281	*	*	1	1	*	*	1	1	*	*	1	1	*	*	1	
A	FILTER AIR	1175312	2	2	2	2	2	2	2	2	2	2	2	2	*	*	*	
A	FILTER AIR	1175440	*	*	*	*	*	*	*	*	*	*	*	4	4	4	4	
C	BRACKET BASE	1171071	2	2	2	2	2	2	2	2	2	2	2	2	2	2	2	
D	BRACKET COIL	1171070	1	1	1	1	1	1	1	1	1	1	1	1	1	1	1	
F	STRAP CAPACITOR	1171552	2	1	2	1	2	1	2	1	2	1	2	1	1	1	1	
G	COVER ASY	1178042	1	1	1	1	1	1	1	1	1	1	1	1	1	1	1	
J	COVER ASY RETURN	1175227	1	1	1	1	1	1	1	1	1	1	1	1	1	1	1	
K	COVER ASY SUPPLY	1175228	1	1	1	1	1	1	1	1	1	1	1	1	1	1	1	
M	GRILLE OUTLET	1171267	1	1	1	1	1	1	1	1	1	1	1	1	1	1	1	
N	GROMMET	1171270	4	4	4	4	4	4	4	4	4	4	4	4	4	4	4	
P	GUARD BASERAIL	1175263	1	1	1	1	1	1	1	1	1	1	1	1	1	1	1	
W	PAN ASY CONDENSATE	1175243	1	1	1	1	1	1	1	1	1	1	1	1	1	1	1	
X	PANEL ACCESS	1178045	1	1	1	1	1	1	1	1	1	1	1	1	1	1	1	
Y	PANEL ACCESS COMP	1178046	1	1	1	1	1	1	1	1	1	1	1	*	*	*	*	
Y	PANEL ACCESS COMP	1178154	*	*	*	*	*	*	*	*	*	*	*	1	1	1	1	
Z	PANEL ASY LOWER	1175242	1	1	*	*	1	1	*	*	1	1	*	*	1	1	*	
AA	PANEL ASY DOOR UPPER	1175241	1	1	*	*	1	1	*	*	1	1	*	*	*	*	*	
AA	PANEL ASY DOOR UPPER	1175449	*	*	*	*	*	*	*	*	*	*	*	1	1	*	*	
AB	PANEL ASY INDOOR	1175226	1	1	1	1	1	1	1	1	1	1	1	*	*	*	*	
AB	PANEL ASY INDOOR	1175441	*	*	*	*	*	*	*	*	*	*	*	1	1	1	1	
AC	PANEL ASY FAN	1178040	1	1	1	1	1	1	1	1	1	1	1	*	*	*	*	
AC	PANEL ASY FAN	1178138	*	*	*	*	*	*	*	*	*	*	*	1	1	1	1	
AD	PANEL OUTDOOR	1178024	1	1	1	1	*	*	*	*	*	*	*	*	*	*	*	
AD	PANEL OUTDOOR	1178047	*	*	*	*	1	1	1	1	1	1	1	*	*	*	*	
AD	PANEL OUTDOOR	1178157	*	*	*	*	*	*	*	*	*	*	*	1	1	1	1	
AE	PLATE FAN	1175484	1	1	1	1	1	1	1	1	1	1	1	1	1	1	1	
AF	PLATE FAN	1175299	1	1	1	1	1	1	1	1	1	1	1	1	1	1	1	
AH	POST ASY CENTER	1178023	1	1	1	1	1	1	1	1	1	1	1	*	*	*	*	
AH	POST ASY CENTER	1178139	*	*	*	*	*	*	*	*	*	*	*	1	1	1	1	
AJ	POST CENTER CONTROL BOX SIDE	1178044	1	1	1	1	1	1	1	1	1	1	1	*	*	*	*	
AJ	POST CENTER CONTROL BOX SIDE	1178140	*	*	*	*	*	*	*	*	*	*	*	1	1	1	1	
AK	POST CORNER COIL	1175256	1	1	1	1	1	1	1	1	1	1	1	*	*	*	*	
AK	POST CORNER COIL	1175439	*	*	*	*	*	*	*	*	*	*	*	1	1	1	1	
AL	POST CORNER CONTROL BOX SIDE	1178043	1	1	1	1	1	1	1	1	1	1	1	*	*	*	*	
AL	POST CORNER CONTROL BOX SIDE	1178158	*	*	*	*	*	*	*	*	*	*	*	1	1	1	1	
AM	INSULATION ASY CORNER POST	1175230	2	2	2	2	2	2	2	2	2	2	2	*	*	*	*	

**RAS 3 – 6 Ton 208/230v 3 Phase PARTS LIST (continued)**

KEY NO.	DESCRIPTION	FAST PARTS NO.	FAST PARTS NO.															
			RAS036H0A0AAAA	RAS036H0B0AAAA	RAS036H0A0B0AAAA	RAS036H0B0B0AAAA	RAS048H0A0AAAA	RAS048H0B0AAAA	RAS048H0A0B0AAAA	RAS048H0B0B0AAAA	RAS060H0A0AAAA	RAS060H0B0AAAA	RAS060H0A0B0AAAA	RAS060H0B0B0AAAA	RAS072H0A0AAAA	RAS072H0B0AAAA	RAS072H0A0B0AAAA	RAS072H0B0B0AAAA
AM	INSULATION ASY CORNER POST	1178141	*	*	*	*	*	*	*	*	*	*	*	*	1	1	1	1
AN	RACEWAY	1171428	1	1	1	1	1	1	1	1	1	1	1	1	1	1	1	1
AP	RAIL BASE	1175266	1	1	1	1	1	1	1	1	1	1	1	1	1	1	1	1
AQ	RAIL BASE	1175265	1	1	1	1	1	1	1	1	1	1	1	1	1	1	1	1
AR	RAIL BASE	1175334	1	1	1	1	1	1	1	1	1	1	1	1	1	1	1	1
AT	PANEL COIL	1178104	1	1	1	1	1	1	1	1	1	1	1	1	*	*	*	*
AT	PANEL COIL	1178104	*	*	*	*	*	*	*	*	*	*	*	*	1	1	1	1
AV	PLATE MOTOR	1175844	1	*	1	*	1	*	1	*	1	*	1	*	*	*	*	*
AV	PLATE ASY MOTOR	1175664	*	1	*	1	*	1	*	1	*	1	*	1	1	1	1	1
AW	SCROLL FAN	1175260	1	1	1	1	1	1	1	1	1	1	1	1	1	1	1	1
BA	BOLT COMP MTG	1171056	4	4	4	4	4	4	4	4	4	4	4	4	4	4	4	4
BB	DRAIN LINE SEAL (ROUND)	1171447	1	1	1	1	1	1	1	1	1	1	1	1	1	1	1	1
BC	BRACKET MTR MTG	1175842	1	*	1	*	1	*	1	*	1	*	1	*	*	*	*	*
BC	SUPPORT BRACKET MTR MTG	1175483	*	1	*	1	*	1	*	1	*	1	*	1	1	1	1	1
BD	BRACKET ASY	1175423	2	2	2	2	2	2	2	2	2	2	2	2	2	2	2	2
BE	BLOWER ASY	1175283	1	*	1	*	1	*	1	*	1	*	1	*	*	*	*	*
BF	BASE PAN ASY INDOOR	1175231	1	1	1	1	1	1	1	1	1	1	1	1	1	1	1	1
BG	BASE PAN ASY OUTDOOR	1175328	1	1	1	1	1	1	1	1	1	1	1	1	1	1	1	1
BJ	DECK FAN	1175259	1	1	1	1	1	1	1	1	1	1	1	1	1	1	1	1
BM	HANDLE	1178036	3	3	3	3	3	3	3	3	3	3	3	3	3	3	3	3
BN	SEAL DRAIN	1171202	1	1	1	1	1	1	1	1	1	1	1	1	1	1	1	1
BP	GROMMET WIRE (PARTITION)	1176613	3	3	3	3	3	3	3	3	3	3	3	3	3	3	3	3
BQ	PLATE ASY	1175843	1	1	1	1	1	1	1	1	1	1	1	1	1	1	1	1
BR	PLATE BLOCKOFF	1175294	1	1	1	1	1	1	1	1	1	1	1	1	*	*	*	*
BR	PLATE BLOCKOFF	1175437	*	*	*	*	*	*	*	*	*	*	*	*	1	1	1	1
BS	FRAME ASY	1175238	1	1	1	1	1	1	1	1	1	1	1	1	*	*	*	*
BS	FRAME ASY	1175433	*	*	*	*	*	*	*	*	*	*	*	*	1	1	1	1
BT	FILTER RETAINER TOP	1175273	1	1	1	1	1	1	1	1	1	1	1	1	1	1	1	1
BV	FILTER RETAINER BOT	1175274	1	1	1	1	1	1	1	1	1	1	1	1	1	1	1	1
BW	FILTER RETAINER SIDE	1175275	2	2	2	2	2	2	2	2	2	2	2	2	*	*	*	*
BW	FILTER RETAINER SIDE	1175434	*	*	*	*	*	*	*	*	*	*	*	*	2	2	2	2
BX	BRACKET INDOOR	1175262	1	1	1	1	1	1	1	1	1	1	1	1	*	*	*	*
BX	BRACKET INDOOR	1175400	*	*	*	*	*	*	*	*	*	*	*	*	1	1	1	1
BY	SUPPORT TRACK	1175435	*	*	*	*	*	*	*	*	*	*	*	*	1	1	1	1
CD	BRACKET MOUNT	1175335	1	1	1	1	1	1	1	1	1	1	1	1	1	1	1	1
CF	COVER HEAT	1175332	2	2	2	2	2	2	2	2	2	2	2	2	2	2	2	2
CG	BRACKET HEAT	1175333	1	1	1	1	1	1	1	1	1	1	1	1	1	1	1	1
CH	PANEL LOWER	1176276	*	*	1	1	*	*	1	1	*	*	1	1	*	*	1	1
CJ	PANEL UPPER	1176277	*	*	1	1	*	*	1	1	*	*	1	1	*	*	1	1
CK	HOOD LF SIDE	MIM0640045A	*	*	1	1	*	*	1	1	*	*	1	1	*	*	1	1
CL	FILTER (AL) (15.31 X 29.44 X 1)	1176284	*	*	1	1	*	*	1	1	*	*	1	1	*	*	1	1
CM	HOOD RT SIDE	MIM0640040A	*	*	1	1	*	*	1	1	*	*	1	1	*	*	1	1
CN	HOOD DIVIDER	MIM0640014A	*	*	1	1	*	*	1	1	*	*	1	1	*	*	1	1
CR	INSULATION ASY CORNER POST	1178142	*	*	*	*	*	*	*	*	*	*	*	*	1	1	1	1
CS	PANEL FILLER	1175486	*	*	*	*	*	*	*	*	*	*	*	*	1	1	1	1
CT	COVER TOP OF CONTROL BOX (07 ONLY)	1175487	*	*	*	*	*	*	*	*	*	*	*	*	1	1	1	1
CV	PANEL ASY ADAPTER TOP (07 ONLY)	1175418	*	*	*	*	*	*	*	*	*	*	*	*	1	1	1	1
CW	PANEL ASY ADAPTER TOP (07 ONLY)	1175419	*	*	*	*	*	*	*	*	*	*	*	*	1	1	1	1



**RAS 3 – 6 Ton 208/230v 3 Phase PARTS LIST (continued)**

KEY NO.	DESCRIPTION	FAST PARTS NO.	RAS036H0AA0AAAA	RAS036H0BA0AAAA	RAS036H0AB0AAAA	RAS036H0BB0AAAA	RAS048H0AA0AAAA	RAS048H0BA0AAAA	RAS048H0AB0AAAA	RAS048H0BB0AAAA	RAS060H0AA0AAAA	RAS060H0BA0AAAA	RAS060H0AB0AAAA	RAS060H0BB0AAAA	RAS072H0AA0AAAA	RAS072H0BA0AAAA	RAS072H0AB0AAAA	RAS072H0BB0AAAA
PARTS NOT SHOWN																		
) (	PAINT 16-OZ CAN STERLING GRAY	1171357	1	1	1	1	1	1	1	1	1	1	1	1	1	1	1	1
) (	HARNESS ASY IFM	1178022	1	*	1	*	1	*	1	*	1	*	1	*	*	*	*	*
) (	HARNESS ASY IFM	1178084	*	1	*	1	*	1	*	1	*	1	*	1	1	1	1	1
) (	PLUG ASY SHORTING	1171405	1	1	1	1	1	1	1	1	1	1	1	1	1	1	1	1
) (	PLUG ASY COMP	1178076	1	1	1	1	1	1	1	1	1	1	1	1	*	*	*	*
) (	PLUG ASY COMP	1178135	*	*	*	*	*	*	*	*	*	*	*	*	1	1	1	1

**RAS 3 – 6 Ton 460v 3 Phase PARTS LIST (continued)**

KEY NO.	DESCRIPTION	FAST PARTS NO.	RAS036L0AA0AAAA	RAS036L0BA0AAAA	RAS036L0AB0AAAA	RAS036L0BB0AAAA	RAS048L0AA0AAAA	RAS048L0BA0AAAA	RAS048L0AB0AAAA	RAS048L0BB0AAAA	RAS060L0AA0AAAA	RAS060L0BA0AAAA	RAS060L0AB0AAAA	RAS060L0BB0AAAA	RAS072L0AA0AAAA	RAS072L0BA0AAAA	RAS072L0AB0AAAA	RAS072L0BB0AAAA
01	COMP ZP31K5E-TFD-130	ZP31K5ETFD130	1	1	1	1	*	*	*	*	*	*	*	*	*	*	*	*
01	COMP ZP42K5E-TFD-830	ZP42K5ETFD130	*	*	*	*	1	1	1	1	*	*	*	*	*	*	*	*
01	COMP ZP54K5E-TFD-830	ZP54K5ETFD130	*	*	*	*	*	*	*	*	1	1	1	1	*	*	*	*
01	COMP ZP61KCE-TFD-130	ZP61KCETFD130	*	*	*	*	*	*	*	*	*	*	*	*	1	1	1	1
02	HTR CC WP 40W460V TCH-245-7	1178078	*	*	*	*	1	1	1	1	1	1	1	1	*	*	*	*
02	HTR CC WP 70W480V CH230-3	1178203	*	*	*	*	*	*	*	*	*	*	*	*	1	1	1	1
03	COIL ASY COND 3 TON AL/CU	1178038	1	1	1	1	*	*	*	*	*	*	*	*	*	*	*	*
03	COIL ASY COND 4-5 TON AL/CU	1178039	*	*	*	*	1	1	1	1	1	1	1	1	*	*	*	*
03	COIL ASY COND 6 TON AL/CU	1178137	*	*	*	*	*	*	*	*	*	*	*	*	1	1	1	1
04	COIL ASY EVAP 3 TON AL/CU	1178037	1	1	1	1	*	*	*	*	*	*	*	*	*	*	*	*
04	COIL ASY EVAP 4 TON AL/CU	1178041	*	*	*	*	1	1	1	1	*	*	*	*	*	*	*	*
04	COIL ASY EVAP 5 TON AL/CU	1178025	*	*	*	*	*	*	*	*	1	1	1	1	*	*	*	*
04	COIL ASY EVAP 6 TON AL/CU	1178136	*	*	*	*	*	*	*	*	*	*	*	*	1	1	1	1
05	MTR BLW 460/1 1 1620	1175848	1	*	1	*	1	*	1	*	1	*	1	*	*	*	*	*
05	MTR BLW 230/460/3 3 1725	1175478	*	1	*	1	*	1	*	1	*	*	*	*	1	*	1	*
05	MTR BLW 230/460/3 3 1725	1175721	*	*	*	*	*	*	*	*	*	1	*	1	*	*	*	*
05	MTR BLW 230/460/3 3.7 1750	1175893	*	*	*	*	*	*	*	*	*	*	*	*	*	1	*	1
06	MTR CND 1/460 1/4 1100	1175525	1	1	1	1	1	1	1	1	1	1	1	1	1	1	1	1
07	FAN C 22" 3B 1/2" 24 INT	1178035	1	1	1	1	1	1	1	1	1	1	1	1	1	1	1	1
08	CAP RN OV 370V 5	1172149	1	1	1	1	1	1	1	1	1	1	1	1	1	1	1	1
09	CONTACTOR 1P 40A 24V	1176763	1	*	1	*	1	*	1	*	1	*	1	*	*	*	*	*
10	CONTACTOR 2P 40A 24V	1178074	1	2	1	2	1	2	1	2	1	2	1	2	2	2	2	2
11	CAP RN OV 370V 15	1172505	1	*	1	*	1	*	1	*	1	*	1	*	*	*	*	*
13	TRANS 460>24 75VA	1178077	1	1	1	1	1	1	1	1	1	1	1	1	1	1	1	1
14	WHEEL BLOWER	1175318	1	*	1	*	1	*	1	*	1	*	1	*	*	*	*	*
14	WHEEL BLOWER	1178085	*	1	*	1	*	1	*	1	*	1	*	1	1	1	1	1
17	TERMINAL BOARD	1178030	1	1	1	1	1	1	1	1	1	1	1	1	1	1	1	1
20	SWITCH LMT 200-M	1171483	1	1	1	1	1	1	1	1	1	1	1	1	1	1	1	1
38	FILTER DRIER	1178033	1	1	1	1	1	1	1	1	1	1	1	1	1	1	1	1
39	GROUND LUG	1172300	1	1	1	1	1	1	1	1	1	1	1	1	1	1	1	1
40	RELAY TIME DELAY	1178031	1	1	1	1	1	1	1	1	1	1	1	1	*	*	*	*
41	TERMINAL BLOCK 2P 25A 125V	1175339	1	1	1	1	1	1	1	1	1	1	1	1	1	1	1	1
42	BEARING	1175424	2	2	2	2	2	2	2	2	2	2	2	2	2	2	2	2
43	KEY	1175493	1	1	1	1	1	1	1	1	1	1	1	1	1	1	1	1
44	PULLEY BLW	1178034	1	*	1	*	1	*	1	*	*	*	*	*	*	1	*	1
44	PULLEY BLW	1175830	*	1	*	1	*	1	*	1	*	1	*	*	*	*	*	*
44	PULLEY BLW	1178083	*	*	*	*	*	*	*	*	*	1	*	1	1	*	1	*
45	PULLEY MTR	1175849	1	*	1	*	1	*	1	*	1	*	1	*	*	*	*	*
45	PULLEY MTR	1175832	*	1	*	1	*	1	*	1	*	*	*	*	*	*	*	*
45	PULLEY MTR	1175720	*	*	*	*	*	*	*	*	*	1	*	1	*	*	*	*
45	PULLEY MTR	1175494	*	*	*	*	*	*	*	*	*	*	*	*	1	*	1	*
45	PULLEY MTR	1178133	*	*	*	*	*	*	*	*	*	*	*	*	*	1	*	1
46	V-BELT	1178127	1	*	1	*	1	*	1	*	*	*	*	*	*	*	*	*
46	V-BELT	1177160	*	1	*	1	*	1	*	1	*	*	*	*	*	*	*	*
46	V-BELT	1178128	*	*	*	*	*	*	*	*	1	*	1	*	*	*	*	*
46	V-BELT	1175316	*	*	*	*	*	*	*	*	*	1	*	1	*	*	*	*
46	V-BELT	1178129	*	*	*	*	*	*	*	*	*	*	*	*	1	*	1	*
46	V-BELT	1178131	*	*	*	*	*	*	*	*	*	*	*	*	*	1	*	1
47	SHAFT FAN	1175422	1	1	1	1	1	1	1	1	1	1	1	1	1	1	1	1
48	SWITCH PRESS LO	1178029	1	1	1	1	1	1	1	1	1	1	1	1	1	1	1	1
50	SWITCH PRESS HI	1178028	1	1	1	1	1	1	1	1	1	1	1	1	1	1	1	1

**RAS 3 – 6 Ton 460v 3 Phase PARTS LIST (continued)**

KEY NO.	DESCRIPTION	FAST PARTS NO.	PARTS LIST																
			RAS036L0A0AAAA	RAS036L0B0AAAA	RAS036L0A0B0AAAA	RAS036L0B0B0AAAA	RAS048L0A0AAAA	RAS048L0B0AAAA	RAS048L0A0B0AAAA	RAS048L0B0B0AAAA	RAS060L0A0AAAA	RAS060L0B0AAAA	RAS060L0A0B0AAAA	RAS060L0B0B0AAAA	RAS072L0A0AAAA	RAS072L0B0AAAA	RAS072L0A0B0AAAA	RAS072L0B0B0AAAA	
51	KEY	1175300	1	*	1	*	1	*	1	*	1	*	1	*	1	*	1	*	
52	ACTUATOR ECON DAMPER MTR	1176280	*	*	1	1	*	*	1	1	*	*	1	1	*	*	1	1	
53	CONTROLLER	1176282	*	*	1	1	*	*	1	1	*	*	1	1	*	*	1	1	
54	SHAFT ACTUATOR	1178103	*	*	1	1	*	*	1	1	*	*	1	1	*	*	1	1	
55	SENSOR (DISCHARGE)SUPPLY AIR(MIXED)	1176279	*	*	1	1	*	*	1	1	*	*	1	1	*	*	1	1	
56	SENSOR LOW AMBIENT	1176283	*	*	1	1	*	*	1	1	*	*	1	1	*	*	1	1	
57	SENSOR OUTDOOR-AIR TEMP	1176281	*	*	1	1	*	*	1	1	*	*	1	1	*	*	1	1	
A	FILTER AIR	1175312	2	2	2	2	2	2	2	2	2	2	2	2	2	*	*	*	*
A	FILTER AIR	1175440	*	*	*	*	*	*	*	*	*	*	*	*	*	4	4	4	4
C	BRACKET BASE	1171071	2	2	2	2	2	2	2	2	2	2	2	2	2	2	2	2	
D	BRACKET COIL	1171070	1	1	1	1	1	1	1	1	1	1	1	1	1	1	1	1	
F	STRAP CAPACITOR	1171552	2	1	2	1	2	1	2	1	2	1	1	1	1	1	1	1	
G	COVER ASY	1178042	1	1	1	1	1	1	1	1	1	1	1	1	1	1	1	1	
J	COVER ASY RETURN	1175227	1	1	1	1	1	1	1	1	1	1	1	1	1	1	1	1	
K	COVER ASY SUPPLY	1175228	1	1	1	1	1	1	1	1	1	1	1	1	1	1	1	1	
M	GRILLE OUTLET	1171267	1	1	1	1	1	1	1	1	1	1	1	1	1	1	1	1	
N	GROMMET	1171270	4	4	4	4	4	4	4	4	4	4	4	4	4	4	4	4	
P	GUARD BASERAIL	1175263	1	1	1	1	1	1	1	1	1	1	1	1	1	1	1	1	
W	PAN ASY CONDENSATE	1175243	1	1	1	1	1	1	1	1	1	1	1	1	1	1	1	1	
X	PANEL ACCESS	1178045	1	1	1	1	1	1	1	1	1	1	1	1	1	1	1	1	
Y	PANEL ACCESS COMP	1178046	1	1	1	1	1	1	1	1	1	1	1	1	*	*	*	*	
Y	PANEL ACCESS COMP	1178154	*	*	*	*	*	*	*	*	*	*	*	*	1	1	1	1	
Z	PANEL ASY LOWER	1175242	1	1	1	1	1	1	1	1	1	1	1	1	1	1	1	1	
AA	PANEL ASY DOOR UPPER	1175241	1	1	1	1	1	1	1	1	1	1	1	1	*	*	*	*	
AA	PANEL ASY DOOR UPPER	1175449	*	*	*	*	*	*	*	*	*	*	*	*	1	1	1	1	
AB	PANEL ASY INDOOR	1175226	1	1	1	1	1	1	1	1	1	1	1	1	*	*	*	*	
AB	PANEL ASY INDOOR	1175441	*	*	*	*	*	*	*	*	*	*	*	*	1	1	1	1	
AC	PANEL ASY FAN	1178040	1	1	1	1	1	1	1	1	1	1	1	1	*	*	*	*	
AC	PANEL ASY FAN	1178138	*	*	*	*	*	*	*	*	*	*	*	*	1	1	1	1	
AD	PANEL OUTDOOR	1178024	1	1	1	1	*	*	*	*	*	*	*	*	*	*	*	*	
AD	PANEL OUTDOOR	1178047	*	*	*	*	1	1	1	1	1	1	1	1	*	*	*	*	
AD	PANEL OUTDOOR	1178157	*	*	*	*	*	*	*	*	*	*	*	*	1	1	1	1	
AE	PLATE FAN	1175484	1	1	1	1	1	1	1	1	1	1	1	1	1	1	1	1	
AF	PLATE FAN	1175299	1	1	1	1	1	1	1	1	1	1	1	1	1	1	1	1	
AH	POST ASY CENTER	1178023	1	1	1	1	1	1	1	1	1	1	1	1	*	*	*	*	
AH	POST ASY CENTER	1178139	*	*	*	*	*	*	*	*	*	*	*	*	1	1	1	1	
AJ	POST CENTER CONTROL BOX SIDE	1178044	1	1	1	1	1	1	1	1	1	1	1	1	*	*	*	*	
AJ	POST CENTER CONTROL BOX SIDE	1178140	*	*	*	*	*	*	*	*	*	*	*	*	1	1	1	1	
AK	POST CORNER COIL	1175256	1	1	1	1	1	1	1	1	1	1	1	1	*	*	*	*	
AK	POST CORNER COIL	1175439	*	*	*	*	*	*	*	*	*	*	*	*	1	1	1	1	
AL	POST CORNER CONTROL BOX SIDE	1178043	1	1	1	1	1	1	1	1	1	1	1	1	*	*	*	*	
AL	POST CORNER CONTROL BOX SIDE	1178158	*	*	*	*	*	*	*	*	*	*	*	*	1	1	1	1	
AM	INSULATION ASY CORNER POST	1175230	2	2	2	2	2	2	2	2	2	2	2	2	*	*	*	*	
AM	INSULATION ASY CORNER POST	1178141	*	*	*	*	*	*	*	*	*	*	*	*	1	1	1	1	
AN	RACEWAY	1171428	1	1	1	1	1	1	1	1	1	1	1	1	1	1	1	1	
AP	RAIL BASE	1175266	1	1	1	1	1	1	1	1	1	1	1	1	1	1	1	1	
AQ	RAIL BASE	1175265	1	1	1	1	1	1	1	1	1	1	1	1	1	1	1	1	
AR	RAIL BASE	1175334	1	1	1	1	1	1	1	1	1	1	1	1	1	1	1	1	
AT	PANEL COIL	1178104	1	1	1	1	1	1	1	1	1	1	1	1	*	*	*	*	
AT	PANEL COIL	1178104	*	*	*	*	*	*	*	*	*	*	*	*	1	1	1	1	
AV	PLATE MOTOR	1175844	1	*	1	*	1	*	1	*	1	*	1	*	1	*	1	*	

**RAS 3 – 6 Ton 460v 3 Phase PARTS LIST (continued)**

KEY NO.	DESCRIPTION	FAST PARTS NO.	RAS036L0A0AAAA	RAS036L0B0AAAA	RAS036L0A0B0AAAA	RAS036L0B0B0AAAA	RAS048L0A0AAAA	RAS048L0B0AAAA	RAS048L0A0B0AAAA	RAS048L0B0B0AAAA	RAS060L0A0AAAA	RAS060L0B0AAAA	RAS060L0A0B0AAAA	RAS060L0B0B0AAAA	RAS072L0A0AAAA	RAS072L0B0AAAA	RAS072L0A0B0AAAA	RAS072L0B0B0AAAA
			*	1	*	1	*	1	*	1	*	1	*	1	*	1	*	1
AV	PLATE ASY MOTOR	1175664	*	1	*	1	*	1	*	1	*	1	*	1	1	1	1	1
AW	SCROLL FAN	1175260	1	1	1	1	1	1	1	1	1	1	1	1	1	1	1	1
BA	BOLT COMP MTG	1171056	4	4	4	4	4	4	4	4	4	4	4	4	4	4	4	4
BB	DRAIN LINE SEAL (ROUND)	1171447	1	1	1	1	1	1	1	1	1	1	1	1	1	1	1	1
BC	BRACKET MTR MTG	1175842	1	*	1	*	1	*	1	*	1	*	1	*	*	*	*	*
BC	SUPPORT BRACKET MTR MTG	1175483	*	1	*	1	*	1	*	1	*	1	*	1	1	1	1	1
BD	BRACKET ASY	1175423	2	2	2	2	2	2	2	2	2	2	2	2	2	2	2	2
BE	BLOWER ASY	1175283	1	*	1	*	1	*	1	*	1	*	1	*	*	*	*	*
BF	BASE PAN ASY,INDOOR	1175231	1	1	1	1	1	1	1	1	1	1	1	1	1	1	1	1
BG	BASE PAN ASY,OUTDOOR	1175328	1	1	1	1	1	1	1	1	1	1	1	1	1	1	1	1
BJ	DECK FAN	1175259	1	1	1	1	1	1	1	1	1	1	1	1	1	1	1	1
BM	HANDLE	1178036	3	3	3	3	3	3	3	3	3	3	3	3	3	3	3	3
BN	SEAL DRAIN	1171202	1	1	1	1	1	1	1	1	1	1	1	1	1	1	1	1
BP	GROMMET,WIRE (PARTITION)	1176613	3	3	3	3	3	3	3	3	3	3	3	3	3	3	3	3
BQ	PLATE ASY	1175843	1	1	1	1	1	1	1	1	1	1	1	1	1	1	1	1
BR	PLATE BLOCKOFF	1175294	1	1	1	1	1	1	1	1	1	1	1	1	*	*	*	*
BR	PLATE BLOCKOFF	1175437	*	*	*	*	*	*	*	*	*	*	*	*	1	1	1	1
BS	FRAME ASY	1175238	1	1	1	1	1	1	1	1	1	1	1	1	*	*	*	*
BS	FRAME ASY	1175433	*	*	*	*	*	*	*	*	*	*	*	*	1	1	1	1
BT	FILTER RETAINER TOP	1175273	1	1	1	1	1	1	1	1	1	1	1	1	1	1	1	1
BV	FILTER RETAINER BOT	1175274	1	1	1	1	1	1	1	1	1	1	1	1	1	1	1	1
BW	FILTER RETAINER SIDE	1175275	2	2	2	2	2	2	2	2	2	2	2	2	*	*	*	*
BW	FILTER RETAINER SIDE	1175434	*	*	*	*	*	*	*	*	*	*	*	*	2	2	2	2
BX	BRACKET INDOOR	1175262	1	1	1	1	1	1	1	1	1	1	1	1	*	*	*	*
BX	BRACKET INDOOR	1175400	*	*	*	*	*	*	*	*	*	*	*	*	1	1	1	1
BY	SUPPORT TRACK	1175435	*	*	*	*	*	*	*	*	*	*	*	*	1	1	1	1
CD	BRACKET MOUNT	1175335	1	1	1	1	1	1	1	1	1	1	1	1	1	1	1	1
CF	COVER HEAT	1175332	2	2	2	2	2	2	2	2	2	2	2	2	2	2	2	2
CG	BRACKET HEAT	1175333	1	1	1	1	1	1	1	1	1	1	1	1	1	1	1	1
CH	PANEL LOWER	1176276	*	*	1	1	*	*	1	1	*	*	1	1	*	*	1	1
CJ	PANEL UPPER	1176277	*	*	1	1	*	*	1	1	*	*	1	1	*	*	1	1
CK	HOOD LF SIDE	MIM0640045A	*	*	1	1	*	*	1	1	*	*	1	1	*	*	1	1
CL	FILTER (AL) (15.31 X 29.44 X 1)	1176284	*	*	1	1	*	*	1	1	*	*	1	1	*	*	1	1
CM	HOOD RT SIDE	MIM0640040A	*	*	1	1	*	*	1	1	*	*	1	1	*	*	1	1
CN	HOOD DIVIDER	MIM0640014A	*	*	1	1	*	*	1	1	*	*	1	1	*	*	1	1
CR	INSULATION ASY CORNER POST	1178142	*	*	*	*	*	*	*	*	*	*	*	*	1	1	1	1
CS	PANEL FILLER	1175486	*	*	*	*	*	*	*	*	*	*	*	*	1	1	1	1
CT	COVER TOP OF CONTROL BOX (07 ONLY)	1175487	*	*	*	*	*	*	*	*	*	*	*	*	1	1	1	1
CV	PANEL ASY ADAPTER TOP (07 ONLY)	1175418	*	*	*	*	*	*	*	*	*	*	*	*	1	1	1	1
CW	PANEL ASY ADAPTER TOP (07 ONLY)	1175419	*	*	*	*	*	*	*	*	*	*	*	*	1	1	1	1
PARTS NOT SHOWN																		
)	PAINT (16-OZ CAN) (STERLING GRAY)	1171357	1	1	1	1	1	1	1	1	1	1	1	1	1	1	1	1
)	HARNESS ASY IFM	1178022	1	*	1	*	1	*	1	*	1	*	1	*	*	*	*	*
)	HARNESS ASY IFM	1178084	*	1	*	1	*	1	*	1	*	1	*	1	1	1	1	1
)	PLUG ASY COMP	1171405	1	1	1	1	1	1	1	1	1	1	1	1	1	1	1	1
)	PLUG ASY COMP	1178076	1	1	1	1	1	1	1	1	1	1	1	1	1	1	1	1

**RAS 3 – 6 Ton 575v 3 Phase PARTS LIST**

KEY NO.	DESCRIPTION	FAST PARTS NO.	RAS036S0A0AAAA	RAS036S0B0AAAA	RAS036S0A0B0AAAA	RAS036S0B0B0AAAA	RAS048S0A0AAAA	RAS048S0B0AAAA	RAS048S0A0B0AAAA	RAS048S0B0B0AAAA	RAS060S0A0AAAA	RAS060S0B0AAAA	RAS060S0A0B0AAAA	RAS060S0B0B0AAAA	RAS072S0A0AAAA	RAS072S0B0AAAA	RAS072S0A0B0AAAA	RAS072S0B0B0AAAA
01	COMP ZP31K5E-TFE-830	ZP31K5ETFE130	1	1	1	1	*	*	*	*	*	*	*	*	*	*	*	*
01	COMP ZP42K5E-TFE-830	ZP42K5ETFE130	*	*	*	*	1	1	1	1	*	*	*	*	*	*	*	*
01	COMP ZP54K5E-TFE-830	ZP54K5ETFE130	*	*	*	*	*	*	*	*	1	1	1	1	*	*	*	*
01	COMP ZP61KCE-TFE-130	ZP61KCETFE130	*	*	*	*	*	*	*	*	*	*	*	*	1	1	1	1
02	HTR CC WP 40W575V TCH196-6	1178079	*	*	*	*	1	1	1	1	1	1	1	1	*	*	*	*
02	HTR CC WP 70W575V CH230-06	1178156	*	*	*	*	*	*	*	*	*	*	*	*	1	1	1	1
03	COIL ASY COND 3 TON AL/CU	1178038	1	1	1	1	*	*	*	*	*	*	*	*	*	*	*	*
03	COIL ASY COND 4-5 TON AL/CU	1178039	*	*	*	*	1	1	1	1	1	1	1	1	*	*	*	*
03	COIL ASY COND 6 TON AL/CU	1178137	*	*	*	*	*	*	*	*	*	*	*	*	1	1	1	1
04	COIL ASY EVAP 3 TON AL/CU	1178037	1	1	1	1	*	*	*	*	*	*	*	*	*	*	*	*
04	COIL ASY EVAP 4 TON AL/CU	1178041	*	*	*	*	1	1	1	1	*	*	*	*	*	*	*	*
04	COIL ASY EVAP 5 TON AL/CU	1178025	*	*	*	*	*	*	*	*	1	1	1	1	*	*	*	*
04	COIL ASY EVAP 6 TON AL/CU	1178136	*	*	*	*	*	*	*	*	*	*	*	*	1	1	1	1
05	MTR BLW 3/575 1 1620	1175829	1	*	1	*	1	*	1	*	1	*	1	*	*	*	*	*
05	MTR BLW 3/575 3 1725	1175717	*	1	*	1	*	1	*	1	*	*	*	*	1	*	1	*
05	MTR BLW 3/575 3.7 1725	1178090	*	*	*	*	*	*	*	*	*	1	*	1	*	1	*	1
06	MTR CND 1/575 1/4 1100	1175303	1	1	1	1	1	1	1	1	1	1	1	1	1	1	1	1
07	FAN C 22" 3B 1/2" 24 INT	1178035	1	1	1	1	1	1	1	1	1	1	1	1	1	1	1	1
08	CAP RN OV 370V 5	1172149	1	1	1	1	1	1	1	1	1	1	1	1	1	1	1	1
09	CONTACTOR 1P 40A 24V	1176763	1	*	1	*	1	*	1	*	1	*	1	*	*	*	*	*
10	CONTACTOR 2P 40A 24V	1178074	1	2	1	2	1	2	1	2	1	2	1	2	2	2	2	2
11	CAP RN OV 370V 15	1172505	1	*	1	*	1	*	1	*	1	*	1	*	*	*	*	*
13	TRANS 575>24 75VA	1177852	1	1	1	1	1	1	1	1	1	1	1	1	1	1	1	1
14	WHEEL BLOWER	1175318	1	*	1	*	1	*	1	*	1	*	1	*	*	*	*	*
14	WHEEL BLOWER	1178085	*	1	*	1	*	1	*	1	*	1	*	1	1	1	1	1
17	TERMINAL BOARD	1178030	1	1	1	1	1	1	1	1	1	1	1	1	1	1	1	1
20	SWITCH LMT 200-M	1171483	1	1	1	1	1	1	1	1	1	1	1	1	1	1	1	1
38	FILTER DRIER	1178033	1	1	1	1	1	1	1	1	1	1	1	1	1	1	1	1
39	GROUND LUG	1172300	1	1	1	1	1	1	1	1	1	1	1	1	1	1	1	1
40	RELAY TIME DELAY	1178031	1	1	1	1	1	1	1	1	1	1	1	1	*	*	*	*
41	TERMINAL BLOCK 2P 25A 125V	1175339	1	1	1	1	1	1	1	1	1	1	1	1	1	1	1	1
42	BEARING	1175424	2	2	2	2	2	2	2	2	2	2	2	2	2	2	2	2
43	KEY	1175493	1	1	1	1	1	1	1	1	1	1	1	1	1	1	1	1
44	PULLEY BLW	1178034	1	*	1	*	1	*	1	*	*	*	*	*	*	1	*	1
44	PULLEY BLW	1175830	*	1	*	1	*	1	*	1	*	1	*	*	*	*	*	*
44	PULLEY BLW	1178083	*	*	*	*	*	*	*	*	*	1	*	1	1	*	1	*
45	PULLEY MTR	1175849	1	*	1	*	1	*	1	*	1	*	1	*	*	*	*	*
45	PULLEY MTR	1175832	*	1	*	1	*	1	*	1	*	*	*	*	*	*	*	*
45	PULLEY MTR	1175720	*	*	*	*	*	*	*	*	*	1	*	1	*	*	*	*
45	PULLEY MTR	1175494	*	*	*	*	*	*	*	*	*	*	*	*	1	*	1	*
45	PULLEY MTR	1178133	*	*	*	*	*	*	*	*	*	*	*	*	*	1	*	1
46	V-BELT	1178127	1	*	1	*	1	*	1	*	*	*	*	*	*	*	*	*
46	V-BELT	1177160	*	1	*	1	*	1	*	1	*	*	*	*	*	*	*	*
46	V-BELT	1178128	*	*	*	*	*	*	*	*	1	*	1	*	*	*	*	*
46	V-BELT	1175316	*	*	*	*	*	*	*	*	*	1	*	1	*	*	*	*
46	V-BELT	1178129	*	*	*	*	*	*	*	*	*	*	*	*	1	*	1	*
46	V-BELT	1178131	*	*	*	*	*	*	*	*	*	*	*	*	*	1	*	1
47	SHAFT FAN	1175422	1	1	1	1	1	1	1	1	1	1	1	1	1	1	1	1
48	SWITCH PRESS LO	1178029	1	1	1	1	1	1	1	1	1	1	1	1	1	1	1	1

**RAS 3 – 6 Ton 575v 3 Phase PARTS LIST (continued)**

KEY NO.	DESCRIPTION	FAST PARTS NO.	PARTS LIST																
			RAS036S0A0A0AAAA	RAS036S0B0A0AAAA	RAS036S0A0B0AAAA	RAS036S0B0B0AAAA	RAS048S0A0A0AAAA	RAS048S0B0A0AAAA	RAS048S0A0B0AAAA	RAS048S0B0B0AAAA	RAS060S0A0A0AAAA	RAS060S0B0A0AAAA	RAS060S0A0B0AAAA	RAS060S0B0B0AAAA	RAS072S0A0A0AAAA	RAS072S0B0A0AAAA	RAS072S0A0B0AAAA	RAS072S0B0B0AAAA	
50	SWITCH PRESS HI	1178028	1	1	1	1	1	1	1	1	1	1	1	1	1	1	1	1	
51	KEY	1175300	1	*	1	*	1	*	1	*	1	*	1	*	1	*	1	*	
52	ACTUATOR ECON DAMPER MTR	1176280	*	*	1	1	*	*	1	1	*	*	1	1	*	*	1	1	
53	CONTROLLER	1176282	*	*	1	1	*	*	1	1	*	*	1	1	*	*	1	1	
54	SHAFT ACTUATOR	1178103	*	*	1	1	*	*	1	1	*	*	1	1	*	*	1	1	
55	SENSOR (DISCHARGE)SUPPLY AIR(MIXED)	1176279	*	*	1	1	*	*	1	1	*	*	1	1	*	*	1	1	
56	SENSOR LOW AMBIENT	1176283	*	*	1	1	*	*	1	1	*	*	1	1	*	*	1	1	
57	SENSOR OUTDOOR-AIR TEMP	1176281	*	*	1	1	*	*	1	1	*	*	1	1	*	*	1	1	
A	FILTER AIR	1175312	2	2	2	2	2	2	2	2	2	2	2	2	2	*	*	*	*
A	FILTER AIR	1175440	*	*	*	*	*	*	*	*	*	*	*	*	*	4	4	4	4
C	BRACKET BASE	1171071	2	2	2	2	2	2	2	2	2	2	2	2	2	2	2	2	
D	BRACKET COIL	1171070	1	1	1	1	1	1	1	1	1	1	1	1	1	1	1	1	
F	STRAP,CAPACITOR	1171552	2	1	2	1	2	1	2	1	2	1	1	1	1	1	1	1	
G	COVER ASY	1178042	1	1	1	1	1	1	1	1	1	1	1	1	1	1	1	1	
J	COVER ASY RETURN	1175227	1	1	1	1	1	1	1	1	1	1	1	1	1	1	1	1	
K	COVER ASY SUPPLY	1175228	1	1	1	1	1	1	1	1	1	1	1	1	1	1	1	1	
M	GRILLE OUTLET	1171267	1	1	1	1	1	1	1	1	1	1	1	1	1	1	1	1	
N	GROMMET	1171270	4	4	4	4	4	4	4	4	4	4	4	4	4	4	4	4	
P	GUARD BASERAIL	1175263	1	1	1	1	1	1	1	1	1	1	1	1	1	1	1	1	
W	PAN ASY CONDENSATE	1175243	1	1	1	1	1	1	1	1	1	1	1	1	1	1	1	1	
X	PANEL ACCESS	1178045	1	1	1	1	1	1	1	1	1	1	1	1	1	1	1	1	
Y	PANEL ACCESS COMP	1178046	1	1	1	1	1	1	1	1	1	1	1	1	*	*	*	*	
Y	PANEL ACCESS COMP	1178154	*	*	*	*	*	*	*	*	*	*	*	*	1	1	1	1	
Z	PANEL ASY LOWER	1175242	1	1	*	*	1	1	*	*	1	1	*	*	1	1	*	*	
AA	PANEL ASY DOOR UPPER	1175241	1	1	*	*	1	1	*	*	1	1	*	*	*	*	*	*	
AA	PANEL ASY DOOR UPPER	1175449	*	*	*	*	*	*	*	*	*	*	*	*	1	1	*	*	
AB	PANEL ASY INDOOR	1175226	1	1	1	1	1	1	1	1	1	1	1	1	*	*	*	*	
AB	PANEL ASY INDOOR	1175441	*	*	*	*	*	*	*	*	*	*	*	*	1	1	1	1	
AC	PANEL ASY FAN	1178040	1	1	1	1	1	1	1	1	1	1	1	1	*	*	*	*	
AC	PANEL ASY FAN	1178138	*	*	*	*	*	*	*	*	*	*	*	*	1	1	1	1	
AD	PANEL OUTDOOR	1178024	1	1	1	1	*	*	*	*	*	*	*	*	*	*	*	*	
AD	PANEL OUTDOOR	1178047	*	*	*	*	1	1	1	1	1	1	1	1	*	*	*	*	
AD	PANEL OUTDOOR	1178157	*	*	*	*	*	*	*	*	*	*	*	*	1	1	1	1	
AE	PLATE FAN	1175484	1	1	1	1	1	1	1	1	1	1	1	1	1	1	1	1	
AF	PLATE FAN	1175299	1	1	1	1	1	1	1	1	1	1	1	1	1	1	1	1	
AH	POST ASY CENTER	1178023	1	1	1	1	1	1	1	1	1	1	1	1	*	*	*	*	
AH	POST ASY CENTER	1178139	*	*	*	*	*	*	*	*	*	*	*	*	1	1	1	1	
AJ	POST CENTER CONTROL BOX SIDE	1178044	1	1	1	1	1	1	1	1	1	1	1	1	*	*	*	*	
AJ	POST CENTER CONTROL BOX SIDE	1178140	*	*	*	*	*	*	*	*	*	*	*	*	1	1	1	1	
AK	POST CORNER COIL	1175256	1	1	1	1	1	1	1	1	1	1	1	1	*	*	*	*	
AK	POST CORNER COIL	1175439	*	*	*	*	*	*	*	*	*	*	*	*	1	1	1	1	
AL	POST CORNER CONTROL BOX SIDE	1178043	1	1	1	1	1	1	1	1	1	1	1	1	*	*	*	*	
AL	POST CORNER CONTROL BOX SIDE	1178158	*	*	*	*	*	*	*	*	*	*	*	*	1	1	1	1	
AM	INSULATION ASY CORNER POST	1175230	2	2	2	2	2	2	2	2	2	2	2	2	*	*	*	*	
AM	INSULATION ASY CORNER POST	1178141	*	*	*	*	*	*	*	*	*	*	*	*	1	1	1	1	
AN	RACEWAY	1171428	1	1	1	1	1	1	1	1	1	1	1	1	1	1	1	1	
AP	RAIL BASE	1175266	1	1	1	1	1	1	1	1	1	1	1	1	1	1	1	1	
AQ	RAIL BASE	1175265	1	1	1	1	1	1	1	1	1	1	1	1	1	1	1	1	
AR	RAIL BASE	1175334	1	1	1	1	1	1	1	1	1	1	1	1	1	1	1	1	

**RAS 3 – 6 Ton 575v 3 Phase PARTS LIST (continued)**

KEY NO.	DESCRIPTION	FAST PARTS NO.	PARTS LIST															
			RAS036S0A0A0AAAA	RAS036S0B0A0AAAA	RAS036S0A0B0AAAA	RAS036S0B0B0AAAA	RAS048S0A0A0AAAA	RAS048S0B0A0AAAA	RAS048S0A0B0AAAA	RAS048S0B0B0AAAA	RAS060S0A0A0AAAA	RAS060S0B0A0AAAA	RAS060S0A0B0AAAA	RAS060S0B0B0AAAA	RAS072S0A0A0AAAA	RAS072S0B0A0AAAA	RAS072S0A0B0AAAA	RAS072S0B0B0AAAA
AT	PANEL COIL	1178104	1	1	1	1	1	1	1	1	1	1	1	1	*	*	*	*
AT	PANEL COIL	1178104	*	*	*	*	*	*	*	*	*	*	*	*	1	1	1	1
AV	PLATE MOTOR	1175844	1	*	1	*	1	*	1	*	1	*	1	*	*	*	*	*
AV	PLATE ASY MOTOR	1175664	*	1	*	1	*	1	*	1	*	1	*	1	1	1	1	1
AW	SCROLL FAN	1175260	1	1	1	1	1	1	1	1	1	1	1	1	1	1	1	1
BA	BOLT COMP MTG	1171056	4	4	4	4	4	4	4	4	4	4	4	4	4	4	4	4
BB	DRAIN LINE SEAL (ROUND)	1171447	1	1	1	1	1	1	1	1	1	1	1	1	1	1	1	1
BC	BRACKET MTR MTG	1175842	1	*	1	*	1	*	1	*	1	*	1	*	*	*	*	*
BC	SUPPORT BRACKET MTR MTG	1175483	*	1	*	1	*	1	*	1	*	1	*	1	1	1	1	1
BD	BRACKET ASY	1175423	2	2	2	2	2	2	2	2	2	2	2	2	2	2	2	2
BE	BLOWER ASY	1175283	1	*	1	*	1	*	1	*	1	*	1	*	*	*	*	*
BF	BASE PAN ASY,INDOOR	1175231	1	1	1	1	1	1	1	1	1	1	1	1	1	1	1	1
BG	BASE PAN ASY,OUTDOOR	1175328	1	1	1	1	1	1	1	1	1	1	1	1	1	1	1	1
BJ	DECK FAN	1175259	1	1	1	1	1	1	1	1	1	1	1	1	1	1	1	1
BM	HANDLE	1178036	3	3	3	3	3	3	3	3	3	3	3	3	3	3	3	3
BN	SEAL DRAIN	1171202	1	1	1	1	1	1	1	1	1	1	1	1	1	1	1	1
BP	GROMMET,WIRE (PARTITION)	1176613	3	3	3	3	3	3	3	3	3	3	3	3	3	3	3	3
BQ	PLATE ASY	1175843	1	1	1	1	1	1	1	1	1	1	1	1	1	1	1	1
BR	PLATE BLOCKOFF	1175294	1	1	1	1	1	1	1	1	1	1	1	1	*	*	*	*
BR	PLATE BLOCKOFF	1175437	*	*	*	*	*	*	*	*	*	*	*	*	1	1	1	1
BS	FRAME ASY	1175238	1	1	1	1	1	1	1	1	1	1	1	1	*	*	*	*
BS	FRAME ASY	1175433	*	*	*	*	*	*	*	*	*	*	*	*	1	1	1	1
BT	FILTER RETAINER TOP	1175273	1	1	1	1	1	1	1	1	1	1	1	1	1	1	1	1
BV	FILTER RETAINER BOT	1175274	1	1	1	1	1	1	1	1	1	1	1	1	1	1	1	1
BW	FILTER RETAINER SIDE	1175275	2	2	2	2	2	2	2	2	2	2	2	2	*	*	*	*
BW	FILTER RETAINER SIDE	1175434	*	*	*	*	*	*	*	*	*	*	*	*	2	2	2	2
BX	BRACKET INDOOR	1175262	1	1	1	1	1	1	1	1	1	1	1	1	*	*	*	*
BX	BRACKET INDOOR	1175400	*	*	*	*	*	*	*	*	*	*	*	*	1	1	1	1
BY	SUPPORT TRACK	1175435	*	*	*	*	*	*	*	*	*	*	*	*	1	1	1	1
CD	BRACKET MOUNT	1175335	1	1	1	1	1	1	1	1	1	1	1	1	1	1	1	1
CF	COVER HEAT	1175332	2	2	2	2	2	2	2	2	2	2	2	2	2	2	2	2
CG	BRACKET HEAT	1175333	1	1	1	1	1	1	1	1	1	1	1	1	1	1	1	1
CH	PANEL LOWER	1176276	*	*	1	1	*	*	1	1	*	*	1	1	*	*	1	1
CJ	PANEL UPPER	1176277	*	*	1	1	*	*	1	1	*	*	1	1	*	*	1	1
CK	HOOD LF SIDE	MIM0640045A	*	*	1	1	*	*	1	1	*	*	1	1	*	*	1	1
CL	FILTER (AL) (15.31 X 29.44 X 1)	1176284	*	*	1	1	*	*	1	1	*	*	1	1	*	*	1	1
CM	HOOD RT SIDE	MIM0640040A	*	*	1	1	*	*	1	1	*	*	1	1	*	*	1	1
CN	HOOD DIVIDER	MIM0640014A	*	*	1	1	*	*	1	1	*	*	1	1	*	*	1	1
CR	INSULATION ASY CORNER POST	1178142	*	*	*	*	*	*	*	*	*	*	*	*	1	1	1	1
CS	PANEL FILLER	1175486	*	*	*	*	*	*	*	*	*	*	*	*	1	1	1	1
CT	COVER TOP OF CONTROL BOX (07 ONLY)	1175487	*	*	*	*	*	*	*	*	*	*	*	*	1	1	1	1
CV	PANEL ASY ADAPTER TOP (07 ONLY)	1175418	*	*	*	*	*	*	*	*	*	*	*	*	1	1	1	1
CW	PANEL ASY ADAPTER TOP (07 ONLY)	1175419	*	*	*	*	*	*	*	*	*	*	*	*	1	1	1	1
PARTS NOT SHOWN																		
)	( HARNESS ASY IFM	1178084	*	1	*	1	*	1	*	1	*	1	*	1	1	1	1	1
)	( PLUG ASY	1171405	1	1	1	1	1	1	1	1	1	1	1	1	1	1	1	1
)	( PLUG ASY COMP	1178076	1	1	1	1	1	1	1	1	1	1	1	1	1	1	1	1

**RAS 7.5 Ton 208/230v 3 Phase PARTS LIST**

KEY NO.	DESCRIPTION	FAST PARTS NO.	RAS091HOAA0AAAA	RAS091H0BA0AAAA	RAS091HOAB0AAAA	RAS091H0BB0AAAA
01	COMP ZP83KCE-TF5-250	ZP83KCETF5250	1	1	1	1
02	HTR CC WP 70W240V CH230	1178209	1	1	1	1
03	COIL ASY COND 7.5 TON AL/CU	1178214	1	1	1	1
04	COIL ASY EVAP 7.5 TON AL/CU	1178213	1	1	1	1
05	MTR BLW 3/208-460 1.7 1725	1178210	1	*	1	*
05	MTR BLW 3/208-460 5.25 1740	1176645	*	1	*	1
06	MTR CND 1/230 1/4 1100	1178026	2	2	2	2
07	FAN C 22" 3B 1/2" 24 INT	1178035	2	2	2	2
08	CAP RN OV DUAL 370V 5+5	1175716	1	1	1	1
9	CONTACTOR 2P 30A 24V	1178074	1	1	1	1
10	CONTACTOR 2P 40A 24V	1178211	1	1	1	1
13	TRANS 208/230>24 75VA	1178027	1	1	1	1
14	WHEEL BD15x15x1 REV CV DBL	1171050	1	1	1	1
17	TERMINAL BOARD	1178030	1	1	1	1
20	SWITCH LMT 200-M	1171483	1	1	1	1
38	FILTER DRIER	1177620	1	1	1	1
39	GROUND LUG	1172300	1	1	1	1
41	TERMINAL BLOCK	1175339	1	1	1	1
42	BEARING	1175709	2	2	2	2
43	KEY BLOWER	1171322	1	1	1	1
44	PULLEY BLOWER	1178212	1	*	1	*
44	PULLEY BLOWER	1178190	*	1	*	1
45	PULLEY MOTOR	1175849	1	*	1	*
45	PULLEY MOTOR	1178133	*	1	*	1
46	BELT V	1178222	1	*	1	*
46	BELT V	1178223	*	1	*	1
47	SHAFT FAN	1175730	1	1	1	1
48	SWITCH PRESSURE (LPS)	1178029	1	1	1	1
50	SWITCH PRESSURE (HPS)	1178028	1	1	1	1
51	BREAKER 15A 3 POLE 240V	1171080	*	1	*	1
52	ACTUATOR DAMPER MOTOR	1176280	*	*	1	1
53	CONTROLLER	1176282	*	*	1	1
54	SHAFT ACTUATOR	1178103	*	*	1	1
55	SENSOR (DISCHARGE)SUPPLY AIR(MIXED)	1176279	*	*	1	1
56	SENSOR LOW AMBIENT	1176283	*	*	1	1
57	SENSOR OUTDOOR-AIR TEMPERATURE	1176281	*	*	1	1
A	FILTER AIR	1171230	4	4	4	4
C	BRACKET BASERAIL CORNER	1171071	2	2	2	2
D	BRACKET COIL	1171070	1	1	1	1
G	COVER ASY TOP	1178216	1	1	1	1
J	COVER ASY RETURN AIR	1171181	1	1	1	1
K	COVER ASY SUPPLY	1171182	1	1	1	1
M	GRILLE OUTLET	1171267	2	2	2	2
N	GROMMET	1171270	4	4	4	4
P	GUARD BASERAIL INDOOR END	1171206	1	1	1	1
Q	BRACKET BREAKER	1171063	*	1	*	1
W	PAN ASY CONDENSATE	1171359	1	1	1	1
X	PANEL ACCESS CONTROL BOX	1178289	1	1	1	1
Z	PANEL ASY FILTER LOWER	1171382	1	1	*	*
AA	PANEL ASY DOOR FILTER UPPER	1171386	1	1	*	*
AB	PANEL ASY INDOOR END	1171375	1	1	1	1



**RAS 7.5 Ton 208/230v 3 Phase PARTS LIST (continued)**

KEY NO.	DESCRIPTION	FAST PARTS NO.	FA091H0A00AAAA	FA091H0B00AAAA	FA091H0A00AAAA	FA091H0B00AAAA
AC	PANEL ASY INDOOR FAN	1178224	1	1	1	1
AD	PANEL OUTDOOR	1178231	1	1	1	1
AE	PLATE FAN	1171395	1	1	1	1
AF	PLATE FAN	1171396	1	1	1	1
AG	STRAP CAPACITOR	1176134	1	1	1	1
AH	POST ASY CENTER	1178235	1	1	1	1
AJ	POST CENTER CONTROL BOX SIDE	1178290	1	1	1	1
AK	POST CORNER COIL	1178217	1	1	1	1
AL	POST CORNER CONTROL BOX SIDE	1178226	1	1	1	1
AM	INSULATION ASY CORNER POST	1178227	1	1	1	1
AN	CONDUIT	1171428	2	2	2	2
AP	RAIL BASE FILTER ACCESS	1171033	1	1	1	1
AQ	RAIL BASE INDOOR FAN ACCESS	1171031	1	1	1	1
AR	RAIL BASE OUTDOOR END	1171032	1	1	1	1
AV	PLATE ASY MOTOR	1175664	1	1	1	1
AW	SCROLL FAN	1171445	1	1	1	1
BA	BOLT HEX HEAD	1171056	4	4	4	4
BB	SEAL DRAIN LINE ROUND	1171447	1	1	1	1
BC	SUPPORT BRACKET MTR MTG	1175711	1	1	1	1
BD	BRACKET ASY	1175712	2	2	2	2
BE	BLOWER ASY	1172637	1	1	1	1
BF	BASE PAN ASY INDOOR	1171307	1	1	1	1
BG	BASE PAN ASY OUTDOOR	1171024	1	1	1	1
BJ	DECK FAN	1171214	1	1	1	1
BK	BRACKET	1175713	1	1	1	1
BM	HANDLE SNAP-IN PLASTIC	1178036	3	3	3	3
BN	SEAL DRAIN LINE SQUARE	1171202	1	1	1	1
BP	GROMMET WIRE PARTITION	1176613	2	2	2	2
BQ	PLATE ASY COMP MOUNTING	1178234	1	1	1	1
BS	FRAME ASY	1171234	1	1	1	1
BT	RETAINER FILTER	1171239	1	1	1	1
BV	RETAINER FILTER	1171238	1	1	1	1
BW	RETAINER FILTER	1171240	2	2	2	2
BX	BRACKET INDOOR	1175400	1	1	1	1
BY	SUPPORT TRACK	1171472	1	1	1	1
CD	HTR BRACKET	1171304	1	1	1	1
CE	COVER HEATER	1171372	1	1	1	1
CH	PANEL LOWER	1178306	*	*	1	1
CJ	PANEL UPPER	1178307	*	*	1	1
CK	HOOD LF SIDE	MIM0640050A	*	*	1	1
CL	FILTER (AL) (15.31 X 29.44 X 1)	1176284	*	*	1	1
CM	HOOD RT SIDE	MIM0640051A	*	*	1	1
CN	HOOD DIVIDER	MIM0640052A	*	*	1	1
CR	INSULATION ASY CORNER POST	1178215	1	1	1	1
PARTS NOT SHOWN						
)	( PAINT (16-OZ CAN) (STERLING GRAY)	1171357	1	1	1	1
)	( HARNESS ASY IFM	1178229	1	1	1	1
)	( PLUG ASY SHORTING	1171405	1	1	1	1
)	( HARNESS ASY (PAC CONTROL)	1178288	1	1	1	1
)	( HARNESS ASY(CLO1/COMP1) TERM BD	1178160	1	1	1	1
)	( HARNESS ASY (PL6) (ECONOMIZER)	1178162	1	1	1	1

**RAS 7.5 Ton 460v 3 Phase PARTS LIST (continued)**

KEY NO.	DESCRIPTION	FAST PARTS NO.	RAS091LOAA0AAAA	RAS091LOB0AAAA	RAS091LOAB0AAAA	RAS091LOBB0AAAA
01	COMP ZP83KCE-TFD-250	ZP83KCETFD250	1	1	1	1
02	HTR CC WP 70W480V CH230-3	1178256	1	1	1	1
03	COIL ASY COND 7.5 TON AL/CU	1178214	1	1	1	1
04	COIL ASY EVAP 7.5 TON AL/CU	1178213	1	1	1	1
05	MTR BLW 3/208-460 1.7 1725	1178210	1	*	1	*
05	MTR BLW 3/208-460 5.25 1740	1176645	*	1	*	1
06	MTR CND 1/460 1/4 1100	1175525	2	2	2	2
07	FAN C 22" 3B 1/2" 24 INT	1178035	2	2	2	2
08	CAP RN OV DUAL 370V 5+5	1175716	1	1	1	1
10	CONTACTOR 2P 30A 24V	1178074	2	2	2	2
13	TRANS 575>24 75VA	1178077	1	1	1	1
14	WHEEL BD15x15x1 REV CV DBL	1171050	1	1	1	1
17	TERMINAL BOARD	1178030	1	1	1	1
20	SWITCH LMT 200-M	1171483	1	1	1	1
38	FILTER DRIER	1177620	1	1	1	1
39	GROUND LUG	1172300	1	1	1	1
41	TERMINAL BLOCK	1175339	1	1	1	1
42	BEARING	1175709	2	2	2	2
43	KEY BLOWER	1171322	1	1	1	1
44	PULLEY BLOWER	1178212	1	*	1	*
44	PULLEY BLOWER	1178190	*	1	*	1
45	PULLEY MOTOR	1175849	1	*	1	*
45	PULLEY MOTOR	1178133	*	1	*	1
46	BELT V	1178222	1	*	1	*
46	BELT V	1178223	*	1	*	1
47	SHAFT FAN	1175730	1	1	1	1
48	SWITCH PRESSURE (LPS)	1178029	1	1	1	1
50	SWITCH PRESSURE (HPS)	1178028	1	1	1	1
51	BREAKER 15A 3 POLE 240V	1171079	*	1	*	1
52	ACTUATOR DAMPER MOTOR	1176280	*	*	1	1
53	CONTROLLER	1176282	*	*	1	1
54	SHAFT ACTUATOR	1178103	*	*	1	1
55	SENSOR (DISCHARGE)SUPPLY AIR(MIXED)	1176279	*	*	1	1
56	SENSOR LOW AMBIENT	1176283	*	*	1	1
57	SENSOR OUTDOOR-AIR TEMPERATURE	1176281	*	*	1	1
A	FILTER AIR	1171230	4	4	4	4
C	BRACKET BASERAIL CORNER	1171071	2	2	2	2
D	BRACKET COIL	1171070	1	1	1	1
G	COVER ASY TOP	1178216	1	1	1	1
J	COVER ASY RETURN AIR	1171181	1	1	1	1
K	COVER ASY SUPPLY	1171182	1	1	1	1
M	GRILLE OUTLET	1171267	2	2	2	2
N	GROMMET	1171270	4	4	4	4
P	GUARD BASERAIL INDOOR END	1171206	1	1	1	1
Q	BRACKET BREAKER	1171063	*	1	*	1
W	PAN ASY CONDENSATE	1171359	1	1	1	1
X	PANEL ACCESS CONTROL BOX	1178289	1	1	1	1
Z	PANEL ASY FILTER LOWER	1171382	1	1	*	*
AA	PANEL ASY DOOR FILTER UPPER	1171386	1	1	*	*
AB	PANEL ASY INDOOR END	1171375	1	1	1	1
AC	PANEL ASY INDOOR FAN	1178224	1	1	1	1

**RAS 7.5 Ton 460v 3 Phase PARTS LIST (continued)**

KEY NO.	DESCRIPTION	FAST PARTS NO.	RAS091LOAA0AAAA	RAS091LOB0AAAA	RAS091LOAB0AAAA	RAS091LOBB0AAAA
AD	PANEL OUTDOOR	1178231	1	1	1	1
AE	PLATE FAN	1171395	1	1	1	1
AF	PLATE FAN	1171396	1	1	1	1
AG	STRAP CAPACITOR	1176134	1	1	1	1
AH	POST ASY CENTER	1178235	1	1	1	1
AJ	POST CENTER CONTROL BOX SIDE	1178290	1	1	1	1
AK	POST CORNER COIL	1178217	1	1	1	1
AL	POST CORNER CONTROL BOX SIDE	1178226	1	1	1	1
AM	INSULATION ASY CORNER POST	1178227	1	1	1	1
AN	CONDUIT	1171428	2	2	2	2
AP	RAIL BASE FILTER ACCESS	1171033	1	1	1	1
AQ	RAIL BASE INDOOR FAN ACCESS	1171031	1	1	1	1
AR	RAIL BASE OUTDOOR END	1171032	1	1	1	1
AV	PLATE ASY MOTOR	1175664	1	1	1	1
AW	SCROLL FAN	1171445	1	1	1	1
BA	BOLT HEX HEAD	1171056	4	4	4	4
BB	SEAL DRAIN LINE ROUND	1171447	1	1	1	1
BC	SUPPORT BRACKET MTR MTG	1175711	1	1	1	1
BD	BRACKET ASY	1175712	2	2	2	2
BE	BLOWER ASY	1172637	1	1	1	1
BF	BASE PAN ASY INDOOR	1171307	1	1	1	1
BG	BASE PAN ASY OUTDOOR	1171024	1	1	1	1
BJ	DECK FAN	1171214	1	1	1	1
BK	BRACKET	1175713	1	1	1	1
BM	HANDLE SNAP-IN PLASTIC	1178036	3	3	3	3
BN	SEAL DRAIN LINE SQUARE	1171202	1	1	1	1
BP	GROMMET WIRE PARTITION	1176613	2	2	2	2
BQ	PLATE ASY COMP MOUNTING	1178234	1	1	1	1
BS	FRAME ASY	1171234	1	1	1	1
BT	RETAINER FILTER	1171239	1	1	1	1
BV	RETAINER FILTER	1171238	1	1	1	1
BW	RETAINER FILTER	1171240	2	2	2	2
BX	BRACKET INDOOR	1175400	1	1	1	1
BY	SUPPORT TRACK	1171472	1	1	1	1
CD	HTR BRACKET	1171304	1	1	1	1
CE	COVER HEATER	1171372	1	1	1	1
CH	PANEL LOWER	1176276	*	*	1	1
CJ	PANEL UPPER	1176277	*	*	1	1
CK	HOOD LF SIDE	MIM0640050A	*	*	1	1
CL	FILTER (AL) (15.31 X 29.44 X 1)	1176284	*	*	1	1
CM	HOOD RT SIDE	MIM0640051A	*	*	1	1
CN	HOOD DIVIDER	MIM0640052A	*	*	1	1
CR	INSULATION ASY CORNER POST	1178215	1	1	1	1
PARTS NOT SHOWN						
)	( PAINT (16-OZ CAN) (STERLING GRAY)	1171357	1	1	1	1
)	( HARNESS ASY IFM	1178229	1	1	1	1
)	( PLUG ASY SHORTING	1171405	1	1	1	1
)	( HARNESS ASY (PAC CONTROL)	1178288	1	1	1	1
)	( HARNESS ASY(CLO1/COMP1) TERM BD	1178160	1	1	1	1
)	( HARNESS ASY (PL6) (ECONOMIZER)	1178162	1	1	1	1

**RAS 7.5 Ton 575v 3 Phase PARTS LIST (continued)**

KEY NO.	DESCRIPTION	FAST PARTS NO.	RAS091L0AA0AAAA	RAS091L0BA0AAAA	RAS091L0AB0AAAA	RAS091L0BB0AAAA
01	COMP ZP83KCE-TFE-250	ZP83KCETFE250	1	1	1	1
02	HTR CC WP 70W 575V CH230-06	1178258	1	1	1	1
03	COIL ASY COND 7.5 TON AL/CU	1178214	1	1	1	1
04	COIL ASY EVAP 7.5 TON AL/CU	1178213	1	1	1	1
05	MTR BLW 3/575 1.7 1725	1178259	1	*	1	*
05	MTR BLT 3/575 5.25 1725	1176644	*	1	*	1
06	MTR CND 1/575 1/4 1100	1175840	2	2	2	2
07	FAN C 22" 3B 1/2" 24 INT	1178035	2	2	2	2
08	CAP RN OV DUAL 370V 5+5	1175716	1	1	1	1
10	CONTACTOR 2P 30A 24V	1178074	2	2	2	2
13	TRANS 575>24 75VA	1177852	1	1	1	1
14	WHEEL BD15x15x1 REV CV DBL	1171050	1	1	1	1
17	TERMINAL BOARD	1178030	1	1	1	1
20	SWITCH LMT 200-M	1171483	1	1	1	1
38	FILTER DRIER	1177620	1	1	1	1
39	GROUND LUG	1172300	1	1	1	1
41	TERMINAL BLOCK	1175339	1	1	1	1
42	BEARING	1175709	2	2	2	2
43	KEY BLOWER	1171322	1	1	1	1
44	PULLEY BLOWER	1178212	1	*	1	*
44	PULLEY BLOWER	1178190	*	1	*	1
45	PULLEY MOTOR	1175849	1	*	1	*
45	PULLEY MOTOR	1178133	*	1	*	1
46	BELT V	1178222	1	*	1	*
46	BELT V	1178223	*	1	*	1
47	SHAFT FAN	1175730	1	1	1	1
48	SWITCH PRESSURE (LPS)	1178029	1	1	1	1
50	SWITCH PRESSURE (HPS)	1178028	1	1	1	1
51	BREAKER 6A 3 POLE 600V	1171817	*	1	*	1
52	ACTUATOR DAMPER MOTOR	1176280	*	*	1	1
53	CONTROLLER	1176282	*	*	1	1
54	SHAFT ACTUATOR	1178103	*	*	1	1
55	SENSOR (DISCHARGE)SUPPLY AIR(MIXED)	1176279	*	*	1	1
56	SENSOR LOW AMBIENT	1176283	*	*	1	1
57	SENSOR OUTDOOR-AIR TEMPERATURE	1176281	*	*	1	1
A	FILTER AIR	1171230	4	4	4	4
C	BRACKET BASERAIL CORNER	1171071	2	2	2	2
D	BRACKET COIL	1171070	1	1	1	1
G	COVER ASY TOP	1178216	1	1	1	1
J	COVER ASY RETURN AIR	1171181	1	1	1	1
K	COVER ASY SUPPLY	1171182	1	1	1	1
M	GRILLE OUTLET	1171267	2	2	2	2
N	GROMMET	1171270	4	4	4	4
P	GUARD BASERAIL INDOOR END	1171206	1	1	1	1
Q	BRACKET BREAKER	1171063	*	1	*	1
W	PAN ASY CONDENSATE	1171359	1	1	1	1
X	PANEL ACCESS CONTROL BOX	1178289	1	1	1	1
Z	PANEL ASY FILTER LOWER	1171382	1	1	*	*
AA	PANEL ASY DOOR FILTER UPPER	1171386	1	1	*	*
AB	PANEL ASY INDOOR END	1171375	1	1	1	1
AC	PANEL ASY INDOOR FAN	1178224	1	1	1	1

**RAS 7.5 Ton 575v 3 Phase PARTS LIST (continued)**

KEY NO.	DESCRIPTION	FAST PARTS NO.	RAS091LOAA0AAAA	RAS091LOB0AAAA	RAS091LOAB0AAAA	RAS091LOBB0AAAA
AD	PANEL OUTDOOR	1178231	1	1	1	1
AE	PLATE FAN	1171395	1	1	1	1
AF	PLATE FAN	1171396	1	1	1	1
AG	STRAP CAPACITOR	1176134	1	1	1	1
AH	POST ASY CENTER	1178235	1	1	1	1
AJ	POST CENTER CONTROL BOX SIDE	1178290	1	1	1	1
AK	POST CORNER COIL	1178217	1	1	1	1
AL	POST CORNER CONTROL BOX SIDE	1178226	1	1	1	1
AM	INSULATION ASY CORNER POST	1178227	1	1	1	1
AN	CONDUIT	1171428	2	2	2	2
AP	RAIL BASE FILTER ACCESS	1171033	1	1	1	1
AQ	RAIL BASE INDOOR FAN ACCESS	1171031	1	1	1	1
AR	RAIL BASE OUTDOOR END	1171032	1	1	1	1
AV	PLATE ASY MOTOR	1175664	1	1	1	1
AW	SCROLL FAN	1171445	1	1	1	1
BA	BOLT HEX HEAD	1171056	4	4	4	4
BB	SEAL DRAIN LINE ROUND	1171447	1	1	1	1
BC	SUPPORT BRACKET MTR MTG	1175711	1	1	1	1
BD	BRACKET ASY	1175712	2	2	2	2
BE	BLOWER ASY	1172637	1	1	1	1
BF	BASE PAN ASY INDOOR	1171307	1	1	1	1
BG	BASE PAN ASY OUTDOOR	1171024	1	1	1	1
BJ	DECK FAN	1171214	1	1	1	1
BK	BRACKET	1175713	1	1	1	1
BM	HANDLE SNAP-IN PLASTIC	1178036	3	3	3	3
BN	SEAL DRAIN LINE SQUARE	1171202	1	1	1	1
BP	GROMMET WIRE PARTITION	1176613	2	2	2	2
BQ	PLATE ASY COMP MOUNTING	1178234	1	1	1	1
BS	FRAME ASY	1171234	1	1	1	1
BT	RETAINER FILTER	1171239	1	1	1	1
BV	RETAINER FILTER	1171238	1	1	1	1
BW	RETAINER FILTER	1171240	2	2	2	2
BX	BRACKET INDOOR	1175400	1	1	1	1
BY	SUPPORT TRACK	1171472	1	1	1	1
CD	HTR BRACKET	1171304	1	1	1	1
CE	COVER HEATER	1171372	1	1	1	1
CH	PANEL LOWER	1176276	*	*	1	1
CJ	PANEL UPPER	1176277	*	*	1	1
CK	HOOD LF SIDE	MIM0640050A	*	*	1	1
CL	FILTER (AL) (15.31 X 29.44 X 1)	1176284	*	*	1	1
CM	HOOD RT SIDE	MIM0640051A	*	*	1	1
CN	HOOD DIVIDER	MIM0640052A	*	*	1	1
CR	INSULATION ASY CORNER POST	1178215	1	1	1	1
PARTS NOT SHOWN						
)	( PAINT (16-OZ CAN) (STERLING GRAY)	1171357	1	1	1	1
)	( HARNESS ASY IFM	1178229	1	1	1	1
)	( PLUG ASY SHORTING	1171405	1	1	1	1
)	( HARNESS ASY (PAC CONTROL)	1178288	1	1	1	1
)	( HARNESS ASY(CLO1/COMP1) TERM BD	1178160	1	1	1	1
)	( HARNESS ASY (PL6) (ECONOMIZER)	1178162	1	1	1	1

**RAS 8.5 Ton 208/230v 3 Phase PARTS LIST (continued)**

KEY NO.	DESCRIPTION	FAST PARTS NO.	RAS101HOAA0AAAA	RAS101H0BA0AAAA	RAS101HOAB0AAAA	RAS101H0BB0AAAA
01	COMP ZP90KCE-TF5-250	ZP90KCE TF5250	1	1	1	1
03	COIL ASY COND 8.5 TON AL/CU	1178250	1	1	1	1
04	COIL ASY EVAP 8.5 TON AL/CU	1178248	1	1	1	1
05	MTR BLW 3/208-460 1.7 1725	1178210	1	*	1	*
05	MTR BLW 3/208-460 3.7 1725	1175893	*	1	*	1
06	MTR CND 1/230 1/4 1100	1178026	2	2	2	2
07	FAN C 22" 3B 1/2" 24 INT	1178035	2	2	2	2
08	CAP RN OV DUAL 370V 5+5	1175716	1	1	1	1
9	CONTACTOR 2P 30A 24V	1178074	1	1	1	1
10	CONTACTOR 2P 40A 24V	1178211	1	1	1	1
13	TRANS 208/230>24 75VA	1178027	1	1	1	1
14	WHEEL BD15x15x1 REV CV DBL	1171050	1	1	1	1
17	TERMINAL BOARD	1178030	1	1	1	1
20	SWITCH LMT 200-M	1171483	1	1	1	1
38	FILTER DRIER	1177620	1	1	1	1
39	GROUND LUG	1172300	1	1	1	1
41	TERMINAL BLOCK	1175339	1	1	1	1
42	BEARING	1175709	2	2	2	2
43	KEY BLOWER	1171322	1	1	1	1
44	PULLEY BLOWER	1175896	1	*	1	*
44	PULLEY BLOWER	1175315	*	1	*	1
45	PULLEY MOTOR	1175832	1	*	1	*
45	PULLEY MOTOR	1175720	*	1	*	1
46	BELT V	1178255	1	1	1	1
47	SHAFT FAN	1175730	1	1	1	1
48	SWITCH PRESSURE (LPS)	1178029	1	1	1	1
50	SWITCH PRESSURE (HPS)	1178028	1	1	1	1
52	ACTUATOR ECON DAMPER MTR	1176280	*	*	1	1
53	CONTROLLER	1176282	*	*	1	1
54	SHAFT ACTUATOR	1178103	*	*	1	1
55	SENSOR (DISCHARGE)SUPPLY AIR(MIXED)	1176279	*	*	1	1
56	SENSOR LOW AMBIENT	1176283	*	*	1	1
57	SENSOR OUTDOOR-AIR TEMP	1176281	*	*	1	1
A	FILTER AIR	1171231	4	4	4	4
C	BRACKET BASERAIL CORNER	1171071	2	2	2	2
D	BRACKET COIL	1171070	1	1	1	1
G	COVER ASY TOP	1178216	1	1	1	1
J	COVER ASY RETURN AIR	1171180	1	1	1	1
K	COVER ASY SUPPLY	1171182	1	1	1	1
M	GRILLE OUTLET	1171267	2	2	2	2
N	GROMMET	1171270	4	4	4	4
P	GUARD BASERAIL INDOOR END	1171206	1	1	1	1
W	PAN ASY CONDENSATE	1171359	1	1	1	1
X	PANEL ACCESS CONTROL BOX	1178291	1	1	1	1
Z	PANEL ASY FILTER LOWER	1171382	1	1	*	*
AA	PANEL ASY DOOR FILTER UPPER	1171385	1	1	*	*
AB	PANEL ASY INDOOR END	1171308	1	1	1	1
AC	PANEL ASY INDOOR FAN	1178239	1	1	1	1
AD	PANEL OUTDOOR	1178244	1	1	1	1
AE	PLATE FAN	1171227	1	1	1	1
AF	PLATE FAN	1171218	1	1	1	1

**RAS 8.5 Ton 208/230v 3 Phase PARTS LIST (continued)**

KEY NO.	DESCRIPTION	FAST PARTS NO.				
			FAS101H0AA0AAAA	FAS101H0BA0AAAA	FAS101H0A0B0AAAA	FAS101H0B0B0AAAA
AG	STRAP CAPACITOR	1176134	1	1	1	1
AH	POST ASY CENTER	1178253	1	1	1	1
AJ	POST CENTER CONTROL BOX SIDE	1178243	1	1	1	1
AK	POST CORNER COIL	1178252	1	1	1	1
AL	POST CORNER CONTROL BOX SIDE	1178241	1	1	1	1
AM	INSULATION ASY CORNER POST	1178242	1	1	1	1
AN	CONDUIT	1171428	2	2	2	2
AP	RAIL BASE FILTER ACCESS	1171033	1	1	1	1
AQ	RAIL BASE INDOOR FAN ACCESS	1171031	1	1	1	1
AR	RAIL BASE OUTDOOR END	1171032	1	1	1	1
AV	PLATE MOTOR	1175891	1	1	1	1
AW	SCROLL FAN	1171223	1	1	1	1
BA	BOLT HEX HEAD	1171056	4	4	4	4
BB	SEAL DRAIN LINE ROUND	1171447	1	1	1	1
BC	BRACKET	1175911	1	1	1	1
BD	BRACKET ASY	1175712	2	2	2	2
BE	BLOWER ASY	1175411	1	1	1	1
BF	BASE PAN ASY INDOOR	1171307	1	1	1	1
BG	BASE PAN ASY OUTDOOR	1171025	1	1	1	1
BJ	DECK FAN	1171214	1	1	1	1
BK	BRACKET	1175713	1	1	1	1
BM	HANDLE SNAP-IN PLASTIC	1178036	3	3	3	3
BN	SEAL DRAIN LINE SQUARE	1171202	1	1	1	1
BP	GROMMET WIRE PARTITION	1176613	2	2	2	2
BQ	PLATE ASY COMP MOUNTING	1178234	1	1	1	1
BS	FRAME ASY	1171205	1	1	1	1
BT	RETAINER FILTER	1171239	1	1	1	1
BV	RETAINER FILTER	1171238	1	1	1	1
BW	RETAINER FILTER	1171536	2	2	2	2
BX	BRACKET INDOOR	1171119	1	1	1	1
BY	SUPPORT TRACK	1171472	1	1	1	1
CD	HTR BRACKET	1171304	1	1	1	1
CE	COVER HEATER	1171372	1	1	1	1
CH	PANEL LOWER	1178306	*	*	1	1
CJ	PANEL UPPER	1178307	*	*	1	1
CK	HOOD LF SIDE	MIM0640050A	*	*	1	1
CL	FILTER (AL) (15.31 X 29.44 X 1)	1176284	*	*	1	1
CM	HOOD RT SIDE	MIM0640051A	*	*	1	1
CN	HOOD DIVIDER	MIM0640052A	*	*	1	1
CR	INSULATION ASY CORNER POST	1178240	1	1	1	1
CS	BRACKET MOTOR	1175912	2	2	2	2
CT	BRACKET	1175913	1	1	1	1
CV	BOLT ADJUST	1175914	2	2	2	2
PARTS NOT SHOWN						
)	( PAINT (16-OZ CAN) (STERLING GRAY)	1171357	1	1	1	1
)	( HARNESS ASY IFM	1178229	1	1	1	1
)	( PLUG ASY SHORTING	1171405	1	1	1	1
)	( HARNESS ASY (PAC CONTROL)	1178288	1	1	1	1
)	( HARNESS ASY(CLO1/COMP1) TERM BD	1178160	1	1	1	1
)	( HARNESS ASY (PL6) (ECONOMIZER)	1178162	1	1	1	1

**RAS 8.5 Ton 460v 3 Phase PARTS LIST (continued)**

KEY NO.	DESCRIPTION	FAST PARTS NO.	RAS101LOAA0AAAA	RAS101LOB0AAAA	RAS101LOAB0AAAA	RAS101LOBB0AAAA
01	COMP ZP90KCE-TFD-250	ZP90KCETFD250	1	1	1	1
03	COIL ASY COND 8.5 TON AL/CU	1178250	1	1	1	1
04	COIL ASY EVAP 8.5 TON AL/CU	1178248	1	1	1	1
05	MTR BLW 3/208-460 1.7 1725	1178210	1	*	1	*
05	MTR BLW 3/208-460 3.7 1725	1175893	*	1	*	1
06	MTR CND 1/460 1/4 1100	1175525	2	2	2	2
07	FAN C 22" 3B 1/2" 24 INT	1178035	2	2	2	2
08	CAP RN OV DUAL 370V 5+5	1175716	1	1	1	1
10	CONTACTOR 2P 30A 24V	1178074	2	2	2	2
13	TRANS 575>24 75VA	1178077	1	1	1	1
14	WHEEL BD15x15x1 REV CV DBL	1171050	1	1	1	1
17	TERMINAL BOARD	1178030	1	1	1	1
20	SWITCH LMT 200-M	1171483	1	1	1	1
38	FILTER DRIER	1177620	1	1	1	1
39	GROUND LUG	1172300	1	1	1	1
41	TERMINAL BLOCK	1175339	1	1	1	1
42	BEARING	1175709	2	2	2	2
43	KEY BLOWER	1171322	1	1	1	1
44	PULLEY BLOWER	1175896	1	*	1	*
44	PULLEY BLOWER	1175315	*	1	*	1
45	PULLEY MOTOR	1175832	1	*	1	*
45	PULLEY MOTOR	1175720	*	1	*	1
46	BELT V	1178255	1	1	1	1
47	SHAFT FAN	1175730	1	1	1	1
48	SWITCH PRESSURE (LPS)	1178029	1	1	1	1
50	SWITCH PRESSURE (HPS)	1178028	1	1	1	1
52	ACTUATOR DAMPER MOTOR	1176280	*	*	1	1
53	CONTROLLER	1176282	*	*	1	1
54	SHAFT ACTUATOR	1178103	*	*	1	1
55	SENSOR (DISCHARGE)SUPPLY AIR(MIXED)	1176279	*	*	1	1
56	SENSOR LOW AMBIENT	1176283	*	*	1	1
57	SENSOR OUTDOOR-AIR TEMPERATURE	1176281	*	*	1	1
A	FILTER AIR	1171231	4	4	4	4
C	BRACKET BASERAIL CORNER	1171071	2	2	2	2
D	BRACKET COIL	1171070	1	1	1	1
G	COVER ASY TOP	1178216	1	1	1	1
J	COVER ASY RETURN AIR	1171180	1	1	1	1
K	COVER ASY SUPPLY	1171182	1	1	1	1
M	GRILLE OUTLET	1171267	2	2	2	2
N	GROMMET	1171270	4	4	4	4
P	GUARD BASERAIL INDOOR END	1171206	1	1	1	1
W	PAN ASY CONDENSATE	1171359	1	1	1	1
X	PANEL ACCESS CONTROL BOX	1178291	1	1	1	1
Z	PANEL ASY FILTER LOWER	1171382	1	1	*	*
AA	PANEL ASY DOOR FILTER UPPER	1171385	1	1	*	*
AB	PANEL ASY INDOOR END	1171308	1	1	1	1
AC	PANEL ASY INDOOR FAN	1178239	1	1	1	1
AD	PANEL OUTDOOR	1178244	1	1	1	1
AE	PLATE FAN	1171227	1	1	1	1
AF	PLATE FAN	1171218	1	1	1	1
AG	STRAP CAPACITOR	1176134	1	1	1	1



**RAS 8.5 Ton 460v 3 Phase PARTS LIST (continued)**

KEY NO.	DESCRIPTION	FAST PARTS NO.	RAS101LOAA0AAAA	RAS101LOB0AAAA	RAS101LOAB0AAAA	RAS101LOBB0AAAA
AH	POST ASY CENTER	1178253	1	1	1	1
AJ	POST CENTER CONTROL BOX SIDE	1178243	1	1	1	1
AK	POST CORNER COIL	1178252	1	1	1	1
AL	POST CORNER CONTROL BOX SIDE	1178241	1	1	1	1
AM	INSULATION ASY CORNER POST	1178242	1	1	1	1
AN	CONDUIT	1171428	2	2	2	2
AP	RAIL BASE FILTER ACCESS	1171033	1	1	1	1
AQ	RAIL BASE INDOOR FAN ACCESS	1171031	1	1	1	1
AR	RAIL BASE OUTDOOR END	1171032	1	1	1	1
AV	PLATE MOTOR	1175891	1	1	1	1
AW	SCROLL FAN	1171223	1	1	1	1
BA	BOLT HEX HEAD	1171056	4	4	4	4
BB	SEAL DRAIN LINE ROUND	1171447	1	1	1	1
BC	BRACKET	1175911	1	1	1	1
BD	BRACKET ASY	1175712	2	2	2	2
BE	BLOWER ASY	1175411	1	1	1	1
BF	BASE PAN ASY INDOOR	1171307	1	1	1	1
BG	BASE PAN ASY OUTDOOR	1171025	1	1	1	1
BJ	DECK FAN	1171214	1	1	1	1
BK	BRACKET	1175713	1	1	1	1
BM	HANDLE SNAP-IN PLASTIC	1178036	3	3	3	3
BN	SEAL DRAIN LINE SQUARE	1171202	1	1	1	1
BP	GROMMET WIRE PARTITION	1176613	2	2	2	2
BQ	PLATE ASY COMP MOUNTING	1178234	1	1	1	1
BS	FRAME ASY	1171205	1	1	1	1
BT	RETAINER FILTER	1171239	1	1	1	1
BV	RETAINER FILTER	1171238	1	1	1	1
BW	RETAINER FILTER	1171536	2	2	2	2
BX	BRACKET INDOOR	1171119	1	1	1	1
BY	SUPPORT TRACK	1171472	1	1	1	1
CD	HTR BRACKET	1171304	1	1	1	1
CE	COVER HEATER	1171372	1	1	1	1
CH	PANEL LOWER	1176276	*	*	1	1
CJ	PANEL UPPER	1176277	*	*	1	1
CK	HOOD LF SIDE	MIM0640050A	*	*	1	1
CL	FILTER (AL) (15.31 X 29.44 X 1)	1176284	*	*	1	1
CM	HOOD RT SIDE	MIM0640051A	*	*	1	1
CN	HOOD DIVIDER	MIM0640052A	*	*	1	1
CR	INSULATION ASY CORNER POST	1178240	1	1	1	1
CS	BRACKET MOTOR	1175912	2	2	2	2
CT	BRACKET	1175913	1	1	1	1
CV	BOLT ADJUST	1175914	2	2	2	2
PARTS NOT SHOWN						
)	( PAINT (16-OZ CAN) (STERLING GRAY)	1171357	1	1	1	1
)	( HARNESS ASY IFM	1178229	1	1	1	1
)	( PLUG ASY SHORTING	1171405	1	1	1	1
)	( HARNESS ASY (PAC CONTROL)	1178288	1	1	1	1
)	( HARNESS ASY(CLO1/COMP1) TERM BD	1178160	1	1	1	1
)	( HARNESS ASY (PL6) (ECONOMIZER)	1178162	1	1	1	1

**RAS 8.5 Ton 575v 3 Phase PARTS LIST (continued)**

KEY NO.	DESCRIPTION	FAST PARTS NO.	RAS101S0A0A0AAAA	RAS101S0B0A0AAAA	RAS101S0A0B0AAAA	RAS101S0B0B0AAAA
01	COMP ZP90KCE-TFE-250	ZP90KCETFE250	1	1	1	1
03	COIL ASY COND 8.5 TON AL/CU	1178250	1	1	1	1
04	COIL ASY EVAP 8.5 TON AL/CU	1178248	1	1	1	1
05	MTR BLW 3/575 1.7 1725	1178259	1	*	1	*
05	MTR BLW 3/575 3.7 1725	1178090	*	1	*	1
06	MTR CND 1/575 1/4 1100	1175840	2	2	2	2
07	FAN C 22" 3B 1/2" 24 INT	1178035	2	2	2	2
08	CAP RN OV DUAL 370V 5+5	1175716	1	1	1	1
10	CONTACTOR 2P 30A 24V	1178074	2	2	2	2
13	TRANS 575>24 75VA	1177852	1	1	1	1
14	WHEEL BD15x15x1 REV CV DBL	1171050	1	1	1	1
17	TERMINAL BOARD	1178030	1	1	1	1
20	SWITCH LMT 200-M	1171483	1	1	1	1
38	FILTER DRIER	1177620	1	1	1	1
39	GROUND LUG	1172300	1	1	1	1
41	TERMINAL BLOCK	1175339	1	1	1	1
42	BEARING	1175709	2	2	2	2
43	KEY BLOWER	1171322	1	1	1	1
44	PULLEY BLOWER	1175896	1	*	1	*
44	PULLEY BLOWER	1175315	*	1	*	1
45	PULLEY MOTOR	1175832	1	*	1	*
45	PULLEY MOTOR	1175720	*	1	*	1
46	BELT V	1178255	1	1	1	1
47	SHAFT FAN	1175730	1	1	1	1
48	SWITCH PRESSURE (LPS)	1178029	1	1	1	1
50	SWITCH PRESSURE (HPS)	1178028	1	1	1	1
52	ACTUATOR DAMPER MOTOR	1176280	*	*	1	1
53	CONTROLLER	1176282	*	*	1	1
54	SHAFT ACTUATOR	1178103	*	*	1	1
55	SENSOR (DISCHARGE)SUPPLY AIR(MIXED)	1176279	*	*	1	1
56	SENSOR LOW AMBIENT	1176283	*	*	1	1
57	SENSOR OUTDOOR-AIR TEMPERATURE	1176281	*	*	1	1
A	FILTER AIR	1171231	4	4	4	4
C	BRACKET BASERAIL CORNER	1171071	2	2	2	2
D	BRACKET COIL	1171070	1	1	1	1
G	COVER ASY TOP	1178216	1	1	1	1
J	COVER ASY RETURN AIR	1171180	1	1	1	1
K	COVER ASY SUPPLY	1171182	1	1	1	1
M	GRILLE OUTLET	1171267	2	2	2	2
N	GROMMET	1171270	4	4	4	4
P	GUARD BASERAIL INDOOR END	1171206	1	1	1	1
W	PAN ASY CONDENSATE	1171359	1	1	1	1
X	PANEL ACCESS CONTROL BOX	1178291	1	1	1	1
Z	PANEL ASY FILTER LOWER	1171382	1	1	*	*
AA	PANEL ASY DOOR FILTER UPPER	1171385	1	1	*	*
AB	PANEL ASY INDOOR END	1171308	1	1	1	1
AC	PANEL ASY INDOOR FAN	1178239	1	1	1	1
AD	PANEL OUTDOOR	1178244	1	1	1	1
AE	PLATE FAN	1171227	1	1	1	1
AF	PLATE FAN	1171218	1	1	1	1
AG	STRAP CAPACITOR	1176134	1	1	1	1

**RAS 8.5 Ton 575v 3 Phase PARTS LIST (continued)**

KEY NO.	DESCRIPTION	FAST PARTS NO.	RAS101S0AA0AAAA	RAS101S0BA0AAAA	RAS101S0AB0AAAA	RAS101S0BB0AAAA
AH	POST ASY CENTER	1178253	1	1	1	1
AJ	POST CENTER CONTROL BOX SIDE	1178243	1	1	1	1
AK	POST CORNER COIL	1178252	1	1	1	1
AL	POST CORNER CONTROL BOX SIDE	1178241	1	1	1	1
AM	INSULATION ASY CORNER POST	1178242	1	1	1	1
AN	CONDUIT	1171428	2	2	2	2
AP	RAIL BASE FILTER ACCESS	1171033	1	1	1	1
AQ	RAIL BASE INDOOR FAN ACCESS	1171031	1	1	1	1
AR	RAIL BASE OUTDOOR END	1171032	1	1	1	1
AV	PLATE MOTOR	1175891	1	1	1	1
AW	SCROLL FAN	1171223	1	1	1	1
BA	BOLT HEX HEAD	1171056	4	4	4	4
BB	SEAL DRAIN LINE ROUND	1171447	1	1	1	1
BC	BRACKET	1175911	1	1	1	1
BD	BRACKET ASY	1175712	2	2	2	2
BE	BLOWER ASY	1175411	1	1	1	1
BF	BASE PAN ASY INDOOR	1171307	1	1	1	1
BG	BASE PAN ASY OUTDOOR	1171025	1	1	1	1
BJ	DECK FAN	1171214	1	1	1	1
BK	BRACKET	1175713	1	1	1	1
BM	HANDLE SNAP-IN PLASTIC	1178036	3	3	3	3
BN	SEAL DRAIN LINE SQUARE	1171202	1	1	1	1
BP	GROMMET WIRE PARTITION	1176613	2	2	2	2
BQ	PLATE ASY COMP MOUNTING	1178234	1	1	1	1
BS	FRAME ASY	1171205	1	1	1	1
BT	RETAINER FILTER	1171239	1	1	1	1
BV	RETAINER FILTER	1171238	1	1	1	1
BW	RETAINER FILTER	1171536	2	2	2	2
BX	BRACKET INDOOR	1171119	1	1	1	1
BY	SUPPORT TRACK	1171472	1	1	1	1
CD	HTR BRACKET	1171304	1	1	1	1
CE	COVER HEATER	1171372	1	1	1	1
CH	PANEL LOWER	1176276	*	*	1	1
CJ	PANEL UPPER	1176277	*	*	1	1
CK	HOOD LF SIDE	MIM0640050A	*	*	1	1
CL	FILTER (AL) (15.31 X 29.44 X 1)	1176284	*	*	1	1
CM	HOOD RT SIDE	MIM0640051A	*	*	1	1
CN	HOOD DIVIDER	MIM0640052A	*	*	1	1
CR	INSULATION ASY CORNER POST	1178240	1	1	1	1
CS	BRACKET MOTOR	1175912	2	2	2	2
CT	BRACKET	1175913	1	1	1	1
CV	BOLT ADJUST	1175914	2	2	2	2
PARTS NOT SHOWN						
)	( PAINT (16-OZ CAN) (STERLING GRAY)	1171357	1	1	1	1
)	( HARNESS ASY IFM	1178229	1	1	1	1
)	( PLUG ASY SHORTING	1171405	1	1	1	1
)	( HARNESS ASY (PAC CONTROL)	1178288	1	1	1	1
)	( HARNESS ASY(CLO1/COMP1) TERM BD	1178160	1	1	1	1
)	( HARNESS ASY (PL6) (ECONOMIZER)	1178162	1	1	1	1

**RAS 10 Ton 208/330v 3 Phase PARTS LIST (continued)**

KEY NO.	DESCRIPTION	FAST PARTS NO.				
			RAS121HOAA0AAAA	RAS121H0BA0AAAA	RAS121HOAB0AAAA	RAS121H0BB0AAAA
01	COMP ZP103KCE-TF5-250	ZP103KCETF5250	1	1	1	1
02	HTR CC WP 90W240V CH255	1178247	1	1	1	1
03	COIL ASY COND 10 TON AL/CU	1178251	1	1	1	1
04	COIL ASY EVAP 10 TON AL/CU	1178249	1	1	1	1
05	MTR BLW 3/208-460 2.4 1750	1175478	1	*	1	*
05	MTR BLW 3/208-460 5.25 1740	1176645	*	1	*	1
06	MTR CND 1/230 1/4 1100	1178026	2	2	2	2
07	FAN C 22" 3B 1/2" 24 INT	1178035	2	2	2	2
08	CAP RN OV DUAL 370V 5+5	1175716	1	1	1	1
9	CONTACTOR 2P 30A 24V	1178074	1	1	1	1
10	CONTACTOR 2P 40A 24V	1178211	1	1	1	1
13	TRANS 208/230>24 75VA	1178027	1	1	1	1
14	WHEEL BD15x15x1 REV CV DBL	1171050	1	1	1	1
17	TERMINAL BOARD	1178030	1	1	1	1
20	SWITCH LMT 200-M	1171483	1	1	1	1
38	FILTER DRIER	1177620	1	1	1	1
39	GROUND LUG	1172300	1	1	1	1
40	CAP RN OV 370V 4	1175500	1	1	1	1
41	TERMINAL BLOCK	1175339	1	1	1	1
42	BEARING	1175709	2	2	2	2
43	KEY BLOWER	1171322	1	1	1	1
44	PULLEY BLOWER	1175315	1	*	1	*
44	PULLEY BLOWER	1175896	*	1	*	1
45	PULLEY MOTOR	1175832	1	*	1	*
45	PULLEY MOTOR	1178133	*	1	*	1
46	BELT V AX48	1178222	1	*	1	*
46	BELT V AX54	1178182	*	1	*	1
47	SHAFT FAN	1175730	1	1	1	1
48	SWITCH PRESSURE (LPS)	1178029	1	1	1	1
50	SWITCH PRESSURE (HPS)	1178028	1	1	1	1
51	BREAKER 15A 3 POLE 240V	1171080	*	1	*	1
52	ACTUATOR ECON DAMPER MTR	1176280	*	*	1	1
53	CONTROLLER	1176282	*	*	1	1
54	SHAFT ACTUATOR	1178103	*	*	1	1
55	SENSOR (DISCHARGE)SUPPLY AIR(MIXED)	1176279	*	*	1	1
56	SENSOR LOW AMBIENT	1176283	*	*	1	1
57	SENSOR OUTDOOR-AIR TEMP	1176281	*	*	1	1
A	FILTER AIR	1171231	4	4	4	4
C	BRACKET BASERAIL CORNER	1171071	2	2	2	2
D	BRACKET COIL	1171070	1	1	1	1
G	COVER ASY TOP	1178216	1	1	1	1
J	COVER ASY RETURN AIR	1171180	1	1	1	1
K	COVER ASY SUPPLY	1171182	1	1	1	1
M	GRILLE OUTLET	1171267	2	2	2	2
N	GROMMET	1171270	4	4	4	4
P	GUARD BASERAIL INDOOR END	1171206	1	1	1	1
Q	BRACKET BREAKER	1171063	*	1	*	1
W	PAN ASY CONDENSATE	1171359	1	1	1	1
X	PANEL ACCESS CONTROL BOX	1178291	1	1	1	1
Z	PANEL ASY FILTER LOWER	1171382	1	1	*	*
AA	PANEL ASY DOOR FILTER UPPER	1171385	1	1	*	*

**RAS 10 Ton 208/330v 3 Phase PARTS LIST (continued)**

KEY NO.	DESCRIPTION	FAST PARTS NO.	RAS121H0AA0AAAA	RAS121H0BA0AAAA	RAS121H0AB0AAAA	RAS121H0BB0AAAA
AB	PANEL ASY INDOOR END	1171308	1	1	1	1
AC	PANEL ASY INDOOR FAN	1178239	1	1	1	1
AD	PANEL OUTDOOR	1178245	1	1	1	1
AE	PLATE FAN	1171227	1	1	1	1
AF	PLATE FAN	1171218	1	1	1	1
AG	STRAP CAPACITOR	1176134	1	1	1	1
AH	POST ASY CENTER	1178253	1	1	1	1
AJ	POST CENTER CONTROL BOX SIDE	1178243	1	1	1	1
AK	POST CORNER COIL	1178252	1	1	1	1
AL	POST CORNER CONTROL BOX SIDE	1178241	1	1	1	1
AM	INSULATION ASY CORNER POST	1178242	1	1	1	1
AN	CONDUIT	1171428	2	2	2	2
AP	RAIL BASE FILTER ACCESS	1171033	1	1	1	1
AQ	RAIL BASE INDOOR FAN ACCESS	1171031	1	1	1	1
AR	RAIL BASE OUTDOOR END	1171032	1	1	1	1
AV	PLATE MOTOR	1175891	1	1	1	1
AW	SCROLL FAN	1171223	1	1	1	1
BA	BOLT HEX HEAD	1171056	4	4	4	4
BB	SEAL DRAIN LINE ROUND	1171447	1	1	1	1
BC	BRACKET	1175911	1	1	1	1
BD	BRACKET ASY	1175712	2	2	2	2
BE	BLOWER ASY	1175411	1	1	1	1
BF	BASE PAN ASY INDOOR	1171307	1	1	1	1
BG	BASE PAN ASY OUTDOOR	1171025	1	1	1	1
BJ	DECK FAN	1171214	1	1	1	1
BK	BRACKET	1175713	1	1	1	1
BL	PANEL ACCESS	1178230	1	1	1	1
BM	HANDLE SNAP-IN PLASTIC	1178036	3	3	3	3
BN	SEAL DRAIN LINE SQUARE	1171202	1	1	1	1
BP	GROMMET WIRE PARTITION	1176613	2	2	2	2
BQ	PLATE ASY COMP MOUNTING	1178234	1	1	1	1
BS	FRAME ASY	1171205	1	1	1	1
BT	RETAINER FILTER	1171239	1	1	1	1
BV	RETAINER FILTER	1171238	1	1	1	1
BW	RETAINER FILTER	1171536	2	2	2	2
BX	BRACKET INDOOR	1171119	1	1	1	1
BY	SUPPORT TRACK	1171472	1	1	1	1
CD	HTR BRACKET	1171304	1	1	1	1
CE	COVER HEATER	1171372	1	1	1	1
CH	PANEL LOWER	1178306	*	*	1	1
CJ	PANEL UPPER	1178307	*	*	1	1
CK	HOOD LF SIDE	MIM0640050A	*	*	1	1
CL	FILTER (AL) (15.31 X 29.44 X 1)	1176284	*	*	1	1
CM	HOOD RT SIDE	MIM0640051A	*	*	1	1
CN	HOOD DIVIDER	MIM0640052A	*	*	1	1
CR	INSULATION ASY CORNER POST	1178240	1	1	1	1
CS	BRACKET MOTOR	1175912	2	2	2	2
CT	BRACKET	1175913	1	1	1	1
CV	BOLT ADJUST	1175914	2	2	2	2
PARTS NOT SHOWN						
(	HARNESS ASY IFM	1178229	1	1	1	1

**RAS 10 Ton 208/330v 3 Phase PARTS LIST (continued)**

KEY NO.	DESCRIPTION	FAST PARTS NO.	RAS121H0AA0AAAA	RAS121H0BA0AAAA	RAS121H0AB0AAAA	RAS121H0BB0AAAA
)(	PLUG ASY SHORTING	1171405	1	1	1	1
)(	HARNESS ASY (PAC CONTROL)	1178288	1	1	1	1
)(	PAINT (16-OZ CAN) (STERLING GRAY)	1171357	1	1	1	1
)(	HARNESS ASY(CLO1/COMP1) TERM BD	1178160	1	1	1	1
)(	HARNESS ASY (PL6) (ECONOMIZER)	1178162	1	1	1	1

**RAS 10 Ton 460v 3 Phase PARTS LIST (continued)**

KEY NO.	DESCRIPTION	FAST PARTS NO.	RAS121L0AA0AAAA	RAS121L0BA0AAAA	RAS121L0AB0AAAA	RAS121L0BB0AAAA
01	COMP ZP103KCE-TFD-250	ZP103KCETFD250	1	1	1	1
02	HTR CC WP 90W480V CH255-3	1178257	1	1	1	1
03	COIL ASY COND 10 TON AL/CU	1178251	1	1	1	1
04	COIL ASY EVAP 10 TON AL/CU	1178249	1	1	1	1
05	MTR BLW 3/208-460 2.4 1750	1175478	1	*	1	*
05	MTR BLW 3/208-460 5.25 1740	1176645	*	1	*	1
06	MTR CND 1/460 1/4 1100	1175525	2	2	2	2
07	FAN C 22" 3B 1/2" 24 INT	1178035	2	2	2	2
08	CAP RN OV DUAL 370V 5+5	1175716	1	1	1	1
9	CONTACTOR 2P 30A 24V	1178074	1	1	1	1
10	CONTACTOR 2P 40A 24V	1178211	1	1	1	1
13	TRANS 208/230>24 75VA	1178027	1	1	1	1
14	WHEEL BD15x15x1 REV CV DBL	1171050	1	1	1	1
17	TERMINAL BOARD	1178030	1	1	1	1
20	SWITCH LMT 200-M	1171483	1	1	1	1
38	FILTER DRIER	1177620	1	1	1	1
39	GROUND LUG	1172300	1	1	1	1
40	CAP RN OV 370V 4	1175500	1	1	1	1
41	TERMINAL BLOCK	1175339	1	1	1	1
42	BEARING	1175709	2	2	2	2
43	KEY BLOWER	1171322	1	1	1	1
44	PULLEY BLOWER	1175315	1	*	1	*
44	PULLEY BLOWER	1175896	*	1	*	1
45	PULLEY MOTOR	1175832	1	*	1	*
45	PULLEY MOTOR	1178133	*	1	*	1
46	BELT V AX48	1178222	1	*	1	*
46	BELT V AX54	1178182	*	1	*	1
47	SHAFT FAN	1175730	1	1	1	1
48	SWITCH PRESSURE (LPS)	1178029	1	1	1	1
50	SWITCH PRESSURE (HPS)	1178028	1	1	1	1
51	BREAKER 15A 3 POLE 240V	1171080	*	1	*	1
52	ACTUATOR DAMPER MOTOR	1176280	*	*	1	1
53	CONTROLLER	1176282	*	*	1	1
54	SHAFT ACTUATOR	1178103	*	*	1	1
55	SENSOR (DISCHARGE)SUPPLY AIR(MIXED)	1176279	*	*	1	1
56	SENSOR LOW AMBIENT	1176283	*	*	1	1
57	SENSOR OUTDOOR-AIR TEMPERATURE	1176281	*	*	1	1
A	FILTER AIR	1171231	4	4	4	4
C	BRACKET BASERAIL CORNER	1171071	2	2	2	2
D	BRACKET COIL	1171070	1	1	1	1
G	COVER ASY TOP	1178216	1	1	1	1
J	COVER ASY RETURN AIR	1171180	1	1	1	1
K	COVER ASY SUPPLY	1171182	1	1	1	1
M	GRILLE OUTLET	1171267	2	2	2	2
N	GROMMET	1171270	4	4	4	4
P	GUARD BASERAIL INDOOR END	1171206	1	1	1	1
Q	BRACKET BREAKER	1171063	*	1	*	1
W	PAN ASY CONDENSATE	1171359	1	1	1	1
X	PANEL ACCESS CONTROL BOX	1178291	1	1	1	1
Z	PANEL ASY FILTER LOWER	1171382	1	1	*	*
AA	PANEL ASY DOOR FILTER UPPER	1171385	1	1	*	*

**RAS 10 Ton 460v 3 Phase PARTS LIST (continued)**

KEY NO.	DESCRIPTION	FAST PARTS NO.	RAS121LOAA0AAAA	RAS121LOB0AAAA	RAS121LOAB0AAAA	RAS121LOBB0AAAA
AB	PANEL ASY INDOOR END	1171308	1	1	1	1
AC	PANEL ASY INDOOR FAN	1178239	1	1	1	1
AD	PANEL OUTDOOR	1178245	1	1	1	1
AE	PLATE FAN	1171227	1	1	1	1
AF	PLATE FAN	1171218	1	1	1	1
AG	STRAP CAPACITOR	1176134	1	1	1	1
AH	POST ASY CENTER	1178253	1	1	1	1
AJ	POST CENTER CONTROL BOX SIDE	1178243	1	1	1	1
AK	POST CORNER COIL	1178252	1	1	1	1
AL	POST CORNER CONTROL BOX SIDE	1178241	1	1	1	1
AM	INSULATION ASY CORNER POST	1178242	1	1	1	1
AN	CONDUIT	1171428	2	2	2	2
AP	RAIL BASE FILTER ACCESS	1171033	1	1	1	1
AQ	RAIL BASE INDOOR FAN ACCESS	1171031	1	1	1	1
AR	RAIL BASE OUTDOOR END	1171032	1	1	1	1
AV	PLATE MOTOR	1175891	1	1	1	1
AW	SCROLL FAN	1171223	1	1	1	1
BA	BOLT HEX HEAD	1171056	4	4	4	4
BB	SEAL DRAIN LINE ROUND	1171447	1	1	1	1
BC	BRACKET	1175911	1	1	1	1
BD	BRACKET ASY	1175712	2	2	2	2
BE	BLOWER ASY	1175411	1	1	1	1
BF	BASE PAN ASY INDOOR	1171307	1	1	1	1
BG	BASE PAN ASY OUTDOOR	1171025	1	1	1	1
BJ	DECK FAN	1171214	1	1	1	1
BK	BRACKET	1175713	1	1	1	1
BL	PANEL ACCESS	1178230	1	1	1	1
BM	HANDLE SNAP-IN PLASTIC	1178036	3	3	3	3
BN	SEAL DRAIN LINE SQUARE	1171202	1	1	1	1
BP	GROMMET WIRE PARTITION	1176613	2	2	2	2
BQ	PLATE ASY COMP MOUNTING	1178234	1	1	1	1
BS	FRAME ASY	1171205	1	1	1	1
BT	RETAINER FILTER	1171239	1	1	1	1
BV	RETAINER FILTER	1171238	1	1	1	1
BW	RETAINER FILTER	1171536	2	2	2	2
BX	BRACKET INDOOR	1171119	1	1	1	1
BY	SUPPORT TRACK	1171472	1	1	1	1
CD	HTR BRACKET	1171304	1	1	1	1
CE	COVER HEATER	1171372	1	1	1	1
CH	PANEL LOWER	1176276	*	*	1	1
CJ	PANEL UPPER	1176277	*	*	1	1
CK	HOOD LF SIDE	MIM0640050A	*	*	1	1
CL	FILTER (AL) (15.31 X 29.44 X 1)	1176284	*	*	1	1
CM	HOOD RT SIDE	MIM0640051A	*	*	1	1
CN	HOOD DIVIDER	MIM0640052A	*	*	1	1
CR	INSULATION ASY CORNER POST	1178240	1	1	1	1
CS	BRACKET MOTOR	1175912	2	2	2	2
CT	BRACKET	1175913	1	1	1	1
CV	BOLT ADJUST	1175914	2	2	2	2
PARTS NOT SHOWN						
)	( PAINT (16-OZ CAN) (STERLING GRAY)	1171357	1	1	1	1



**RAS 10 Ton 460v 3 Phase PARTS LIST (continued)**

KEY NO.	DESCRIPTION	FAST PARTS NO.	RAS121LOAA0AAAA	RAS121LOB0AAAA	RAS121LOAB0AAAA	RAS121LOBB0AAAA
)(	HARNESS ASY IFM	1178229	1	1	1	1
)(	PLUG ASY SHORTING	1171405	1	1	1	1
)(	HARNESS ASY (PAC CONTROL)	1178288	1	1	1	1
)(	HARNESS ASY(CLO1/COMP1) TERM BD	1178160	1	1	1	1
)(	HARNESS ASY (PL6) (ECONOMIZER)	1178162	1	1	1	1

**RAS 10 Ton 575v 3 Phase PARTS LIST (continued)**

KEY NO.	DESCRIPTION	FAST PARTS NO.	RAS121S0AA0AAAA	RAS121S0BA0AAAA	RAS121S0AB0AAAA	RAS121S0BB0AAAA
01	COMP ZP103KCE-TFE-250	ZP103KCETFE250	1	1	1	1
02	HTR CC WP 90W575V CH255-6	1178260	1	1	1	1
03	COIL ASY COND 10 TON AL/CU	1178251	1	1	1	1
04	COIL ASY EVAP 10 TON AL/CU	1178249	1	1	1	1
05	MTR BLW 3/575 2.4 1725	1175717	1	*	1	*
05	MTR BLW 3/575 5.25 1725	1176644	*	1	*	1
06	MTR CND 1/575 1/4 1100	1175840	2	2	2	2
07	FAN C 22" 3B 1/2" 24 INT	1178035	2	2	2	2
08	CAP RN OV DUAL 370V 5+5	1175716	1	1	1	1
9	CONTACTOR 2P 30A 24V	1178074	1	1	1	1
10	CONTACTOR 2P 40A 24V	1178211	1	1	1	1
13	TRANS 575>24 75VA	1177852	1	1	1	1
14	WHEEL BD15x15x1 REV CV DBL	1171050	1	1	1	1
17	TERMINAL BOARD	1178030	1	1	1	1
20	SWITCH LMT 200-M	1171483	1	1	1	1
38	FILTER DRIER	1177620	1	1	1	1
39	GROUND LUG	1172300	1	1	1	1
40	CAP RN OV 370V 4	1175500	1	1	1	1
41	TERMINAL BLOCK	1175339	1	1	1	1
42	BEARING	1175709	2	2	2	2
43	KEY BLOWER	1171322	1	1	1	1
44	PULLEY BLOWER	1175315	1	*	1	*
44	PULLEY BLOWER	1175896	*	1	*	1
45	PULLEY MOTOR	1175832	1	*	1	*
45	PULLEY MOTOR	1178133	*	1	*	1
46	BELT V AX48	1178222	1	*	1	*
46	BELT V AX54	1178182	*	1	*	1
47	SHAFT FAN	1175730	1	1	1	1
48	SWITCH PRESSURE (LPS)	1178029	1	1	1	1
50	SWITCH PRESSURE (HPS)	1178028	1	1	1	1
51	BREAKER 6A 3 POLE 600V	1171817	*	1	*	1
52	ACTUATOR DAMPER MOTOR	1176280	*	*	1	1
53	CONTROLLER	1176282	*	*	1	1
54	SHAFT ACTUATOR	1178103	*	*	1	1
55	SENSOR (DISCHARGE)SUPPLY AIR(MIXED)	1176279	*	*	1	1
56	SENSOR LOW AMBIENT	1176283	*	*	1	1
57	SENSOR OUTDOOR-AIR TEMPERATURE	1176281	*	*	1	1
A	FILTER AIR	1171231	4	4	4	4
C	BRACKET BASERAIL CORNER	1171071	2	2	2	2
D	BRACKET COIL	1171070	1	1	1	1
G	COVER ASY TOP	1178216	1	1	1	1
J	COVER ASY RETURN AIR	1171180	1	1	1	1
K	COVER ASY SUPPLY	1171182	1	1	1	1
M	GRILLE OUTLET	1171267	2	2	2	2
N	GROMMET	1171270	4	4	4	4
P	GUARD BASERAIL INDOOR END	1171206	1	1	1	1
Q	BRACKET BREAKER	1171063	*	1	*	1
W	PAN ASY CONDENSATE	1171359	1	1	1	1
X	PANEL ACCESS CONTROL BOX	1178291	1	1	1	1
Z	PANEL ASY FILTER LOWER	1171382	1	1	*	*
AA	PANEL ASY DOOR FILTER UPPER	1171385	1	1	*	*

**RAS 10 Ton 575v 3 Phase PARTS LIST (continued)**

KEY NO.	DESCRIPTION	FAST PARTS NO.	RAS121S0AA0AAAA	RAS121S0BA0AAAA	RAS121S0AB0AAAA	RAS121S0BB0AAAA
AB	PANEL ASY INDOOR END	1171308	1	1	1	1
AC	PANEL ASY INDOOR FAN	1178239	1	1	1	1
AD	PANEL OUTDOOR	1178245	1	1	1	1
AE	PLATE FAN	1171227	1	1	1	1
AF	PLATE FAN	1171218	1	1	1	1
AG	STRAP CAPACITOR	1176134	1	1	1	1
AH	POST ASY CENTER	1178253	1	1	1	1
AJ	POST CENTER CONTROL BOX SIDE	1178243	1	1	1	1
AK	POST CORNER COIL	1178252	1	1	1	1
AL	POST CORNER CONTROL BOX SIDE	1178241	1	1	1	1
AM	INSULATION ASY CORNER POST	1178242	1	1	1	1
AN	CONDUIT	1171428	2	2	2	2
AP	RAIL BASE FILTER ACCESS	1171033	1	1	1	1
AQ	RAIL BASE INDOOR FAN ACCESS	1171031	1	1	1	1
AR	RAIL BASE OUTDOOR END	1171032	1	1	1	1
AV	PLATE MOTOR	1175891	1	1	1	1
AW	SCROLL FAN	1171223	1	1	1	1
BA	BOLT HEX HEAD	1171056	4	4	4	4
BB	SEAL DRAIN LINE ROUND	1171447	1	1	1	1
BC	BRACKET	1175911	1	1	1	1
BD	BRACKET ASY	1175712	2	2	2	2
BE	BLOWER ASY	1175411	1	1	1	1
BF	BASE PAN ASY INDOOR	1171307	1	1	1	1
BG	BASE PAN ASY OUTDOOR	1171025	1	1	1	1
BJ	DECK FAN	1171214	1	1	1	1
BK	BRACKET	1175713	1	1	1	1
BL	PANEL ACCESS	1178230	1	1	1	1
BM	HANDLE SNAP-IN PLASTIC	1178036	3	3	3	3
BN	SEAL DRAIN LINE SQUARE	1171202	1	1	1	1
BP	GROMMET WIRE PARTITION	1176613	2	2	2	2
BQ	PLATE ASY COMP MOUNTING	1178234	1	1	1	1
BS	FRAME ASY	1171205	1	1	1	1
BT	RETAINER FILTER	1171239	1	1	1	1
BV	RETAINER FILTER	1171238	1	1	1	1
BW	RETAINER FILTER	1171536	2	2	2	2
BX	BRACKET INDOOR	1171119	1	1	1	1
BY	SUPPORT TRACK	1171472	1	1	1	1
CD	HTR BRACKET	1171304	1	1	1	1
CE	COVER HEATER	1171372	1	1	1	1
CH	PANEL LOWER	1176276	*	*	1	1
CJ	PANEL UPPER	1176277	*	*	1	1
CK	HOOD LF SIDE	MIM0640050A	*	*	1	1
CL	FILTER (AL) (15.31 X 29.44 X 1)	1176284	*	*	1	1
CM	HOOD RT SIDE	MIM0640051A	*	*	1	1
CN	HOOD DIVIDER	MIM0640052A	*	*	1	1
CR	INSULATION ASY CORNER POST	1178240	1	1	1	1
CS	BRACKET MOTOR	1175912	2	2	2	2
CT	BRACKET	1175913	1	1	1	1
CV	BOLT ADJUST	1175914	2	2	2	2
PARTS NOT SHOWN						
(	PAINT (16-OZ CAN) (STERLING GRAY)	1171357	1	1	1	1

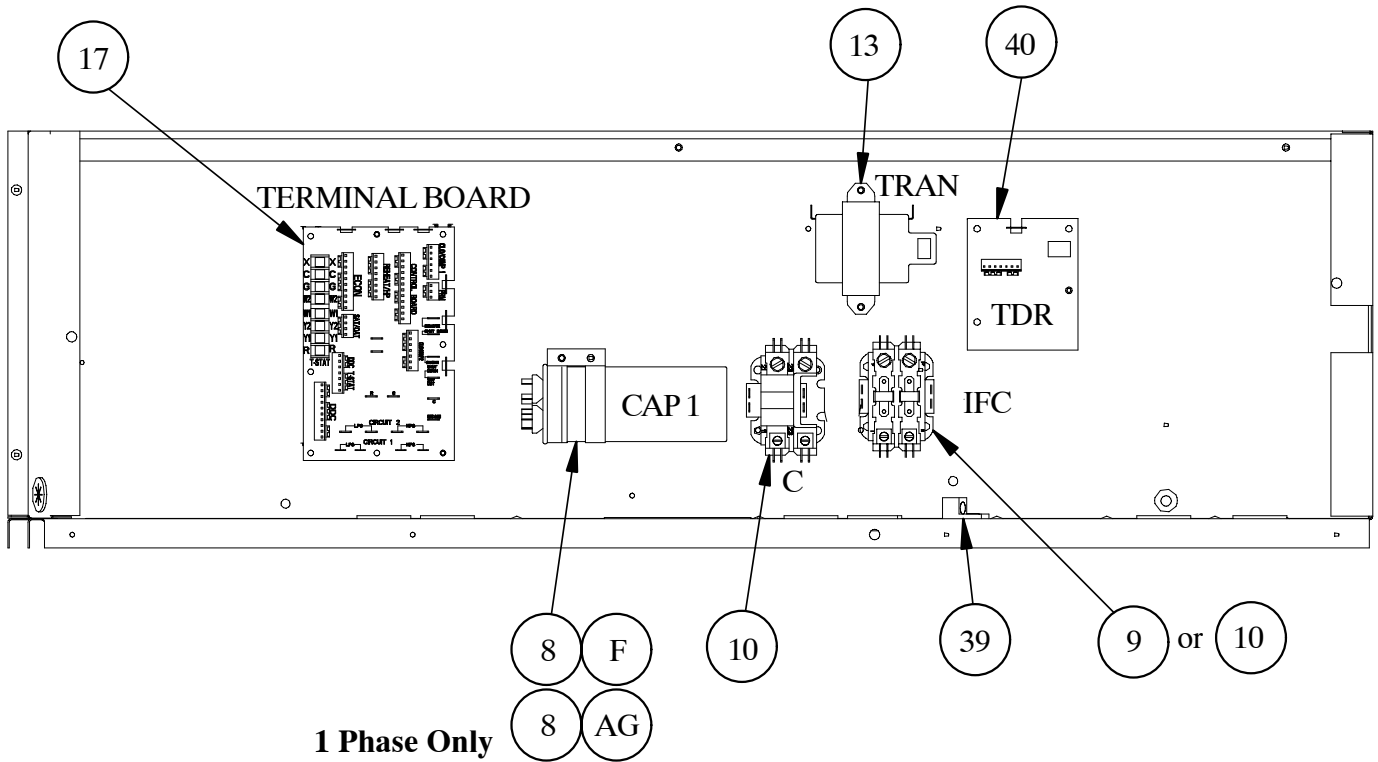
**RAS 10 Ton 575v 3 Phase PARTS LIST (continued)**

KEY NO.	DESCRIPTION	FAST PARTS NO.	RAS121S0AA0AAAA	RAS121S0BA0AAAA	RAS121S0AB0AAAA	RAS121S0BB0AAAA
)(	HARNESS ASY IFM	1178229	1	1	1	1
)(	PLUG ASY SHORTING	1171405	1	1	1	1
)(	HARNESS ASY (PAC CONTROL)	1178288	1	1	1	1
)(	HARNESS ASY(CLO1/COMP1) TERM BD	1178160	1	1	1	1
)(	HARNESS ASY (PL6) (ECONOMIZER)	1178162	1	1	1	1

# RAS 3 - 6 Ton

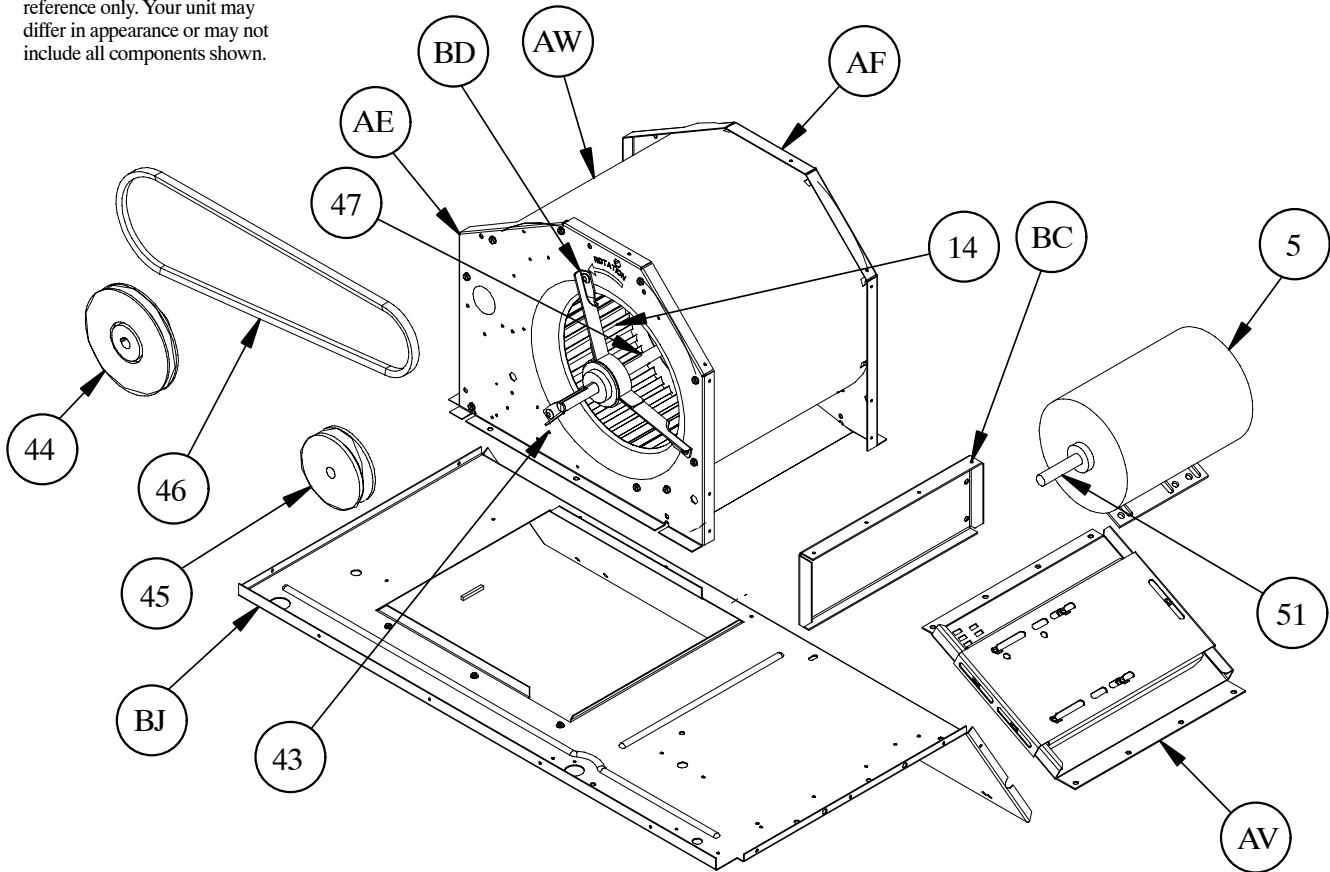
NOTE: This illustration is for reference only. Your unit may differ in appearance or may not include all components shown.

## RAS CONTROL - BOX ASY



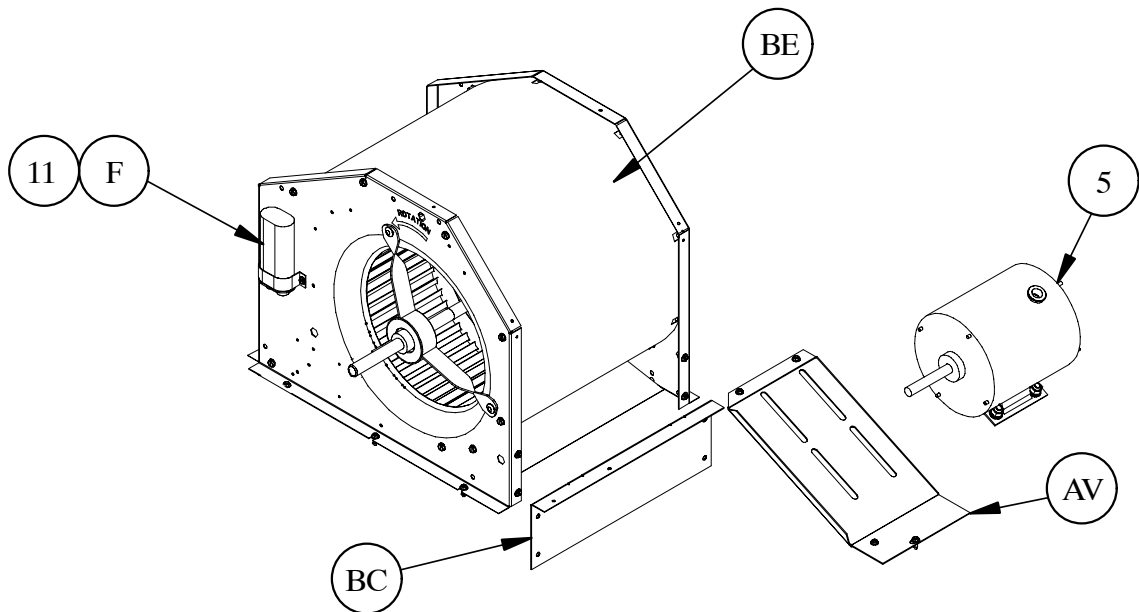
### RAS 3 - 6 Ton

NOTE: This illustration is for reference only. Your unit may differ in appearance or may not include all components shown.



**INDOOR BLOWER FOR 6 TON UNITS  
3, 4 & 5 TON HIGH STATIC MODELS**

**BELT DRIVE FAN PARTS**

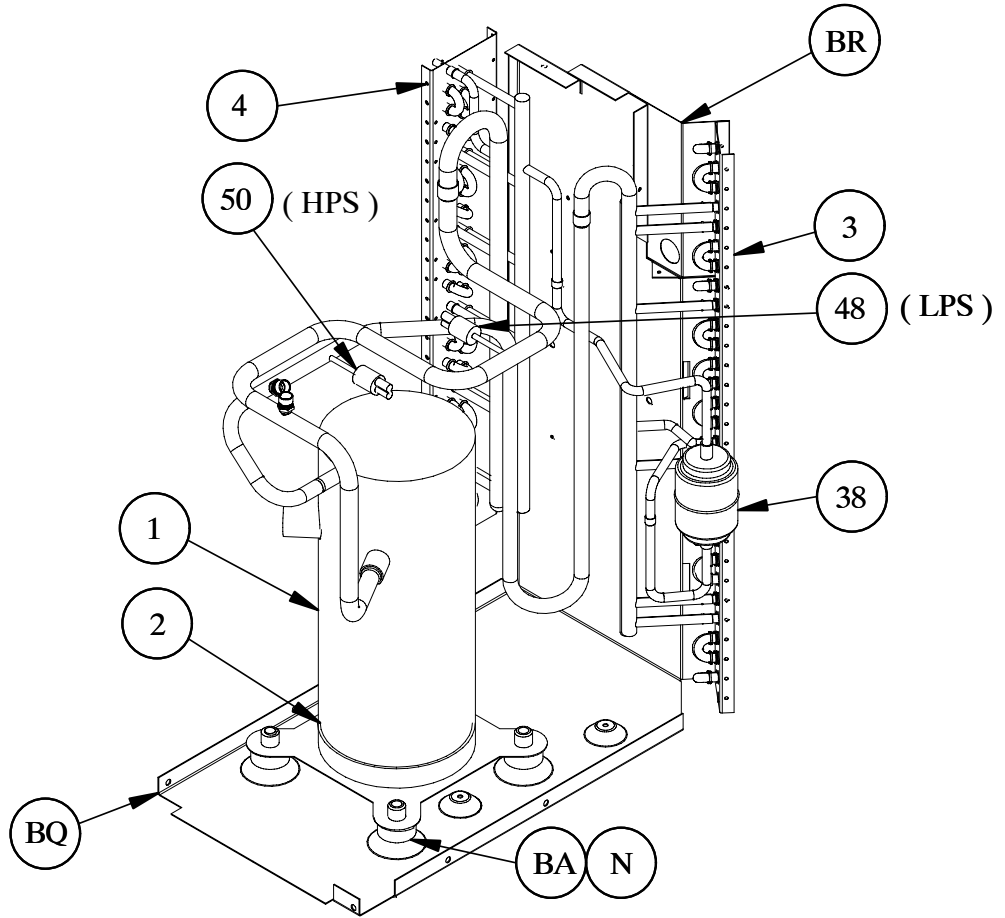


**INDOOR BLOWER FOR STD STATIC 3, 4 & 5 TON UNITS**

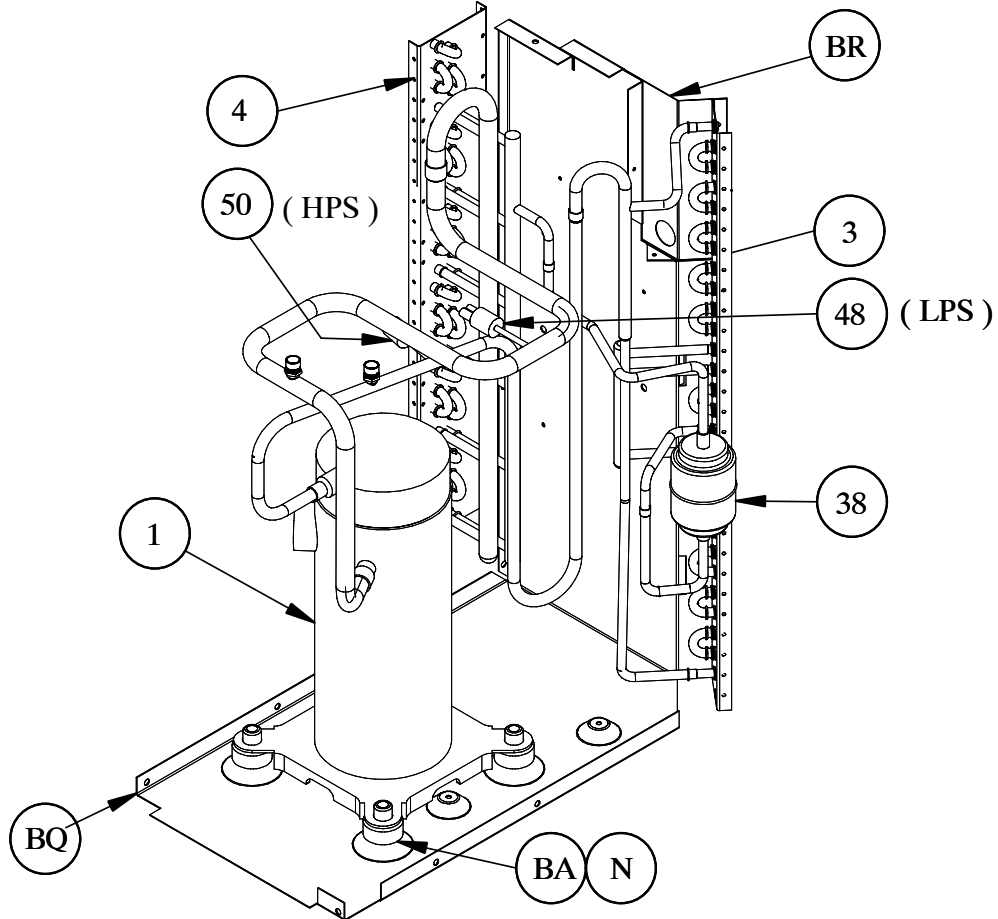
**RAS 3 - 4 Ton**

NOTE: This illustration is for reference only. Your unit may differ in appearance or may not include all components shown.

**4TON**



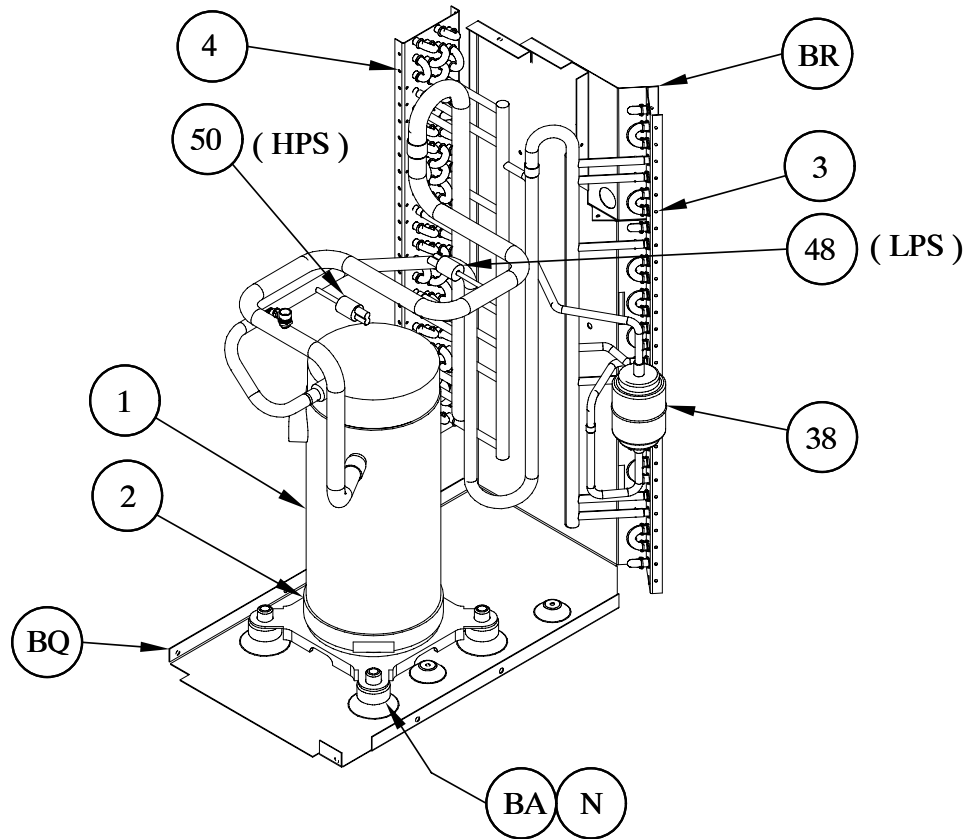
**3TON**



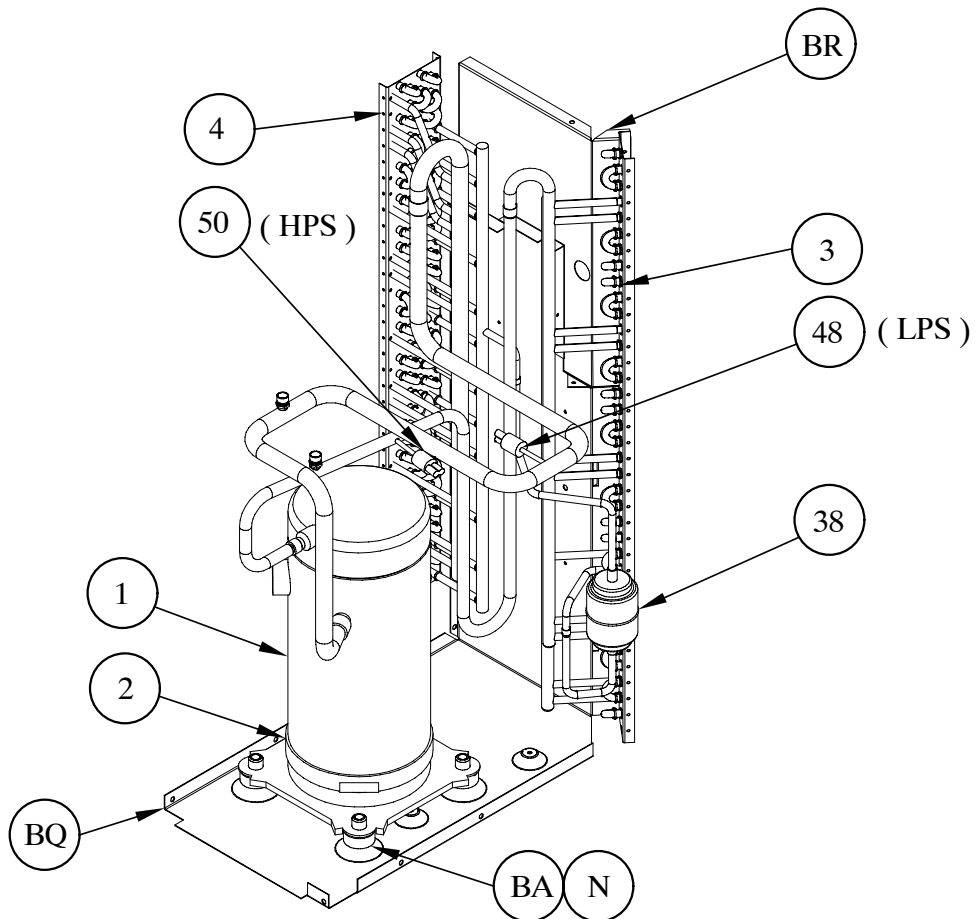
**RAS 5 - 6 Ton**

NOTE: This illustration is for reference only. Your unit may differ in appearance or may not include all components shown.

**5 TON**



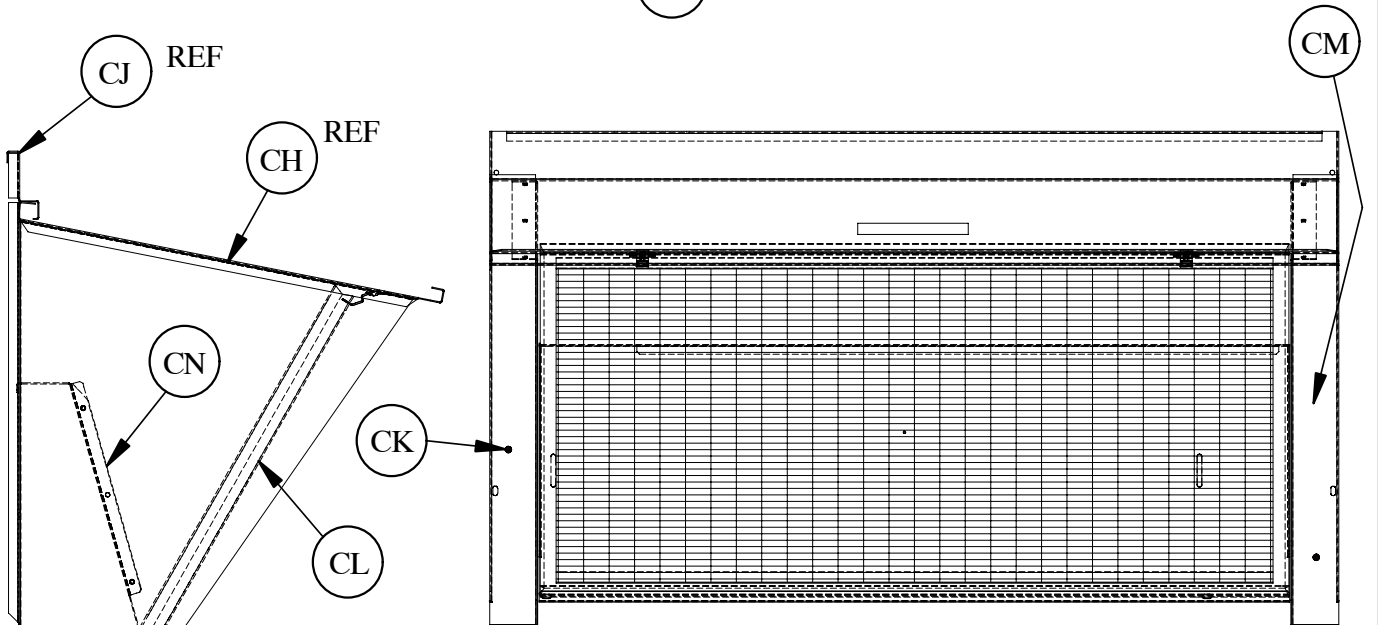
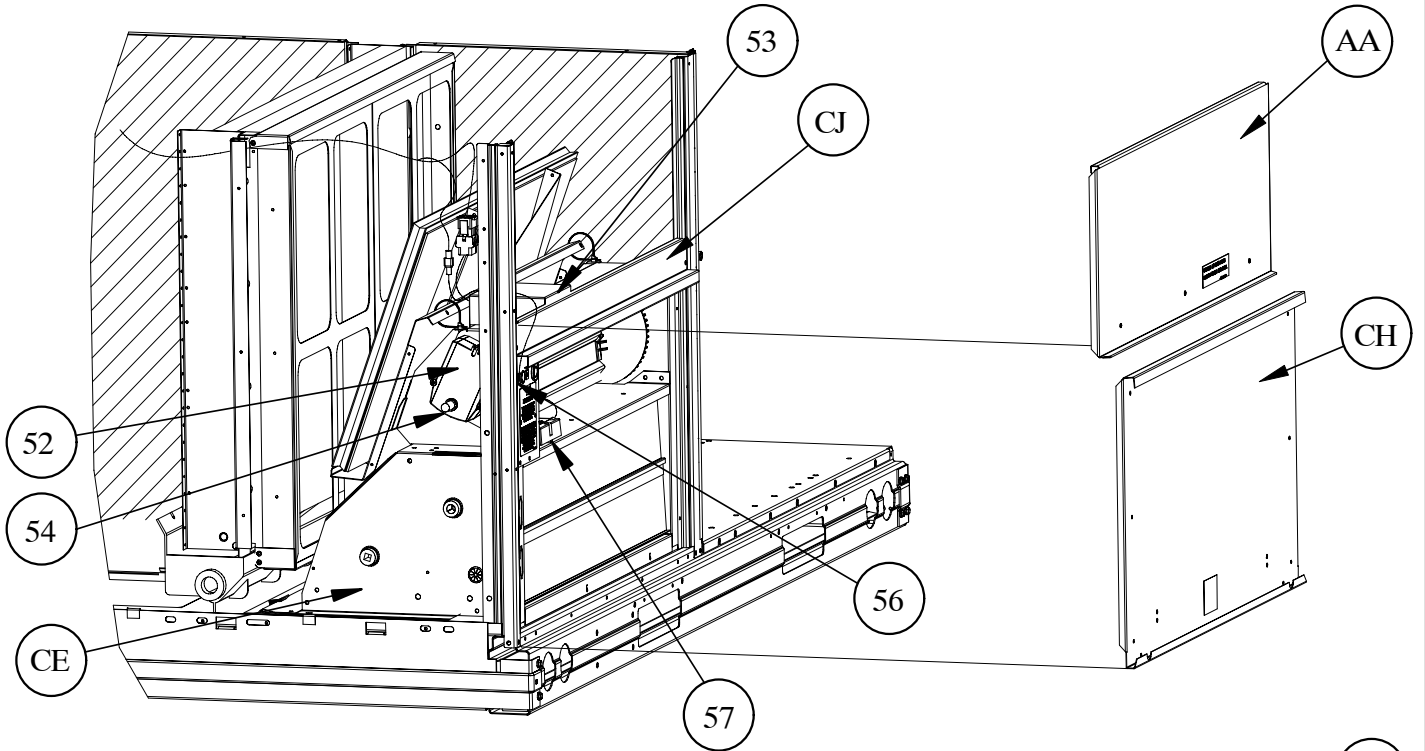
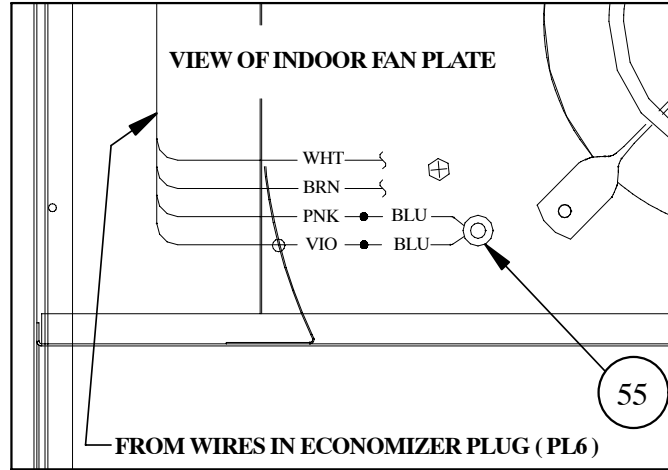
**6 TON**





NOTE: This illustration is for reference only. Your unit may differ in appearance or may not include all components shown.

### 3 - 10 TON ECONOMIZER



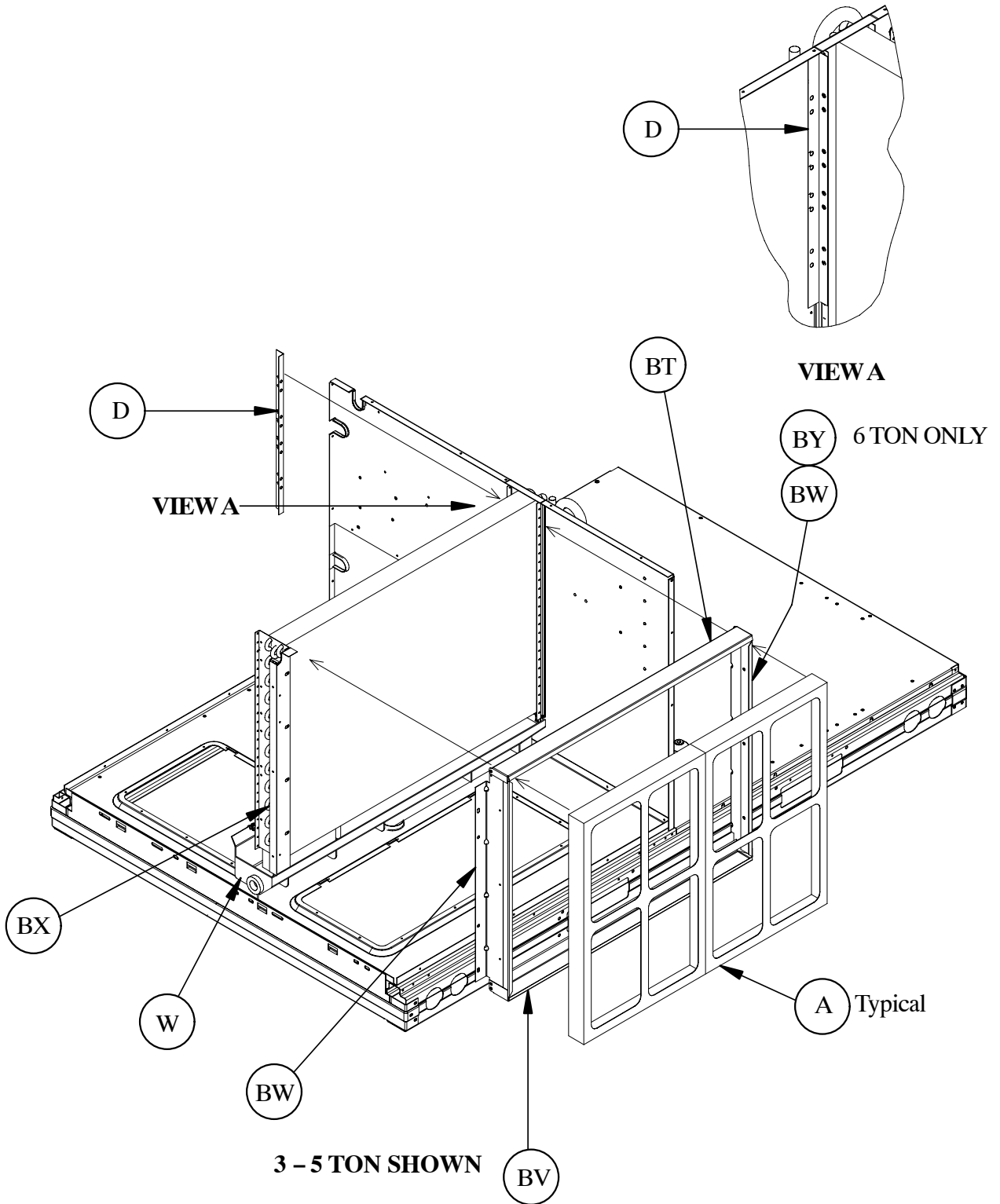
**OUT DOOR AIR HOOD**

50-10-25

# RAS 3 - 6 Ton

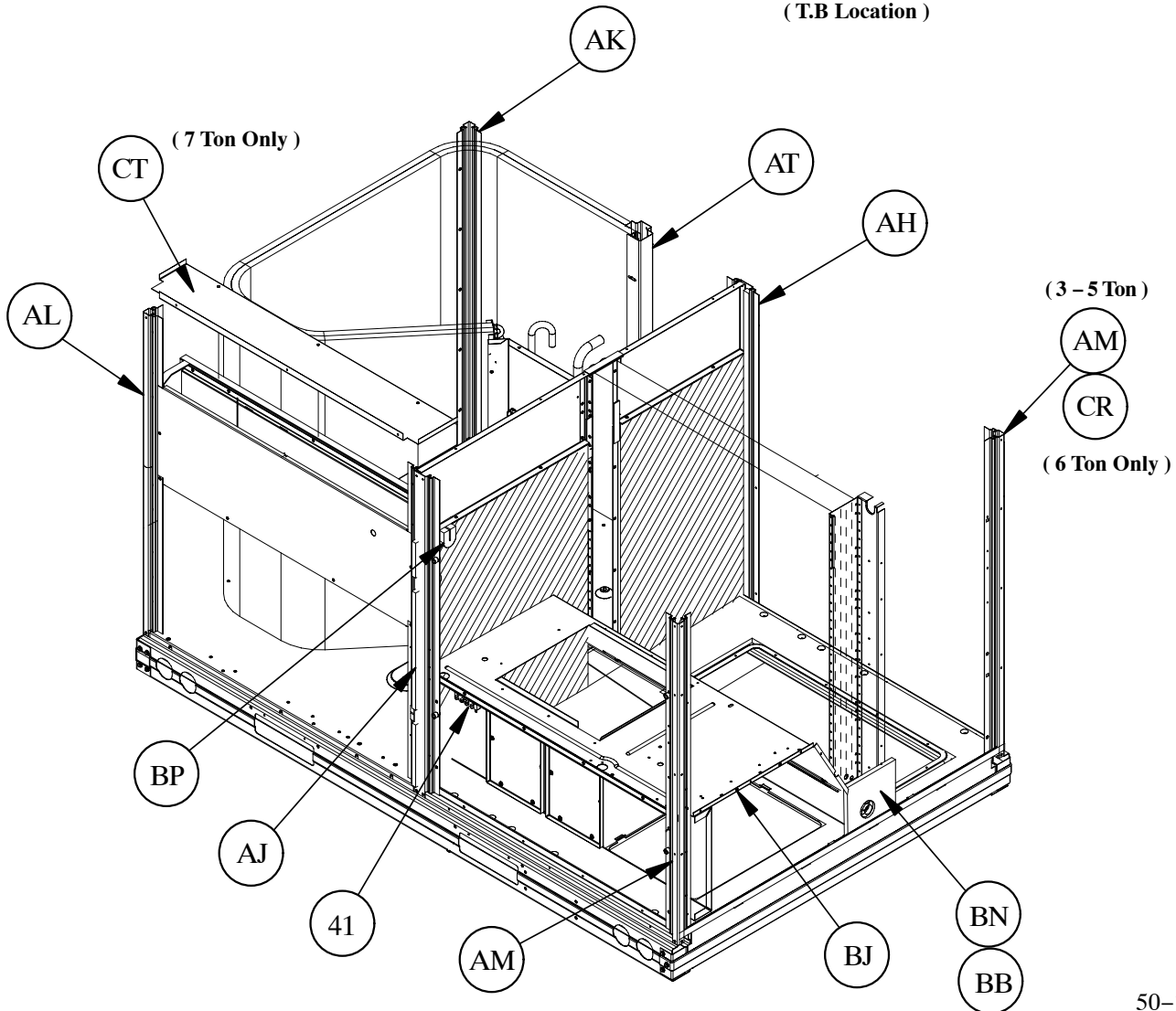
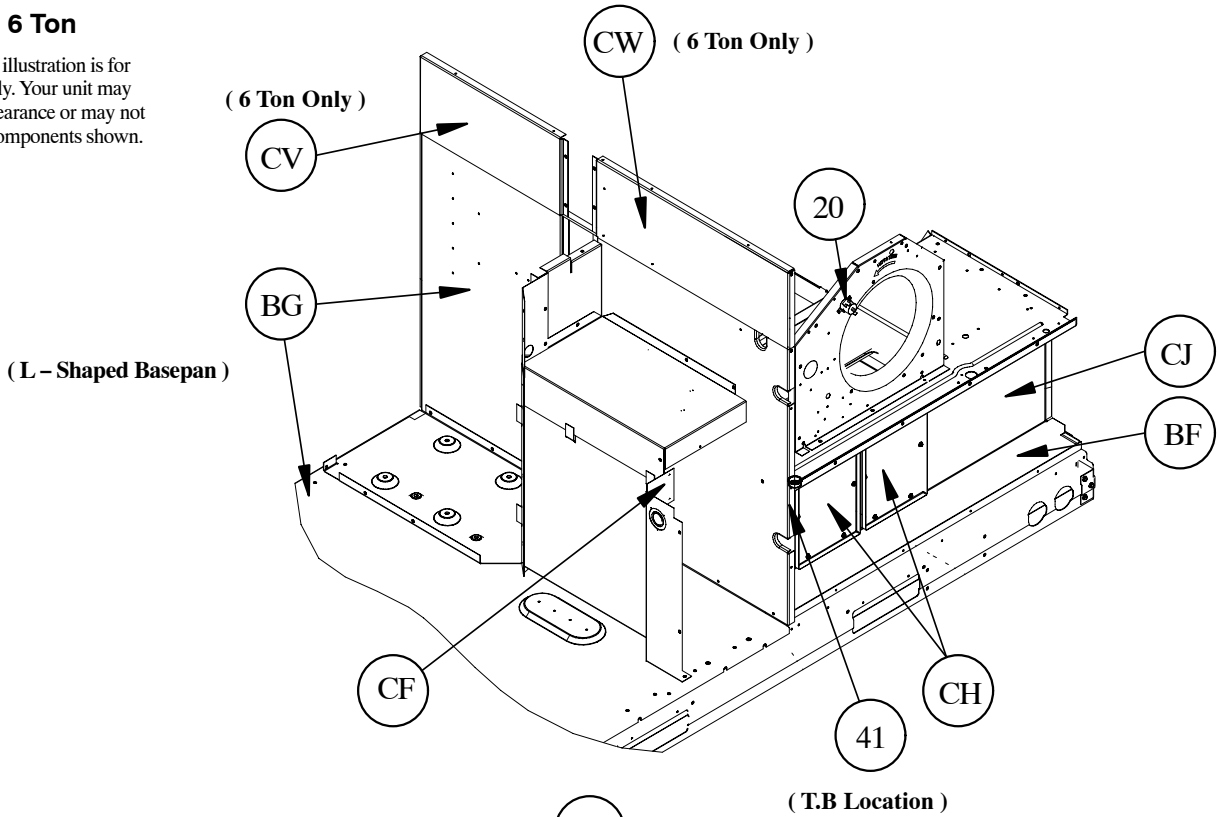
NOTE: This illustration is for reference only. Your unit may differ in appearance or may not include all components shown.

## FILTER GROUP



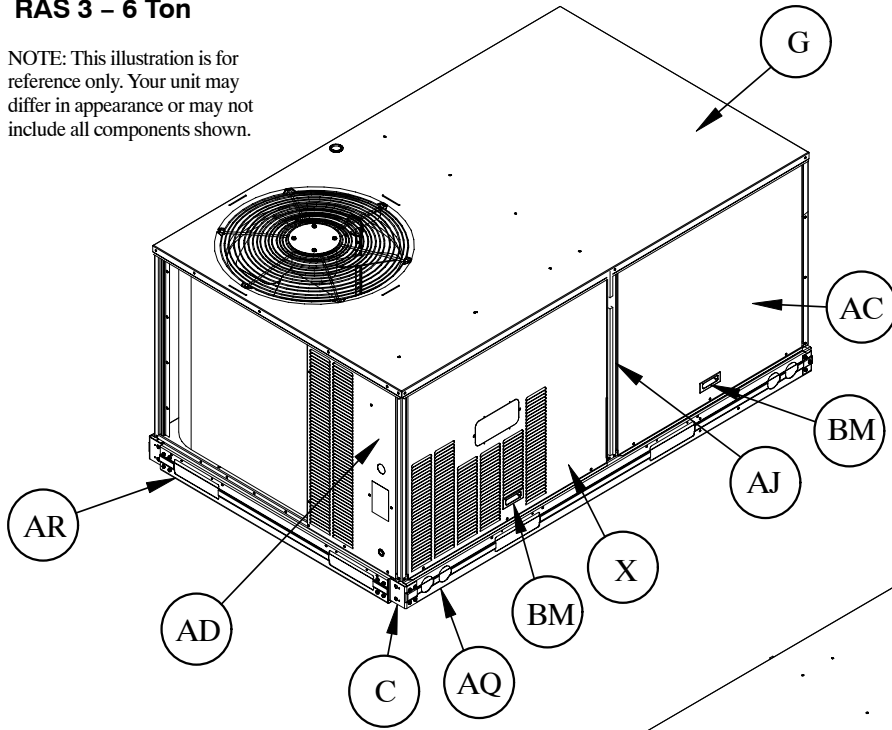
### RAS 3 - 6 Ton

NOTE: This illustration is for reference only. Your unit may differ in appearance or may not include all components shown.

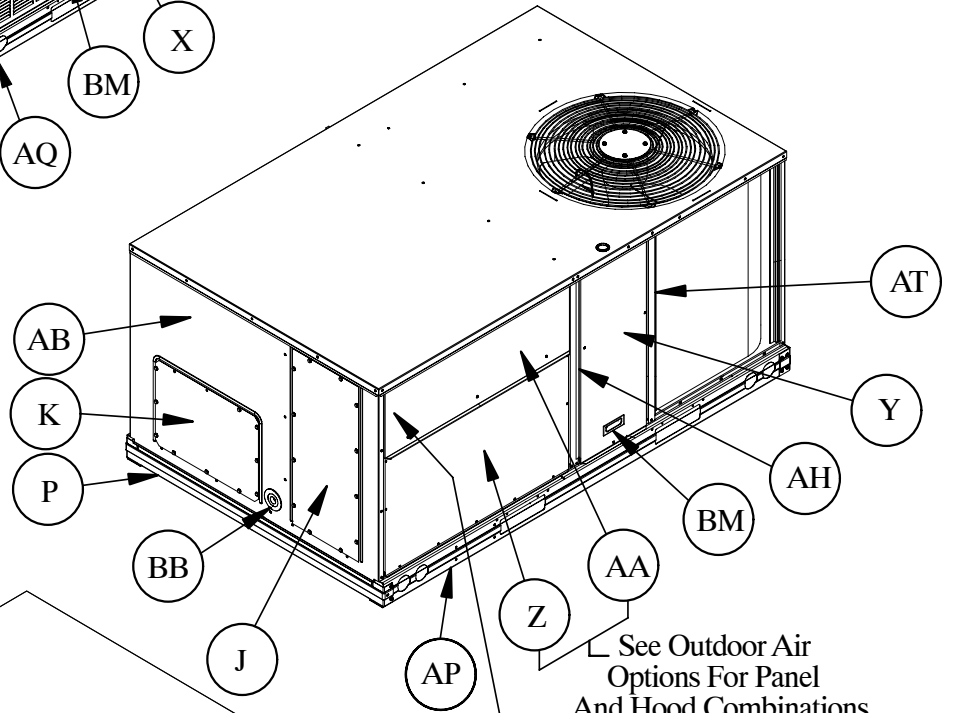


**RAS 3 - 6 Ton**

NOTE: This illustration is for reference only. Your unit may differ in appearance or may not include all components shown.

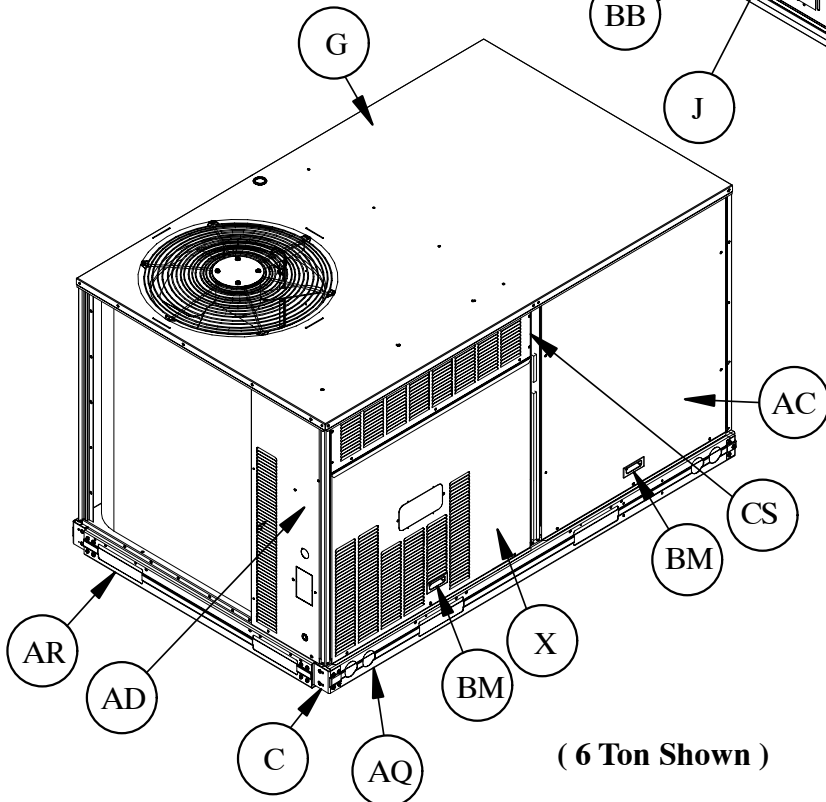
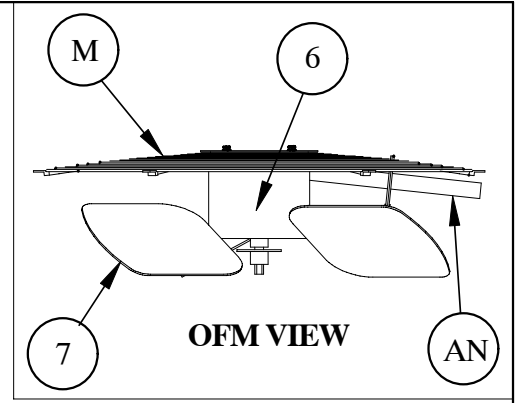


**( 3 - 5 Ton Shown )**



See Outdoor Air Options For Panel And Hood Combinations

( Shorting Plug Locations )

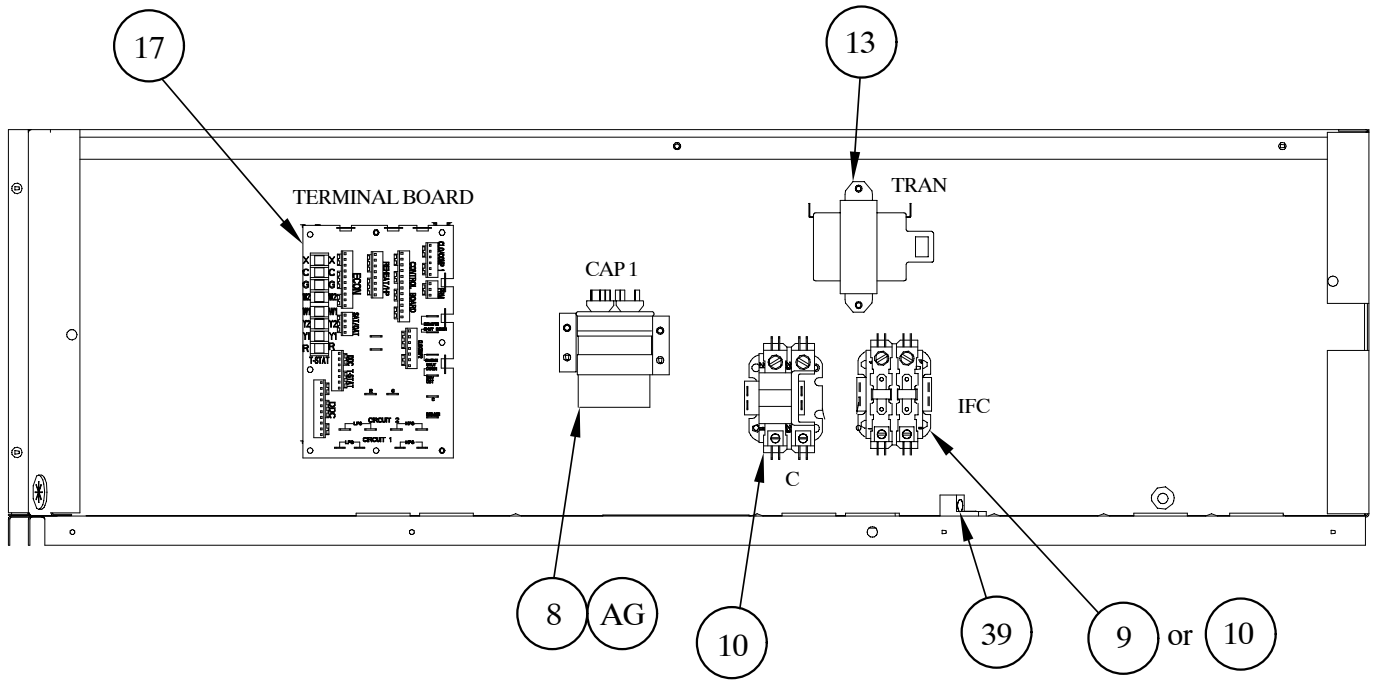


**( 6 Ton Shown )**

# RAS 7.5 – 10 Ton

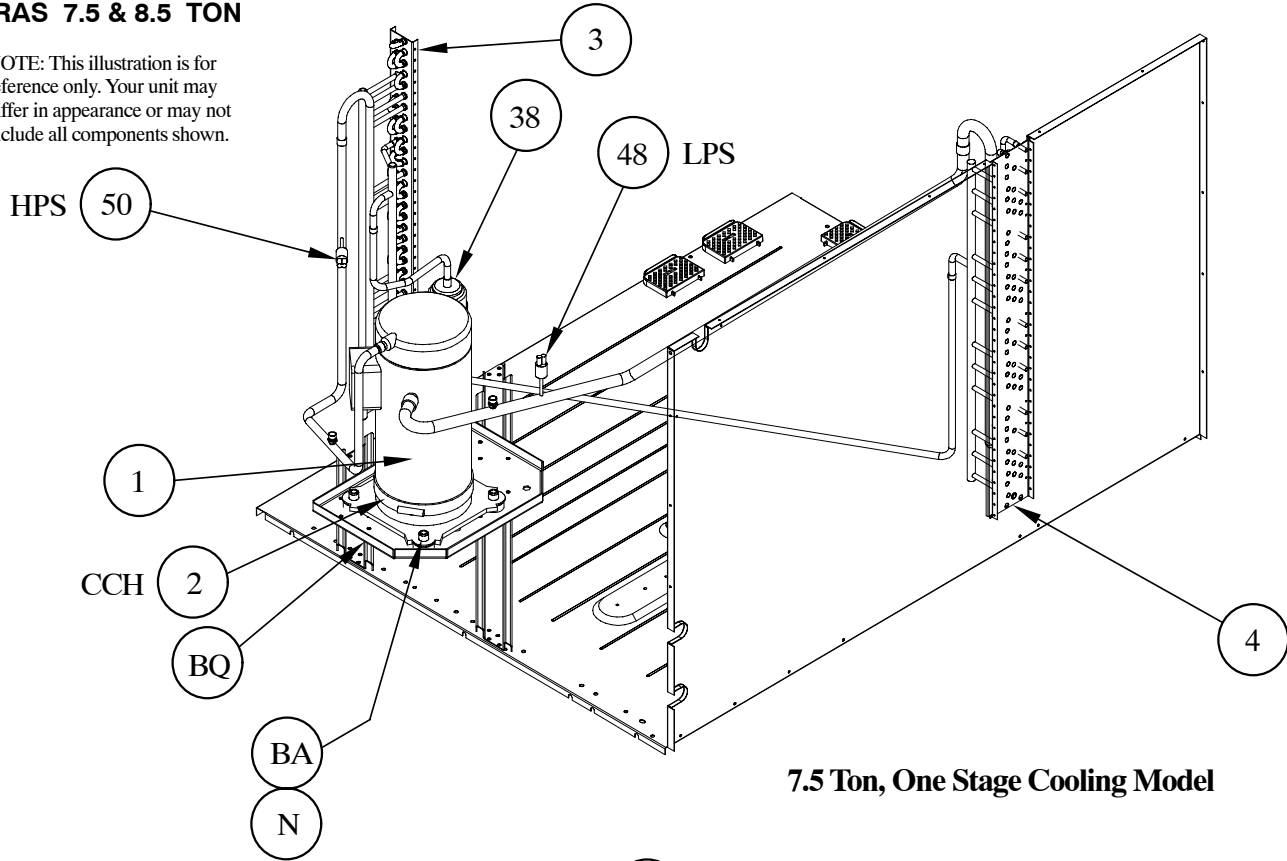
NOTE: This illustration is for reference only. Your unit may differ in appearance or may not include all components shown.

## RAS CONTROL - BOX ASY

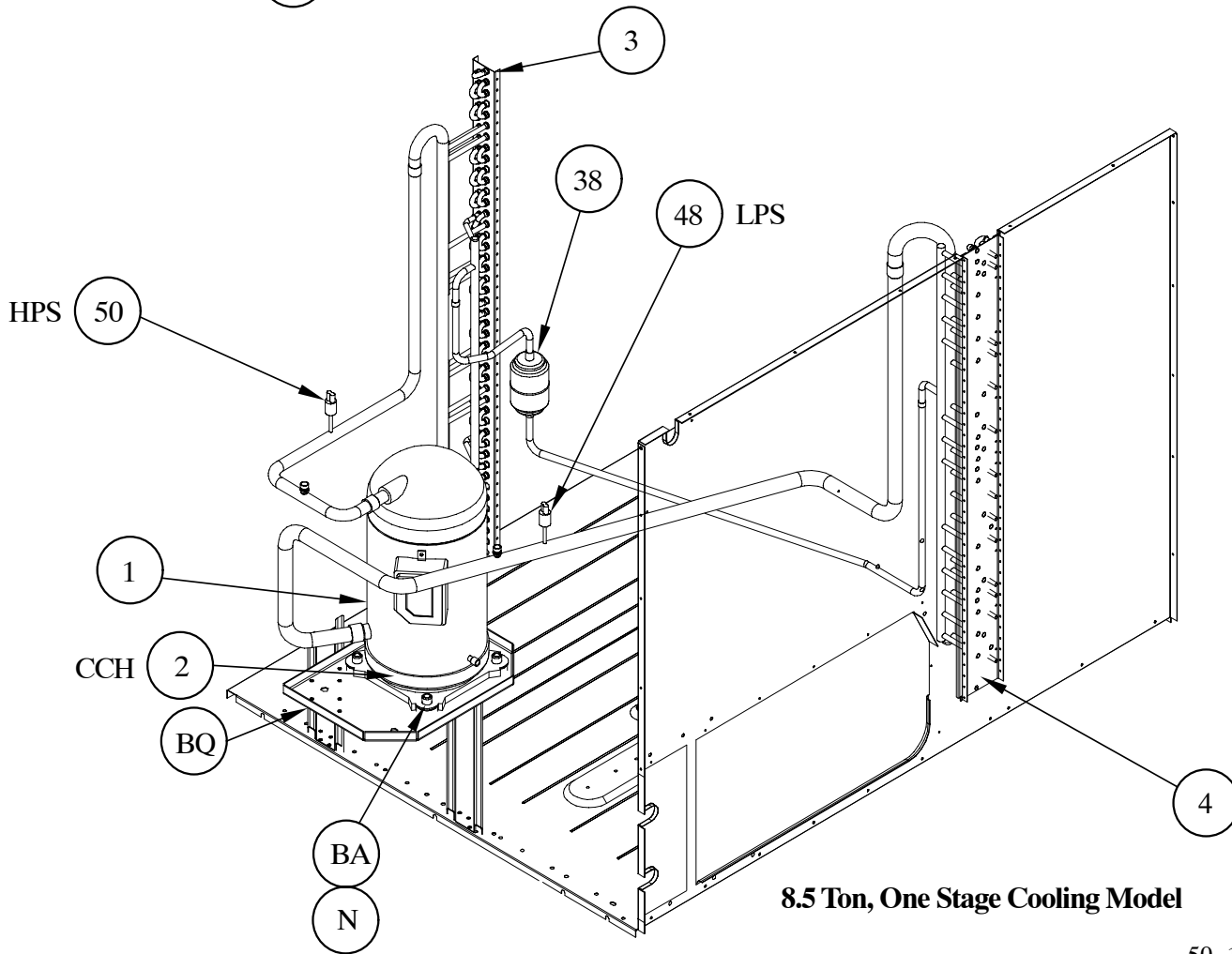


**RAS 7.5 & 8.5 TON**

NOTE: This illustration is for reference only. Your unit may differ in appearance or may not include all components shown.



**7.5 Ton, One Stage Cooling Model**



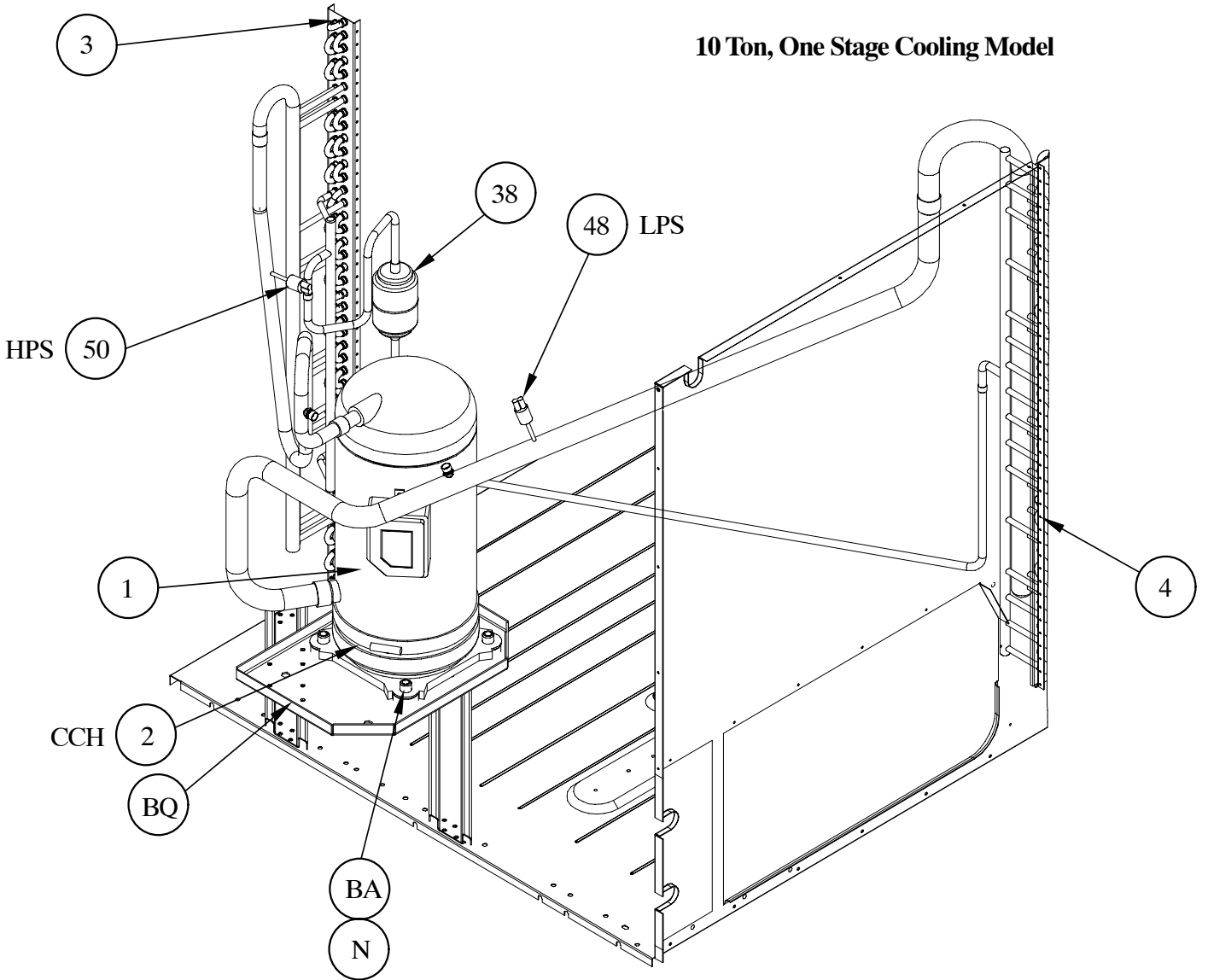
**8.5 Ton, One Stage Cooling Model**

50-10-40

# RAS 10 TON

NOTE: This illustration is for reference only. Your unit may differ in appearance or may not include all components shown.

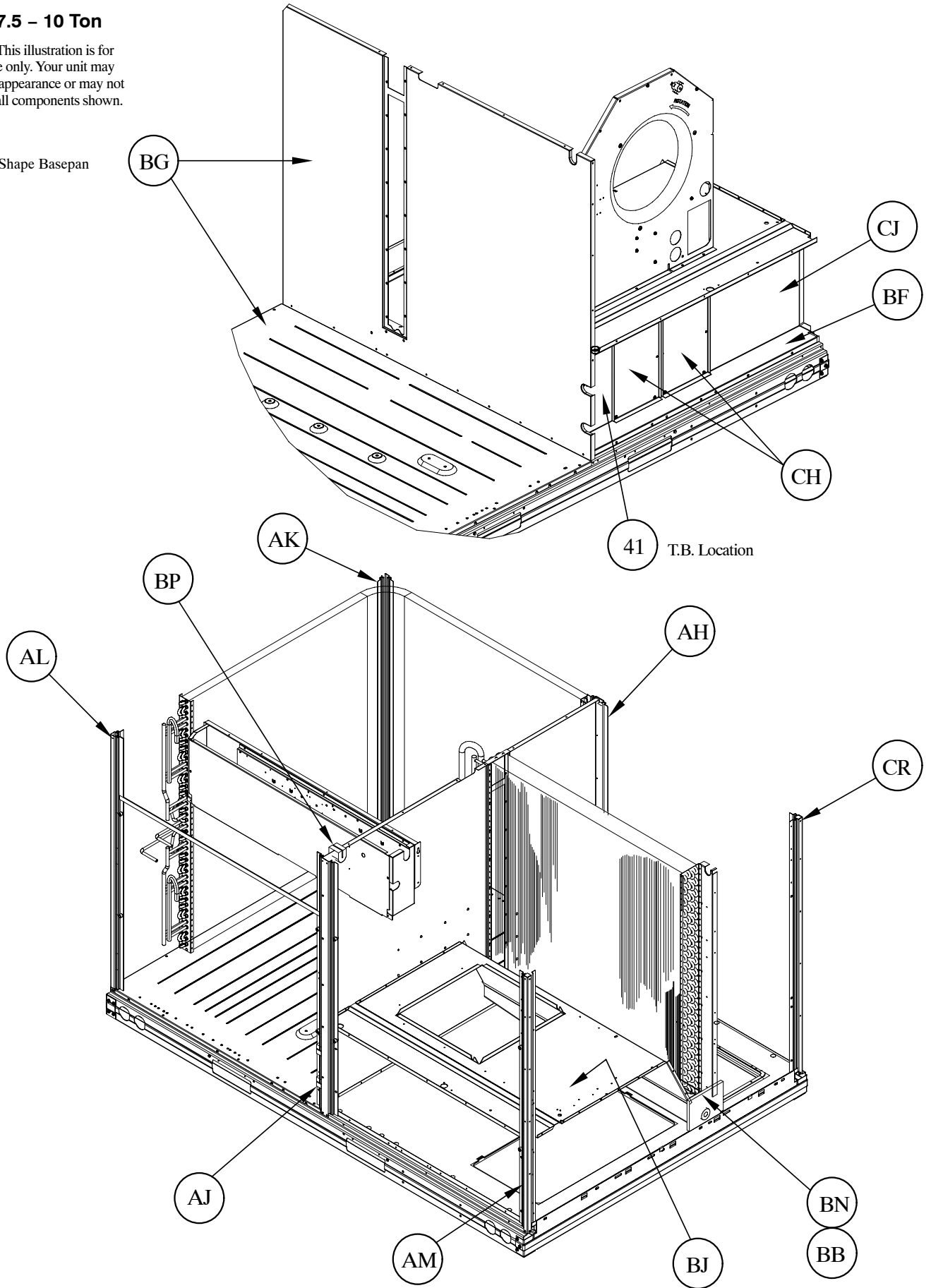
## 10 Ton, One Stage Cooling Model



# RAS 7.5 – 10 Ton

NOTE: This illustration is for reference only. Your unit may differ in appearance or may not include all components shown.

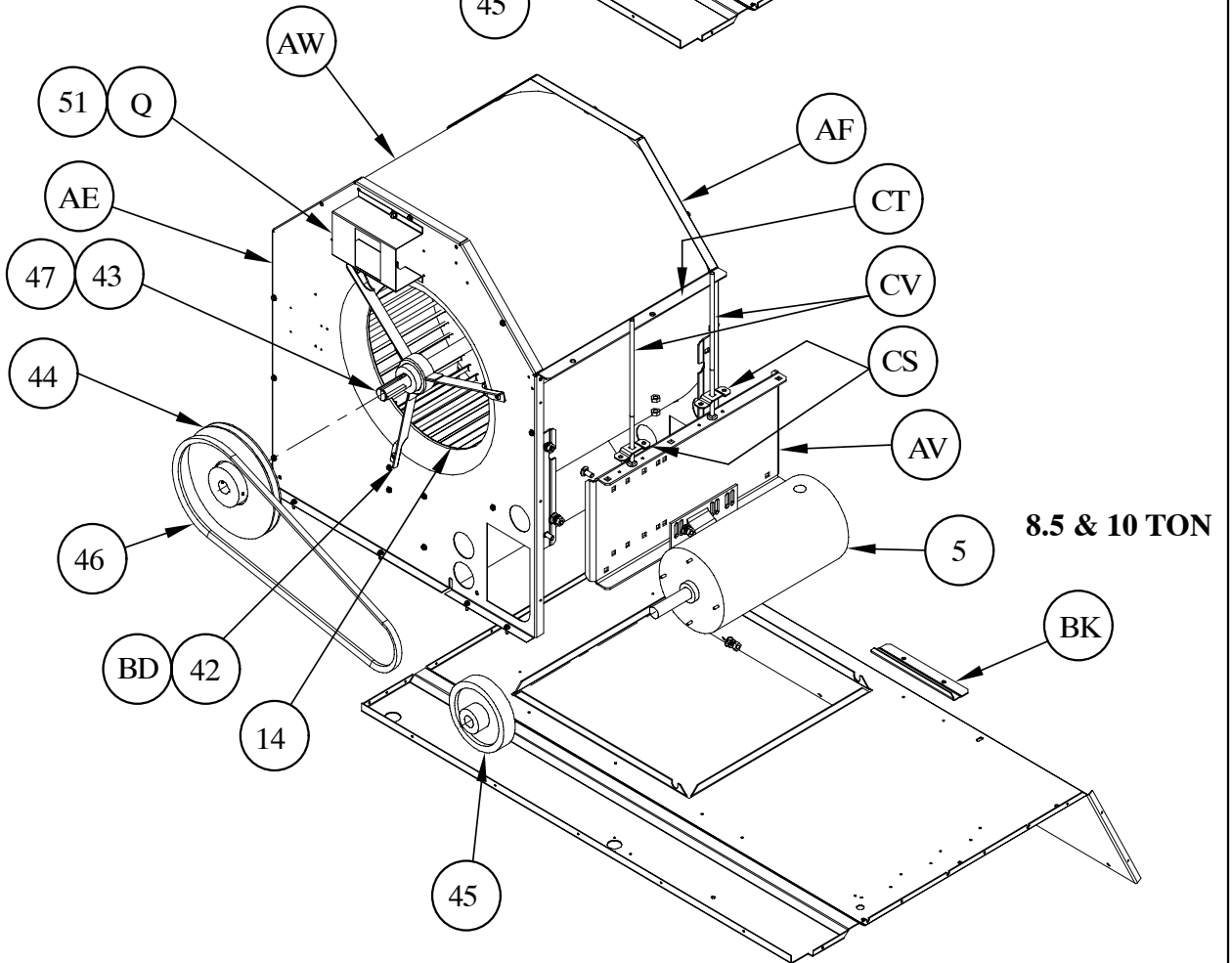
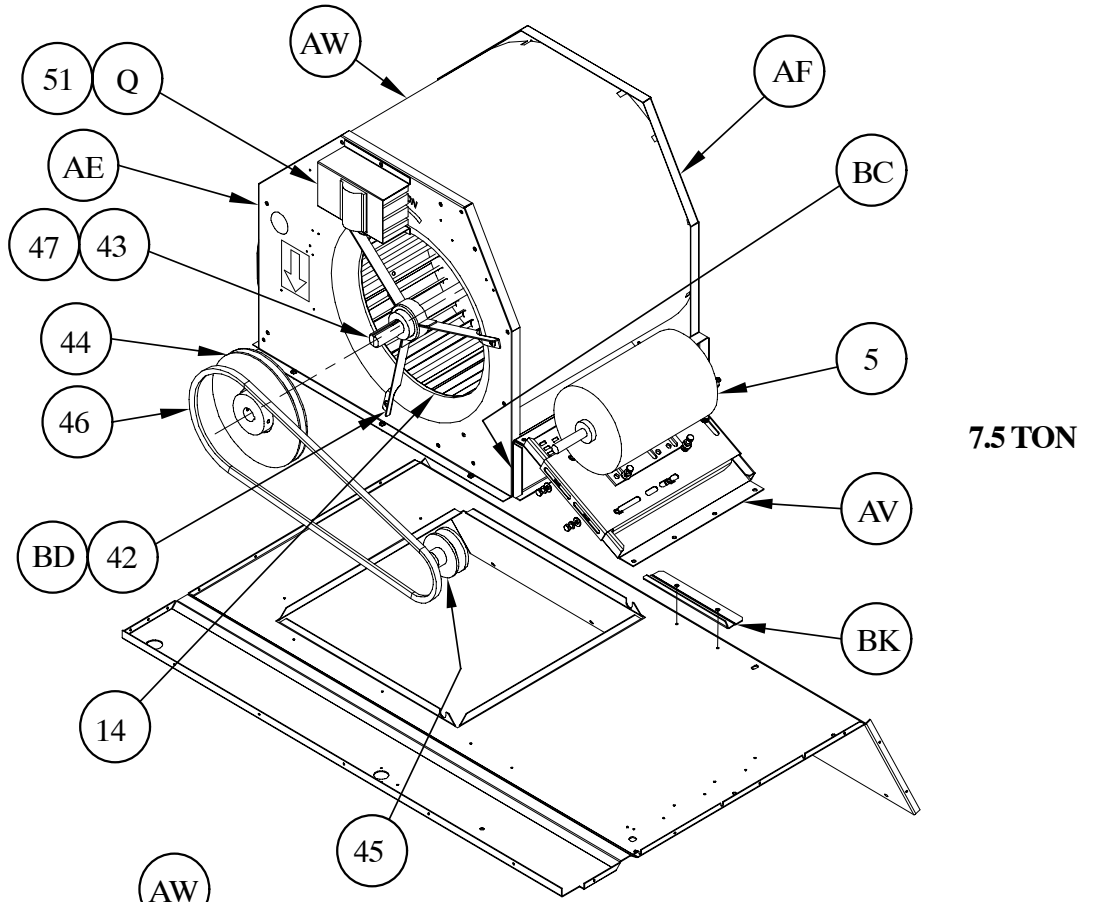
L-Shape Basepan





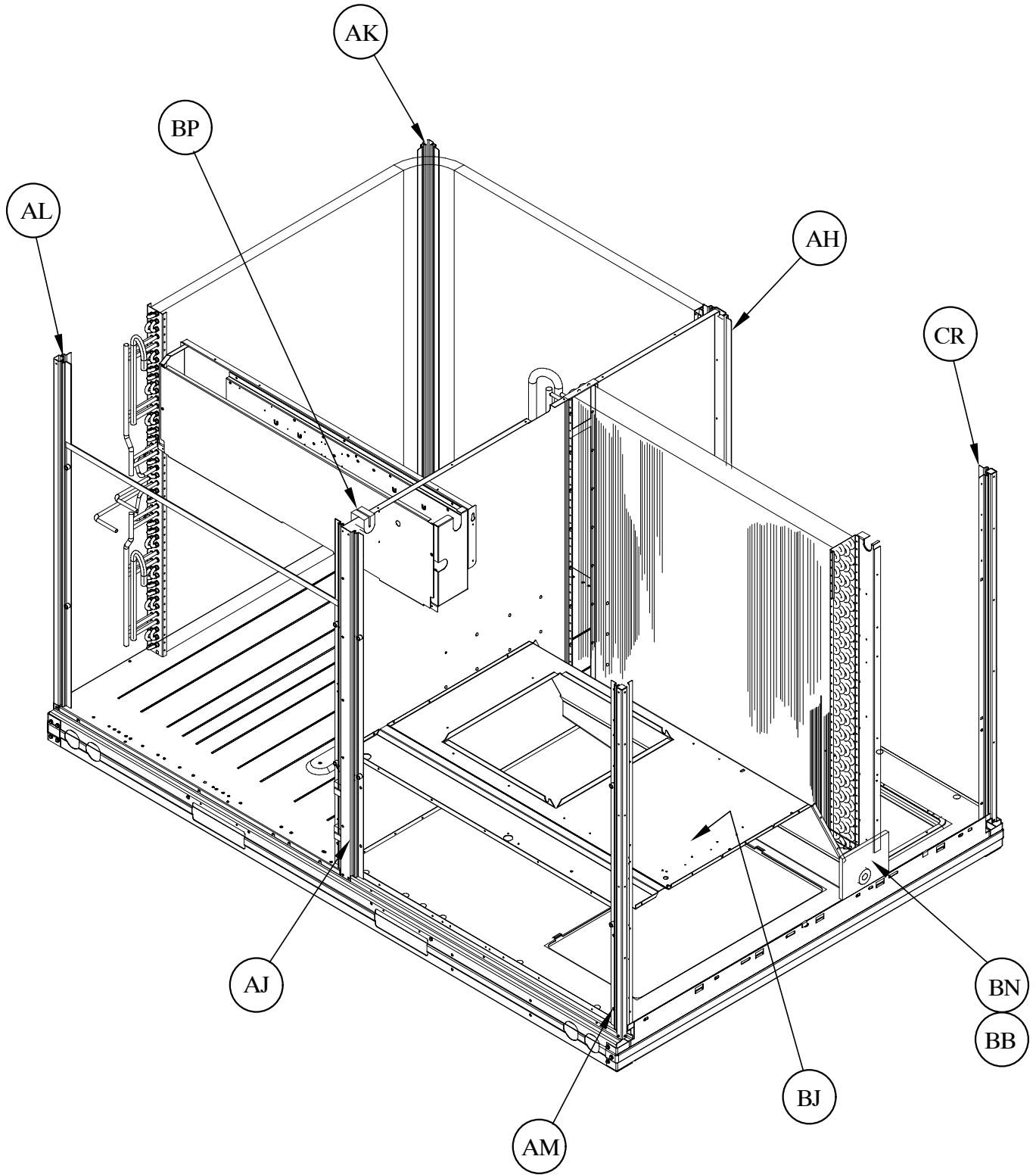
### RAS 7.5 – 10 Ton

NOTE: This illustration is for reference only. Your unit may differ in appearance or may not include all components shown.



# RAS 7.5 – 10 Ton

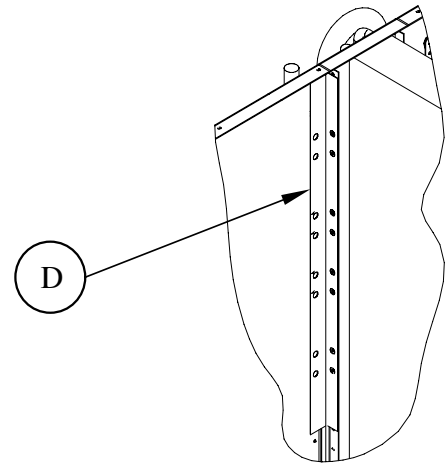
NOTE: This illustration is for reference only. Your unit may differ in appearance or may not include all components shown.



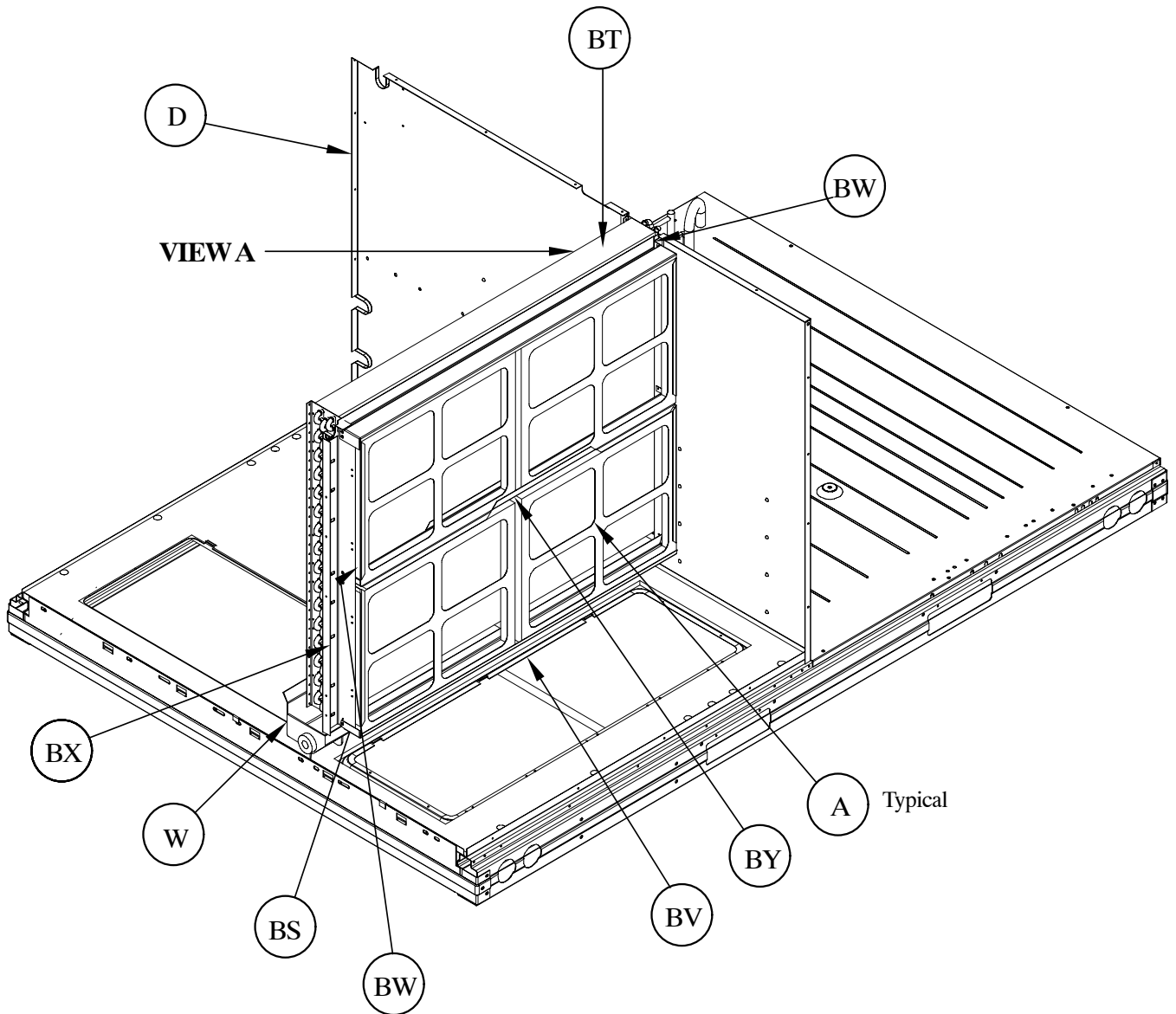
# RAS 7.5 – 10 Ton

NOTE: This illustration is for reference only. Your unit may differ in appearance or may not include all components shown.

## FILTER GROUP

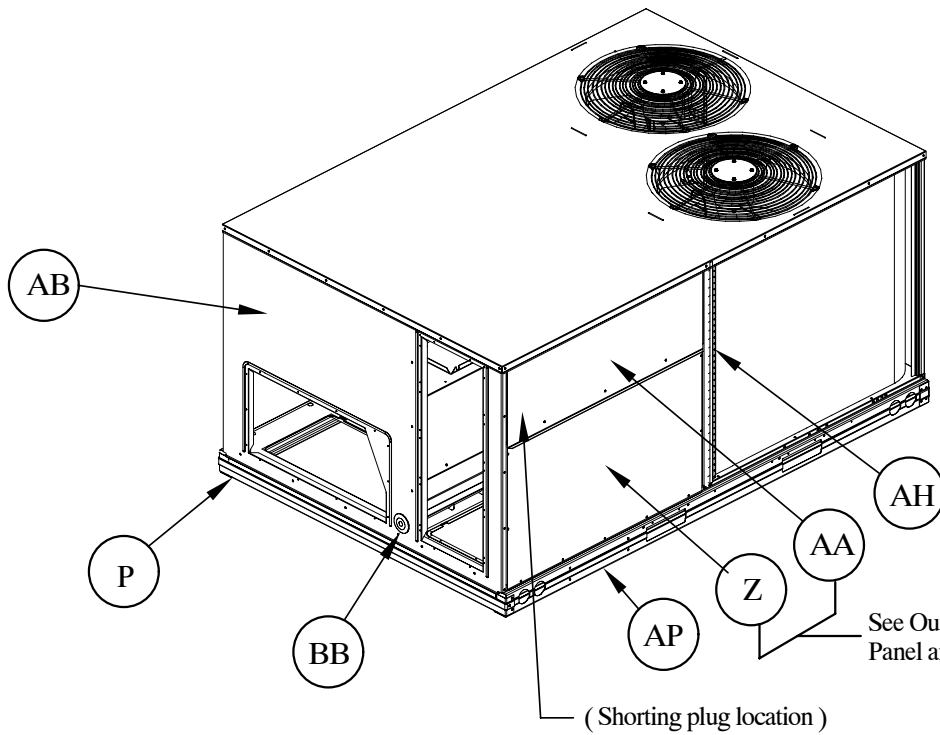
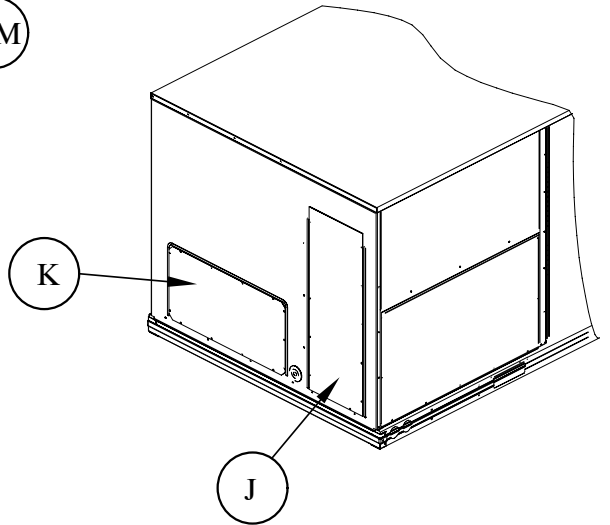
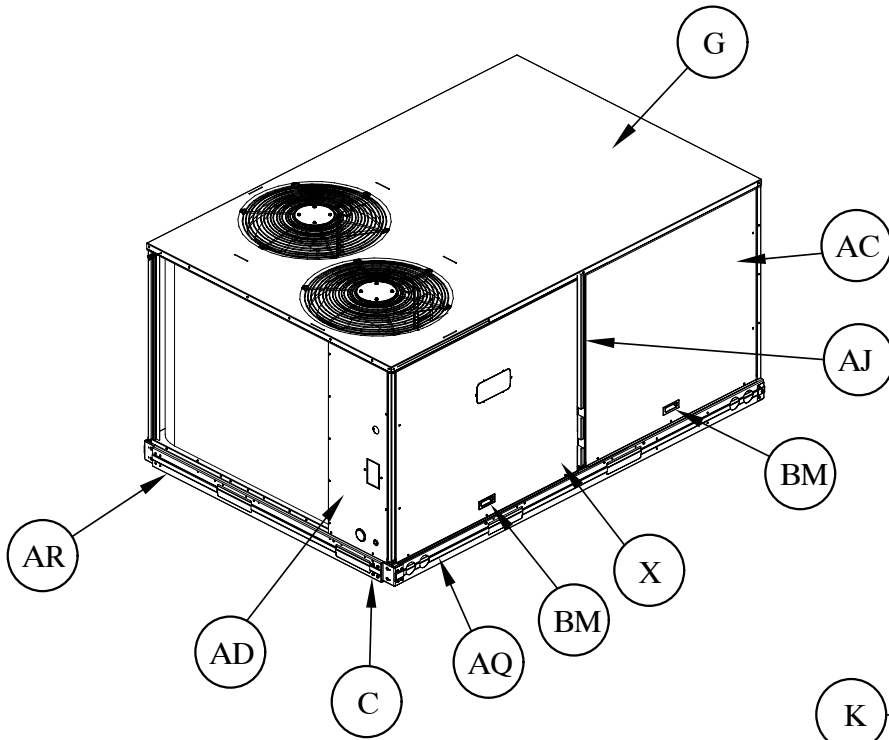
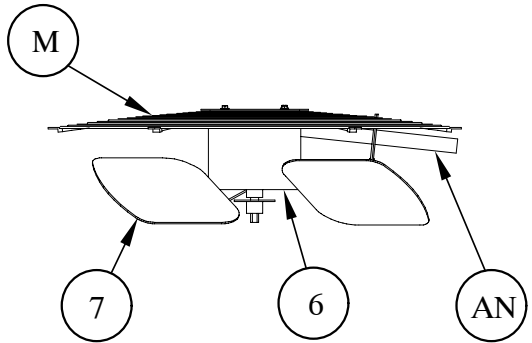


VIEW A



**RAS 7.5 – 10 Ton**

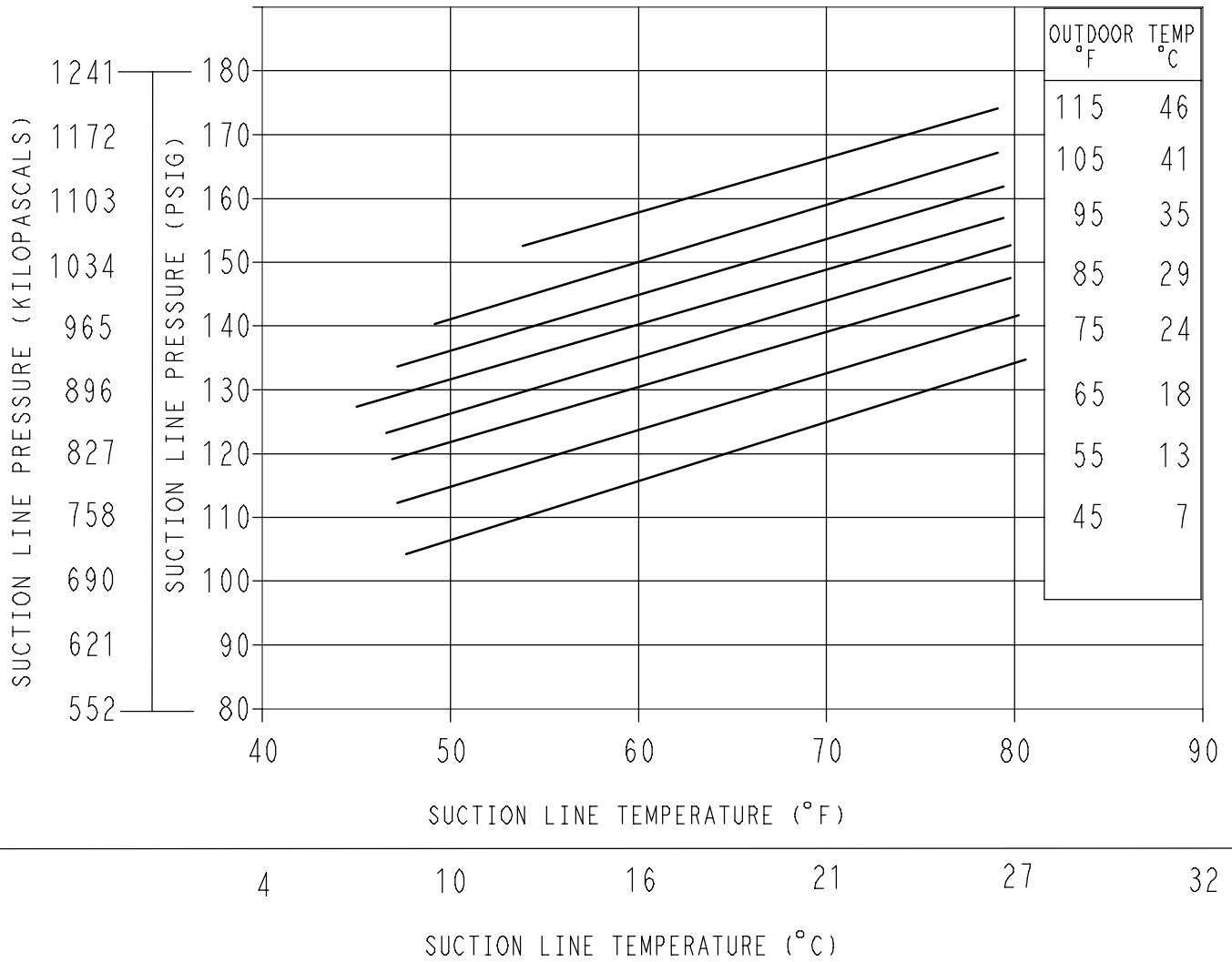
NOTE: This illustration is for reference only. Your unit may differ in appearance or may not include all components shown.



# SUPER HEAT

## RAS 3 TON CHARGING CHART

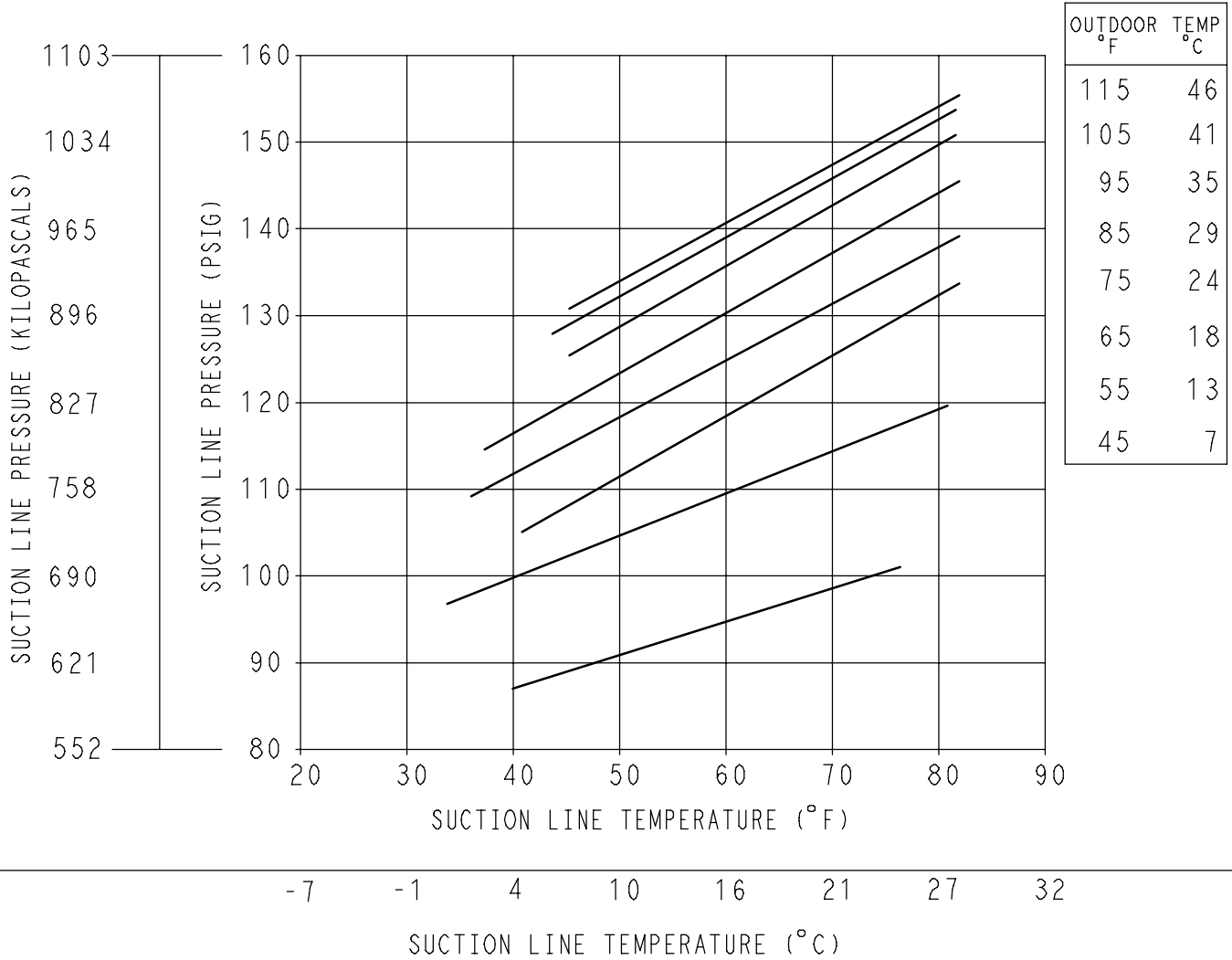
### R-410A REFRIGERANT



1. Top Line Represents Highest Outdoor Temperature
2. Bottom Line Represents Lowest Outdoor Temperature
3. If Super Heat Readings Are Below The Outdoor Ambient Line Add Charge
4. If Super Heat Readings Are Above The Outdoor Ambient Line Remove Charge

48TM500231 20

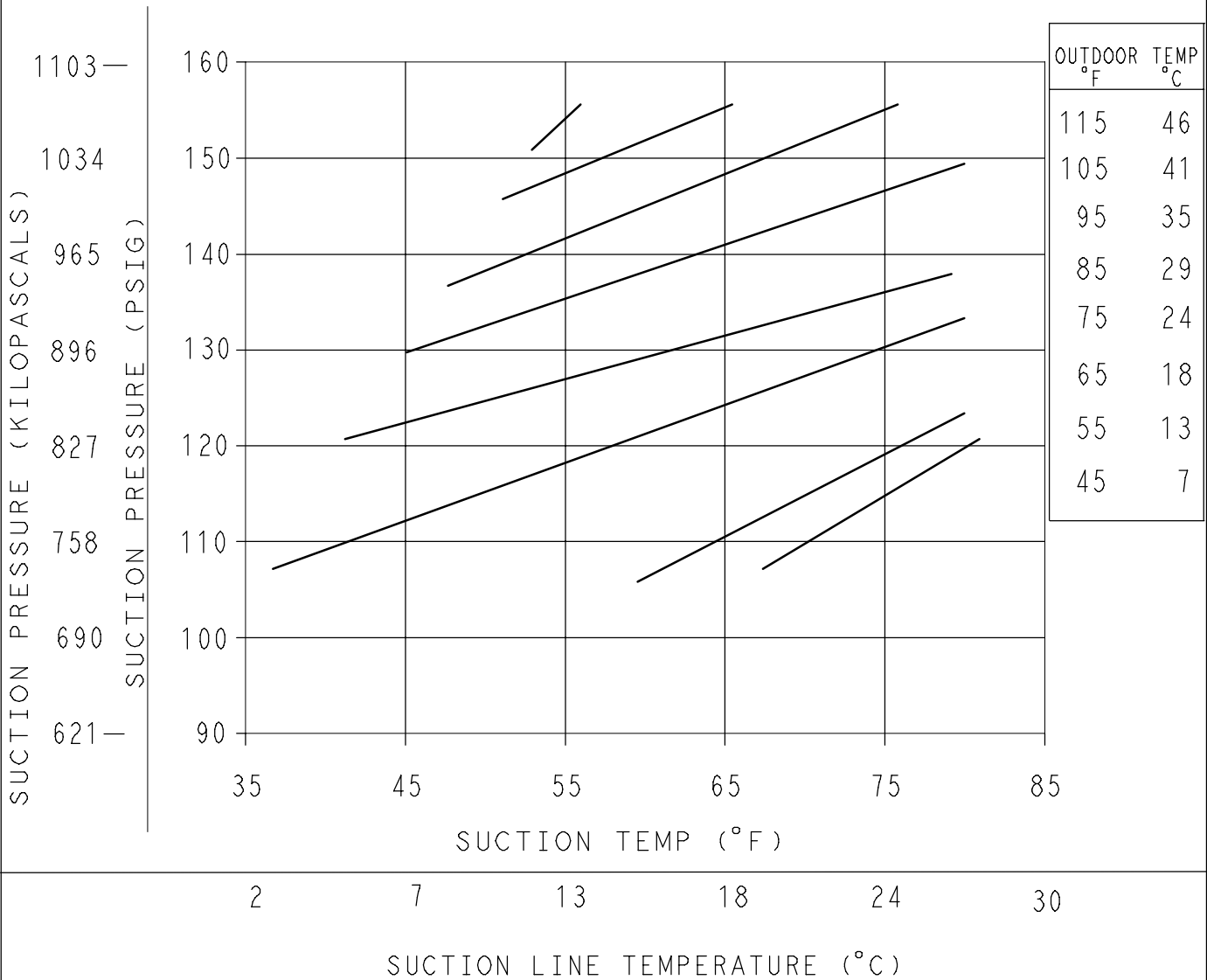
## SUPER HEAT RAS 4 TON CHARGING CHART R-410A REFRIGERANT



1. Top Line Represents Highest Outdoor Temperature
2. Bottom Line Represents Lowest Outdoor Temperature
3. If Super Heat Readings Are Below The Outdoor Ambient Line Add Charge
4. If Super Heat Readings Are Above The Outdoor Ambient Line Remove Charge

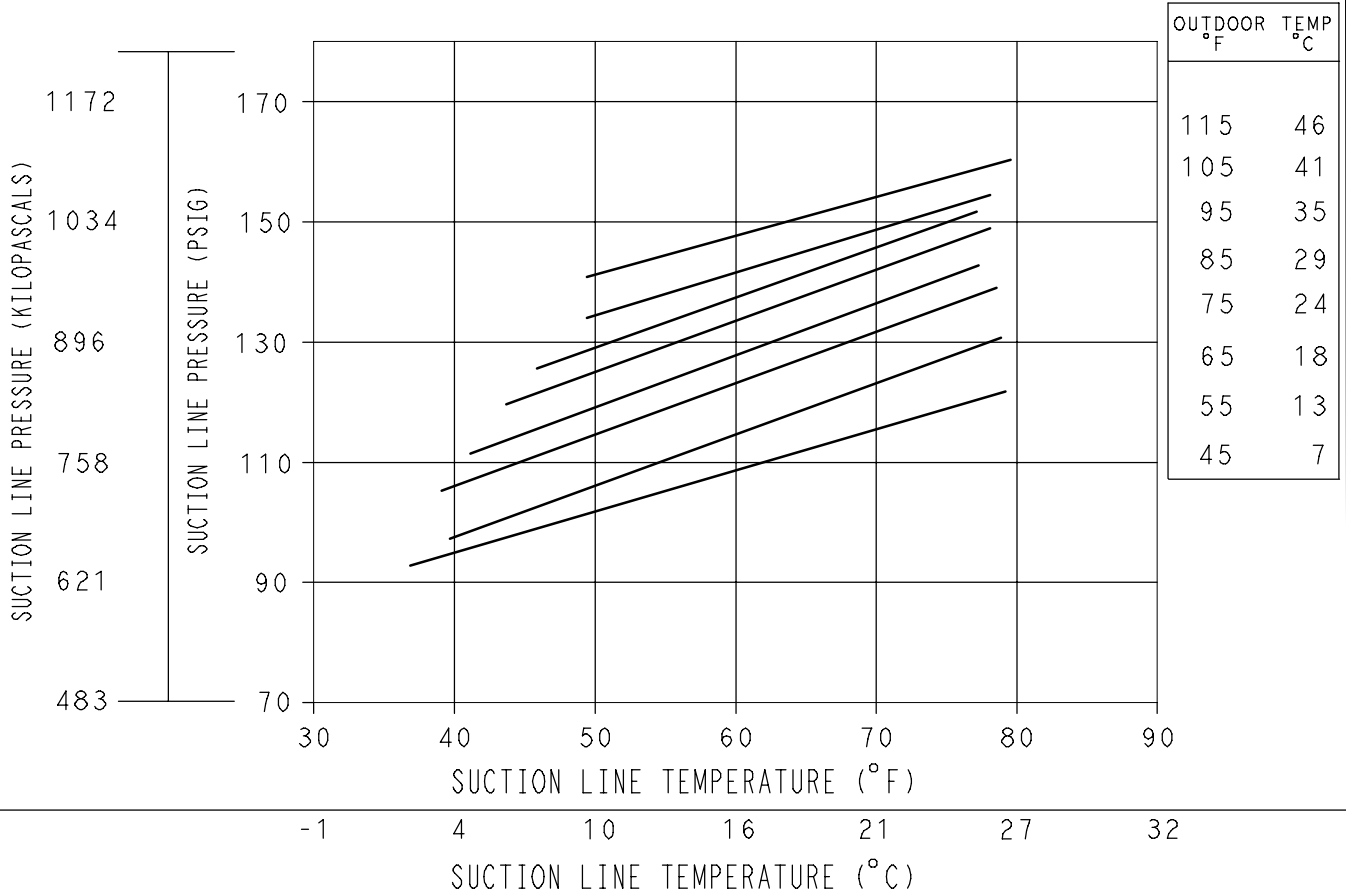
48TM500232 20

# SUPER HEAT RAS 5 TON CHARGING CHART R-410A REFRIGERANT



1. Top Line Represents Highest Outdoor Temperature
2. Bottom Line Represents Lowest Outdoor Temperature
3. If Super Heat Readings Are Below The Outdoor Ambient Line Add Charge
4. If Super Heat Readings Are Above The Outdoor Ambient Line Remove Charge

## SUPER HEAT RAS 6 TON CHARGING CHART R-410A REFRIGERANT



1. Top Line Represents Highest Outdoor Temperature
2. Bottom Line Represents Lowest Outdoor Temperature
3. If Super Heat Readings Are Below The Outdoor Ambient Line Add Charge
4. If Super Heat Readings Are Above The Outdoor Ambient Line Remove Charge

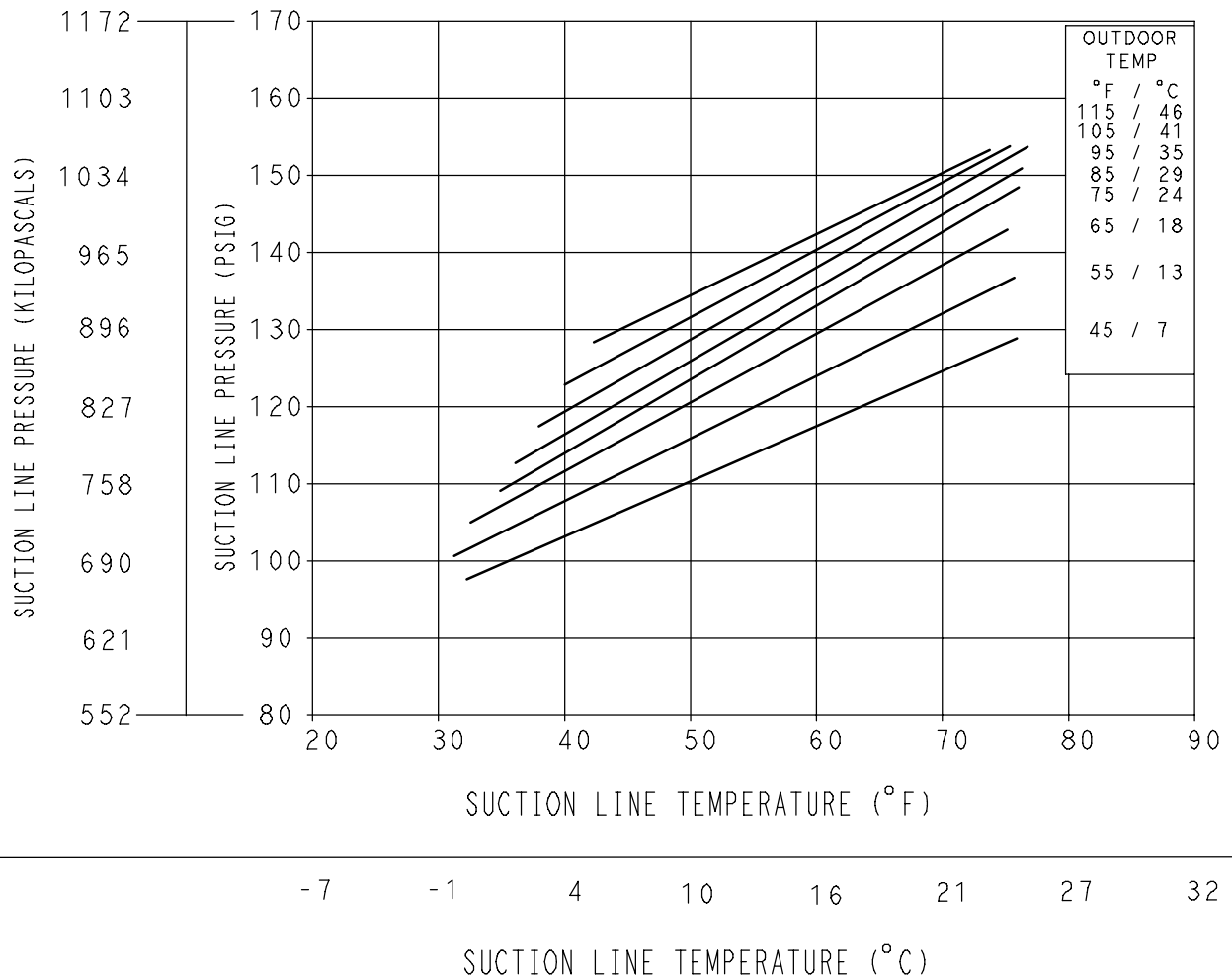
48TM500234 20



# SUPER HEAT

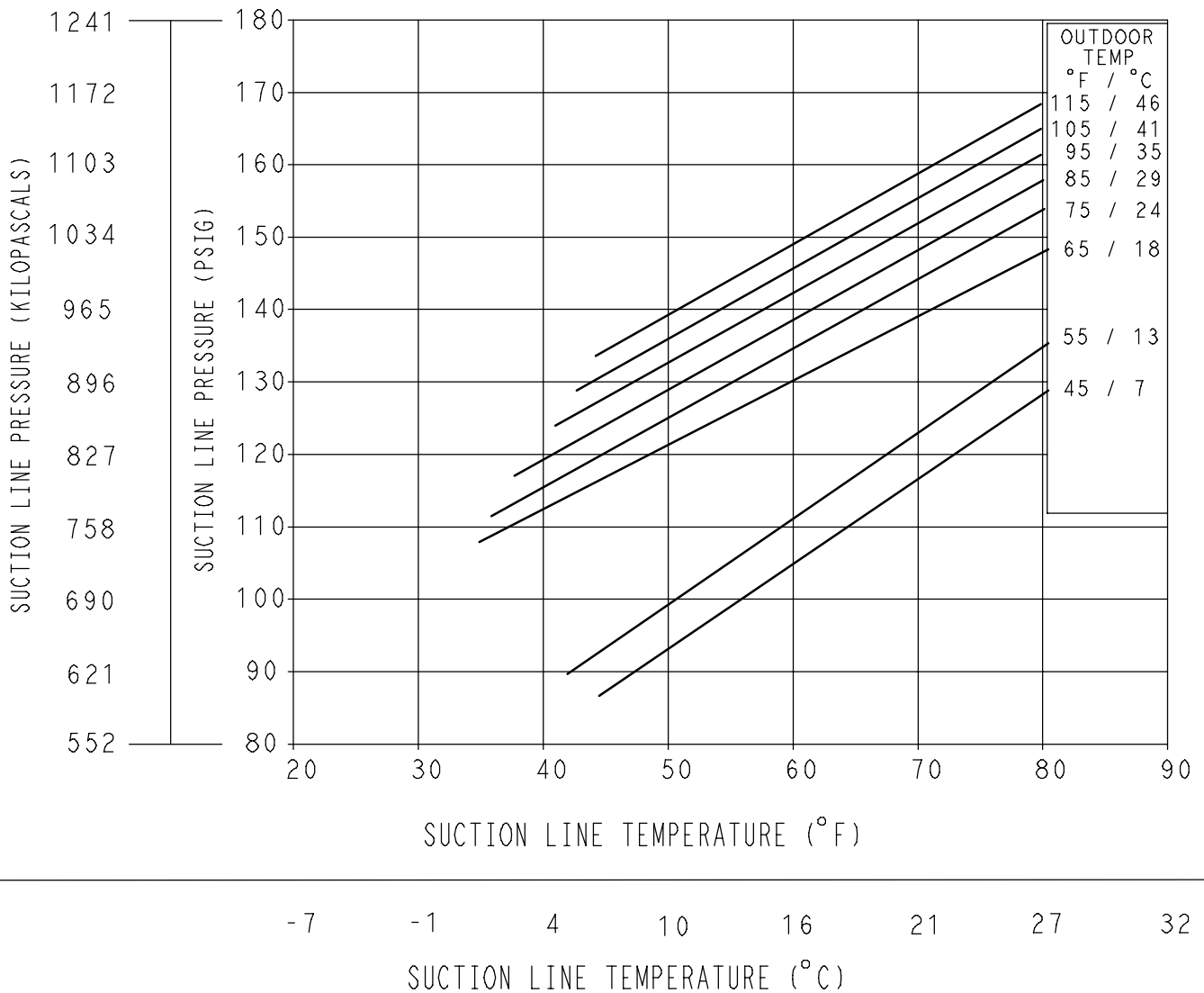
## RAS 7.5 TON CHARGING CHART

### R-410A REFRIGERANT



1. Top Line Represents Highest Outdoor Temperature
2. Bottom Line Represents Lowest Outdoor Temperature
3. If Super Heat Readings Are Below The Outdoor Ambient Line Add Charge
4. If Super Heat Readings Are Above The Outdoor Ambient Line Remove Charge

# SUPER HEAT RAS 8.5 TON CHARGING CHART R-410A REFRIGERANT



1. Top Line Represents Highest Outdoor Temperature
2. Bottom Line Represents Lowest Outdoor Temperature
3. If Super Heat Readings Are Below The Outdoor Ambient Line Add Charge
4. If Super Heat Readings Are Above The Outdoor Ambient Line Remove Charge

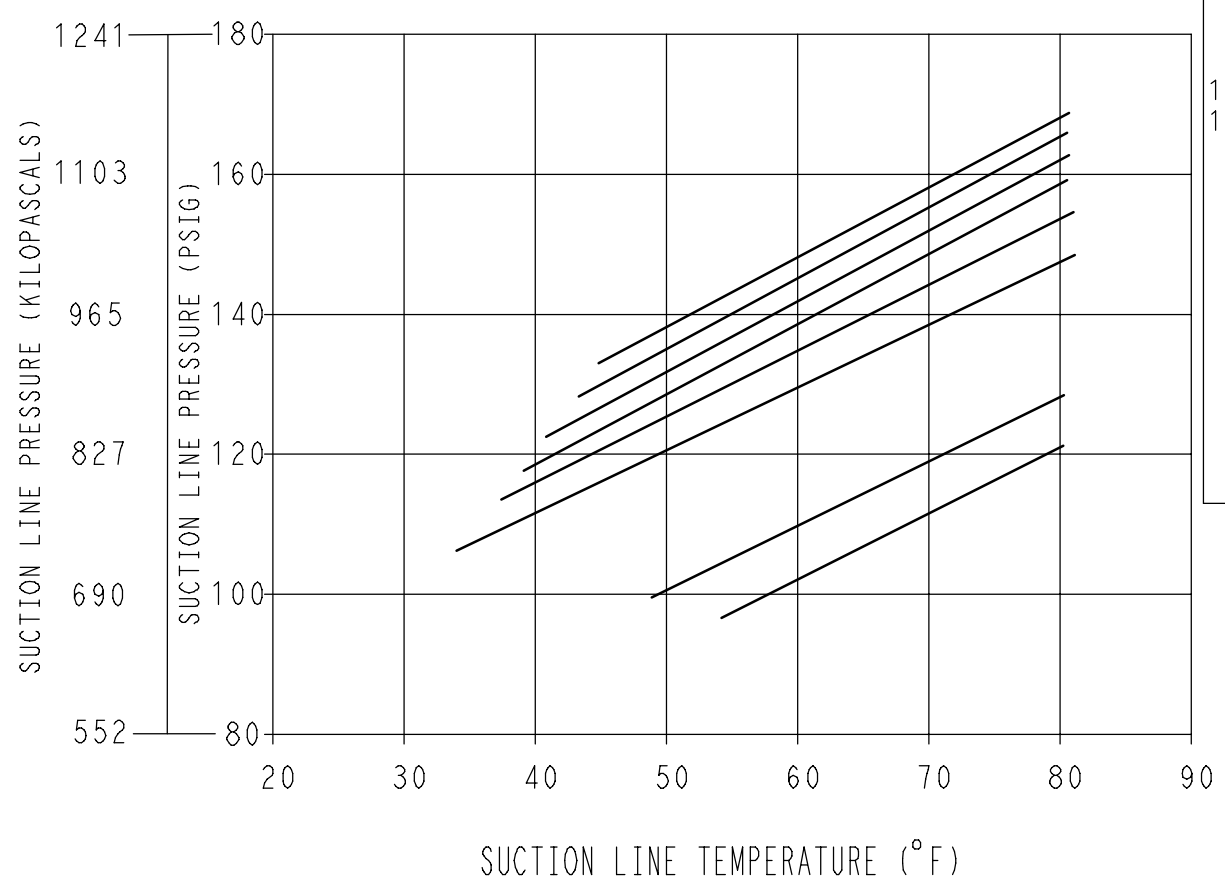
48TM500886 20

# SUPER HEAT

## RAS 10 TON CHARGING CHART

### R-410A REFRIGERANT

OUTDOOR TEMP	
°F	/ °C
115	/ 46
105	/ 41
95	/ 35
85	/ 29
75	/ 24
65	/ 18
55	/ 13
45	/ 7

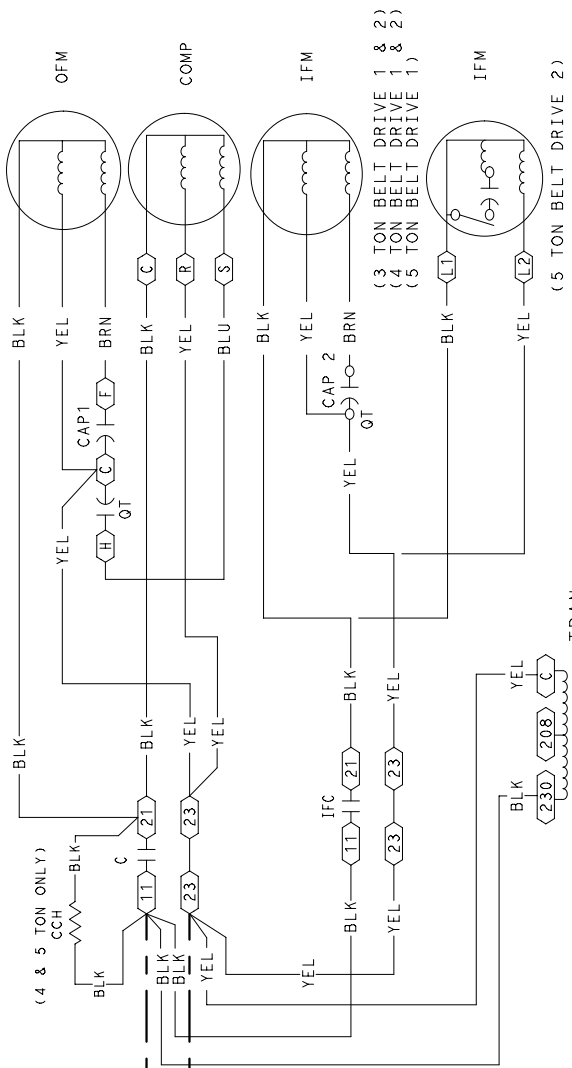


-7      -1      4      10      16      21      27      32

SUCTION LINE TEMPERATURE (°C)

1. Top Line Represents Highest Outdoor Temperature
2. Bottom Line Represents Lowest Outdoor Temperature
3. If Super Heat Readings Are Below The Outdoor Ambient Line Add Charge
4. If Super Heat Readings Are Above The Outdoor Ambient Line Remove Charge

48TM500887 20



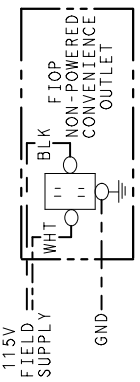
- C CAP
- CB CONTACTOR, COMPRESSOR
- CB CIRCUIT BREAKER
- CCH CRANKCASE HEATER
- CCN CARRIER COMFORT NETWORK
- CWP COMPRESSOR SAFETY
- COMP COMPRESSOR MOTOR
- DDC DIRECT DIGITAL CONTROL
- FD FIRE SHUT DOWN
- FU FUSE
- GROUND GND
- HPS HIGH PRESSURE SWITCH
- IAQ INDOOR AIR QUALITY SENSORS
- IFC INDOOR FAN CONTACTOR
- IFM INDOOR FAN MOTOR
- IRH INDOOR RELATIVE HUMIDITY
- LA LOW AMBIENT LOCKOUT
- LOOP LOOP
- LPS LOW PRESSURE SWITCH
- LSM LIMIT SWITCH (MANUAL RESET)
- OAO OUTDOOR AIR QUALITY
- OAT OUTDOOR AIR TEMP. SEN
- OFM OVERLOAD RELAY
- OLR OVERLOAD RELAY
- PLR PLUG ASSEMBLY
- POT POTENTIOMETER
- PRM PHASE MONITOR RELAY
- QUADRUPLER QUADRUPLE TERMINAL RELAY
- RAT RETURN AIR TEMP. SEN
- RMT REMOTE OCCUPANCY
- SAT SUPPLY AIR TEMP. SEN
- SEN SENSOR
- SET SET POINT OFFSET
- SFS SUPPLY FAN STATUS
- TDR TIME DELAY RELAY
- TRAN TRANSFORMER

- NOTES
1. IF ANY OF THE ORIGINAL WIRE FURNISHED MUST BE REPLACED, IT MUST BE REPLACED WITH TYPE 90 C WIRE OR ITS EQUIVALENT. COMPRESSOR AND FAN MOTORS ARE THERMALLY PROTECTED.
  2. 208/230V UNIT TRAN IS WIRED FOR 230V UNIT. IF UNIT IS TO BE RUN WITH 208V POWER, SUPPLY DISCONNECT BLK WIRE FROM 230V TAP AND CONNECT TO 200V TAP.
  3. USE COPPER, COPPER CLAD, ALUMINUM OR ALUMINUM CONNECTORS.
  4. USE COPPER CONDUCTOR ONLY.

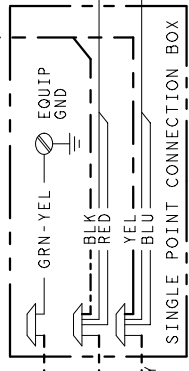
LEGEND

- (X) MARKED WIRE
- (X) TERMINAL (MARKED)
- (X) TERMINAL (UNMARKED)
- (X) TERMINAL BLOCK
- SPLICE
- SPLICE (MARKED)
- FACTORY WIRING
- FIELD CONTROL WIRING
- FIELD POWER WIRING
- CIRCUIT BOARD TRACE
- ACCESSORY OR OPTIONAL WIRING
- TO INDICATE COMMON POTENTIAL ONLY; NOT TO REPRESENT WIRING

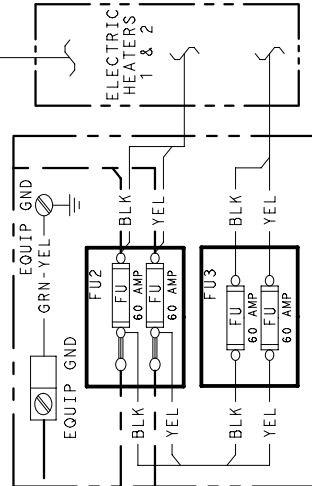
RELOCATE TO SINGLE POINT BOX WHEN ELECTRIC HEAT OPTION IS USED.  
 MAXIMUM WIRE SIZE 2 AWG SEE NOTE#5

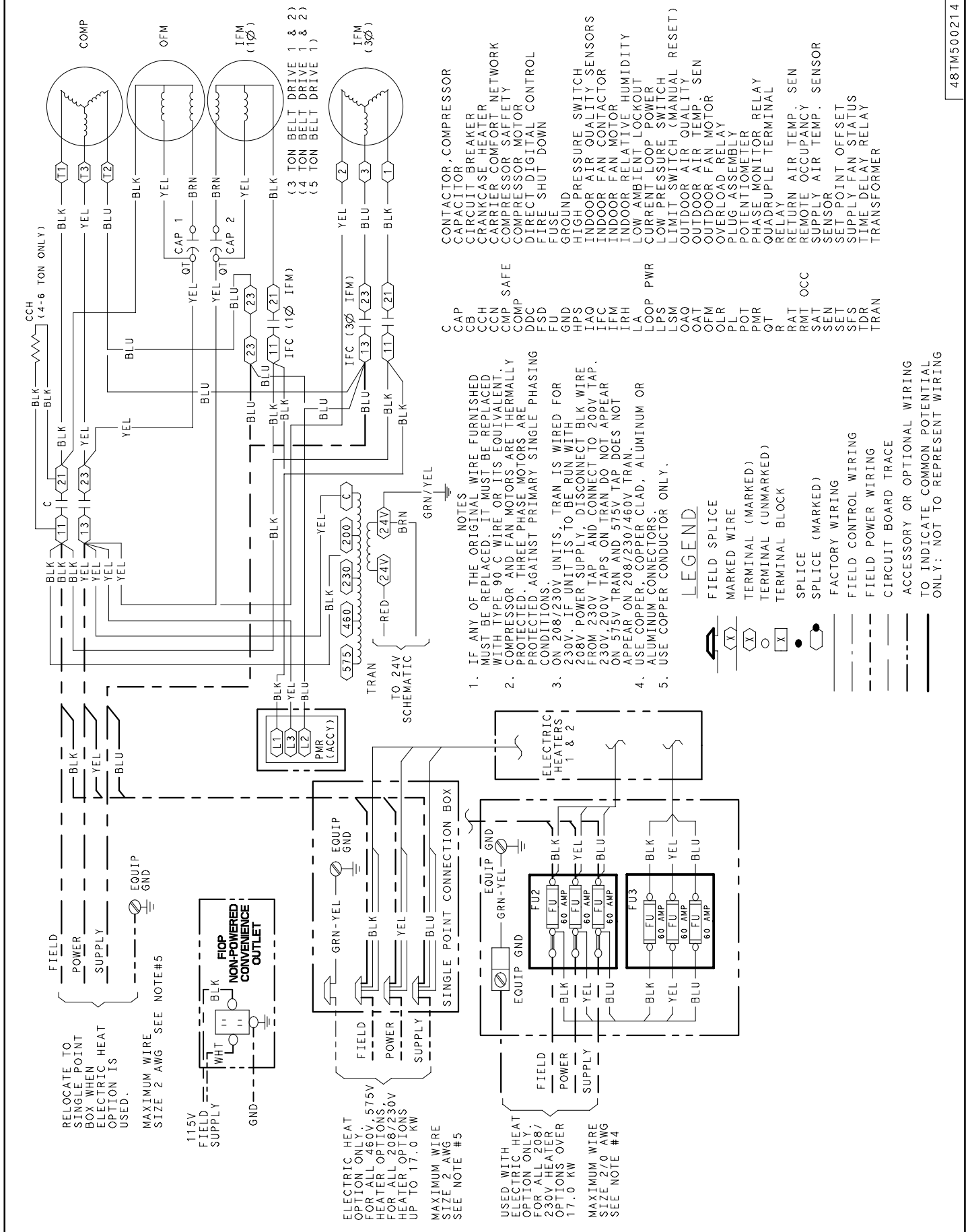


ELECTRIC HEAT OPTION ONLY. USED WITH HEATER OPTIONS UP TO 11.0 KW  
 MAXIMUM WIRE SIZE 2 AWG SEE NOTE #5



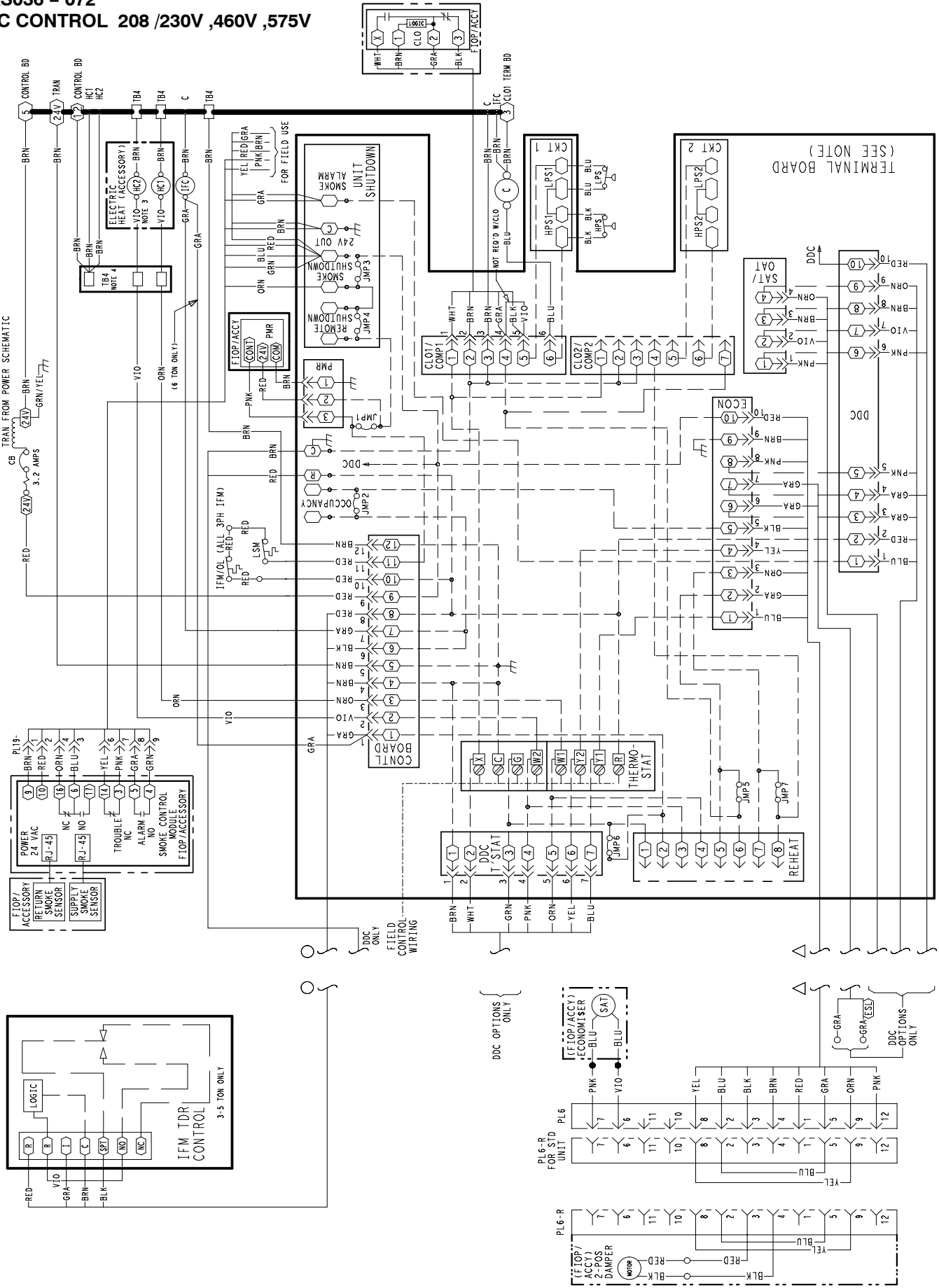
USED WITH ELECTRIC HEAT OPTION ONLY. USED WITH HEATER OPTIONS OVER 11.0 KW  
 MAXIMUM WIRE SIZE 2/0 AWG SEE NOTE #4



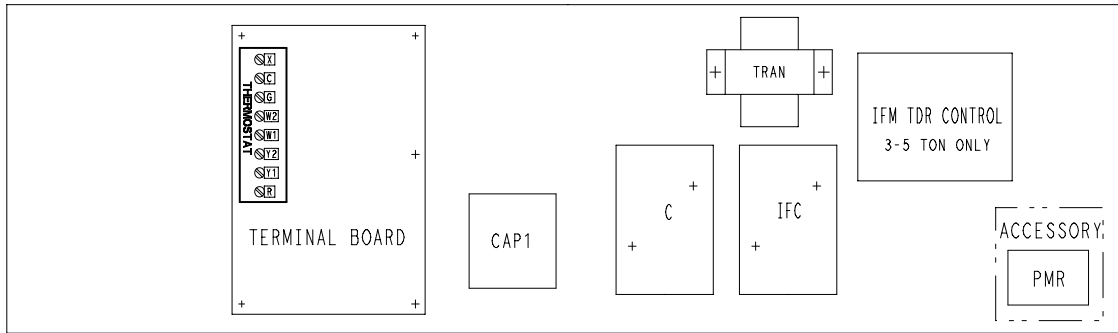


**RAS036 - 072**  
**PAC CONTROL 208 /230V ,460V ,575V**

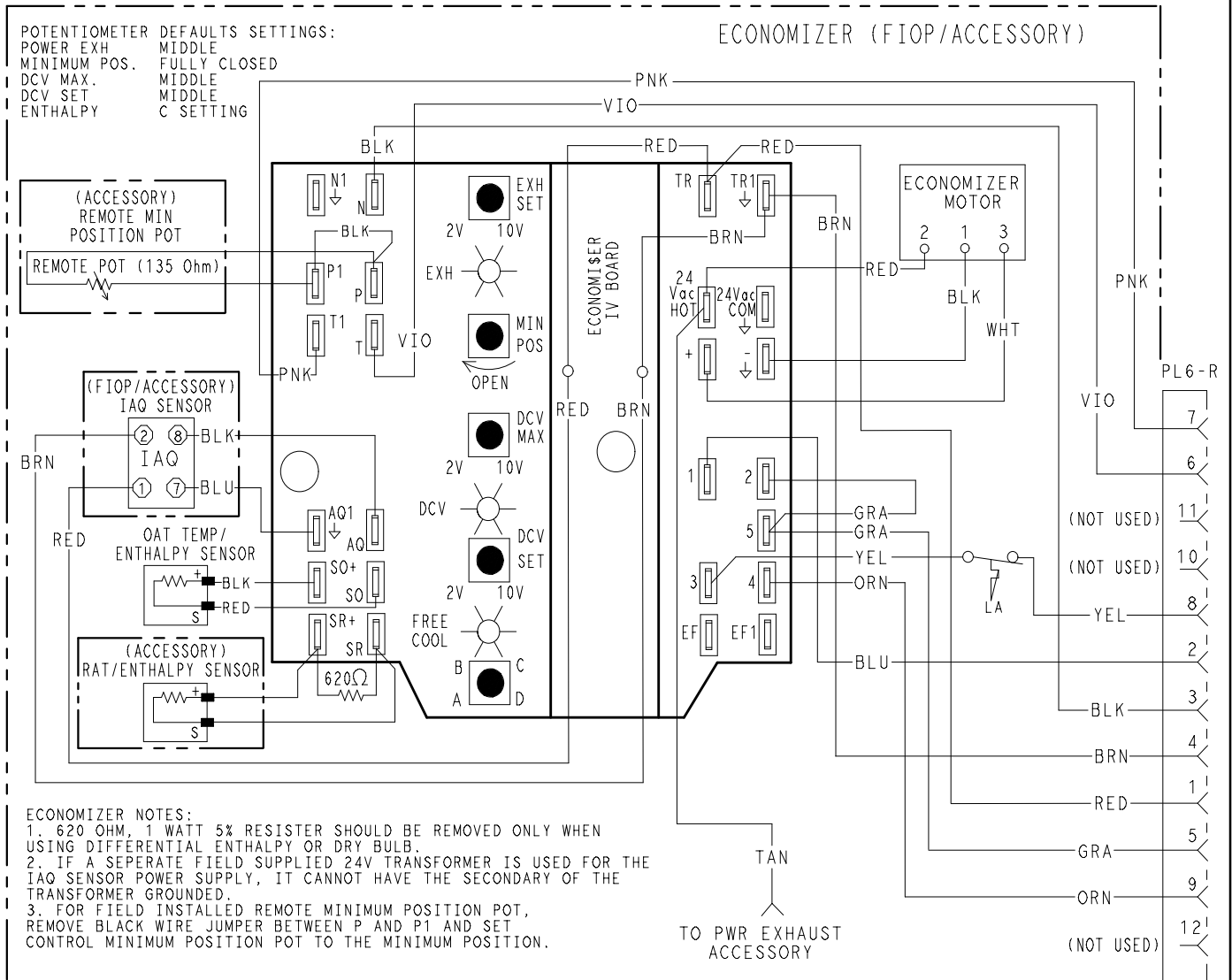
48TMS00212 7.0

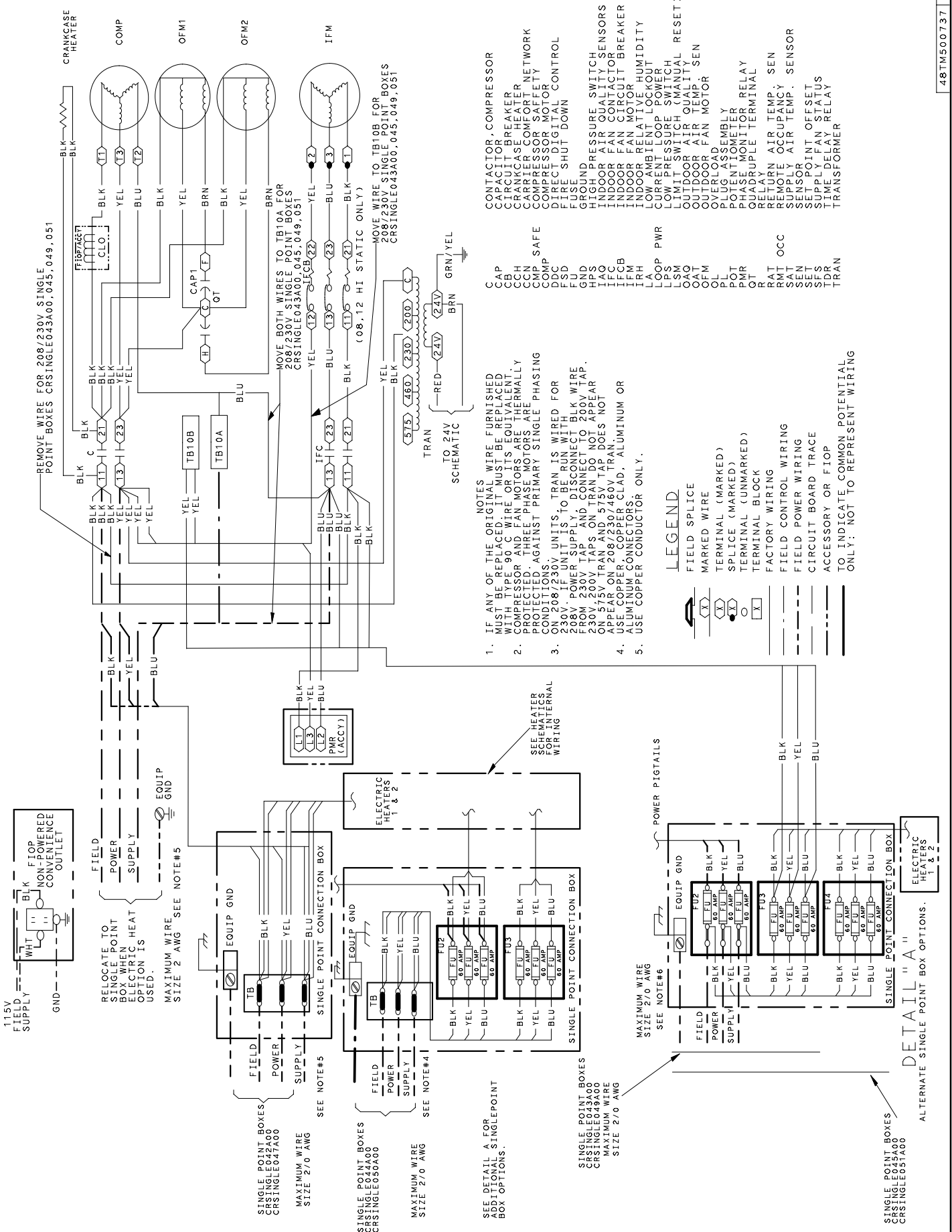


COMPONENT ARRANGEMENT



- NOTES: 1. TERMINAL BOARD SCHEMATIC LAYOUT DOES NOT MATCH ACTUAL TERMINAL BOARD TO SIMPLIFY CIRCUIT TRACES.  
 2. ENSURE DESIGNATED JUMPERS ON TERMINAL BOARD ARE CUT WHEN ADDING SMOKE DETECTORS, PHASE LOSS RELAY, OCCUPANCY AND REMOTE SHUTDOWN.  
 3. FOR SINGLE STAGE ELECTRIC HEAT OPTION, MOVE VIOLET HEATER WIRE FROM TB4-VIOLET WIRE TO TB4-ORANGE WIRE.  
 4. TB4 LOCATED IN HEAT SECTION.





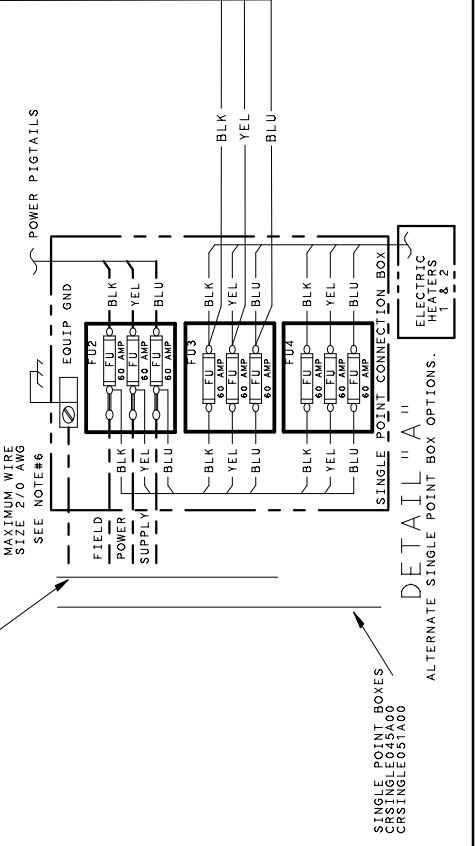
- REMOVE WIRE FOR 208/230V SINGLE POINT BOXES CRSINGLE043A00, 045, 049, 051
- MOVE BOTH WIRES TO TB10B FOR 208/230V SINGLE POINT BOXES CRSINGLE043A00, 045, 049, 051
- MOVE WIRE TO TB10B FOR 208/230V SINGLE POINT BOXES CRSINGLE043A00, 045, 049, 051 (08, 11 HI STATIC ONLY)
- TO 24V SCHEMATIC
- TRAN (575) (460) (230) (200)

- NOTES
- IF ANY OF THE ORIGINAL WIRE FURNISHED WITH TYPE 90 C WIRE OR ITS EQUIVALENT, COMPRESSOR AND FAN MOTORS ARE THERMALLY PROTECTED. THREE PHASE MOTORS ARE PHASING CONDITORS. AGAINST PRIMARY SINGLE PHASING
  - ON 208/230V UNITS, TRAN IS WIRED FOR 230V. IF UNIT IS TO BE RUN WITH 208V POWER SUPPLY, DISCONNECT BLK WIRE FROM 230V TAP AND CONNECT TO 200V TAP.
  - ON 230V, TRAN AND 575V TAP DOES NOT APPEAR ON 2/5 OF TRAN AND 460V TAP DOES NOT APPEAR ON 2/5 OF TRAN.
  - USE COPPER CONNECTORS, ALUMINUM OR ALUMINUM COPPER CLAD, ALUMINUM OR ALUMINUM COPPER CONDUCTOR ONLY.

- LEGEND
- FIELD SPlice
  - MARKED WIRE
  - TERMINAL (MARKED)
  - SPlice (MARKED)
  - TERMINAL (UNMARKED)
  - TERMINAL BLOCK
  - FACTORY WIRING
  - FIELD CONTROL WIRING
  - FIELD POWER WIRING
  - CIRCUIT BOARD TRACE
  - ACCESSORY OR FIOP
  - TO INDICATE COMMON POTENTIAL ONLY: NOT TO REPRESENT WIRING

- CONTACTOR, COMPRESSOR
- CAPACITOR
- CIRCUIT BREAKER
- CRANKCASE HEATER
- CARRIER COMPRESSOR NETWORK
- COMPRESSOR MOTOR
- DIRECT DIGITAL CONTROL
- FIRE SHUT DOWN
- FUSE
- FUSE
- GROUND
- HIGH PRESSURE SWITCH SENSORS
- INDOOR AIR QUALITY SENSORS
- INDOOR FAN CAPACITOR BREAKER
- INDOOR FAN MOTOR
- INDOOR RELATIVE HUMIDITY
- LOW AMBIENT LOCKOUT
- CURRENT LOOP POWER
- LOW PRESSURE SWITCH
- LIMIT SWITCH (MANUAL RESET)
- OUTDOOR AIR QUALITY SEN
- OUTDOOR FAN MOTOR
- OVERLOAD
- PLUG ASSEMBLY
- POTENTIOMETER RELAY
- PHASE MONITOR RELAY
- QUADRUPLE TERMINAL
- QT
- RAT
- RELAY AIR TEMP. SEN
- REMOTE OCCUPANCY SENSOR
- SUPPLY AIR TEMP. SENSOR
- SET POINT OFFSET
- SET POINT FAN STATUS
- TIME DELAY RELAY
- TRANSFORMER

DETAIL "A"

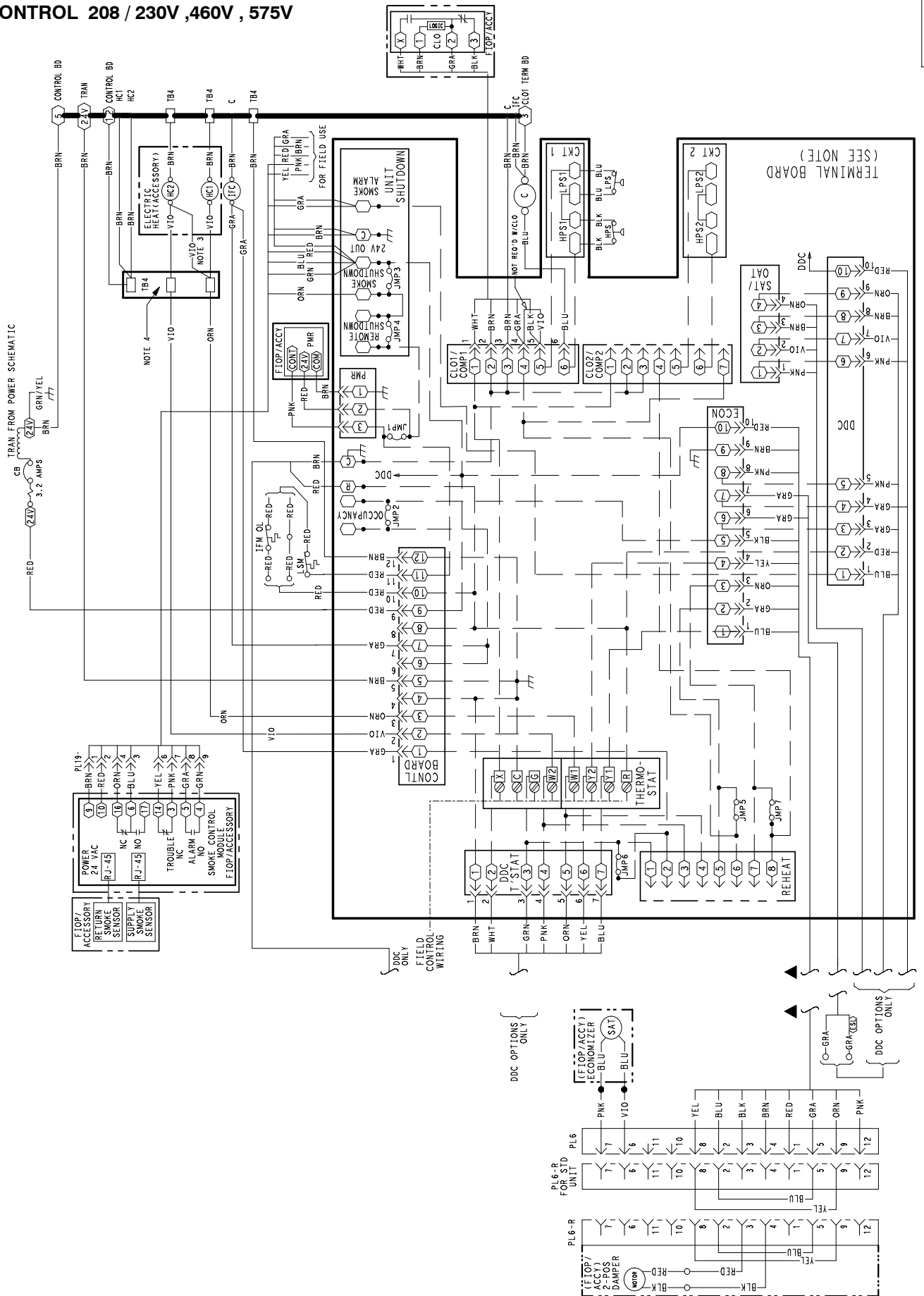


ALTERNATE SINGLE POINT BOX OPTIONS.

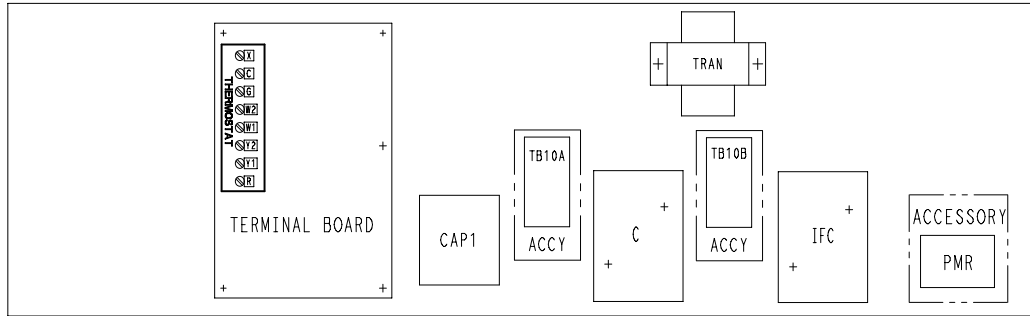


**RAS091 - 121**  
**PAC CONTROL 208 / 230V ,460V , 575V**

48TMS0928 6.0



COMPONENT ARRANGEMENT



- NOTES:
1. TERMINAL BOARD SCHEMATIC LAYOUT DOES NOT MATCH ACTUAL TERMINAL BOARD TO SIMPLIFY CIRCUIT TRACES.
  2. ENSURE DESIGNATED JUMPERS ON TERMINAL BOARD ARE CUT WHEN ADDING SMOKE DETECTORS, PHASE LOSS RELAY, OCCUPANCY AND REMOTE SHUTDOWN.
  3. FOR SINGLE STAGE ELECTRIC HEAT OPTION, MOVE VIOLET WIRE FROM TB4-VIOLET TO TB4-ORANGE.
  4. TB4 LOCATED IN HEAT SECTION.

