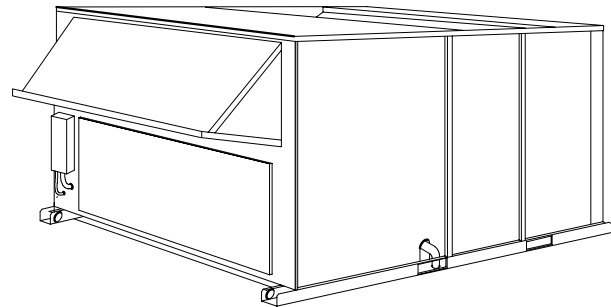


Parts List

Wiring Diagrams

Charging Charts

<u>Table of Contents</u>	<u>Page</u>
PHE156H Parts List	2 - 3
PHE156L Parts List	3 - 4
PHE156 Parts Drawings	5 - 11
PHE180H Parts List	12 - 13
PHE180L Parts List	13 - 14
PHE180 Parts Drawings	15 - 21
PHE156H Wiring Diagram	22
PHE156L Wiring Diagram	23
PHE156 Charging Chart	24
PHE180H Wiring Diagram	25
PHE180L Wiring Diagram	26
PHE180 Charging Chart	27



Models

**Three Phase
208-230, 460 Volt**

**PHE156H000A
PHE156L000A**

**PHE180H000A
PHE180L000A**

**PACKAGE
HEAT PUMP UNITS**

PHE156H000A Parts List

Key No.	Part Number	Description	QTY	Key No.	Part Number	Description	QTY
002	1171392	PLATE,25% AIR	1	075	1171465	SUPPORT, TOP (CONTROL BOX SIDE)	1
005	1171457	SLIDER,25% AIR	1	076	1171847	SUPPORT, TOP (IFM ACCESS SIDE)	1
007	1171178	COVER,HEATER (CONTROL BOX SIDE)	1	077	1171377	ACCESS PANEL, OUTDOOR SECTION	2
009	1171209	BAFFLE, FAN ACCESS	1	078	1171378	ACCESS PANEL, CENTER (IFM SIDE)	2
010	1171319	COVER, FILTER ACCESS	1	079	1171085	FILTER ANGLE, OUTSIDE AIR HOOD	1
011	1171171	CORNER POST, CONTROL BOX SIDE	1	080	1173459	COMPRESSOR	1
012	1171379	ACCESS PANEL, INDOOR SECTION	2	081	1173516	HEATER, CRANKCASE (CH1)	1
013	1171408	CORNER POST, IFM ACCESS SIDE	1	082	1173560	VALVE ASY, SCHRAEDER	1
020	1171022	BASE PAN	1	084	1171553	SWITCH, PRESSURE (HPS1)	1
021	1171366	PLATE, BLOCKOFF	2	088	1173440	COIL, SOLENOID (U)	1
022	1171411	POST, CONDENSER (CONTROL BOX SIDE)	1	089	1173438	CLIP, CRANKCASE HEATER	1
023	1171021	BASE PAN	1	091	1173556	TEE (COMP-FUSIBLE PLUG)	1
024	1171019	LATCH ASY	8	092	1173533	PLUG, FUSIBLE (COMPRESSOR)	1
025	1171354	DECK, FAN	1	095	1172132	STRAP, CAPACITOR	1
026	1171266	GUARD, FAN	3	096	1171256	BRACKET, FUSE	1
034	1171311	DECK, INDOOR FAN (CENTER)	1	099	1171167	CONTROL BOX	1
036	1171455	DECK, INDOOR FAN (CONTROL BOX SIDE)	1	100	1172140	BRACKET, CIRCUIT BREAKER	1
037	1172131	SUPPORT, EVAP COIL (IFM ACCESS SIDE)	1	101	1171020	BARRIER, FUSE/CIRCUIT BREAKER	1
038	1171176	POST, CONDENSER (IFM ACCESS SIDE)	1	102	1173425	BOARD, DEFROST (DB)	1
039	1171517	PAN, CONDENSATE	1	103	1171114	CIRCUIT BREAKER (CB3)(CB4)	2
040	1171361	PANEL, END (NO PWR EXH/BARO RELIEF)	1	104	1171163	CONTACTOR (OFC)	1
041	1171017	PANEL, INTERIOR (BELOW CONTROL BOX)	1	105	1172422	RELAY (CR)	1
042	1171881	HEAT BAFFLE (CONTROL BOX SIDE)	1	106	1171436	RELAY (DR)	1
044	1171217	PARTITION, UPPER FAN (ID/HEAT SECT)	1	107	1171433	RELAY (HR)	1
045	1171360	TOP COVER, EVAPORATOR	1	108	1173542	RELAY (RVR)	1
047	1171183	COVER, HOOD TOP	1	109	1171437	RELAY, LOCKOUT (CLO1)	1
048	1171241	BRACKET, FILTER	1	110	1171485	TERMINAL BLOCK (TB1)	1
049	1171015	ANGLE, FILTER	1	111	1173591	TERMINAL BLOCK (TB2)	1
050	1171084	BRACKET, FILTER	1	112	1171108	CAPACITOR, OFM (CAP1,2,3)	3
051	1171358	PAN, HOOD DRAIN	1	113	1173433	CIRCUIT BREAKER (CB1)	1
052	1171236	PAN, FILTER (CONTROL BOX SIDE)	1	115	1171163	CONTACTOR (OFC)	1
053	1171237	PAN, FILTER (IFM ACCESS SIDE)	1	116	1171498	TRANSFORMER (TRAN 1)(TRAN 2)	2
054	1171292	PAN, HEATER (CONTROL BOX SIDE)	1	117	1171813	RELAY (UR)	1
055	1171291	PAN, HEATER (IFM ACCESS SIDE)	1	118	1171162	CONTACTOR (C1)	1
056	1171014	ANGLE, SUPPORT	1	119	1171255	FUSE (FU1)(FU2)(FU3)	3
057	1171060	BRACE, UPPER	1	121	1171259	FUSE HOLDER (FU1)(FU2)(FU3)	3
058	1171468	SUPPORT, EVAP COIL (CNTRL BOX SIDE)	1	126	1171341	MOTOR, ALTERNATE (IFM)	1
059	1171030	RAIL, BASE	1	127	1171424	PULLEY, MOTOR	1
060	1171490	RAIL, TOP	1	128	1171511	BELT, ALTERNATE FAN	1
061	1171273	WIRE COVER, OUTDOOR FAN MOTOR	1	129	1173537	PULLEY	1
062	1171029	ANGLE, BASE RAIL	2	130	1171342	MOTOR, OUTDOOR FAN (OFM1,2,3)	3
063	1171204	RETAINER, FAN PARTITION	1	131	1171219	PROPELLER, FAN	3
066	1171028	RAIL, BASE (CONTROL BOX SIDE)	1	133	1171389	PLATE, MOTOR ADJUSTING (1" X 8.75")	1
067	1171027	RAIL, BASE (IFM ACCESS SIDE)	1	134	1171446	SCROLL, FAN	2
068	1171380	HOOD SIDE, RIGHT OUTSIDE AIR	1	135	1171398	PLATE, FANSIDE (OPP BEARING SIDE)	2
069	1171381	HOOD SIDE, LEFT OUTSIDE AIR	1	136	1171397	PLATE, FANSIDE (BEARING SIDE)	2
072	1171083	POST, CENTER (TWO PER SIDE)	4	137	1171185	CUTOFF, BLOWER	2
073	1171111	CHANNEL, DUCT	1	141	1171349	PLATE, MOTOR	1
074	1171489	TOP COVER, CONDENSER COIL	1	145	1171073	BRACKET ASSY, INDOOR FAN BEARING	2
				147	1171451	SHAFT, INDOOR FAN	1

PHE156H000A Parts List (Cont.)

Key No.	Part Number	Description	QTY
149	1171055	BOLT,BELT ADJUSTMENT(5/16-18X15")	2
150	1171320	KEY	1
153	1171035	BEARING,INDOOR FAN	2
154	1171048	WHEEL,BLOWER	2
156	1173442	COIL,INDOOR	1
161	1173564	VALVE,CHECK	1
165	1173431	VALVE,CHECK	2
166	1171203	DRIER,FILTER	1
167	1173450	COIL,OUTDOOR	1
174	1173546	STRAINER	1
178	1171507	VALVE,SCHRAEDER	1
179	1173568	VALVE,REVERSING	1
180	1173566	VALVE,DISCHARGE	1
183	1173569	VALVE,SUCTION	1
184	1173497	GASKET,SUCTION VALVE	1
185	1173494	GASKET WASHER,SUCTION VALVE	4
187	1173417	ACCUMULATOR	1
199	1172133	STRAP,FILTER DRIER	1
200	1173496	GASKET,DISCHARGE VALVE	1
202	1173493	GASKET WASHER,DISCHARGE VALVE	2
203	1171101	CAP,FLARE	3
203	1173177	CORE,VALVE	2
204	1171170	CORE,SERVICE VALVE	2
204	1171508	CORE,SCHRAEDER VALVE	3
205	1172619	COIL,SOLENOID (RVS1)	1
206	1171402	PLUG FUSIBLE (TOP OF ACCUMULATOR)	1
207	1171252	TSTAT,FREEZE PROTECTION (FPT)	1
208	1173559	TSTAT,DEFROST (DFT1)	1
209	1173554	SWITCH,PRESSURE (LPS1)	1
210	1171118	ANGLE,FILTER	1
211	1171492	TRACK,FILTER	3
212	1171491	TRACK,FILTER	1
213	1171464	SUPPORT,LOWER	1
214	1171042	PANEL,BLOCKOFF	1
215	1171229	FILTER	4
216	1171010	FILTER	4
)	1171184	HOOD ASY,OUTSIDE AIR	1
)	1171189	SUPPORT,DECK (BETWEEN OFM ORIFICES)	2
)	1171235	FILTER PACKAGE,OUTSIDE AIR HOOD	1
)	1171243	FILTER	1
)	1171244	FILTER	2
)	1171357	PAINT,TOUCHUP	1
)	1171404	PLUG ASY	1
)	1171430	CONNECTOR	1
)	1171458	SPACER,FILTER	1
)	1171836	CUP,SPRING	2
)	1173483	DECK,INDOOR FAN (IFM ACCESS SIDE)	1
)	1173510	HARNES ASY,COMPRESSOR #1	1
)	1173583	SPRING	4

PHE156L000A Parts List

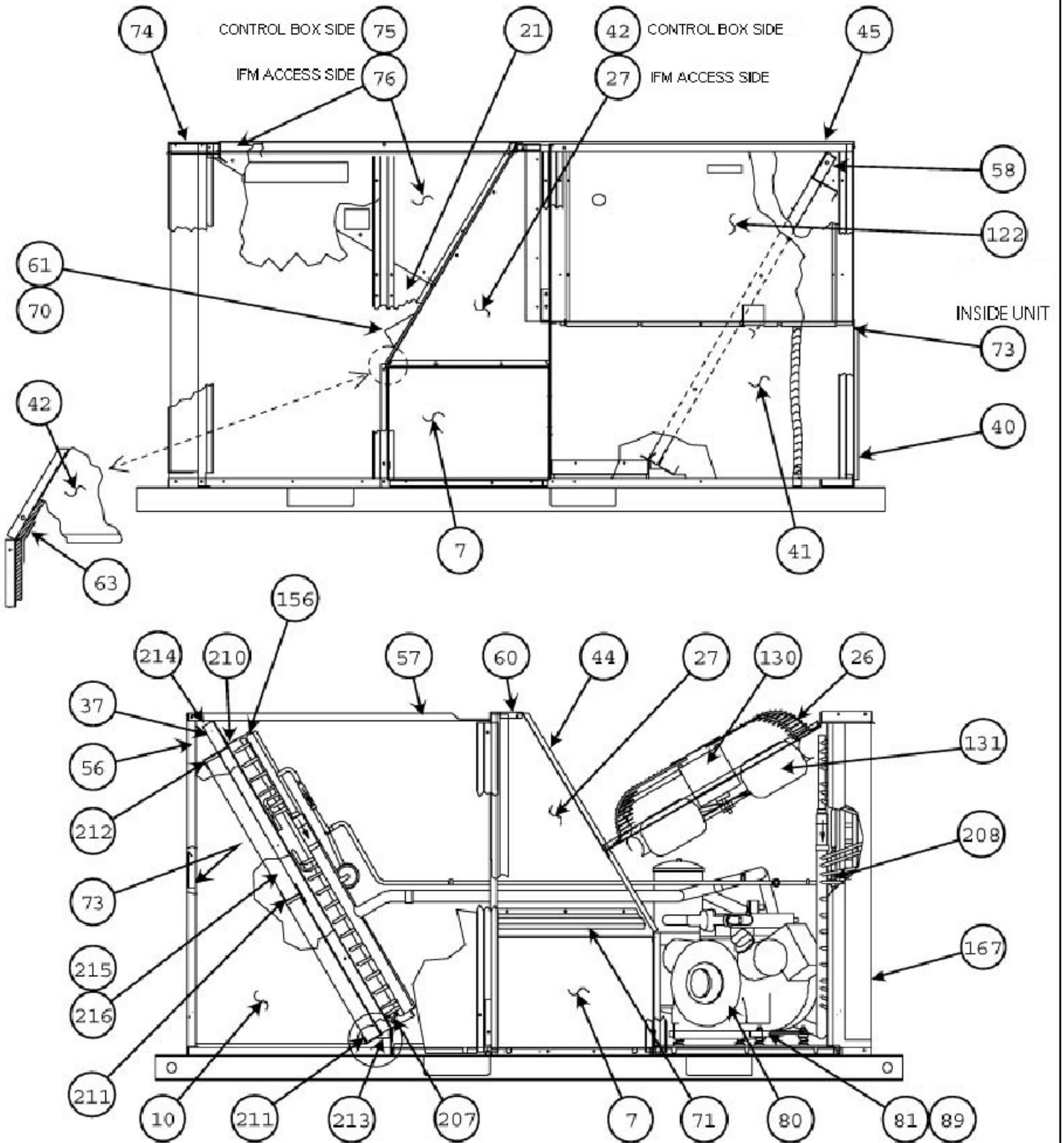
Key No.	Part Number	Description	QTY
002	1171392	PLATE,25% AIR	1
005	1171457	SLIDER,25% AIR	1
007	1171178	COVER,HEATER (CONTROL BOX SIDE)	1
009	1171209	BAFFLE,FAN ACCESS	1
010	1171319	COVER,FILTER ACCESS	1
011	1171171	CORNER POST,CONTROL BOX SIDE	1
012	1171379	ACCESS PANEL,INDOOR SECTION	2
013	1171408	CORNER POST,IFM ACCESS SIDE	1
020	1171022	BASE PAN	1
021	1171366	PLATE,BLOCKOFF	2
022	1171411	POST,CONDENSER (CONTROL BOX SIDE)	1
023	1171021	BASE PAN	1
024	1171019	LATCH ASY	8
025	1171354	DECK,FAN	1
026	1171266	GUARD,FAN	3
034	1171311	DECK,INDOOR FAN (CENTER)	1
036	1171455	DECK,INDOOR FAN(CONTROL BOX SIDE)	1
037	1172131	SUPPORT,EVAP COIL(IFM ACCES SIDE)	1
038	1171176	POST,CONDENSER (IFM ACCESS SIDE)	1
039	1171517	PAN,CONDENSATE	1
040	1171361	PANEL,END	1
041	1171017	PANEL,INTERIOR(BELOW CONTROL BOX)	1
042	1171881	HEAT BAFFLE (CONTROL BOX SIDE)	1
044	1171217	PARTITION,UPPER FAN(ID/HEAT SECT)	1
045	1171380	TOP COVER,EVAPORATOR	1
047	1171183	COVER,HOOD TOP	1
048	1171241	BRACKET,FILTER	1
049	1171015	ANGLE,FILTER	1
050	1171084	BRACKET,FILTER	1
051	1171358	PAN,HOOD DRAIN	1
052	1171236	PAN,FILTER (CONTROL BOX SIDE)	1
053	1171237	PAN,FILTER (IFM ACCESS SIDE)	1
054	1171292	PAN,HEATER (CONTROL BOX SIDE)	1
055	1171291	PAN,HEATER (IFM ACCESS SIDE)	1
056	1171014	ANGLE,SUPPORT	1
057	1171060	BRACE,UPPER	1
058	1171468	SUPPORT,EVAP COIL(CNTRL BOX SIDE)	1
059	1171030	RAIL,BASE	1
060	1171490	RAIL,TOP	1
061	1171273	WIRE COVER,OUTDOOR FAN MOTOR	1
062	1171029	ANGLE,BASE RAIL	2
063	1171204	RETAINER,FAN PARTITION	1
066	1171028	RAIL,BASE (CONTROL BOX SIDE)	1
067	1171027	RAIL,BASE (IFM ACCESS SIDE)	1
068	1171380	HOOD SIDE,RIGHT OUTSIDE AIR	1
069	1171381	HOOD SIDE,LEFT OUTSIDE AIR	1
072	1171083	POST,CENTER (TWO PER SIDE)	4
073	1171111	CHANNEL,DUCT	1
074	1171489	TOP COVER,CONDENSER COIL	1
075	1171465	SUPPORT, TOP (CONTROL BOX SIDE)	1

PHE156L000A Parts List (Cont.)

Key No.	Part Number	Description	QTY
076	1171847	SUPPORT, TOP (IFM ACCESS SIDE)	1
077	1171377	ACCESS PANEL, OUTDOOR SECTION	2
078	1171378	ACCESS PANEL, CENTER (IFM SIDE)	2
079	1171085	FILTER ANGLE, OUTSIDE AIR HOOD	1
080	1173457	COMPRESSOR	1
081	1173517	HEATER, CRANKCASE (CH1)	1
082	1173560	VALVE ASY, SCHRAEDER	1
084	1171553	SWITCH, PRESSURE (HPS1)	1
088	1173440	COIL, SOLENOID (U)	1
089	1173438	CLIP, CRANKCASE HEATER	1
091	1173556	TEE (COMP-FUSIBLE PLUG)	1
092	1173533	PLUG, FUSIBLE (COMPRESSOR)	1
095	1172132	STRAP, CAPACITOR	1
096	1171256	BRACKET, FUSE	1
099	1171157	CONTROL BOX	1
100	1172140	BRACKET, CIRCUIT BREAKER	1
101	1171020	BARRIER, FUSE/CIRCUIT BREAKER	1
102	1173425	BOARD, DEFROST (DB)	1
103	1171114	CIRCUIT BREAKER (CB3)(CB4)	2
104	1171163	CONTACTOR (OFC)	1
106	1171436	RELAY (DR)	1
107	1171433	RELAY (HR)	1
108	1173542	RELAY (RVR)	1
109	1171437	RELAY, LOCKOUT (CLO1)	1
110	1171485	TERMINAL BLOCK (TB1)	1
111	1173591	TERMINAL BLOCK (TB2)	1
112	1171108	CAPACITOR, OFM (CAP1, 2, 3)	3
113	1173434	CIRCUIT BREAKER (CB1)	1
115	1171163	CONTACTOR (OFC)	1
116	1171498	TRANSFORMER (TRAN 1)(TRAN 2)	2
117	1171813	RELAY (UR)	1
118	1172449	CONTACTOR (C1)	1
119	1173489	FUSE (FU1)(FU2)(FU3)	3
121	1171258	FUSE HOLDER (FU1)(FU2)(FU3)	3
126	1171341	MOTOR, ALTERNATE (IFM)	1
127	1171424	PULLEY, MOTOR	1
128	1171511	BELT, ALTERNATE FAN	1
129	1173537	PULLEY	1
130	1171336	MOTOR, OUTDOOR FAN (OFM1, 2, 3)	3
131	1171219	PROPELLER, FAN	3
133	1171389	PLATE, MOTOR ADJUSTING (1" X 8.75")	1
134	1171446	SCROLL, FAN	2
135	1171398	PLATE, FANSIDE (OPP BEARING SIDE)	2
136	1171397	PLATE, FANSIDE (BEARING SIDE)	2
137	1171185	CUTOFF, BLOWER	2
141	1171349	PLATE, MOTOR	1
145	1171073	BRACKET ASSY, INDOOR FAN BEARING	2
147	1171451	SHAFT, INDOOR FAN	1
149	1171055	BOLT, BELT ADJUSTMENT(5/16-18X15")	2
150	1171320	KEY	1

Key No.	Part Number	Description	QTY
153	1171035	BEARING, INDOOR FAN	2
154	1171048	WHEEL, BLOWER	2
156	1173442	COIL, INDOOR (ALUMINUM FIN)	1
161	1173564	VALVE, CHECK	1
165	1173431	VALVE, CHECK	2
166	1171203	DRIER, FILTER	1
167	1173450	COIL, OUTDOOR (ALUMINUM FIN)	1
174	1173546	STRAINER	1
178	1171507	VALVE, SCHRAEDER	1
179	1173568	VALVE, REVERSING	1
180	1173566	VALVE, DISCHARGE	1
183	1173569	VALVE, SUCTION	1
184	1173497	GASKET, SUCTION VALVE	1
185	1173494	GASKET WASHER, SUCTION VALVE	4
187	1173417	ACCUMULATOR	1
199	1172133	STRAP, FILTER DRIER	1
200	1173496	GASKET, DISCHARGE VALVE	1
202	1173493	GASKET WASHER, DISCHARGE VALVE	2
203	1171101	CAP, FLARE	3
203	1173177	CORE, VALVE	2
204	1171170	CORE, SERVICE VALVE	2
204	1171508	CORE, SCHRAEDER VALVE	3
205	1172619	COIL, SOLENOID (RVS1)	1
206	1171402	PLUG, FUSIBLE (TOP OF ACCUMULATOR)	1
207	1171252	T'STAT, FREEZE PROTECTION (FPT)	1
208	1173559	T'STAT, DEFROST (DFT1)	1
209	1173554	SWITCH, PRESSURE (LPS1)	1
210	1171118	ANGLE, FILTER	1
211	1171492	TRACK, FILTER	3
212	1171491	TRACK, FILTER	1
213	1171464	SUPPORT, LOWER	1
214	1171042	PANEL, BLOCKOFF	1
215	1171229	FILTER	4
216	1171010	FILTER	4
()	1171184	HOOD ASY, OUTSIDE AIR	1
()	1171189	SUPPORT, DECK (BETWEEN OFM ORIFICES)	2
()	1171235	FILTER PACKAGE, OUTSIDE AIR HOOD	1
()	1171243	FILTER	1
()	1171244	FILTER	2
()	1171357	PAINT, TOUCHUP	1
()	1171404	PLUG ASY	1
()	1171430	CONNECTOR	1
()	1171458	SPACER, FILTER	1
()	1171836	CUP, SPRING	2
()	1173483	DECK, INDOOR FAN (IFM ACCESS SIDE)	1
()	1173510	HARNESS ASY, COMPRESSOR #1	1
()	1173583	SPRING	4

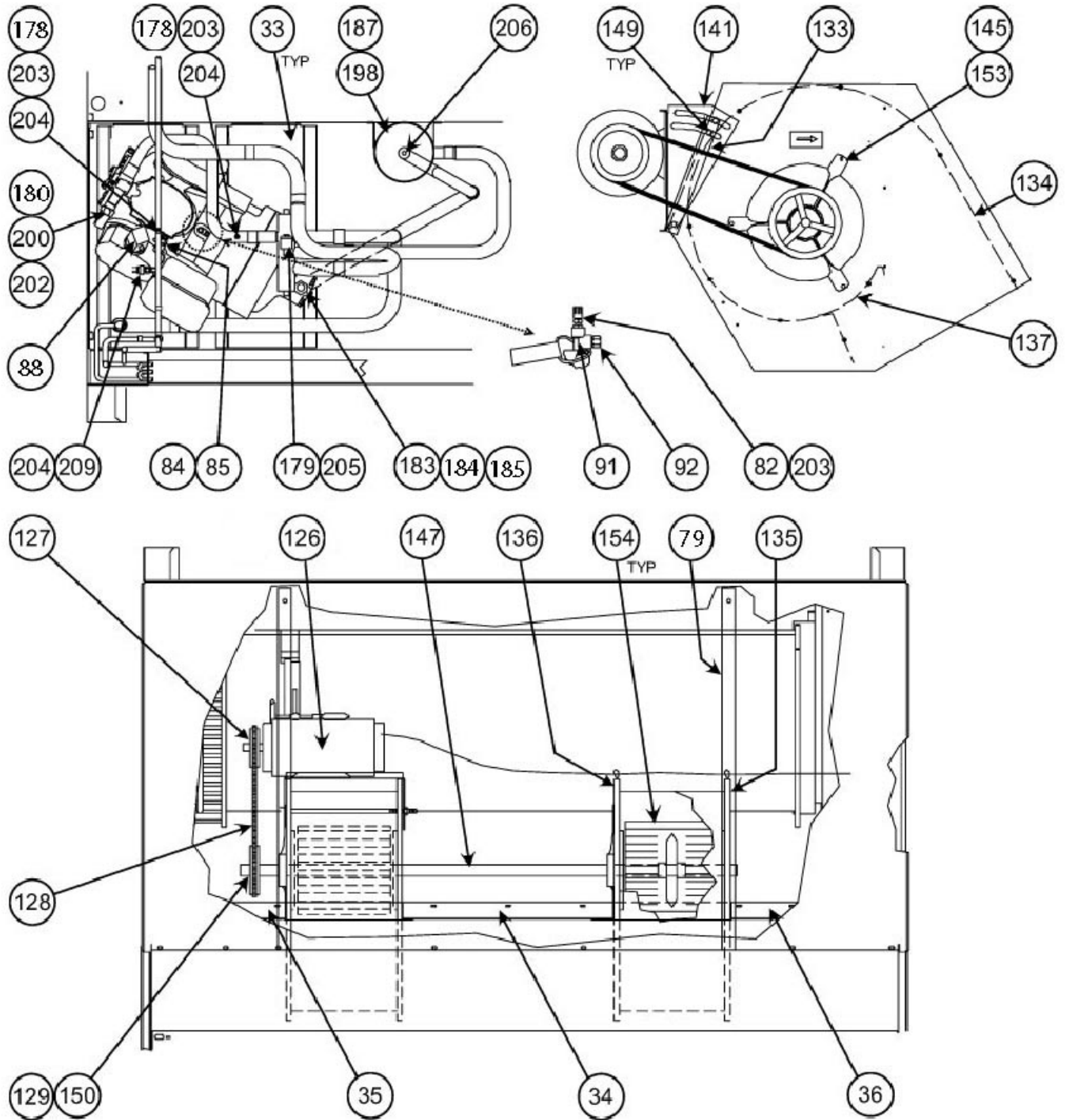
PHE156(H,L)000A



NOTE: This illustration is for reference only. Your unit may differ in appearance or may not include all components shown.

PHE01.JPG

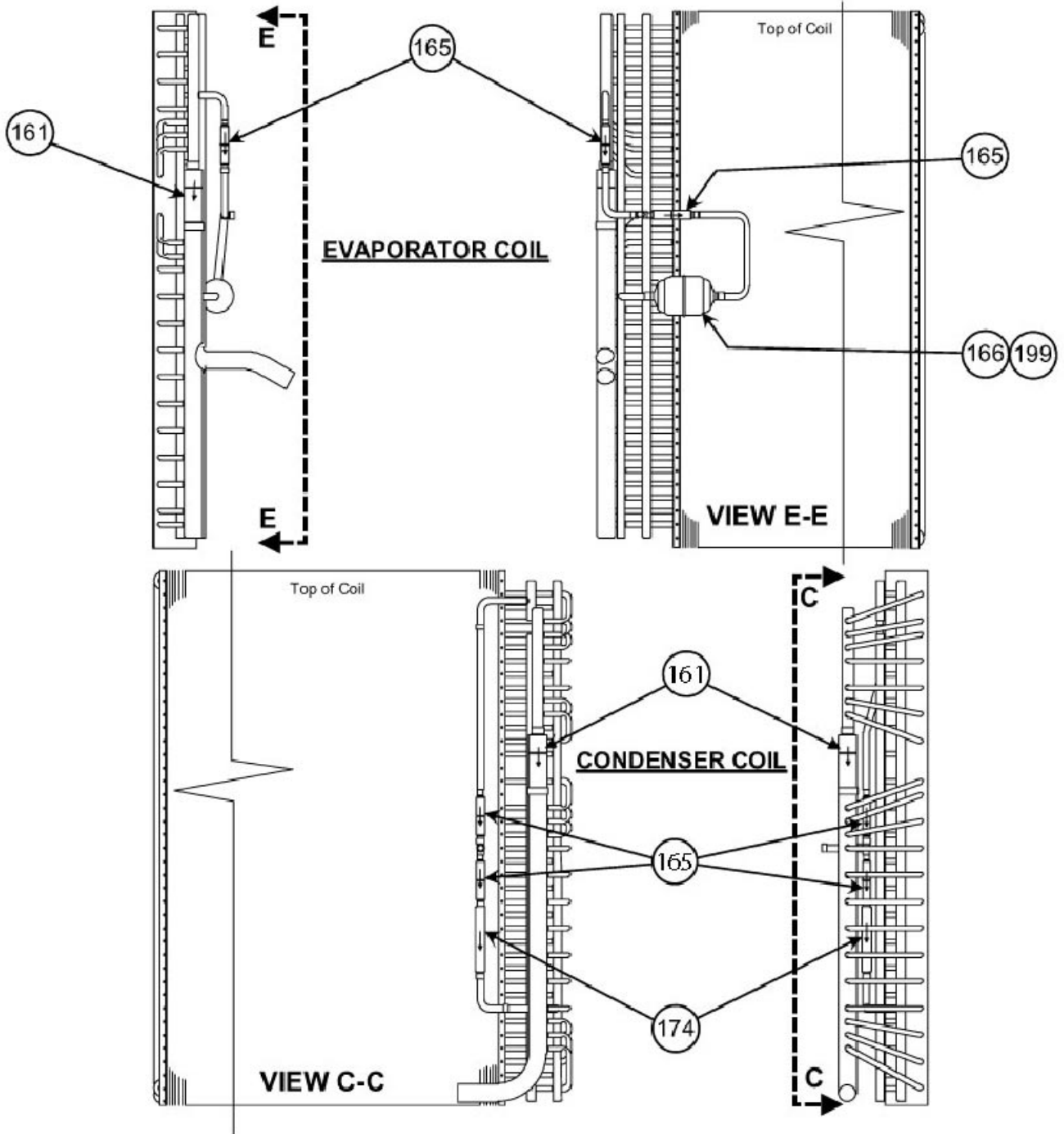
PHE156(H,L)000A



NOTE: This illustration is for reference only. Your unit may differ in appearance or may not include all components shown.

PHE02.JPG

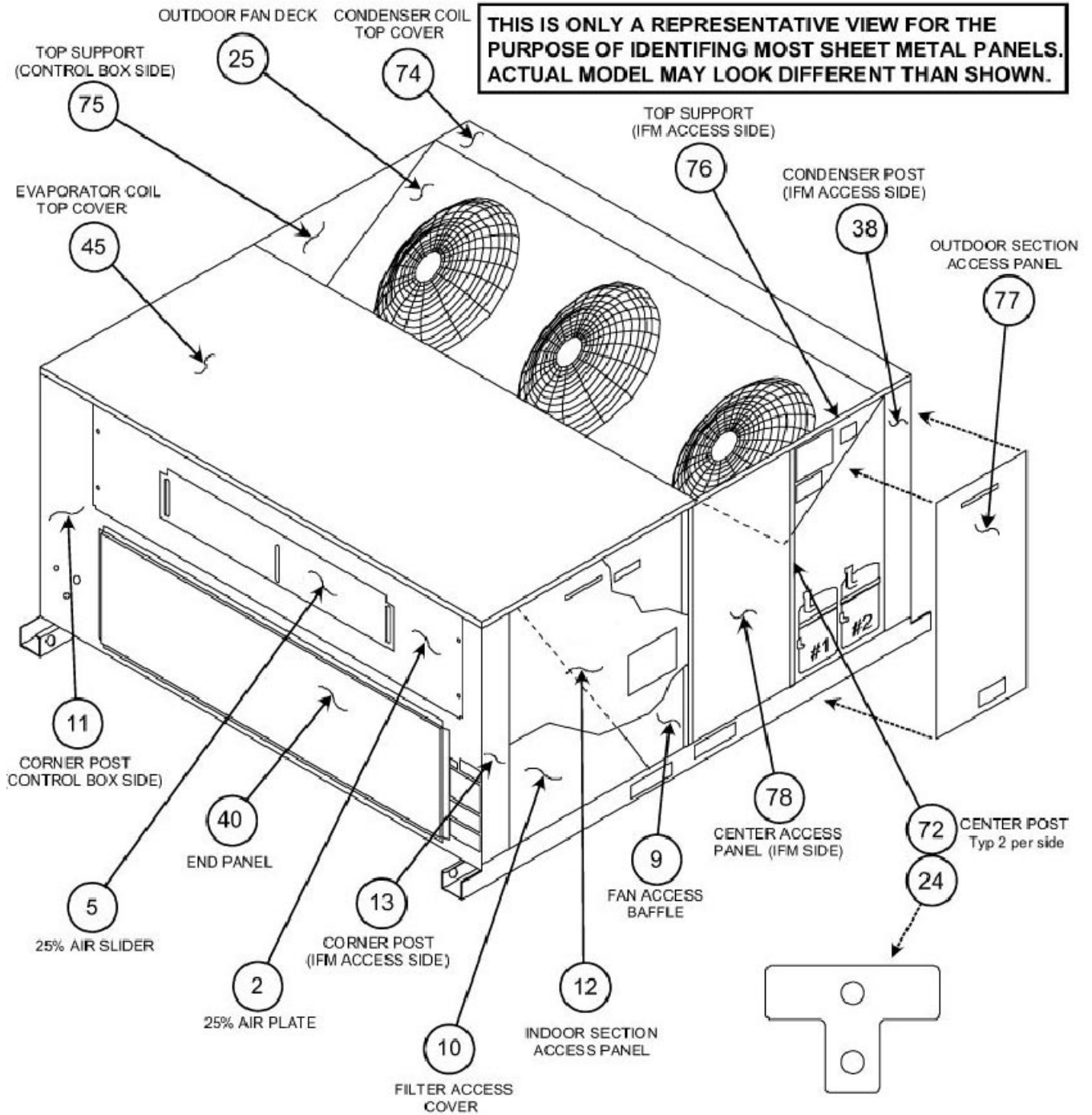
PHE156(H,L)000A



NOTE: This illustration is for reference only. Your unit may differ in appearance or may not include all components shown.

PHE03.JPG

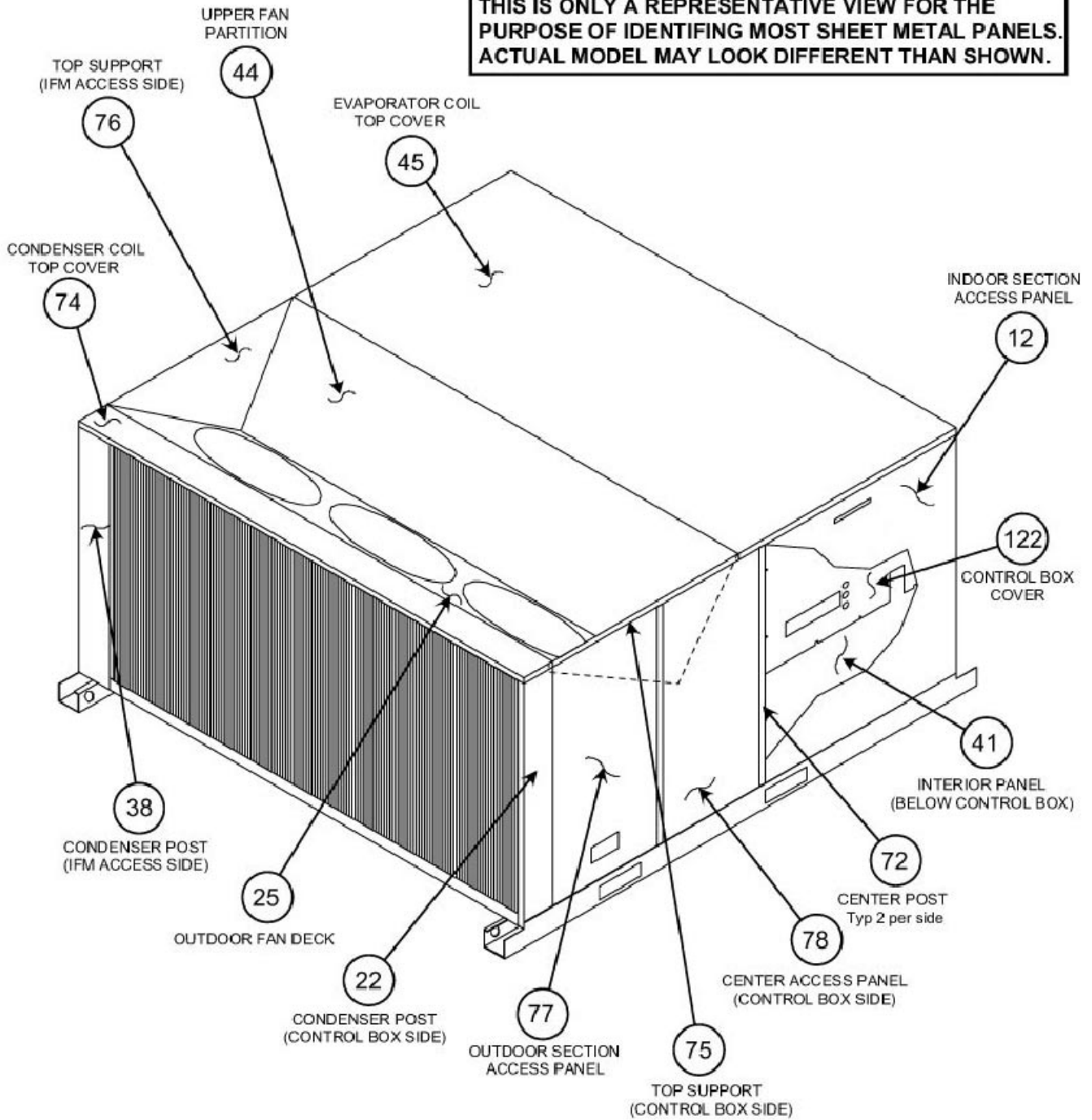
PHE156(H,L)000A



PHE04JPG

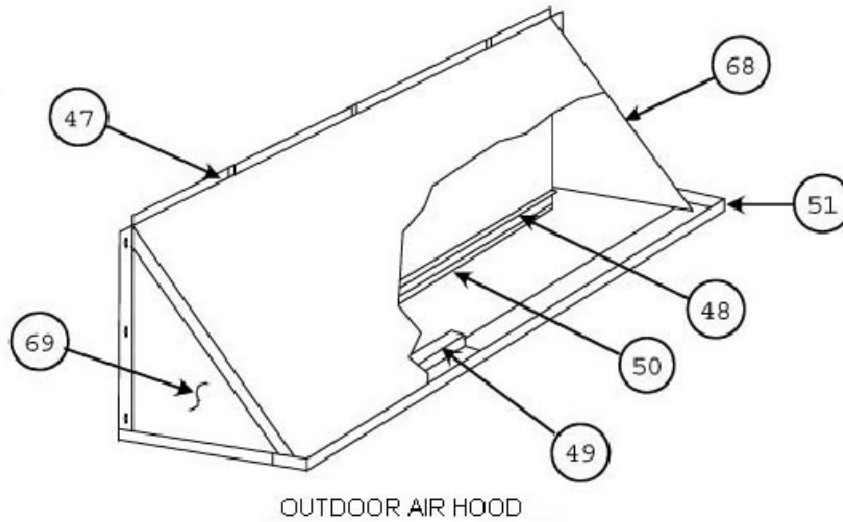
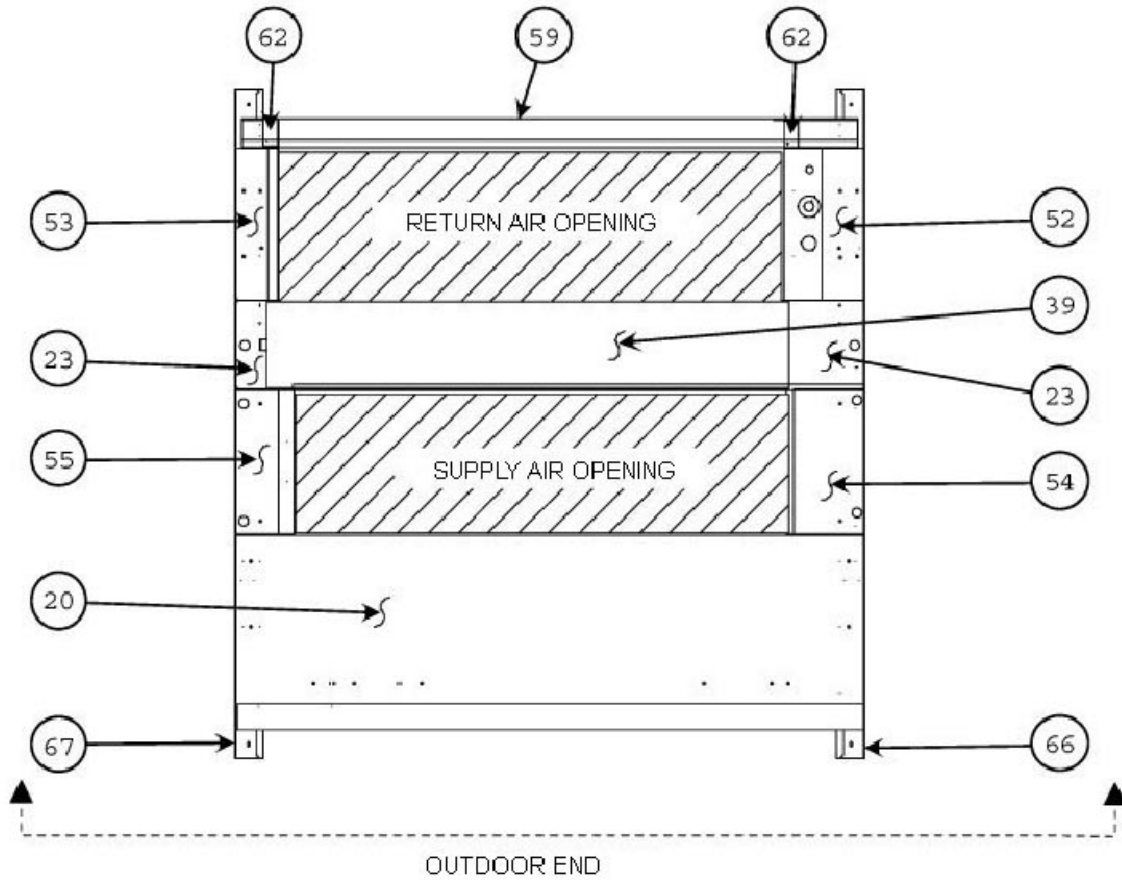
PHE156(H,L)000A

THIS IS ONLY A REPRESENTATIVE VIEW FOR THE PURPOSE OF IDENTIFYING MOST SHEET METAL PANELS. ACTUAL MODEL MAY LOOK DIFFERENT THAN SHOWN.



PHE05.JPG

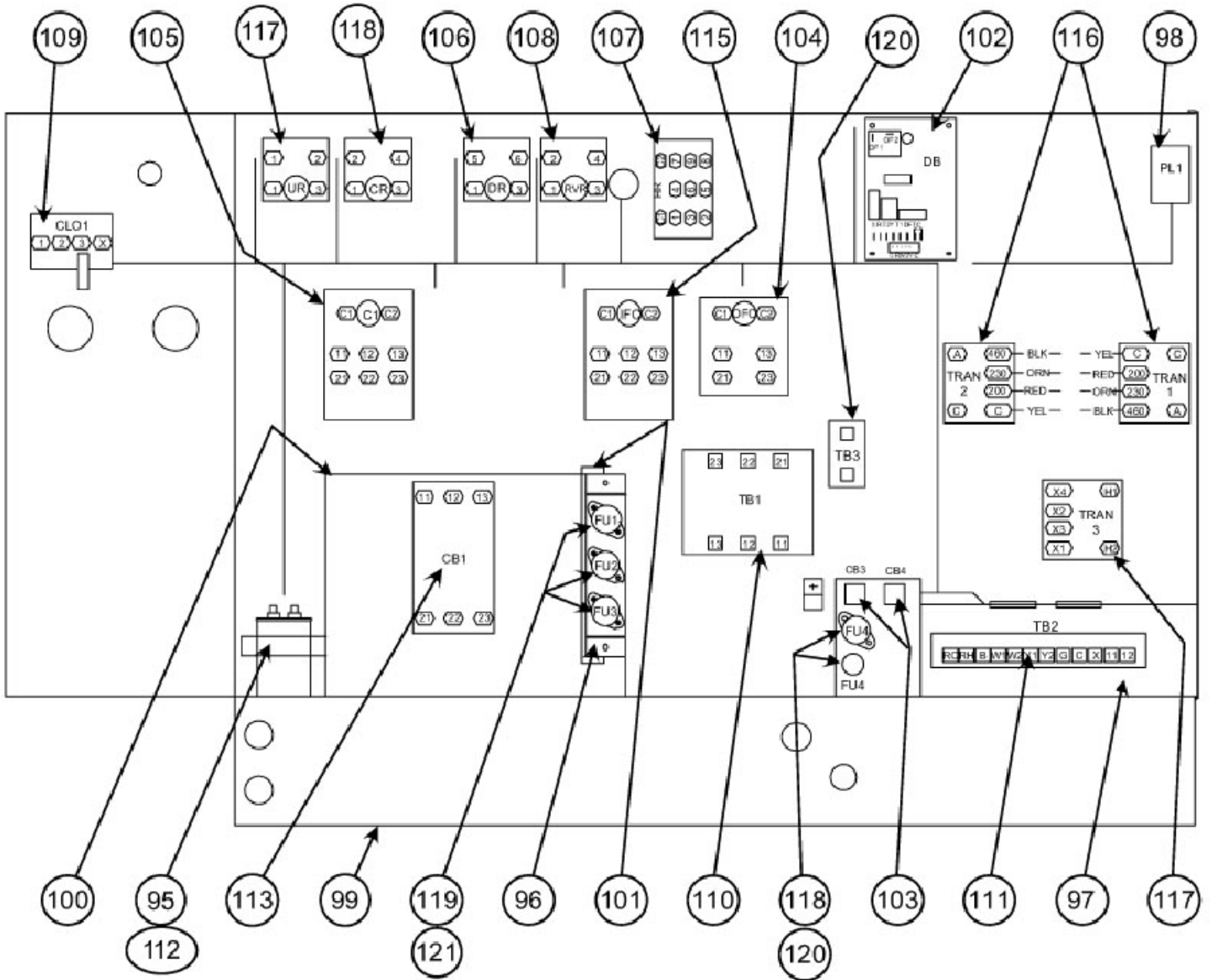
PHE156(H,L)000A



NOTE: This illustration is for reference only. Your unit may differ in appearance or may not include all components shown.

PHE06.JPG

PHE156(H,L)000A



NOTE: This illustration is for reference only. Your unit may differ in appearance or may not include all components shown.

PHE07JPG

PHE180H000A Parts List

Key No.	Part Number	Description	QTY
002	1171392	PLATE,25% AIR	1
005	1171457	SLIDER,25% AIR	1
007	1171178	COVER,HEATER (CONTROL BOX SIDE)	2
009	1171209	BAFFLE,FAN ACCESS	1
010	1171319	COVER,FILTER ACCESS	1
011	1171171	CORNER POST,CONTROL BOX SIDE	1
012	1171379	ACCESS PANEL,INDOOR SECTION	2
013	1171408	CORNER POST,IFM ACCESS SIDE	1
020	1171022	BASE PAN	1
021	1171366	PLATE,BLOCKOFF	2
022	1171411	POST,CONDENSER (CONTROL BOX SIDE)	1
023	1171021	BASE PAN	1
024	1171019	LATCH ASY	8
025	1171354	DECK,FAN	1
026	1171266	GUARD,FAN	3
027	1171283	BAFFLE,HEAT	1
034	1171213	DECK,INDOOR FAN (CENTER)	1
035	1171215	DECK,INDOOR FAN (IFM ACCESS SIDE)	1
036	1171310	DECK,INDOOR FAN(CONTROL BOX SIDE)	1
037	1172131	SUPPORT,EVAP COIL(IFM ACCES SIDE)	1
038	1171176	POST,CONDENSER (IFM ACCESS SIDE)	1
039	1171517	PAN,CONDENSATE	1
040	1171361	PANEL,END(NO PWR EXH/BARO RELIEF)	1
041	1171017	PANEL,INTERIOR(BELOW CONTROL BOX)	1
042	1171881	HEAT BAFFLE (CONTROL BOX SIDE)	1
044	1171217	PARTITION,UPPER FAN(ID/HEAT SECT)	1
045	1171360	TOP COVER,EVAPORATOR	1
047	1171183	COVER,HOOD TOP	1
048	1171241	BRACKET,FILTER	1
049	1171015	ANGLE,FILTER	1
050	1171084	BRACKET,FILTER	1
051	1171358	PAN,HOOD DRAIN	1
052	1171236	PAN,FILTER (CONTROL BOX SIDE)	1
053	1171237	PAN,FILTER (IFM ACCESS SIDE)	1
054	1171292	PAN,HEATER (CONTROL BOX SIDE)	1
055	1171291	PAN,HEATER (IFM ACCESS SIDE)	1
056	1171014	ANGLE,SUPPORT	1
057	1171060	BRACE,UPPER	1
058	1171468	SUPPORT,EVAP COIL(CNTRL BOX SIDE)	1
059	1171030	RAIL,BASE	1
060	1171490	RAIL, TOP	1
061	1171273	WIRE COVER,OUTDOOR FAN MOTOR	1
062	1171029	ANGLE,BASE RAIL	2
063	1171204	RETAINER,FAN PARTITION	1
066	1171028	RAIL,BASE (CONTROL BOX SIDE)	1
067	1171027	RAIL,BASE (IFM ACCESS SIDE)	1
068	1171380	HOOD SIDE,RIGHT OUTSIDE AIR	1
069	1171381	HOOD SIDE,LEFT OUTSIDE AIR	1
072	1171083	POST,CENTER (TWO PER SIDE)	4
073	1171111	CHANNEL,DUCT	1
074	1171489	TOP COVER,CONDENSER COIL	1

Key No.	Part Number	Description	QTY
075	1171465	SUPPORT,TOP (CONTROL BOX SIDE)	1
076	1171847	SUPPORT,TOP (IFM ACCESS SIDE)	1
077	1171377	ACCESS PANEL,OUTDOOR SECTION	2
078	1171378	ACCESS PANEL,CENTER (IFM SIDE)	2
080	1173459	COMPRESSOR (COMP1)(COMP2)	2
081	1173516	HEATER,CRANKCASE (CH1)(CH2)	2
082	1173560	VALVE ASY,SCHRAEDER	2
084	1171303	SWITCH,PRESSURE (HPS1)(HPS2)	2
089	1173438	CLIP,CRANKCASE HEATER	2
091	1173555	TEE (COMP-FUSIBLE PLUG)	2
092	1173533	PLUG,FUSIBLE (COMPRESSOR)	2
094	1172132	STRAP,CAPACITOR	1
096	1171256	BRACKET,FUSE	1
099	1171167	CONTROL BOX	1
100	1172140	BRACKET,CIRCUIT BREAKER	1
102	1173425	BOARD,DEFROST (DB)	1
103	1171114	CIRCUIT BREAKER (CB3)(CB4)	2
104	1171163	CONTACTOR (OFC)	1
105	1172449	CONTACTOR (C1)(C2)	2
106	1171436	RELAY (DR)	1
107	1171433	RELAY (HR1)(HR2)	2
108	1173539	RELAY (RVR)	1
109	1171437	RELAY,LOCKOUT (CLO1)(CLO2)	2
110	1171485	TERMINAL BLOCK (TB1)	1
111	1173591	TERMINAL BLOCK (TB2)	1
112	1171108	CAPACITOR,OD FAN MTR (CAP1,2,3)	3
113	1173435	CIRCUIT BREAKER (CB1)(CB2)	2
114	1170544	CIRCUIT BREAKER (IFCB)	1
115	1171163	CONTACTOR (OFC)	1
116	1171498	TRANSFORMER (TRAN 1)(TRAN2)	2
119	1171255	FUSE (FU1)(FU2)	2
121	1171259	FUSE HOLDER (FU1)(FU2)	2
126	1170542	MOTOR,STD (IFM)	1
127	1170699	PULLEY,STD MTR	1
128	1171039	BELT,STD MTR	1
129	1171419	PULLEY,STD FAN	1
130	1171342	MOTOR,OUTDOOR FAN (OFM1,2,3)	3
131	1171219	PROPELLER,FAN	3
133	1171346	PLATE ASY,MOTOR	1
134	1171224	SCROLL,FAN	2
135	1171046	PLATE,FANSIDE (OPP BEARING SIDE)	2
136	1171047	PLATE,FANSIDE (BEARING SIDE)	2
137	1171044	CUTOFF,BLOWER	2
139	1171013	STOP ANGLE,MOTOR MOUNTING PLATE	1
140	1171075	BRACKET,MOTOR (OPP SHAFT END)	1
141	1171076	BRACKET,MOTOR (SHAFT END)	1
142	1171210	BRACKET,FAN (1 3/4" HAT CHANNEL)	2
143	1171211	BRACKET,FAN (7" ZEE CHANNEL)	1
144	1171212	BRACKET,FAN (19" ZEE CHANNEL)	1
145	1171036	BRACKET ASSY,INDOOR FAN BEARING	2
146	1171226	UPRIGHT,INDOOR FAN MOTOR	1
147	1171225	SHAFT,INDOOR FAN	1

PHE180H000A Parts List (Cont.)

Key No.	Part Number	Description	QTY
149	1171055	BOLT,BELT ADJUSTMENT(5/16-18X15")	2
150	1171321	KEY	1
151	1171138	COMPRESSION CONNECTOR,FEMALE	1
152	1171157	COMPRESSION CONNECTOR,MALE	1
153	1171034	BEARING,INDOOR FAN	2
154	1171052	WHEEL,BLOWER	2
158	1173431	VALVE,CHECK	8
159	1171203	DRIER,FILTER	2
161	1173563	VALVE,CHECK	4
167	1173449	COIL,OUTDOOR	1
174	1173546	STRAINER	2
179	1173567	VALVE,REVERSING	2
183	1173566	VALVE,SUCTION	2
185	1173417	ACCUMULATOR	2
191	1171507	VALVE,SCHRAEDER	6
195	1173522	MUFFLER	2
197	1173565	VALVE,DISCHARGE	2
199	1172133	STRAP,FILTER DRIER	2
200	1173495	GASKET,DISCHARGE VALVE	2
201	1173496	GASKET,SUCTION VALVE	2
202	1173493	GASKET WASHER,DISCH & SUC VALVE	8
203	1171101	CAP,FLARE	6
203	1173177	CORE,VALVE	4
204	1171508	CORE,SCHRAEDER VALVE	6
205	1172619	COIL,SOLENOID (RVS1)(RVS2)	2
206	1171402	PLUG,FUSIBLE (TOP OF ACCUMULATOR)	2
207	1171252	T'STAT,FREEZE PROTECTION (FPT)	1
208	1173559	T'STAT,DEFROST (DFT1)(DFT2)	2
209	1173554	SWITCH,PRESSURE (LPS1)(LPS2)	2
210	1171118	ANGLE,FILTER	1
211	1171492	TRACK,FILTER	3
212	1171491	TRACK,FILTER	1
213	1171464	SUPPORT,LOWER	1
214	1171042	PANEL,BLOCKOFF	1
215	1171229	FILTER	4
216	1171010	FILTER	4
X	1171400	JACKING PLATE,INDOOR FAN MOTOR	1
X	1171501	TUBE,LUBRICATION (GREASE)	1
X	1171035	FILTER ANGLE,OUTSIDE AIR HOOD	1
X	1171103	BOLT,ID FAN MOTOR JACKING PLATE	1
X	1171184	HOOD ASY,OUTSIDE AIR	1
X	1171189	SUPPORT,DECK (BETWEEN OFM ORIFICES)	2
X	1171235	FILTER PACKAGE,OUTSIDE AIR HOOD	1
X	1171243	FILTER	1
X	1171244	FILTER	2
X	1171357	PAINT,TOUCHUP	1
X	1171404	PLUG ASY	1
X	1171430	CONNECTOR	1
X	1171458	SPACER,FILTER	1
X	1171836	CUP,SPRING	4
X	1173509	HARNESS ASY,COMPRESSOR #1	1
X	1173511	HARNESS ASY,COMPRESSOR #2	1

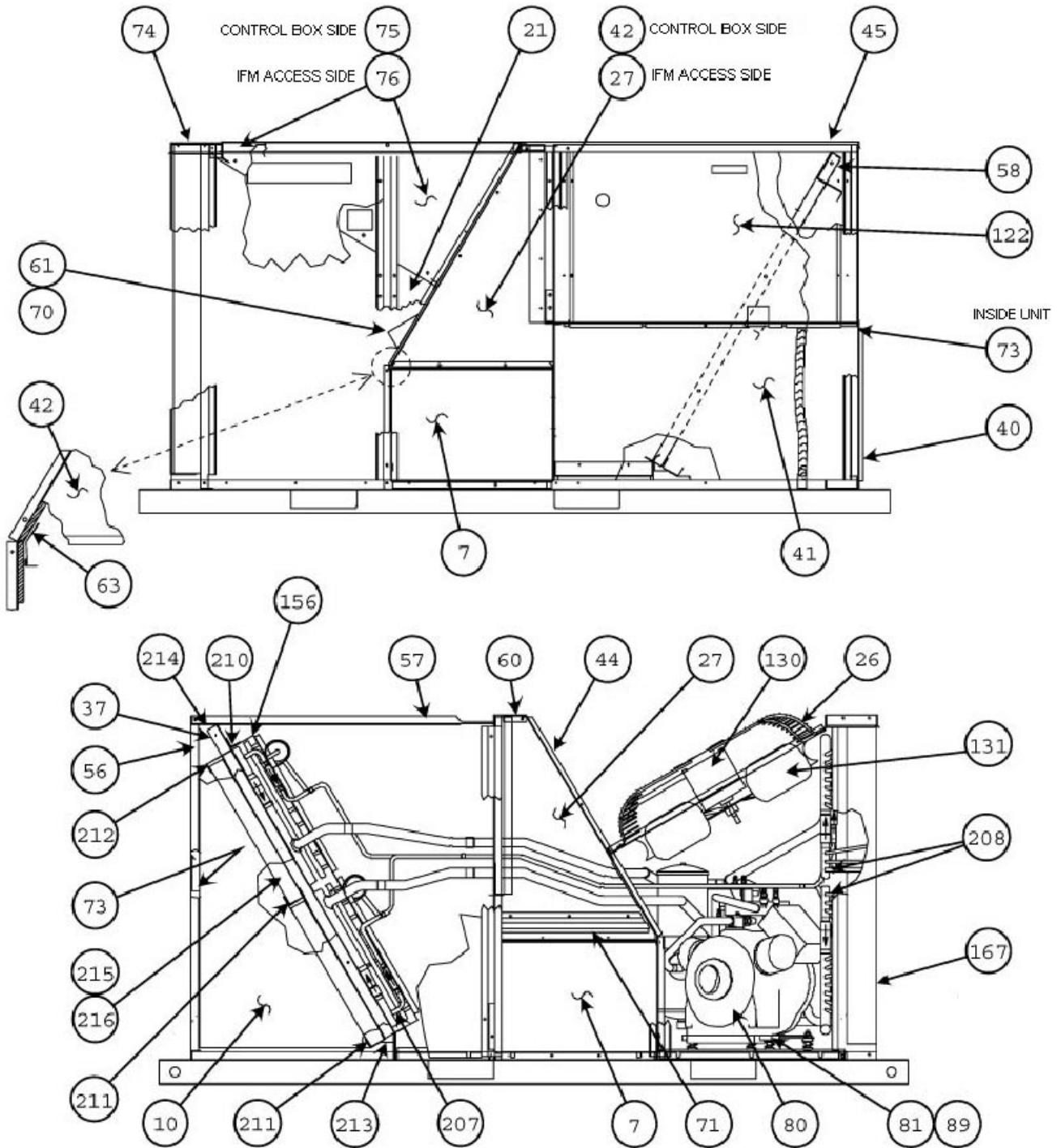
PHE180L000A Parts List

Key No.	Part Number	Description	QTY
002	1171392	PLATE,25% AIR	1
005	1171457	SLIDER,25% AIR	1
007	1171178	COVER,HEATER (CONTROL BOX SIDE)	2
009	1171209	BAFFLE,FAN ACCESS	1
010	1171319	COVER,FILTER ACCESS	1
011	1171171	CORNER POST,CONTROL BOX SIDE	1
012	1171379	ACCESS PANEL,INDOOR SECTION	2
013	1171408	CORNER POST,IFM ACCESS SIDE	1
020	1171022	BASE PAN	1
021	1171366	PLATE,BLOCKOFF	2
022	1171411	POST,CONDENSER (CONTROL BOX SIDE)	1
023	1171021	BASE PAN	1
024	1171019	LATCH ASY	8
025	1171354	DECK,FAN	1
026	1171266	GUARD,FAN	3
027	1171283	BAFFLE,HEAT	1
034	1171213	DECK,INDOOR FAN (CENTER)	1
035	1171215	DECK,INDOOR FAN (IFM ACCESS SIDE)	1
036	1171310	DECK,INDOOR FAN(CONTROL BOX SIDE)	1
037	1172131	SUPPORT,EVAP COIL(IFM ACCESS SIDE)	1
038	1171176	POST,CONDENSER (IFM ACCESS SIDE)	1
039	1171517	PAN,CONDENSATE	1
040	1171361	PANEL,END(NO PWR EXH/BARO RELIEF)	1
041	1171017	PANEL,INTERIOR(BELOW CONTROL BOX)	1
042	1171881	HEAT BAFFLE (CONTROL BOX SIDE)	1
044	1171217	PARTITION,UPPER FAN(ID/HEAT SECT)	1
045	1171360	TOP COVER,EVAPORATOR	1
047	1171183	COVER,HOOD TOP	1
048	1171241	BRACKET,FILTER	1
049	1171015	ANGLE,FILTER	1
050	1171084	BRACKET,FILTER	1
051	1171358	PAN,HOOD DRAIN	1
052	1171236	PAN,FILTER (CONTROL BOX SIDE)	1
053	1171237	PAN,FILTER (IFM ACCESS SIDE)	1
054	1171292	PAN,HEATER (CONTROL BOX SIDE)	1
055	1171291	PAN,HEATER (IFM ACCESS SIDE)	1
056	1171014	ANGLE,SUPPORT	1
057	1171060	BRACE,UPPER	1
058	1171468	SUPPORT,EVAP COIL(CNTRL BOX SIDE)	1
059	1171030	RAIL,BASE	1
060	1171490	RAIL,TOP	1
061	1171273	WIRE COVER,OUTDOOR FAN MOTOR	1
062	1171029	ANGLE,BASE RAIL	2
063	1171204	RETAINER,FAN PARTITION	1
066	1171028	RAIL,BASE (CONTROL BOX SIDE)	1
067	1171027	RAIL,BASE (IFM ACCESS SIDE)	1
068	1171380	HOOD SIDE,RIGHT OUTSIDE AIR	1
069	1171381	HOOD SIDE,LEFT OUTSIDE AIR	1
072	1171083	POST,CENTER (TWO PER SIDE)	4
073	1171111	CHANNEL,DUCT	1
074	1171489	TOP COVER,CONDENSER COIL	1
075	1171465	SUPPORT,TOP (CONTROL BOX SIDE)	1
076	1171847	SUPPORT,TOP (IFM ACCESS SIDE)	1

PHE180L00A Parts List (Cont.)

Key No.	Part Number	Description	QTY	Key No.	Part Number	Description	QTY
077	1171377	ACCESS PANEL, OUTDOOR SECTION	2	150	1171321	KEY	1
078	1171378	ACCESS PANEL, CENTER (IFM SIDE)	2	151	1171138	COMPRESSION CONNECTOR, FEMALE	1
080	1173458	COMPRESSOR (COMP1)(COMP2)	2	152	1171157	COMPRESSION CONNECTOR, MALE	1
081	1173517	HEATER, CRANKCASE (CH1)(CH2)	2	153	1171034	BEARING, INDOOR FAN	2
082	1173560	VALVE ASY, SCHRAEDER	2	154	1171052	WHEEL, BLOWER	2
084	1171303	SWITCH, PRESSURE (HPS1)(HPS2)	2	158	1173431	VALVE, CHECK	8
089	1173438	CLIP, CRANKCASE HEATER	2	159	1171203	DRIER, FILTER	2
090	1173524	NIPPLE (COMP-TEE/FUSIBLE PLUG)	2	161	1173563	VALVE, CHECK	4
091	1173555	TEE (COMP-FUSIBLE PLUG)	2	167	1173449	COIL, OUTDOOR	1
092	1173533	PLUG, FUSIBLE (COMPRESSOR)	2	174	1173546	STRAINER	2
094	1172132	STRAP, CAPACITOR	1	179	1173567	VALVE, REVERSING	2
096	1171256	BRACKET, FUSE	1	183	1173566	VALVE, SUCTION	2
099	1171167	CONTROL BOX	1	185	1173417	ACCUMULATOR	2
100	1172140	BRACKET, CIRCUIT BREAKER	1	191	1171507	VALVE, SCHRAEDER	6
102	1173425	BOARD, DEFROST (DB)	1	195	1173522	MUFFLER	2
103	1171114	CIRCUIT BREAKER (CB3)(CB4)	2	197	1173565	VALVE, DISCHARGE	2
104	1171163	CONTACTOR (OFC)	1	199	1172133	STRAP, FILTER DRIER	2
105	1172449	CONTACTOR (C1)(C2)	2	200	1173495	GASKET, DISCHARGE VALVE	2
106	1171436	RELAY (DR)	1	201	1173496	GASKET, SUCTION VALVE	2
107	1171433	RELAY (HR1)(HR2)	2	202	1173493	GASKET WASHER, DISCH & SUC VALVE	8
108	1173539	RELAY (RVR)	1	203	1171101	CAP, FLARE	6
109	1171437	RELAY, LOCKOUT (CLO1)(CLO2)	2	203	1173177	CORE, VALVE	4
110	1171485	TERMINAL BLOCK (TB1)	1	204	1171508	CORE, SCHRAEDER VALVE	6
111	1173591	TERMINAL BLOCK (TB2)	1	205	1172619	COIL, SOLENOID (RVS1)(RVS2)	2
112	1171108	CAPACITOR, OD FAN MTR (CAP1,2,3)	3	206	1171402	PLUG, FUSIBLE (TOP OF ACCUMULATOR)	2
113	1173436	CIRCUIT BREAKER (CB1)(CB2)	2	207	1171252	T'STAT, FREEZE PROTECTION (FPT)	1
114	1170545	CIRCUIT BREAKER (IFCB)	1	208	1173559	T'STAT, DEFROST (DFT1)(DFT2)	2
115	1173476	CONTACTOR (IFC)	1	209	1173554	SWITCH, PRESSURE (LPS1)(LPS2)	2
116	1171498	TRANSFORMER (TRAN 1)(TRAN2)	2	210	1171118	ANGLE, FILTER	1
119	1173489	FUSE (FU1)(FU2)	2	211	1171492	TRACK, FILTER	3
121	1171258	FUSE HOLDER (FU1)(FU2)	2	212	1171491	TRACK, FILTER	1
126	1170542	MOTOR, STD (IFM)	1	213	1171464	SUPPORT, LOWER	1
127	1170699	PULLEY, STD MTR	1	214	1171042	PANEL, BLOCKOFF	1
128	1171039	BELT, STD MTR	1	215	1171229	FILTER	4
129	1171419	PULLEY, STD FAN	1	216	1171010	FILTER	4
130	1171336	MOTOR, OUTDOOR FAN (OFM1,2,3)	3	(1171400	JACKING PLATE, INDOOR FAN MOTOR	1
131	1171219	PROPELLER, FAN	3	(1171501	TUBE, LUBRICATION (GREASE)	1
133	1171346	PLATE ASY, MOTOR	1	(1171085	FILTER ANGLE, OUTSIDE AIR HOOD	1
134	1171224	SCROLL, FAN	2	(1171103	BOLT, ID FAN MOTOR JACKING PLATE	1
135	1171046	PLATE, FANSIDE (OPP BEARING SIDE)	2	(1171184	HOOD ASY, OUTSIDE AIR	1
136	1171047	PLATE, FANSIDE (BEARING SIDE)	2	(1171189	SUPPORT, DECK (BETWEEN OFM ORIFICES)	2
137	1171044	CUTOFF, BLOWER	2	(1171235	FILTER PACKAGE, OUTSIDE AIR HOOD	1
139	1171013	STOP ANGLE, MOTOR MOUNTING PLATE	1	(1171243	FILTER	1
140	1171075	BRACKET, MOTOR (OPP SHAFT END)	1	(1171244	FILTER	2
141	1171076	BRACKET, MOTOR (SHAFT END)	1	(1171357	PAINT, TOUCHUP	1
142	1171210	BRACKET, FAN (1 3/4" HAT CHANNEL)	2	(1171404	PLUG ASY	1
143	1171211	BRACKET, FAN (7" ZEE CHANNEL)	1	(1171430	CONNECTOR	1
144	1171212	BRACKET, FAN (19" ZEE CHANNEL)	1	(1171458	SPACER, FILTER	1
145	1171036	BRACKET ASSY, INDOOR FAN BEARING	2	(1171836	CUP, SPRING	4
146	1171226	UPRIGHT, INDOOR FAN MOTOR	1	(1173509	HARNESS ASY, COMPRESSOR #1	1
147	1171225	SHAFT, INDOOR FAN	1	(1173511	HARNESS ASY, COMPRESSOR #2	1
149	1171055	BOLT, BELT ADJUSTMENT(5/16-18X15")	2				

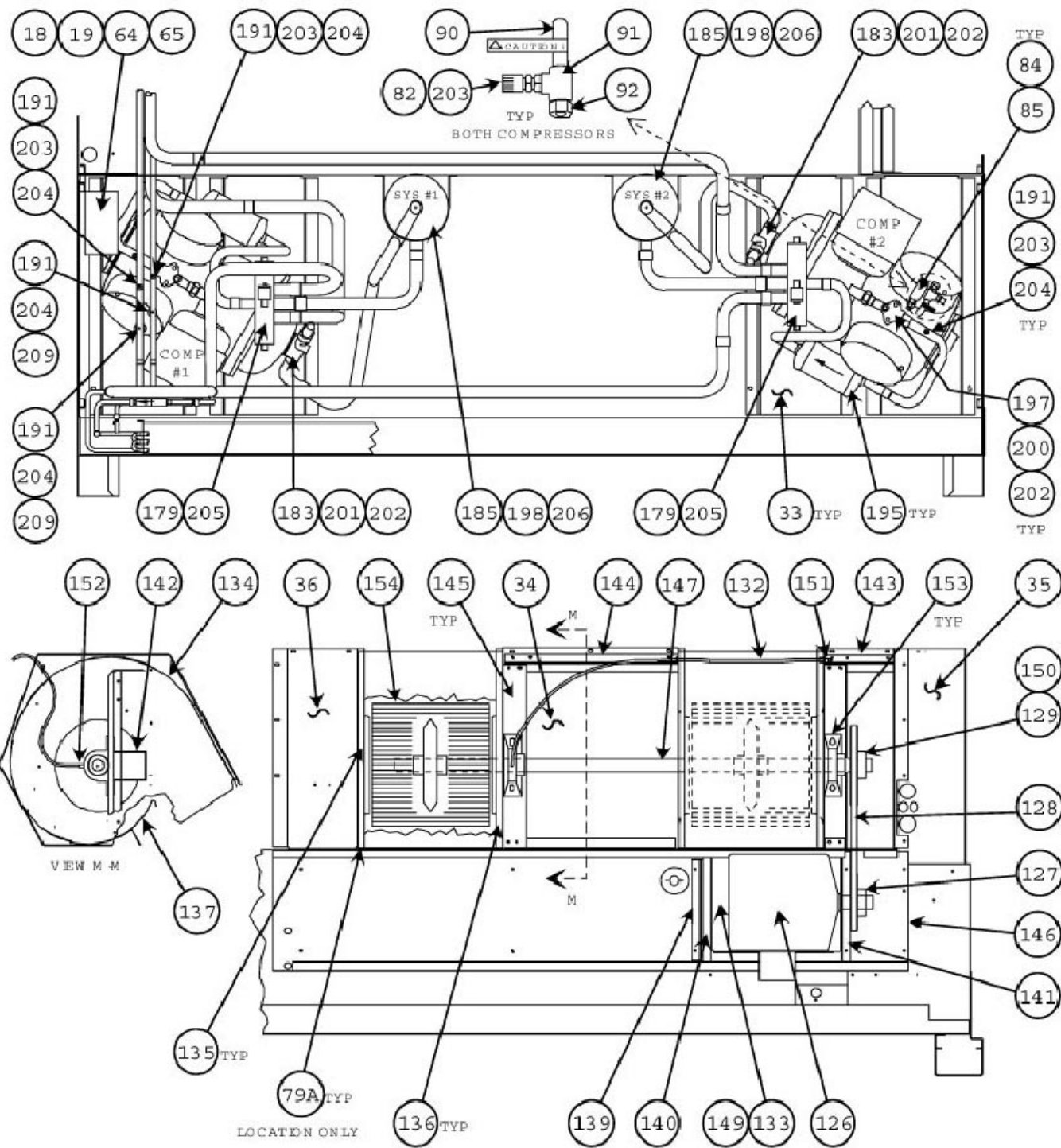
PHE180(H,L)000A



NOTE: This illustration is for reference only. Your unit may differ in appearance or may not include all components shown.

PHE01A.JPG

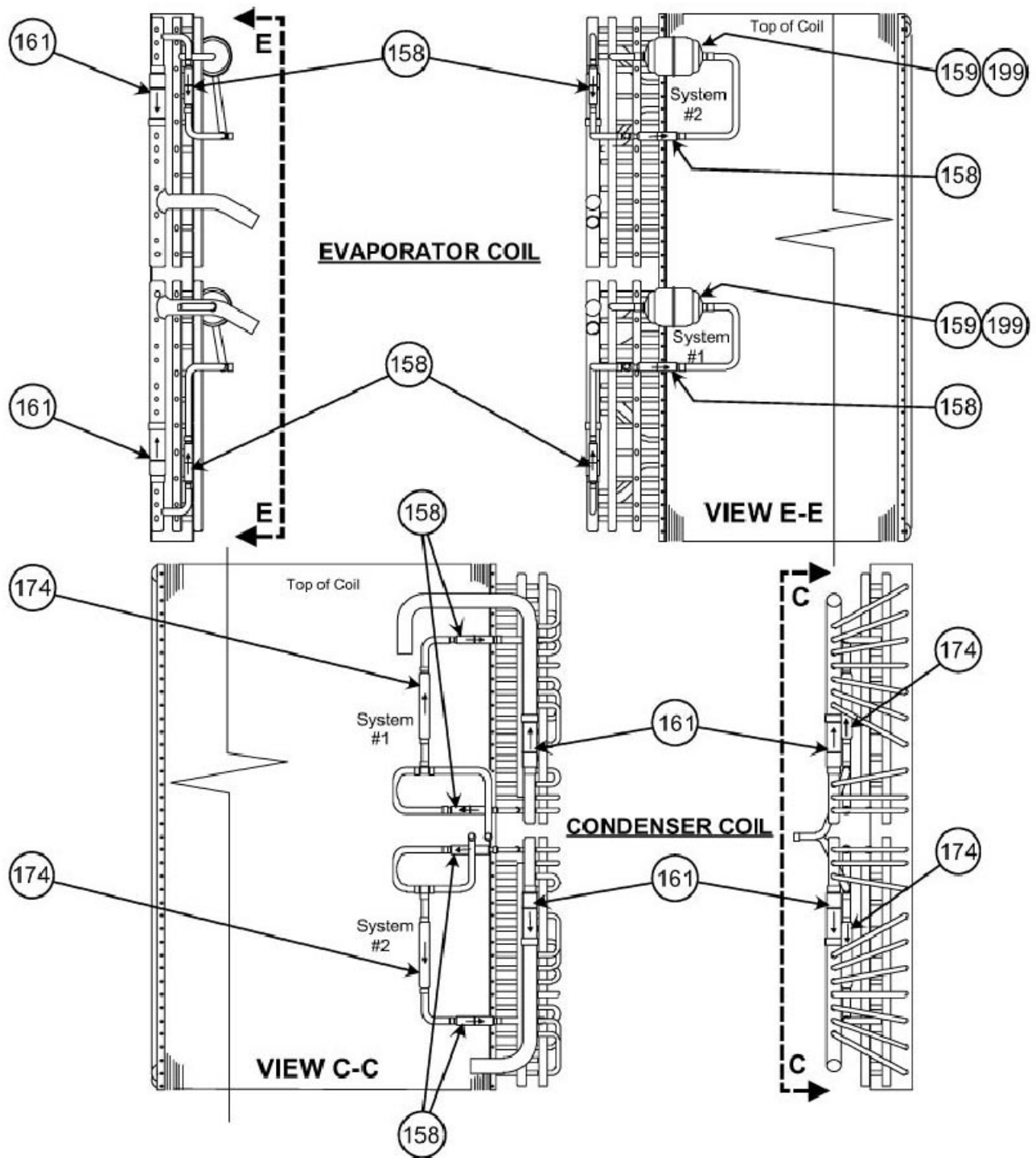
PHE180(H,L)000A



NOTE: This illustration is for reference only. Your unit may differ in appearance or may not include all components shown.

PHE02A.JPG

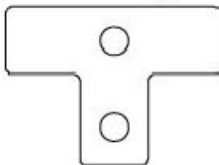
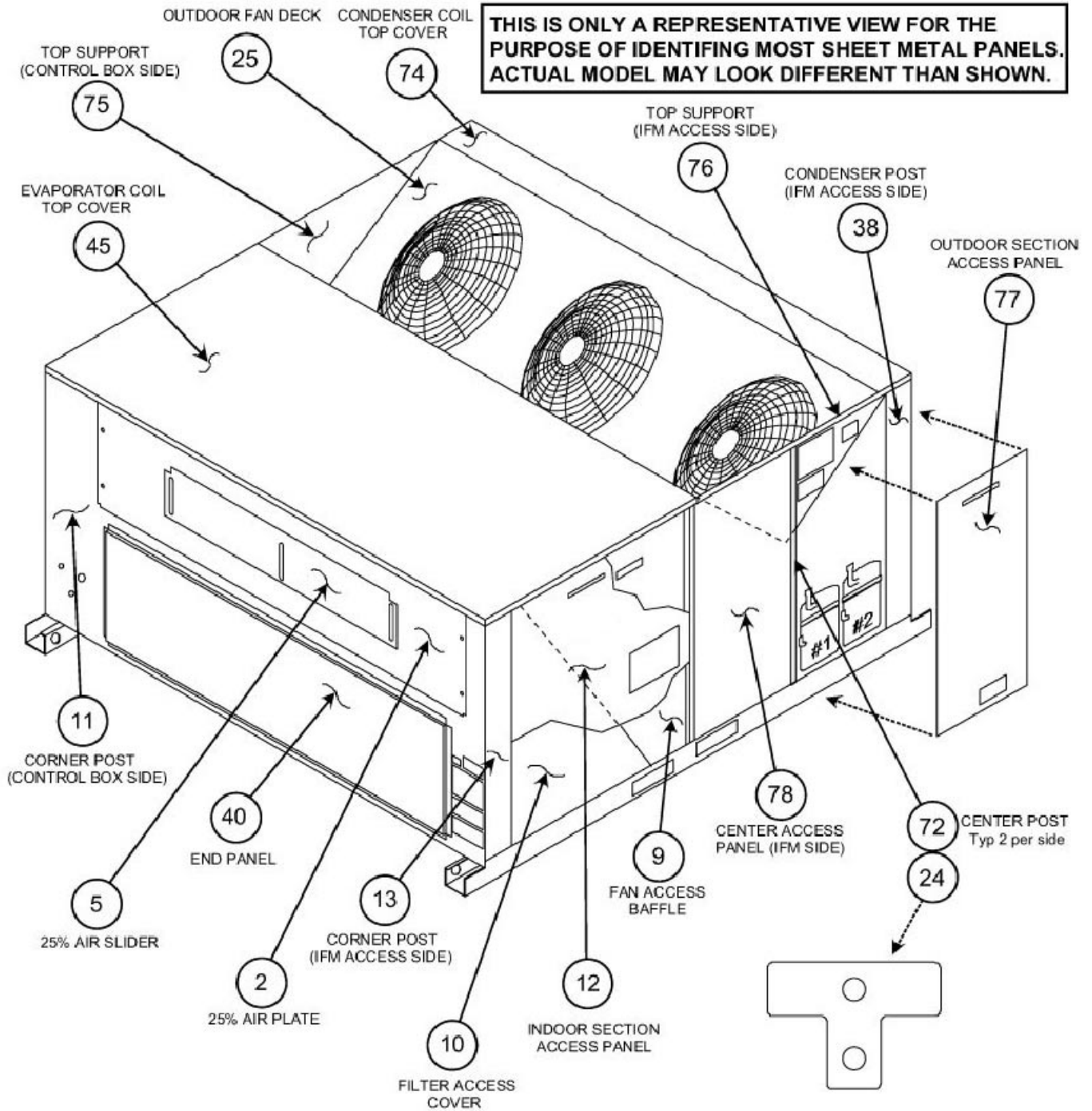
PHE180(H,L)000A



NOTE: This illustration is for reference only. Your unit may differ in appearance or may not include all components shown.

PHE03A.JPG

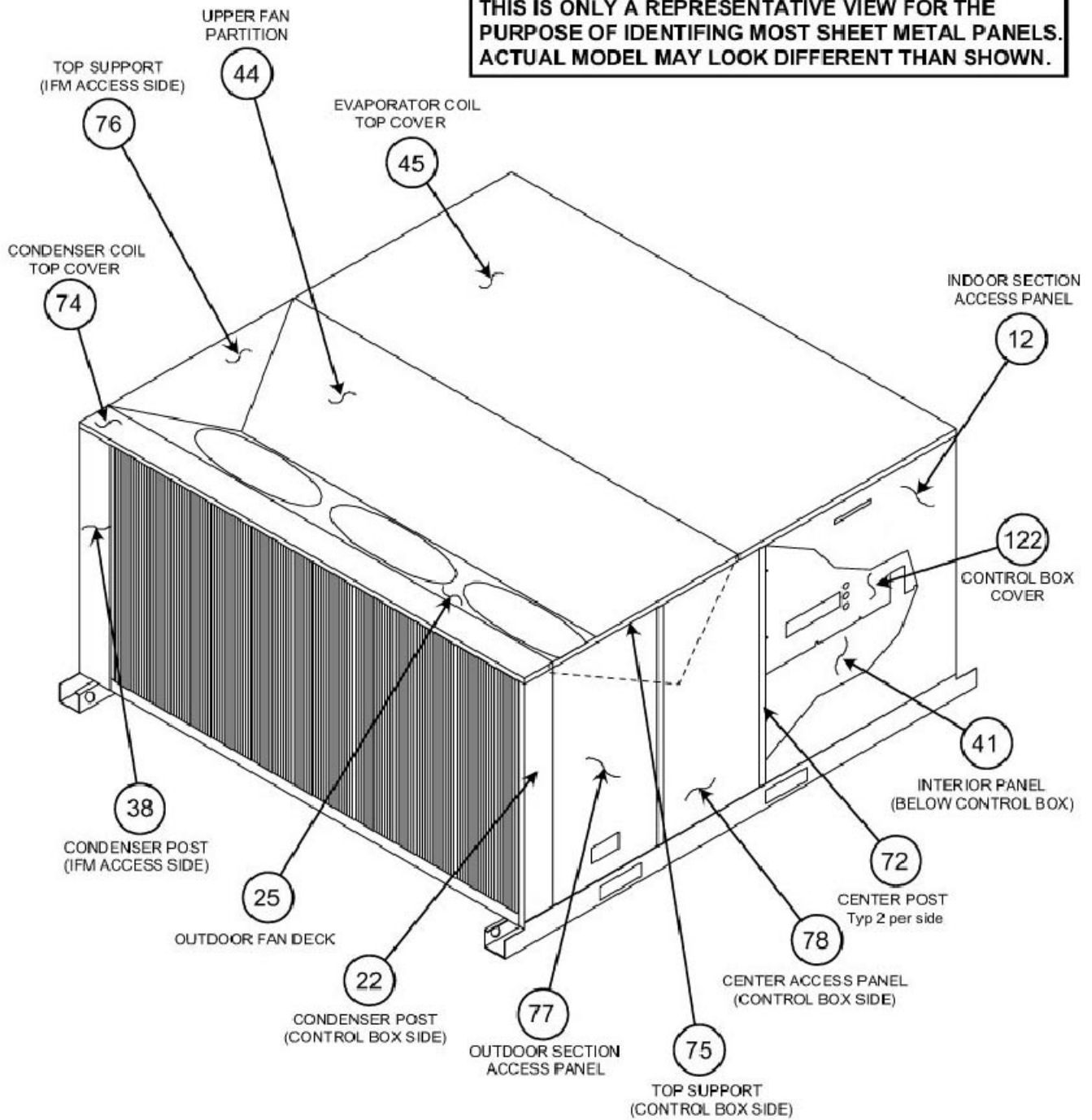
PHE180(H,L)000A



PHE04.JPG

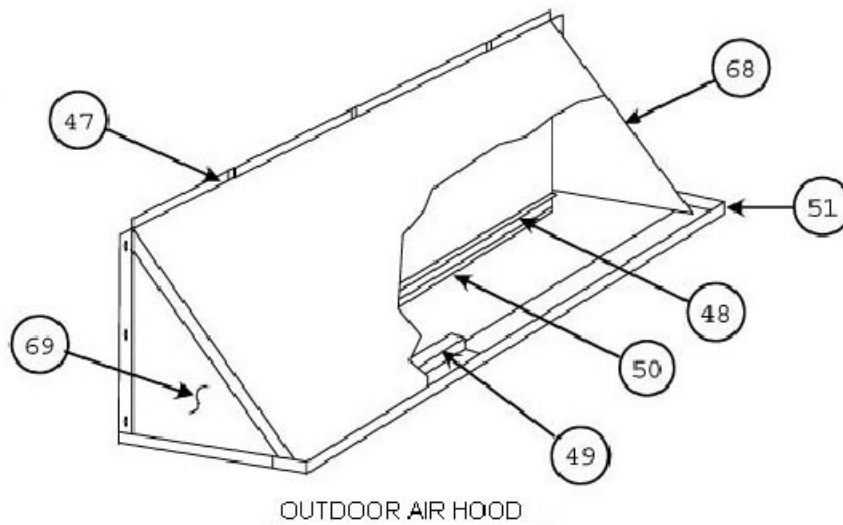
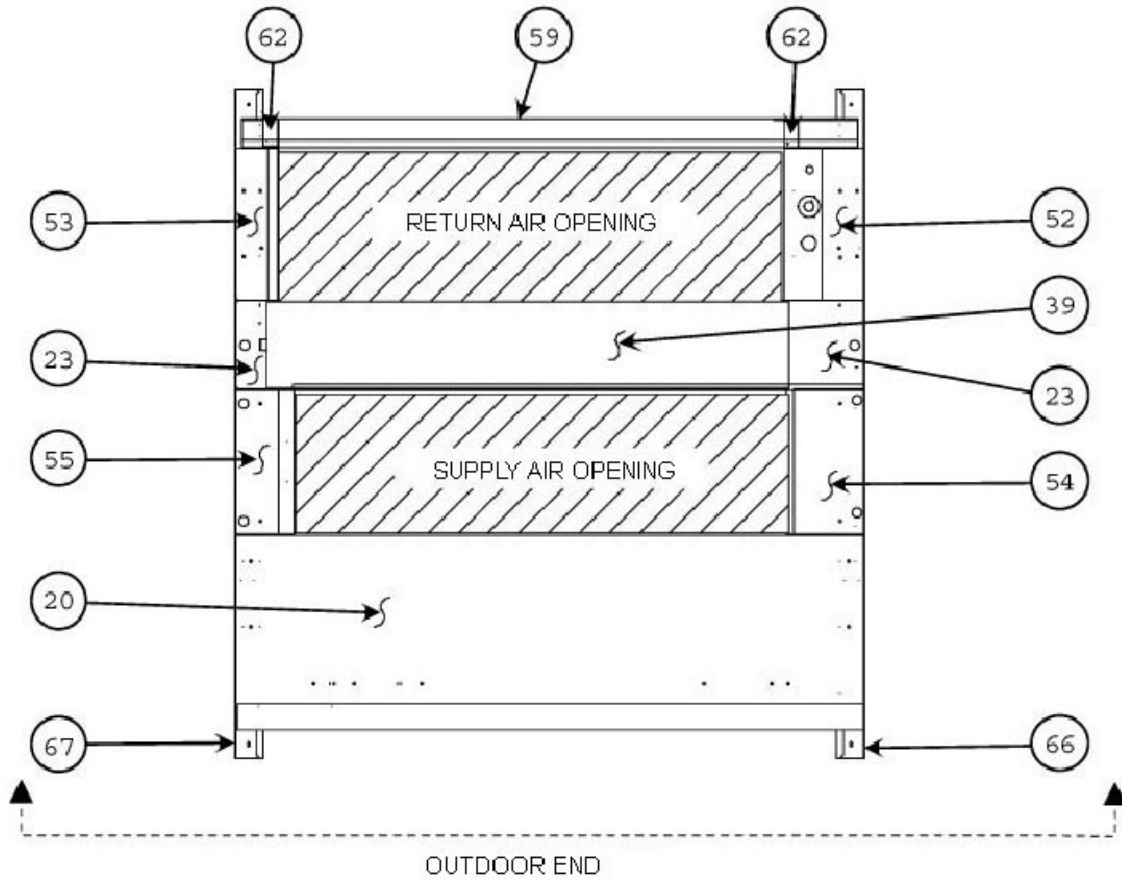
PHE180(H,L)000A

THIS IS ONLY A REPRESENTATIVE VIEW FOR THE PURPOSE OF IDENTIFYING MOST SHEET METAL PANELS. ACTUAL MODEL MAY LOOK DIFFERENT THAN SHOWN.



PHE05.JPG

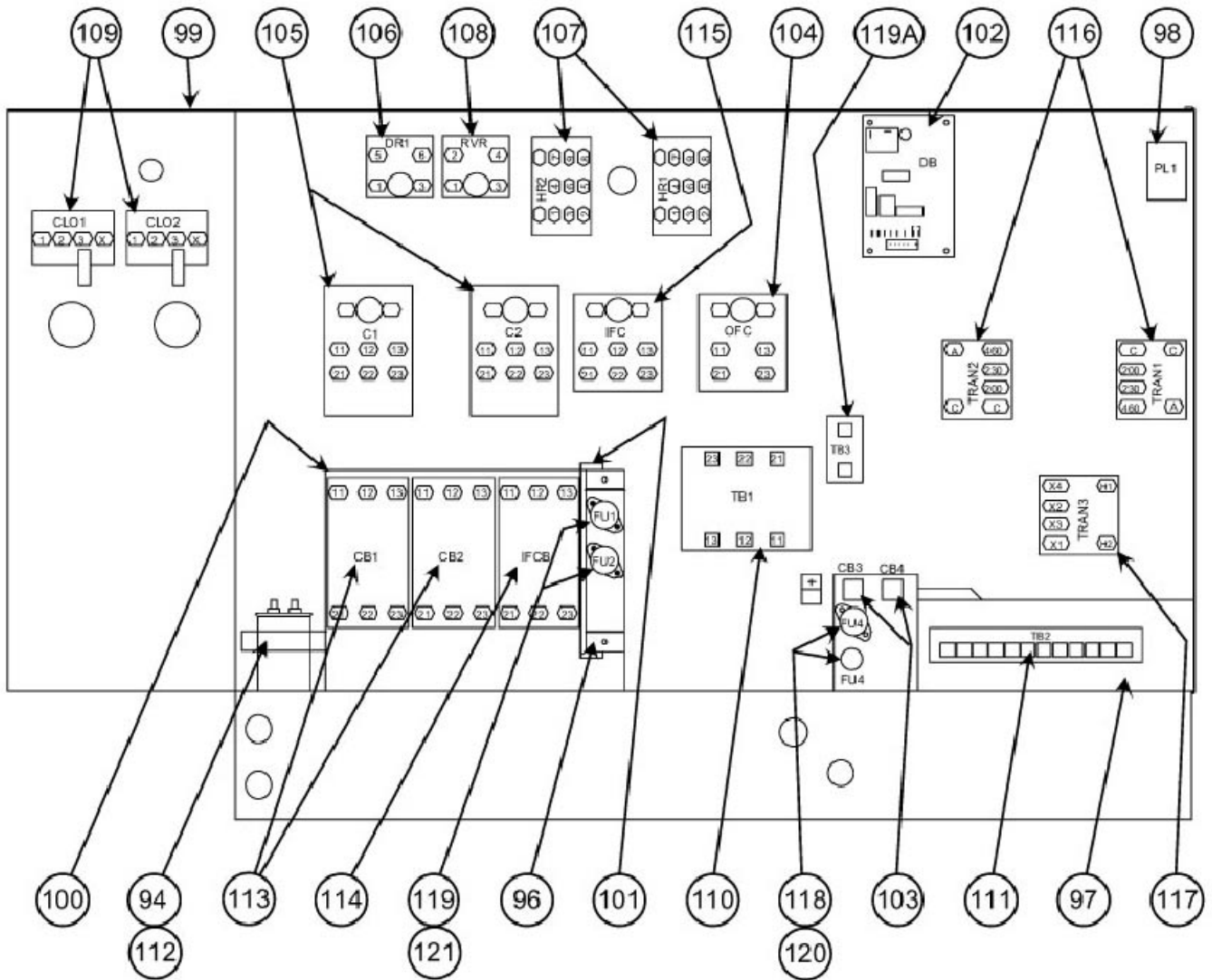
PHE180(H,L)000A



NOTE: This illustration is for reference only. Your unit may differ in appearance or may not include all components shown.

PHE06.JPG

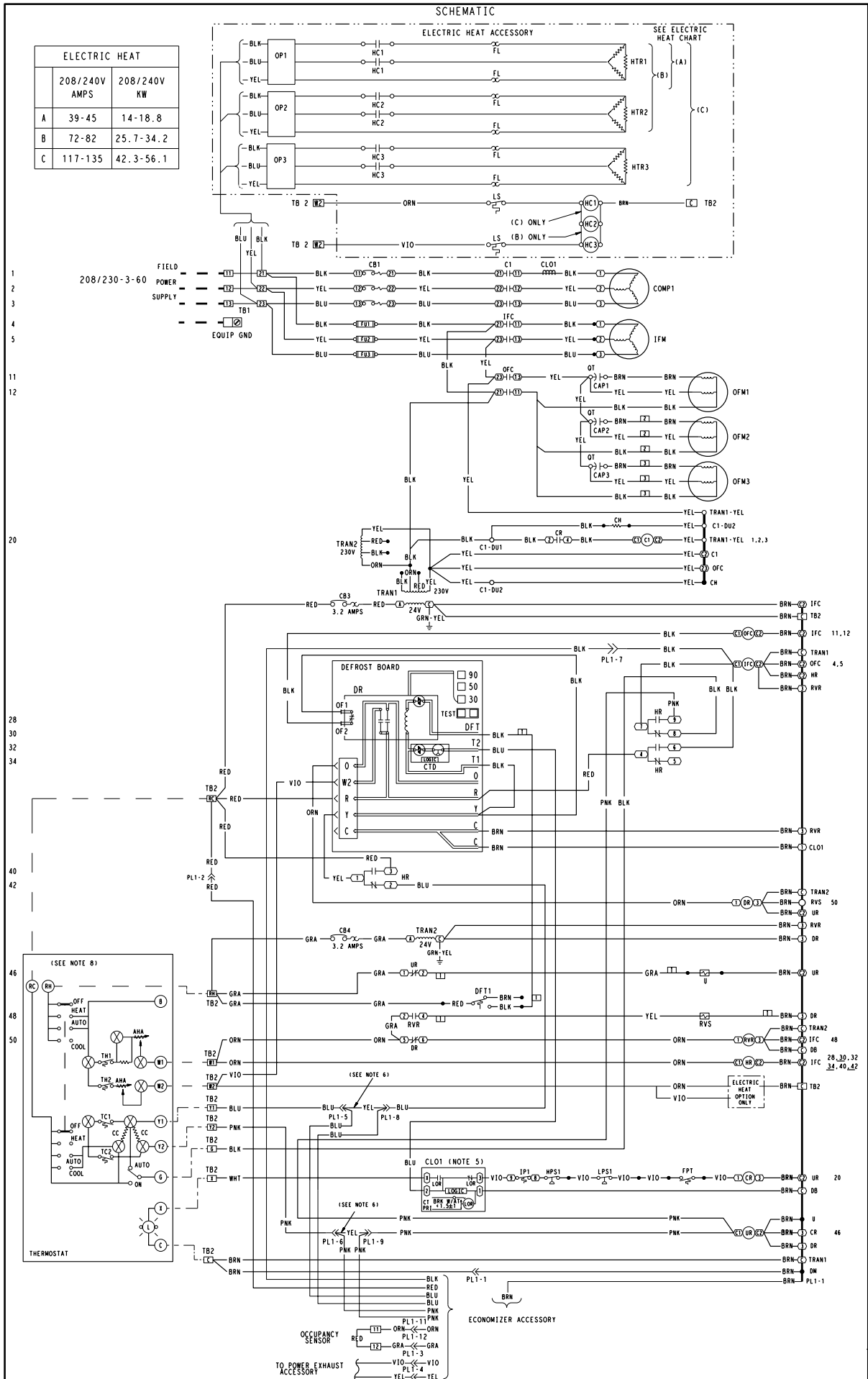
PHE180(H,L)000A



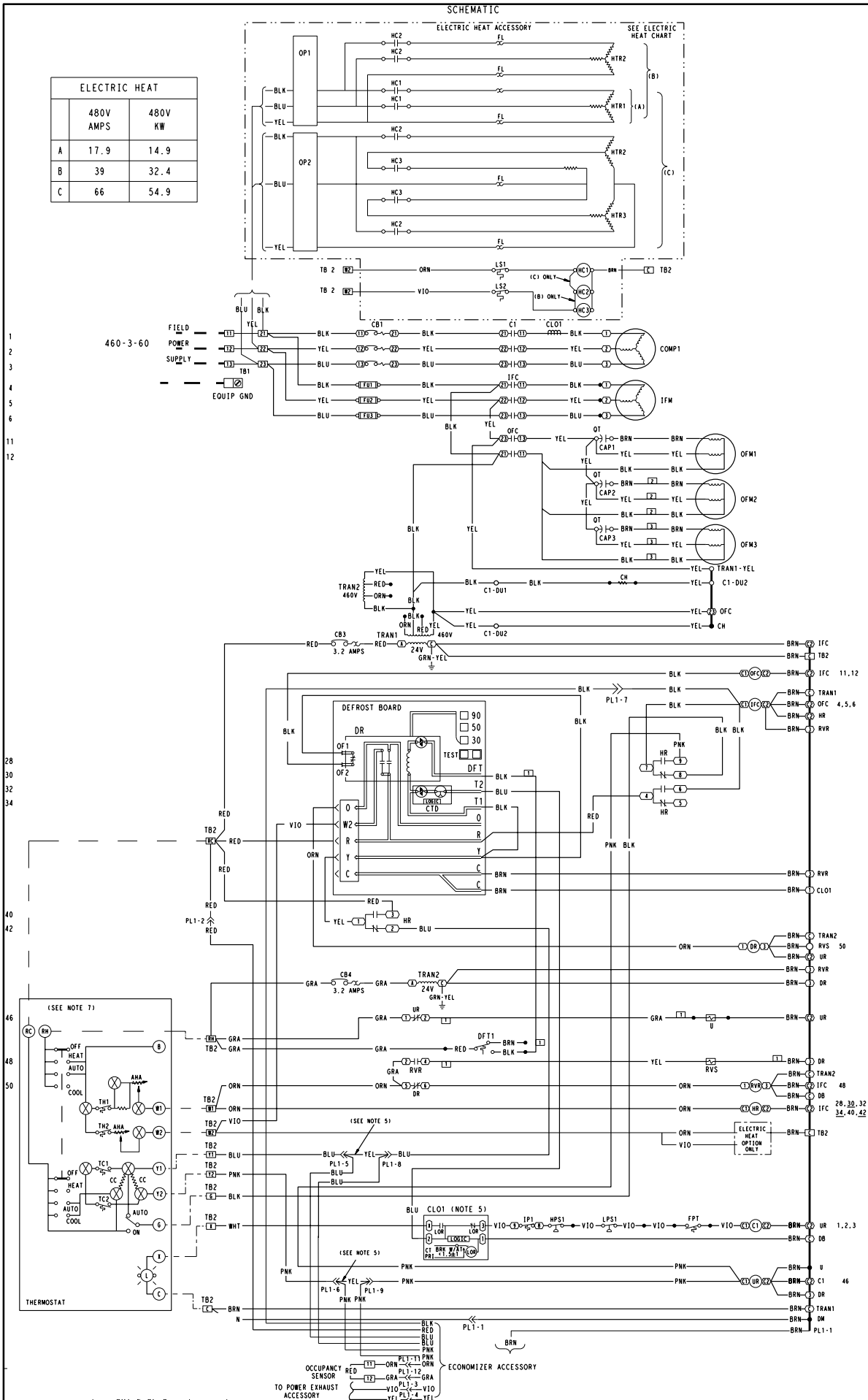
NOTE: This illustration is for reference only. Your unit may differ in appearance or may not include all components shown.

PHE07A.JPG

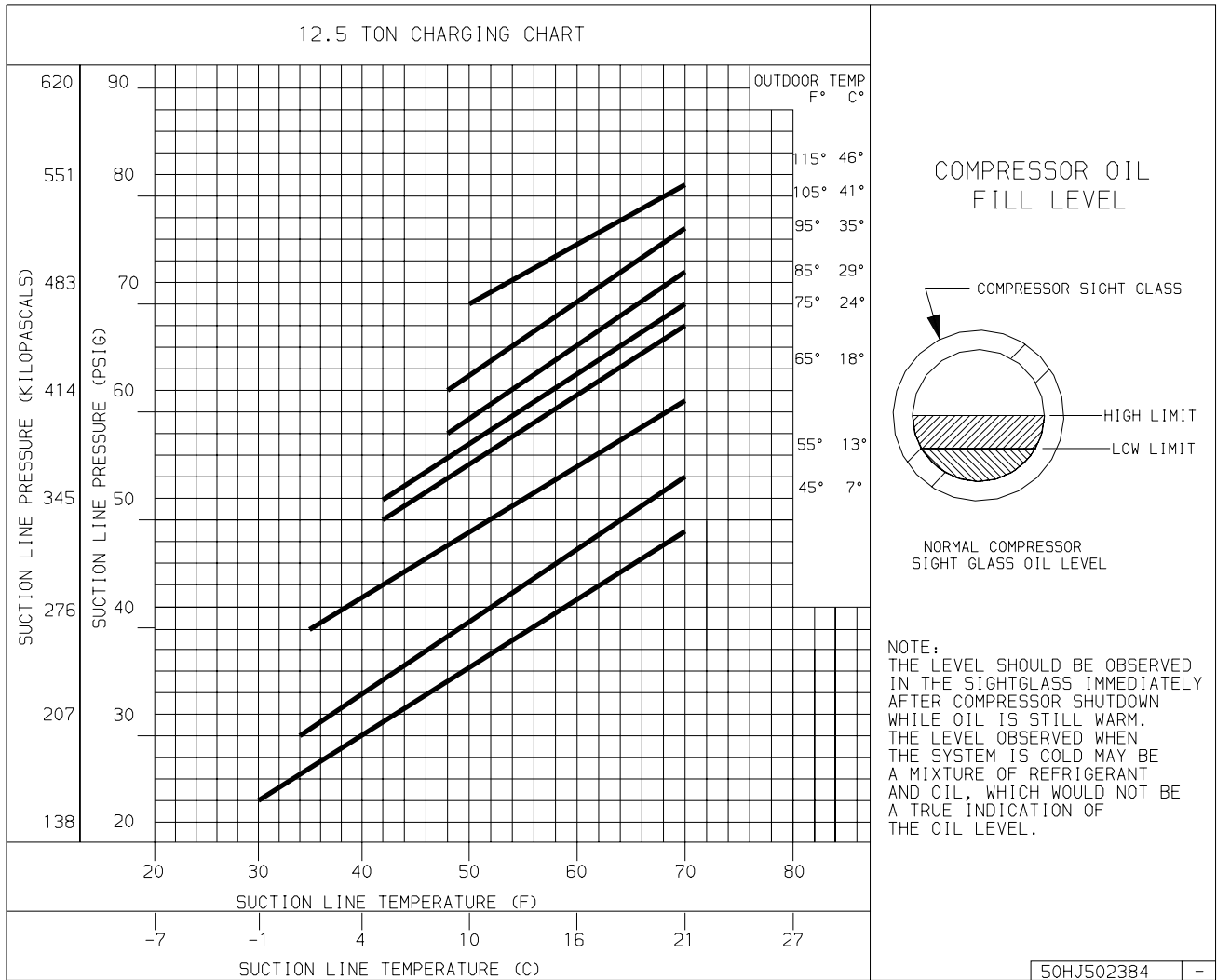
PHE156H000A Wiring Diagram



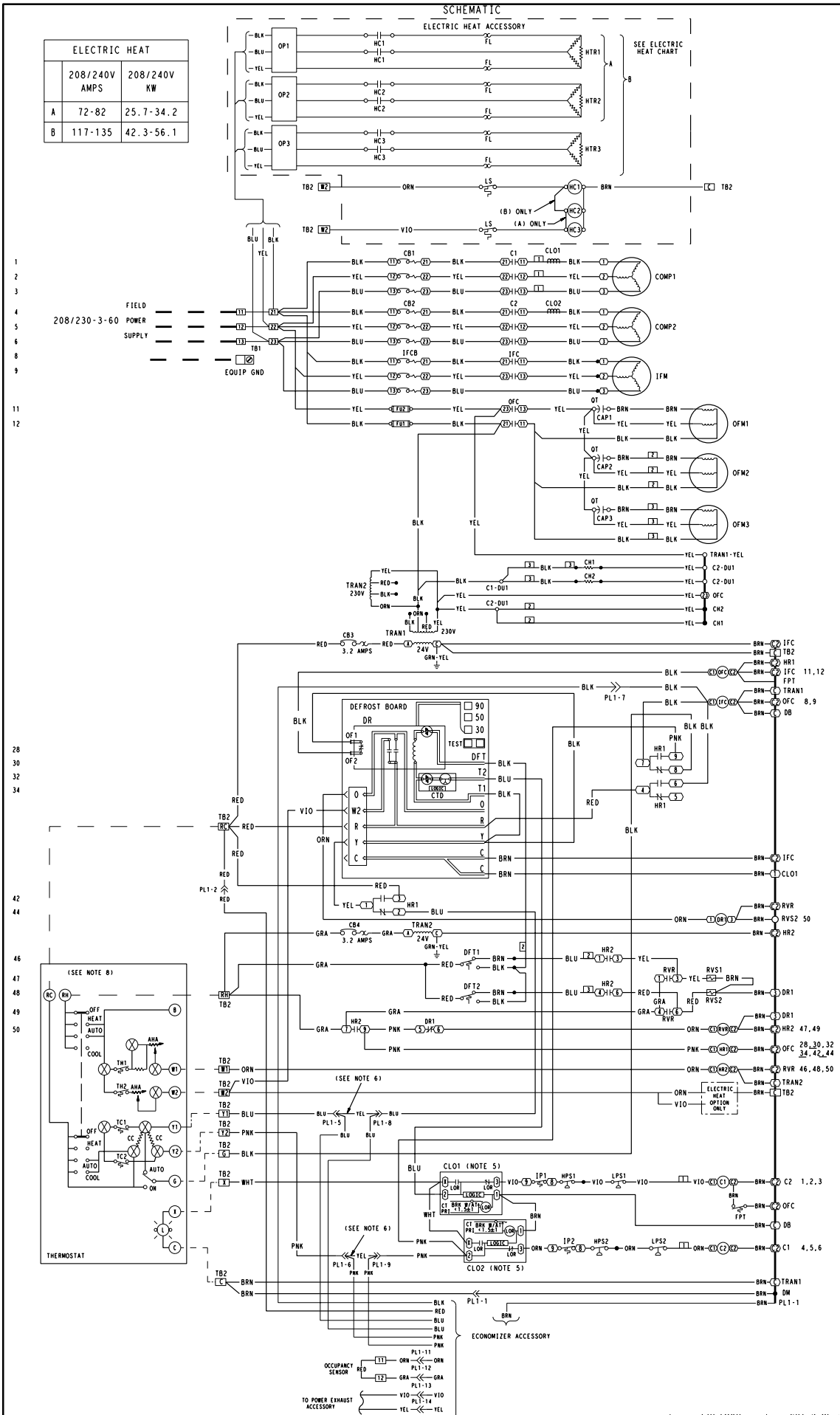
PHE156L000A Wiring Diagram



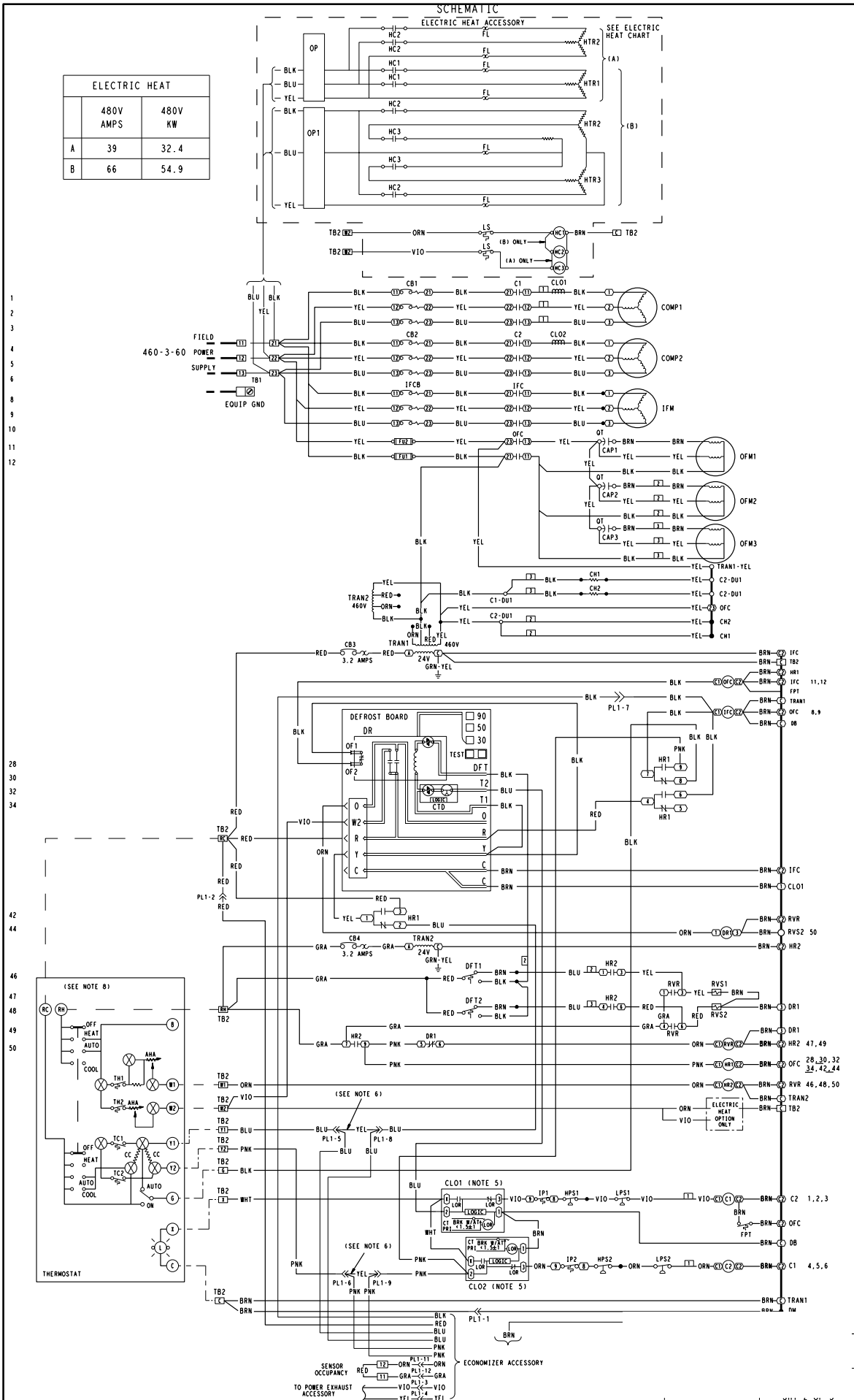
PHE156 CHARGING CHART - All Voltages



PHE180H00A Wiring Diagram



PHE180L000A Wiring Diagram



PHE180 CHARGING CHART - All Voltages

