

# Parts List, Tech Labels, Wiring Diagrams PHB & PYMD Series Models, 3 to 5 Ton - 3 Phase

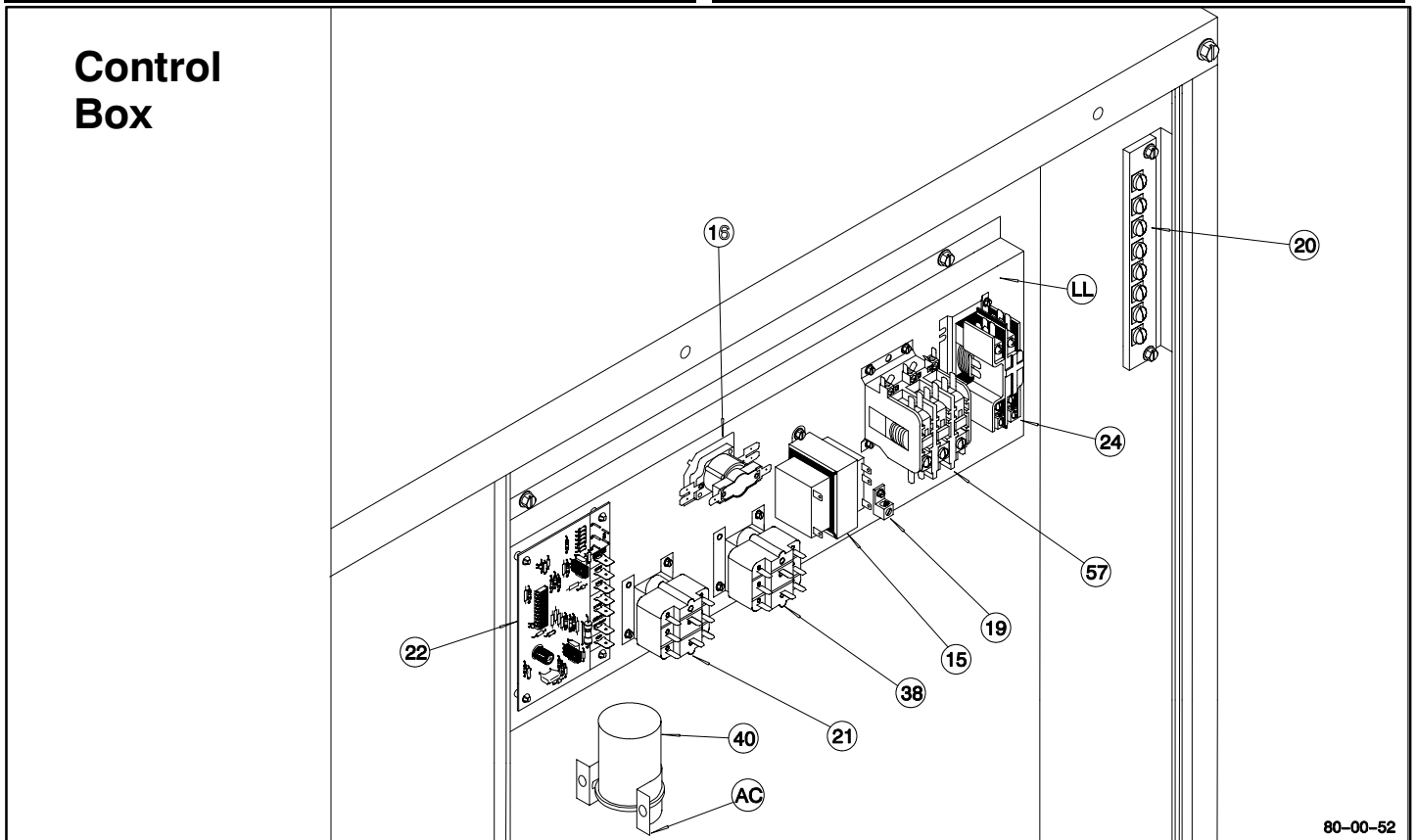
**MODELS: PHB036N1HB, PHB048N1HB, PHB048N1LB, PHB060N1HB, PHB060N1LB  
PYMD036HB, PYMD048HB, PYMD048FB, PYMD060HB, PYMD060FB**

NO.	DESCRIPTION	PART NUMBER	036 H	048 H	048 L/F	060 H	060 L/F
1	Compressor, ZR34K3TF5	1066514	1				
1	ZR46K3TF5	1084538	*	1			
1	ZR46K3TFD	1066506	*	*	1		
1	ZR57K3TF5	1084539	*	*	*	1	
1	ZR57K3TFD	1066518	*	*	*	*	1
2	Motor, Condenser Fan	1066470	1	1			
2		1068275	*	*	1		
2		1065751	*	*	*	1	
2		1054575	*	*	*	*	1
3	Fan, Condenser	1080795	1	1	1		
3		1080792	*	*	*	1	1
5	Coil, Condenser	1066998	1				
5		1067423	*	1	1		
5		1067421	*	*	*	1	1
6	Capacitor, 7.5 Mfd., 370 Volt	1094239	1				
6	20 Mfd., 440 Volt	1094968	*	1	1	1	1
7	Mount Kit, Blower Motor	1004905	1				
7		1002804	*	1	1	1	1
8	Motor, Blower	1054583	1				
8		1065129	*	1	1	1	1
9	Wheel, Blower 10-8 DD	600587	1				
9	11-11 DD	1054593	*	1	1	1	1
11	Coil, Evaporator	1067463	1				
11		1067471	*	1	1		
11		1067473	*	*	*	1	1
15	Transformer, 208-240V Pri, 24V Sec. 65VA	1054637	1	1	1	1	1
16	Sequencer, Blower	1054372	1	1	1	1	1
19	Lug, Ground	91590	1	1	1	1	1
20	Board, Terminal	1066159	1	1	1	1	1
22	Control, Defrost	1069364	1	1	1	1	1
24	Contact, 30 Amp., 3 Pole	607339	1	1	1	1	1
25	Valve, Reversing	1095320	1				
25		34329030	*	1	1	1	1
26	Coil, Reversing Valve 24V	34329055	1	1	1	1	1
27	Grommet, Compr. Mnting	1052060	4	4	4	4	4
28	Switch, Low Pressure	1071317	1	1	1	1	1
30	Strainer	1066804	1	1	1	1	1

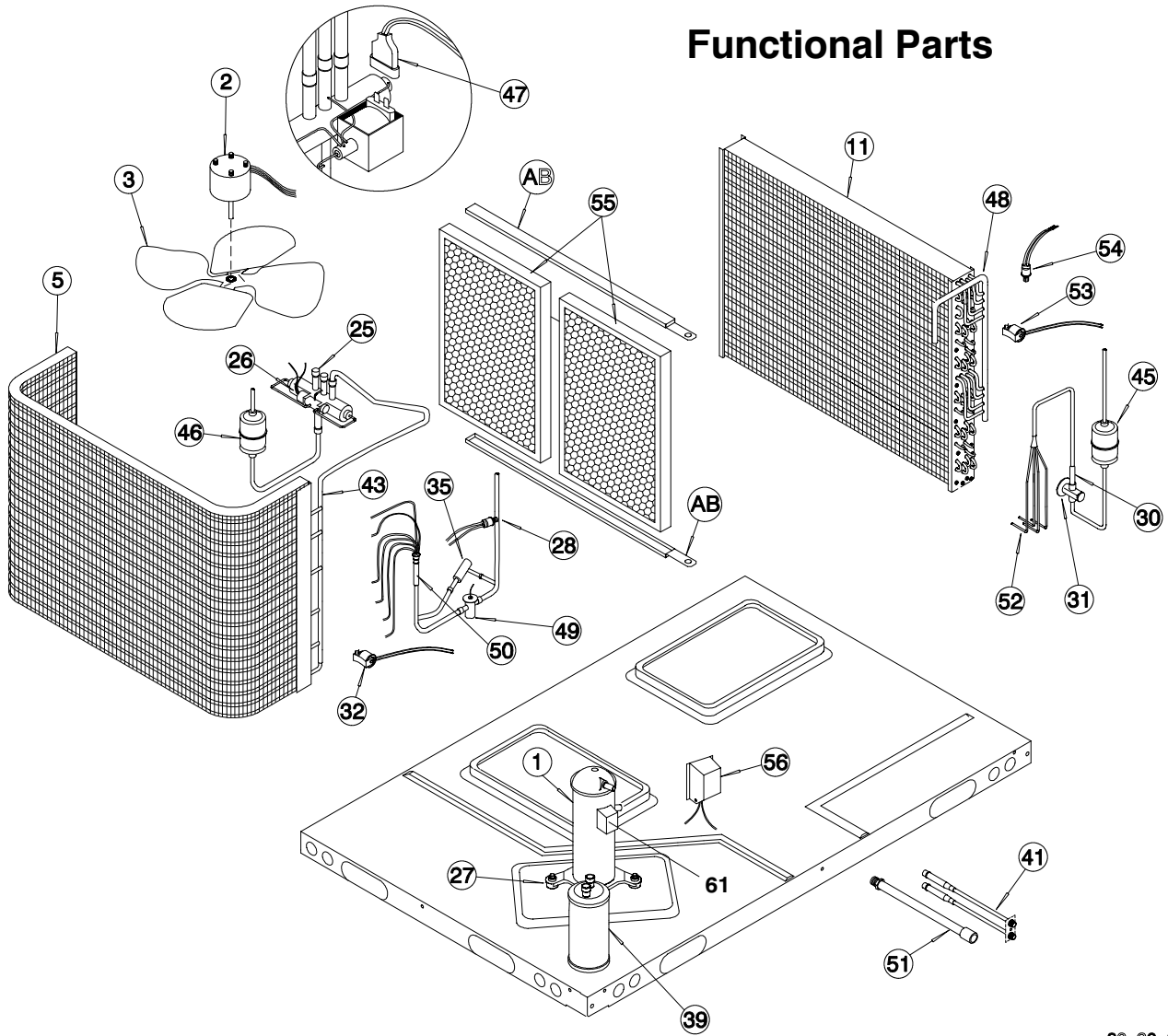
NO.	DESCRIPTION	PART NUMBER	036 H	048 H	048 L/F	060 H	060 L/F
31	Valve, Expansion	1066650	1				
31		1066490	*	1	1		
31		1066819	*	*	*	1	1
32	Sensor, Defrost	1066934	1	1	1	1	1
34	Distributor Asy	1066842	1	1	1		
34		1066955	*	*	*	1	1
35	Valve, Check	1066803	1	1	1	1	1
39	Accumulator	1053692	1				
39		1053432	*	1	1	1	1
40	Capacitor, 7.5 Mfd., 370 Volt	1094239	1	1	1		
40	10 Mfd., 440 Volt	1094965	*	*	*	1	1
41	Port Valve Assembly	1083939	1	1	1	1	1
43	Manifold, Condenser	1066596	1	1	1		
43		1066986	*	*	*	1	1
45	Drier, Filter	1083858	1	1	1	1	1
46	Muffler	1059730	1	1	1	1	1
47	Harness, Reversing Valve	1066711	1	1	1	1	1
48	Manifold, Evaporator	1067451	1				
48		1066077	*	1	1		
48		1067464	*	*	*	1	1
49	Valve, Expansion	1066522	1				
49		1066484	*	1	1		
49		1067420	*	*	*	1	1
50	Strainer	1066804	1	1	1	1	1
52	Tube Asy, Feeder	1067456	1				
52		1067470	*	1	1		
52		1066967	*	*	*	1	1
53	Switch, Temperature	1066247	1	1	1	1	1
54	Switch, High Pressure	1070152	1	1	1	1	1
55	Filter, Air 20x30x2"	1054503	2	2	2	2	2
56	Transformer, High Voltage	1065245	*	*	1		1
57	Contact, 25 Amp., 1 Pole	1050699	*	*	1		1
61	Plug, Compr. Harness	1083935	*	1		1	

NO.	DESCRIPTION	PART NUMBER	036 H	048 H	048 L/F	060 H	060 L/F
A	Grille, Outlet	1072842	1	1	1	1	1
AA	Cover, Duct	1068158	2	2	2	2	2
AB	Retainer, Filter	1054517	2	2	2	2	2
AC	Clamp, Capacitor	1095020	1	1	1	1	1
B	Panel, Top	1068157	1	1	1	1	1
C	Orifice, Condenser Fan	1065725	1	1	1	1	1
CC	Bracket, Supply Air	1054525	1	1	1	1	1
D	Housing, Blower	1065300	1				
D		1066363	*	1	1	1	1
E	Deck, Blower	1065948	1	1	1	1	1
F	Panel, Access	1068181	1	1	1	1	1
FF	Baffle, Air	1054522	1	1	1	1	1
G	Plate, Block Off	1066107	1	1	1	1	1
H	Panel, Division	1065943	1	1	1	1	1
J	Post, Electrical Corner	1068193	1	1	1	1	1
JJ	Nut, Cap	1067902	4	4	4	4	4
K	Bracket, Terminal Board Mtg.	1066106	1	1	1	1	1
KK	Baffle, Air	1066364	*	1	1	1	1
L	Plate, Conduit	1068179	1	1	1	1	1
LL	Plate, Control	1066168	1	1	1	1	1
M	Panel, Electrical Access	1068186	1	1	1	1	1
MM	Bracket, Filter Top	1065618	1	1	1	1	1
N	Panel, Pressure Port	1068164	1	1	1	1	1
NN	Support, Filter Top	1054502	1	1	1	1	1

O	Plate, Pressure Port	1068189	1	1	1	1	1
OO	Panel, Coil Support	1082434	1	1	1	1	1
PP	Panel, Heating Area	1054508	1	1	1	1	1
QQ	Baffle, Coil	1082435	1	1	1	1	1
R	Post, Corner	1068172	1	1	1	1	1
RR	Panel, Drain Outlet	1068162	1	1	1	1	1
S	Rail, Base	1065001	2	2	2	2	2
S1	Rail, Base	1054464	1	1	1	1	1
S2	Rail, Base	1084078	1	1	1	1	1
SS	Panel, Filter Access	1068175	1	1	1	1	1
T	Panel, Base	1054463	1	1	1	1	1
U	Panel, Return Air	1068160	1	1	1	1	1
UU	Post, Return Air	1068168	1	1	1	1	1
V	Partition, Return Air	1054471	1	1	1	1	1
VV	Post, Center	1068163	1	1	1	1	1
WW	Clamp, Capacitor	1095020	1				
WW		1095022	*	1	1	1	1
X	Pan, Drain	1068366	1	1	1	1	1
XX	Panel, Cut Off	95143	1				
XX		1065073	*	1	1	1	1
Y	Bracket, Evaporator	1082436	1	1	1	1	1
YY	Bracket, Blower Support	1065030	*	1	1	1	1
Z	Panel, Supply Air	1068161	1	1	1	1	1
ZZ	Handle, Filter Door	1068209	1	1	1	1	1
)(	Manual, Parts List	516041001	1	1	1	1	1
)(	Manual, Installation	516011001	1	1	1	1	1

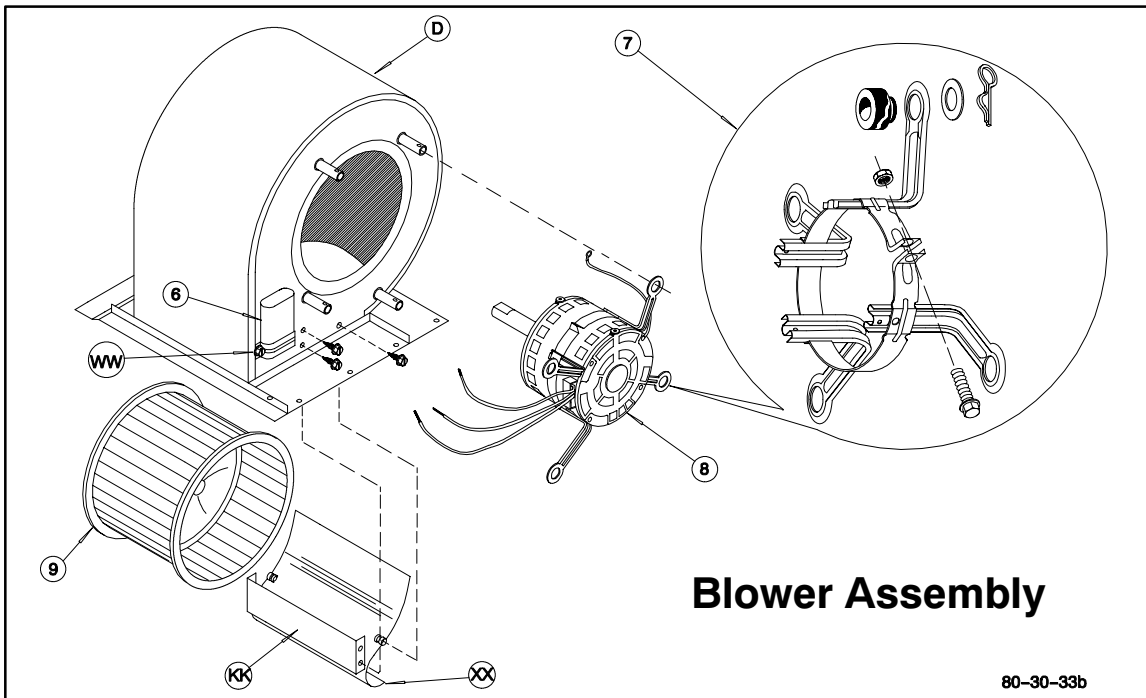


# Functional Parts



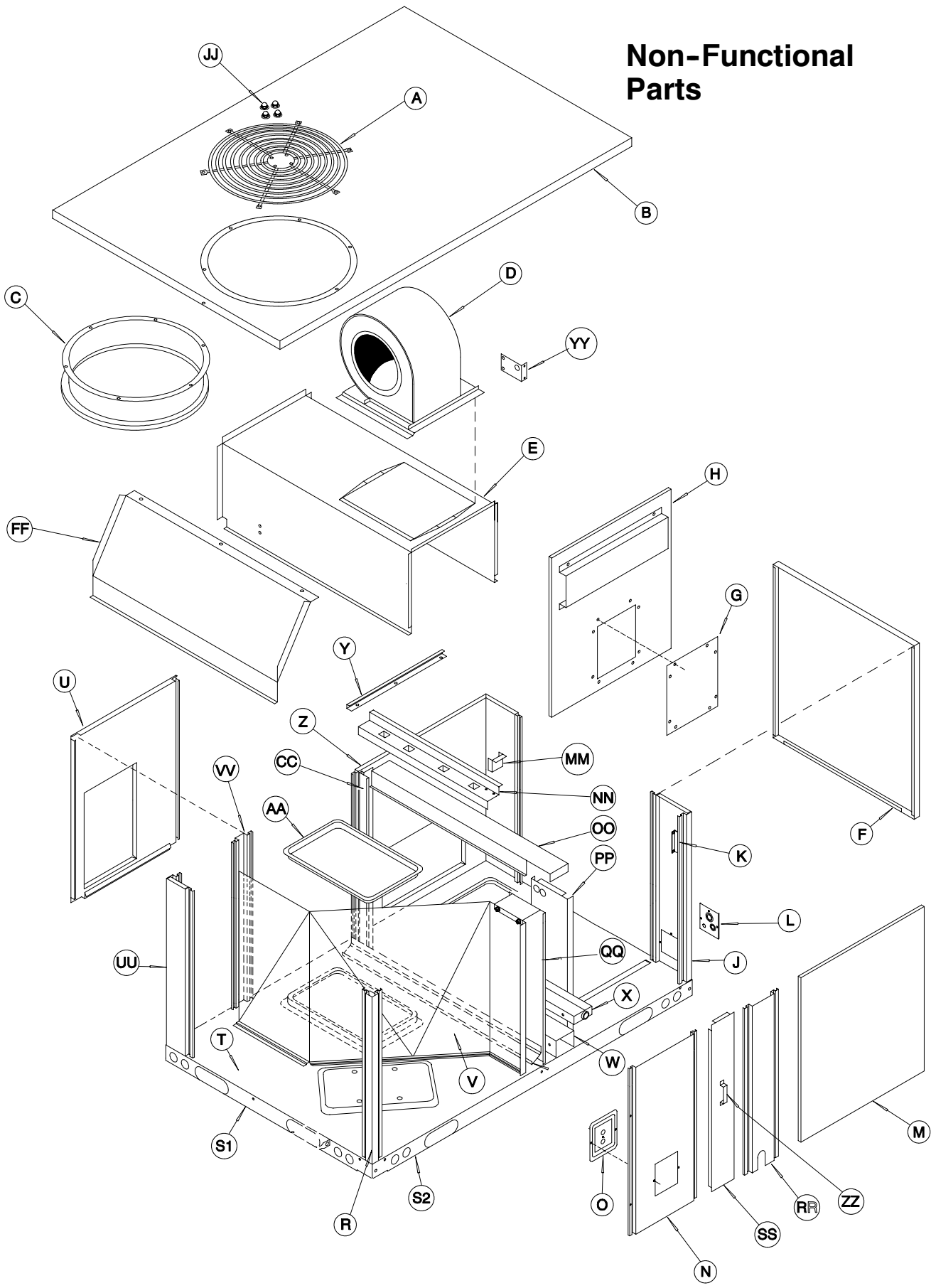
80-30-86

# Blower Assembly



80-30-33b

# Non-Functional Parts











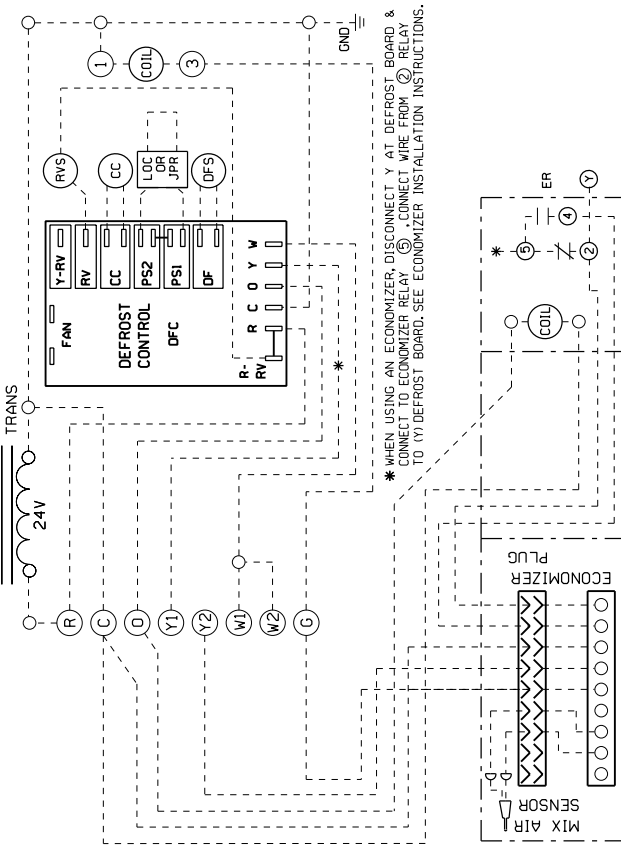
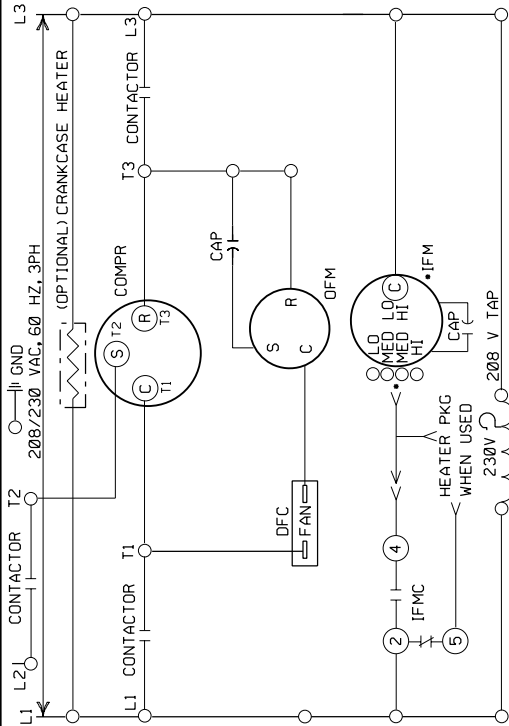




# 208-230 Volt Models

LADDER WIRING DIAGRAM

DANGER: ELECTRICAL SHOCK HAZARD DISCONNECT POWER BEFORE SERVICING



TRANS.....TRANSFORMER  
 COMPR.....COMPRESSOR  
 CAP.....CAPACITOR  
 FT.....FREEZE THERMOSTAT  
 CONT.....CONTACTOR  
 JPR.....JUMPER WIRE

LEGEND

LVTB.....LOW VOLT TERM BOARD  
 IFMC.....INDOOR FAN MOTOR CONTROL  
 IFM.....INDOOR FAN MOTOR  
 RVS.....REVERSING VALVE SOLENOID  
 OFM.....OUTDOOR FAN MOTOR  
 LOC.....LOSS OF CHARGE PRESSURE SWITCH

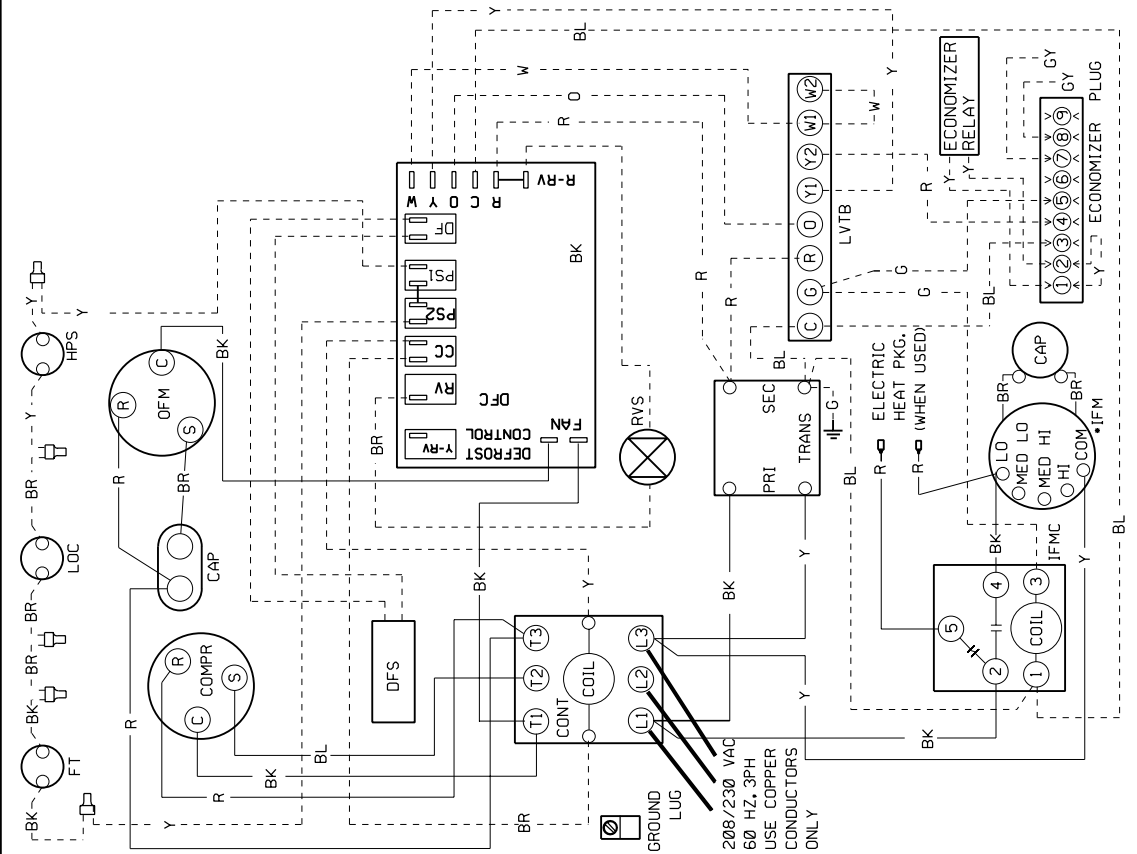
ECONOMIZER (OPTIONAL)

TRANS.....TRANSFORMER  
 DFC.....DEFROST SENSOR  
 DFC.....DEFROST RELAY  
 ER.....ECONOMIZER RELAY  
 HPS.....HIGH PRESSURE SWITCH  
 JPR.....JUMPER WIRE

1082343

CONNECTION WIRING DIAGRAM

DANGER: ELECTRICAL SHOCK HAZARD DISCONNECT POWER BEFORE SERVICING



IF ANY OF THE ORIGINAL WIRE AS SUPPLIED WITH THE APPLIANCE MUST BE REPLACED, IT MUST BE REPLACED WITH TYPE AWN-105°C OR ITS EQUIVALENT.

SEE INSTALLATION INSTRUCTIONS FOR PROPER HEATING AND COOLING CONNECTIONS FOR YOUR UNIT

LINE VOLTAGE FACTORY	COLOR CODE	WHITE	W
LINE VOLTAGE FIELD	BLACK BK	GREEN	G
LOW VOLTAGE FACTORY	BLUE BL	ORANGE	O
LOW VOLTAGE FIELD	BROWN BR	RED	R
LOW VOLTAGE FIELD	GRAY GY	VIOLET	V

