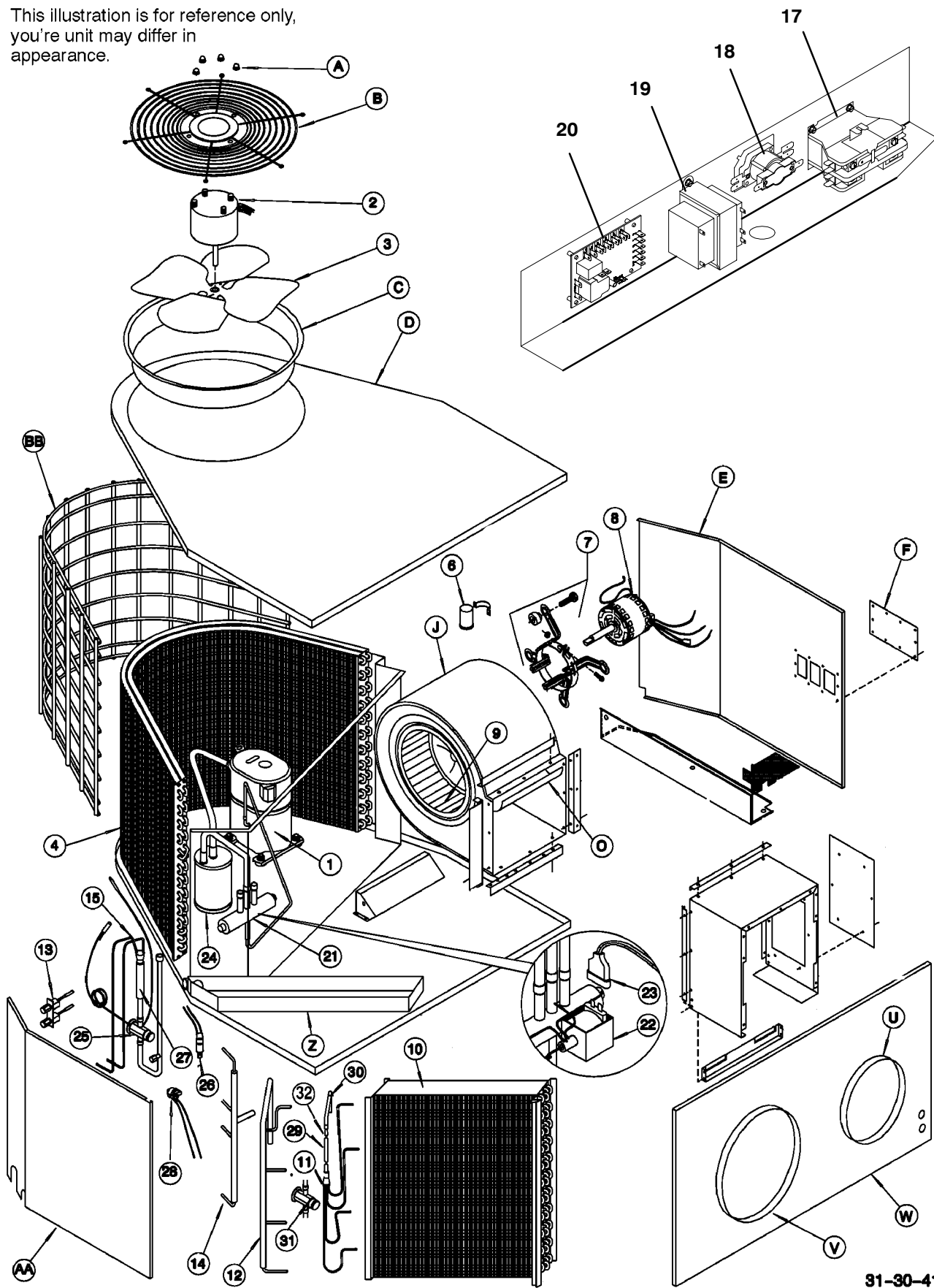


Parts List, Wiring Diagrams, Tech Labels - PH55/PYPA Series, One Phase

This illustration is for reference only,
you're unit may differ in
appearance.



31-30-41

Parts List, Wiring Diagrams, Tech Labels - PH55/PYPA Series, One Phase

PH5524AKA4, PH5530AKA4, PH5536AKA4, PH5542AKA4, PH5548AKA4, PH5560AKA4
 PYPA24GA4, PYPA30GA4, PYPA30GA4, PYPA42GA4, PYPA48GA4, PYPA60GA4

	DESCRIPTION	PART No.	2 4	3 0	3 6	4 2	4 8	6 0		DESCRIPTION	PART No.	2 4	3 0	3 6	4 2	4 8	6 0	
1	Compressor, CR24KFPFV	1083695	1							16	Capacitor, 35Mfd+ 3Mfd/440V	1082636	1	1				
1	CR28KFPFV	1082717	*	1						16	50Mfd + 5Mfd / 370Volt	1094993	*	*	1			
1	CR34K6PFV	1083696	*	*	1					16	40Mfd + 5Mfd / 440Volt	1094987	*	*	*	1		
1	ZR42KCPFV	1082502	*	*	*	1				16	40Mfd + 5Mfd / 370Volt	1094980	*	*	*	*	1	
1	ZR45KCPFV	1082503	*	*	*	*	1			16	80Mfd +7.5Mfd / 370Volt	1149999	*	*	*	*	*	1
1	ZR57K3PFV	1083019	*	*	*	*	*	1		17	Contactora, 25 Amp	1050699	1	1	1			
2	Motor, Condenser Fan	1082639	1	1						17	35 Amp	1050839	*	*	*	1		
2		1082642	*	*	1	1	1	1		17	40 Amp	1059574	*	*	*	*	1	1
3	Fan Blade, Condenser	1096903	1	1						18	Sequencer	1054372	1	1	1	1	1	1
3		1096902	*	*	1	1	1	1		19	Transformer	1082611	1	1	1	1	1	1
4	Coil, Condenser	1081262	1							20	Control, Defrost	1069364	1	1	1	1	1	1
4		1081263	*	1	1					21	Valve, Reversing	34329022	1					
4		1081264	*	*	*	1	1			21		34329000	*	1	1			
4		1082372	*	*	*	*	*	1		21		513542	*	*	*	1		
6	Capacitor, 5Mfd / 370Volt	1094954	1	1	1	1				21		34329002	*	*	*	*	1	1
6	20Mfd / 370Volt	1094961	*	*	*	*	1	1		22	Coil, Reversing. Valve (24V)	34329055	1	1	1	1	1	1
7	Mount, Blower Motor Kit	609227	1	1	1	1	1			23	Harness, Reversing. Valve	1066711	1	1	1	1	1	1
7		52202002 4	*	*	*	*	*	1		24	Accumulator	1053427	1	1	1			
8	Motor, Blower	1082061	1							24		1053428	*	*	*	1	1	1
8		1081398	*	1						25	Valve, Expansion (Cond.)	1082030	1					
8		1081399	*	*	1	1				25		1082031	*	1				
8		1081194	*	*	*	*	1			25		1082032	*	*	1			
8		1082177	*	*	*	*	*	1		25		1082033	*	*	*	1		
9	Wheel, Blower	2120144	1	1						25		1082034	*	*	*	*	1	
9		706038	*	*	1	1				25		1083407	*	*	*	*	*	1
9		1082068	*	*	*	*	1			26	Switch, Low Pressure	1085492	*	*	*	1	1	1
9		1082069	*	*	*	*	*	1		27	Tube W/Strainer	1068116	1	1	1	1	1	1
10	Coil, Evaporator	1097600	1							28	Sensor, Defrost	1098065	1	1	1			
10		1097603	*	1						28		1097660	*	*	*	1	1	1
10		1097604	*	*	1					29	Restrictor, Flow Control .058	1082043	1					
10		1097605	*	*	*	1				29	.066	1082044	*	1				
10		1097609	*	*	*	*	1			29	.069	1082045	*	*	1			
10		1097615	*	*	*	*	*	1		29	.076	1082046	*	*	*	1		
10			*	*	*	*	*	1		29	.081	1082047	*	*	*	*	1	
11	Feeder Tube Assy (Evap)	1081295	1							30	Tube W/Strainer (Evap)	1083529	*	*	*	*	*	1
11		1081296	*	1						31	Valve, Expansion (Evap)	1082295	*	*	*	*	*	1
11		1081297	*	*	1					32	Tube W/Strainer / TXV	1083428	*	*	*	*	*	1
11		1081298	*	*	*	1				33	Plug, Compressor Harness	1083654	1	1	1	1	1	1
11		1081299	*	*	*	*	1											
11		1082293	*	*	*	*	*	1										
12	Manifold (Evaporator)	1097585	1	1	1													
12		1097587	*	*	*	1												
12		1097588	*	*	*	*	1											
12		1097590	*	*	*	*	*	1										
13	Port Assembly, (Test)	1083656	1	1	1	1	1	1										
14	Manifold (Condenser)	1081276	1															
14		1081277	*	1	1													
14		1081278	*	*	*	1	1											
14		1082373	*	*	*	*	*	1										
15	Feeder Tube Assy (Cond)	1081283	1															
15		1081284	*	1	1													
15		1081285	*	*	*	1	1											
15		1083417	*	*	*	*	*	1										

Parts List, Wiring Diagrams, Tech Labels - PH55/PYPA Series, One Phase

PH5524AKA4, PH5530AKA4, PH5536AKA4, PH5542AKA4, PH5548AKA4, PH5560AKA4
 PYPA24GA4, PYPA30GA4, PYPA30GA4, PYPA42GA4, PYPA48GA4, PYPA60GA4

	DESCRIPTION	PART No.	2 4	3 0	3 6	4 2	4 8	6 0
A	Nut, Cap	1067902	4	4	4	4	4	4
AA	Panel, Side (Evaporator)	1081102	1	1	1	1	1	1
B	Grille, Top	1084490	1	1	1	1	1	
B		1072868	*	*	*	*	*	1
BB	Grille, Inlet	1081378	1	1	1	1	1	1
C	Orifice, Condenser Fan	1065724	1	1	1	1	1	1
D	Panel, Top	1068344	1	1	1	1	1	1
E	Panel, Side (Blower)	1081103	1	1	1	1	1	1
F	Cover, Side (Blower)	1081375	1	1	1	1	1	1
J	Housing, Blower	1081214	1	1				
J		1081213	*	*	1	1	1	
J		1082149	*	*	*	*	*	1
O	Panel, Blower Cutoff	72102000 2	1	1				
O		72102001 3	*	*	1	1	1	
O		1082176	*	*	*	*	*	1
U	Ring, Air Duct 12"	1066734	1	1	1	1	1	1
V	Ring, Air Duct 14"	1066735	1	1	1	1	1	1
W	Panel, Rear	1098525	1	1	1	1	1	1
Z	Pan, Drain	1081120	1	1	1	1	1	1
)(Manual, Parts List	42704100 6	1	1	1	1	1	1
)(Manual, Owners	1067618	1	1	1	1	1	1
)(Manual, Installation	42701100 1	1	1	1	1	1	1

Parts List, Wiring Diagrams, Tech Labels - PH55/PYPA Series, One Phase

PH5524AKA / PYPA24GA

Style No:	2 Ton Pkg Heat Pump		Outdoor Ambient Temperature - Degrees F. Dry Bulb																				
			75				85				95				105				115				
			Entering Indoor Temperature - Degrees F. Wet Bulb																				
Voltage	208 / 230	IDB	59	63	67	71	59	63	67	71	59	63	67	71	59	63	67	71	59	63	67	71	
Phase/Cycles	1		75	MBh	21.5	22.2	24.0	25.8	21.0	21.7	23.4	25.2	20.5	21.1	22.9	24.5	19.5	20.1	21.7	23.3	18.1	18.6	20.1
Ampacity	17	S/T		0.85	0.76	0.57	0.37	0.87	0.78	0.59	0.38	0.90	0.80	0.61	0.39	0.93	0.83	0.63	0.40	0.94	0.84	0.63	0.41
Wire Ga/Length	NEC	AMPS		10.0	10.2	10.5	10.8	10.7	10.9	11.2	11.6	11.3	11.6	11.9	12.3	12.0	12.2	12.6	13.0	12.6	12.9	13.2	13.7
Delay Fuse	20	HI PR		182	195	206	215	207	222	235	245	235	253	267	279	265	285	301	314	292	315	332	347
Max. Fuse/HACR	25	80	LO PR	61	65	71	75	63	67	74	78	66	71	77	82	70	74	81	86	72	77	84	89
Compressor	COPELAND		MBh	21.9	22.4	23.9	25.6	21.4	21.9	23.4	25.0	20.9	21.3	22.8	24.4	19.8	20.3	21.7	23.2	18.4	18.8	20.1	21.4
RLA	11.3		S/T	0.93	0.87	0.71	0.53	0.95	0.89	0.73	0.54	0.98	0.92	0.75	0.56	1.00	0.96	0.78	0.58	1.00	0.96	0.78	0.59
LRA	61		AMPS	10.0	10.2	10.5	10.9	10.8	11.0	11.3	11.7	11.4	11.7	12.0	12.4	12.1	12.3	12.7	13.1	12.7	13.0	13.3	13.8
Cap MFD/V	35 / 370	85	HI PR	183	197	208	217	209	224	237	247	238	256	270	282	267	288	304	317	295	318	336	350
CC Heater	N/A		LO PR	62	65	71	76	64	68	74	79	67	71	78	83	70	75	82	87	73	77	85	90
Start Kit	NAMA001SC		MBh	22.3	22.7	23.8	25.4	21.8	22.2	23.3	24.8	21.2	21.7	22.7	24.2	20.2	20.6	21.6	23.0	18.7	19.1	20.0	21.3
Cond & Evap	Cond		Evap	S/T	0.97	0.94	0.85	0.69	1.00	0.96	0.87	0.71	1.00	0.99	0.90	0.73	1.00	1.00	0.93	0.76	1.00	1.00	0.94
Type	Fan	Blower	AMPS	10.1	10.3	10.6	11.0	10.9	11.1	11.4	11.8	11.5	11.8	12.1	12.5	12.2	12.4	12.8	13.2	12.8	13.1	13.5	13.9
Size	20	DD10-6	HI PR	185	199	211	220	211	227	239	250	240	258	273	284	270	291	307	320	298	321	339	354
Motor-HP	1/6	1 / 4	LO PR	62	66	72	77	65	69	75	80	68	72	79	84	71	76	83	88	74	78	85	91
Type	PSC	PSC	Heating																				
FLA	1	2.1	Outdoor Ambient Temperature - Degrees F. Dry Bulb																				
LRA	1.72	3.1	IDB	65	60	55	50	47	45	40	35	30	25	20	17	15	10	5	0	-5	-10		
RPM	1100	1075	70	MBh	31.3	29.6	27.6	25.8	24.6	23.8	21.9	20.1	16.5	14.8	13.1	12.0	11.6	10.4	9.2	8.0	6.8	5.6	
Cap MFD/V	3 / 440	5 / 370		T/R	36.3	34.2	31.9	29.8	28.5	27.6	25.4	23.3	19.2	17.1	15.1	13.9	13.4	12.0	10.6	9.3	7.9	6.5	
PTCR	N/A	KW		2.50	2.44	2.39	2.34	2.31	2.29	2.24	2.19	1.95	1.90	1.86	1.83	1.81	1.77	1.72	1.68	1.63	1.58		
Hi Press	N/A	AMPS		12.8	12.0	11.3	10.7	10.4	10.2	9.7	9.3	9.0	8.7	8.3	8.1	8.1	7.7	7.3	7.0	6.6	6.1		
Low Press	N/A	COP	3.68	3.54	3.37	3.22	3.12	3.05	2.87	2.69	2.48	2.28	2.06	1.92	1.87	1.72	1.56	1.40	1.23	1.04			
Low Amb	N/A	EER	12.6	12.1	11.5	11.0	10.6	10.4	9.8	9.2	8.5	7.8	7.0	6.6	6.4	5.9	5.3	4.8	4.2	3.5			
LOC Press	N/A	HI PR	266	255	245	234	229	225	216	207	199	190	182	178	174	168	161	155	149	144			
Defrost	Timed	LO PR	70	65	61	56	53	51	47	42	38	34	30	28	27	22	19	16	14	11			
Sensor	31 / 51	Air Delivery in CFM - Dry Coil (Add .08 static W/Internal Filters - Subtract 25 CFM for Wet Coil)																					
Operating Chg	(R-22 Oz)	230 Volt External Static Press (Inch Water Column) 208 Volt External Static Press (Inch Water Column)																					
Service Driers	63	Motor Speed	0.15	0.25	0.35	0.45	0.55	0.65	0.75	Speed Tap	0.15	0.25	0.35	0.45	0.55	0.65	0.75	Part No: 1083742					
Liquid/Chg	8 Cu In / 7 oz	HI	-	1070	1053	1028	994	944	884	HI	-	910	895	874	845	802	751						
Suction	30 Sq In	MD HI	-	901	887	875	856	826	737	MD HI	-	766	754	744	728	702	626						
Unit Weight	335	MD LO	-	767	759	747	718	672	671	MD LO	-	652	645	635	610	571	570						
		LO	-	-	-	-	-	-	-	LO	-	-	-	-	-	-	-						

PH5530AKA / PYPA30GA

Style No:	2.5 Ton Pkg Heat Pump		Outdoor Ambient Temperature - Degrees F. Dry Bulb																				
			75				85				95				105				115				
			Entering Indoor Temperature - Degrees F. Wet Bulb																				
Voltage	208 / 230	IDB	59	63	67	71	59	63	67	71	59	63	67	71	59	63	67	71	59	63	67	71	
Phase/Cycles	1		75	MBh	27.0	27.8	30.1	32.3	26.4	27.2	29.4	31.6	25.7	26.5	28.7	30.8	24.5	25.2	27.3	29.2	22.7	23.3	25.2
Ampacity	21.1	S/T		0.86	0.77	0.58	0.37	0.88	0.79	0.60	0.38	0.91	0.81	0.61	0.40	0.94	0.84	0.64	0.41	0.95	0.85	0.64	0.41
Wire Ga/Length	NEC	AMPS		12.4	12.7	13.0	13.4	13.3	13.6	14.0	14.5	14.1	14.4	14.9	15.4	14.9	15.3	15.7	16.3	15.7	16.1	16.6	17.2
Delay Fuse	25	HI PR		186	200	212	221	212	228	241	251	241	260	274	286	271	292	309	322	300	323	341	356
Max. Fuse/HACR	30	80	LO PR	65	69	75	80	67	72	78	83	71	75	82	88	74	79	86	92	77	82	89	95
Compressor	COPELAND		MBh	27.5	28.1	30.0	32.1	26.9	27.4	29.3	31.3	26.2	26.8	28.6	30.6	24.9	25.4	27.2	29.0	23.1	23.6	25.2	26.9
RLA	13.72		S/T	0.94	0.88	0.72	0.54	0.96	0.90	0.74	0.55	1.00	0.93	0.76	0.57	1.00	0.97	0.79	0.59	1.00	0.98	0.80	0.59
LRA	75		AMPS	12.5	12.8	13.1	13.6	13.4	13.7	14.1	14.6	14.3	14.6	15.0	15.5	15.1	15.4	15.6	16.4	15.9	16.2	16.7	17.3
Cap MFD/V	35 / 370	85	HI PR	188	203	214	223	214	230	243	254	244	262	277	289	274	295	312	325	303	326	344	359
CC Heater	N/A		LO PR	65	70	76	81	68	72	79	84	71	76	83	88	75	80	87	93	77	82	90	96
Start Kit	NAMA001SC		MBh	28.0	28.5	29.9	31.9	27.3	27.9	29.2	31.1	26.7	27.2	28.5	30.4	25.3	25.8	27.0	28.8	23.5	23.9	25.0	26.7
Cond & Evap	Cond		Evap	S/T	0.99	0.95	0.86	0.70	1.00	0.98	0.88	0.71	1.00	1.00	0.91	0.74	1.00	1.00	0.94	0.77	1.00	1.00	0.95
Type	Fan	Blower	AMPS	12.6	12.9	13.2	13.7	13.5	13.8	14.2	14.7	14.4	14.7	15.1	15.6	15.2	15.5	16.0	16.6	16.0	16.4	16.9	17.4
Size	20	DD10-6	HI PR	190	205	216	225	216	233	246	256	246	265	280	292	277	298	315	328	306	329	348	363
Motor-HP	1/6	1 / 3	LO PR	66	70	77	82	69	73	80	85	72	77	84	89	76	80	88	94	78	83	91	97
Type	PSC	PSC	Heating																				
FLA	1	2.9	IDB	65	60	55	50	47	45	40	35	30	25	20	17	15	10	5	0	-5	-10		
LRA	1.72	5.6	70	MBh	35.7	33.7	31.4	29.3	28.0	27.1	25.0	22.9	19.2	17.2	15.1	13.9	13.4	12.0	10.6	9.3	7.9	6.5	
RPM	1100	1075		T/R	33.0	31.2	29.1	27.1	25.9	25.1	23.1	21.2	17.7	15.9	14.0	12.9	12.4	11.1	9.9	8.6	7.3	6.0	
Cap MFD/V	3 / 440	5 / 370		KW	2.75	2.70	2.65	2.59	2.56	2.54	2.49	2.44	2.24	2.20	2.15	2.12	2.10	2.05	2.01	1.96	1.91	1.86	
PTCR	N/A	AMPS		15.6	14.6	13.7	13.0	12.6	12.4	11.8	11.3	10.9	10.4	10.0	9.8	9.7	9.3	8.8	8.4	7.9	7.2		
Hi Press	N/A	COP	3.80	3.65	3.47	3.31	3.20	3.12	2.93	2.75	2.50	2.29	2.06	1.92	1.86	1.71	1.55	1.39	1.21	1.02			
Low Press	N/A	EER	13.0	12.5	11.9	11.3	10.9	10.7	10.0	9.4	8.5	7.8	7.0	6.6	6.4	5.8	5.3	4.7	4.1	3.5			
Low Amb	N/A	HI PR	242	232	223	213	208	204	196	188	180	172	165	161	158	152	147	141	136	131			
LOC Press	N/A	LO PR	66	62	58	53	50	48	44	39	36	32	28	26	25	21	18	15	13	11			
Defrost	Timed	Air Delivery in CFM - Dry Coil (Add .08 static W/Internal Filters - Subtract 25 CFM for Wet Coil)																					
Sensor	31 / 51	230 Volt External Static Press (Inch Water Column) 208 Volt External Static Press (Inch Water Column)																					
Operating Chg	(R-22 Oz)	Motor Speed	0.15	0.25	0.35	0.45	0.55	0.65	0.75	Speed Tap	0.15	0.25	0.35	0.45	0.55	0.65	0.75	Part No: 1083743					
Service Driers	95	HI	-	1130	1086	1033	973	901	817	HI	-	961	923	878	827	766	694						
Liquid/Chg	16 Cu In / 11 oz	MD HI	-	1069	1023	982	927	863	781	MD HI	-	909	870	835	788	734	664						
Suction	30 Sq In	MD LO	-	976	946	946	910	863	805	MD LO	-	830	804	804	774	734	684						
Unit Weight	344	LO																					

Parts List, Wiring Diagrams, Tech Labels - PH55/PYPA Series, One Phase

PH5536AKA / PYPA36GA

Style No:		3 Ton Pkg Heat Pump		Outdoor Ambient Temperature - Degrees F. Dry Bulb																															
				75				85				95				105				115															
				Entering Indoor Temperature - Degrees F. Wet Bulb																															
				59				63				67				71				59				63				67				71			
Voltage	208 / 230	IDB	MBh	32.1	33.1	35.8	38.4	31.4	32.3	35.0	37.5	30.6	31.5	34.1	36.6	29.1	29.9	32.4	34.8	26.9	27.7	30.0	32.2												
Phase/Cycles	1			S/T	0.88	0.79	0.60	0.38	0.90	0.81	0.61	0.39	0.93	0.83	0.63	0.41	0.97	0.86	0.65	0.42	0.98	0.87	0.66	0.42											
Ampacity	25.6			AMPS	14.9	15.2	15.6	16.1	16.0	16.3	16.8	17.3	16.9	17.3	17.8	18.3	17.8	18.2	18.7	19.4	18.8	19.2	19.7	20.4											
Wire Ga/Length	NEC			HI PR	185	199	210	219	210	226	239	249	240	258	272	284	270	290	306	319	298	320	338	353											
Delay Fuse	30			LO PR	61	65	71	75	63	67	74	78	66	71	77	82	70	74	81	86	72	77	84	89											
Max. Fuse/HACR	40	80	MBh	32.7	33.4	35.7	38.2	31.9	32.6	34.9	37.3	31.1	31.8	34.0	36.3	29.6	30.2	32.3	34.5	27.4	28.0	29.9	32.0												
Compressor	COPELAND			S/T	0.97	0.91	0.74	0.55	0.99	0.93	0.76	0.56	1.00	0.96	0.78	0.58	1.00	0.99	0.81	0.61	1.00	1.00	0.82	0.61											
RLA	15.2			AMPS	15.0	15.3	15.8	16.3	16.1	16.4	16.9	17.4	17.0	17.4	17.9	18.5	18.0	18.4	18.9	19.5	18.9	19.3	19.9	20.5											
LRA	96			HI PR	187	201	212	221	212	229	241	252	242	260	275	287	272	293	309	323	301	324	342	357											
Cap MFD/V	50 / 370			LO PR	62	65	71	76	64	68	74	79	67	71	78	83	70	75	82	87	73	77	85	90											
CC Heater	NAMA001SC	85	MBh	33.3	33.9	35.5	37.9	32.5	33.1	34.7	37.0	31.7	32.3	33.8	36.1	30.1	30.7	32.1	34.3	27.9	28.4	29.8	31.8												
Start Kit				S/T	1.00	0.98	0.88	0.72	1.00	1.00	0.90	0.73	1.00	1.00	0.93	0.76	1.00	1.00	0.97	0.79	1.00	1.00	0.98	0.79											
Cond & Evap	Cond Evap			AMPS	15.1	15.5	15.9	16.4	16.2	16.6	17.0	17.6	17.2	17.5	18.0	18.6	18.1	18.5	19.0	19.7	19.1	19.5	20.0	20.7											
Type	Fan Blower			HI PR	189	203	214	224	215	231	244	254	244	263	278	290	275	296	312	326	304	327	345	360											
Size	20 DD10-8			LO PR	62	66	72	77	65	69	75	80	68	72	79	84	71	76	83	88	74	78	85	91											
Motor-HP	1/3 1/2	Heating		Outdoor Ambient Temperature - Degrees F. Dry Bulb																															
Type	PSC PSC	IDB	MBh	42.0	39.7	37.0	34.6	33.0	32.0	29.4	27.0	25.8	23.1	20.3	18.7	18.0	16.2	14.3	12.5	10.7	8.7														
FLA	1.4 4.9			T/R	32.4	30.6	28.5	26.7	25.5	24.7	22.7	20.8	19.9	17.8	15.7	14.4	13.9	12.5	11.1	9.6	8.2	6.7													
LRA	4.04 7.4			KW	3.37	3.30	3.24	3.18	3.14	3.11	3.05	2.99	2.76	2.70	2.64	2.61	2.59	2.53	2.47	2.41	2.35	2.30													
RPM	1120 1075			AMPS	18.2	17.1	16.2	15.4	14.9	14.7	14.0	13.4	12.9	12.5	12.0	11.8	11.7	11.2	10.6	10.2	9.6	8.9													
Cap MFD/V	5 / 370 5 / 370			COP	3.66	3.52	3.34	3.18	3.08	3.01	2.82	2.64	2.74	2.50	2.25	2.10	2.04	1.87	1.70	1.51	1.33	1.11													
PTCR	N/A	70	EER	12.5	12.0	11.4	10.9	10.5	10.3	9.6	9.0	9.3	8.5	7.7	7.2	7.0	6.4	5.8	5.2	4.5	3.8														
Hi Press	N/A			HI PR	248	237	228	218	213	209	201	193	185	176	169	165	162	156	150	144	139	134													
Low Press	N/A			LO PR	61	57	53	49	46	44	41	36	33	29	26	24	23	19	17	14	12	10													
Low Amb	N/A			Air Delivery in CFM - Dry Coil (Add .08 static W/Internal Filters - Subtract 25 CFM for Wet Coil)																															
LOC Press	N/A			230 Volt	External Static Pressure (Inch Water Column)	0.15	0.25	0.35	0.45	0.55	0.65	0.75	208 Volt	External Static Pressure (Inch Water Column)	0.15	0.25	0.35	0.45	0.55	0.65	0.75	Part No:													
Defrost	Timed	Motor Speed	HI	-	1589	1540	1467	1411	1323	1235	HI	-	1351	1309	1247	1199	1125	1050	1083744																
Sensor	31 / 51	MD HI	-	1471	1427	1379	1329	1256	1181	MD HI	-	1250	1213	1172	1130	1068	1004																		
Operating Chg	(R-22 Oz) 112	MD LO	-	1373	1337	1292	1260	1186	1109	MD LO	-	1167	1136	1098	1071	1008	943																		
Service Driers	16 Cu In / 11 oz	LO	-	1208	1190	1176	1137	1085	1019	LO	-	1027	1012	1000	966	922	866																		
Liquid/Chg	30 Sq In																																		
Suction	356																																		
Unit Weight																																			

PH5542AKA / PYPA42GA

Style No:		3.5 Ton Pkg Heat Pump		Outdoor Ambient Temperature - Degrees F. Dry Bulb																															
				75				85				95				105				115															
				Entering Indoor Temperature - Degrees F. Wet Bulb																															
				59				63				67				71				59				63				67				71			
Voltage	208 / 230	IDB	MBh	37.8	38.9	42.1	45.2	36.9	38.0	41.1	44.1	36.0	37.1	40.1	43.1	34.2	35.2	38.1	40.9	31.7	32.6	35.3	37.9												
Phase/Cycles	1			S/T	0.89	0.80	0.60	0.39	0.91	0.82	0.62	0.40	0.94	0.84	0.64	0.41	0.98	0.88	0.66	0.43	0.99	0.88	0.67	0.43											
Ampacity	31.7			AMPS	19.1	19.5	20.1	20.7	20.5	21.0	21.6	22.3	21.8	22.3	22.9	23.7	23.0	23.5	24.2	25.1	24.2	24.8	25.5	26.4											
Wire Ga/Length	NEC			HI PR	186	200	211	220	211	227	240	250	240	259	273	285	271	291	307	321	299	322	340	354											
Delay Fuse	40			LO PR	62	66	72	76	64	68	74	79	67	72	78	83	71	75	82	87	73	78	85	90											
Max. Fuse/HACR	50	80	MBh	38.5	39.3	42.0	44.9	37.6	38.4	41.0	43.8	36.6	37.4	40.0	42.8	34.8	35.6	38.0	40.6	32.2	32.9	35.2	37.6												
Compressor	COPELAND			S/T	0.98	0.92	0.75	0.56	1.00	0.94	0.77	0.57	1.00	0.97	0.79	0.59	1.00	1.00	0.82	0.61	1.00	1.00	0.83	0.62											
RLA	20.1			AMPS	19.3	19.7	20.2	20.9	20.7	21.2	21.8	22.5	22.0	22.4	23.1	23.9	23.2	23.7	24.4	25.3	24.4	25.0	25.7	26.6											
LRA	127			HI PR	188	202	213	222	213	229	242	253	243	261	276	288	273	294	311	324	302	325	343	358											
Cap MFD/V	40 / 440			LO PR	62	66	72	77	65	69	75	80	68	72	79	84	71	76	83	88	74	78	86	91											
CC Heater	-	85	MBh	39.1	39.9	41.8	44.6	38.2	39.0	40.8	43.5	37.3	38.0	39.8	42.5	35.4	36.1	37.8	40.3	32.8	33.4	35.0	37.4												
Start Kit	NAMA001SC			S/T	1.00	0.99	0.89	0.72	1.00	1.00	0.92	0.74	1.00	1.00	0.94	0.77	1.00	1.00	0.98	0.80	1.00	1.00	0.99	0.80											
Cond & Evap	Cond Evap			AMPS	19.4	19.8	20.4	21.1	20.9	21.3	21.9	22.7	22.1	22.6	23.3	24.1	23.4	23.9	24.6	25.5	24.6	25.2	26.0	26.9											
Type	Fan Blower			HI PR	189	204	215	224	215	232	245	255	245	264	279	291	276	297	314	327	305	328	346	361											
Size	20 DD10-8			LO PR	63	67	73	78	65	70	76	81	69	73	80	85	72	77	84	89	74	79	86	92											
Motor-HP	1/3 1/2	Heating		Outdoor Ambient Temperature - Degrees F. Dry Bulb																															
Type	PSC PSC	IDB	MBh	58.0	54.7	51.0	47.6	45.5	44.1	40.6	37.2	34.2	30.6	27.0	24.8	23.9	21.4	19.0	16.6	14.1	11.6														
FLA	1.4 4.9			T/R	38.3	36.2	33.7	31.5	30.1	29.2	26.8	24.6	22.6	20.2	17.8	16.4	15.8	14.2	12.6	11.0	9.3	7.7													
LRA	4.04 7.4			KW	4.48	4.39	4.30	4.22	4.17	4.13	4.05	3.96	3.89	3.81	3.72	3.67	3.64	3.55	3.46	3.38	3.29	3.20													
RPM	1120 1075			AMPS	27.5	25.6	24.1	22.8	22.1	21.7	20.6	19.7	19.0	18.2	17.5	17.1	16.9	16.2	15.2	14.5	13.6	12.5													
Cap MFD/V	5 / 440 5 / 370			COP	3.79	3.65	3.47	3.31	3.20	3.12	2.94	2.75	2.57	2.35	2.12	1.98	1.92	1.77	1.61	1.44	1.26	1.06													
PTCR	N/A	70	EER	12.9	12.5	11.9	11.3	10.9	10.7	10.0	9.4	8.8	8.0	7.3	6.8	6.6	6.0	5.5	4.9	4.3	3.6														
Hi Press	N/A			HI PR	287	275	265	253	247	242	233	224	214	205	196	192	188	181	174	167	161	155													
Low Press	N/A			LO PR	69	64	60	55	52	50	46	41	37	33	29	27	26	22	19	16	14	11													
Low Amb	N/A			Air Delivery in CFM - Dry Coil (Add .08 static W/Internal Filters - Subtract 25 CFM for Wet Coil)																															
LOC Press	YES			230 Volt	External Static Pressure (Inch Water Column)	0.15	0.25	0.35	0.45	0.55	0.65	0.75	208 Volt	External Static Pressure (Inch Water Column)	0.15	0.25	0.35	0.45	0.55	0.65	0.75	Part No:													
Defrost	Timed	Motor Speed	HI	-	1589	1540	1467	1411	1323	1235	HI	-	1351	1309	1247	1199	1125	1050	1083745																
Sensor	31 / 51	MD HI	-	1471	1427	1379	1329	1256	1181	MD HI	-	1250	1213	1172	1130	1068	1004																		
Operating Chg	(R-22 Oz) 114	MD LO	-	1373	1337	1292	1260	1186	1109	MD LO	-	1167	1136	1098	1071	1008	943																		
Service Driers	16 Cu In / 11 oz	LO	-	1208	1190	1176	1137	1085	1019	LO	-	1027	1012	1000	966	922	866																		
Liquid/Chg	30 Sq In																																		

Parts List, Wiring Diagrams, Tech Labels - PH55/PYPA Series, One Phase

PH5548AKA / PYPA48GA

Style No:		4 Ton Pkg Heat Pump		Outdoor Ambient Temperature - Degrees F. Dry Bulb																																																																							
Voltage		208 / 230		75				85				95				105				115																																																							
Phase/Cycles		1		Entering Indoor Temperature - Degrees F. Wet Bulb																																																																							
Ampacity		35.1		59				63				67				71				59				63				67				71																																											
Wire Ga/Length	NEC	IDB		75				80				85				90				95				100				105				110				115																																							
Delay Fuse	45			MBh	42.5	43.8	47.4	50.9	41.5	42.7	46.3	49.7	40.5	41.7	45.1	48.4	38.5	39.6	42.9	46.0	35.6	36.7	39.7	42.6																																																			
Max. Fuse/HACR	50			S/T	0.89	0.80	0.60	0.39	0.91	0.82	0.62	0.40	0.94	0.84	0.64	0.41	0.98	0.88	0.66	0.43	0.99	0.88	0.67	0.43																																																			
Compressor	COPELAND			AMPS	19.1	19.5	20.0	20.7	20.5	20.9	21.5	22.2	21.7	22.2	22.8	23.6	22.9	23.4	24.1	24.9	24.1	24.6	25.4	26.3																																																			
RLA	21.8			HI PR	192	207	219	228	219	235	249	259	249	268	283	295	280	302	319	332	310	333	352	367																																																			
LRA	131			LO PR	63	67	73	78	66	70	76	81	69	73	80	85	72	77	84	90	75	80	87	93																																																			
Cap MFD/V	40 / 370			MBh	43.3	44.2	47.3	50.5	42.3	43.2	46.1	49.3	41.2	42.1	45.0	48.1	39.2	40.0	42.8	45.7	36.3	37.1	39.6	42.3																																																			
CC Heater	NAMA001SC			S/T	0.98	0.92	0.75	0.56	1.00	0.94	0.77	0.57	1.00	0.97	0.79	0.59	1.00	1.00	0.82	0.61	1.00	1.00	0.83	0.62																																																			
Start Kit				AMPS	19.2	19.6	20.2	20.8	20.6	21.1	21.7	22.4	21.9	22.3	23.0	23.8	23.1	23.6	24.3	25.1	24.3	24.9	25.6	26.5																																																			
Cond & Evap	Cond	Evap		HI PR	194	209	221	230	221	238	251	262	252	271	286	298	283	305	322	336	313	337	355	371																																																			
Type	Fan	Blower		LO PR	64	68	74	79	66	71	77	82	70	74	81	86	73	78	85	90	76	80	88	94																																																			
Size	20	DD10-8		MBh	44.0	44.9	47.0	50.2	43.0	43.8	45.9	49.0	41.9	42.8	44.8	47.8	39.8	40.6	42.5	45.4	36.9	37.6	39.4	42.0																																																			
Motor-HP	1/3	1		S/T	1.00	0.99	0.89	0.72	1.00	1.00	0.92	0.74	1.00	1.00	0.94	0.77	1.00	1.00	0.98	0.80	1.00	1.00	0.99	0.80																																																			
Type	PSC	PSC		AMPS	19.4	19.8	20.3	21.0	20.8	21.3	21.9	22.6	22.1	22.5	23.2	24.0	23.3	23.8	24.5	25.3	24.5	25.1	25.8	26.7																																																			
FLA	1.5	6.3		HI PR	196	211	223	233	223	240	254	265	254	274	289	301	286	308	325	339	316	340	359	374																																																			
LRA	4.04	13.2		LO PR	65	69	75	80	67	71	78	83	70	75	82	87	74	79	86	91	76	81	89	94																																																			
RPM	1120	1075		Heating																																																																							
Cap MFD/V	5/370	20/370		Outdoor Ambient Temperature - Degrees F. Dry Bulb																																																																							
PTCR	N/A			65				60				55				50				45				40				35				30				25				20				17				15				10				5				0				-5				-10							
Hi Press	N/A			IDB																																																																							
Low Press	N/A			70				75				80				85				90				95				100				105				110				115																																			
Low Amb	N/A			MBh	58.0	54.7	51.0	47.6	45.5	44.1	40.6	37.2	37.2	33.3	29.4	27.0	26.0	23.3	20.7	18.0	15.4	12.6	10.4	8.9	7.3																																																		
LOC Press	YES			T/R	33.5	31.6	29.5	27.6	26.3	25.5	23.5	21.5	21.5	19.3	17.0	15.6	15.0	13.5	12.0	10.4	8.9	7.3	6.0	5.1	4.3																																																		
Defrost	Timed			KW	4.61	4.52	4.44	4.35	4.30	4.26	4.18	4.09	3.99	3.90	3.82	3.77	3.73	3.65	3.56	3.48	3.39	3.31	3.23	3.15	3.07																																																		
Sensor	31 / 51			AMPS	24.7	23.1	21.8	20.6	20.0	19.7	18.7	17.9	17.3	16.6	15.9	15.6	15.5	14.8	14.0	13.4	12.6	11.6	10.8	10.1	9.4																																																		
Operating Chg	(R-22 Oz)			COP	3.68	3.54	3.36	3.21	3.10	3.03	2.84	2.66	2.73	2.50	2.25	2.10	2.04	1.87	1.70	1.52	1.33	1.12	1.00	0.90	0.81																																																		
Service Driers				EER	12.6	12.1	11.5	11.0	10.6	10.3	9.7	9.1	9.3	8.5	7.7	7.2	7.0	6.4	5.8	5.2	4.5	3.8	3.4	3.1	2.8																																																		
Liquid/Chg	30 Cu In / 17 oz			HI PR	244	234	225	215	210	206	198	190	182	174	167	163	160	154	148	142	137	132	126	121	116																																																		
Suction	30 Sq In			LO PR	65	60	57	52	49	47	43	39	35	31	27	25	25	21	18	15	13	10	9	8	7																																																		
Unit Weight	432			Air Delivery in CFM - Dry Coil (Add .08 static W/Internal Filters - Subtract 25 CFM for Wet Coil)																																																																							
				230 Volt				External Static Pressure (Inch Water Column)				208 Volt				External Static Pressure (Inch Water Column)																																																											
				Motor Speed				0.15				0.25				0.35				0.45				0.55				0.65				0.75				Speed Tap				0.15				0.25				0.35				0.45				0.55				0.65				0.75											
				HI				-				1904				1822				1736				1635				1530				1411				HI				-				1618				1549				1476				1390				1301				1199				Part No:				1083746			
				MD HI				-				1827				1759				1670				1572				1478				1377				MD HI				-				1553				1495				1420				1336				1256				1170											
				MD LO				-				1707				1651				1577				1497				1417				1322				MD LO				-				1451				1403				1340				1272				1204				1124											
				LO				-				-				-				-				-				-				-				LO				-				-				-				-				-				-															

PH5560AKA / PYPA60GA

Style No:		5 Ton Pkg Heat Pump		Outdoor Ambient Temperature - Degrees F. Dry Bulb																																																																			
Voltage		208 / 230		75				85				95				105				115																																																			
Phase/Cycles		1		Entering Indoor Temperature - Degrees F. Wet Bulb																																																																			
Ampacity		42.9		59				63				67				71				59				63				67				71																																							
Wire Ga/Length	NEC	IDB		75				80				85				90				95				100				105				110				115																																			
Delay Fuse	60			MBh	52.0	53.5	57.9	62.2	50.7	52.2	56.5	60.7	49.5	51.0	55.2	59.2	47.0	48.4	52.4	56.2	43.6	44.8	48.5	52.1																																															
Max. Fuse/HACR	60			S/T	0.88	0.79	0.60	0.38	0.90	0.81	0.61	0.39	0.93	0.83	0.63	0.41	0.97	0.86	0.65	0.42	0.98	0.87	0.66	0.42																																															
Compressor	COPELAND			AMPS	25.4	25.9	26.6	27.5	27.2	27.8	28.6	29.6	28.9	29.5	30.4	31.4	30.5	31.2	32.1	33.2	32.1	32.8	33.8	34.9																																															
RLA	29.4			HI PR	213	229	242	252	242	260	275	286	275	296	313	326	310	333	352	367	342	368	389	406																																															
LRA	175			LO PR	61	65	71	75	63	67	74	78	66	71	77	82	70	74	81	86	72	77	84	89																																															
Cap MFD/V	80 / 370			MBh	52.9	54.1	57.8	61.7	51.6	52.8	56.4	60.3	50.4	51.5	55.0	58.8	47.9	48.9	52.3	55.9	44.3	45.3	48.4	51.7																																															
CC Heater	NAMA001SC			S/T	0.97	0.91	0.74	0.55	0.99	0.93	0.76	0.56	1.00	0.96	0.78	0.58	1.00	0.99	0.81	0.61	1.00	1.00	0.82	0.61																																															
Start Kit				AMPS	25.4	26.1	26.8	27.7	27.5	28.0	28.9	29.8	29.1	29.7	30.6	31.6	30.7	31.4	32.4	33.4	32.4	33.1	34.1	35.2																																															
Cond & Evap	Cond	Evap		HI PR	215	231	244	254	244	263	277	289	278	299	316	330	313	337	356	371	346	372	393	410																																															
Type	Fan	Blower		LO PR	62	65	71	76	64	68	74	79	67	71	78	83	70	75	82	87	73	77	85	90																																															
Size	20	DD10-8		MBh	53.8	54.9	57.5	61.3	52.5	53.6	56.1	59.8	51.3	52.3	54.7	58.4	48.7	49.6	52.0	55.5	45.1	46.0	48.2	51.4																																															
Motor-HP	1/3	1		S/T	1.00	0.98	0.88	0.72	1.00	1.00	0.90	0.73	1.00	1.00	0.93	0.76	1.00	1.00	0.97	0.79	1.00	1.00	0.98	0.79																																															
Type	PSC	PSC		AMPS	25.8	26.3	27.0	27.9	27.7	28.3	29.1	30.0	29.3	30.0	30.9	31.9	31.0	31.7	32.6	33.7	32.6	33.4	34.4	35.5																																															
FLA	1.7	4.5		HI PR	217	233	246	257	247	265	280	292	281	302	319	333	316	340	359	374	349	376	397	414																																															
LRA	5	13		LO PR	62	66	72	77	65	69	75	80	68	72	79	84	71	76	83	88	74	78	85	91																																															
RPM	1140	1075		Heating																																																																			
Cap MFD/V	7.5/370	20/370		Outdoor Ambient Temperature - Degrees F. Dry Bulb																																																																			
PTCR	N/A			65				60				55				50				45				40				35				30				25				20				17				15				10				5				0				-5				-10			
Hi Press	N/A			IDB																																																																			
Low Press	N/A			70				75				80				85				90				95				100				105				110				115																															
Low Amb	N/A			MBh	76.4	72.1	67.3	62.8	60.0	58.1	53.5	49.1	46.9	42.0	37.0	34.0	32.7	29.4	26.0	22.7	19.4	15.9	11.1	9.4	7.7																																														
LOC Press	YES			T/R	37.3	35.1	32.8	30.6	29.2	28.3	26.1	23.9	22.8	20.4	18.0	16.6	16.0	14.3	12.7	11.1	9.4	7.7	6.0	5.1	4.3																																														
Defrost	Timed			KW	5.37	5.27	5.17	5.08	5.02	4.98	4.88																																																												