

Parts List

Charging Charts & Wiring Diagrams

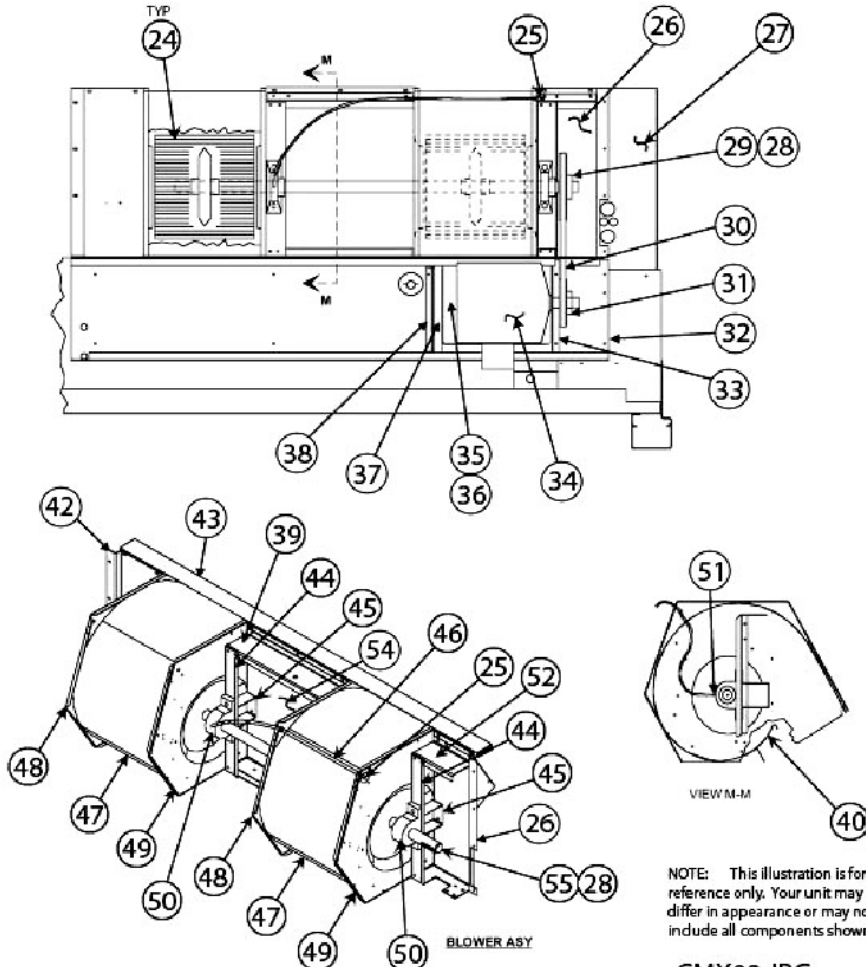
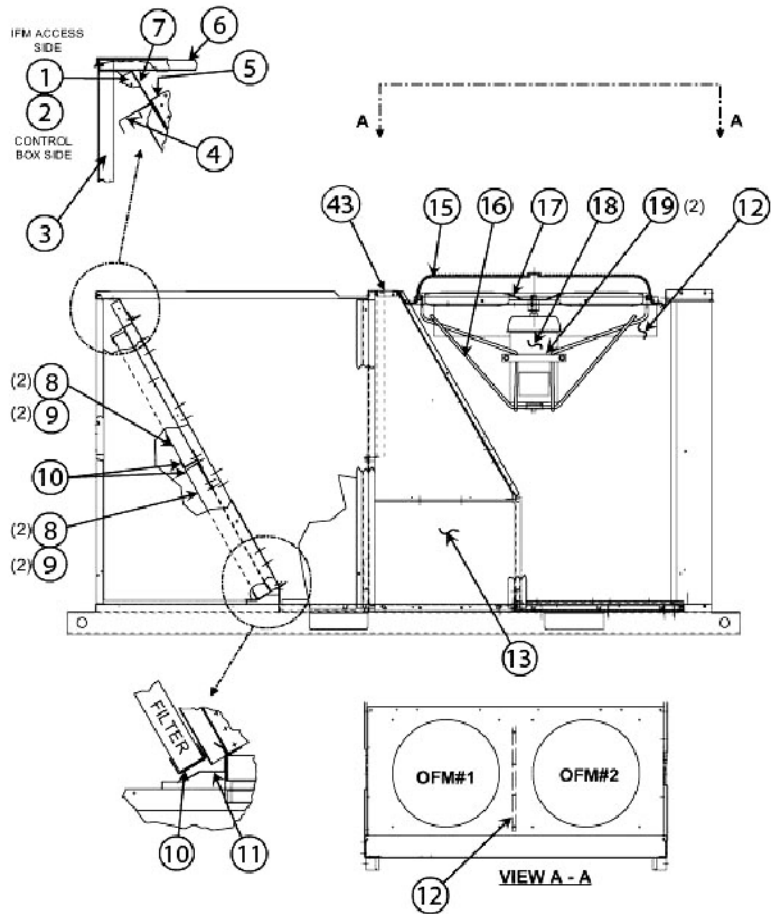
Models

**PGS300H275A
PGS300L275A
PGS300H360A
PGS300L360A
PGS300S360A**

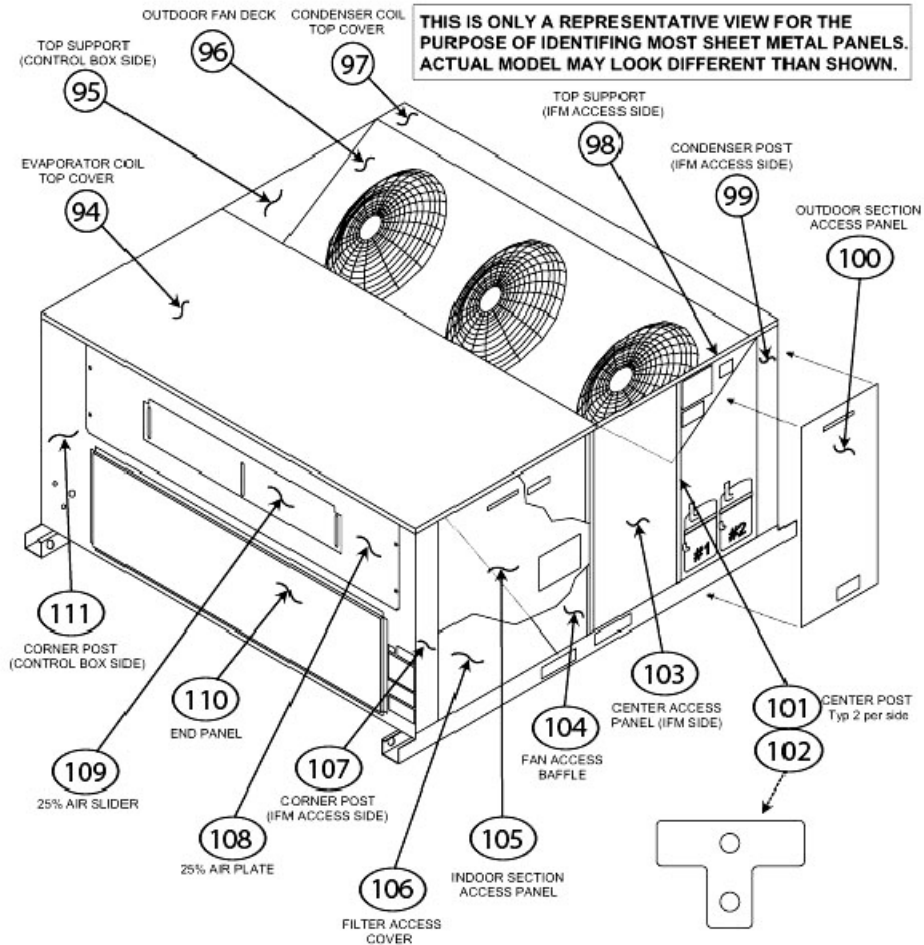
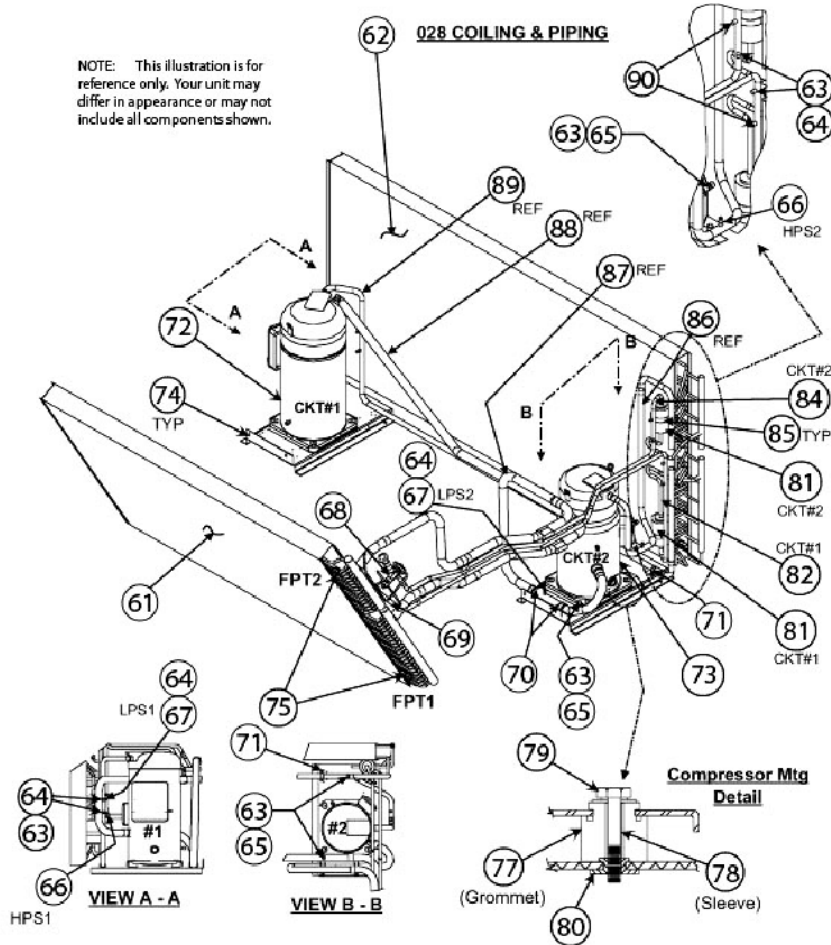
Three Phase Package Gas-Electric Combination Units

Save This Manual For Future Reference

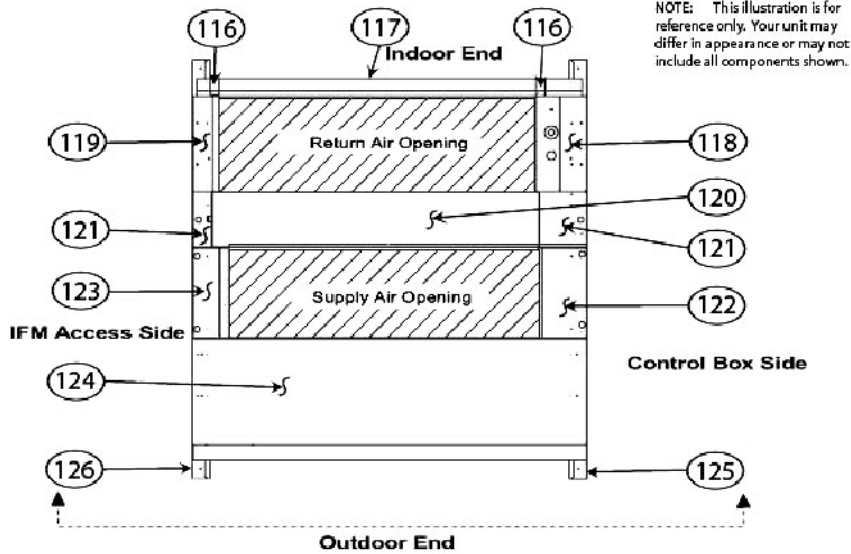
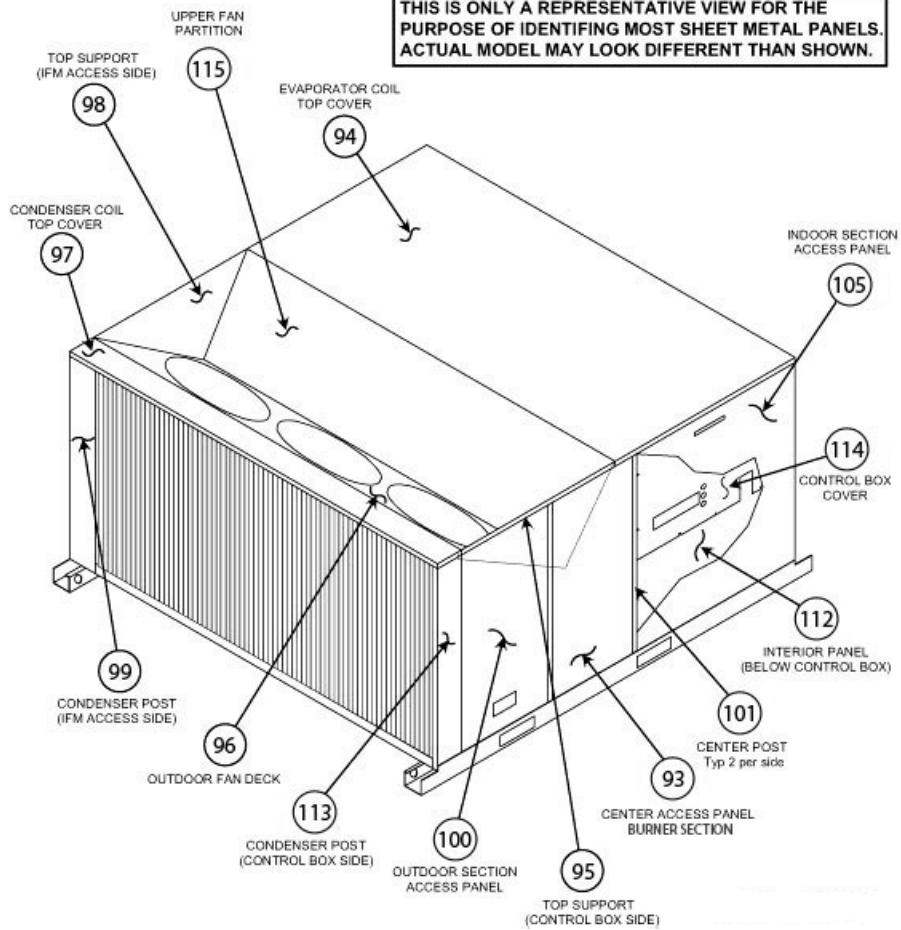
Parts Drawings ----- page 2 to 6
 Parts list ----- page 7 to 16
 Charging data ----- page 17 & 18
 Wiring Diagrams----- page 19 & 20.



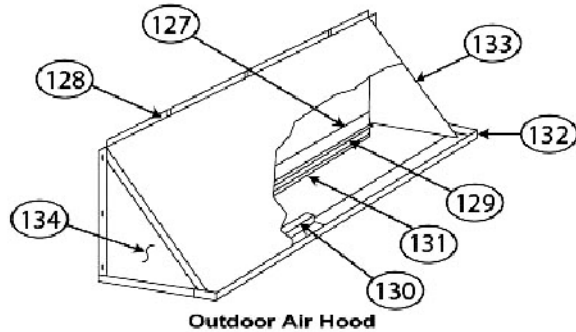
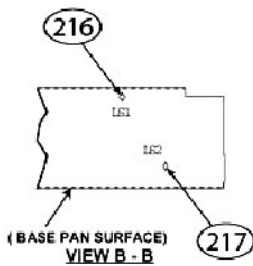
NOTE: This illustration is for reference only. Your unit may differ in appearance or may not include all components shown.

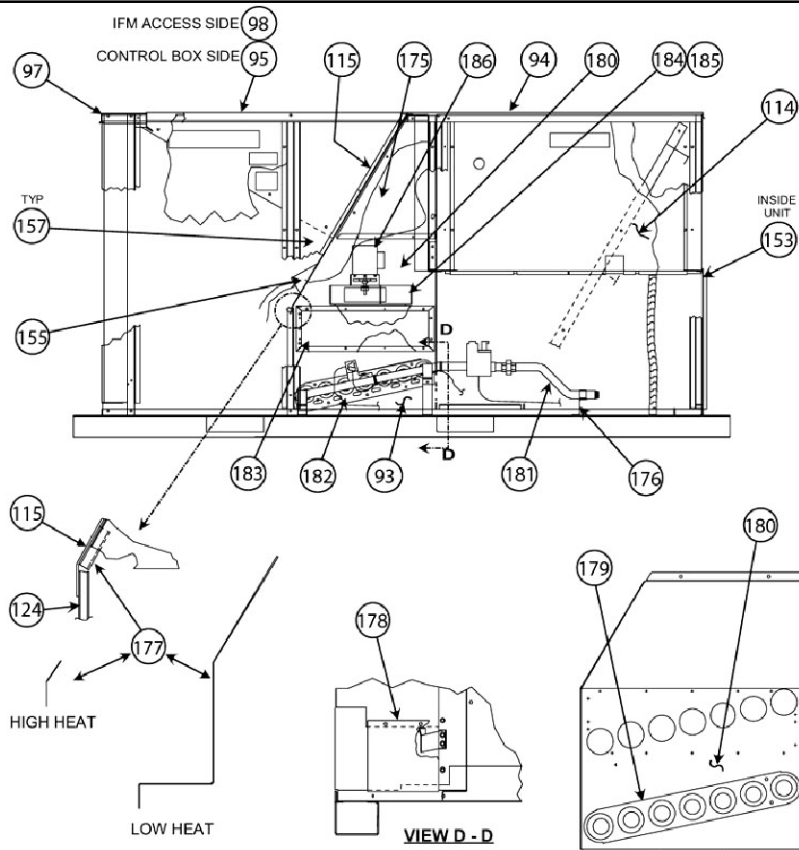


THIS IS ONLY A REPRESENTATIVE VIEW FOR THE PURPOSE OF IDENTIFYING MOST SHEET METAL PANELS. ACTUAL MODEL MAY LOOK DIFFERENT THAN SHOWN.

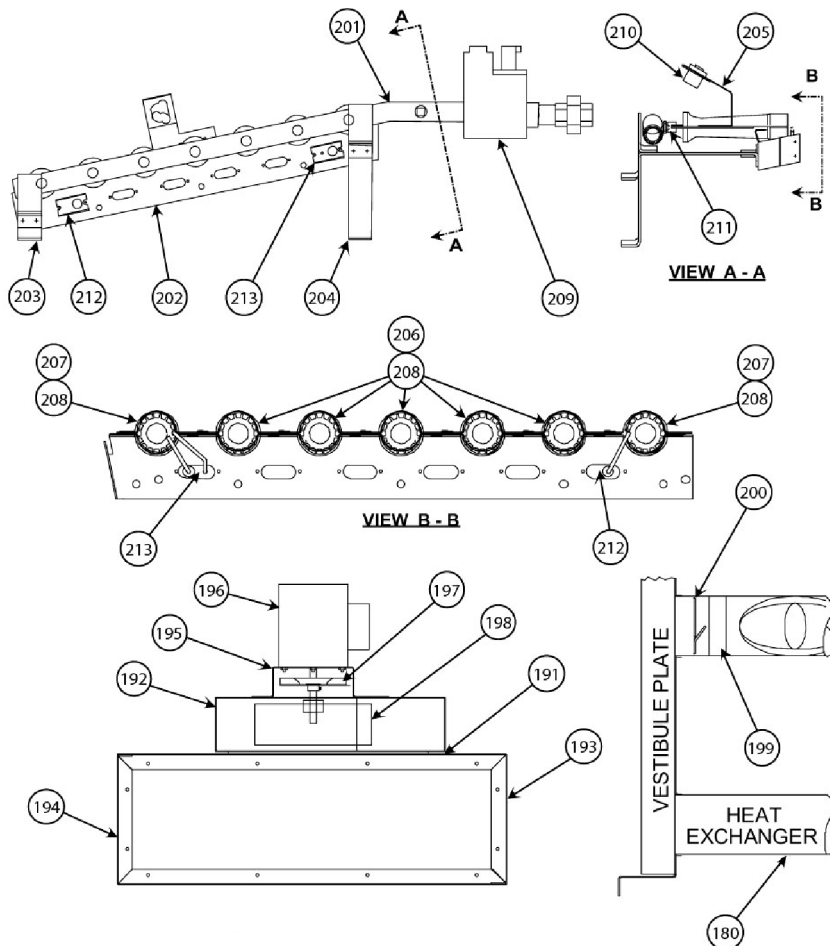


NOTE: This illustration is for reference only. Your unit may differ in appearance or may not include all components shown.

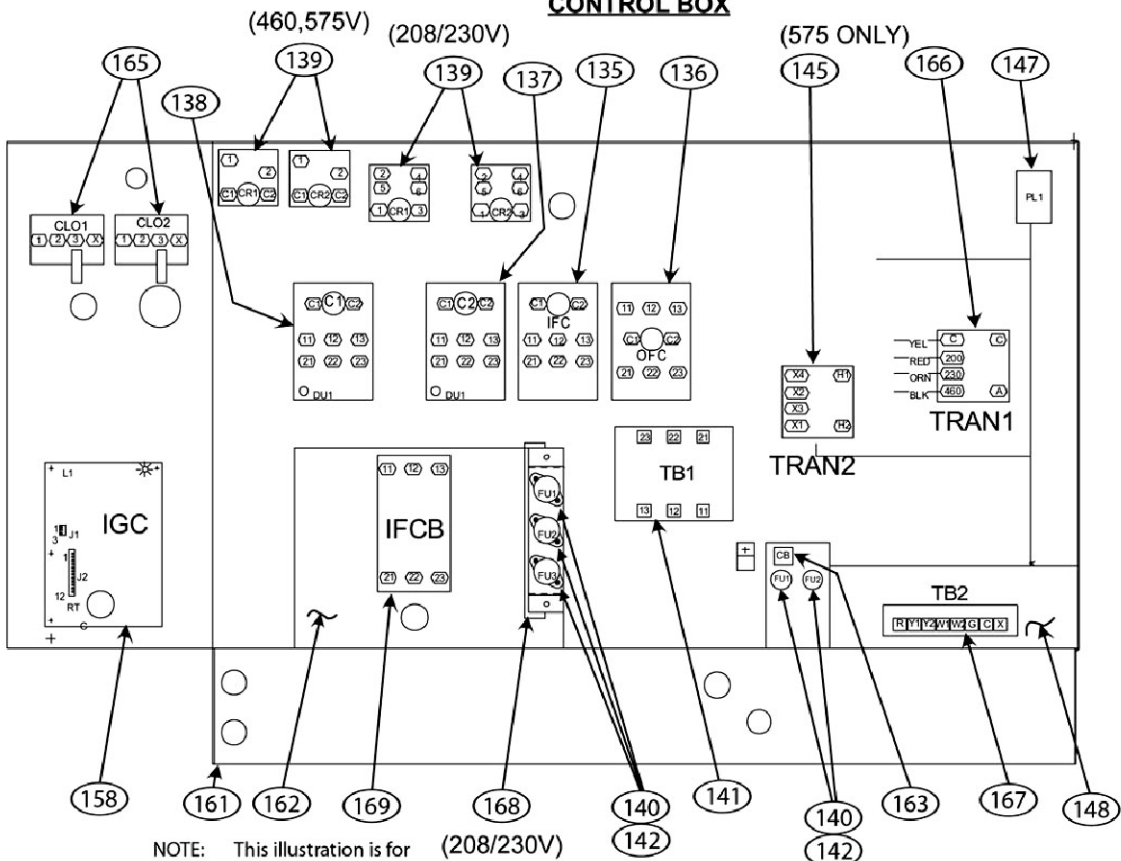




NOTE: This illustration is for reference only. Your unit may differ in appearance or may not include all components shown.



CONTROL BOX



NOTE: This illustration is for reference only. Your unit may differ in appearance or may not include all components shown.

(208/230V)

(208/230V)

(460,575V)

CMX08A.JPG

PGS300H275AA

KEY	DESCRIPTION	Part No.	QTY
001	SUPPORT,COIL	1172131	1
002	SUPPORT,EVAP COIL (OPP MOTOR SIDE)	1171468	1
003	ANGLE,SUPPORT	1171014	1
004	TRACK,FILTER	1171491	1
005	ANGLE,FILTER	1171118	1
006	BRACE,UPPER	1171060	1
007	BLOCKOFF PANEL,UPPER FILTER	1171042	1
008	FILTER	1171229	4
009	FILTER	1171010	4
010	TRACK,FILTER	1171492	3
011	SUPPORT,LOWER	1171464	1
012	BAFFLE,OUTDOOR FAN	1171804	1
013	COVER HEATER	1171290	1
015	GRILLE ASY,OFM	1171272	2
016	MOUNT ASY,OFM	1171061	2
017	PROPELLER,FAN	1171221	2
018	MTR,OUTDR FAN(OFM1/2)	1171869	2
019	CLAMP,OFM MOUNT	1171116	4
024	WHEEL,BLOWER	1171052	2
025	COMPRESSION CONNECTOR,FEMALE	1171138	1
026	DECK,FAN(IFM ACCESS SIDE)	1171215	1
027	BAFFLE,HEAT	1171283	1
028	SHAFT KEY,BLOWER PULLEY	1171321	1
029	PULLEY,STANDARD FAN	1173194	1
030	BELT,STANDARD FAN	1171811	2
031	PULLEY,STD MOTOR	1173193	1
032	UPRIGHT,INDOOR FAN MOTOR	1171226	1
033	BRKT,SHAFT END MTR MOUNTING PLATE	1171076	1
034	MOTOR(STD/ALT)	1173180	1
035	PLATE ASY	1171346	1
036	BOLT,BELT ADJUSTMENT(5/16-18X15)	1171055	2
037	BRKT,OPP SHAFT END MTR MTG PLATE	1171075	1
038	STOP ANGLE,MOTOR MOUNTING PLATE	1171013	1
039	BRACKET,FAN (19" ZEE CHANNEL)	1171212	1
040	CUTOFF,BLOWER	1171044	2
042	DECK,FAN(CNTRL BOX SIDE)	1171310	1
043	RAIL, TOP	1171490	1
044	BRACKET,INDOOR FAN BEARING	1171036	2
045	BRACKET,FAN (1 3/4" HAT CHANNEL)	1171210	2
046	TUBE,LUBRICATION	1171501	1
047	SCROLL,FAN	1171224	2
048	PLATE,FANSIDE (BEARING SIDE)	1171047	2
049	PLATE,FANSIDE (OPP BEARING SIDE)	1171046	2
050	BEARING,INDOOR FAN	1171034	2
051	COMPRESSION CONNECTOR,MALE	1171157	1
052	BRACKET,FAN (7" ZEE CHANNEL)	1171211	1
054	DECK,FAN(CENTER)	1171213	1
055	SHAFT,INDOOR FAN	1171225	1
061	COIL ASSEMBLY,ALUM FIN INDOOR	1173170	1
062	COIL ASSEMBLY,ALUM FIN OUTDOOR	1173191	1

KEY	DESCRIPTION	Part No.	QTY
063	CAP,FLARE	1171101	8
064	CORE,SCHRAEDER VALVE	1171508	6
065	CORE,VALVE	1173177	4
066	SWITCH,HIGH PRESSURE (HPS1)(HPS2)	1172381	2
067	SWITCH,LOW PRESSURE (LPS1)(LPS2)	1171868	2
068	VALVE,TVX	1172595	1
069	VALVE,TVX	1173173	1
070	CLAMP	1172436	2
071	CLAMP	1171115	2
072	COMPRESSOR (COMP1)	1173195	1
073	COMPRESSOR (COMP2)	1172880	1
075	TSTAT,FREEZE PROTECT (FPT1)(FPT2)	1171252	2
081	DRIER,FILTER	1171203	2
085	STRAP,FILTER	1172133	2
090	PLUG,FUSIBLE(LIQUID LINE)	1171403	2
093	ACCESS PANEL,BURNER SECTION	1171086	1
094	TOP COVER,EVAPORATOR	1171360	1
095	SUPPORT, TOP (CONTROL BOX SIDE)	1171465	1
096	FAN DECK,OUTDOOR	1171355	1
097	TOP COVER,CONDENSER COIL	1171489	1
098	SUPPORT, TOP (IFM ACCESS SIDE)	1171847	1
099	POST,CONDENSER (IFM ACCESS SIDE)	1171176	1
100	ACCESS PANEL,OUTDOOR SECTION	1171377	2
101	POST,CENTER (TWO PER SIDE)	1171083	4
102	LATCH ASY	1171019	8
103	ACCESS PANEL,CENTER (IFM SIDE)	1171378	1
104	BAFFLE,FAN ACCESS	1171209	1
105	ACCESS PANEL,INDOOR SECTION	1171379	2
106	COVER,FILTER ACCESS	1171319	1
107	POST,CORNER (IFM ACCESS SIDE)	1171408	1
108	PLATE,25% AIR	1171392	1
109	SLIDER,25% AIR	1171457	1
110	PANEL,END (NO PWR EXH/BARO RELIEF)	1171361	1
111	POST,CORNER (CONTROL BOX SIDE)	1171171	1
112	PANEL,INTERIOR (BELOW CONTROL BOX)	1171017	1
113	POST,CONDENSER (CONTROL BOX SIDE)	1171411	1
114	COVER,CONTROL BOX	1171316	2
115	PARTITION,UPPER FAN (ID/HEAT SECT)	1171217	1
116	ANGLE,BASE RAIL	1171029	2
117	RAIL,BASE	1171030	1
118	PAN,FILTER (CONTROL BOX SIDE)	1171236	1
119	PAN,FILTER (IFM ACCESS SIDE)	1171237	1
120	PAN,CONDENSATE	1171517	1
121	BASE PAN,EVAPORATOR SECTION	1171021	1
122	PAN,HEATER (CONTROL BOX SIDE)	1171292	1
123	PAN,HEATER (IFM ACCESS SIDE)	1171291	1
124	BASE PAN,CONDENSER SECTION	1171022	1
125	RAIL,BASE (CONTROL BOX SIDE)	1171028	1
126	RAIL,BASE (IFM ACCESS SIDE)	1171027	1
127	BAFFLE	1171016	1
128	COVER,HOOD TOP	1171183	1
129	BRACKET,FILTER	1171241	1

PGS300H275AA

KEY	DESCRIPTION	Part No.	QTY	KEY	DESCRIPTION	Part No.	QTY
130	ANGLE,FILTER	1171015	1	208	RING,INSERT	1171439	6
131	BRACKET,FILTER	1171084	1	209	VALVE,GAS	1171262	1
132	PAN,HOOD DRAIN	1171358	1	210	SWITCH,ROLLOUT (RS)	1171484	1
133	HOOD SIDE,RIGHT OUTSIDE AIR	1171380	1	211	SPUD,ORIFICE	1171461	6
134	HOOD SIDE,LEFT OUTSIDE AIR	1171381	1	212	SENSOR (SN)	1171448	1
135	CONTACTOR (IFC)	1173183	1	213	IGNITOR (I)	1171305	1
136	CONTACTOR (OFC)	1171160	1	216	SWITCH,LIMIT (LS1)	1171476	1
137	CONTACTOR (C2)	1171162	1	217	SWITCH,LIMIT (LS2)	1173181	1
138	CONTACTOR (C2)	1171162	1)	COMPRESSOR GASKET	1173168	1
139	ELAY (CR1)(CR2)	1171436	2)	DISTRIBUTOR	1173174	1
140	FUSE (FU1)(FU2)(FU3-208/230 ONLY)	1171253	3)	NOZZLE	1173175	1
141	TERMINAL BLOCK (TB1)	1171485	1)	BODY,VALVE	1173176	4
142	FUSE HOLDER(FU1)(FU2)(FU3-208/230)	1171259	3)	HEATER,CRANKCASE (CH1/2)	1173185	2
153	CHANNEL,DUCT	1171111	1)	BUSHING,SNAP	1173188	3
155	WIRE COVER,OUTDOOR FAN MOTOR	1171273	1)	BUSHING,SNAP	1173189	1
157	PLATE,BLOCKOFF	1171366	2)	CLAMP,TUBE	1173190	1
158	CONTROL_BOARD (IGC)	1171165	1)	SIGHT GLASS	1173192	1
161	CONTROL BOX	1171167	1)	COMPRESSOR OIL	1173198	1
162	BRACKET,CIRCUIT BREAKER	1172140	1)	FLUE BAFFLE,ACCESS PANEL	1171005	1
163	CIRCUIT BREAKER (CB)	1171114	1)	FLUE BAFFLE COVER,ACCESS PANEL	1171006	1
165	RELAY,LOCKOUT (CLO1)(CLO2)	1171437	2)	COUPLING,HALF	1171009	2
166	TRANSFORMER (TRAN1)	1171498	1)	FILTER ANGLE,OUTSIDE AIR HOOD	1171085	1
167	TERMINAL BOARD (TB2)	1173187	1)	BOLT,ID FAN MOTOR JACKING PLATE	1171103	5
168	BRACKET,FUSE	1171256	1)	CAP,WIND	1171104	1
169	CIRCUIT BREAKER (IFCB)	1173182	1)	SCREEN,EXHAUST	1171208	1
175	BAFFLE,HEAT	1171284	1)	TUBE,FEEDER	1171228	40
176	BRACKET,ZEE (GAS VALVE INLET)	1171332	1)	FILTER PACKAGE,OUTSIDE AIR HOOD(REF)	1171235	1
177	RETAINER	1171204	1)	FILTER,ALUMINUM MESH	1171243	1
178	PLATE,BLOCKOFF	1171041	1)	FILTER,ALUMINUM MESH	1171244	2
179	RETAINER,FLAME	1171246	1)	HOOD ASSEMBLY,OUTSIDE AIR(REF)	1171298	1
180	HEATER ASY,TUBULAR (WELDED VEST)	1171286	1)	PLUG(J2,IGC)(12PIN)	1171302	1
181	MANIFOLD	1171329	1)	NOZZLE	1171352	1
183	COVER,FLUE BOX	1171250	1)	PAINT,TOUCHUP	1171357	1
184	EXTENSION,FLUE	1171251	1)	JACKING PLATE,INDOOR FAN MOTOR	1171400	1
186	MOTOR ASY,INDUCED DRAFT	1171793	1)	PLUG(ECON PL1)(12PIN)	1171401	1
191	INSULATION,INDUCER	1171313	1)	PLUG ASY (NO ECONOMIZER)	1171404	1
192	HOUSING INDUCER	1171299	1)	CONNECTOR,RECEPTACLE (PL1)	1171430	1
193	BOX,FLUE (TOP/RIGHT)	1171248	1)	SPACER,FILTER	1171458	1
194	BOX,FLUE (BOTTOM/LEFT)	1171249	1)	VALVE BODY,SCHRAEDER	1171507	8
195	CHANNEL,MOTOR	1171344	1)	WIND CAP ASY (ON ACCESS PANEL)	1171519	1
196	MOTOR	1171333	1)	WIRE GUARD,INDOOR FAN MOTOR	1171799	1
197	PROPELLER,FAN	1171222	1)	CONNECTOR	1171822	1
198	WHEEL,BLOWER	1171051	1)	BUSHING,SNAP	1171824	1
199	BAFFLE,GAS	1171018	6)	BUSHING,SNAP	1171828	3
200	CLIP,RETAINING	1171117	6)	BUSHING,SNAP	1171829	2
201	MANIFOLD ASY	1171330	1)	CLAMP	1171844	1
202	SUPPORT,BURNER	1171092	1)	DISTRIBUTOR	1171851	1
203	BRACKET,BURNER (LEFT/SHORT)	1171091	1)	RETAINER,OUTER FANSIDE PLATE	1172134	2
204	BRACKET,BURNER (RIGHT/TALL)	1171093	1)	CONDUIT	1172138	1
205	BRACKET,ROLLOUT SWITCH	1171074	1				
206	BURNER,GAS (INNER)	1171096	4				
207	BURNER,GAS (OUTER)(W/ DIMPLE)	1171088	2				

PGS300L275AA

KEY	DESCRIPTION	Part No	QTY	KEY	DESCRIPTION	Part No	QTY
001	SUPPORT,COIL	1172131	1	063	CAP,FLARE	1171101	8
002	SUPPORT,EVAP COIL (OPP MOTOR SIDE)	1171468	1	064	CORE,SCHRAEDER VALVE	1171508	6
003	ANGLE,SUPPORT	1171014	1	065	CORE,VALVE	1173177	4
004	TRACK,FILTER	1171491	1	066	SWITCH,HIGH PRESSURE (HPS1)(HPS2)	1172381	2
005	ANGLE,FILTER	1171118	1	067	SWITCH,LOW PRESSURE (LPS1)(LPS2)	1171868	2
006	BRACE,UPPER	1171060	1	068	VALVE,TVX	1172595	1
007	BLOCKOFF PANEL,UPPER FILTER	1171042	1	069	VALVE,TVX	1173173	1
008	FILTER	1171229	4	070	CLAMP	1172436	2
009	FILTER	1171010	4	071	CLAMP	1171115	2
010	TRACK,FILTER	1171492	3	072	COMPRESSOR (COMP1)	1173196	1
011	SUPPORT,LOWER	1171464	1	073	COMPRESSOR (COMP2)	1172879	1
012	BAFFLE,OUTDOOR FAN	1171804	1	075	TSTAT,FREEZE PROTECT (FPT1)(FPT2)	1171252	2
013	COVER HEATER	1171290	1	081	DRIER,FILTER	1171203	2
015	GRILLE ASY,OFM	1171272	2	085	STRAP,FILTER	1172133	2
016	MOUNT ASY,OFM	1171061	2	090	PLUG,FUSIBLE(LIQUID LINE)	1171403	2
017	PROPELLER,FAN	1171221	2	093	ACCESS PANEL,BURNER SECTION	1171086	1
018	MTR,OUTDR FAN(OFM1/2)	1171869	2	094	TOP COVER,EVAPORATOR	1171360	1
019	CLAMP,OFM MOUNT	1171116	4	095	SUPPORT, TOP (CONTROL BOX SIDE)	1171465	1
024	WHEEL,BLOWER	1171052	2	096	FAN DECK,OUTDOOR	1171355	1
025	COMPRESSION CONNECTOR,FEMALE	1171138	1	097	TOP COVER,CONDENSER COIL	1171489	1
026	DECK,FAN(IFM ACCESS SIDE)	1171215	1	098	SUPPORT, TOP (IFM ACCESS SIDE)	1171847	1
027	BAFFLE,HEAT	1171283	1	099	POST,CONDENSER (IFM ACCESS SIDE)	1171176	1
028	SHAFT KEY,BLOWER PULLEY	1171321	1	100	ACCESS PANEL,OUTDOOR SECTION	1171377	2
029	PULLEY,STANDARD FAN	1173194	1	101	POST,CENTER (TWO PER SIDE)	1171083	4
030	BELT,STANDARD FAN	1171811	2	102	LATCH ASY	1171019	8
031	PULLEY,STD MOTOR	1173193	1	103	ACCESS PANEL,CENTER (IFM SIDE)	1171378	1
032	UPRIGHT,INDOOR FAN MOTOR	1171226	1	104	BAFFLE,FAN ACCESS	1171209	1
033	BRKT,SHAFT END MTR MOUNTING PLATE	1171076	1	105	ACCESS PANEL,INDOOR SECTION	1171379	2
034	MOTOR(STD/ALT)	1173180	1	106	COVER,FILTER ACCESS	1171319	1
035	PLATE ASY	1171346	1	107	POST,CORNER (IFM ACCESS SIDE)	1171408	1
036	BOLT,BELT ADJUSTMENT(5/16-18X15")	1171055	2	108	PLATE,25% AIR	1171392	1
037	BRKT,OPP SHAFT END MTR MTG PLATE	1171075	1	109	SLIDER,25% AIR	1171457	1
038	STOP ANGLE,MOTOR MOUNTING PLATE	1171013	1	110	PANEL,END (NO PWR EXH/BARO RELIEF)	1171361	1
039	BRACKET,FAN (19" ZEE CHANNEL)	1171212	1	111	POST,CORNER (CONTROL BOX SIDE)	1171171	1
040	CUTOFF,BLOWER	1171044	2	112	PANEL,INTERIOR (BELOW CONTROL BOX)	1171017	1
042	DECK,FAN(CNTRL BOX SIDE)	1171310	1	113	POST,CONDENSER (CONTROL BOX SIDE)	1171411	1
043	RAIL, TOP	1171490	1	114	COVER,CONTROL BOX	1171882	2
044	BRACKET,INDOOR FAN BEARING	1171036	2	115	PARTITION,UPPER FAN (ID/HEAT SECT)	1171217	1
045	BRACKET,FAN (1 3/4" HAT CHANNEL)	1171210	2	116	ANGLE,BASE RAIL	1171029	2
046	TUBE,LUBRICATION	1171501	1	117	RAIL,BASE	1171030	1
047	SCROLL,FAN	1171224	2	118	PAN,FILTER (CONTROL BOX SIDE)	1171236	1
048	PLATE,FANSIDE (BEARING SIDE)	1171047	2	119	PAN,FILTER (IFM ACCESS SIDE)	1171237	1
049	PLATE,FANSIDE (OPP BEARING SIDE)	1171046	2	120	PAN,CONDENSATE	1171517	1
050	BEARING,INDOOR FAN	1171034	2	121	BASE PAN,EVAPORATOR SECTION	1171021	1
051	COMPRESSION CONNECTOR,MALE	1171157	1	122	PAN,HEATER (CONTROL BOX SIDE)	1171292	1
052	BRACKET,FAN (7" ZEE CHANNEL)	1171211	1	123	PAN,HEATER (IFM ACCESS SIDE)	1171291	1
054	DECK,FAN(CENTER)	1171213	1	124	BASE PAN,CONDENSER SECTION	1171022	1
055	SHAFT,INDOOR FAN	1171225	1	125	RAIL,BASE (CONTROL BOX SIDE)	1171028	1
061	COIL ASSEMBLY,ALUM FIN INDOOR	1173170	1	126	RAIL,BASE (IFM ACCESS SIDE)	1171027	1
062	COIL ASSEMBLY,ALUM FIN OUTDOOR	1173191	1	127	BAFFLE	1171016	1
				128	COVER,HOOD TOP	1171183	1
				129	BRACKET,FILTER	1171241	1

PGS300L275AA

KEY	DESCRIPTION	Part No	QTY
130	ANGLE, FILTER	1171015	1
131	BRACKET, FILTER	1171084	1
132	PAN, HOOD DRAIN	1171358	1
133	HOOD SIDE, RIGHT OUTSIDE AIR	1171380	1
134	HOOD SIDE, LEFT OUTSIDE AIR	1171381	1
135	CONTACTOR (IFC)	1171164	1
136	CONTACTOR (OFC)	1172449	1
137	CONTACTOR (IFC)	1171164	1
138	CONTACTOR (IFC)	1171164	1
139	RELAY (CR1)(CR2)	1171813	2
140	FUSE (FU1)(FU2)(FU3-208/230 ONLY)	1171098	2
141	TERMINAL BLOCK (TB1)	1171485	1
141	TERMINAL BLOCK (TB1)	1171486	1
142	FUSE HOLDER(FU1)(FU2)(FU3-208/230)	1171258	2
153	CHANNEL, DUCT	1171111	1
155	WIRE COVER, OUTDOOR FAN MOTOR	1171273	1
157	PLATE, BLOCKOFF	1171366	2
158	CONTROL, BOARD (IGC)	1171165	1
161	CONTROL BOX	1171167	1
162	BRACKET, CIRCUIT BREAKER	1172140	1
163	CIRCUIT BREAKER (CB)	1171114	1
165	RELAY, LOCKOUT (CLO1)(CLO2)	1171437	2
166	TRANSFORMER (TRAN1)	1171498	1
167	TERMINAL BOARD (TB2)	1173187	1
169	CIRCUIT BREAKER (IFCB)	1171816	1
175	BAFFLE, HEAT	1171284	1
176	BRACKET, ZEE (GAS VALVE INLET)	1171332	1
177	RETAINER	1171204	1
178	PLATE, BLOCKOFF	1171041	1
179	RETAINER, FLAME	1171246	1
180	HEATER ASY, TUBULAR (WELDED VEST)	1171286	1
181	MANIFOLD	1171329	1
183	COVER, FLUE BOX	1171250	1
184	EXTENSION, FLUE	1171251	1
186	MOTOR ASY, INDUCED DRAFT	1171792	1
191	INSULATION, INDUCER	1171313	1
192	HOUSING INDUCER	1171299	1
193	BOX, FLUE (TOP/RIGHT)	1171248	1
194	BOX, FLUE (BOTTOM/LEFT)	1171249	1
195	CHANNEL, MOTOR	1171344	1
196	MOTOR	1171339	1
197	PROPELLER, FAN	1171222	1
198	WHEEL, BLOWER	1171051	1
199	BAFFLE, GAS	1171018	6
200	CLIP, RETAINING	1171117	6
201	MANIFOLD ASY	1171330	1
202	SUPPORT, BURNER	1171092	1
203	BRACKET, BURNER (LEFT/SHORT)	1171091	1
204	BRACKET, BURNER (RIGHT/TALL)	1171093	1
205	BRACKET, ROLLOUT SWITCH	1171074	1
206	BURNER, GAS (INNER)	1171096	4
207	BURNER, GAS (OUTER)(W/ DIMPLE)	1171088	2

KEY	DESCRIPTION	Part No	QTY
208	RING, INSERT	1171439	6
209	VALVE, GAS	1171262	1
210	SWITCH, ROLLOUT (RS)	1171484	1
211	SPUD, ORIFICE	1171461	6
212	SENSOR (SN)	1171448	1
213	IGNITOR (I)	1171305	1
216	SWITCH, LIMIT (LS1)	1171476	1
217	SWITCH, LIMIT (LS2)	1173181	1
)	COMPRESSOR GASKET	1173168	1
)	DISTRIBUTOR	1173174	1
)	NOZZLE	1173175	1
)	BODY, VALVE	1173176	4
)	HEATER, CRANKCASE (CH1/2)	1173186	2
)	BUSHING, SNAP	1173189	1
)	CLAMP, TUBE	1173190	1
)	SIGHT GLASS	1173192	1
)	COMPRESSOR OIL	1173198	1
)	FLUE BAFFLE, ACCESS PANEL	1171005	1
)	FLUE BAFFLE COVER, ACCESS PANEL	1171006	1
)	COUPLING, HALF	1171009	2
)	FILTER ANGLE, OUTSIDE AIR HOOD	1171085	1
)	BOLT, ID FAN MOTOR JACKING PLATE	1171103	5
)	CAP, WIND	1171104	1
)	SCREEN, EXHAUST	1171208	1
)	TUBE, FEEDER	1171228	40
)	FILTER PACKAGE, OUTSIDE AIR HOOD(REF)	1171235	1
)	FILTER, ALUMINUM MESH	1171243	1
)	FILTER, ALUMINUM MESH	1171244	2
)	HOOD ASSEMBLY, OUTSIDE AIR(REF)	1171298	1
)	PLUG(J2, IGC)(12PIN)	1171302	1
)	NOZZLE	1171352	1
)	PAINT, TOUCHUP	1171357	1
)	JACKING PLATE, INDOOR FAN MOTOR	1171400	1
)	PLUG(ECON PL1)(12PIN)	1171401	1
)	PLUG ASY (NO ECONOMIZER)	1171404	1
)	CONNECTOR, RECEPTACLE (PL1)	1171430	1
)	SPACER, FILTER	1171458	1
)	VALVE BODY, SCHRAEDER	1171507	8
)	WIND CAP ASY (ON ACCESS PANEL)	1171519	1
)	WIRE GUARD, INDOOR FAN MOTOR	1171799	1
)	CONNECTOR	1171822	1
)	BUSHING, SNAP	1171824	1
)	BUSHING, SNAP	1171828	3
)	BUSHING, SNAP	1171829	2
)	CLAMP	1171844	1
)	DISTRIBUTOR	1171851	1
)	RETAINER, OUTER FANSIDE PLATE	1172134	2
)	CONDUIT	1172138	1

PGS300H360AA

KEY	DESCRIPTION	Part No	QTY	KEY	DESCRIPTION	Part No	QTY
001	SUPPORT,COIL	1172131	1	063	CAP,FLARE	1171101	8
002	SUPPORT,EVAP COIL (OPP MOTOR SIDE)	1171468	1	064	CORE,SCHRAEDER VALVE	1171508	6
003	ANGLE,SUPPORT	1171014	1	065	CORE,VALVE	1173177	4
004	TRACK,FILTER	1171491	1	066	SWITCH,HIGH PRESSURE (HPS1)(HPS2)	1172381	2
005	ANGLE,FILTER	1171118	1	067	SWITCH,LOW PRESSURE (LPS1)(LPS2)	1171868	2
006	BRACE,UPPER	1171060	1	068	VALVE,TVV	1172595	1
007	BLOCKOFF PANEL,UPPER FILTER	1171042	1	069	VALVE,TVV	1173173	1
008	FILTER	1171229	4	070	CLAMP	1172436	2
009	FILTER	1171010	4	071	CLAMP	1171115	2
010	TRACK,FILTER	1171492	3	072	COMPRESSOR (COMP1)	1173195	1
011	SUPPORT,LOWER	1171464	1	073	COMPRESSOR (COMP2)	1172880	1
012	BAFFLE,OUTDOOR FAN	1171804	1	075	TSTAT,FREEZE PROTECT (FPT1)(FPT2)	1171252	2
013	COVER HEATER	1171290	1	081	DRIER,FILTER	1171203	2
015	GRILLE ASY,OFM	1171272	2	085	STRAP,FILTER	1172133	2
016	MOUNT ASY,OFM	1171061	2	090	PLUG,FUSIBLE(LIQUID LINE)	1171403	2
017	PROPELLER,FAN	1171221	2	093	ACCESS PANEL,BURNER SECTION	1171086	1
018	MTR,OUTDR FAN(OFM1/2)	1171869	2	094	TOP COVER,EVAPORATOR	1171360	1
019	CLAMP,OFM MOUNT	1171116	4	095	SUPPORT, TOP (CONTROL BOX SIDE)	1171465	1
024	WHEEL,BLOWER	1171052	2	096	FAN DECK,OUTDOOR	1171355	1
025	COMPRESSION CONNECTOR,FEMALE	1171138	1	097	TOP COVER,CONDENSER COIL	1171489	1
026	DECK,FAN(IFM ACCESS SIDE)	1171215	1	098	SUPPORT, TOP (IFM ACCESS SIDE)	1171847	1
027	BAFFLE,HEAT	1171283	1	099	POST,CONDENSER (IFM ACCESS SIDE)	1171176	1
028	SHAFT KEY,BLOWER PULLEY	1171321	1	100	ACCESS PANEL,OUTDOOR SECTION	1171377	2
029	PULLEY,STANDARD FAN	1173194	1	101	POST,CENTER (TWO PER SIDE)	1171083	4
030	BELT,STANDARD FAN	1171811	2	102	LATCH ASY	1171019	8
031	PULLEY,STD MOTOR	1173193	1	103	ACCESS PANEL,CENTER (IFM SIDE)	1171378	1
032	UPRIGHT,INDOOR FAN MOTOR	1171226	1	104	BAFFLE,FAN ACCESS	1171209	1
033	BRKT,SHAFT END MTR MOUNTING PLATE	1171076	1	105	ACCESS PANEL,INDOOR SECTION	1171379	2
034	MOTOR(STD/ALT)	1173180	1	106	COVER,FILTER ACCESS	1171319	1
035	PLATE ASY	1171346	1	107	POST,CORNER (IFM ACCESS SIDE)	1171408	1
036	BOLT,BELT ADJUSTMENT(5/16-18X15")	1171055	2	108	PLATE,25% AIR	1171392	1
037	BRKT,OPP SHAFT END MTR MTG PLATE	1171075	1	109	SLIDER,25% AIR	1171457	1
038	STOP ANGLE,MOTOR MOUNTING PLATE	1171013	1	110	PANEL,END (NO PWR EXH/BARO RELIEF)	1171361	1
039	BRACKET,FAN (19" ZEE CHANNEL)	1171212	1	111	POST,CORNER (CONTROL BOX SIDE)	1171171	1
040	CUTOFF,BLOWER	1171044	2	112	PANEL,INTERIOR (BELOW CONTROL BOX)	1171017	1
042	DECK,FAN(CNTRL BOX SIDE)	1171310	1	113	POST,CONDENSER (CONTROL BOX SIDE)	1171411	1
043	RAIL, TOP	1171490	1	114	COVER,CONTROL BOX	1171316	2
044	BRACKET,INDOOR FAN BEARING	1171036	2	115	PARTITION,UPPER FAN (ID/HEAT SECT)	1171217	1
045	BRACKET,FAN (1 3/4" HAT CHANNEL)	1171210	2	116	ANGLE,BASE RAIL	1171029	2
046	TUBE,LUBRICATION	1171501	1	117	RAIL,BASE	1171030	1
047	SCROLL,FAN	1171224	2	118	PAN,FILTER (CONTROL BOX SIDE)	1171236	1
048	PLATE,FANSIDE (BEARING SIDE)	1171047	2	119	PAN,FILTER (IFM ACCESS SIDE)	1171237	1
049	PLATE,FANSIDE (OPP BEARING SIDE)	1171046	2	120	PAN,CONDENSATE	1171517	1
050	BEARING,INDOOR FAN	1171034	2	121	BASE PAN,EVAPORATOR SECTION	1171021	1
051	COMPRESSION CONNECTOR,MALE	1171157	1	122	PAN,HEATER (CONTROL BOX SIDE)	1171292	1
052	BRACKET,FAN (7" ZEE CHANNEL)	1171211	1	123	PAN,HEATER (IFM ACCESS SIDE)	1171291	1
054	DECK,FAN(CENTER)	1171213	1	124	BASE PAN,CONDENSER SECTION	1171022	1
055	SHAFT,INDOOR FAN	1171225	1	125	RAIL,BASE (CONTROL BOX SIDE)	1171028	1
061	COIL ASSEMBLY,ALUM FIN INDOOR	1173170	1	126	RAIL,BASE (IFM ACCESS SIDE)	1171027	1
062	COIL ASSEMBLY,ALUM FIN OUTDOOR	1173191	1	127	BAFFLE	1171016	1
				128	COVER,HOOD TOP	1171183	1
				129	BRACKET,FILTER	1171241	1

PGS300H360AA

KEY	DESCRIPTION	Part No	QTY	KEY	DESCRIPTION	Part No	QTY
130	ANGLE, FILTER	1171015	1	208	RING, INSERT	1171439	7
131	BRACKET, FILTER	1171084	1	209	VALVE, GAS	1171262	1
132	PAN, HOOD DRAIN	1171358	1	210	SWITCH, ROLLOUT (RS)	1171484	1
133	HOOD SIDE, RIGHT OUTSIDE AIR	1171380	1	211	SPUD, ORIFICE	1171460	7
134	HOOD SIDE, LEFT OUTSIDE AIR	1171381	1	212	SENSOR (SN)	1171448	1
135	CONTACTOR (IFC)	1173183	1	213	IGNITOR (I)	1171305	1
136	CONTACTOR (OFC)	1171160	1	216	SWITCH, LIMIT (LS1)	1171476	1
137	CONTACTOR (C2)	1171162	1	217	SWITCH, LIMIT (LS2)	1171475	1
138	CONTACTOR (C2)	1171162	1)	COMPRESSOR GASKET	1173168	1
139	RELAY (CR1)(CR2)	1171436	2)	DISTRIBUTOR	1173174	1
140	FUSE (FU1)(FU2)(FU3-208/230 ONLY)	1171253	3)	NOZZLE	1173175	1
141	TERMINAL BLOCK (TB1)	1171485	1)	BODY, VALVE	1173176	4
142	FUSE HOLDER(FU1)(FU2)(FU3-208/230)	1171259	3)	HEATER, CRANKCASE (CH1/2)	1173185	2
153	CHANNEL, DUCT	1171111	1)	BUSHING, SNAP	1173188	3
155	WIRE COVER, OUTDOOR FAN MOTOR	1171273	1)	BUSHING, SNAP	1173189	1
157	PLATE, BLOCKOFF	1171366	2)	CLAMP, TUBE	1173190	1
158	CONTROL, BOARD (IGC)	1171165	1)	SIGHT GLASS	1173192	1
161	CONTROL BOX	1171167	1)	COMPRESSOR OIL	1173198	1
162	BRACKET, CIRCUIT BREAKER	1172140	1)	FLUE BAFFLE, ACCESS PANEL	1171005	1
163	CIRCUIT BREAKER (CB)	1171114	1)	FLUE BAFFLE COVER, ACCESS PANEL	1171006	1
165	RELAY, LOCKOUT (CLO1)(CLO2)	1171437	2)	COUPLING, HALF	1171009	2
166	TRANSFORMER (TRAN1)	1171498	1)	FILTER ANGLE, OUTSIDE AIR HOOD	1171085	1
167	TERMINAL BOARD (TB2)	1173187	1)	BOLT, ID FAN MOTOR JACKING PLATE	1171103	5
168	BRACKET, FUSE	1171256	1)	CAP, WIND	1171104	1
169	CIRCUIT BREAKER (IFCB)	1173182	1)	SCREEN, EXHAUST	1171208	1
175	BAFFLE, HEAT	1171284	1)	TUBE, FEEDER	1171228	40
176	BRACKET, ZEE (GAS VALVE INLET)	1171332	1)	FILTER PACKAGE, OUTSIDE AIR HOOD(REF)	1171235	1
177	RETAINER	1171204	1)	FILTER, ALUMINUM MESH	1171243	1
178	PLATE, BLOCKOFF	1171041	1)	FILTER, ALUMINUM MESH	1171244	2
179	RETAINER, FLAME	1171438	1)	HOOD ASSEMBLY, OUTSIDE AIR(REF)	1171298	1
180	HEATER ASY, TUBULAR (WELDED VEST)	1171285	1)	PLUG(J2, IGC)(12PIN)	1171302	1
181	MANIFOLD	1171329	1)	NOZZLE	1171352	1
182	BURNER ASSEMBLY	1171800	1)	PAINT, TOUCHUP	1171357	1
183	COVER, FLUE BOX	1171250	1)	JACKING PLATE, INDOOR FAN MOTOR	1171400	1
184	EXTENSION, FLUE	1171251	1)	PLUG(ECON PL1)(12PIN)	1171401	1
186	MOTOR ASY, INDUCED DRAFT	1171793	1)	PLUG ASY (NO ECONOMIZER)	1171404	1
191	INSULATION, INDUCER	1171313	1)	CONNECTOR, RECEPTACLE (PL1)	1171430	1
192	HOUSING INDUCER	1171299	1)	SPACER, FILTER	1171458	1
193	BOX, FLUE (TOP/RIGHT)	1171248	1)	VALVE BODY, SCHRAEDER	1171507	8
194	BOX, FLUE (BOTTOM/LEFT)	1171249	1)	WIND CAP ASY (ON ACCESS PANEL)	1171519	1
195	CHANNEL, MOTOR	1171344	1)	WIRE GUARD, INDOOR FAN MOTOR	1171799	1
196	MOTOR	1171333	1)	CONNECTOR	1171822	1
197	PROPELLER, FAN	1171222	1)	BUSHING, SNAP	1171824	1
198	WHEEL, BLOWER	1171051	1)	BUSHING, SNAP	1171828	3
199	BAFFLE, GAS	1171018	7)	BUSHING, SNAP	1171829	2
200	CLIP, RETAINING	1171117	7)	CLAMP	1171844	1
201	MANIFOLD ASY	1171331	1)	DISTRIBUTOR	1171851	1
202	SUPPORT, BURNER	1171092	1)	RETAINER, OUTER FANSIDE PLATE	1172134	2
203	BRACKET, BURNER (LEFT/SHORT)	1171091	1)	CONDUIT	1172138	1
204	BRACKET, BURNER (RIGHT/TALL)	1171093	1				
205	BRACKET, ROLLOUT SWITCH	1171074	1				
206	BURNER, GAS (INNER)	1171096	5				
207	BURNER, GAS (OUTER)(W/ DIMPLE)	1171088	2				

PGS300L360AA

KEY	DESCRIPTION	Part No	QTY	KEY	DESCRIPTION	Part No	QTY
001	SUPPORT,COIL	1172131	1	063	CAP,FLARE	1171101	8
002	SUPPORT,EVAP COIL (OPP MOTOR SIDE)	1171468	1	064	CORE,SCHRAEDER VALVE	1171508	6
003	ANGLE,SUPPORT	1171014	1	065	CORE,VALVE	1173177	4
004	TRACK,FILTER	1171491	1	066	SWITCH,HIGH PRESSURE (HPS1)(HPS2)	1172381	2
005	ANGLE,FILTER	1171118	1	067	SWITCH,LOW PRESSURE (LPS1)(LPS2)	1171868	2
006	BRACE,UPPER	1171060	1	068	VALVE,TVX	1172595	1
007	BLOCKOFF PANEL,UPPER FILTER	1171042	1	069	VALVE,TVX	1173173	1
008	FILTER	1171229	4	070	CLAMP	1172436	2
009	FILTER	1171010	4	071	CLAMP	1171115	2
010	TRACK,FILTER	1171492	3	072	COMPRESSOR (COMP1)	1173196	1
011	SUPPORT,LOWER	1171464	1	073	COMPRESSOR (COMP2)	1172879	1
012	BAFFLE,OUTDOOR FAN	1171804	1	075	TSTAT,FREEZE PROTECT (FPT1)(FPT2)	1171252	2
013	COVER HEATER	1171290	1	081	DRIER,FILTER	1171203	2
015	GRILLE ASY,OFM	1171272	2	085	STRAP,FILTER	1172133	2
016	MOUNT ASY,OFM	1171061	2	090	PLUG,FUSIBLE(LIQUID LINE)	1171403	2
017	PROPELLER,FAN	1171221	2	093	ACCESS PANEL,BURNER SECTION	1171086	1
018	MTR,OUTDR FAN(OFM1/2)	1171869	2	094	TOP COVER,EVAPORATOR	1171360	1
019	CLAMP,OFM MOUNT	1171116	4	095	SUPPORT, TOP (CONTROL BOX SIDE)	1171465	1
024	WHEEL,BLOWER	1171052	2	096	FAN DECK,OUTDOOR	1171355	1
025	COMPRESSION CONNECTOR,FEMALE	1171138	1	097	TOP COVER,CONDENSER COIL	1171489	1
026	DECK,FAN(IFM ACCESS SIDE)	1171215	1	098	SUPPORT, TOP (IFM ACCESS SIDE)	1171847	1
027	BAFFLE,HEAT	1171283	1	099	POST,CONDENSER (IFM ACCESS SIDE)	1171176	1
028	SHAFT KEY,BLOWER PULLEY	1171321	1	100	ACCESS PANEL,OUTDOOR SECTION	1171377	2
029	PULLEY,STANDARD FAN	1173194	1	101	POST,CENTER (TWO PER SIDE)	1171083	4
030	BELT,STANDARD FAN	1171811	2	102	LATCH ASY	1171019	8
031	PULLEY,STD MOTOR	1173193	1	103	ACCESS PANEL,CENTER (IFM SIDE)	1171378	1
032	UPRIGHT,INDOOR FAN MOTOR	1171226	1	104	BAFFLE,FAN ACCESS	1171209	1
033	BRKT,SHAFT END MTR MOUNTING PLATE	1171076	1	105	ACCESS PANEL,INDOOR SECTION	1171379	2
034	MOTOR(STD/ALT)	1173180	1	106	COVER,FILTER ACCESS	1171319	1
035	PLATE ASY	1171346	1	107	POST,CORNER (IFM ACCESS SIDE)	1171408	1
036	BOLT,BELT ADJUSTMENT(5/16-18X15")	1171055	2	108	PLATE,25% AIR	1171392	1
037	BRKT,OPP SHAFT END MTR MTG PLATE	1171075	1	109	SLIDER,25% AIR	1171457	1
038	STOP ANGLE,MOTOR MOUNTING PLATE	1171013	1	110	PANEL,END (NO PWR EXH/BARO RELIEF)	1171361	1
039	BRACKET,FAN (19" ZEE CHANNEL)	1171212	1	111	POST,CORNER (CONTROL BOX SIDE)	1171171	1
040	CUTOFF,BLOWER	1171044	2	112	PANEL,INTERIOR (BELOW CONTROL BOX)	1171017	1
042	DECK,FAN(CNTRL BOX SIDE)	1171310	1	113	POST,CONDENSER (CONTROL BOX SIDE)	1171411	1
043	RAIL, TOP	1171490	1	114	COVER,CONTROL BOX	1171882	2
044	BRACKET,INDOOR FAN BEARING	1171036	2	115	PARTITION,UPPER FAN (ID/HEAT SECT)	1171217	1
045	BRACKET,FAN (1 3/4" HAT CHANNEL)	1171210	2	116	ANGLE,BASE RAIL	1171029	2
046	TUBE,LUBRICATION	1171501	1	117	RAIL,BASE	1171030	1
047	SCROLL,FAN	1171224	2	118	PAN,FILTER (CONTROL BOX SIDE)	1171236	1
048	PLATE,FANSIDE (BEARING SIDE)	1171047	2	119	PAN,FILTER (IFM ACCESS SIDE)	1171237	1
049	PLATE,FANSIDE (OPP BEARING SIDE)	1171046	2	120	PAN,CONDENSATE	1171517	1
050	BEARING,INDOOR FAN	1171034	2	121	BASE PAN,EVAPORATOR SECTION	1171021	1
051	COMPRESSION CONNECTOR,MALE	1171157	1	122	PAN,HEATER (CONTROL BOX SIDE)	1171292	1
052	BRACKET,FAN (7" ZEE CHANNEL)	1171211	1	123	PAN,HEATER (IFM ACCESS SIDE)	1171291	1
054	DECK,FAN(CENTER)	1171213	1	124	BASE PAN,CONDENSER SECTION	1171022	1
055	SHAFT,INDOOR FAN	1171225	1	125	RAIL,BASE (CONTROL BOX SIDE)	1171028	1
061	COIL ASSEMBLY,ALUM FIN INDOOR	1173170	1	126	RAIL,BASE (IFM ACCESS SIDE)	1171027	1
062	COIL ASSEMBLY,ALUM FIN OUTDOOR	1173191	1	127	BAFFLE	1171016	1
				128	COVER,HOOD TOP	1171183	1
				129	BRACKET,FILTER	1171241	1

PGS300L360AA

KEY	DESCRIPTION	Part No	QTY	KEY	DESCRIPTION	Part No	QTY
130	ANGLE, FILTER	1171015	1	206	BURNER, GAS (INNER)	1171096	5
131	BRACKET, FILTER	1171084	1	207	BURNER, GAS (OUTER)(W/ DIMPLE)	1171088	2
132	PAN, HOOD DRAIN	1171358	1	208	RING, INSERT	1171439	7
133	HOOD SIDE, RIGHT OUTSIDE AIR	1171380	1	209	VALVE, GAS	1171262	1
134	HOOD SIDE, LEFT OUTSIDE AIR	1171381	1	210	SWITCH, ROLLOUT (RS)	1171484	1
135	CONTACTOR (IFC)	1171164	1	211	SPUD, ORIFICE	1171460	7
136	CONTACTOR (OFC)	1172449	1	212	SENSOR (SN)	1171448	1
137	CONTACTOR (IFC)	1171164	1	213	IGNITOR (I)	1171305	1
138	CONTACTOR (IFC)	1171164	1	216	SWITCH, LIMIT (LS1)	1171476	1
139	RELAY (CR1)(CR2)	1171813	2	217	SWITCH, LIMIT (LS2)	1171475	1
140	FUSE (FU1)(FU2)(FU3-208/230 ONLY)	1171098	2)	COMPRESSOR GASKET	1173168	1
141	TERMINAL BLOCK (TB1)	1171485	1)	DISTRIBUTOR	1173174	1
141	TERMINAL BLOCK (TB1)	1171486	1)	NOZZLE	1173175	1
142	FUSE HOLDER(FU1)(FU2)(FU3-208/230)	1171258	2)	BODY, VALVE	1173176	4
153	CHANNEL, DUCT	1171111	1)	HEATER, CRANKCASE (CH1/2)	1173186	2
155	WIRE COVER, OUTDOOR FAN MOTOR	1171273	1)	BUSHING, SNAP	1173189	1
157	PLATE, BLOCKOFF	1171366	2)	CLAMP, TUBE	1173190	1
158	CONTROL, BOARD (IGC)	1171165	1)	SIGHT GLASS	1173192	1
161	CONTROL BOX	1171167	1)	COMPRESSOR OIL	1173198	1
162	BRACKET, CIRCUIT BREAKER	1172140	1)	FLUE BAFFLE, ACCESS PANEL	1171005	1
163	CIRCUIT BREAKER (CB)	1171114	1)	FLUE BAFFLE COVER, ACCESS PANEL	1171006	1
165	RELAY, LOCKOUT (CLO1)(CLO2)	1171437	2)	COUPLING, HALF	1171009	2
166	TRANSFORMER (TRAN1)	1171498	1)	FILTER ANGLE, OUTSIDE AIR HOOD	1171085	1
167	TERMINAL BOARD (TB2)	1173187	1)	BOLT, ID FAN MOTOR JACKING PLATE	1171103	5
168	BRACKET, FUSE	1171256	1)	CAP, WIND	1171104	1
169	CIRCUIT BREAKER (IFCB)	1171816	1)	SCREEN, EXHAUST	1171208	1
175	BAFFLE, HEAT	1171284	1)	TUBE, FEEDER	1171228	40
176	BRACKET, ZEE (GAS VALVE INLET)	1171332	1)	FILTER PACKAGE, OUTSIDE AIR HOOD(REF)	1171235	1
177	RETAINER	1171204	1)	FILTER, ALUMINUM MESH	1171243	1
178	PLATE, BLOCKOFF	1171041	1)	FILTER, ALUMINUM MESH	1171244	2
179	RETAINER, FLAME	1171438	1)	HOOD ASSEMBLY, OUTSIDE AIR(REF)	1171298	1
180	HEATER ASY, TUBULAR (WELDED VEST)	1171285	1)	PLUG(J2, IGC)(12PIN)	1171302	1
181	MANIFOLD	1171329	1)	NOZZLE	1171352	1
182	BURNER ASSEMBLY	1171800	1)	PAINT, TOUCHUP	1171357	1
183	COVER, FLUE BOX	1171250	1)	JACKING PLATE, INDOOR FAN MOTOR	1171400	1
184	EXTENSION, FLUE	1171251	1)	PLUG(ECON PL1)(12PIN)	1171401	1
186	MOTOR ASY, INDUCED DRAFT	1171792	1)	PLUG ASY (NO ECONOMIZER)	1171404	1
191	INSULATION, INDUCER	1171313	1)	CONNECTOR, RECEPTACLE (PL1)	1171430	1
192	HOUSING INDUCER	1171299	1)	SPACER, FILTER	1171458	1
193	BOX, FLUE (TOP/RIGHT)	1171248	1)	VALVE BODY, SCHRAEDER	1171507	8
194	BOX, FLUE (BOTTOM/LEFT)	1171249	1)	WIND CAP ASY (ON ACCESS PANEL)	1171519	1
195	CHANNEL, MOTOR	1171344	1)	WIRE GUARD, INDOOR FAN MOTOR	1171799	1
196	MOTOR	1171339	1)	CONNECTOR	1171822	1
197	PROPELLER, FAN	1171222	1)	BUSHING, SNAP	1171824	1
198	WHEEL, BLOWER	1171051	1)	BUSHING, SNAP	1171828	3
199	BAFFLE, GAS	1171018	7)	BUSHING, SNAP	1171829	2
200	CLIP, RETAINING	1171117	7)	CLAMP	1171844	1
201	MANIFOLD ASY	1171331	1)	DISTRIBUTOR	1171851	1
202	SUPPORT, BURNER	1171092	1)	RETAINER, OUTER FANSIDE PLATE	1172134	2
203	BRACKET, BURNER (LEFT/SHORT)	1171091	1)	CONDUIT	1172138	1
204	BRACKET, BURNER (RIGHT/TALL)	1171093	1				
205	BRACKET, ROLLOUT SWITCH	1171074	1				

PGS300S360AA

KEY	DESCRIPTION	Part No.	QTY
001	SUPPORT,COIL	1172131	1
002	SUPPORT,EVAP COIL (OPP MOTOR SIDE)	1171468	1
003	ANGLE,SUPPORT	1171014	1
004	TRACK,FILTER	1171491	1
005	ANGLE,FILTER	1171118	1
006	BRACE,UPPER	1171060	1
007	BLOCKOFF PANEL,UPPER FILTER	1171042	1
008	FILTER	1171229	4
009	FILTER	1171010	4
010	TRACK,FILTER	1171492	3
011	SUPPORT,LOWER	1171464	1
012	BAFFLE,OUTDOOR FAN	1171804	1
013	COVER HEATER	1171290	1
015	GRILLE ASY,OFM	1171272	2
016	MOUNT ASY,OFM	1171061	2
017	PROPELLER,FAN	1171221	2
018	MTR,OUTDR FAN(OFM1/2)	1173178	2
019	CLAMP,OFM MOUNT	1171116	4
024	WHEEL,BLOWER	1171052	2
025	COMPRESSION CONNECTOR,FEMALE	1171138	1
026	DECK,FAN(IFM ACCESS SIDE)	1171215	1
027	BAFFLE,HEAT	1171283	1
028	SHAFT KEY,BLOWER PULLEY	1171321	1
029	PULLEY,STANDARD FAN	1173194	1
030	BELT,STANDARD FAN	1171811	2
031	PULLEY,STD MOTOR	1173193	1
032	UPRIGHT,INDOOR FAN MOTOR	1171226	1
033	BRKT,SHAFT END MTR MOUNTING PLATE	1171076	1
034	MOTOR(STD/ALT)	1173179	1
035	PLATE ASY	1171346	1
036	BOLT,BELT ADJUSTMENT(5/16-18X15")	1171055	2
037	BRKT,OPP SHAFT END MTR MTG PLATE	1171075	1
038	STOP ANGLE,MOTOR MOUNTING PLATE	1171013	1
039	BRACKET,FAN (19" ZEE CHANNEL)	1171212	1
040	CUTOFF,BLOWER	1171044	2
042	DECK,FAN(CNTRL BOX SIDE)	1171310	1
043	RAIL, TOP	1171490	1
044	BRACKET,INDOOR FAN BEARING	1171036	2
045	BRACKET,FAN (1 3/4" HAT CHANNEL)	1171210	2
046	TUBE,LUBRICATION	1171501	1
047	SCROLL,FAN	1171224	2
048	PLATE,FANSIDE (BEARING SIDE)	1171047	2
049	PLATE,FANSIDE (OPP BEARING SIDE)	1171046	2
050	BEARING,INDOOR FAN	1171034	2
051	COMPRESSION CONNECTOR,MALE	1171157	1
052	BRACKET,FAN (7" ZEE CHANNEL)	1171211	1
054	DECK,FAN(CENTER)	1171213	1
055	SHAFT,INDOOR FAN	1171225	1
061	COIL ASSEMBLY,ALUM FIN INDOOR	1173170	1
062	COIL ASSEMBLY,ALUM FIN OUTDOOR	1173191	1

KEY	DESCRIPTION	Part No.	QTY
063	CAP,FLARE	1171101	8
064	CORE,SCHRAEDER VALVE	1171508	6
065	CORE,VALVE	1173177	4
066	SWITCH,HIGH PRESSURE (HPS1)(HPS2)	1172381	2
067	SWITCH,LOW PRESSURE (LPS1)(LPS2)	1171868	2
068	VALVE,TXV	1172595	1
069	VALVE,TXV	1173173	1
070	CLAMP	1172436	2
071	CLAMP	1171115	2
072	COMPRESSOR (COMP1)	1173197	1
073	COMPRESSOR (COMP2)	1172878	1
075	TSTAT,FREEZE PROTECT (FPT1)(FPT2)	1171252	2
081	DRIER,FILTER	1171203	2
085	STRAP,FILTER	1172133	2
090	PLUG,FUSIBLE(LIQUID LINE)	1171403	2
093	ACCESS PANEL,BURNER SECTION	1171086	1
094	TOP COVER,EVAPORATOR	1171360	1
095	SUPPORT, TOP (CONTROL BOX SIDE)	1171465	1
096	FAN DECK,OUTDOOR	1171355	1
097	TOP COVER,CONDENSER COIL	1171489	1
098	SUPPORT, TOP (IFM ACCESS SIDE)	1171847	1
099	POST,CONDENSER (IFM ACCESS SIDE)	1171176	1
100	ACCESS PANEL,OUTDOOR SECTION	1171377	2
101	POST,CENTER (TWO PER SIDE)	1171083	4
102	LATCH ASY	1171019	8
103	ACCESS PANEL,CENTER (IFM SIDE)	1171378	1
104	BAFFLE,FAN ACCESS	1171209	1
105	ACCESS PANEL,INDOOR SECTION	1171379	2
106	COVER,FILTER ACCESS	1171319	1
107	POST,CORNER (IFM ACCESS SIDE)	1171408	1
108	PLATE,25% AIR	1171392	1
109	SLIDER,25% AIR	1171457	1
110	PANEL,END (NO PWR EXH/BARO RELIEF)	1171361	1
111	POST,CORNER (CONTROL BOX SIDE)	1171171	1
112	PANEL,INTERIOR (BELOW CONTROL BOX)	1171017	1
113	POST,CONDENSER (CONTROL BOX SIDE)	1171411	1
114	COVER,CONTROL BOX	1171882	2
115	PARTITION,UPPER FAN (ID/HEAT SECT)	1171217	1
116	ANGLE,BASE RAIL	1171029	2
117	RAIL,BASE	1171030	1
118	PAN,FILTER (CONTROL BOX SIDE)	1171236	1
119	PAN,FILTER (IFM ACCESS SIDE)	1171237	1
120	PAN,CONDENSATE	1171517	1
121	BASE PAN,EVAPORATOR SECTION	1171021	1
122	PAN,HEATER (CONTROL BOX SIDE)	1171292	1
123	PAN,HEATER (IFM ACCESS SIDE)	1171291	1
124	BASE PAN,CONDENSER SECTION	1171022	1
125	RAIL,BASE (CONTROL BOX SIDE)	1171028	1
126	RAIL,BASE (IFM ACCESS SIDE)	1171027	1
127	BAFFLE	1171016	1
128	COVER,HOOD TOP	1171183	1
129	BRACKET,FILTER	1171241	1

PGS300S360AA

KEY	DESCRIPTION	Part No.	QTY	KEY	DESCRIPTION	Part No.	QTY
130	ANGLE, FILTER	1171015	1	205	BRACKET, ROLLOUT SWITCH	1171074	1
131	BRACKET, FILTER	1171084	1	206	BURNER, GAS (INNER)	1171096	5
132	PAN, HOOD DRAIN	1171358	1	207	BURNER, GAS (OUTER)(W/ DIMPLE)	1171088	2
133	HOOD SIDE, RIGHT OUTSIDE AIR	1171380	1	208	RING, INSERT	1171439	7
134	HOOD SIDE, LEFT OUTSIDE AIR	1171381	1	209	VALVE, GAS	1171262	1
135	CONTACTOR (IFC)	1171164	1	210	SWITCH, ROLLOUT (RS)	1171484	1
136	CONTACTOR (OFC)	1172449	1	211	SPUD, ORIFICE	1171460	7
137	CONTACTOR (IFC)	1171164	1	212	SENSOR (SN)	1171448	1
138	CONTACTOR (IFC)	1171164	1	213	IGNITOR (I)	1171305	1
139	RELAY (CR1)(CR2)	1171813	2	216	SWITCH, LIMIT (LS1)	1171476	1
140	FUSE (FU1)(FU2)(FU3-208/230 ONLY)	1171098	2	217	SWITCH, LIMIT (LS2)	1171475	1
141	TERMINAL BLOCK (TB1)	1171485	1)	COMPRESSOR GASKET	1173168	1
141	TERMINAL BLOCK (TB1)	1171486	1)	DISTRIBUTOR	1173174	1
142	FUSE HOLDER(FU1)(FU2)(FU3-208/230)	1171258	2)	NOZZLE	1173175	1
145	TRANSFORMER (TRAN2)	1171837	1)	BODY, VALVE	1173176	4
153	CHANNEL, DUCT	1171111	1)	HEATER, CRANKCASE (CH1/2)	1173185	2
155	WIRE COVER, OUTDOOR FAN MOTOR	1171273	1)	BUSHING, SNAP	1173188	3
157	PLATE, BLOCKOFF	1171366	2)	BUSHING, SNAP	1173189	1
158	CONTROL, BOARD (IGC)	1171165	1)	CLAMP, TUBE	1173190	1
161	CONTROL BOX	1171167	1)	SIGHT GLASS	1173192	1
162	BRACKET, CIRCUIT BREAKER	1172140	1)	COMPRESSOR OIL	1173198	1
163	CIRCUIT BREAKER (CB)	1171114	1)	FLUE BAFFLE, ACCESS PANEL	1171005	1
165	RELAY, LOCKOUT (CLO1)(CLO2)	1171437	2)	FLUE BAFFLE COVER, ACCESS PANEL	1171006	1
166	TRANSFORMER (TRAN1)	1171498	1)	COUPLING, HALF	1171009	2
167	TERMINAL BOARD (TB2)	1173187	1)	FILTER ANGLE, OUTSIDE AIR HOOD	1171085	1
168	BRACKET, FUSE	1171256	1)	BOLT, ID FAN MOTOR JACKING PLATE	1171103	5
170	ANGLE, FILTER	1171015	1)	CAP, WIND	1171104	1
172	BRACKET, FILTER	1171084	1)	SCREEN, EXHAUST	1171208	1
173	PAN, HOOD DRAIN	1171358	1)	TUBE, FEEDER	1171228	40
175	HOOD SIDE, RIGHT OUTSIDE AIR	1171380	1)	FILTER PACKAGE, OUTSIDE AIR HOOD(REF)	1171235	1
177	HOOD SIDE, LEFT OUTSIDE AIR	1171381	1)	FILTER, ALUMINUM MESH	1171243	1
178	CONTACTOR (IFC)	1171164	1)	FILTER, ALUMINUM MESH	1171244	2
180	HEATER ASY, TUBULAR (WELDED VEST)	1171285	1)	HOOD ASSEMBLY, OUTSIDE AIR(REF)	1171298	1
181	MANIFOLD	1171329	1)	PLUG(J2, IGC)(12PIN)	1171302	1
182	BURNER ASSEMBLY	1171800	1)	NOZZLE	1171352	1
183	COVER, FLUE BOX	1171250	1)	PAINT, TOUCHUP	1171357	1
184	EXTENSION, FLUE	1171251	1)	JACKING PLATE, INDOOR FAN MOTOR	1171400	1
186	MOTOR ASY, INDUCED DRAFT	1171793	1)	PLUG(ECON PL1)(12PIN)	1171401	1
191	INSULATION, INDUCER	1171313	1)	PLUG ASY (NO ECONOMIZER)	1171404	1
192	HOUSING INDUCER	1171299	1)	CONNECTOR, RECEPTACLE (PL1)	1171430	1
193	BOX, FLUE (TOP/RIGHT)	1171248	1)	SPACER, FILTER	1171458	1
194	BOX, FLUE (BOTTOM/LEFT)	1171249	1)	VALVE BODY, SCHRAEDER	1171507	8
195	CHANNEL, MOTOR	1171344	1)	WIND CAP ASY (ON ACCESS PANEL)	1171519	1
196	MOTOR	1171333	1)	WIRE GUARD, INDOOR FAN MOTOR	1171799	1
197	PROPELLER, FAN	1171222	1)	CONNECTOR	1171822	1
198	WHEEL, BLOWER	1171051	1)	BUSHING, SNAP	1171824	1
199	BAFFLE, GAS	1171018	7)	BUSHING, SNAP	1171828	3
200	CLIP, RETAINING	1171117	7)	BUSHING, SNAP	1171829	2
201	MANIFOLD ASY	1171331	1)	CLAMP	1171844	1
202	SUPPORT, BURNER	1171092	1)	DISTRIBUTOR	1171851	1
203	BRACKET, BURNER (LEFT/SHORT)	1171091	1)	RETAINER, OUTER FANSIDE PLATE	1172134	2
204	BRACKET, BURNER (RIGHT/TALL)	1171093	1)	CONDUIT	1172138	1

PGS300 Cooling Charging Chart

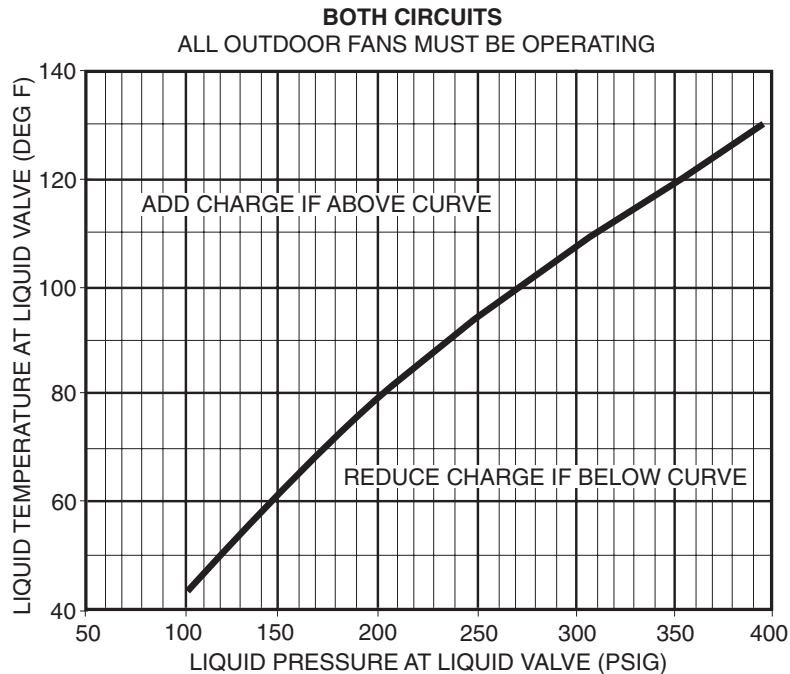


Fig. 41 — Cooling Charging Chart

TO USE THE COOLING CHARGING CHART - Use the above temperature and pressure readings, and find the intersection point on the cooling charging chart. If intersection point on chart is above line, add refrigerant. If intersection point on chart is below line, carefully recover some of the charge. Re-check suction pressure as charge is adjusted.

Note: Indoor-air cfm must be within normal operating range of unit. All outdoor fans must be operating.

The TXV is set to maintain between 15 and 20 degrees of superheat at the compressors. The valves are factory set and should not require re-adjustment.

EXPANDED PERFORMANCE DATA (COOLING) 25 TON (GROSS CAPACITY)

Temp (F) Air Entering Condenser (Edb)		Evaporator Air Quantity - CFM													
		8,000							9,000						
		Evaporator Air - Ewb (F)/BF													
		54/0.49	58/0.32	62/0.15	67/0.14	72/0.13	76/0.17	80/0.00	54/0.53	58/0.37	62/0.18	67/0.15	72/0.14	76/0.17	80/0.00
75	TC	266	268	280	304	324	352	379	277	276	286	310	336	361	385
	SHC	266	251	246	209	168	137	107	277	269	261	221	178	142	108
	kW	19.5	19.6	19.9	20.5	20.9	21.8	22.4	19.8	19.5	20.0	20.6	21.3	22.0	22.6
85	TC	260	262	272	294	321	344	367	271	272	277	300	326	349	373
	SHC	260	254	243	205	167	135	104	271	264	257	217	175	139	104
	kW	21.6	21.6	22.0	22.5	23.3	23.9	24.6	22.2	21.9	22.1	22.7	23.4	24.1	24.8
95	TC	254	256	262	284	310	332	355	263	263	268	289	316	337	360
	SHC	254	249	238	201	163	131	100	263	263	251	213	171	135	100
	kW	23.8	23.9	24.1	24.8	25.5	26.2	26.9	24.1	24.1	24.3	24.9	25.9	26.4	27.1
105	TC	246	247	253	274	298	319	343	255	255	258	278	302	326	346
	SHC	246	245	233	197	159	127	96	255	255	246	208	166	132	96
	kW	26.3	26.3	26.5	27.2	28.0	28.7	29.5	26.5	26.5	26.6	27.3	28.1	29.0	29.6
115	TC	238	239	243	264	286	306	328	247	246	249	267	290	311	-
	SHC	238	239	228	193	155	123	91	247	246	239	204	162	127	-
	kW	28.9	28.9	29.1	29.7	30.6	31.4	32.1	29.1	29.2	29.3	30.0	30.8	31.5	-

EXPANDED PERFORMANCE DATA (COOLING) 25 TON (GROSS CAPACITY) Cont.

Temp (F) Air Entering Condenser (Edb)		Evaporator Air Quantity - CFM													
		10,000							11,250						
		Evaporator Air - Ewb (F)/BF													
		54/0.57	58/0.41	62/0.23	67/0.16	72/0.15	76/0.17	80/0.00	54/0.61	58/0.47	62/0.30	67/0.16	72/0.17	76/0.17	80/0.00
75	TC	286	284	291	314	341	365	390	295	295	298	319	342	367	392
	SHC	286	284	274	232	186	147	108	295	295	285	245	193	151	108
	kW	20.0	20.2	20.2	20.8	21.5	22.1	22.7	20.3	20.3	20.4	20.9	21.2	21.5	21.9
85	TC	278	278	282	304	330	354	378	288	287	289	310	334	359	384
	SHC	278	278	269	228	182	143	105	288	287	278	241	190	148	106
	kW	22.1	22.1	22.2	22.8	23.6	24.2	24.9	22.5	22.4	22.4	23.1	23.7	24.4	25.3
95	TC	270	270	273	293	319	341	364	278	278	280	318	323	346	-
	SHC	270	270	262	223	177	139	101	278	278	269	150	186	144	-
	kW	24.4	24.4	24.4	25.1	25.8	26.5	27.2	24.6	24.6	24.7	30.0	26.0	26.7	-
105	TC	261	262	264	282	306	328	352	269	269	272	285	310	332	-
	SHC	261	262	254	219	173	135	97	269	269	259	232	182	140	-
	kW	26.8	26.8	26.9	27.5	28.3	29.0	29.8	27.0	27.0	27.1	27.6	28.4	29.1	-
115	TC	253	253	255	270	293	315	-	259	260	262	273	297	318	-
	SHC	253	253	245	214	168	131	-	259	260	247	227	177	136	-
	kW	29.3	29.3	29.6	30.1	30.9	31.7	-	29.7	29.6	29.8	30.2	31.1	31.8	-

FORMULAS AND NOTES FOR USING EXPANDED PERFORMANCE DATA

LEGEND

- BF - Bypass Factor
- Edb - Entering Dry-Bulb
- Ewb - Entering Wet-Bulb
- kW - Compressor Motor Power Input
- ldb - Leaving Dry-Bulb
- lwb - Leaving Wet-Bulb
- SHC - Sensible Heat capacity (1000 Btuh) Gross
- TC - Total Capacity (1000 Btuh) Gross

1. Direct interpolation is permissible. Do not extrapolate.
2. The following formulas may be used:
 - $t / ldb = t \text{ edb} - \text{sensible capacity (Btuh)} / (1.10 \times \text{cfm})$
 - $t / w_b = \text{Wet bulb temp. corresponding to enthalpy of air leaving evaporator coil (h/wb)}$
 - $h / w_b = h \text{ web} - \text{total capacity Btuh} / (4.5 \times \text{cfm})$
where h ewb = Enthalpy of air entering evap. coil.

3. The SHC is based on 80 F edb temperature of air entering evaporator coil.
Below 80 F edb, subtract (corr factor x cfm) from SHC.
Above 80 F edb, add (corr factor x cfm) to SHC,

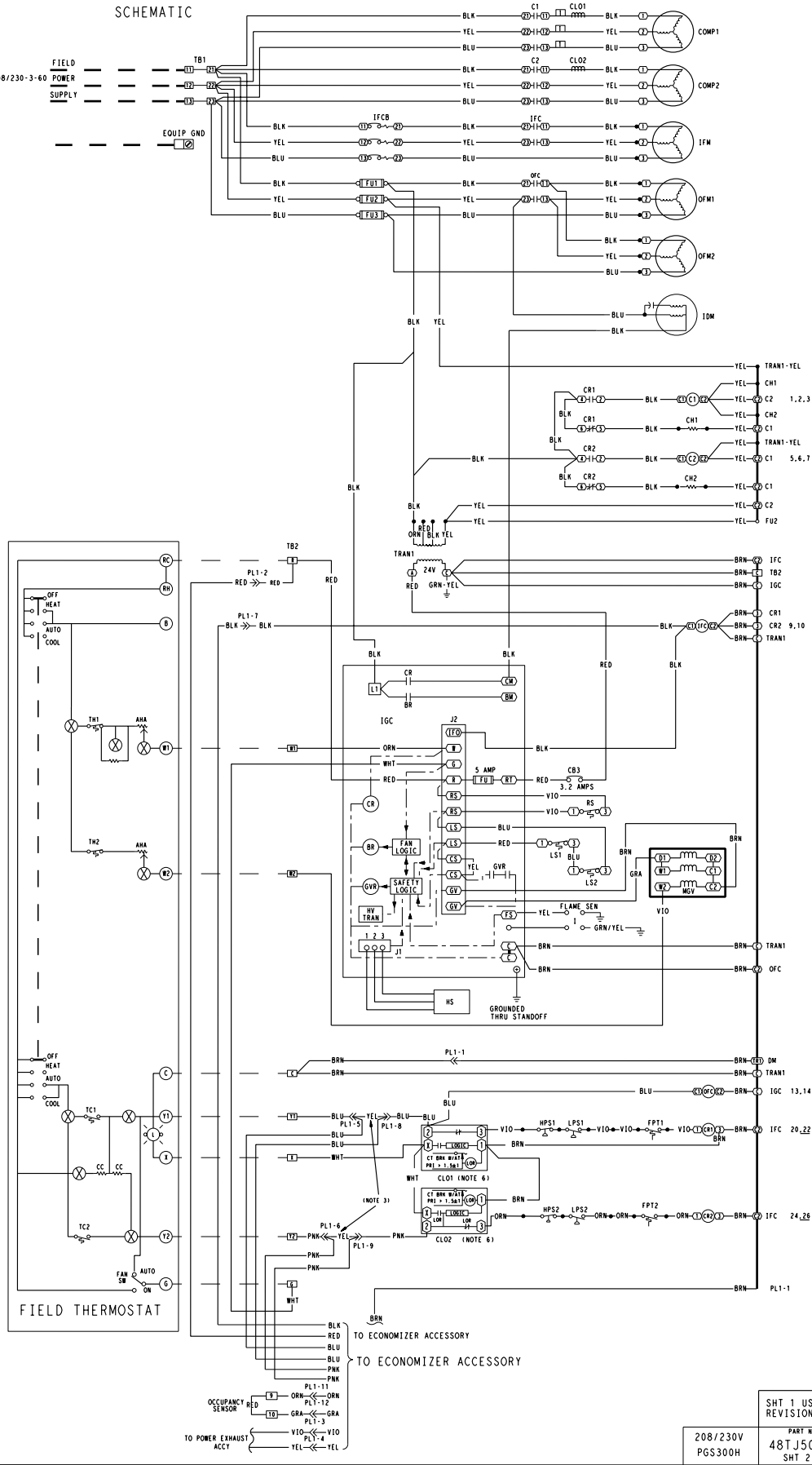
Bypass Factor (BF)	ENTERING AIR DRY-BULB TEMP (F)					
	79	78	77	76	75	under 75
	81	82	83	84	85	over 85
	Correction Factor					
0.05	1.04	2.07	3.11	4.14	5.18	Use Formula Below
0.10	0.98	1.96	2.94	3.92	4.91	
0.20	0.87	1.74	2.62	3.49	4.36	
0.30	0.76	1.53	2.29	3.05	3.82	
0.40	0.65	1.31	1.96	2.62	3.27	
0.50	0.55	1.09	1.64	2.18	2.73	
0.60	0.44	0.87	1.31	1.74	2.18	
0.70	0.33	0.65	0.98	1.31	1.64	

Interpolation is permissible.
Correction factor = $1.10 \times (1 - BF) \times (\text{edb} - 80)$.

208/230 VOLT - ALL MODELS

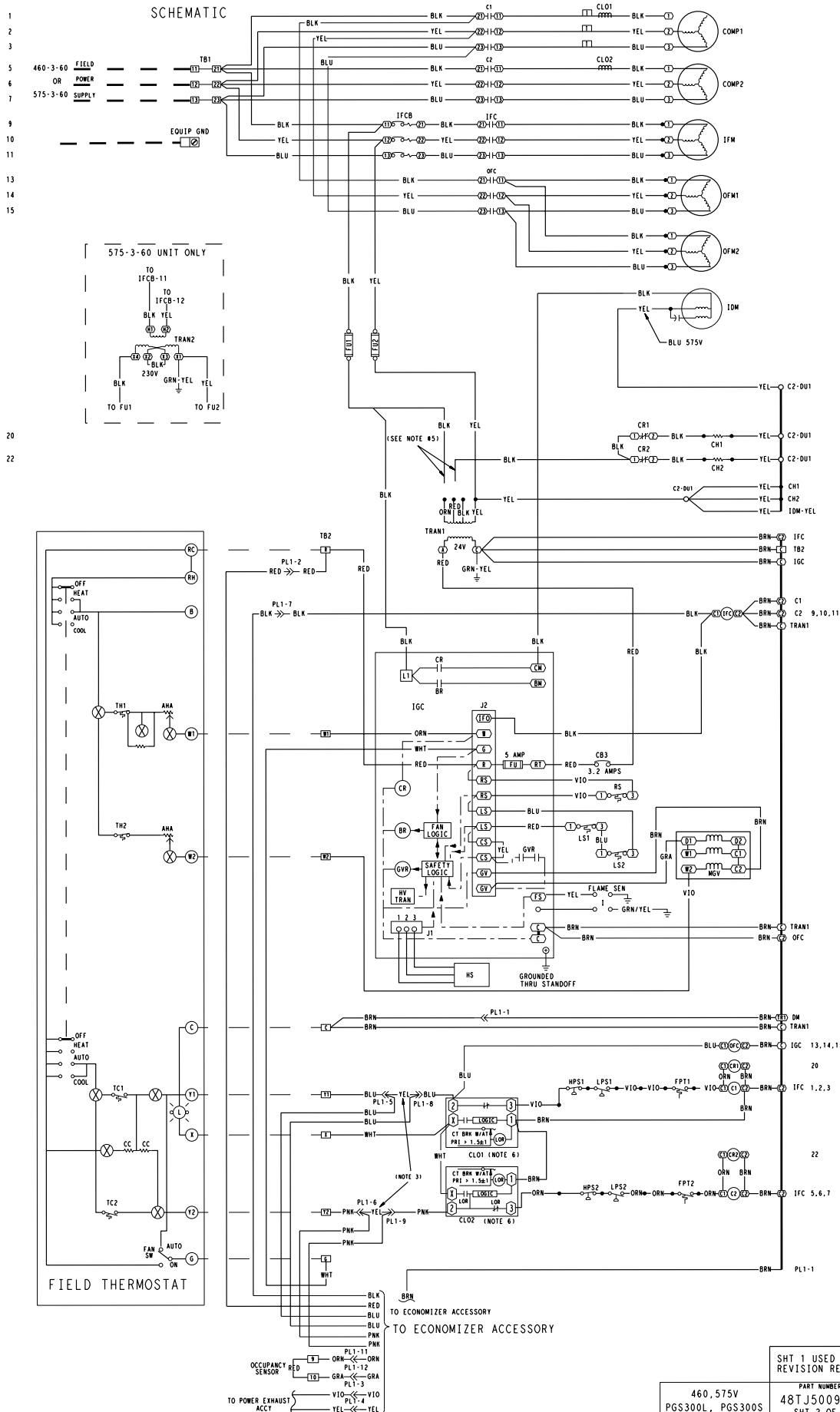
1
2
3
5
6
7
9
10
13
14
20
22
24
26

SCHEMATIC



SHT 1 USED FOR REVISION RECORD		
PART NUMBER	REV	
208/230V PGS300H	48TJ500909 SHT 2 OF 3	2.0

460, 575 VOLT - ALL MODELS



SHT 1 USED FOR REVISION RECORD		
PART NUMBER	REV	
460.575V PGS300L, PGS300S	48TJ500910 SHT 2 OF 3	2.0