

# Parts List, Charging Chart, Wiring Diagrams

**PGN5 24 - 60 SERIES  
1 Phase**

**R-410A PACKAGE GAS ELECTRIC  
UNITS**



## TABLE OF CONTENTS

PARTS LIST	24 & 36	-----	2 - 5
PARTS DRAWING	24 & 36	-----	6 - 13
PARTS LIST	48 & 60	-----	14 - 16
PARTS DRAWING	48 & 60	-----	17 - 24
CHARGING CHART	24 - 60	-----	25
WIRING DIAGRAMS		-----	26 - 28



**PGN5 24 & 36 PARTS LIST**

KEY NO.	DESCRIPTION	FAST PARTS NO.	PGN524040K00A1	PGN524040K01A1	PGN524060K00A1	PGN524060K10A1	PGN536060K00A1	PGN536060K01A1	PGN536090K00A1	PGN536090K10A1
01	COMP ZPS20K4E-PFV-130	ZPS20K4EPFV130	1	1	1	1	*	*	*	*
01	COMP ZPS30K4E-PFV-130	ZPS30K4EPFV130	*	*	*	*	1	1	1	1
02	COIL ASY OUTDOOR 24 AL LF	1177321	1	1	1	1	*	*	*	*
02	COIL ASY OUTDOOR 36 (LF) AL	1177330	*	*	*	*	1	1	1	1
03	COIL ASY OUTDOOR 24 AL RT	1177322	1	1	1	1	*	*	*	*
03	COIL ASY OUTDOOR 36 (RT) AL	1177331	*	*	*	*	1	1	1	1
04	COIL ASY INDOOR (36)	1177327	*	*	*	*	1	1	1	1
04	COIL ASY INDOOR 24	1177320	1	1	1	1	*	*	*	*
05	MTR BLW 1/230 1/2 600-1200	1177314	1	1	1	1	*	*	*	*
05	MTR BLW 1/230 3/4 600-1200	1177344	*	*	*	*	1	1	1	1
06	MOTOR COND 1/230 1/8 825	1175625	*	*	*	*	1	1	1	1
06	MTR CND 1/230 1/8 825/1	1173699	1	1	1	1	*	*	*	*
07	FAN C 22" 3B 1/2" 24 INT	1171220	1	1	1	1	*	*	*	*
07	FAN C 22" 3B 1/2" 28 INT	1171219	*	*	*	*	1	1	1	1
08	CAP RN RD 370V 5+35	1172110	1	1	1	1	*	*	*	*
08	CAP RN RD 370V 5+40 mfd	1172147	*	*	*	*	1	1	1	1
10	CONTACTOR 1P 25A 24V	1173689	1	1	1	1	*	*	*	*
10	CONTACTOR 1P 40A 24V	1173690	*	*	*	*	1	1	1	1
12	IGNITION CONTROL MODULE	1177661	1	1	1	1	1	1	1	1
13	TRANS 208/230>24 40VA	1173691	1	1	1	1	1	1	1	1
14	WHEEL BLW 11X10 CW	1176057	*	*	*	*	1	1	1	1
14	WHEEL DD 10X10 CW	1175970	1	1	1	1	*	*	*	*
15	WHEEL DD 5 1/4X1 CCW	1175971	1	1	1	1	1	1	1	1
16	DISTRIBUTOR 3 CIRCUIT R-410A	1174360	1	1	1	1	*	*	*	*
16	DISTRIBUTOR 4 CKT	1174359	*	*	*	*	1	1	1	1
18	SWITCH TEMP (RS)	1177658	1	1	1	1	1	1	1	1
19	KIT, TAIL PIECE ASY(FLOW RSTR)	1174325	1	1	1	1	1	1	1	1
20	SWITCH LMT 225-50 (LS2)	1171484	1	1	1	1	*	*	*	*
21	SENSOR ASY	1177662	1	1	1	1	1	1	1	1
22	IGNITER ASY	1177663	1	1	1	1	1	1	1	1
23	MANIFOLD 2 BURNER	1175975	1	1	1	1	*	*	*	*
23	MANIFOLD 2 BURNER	1176059	*	*	*	*	1	1	*	*
23	MANIFOLD 3 BURNER	1176089	*	*	*	*	*	*	1	1
24	BURNER ASY	1171095	2	2	2	2	2	2	2	2
25	BURNER ASY	1171087	*	*	*	*	*	*	1	1
26	RING INSERT	1171439	2	2	2	2	2	2	3	3
27	VALVE GAS	1175976	1	1	1	1	1	1	1	1
28	ORIFICE MAIN 38	1172235	*	*	2	2	2	2	3	3
28	ORIFICE MAIN 44	1175977	2	2	*	*	*	*	*	*
31	MOTOR IDF	1177657	1	1	1	1	1	1	1	1
32	MOUNTING KIT BLW MTR	1175958	1	1	1	1	*	*	*	*
32	MOUNTING KIT BLW MTR (42-60)	1176088	*	*	*	*	1	1	1	1
33	TUBE ASY HT EX 40K BTU	1175980	1	*	*	*	*	*	*	*
33	TUBE ASY HT EX 40K BTU LWNX	1175981	*	1	*	*	*	*	*	*

**PGN5 24 & 36 PARTS LIST (continued)**

KEY NO.	DESCRIPTION	FAST PARTS NO.								
			PGN524040K00A1	PGN524040K01A1	PGN524060K00A1	PGN524060K10A1	PGN536060K00A1	PGN536060K01A1	PGN536090K00A1	PGN536090K10A1
33	TUBE ASY HT EX 60K BTU	1175982	*	*	1	*	1	*	*	*
33	TUBE ASY HT EX 60K BTU LWNX	1175981	*	*	*	*	*	1	*	*
33	TUBE ASY HT EX 60K BTU LWNX	1175983	*	*	*	1	*	*	*	*
33	TUBE ASY HT EX 90K BTU	1176041	*	*	*	*	*	*	1	*
33	TUBE ASY HT EX 90K BTU LWNX	1176042	*	*	*	*	*	*	*	1
35	BAFFLE FLUE 15MM	1177653	*	*	*	*	*	*	1	1
35	BAFFLE FLUE 24MM	1172688	*	*	1	1	1	1	*	*
35	BAFFLE FLUE 28MM	1172689	1	1	*	*	*	*	*	*
36	BAFFLE LOW NOX	1173201	*	2	*	2	*	2	*	3
37	PLUG COMPRESSOR	1175968	*	*	*	*	1	1	1	1
37	PLUG COMPRESSOR	1177318	1	1	1	1	*	*	*	*
38	HEATER CRANKCASE 40W 240V	1176105	1	1	1	1	1	1	1	1
39	SWITCH LOW PRESSURE	1174694	1	1	1	1	1	1	1	1
40	DRIER LIQ 08 CU IN 3/8 SWEAT	1173679	1	1	1	1	1	1	1	1
41	SWITCH HIGH PRESSURE	1174695	1	1	1	1	1	1	1	1
42	SWITCH PRESS COMP SOL	1174413	1	1	1	1	1	1	1	1
43	VALVE TXV 2 TON	1177317	1	1	1	1	*	*	*	*
43	VALVE TXV 3 TON	1176869	*	*	*	*	1	1	1	1
44	PLUG COMP SOLENOID COIL 51"LDS	1177316	1	1	1	1	1	1	1	1
45	BOARD MOTOR	1177656	1	1	1	1	1	1	1	1
46	SWITCH PRESURE	1172197	1	1	1	1	1	1	1	1
50	SWITCH TEMP (LS1)	1176116	*	*	*	*	1	1	*	*
50	SWITCH TEMP (LS1)	1177659	*	*	*	*	*	*	1	1
50	SWITCH TEMP (LS1)	1177660	1	1	1	1	*	*	*	*
AA	INSULATION FAN PARTITION	1176008	1	1	1	1	*	*	*	*
AA	INSULATION FAN PARTITION	1176073	*	*	*	*	1	1	1	1
AB	CLAMP	1095021	1	1	1	1	1	1	1	1
AE	SCROLL	1176074	*	*	*	*	1	1	1	1
AE	SCROLL BLW	1176010	1	1	1	1	*	*	*	*
AF	PLATE ASY BLW SIDE	1176011	1	1	1	1	*	*	*	*
AF	PLATE ASY FAN SIDE	1176075	*	*	*	*	1	1	1	1
AH	PLATE BLW	1176012	1	1	1	1	*	*	*	*
AH	PLATE FAN BOTTOM	1176077	*	*	*	*	1	1	1	1
AK	GRILLE ASY 16"	1176017	1	1	1	1	*	*	*	*
AK	GRILLE ASY 18"	1177336	*	*	*	*	1	1	1	1
AL	GRILLE ASY 16"	1176018	1	1	1	1	*	*	*	*
AL	GRILLE ASY 18"	1177337	*	*	*	*	2	2	2	2
AM	GRILLE ASY 16"	1176019	1	1	1	1	*	*	*	*
AM	GRILLE ASY 18"	1177338	*	*	*	*	1	1	1	1
AN	GRILLE ASY 16"	1176020	1	1	1	1	*	*	*	*
AP	PANEL CORNER 16" COND	1176045	3	3	3	3	*	*	*	*
AP	PANEL CORNER 18" COND	1177347	*	*	*	*	2	2	2	2
AQ	BRACKET SUPPORT	1176023	4	4	4	4	*	*	*	*
AQ	BRACKET SUPPORT 16"	1176110	*	*	*	*	4	4	4	4

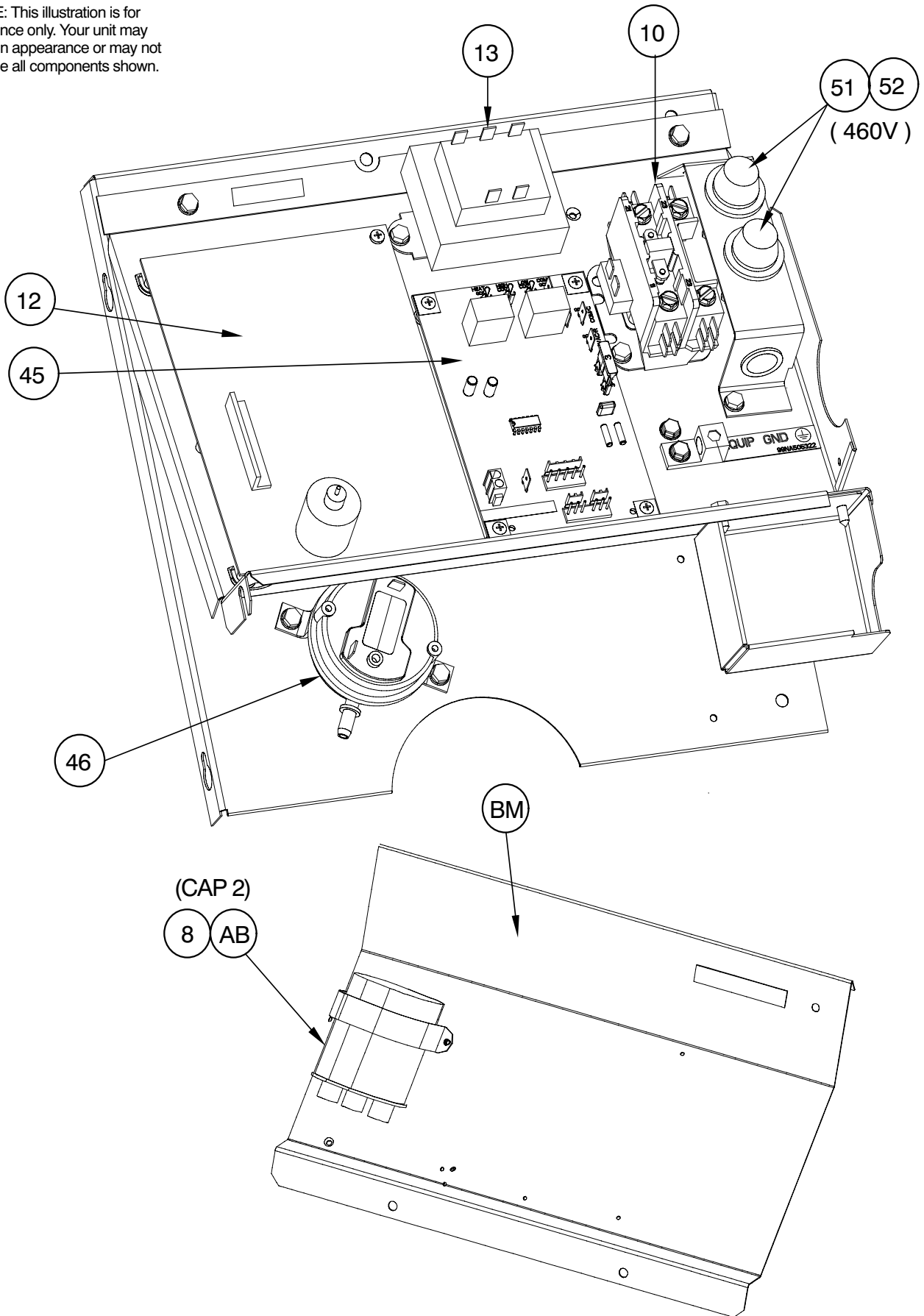
**PGN5 24 & 36 PARTS LIST (continued)**

KEY NO.	DESCRIPTION	FAST PARTS NO.	PGN524040K00A1	PGN524040K01A1	PGN524060K00A1	PGN524060K10A1	PGN536060K00A1	PGN536060K01A1	PGN536090K00A1	PGN536090K10A1
AR	PANEL CORNER 16" HEADER	1176046	1	1	1	1	*	*	*	*
AR	PANEL CORNER 18" HEADER	1177348	*	*	*	*	1	1	1	1
AS	PARTITION COIL EVAP	1176026	1	1	1	1	1	1	1	1
AT	SUPPORT BURNER	1177731	1	1	1	1	1	1	1	1
AV	BRACKET BURNER	1177728	1	1	1	1	*	*	*	*
AV	BRACKET BURNER 2 BURNER	1176047	*	*	*	*	1	1	*	*
AV	BRACKET BURNER 3 BURNER	1177729	*	*	*	*	*	*	1	1
AW	BRACKET SWITCH	1177730	1	1	1	1	1	1	1	1
BA	PANEL CORNER 18" HAIRPIN	1177349	*	*	*	*	1	1	1	1
BB	SUPPORT BLOWER	1176085	*	*	*	*	1	1	1	1
BC	PARTION COIL EVAP	1176783	1	1	1	1	*	*	*	*
BC	PARTITION COIL SUPPLY	1176084	*	*	*	*	1	1	1	1
BD	SUPPORT BLOWER	1176784	1	1	1	1	1	1	1	1
BE	SHEILD BASE PAN	1176086	*	*	*	*	1	1	1	1
BE	SHIELD BASEPAN	1176794	1	1	1	1	*	*	*	*
BF	INSULATION RETURN DUCT PANEL	1176087	*	*	*	*	1	1	1	1
BF	INSULATION RETURN DUCT PANEL	1176151	1	1	1	1	*	*	*	*
BG	COMPRESSOR MTG BOLT	1176731	4	4	4	4	4	4	4	4
BH	INSULATION COIL PARTITION	1176152	1	1	1	1	*	*	*	*
BH	INSULATION COIL PARTITION	1176153	*	*	*	*	1	1	1	1
BJ	INSULATION COIL PARTITION	1176785	1	1	1	1	*	*	*	*
BJ	INSULATION COIL PARTITION	1176786	*	*	*	*	1	1	1	1
BK	GROMMET	1176613	1	1	1	1	1	1	1	1
BM	BLOCKOFF PANEL UPPER	1177319	1	1	1	1	*	*	*	*
BM	BLOCKOFF PANEL UPPER	1177326	*	*	*	*	1	1	1	1
BN	BLOCKOFF PANEL LOWER	1177223	1	1	1	1	*	*	*	*
BN	BLOCKOFF PANEL LOWER	1177325	*	*	*	*	1	1	1	1
A	RACEWAY	1171428	1	1	1	1	1	1	1	1
B	INSULATION ASY TOP	1176083	*	*	*	*	1	1	1	1
B	INSULATION ASY TOP EVAP	1175988	1	1	1	1	*	*	*	*
C	BASE PAN ASY	1175989	1	1	1	1	*	*	*	*
C	BASE PAN ASY	1176061	*	*	*	*	1	1	1	1
D	DUCT COVER ASY	1175990	2	2	2	2	*	*	*	*
D	DUCT COVER ASY	1176062	*	*	*	*	2	2	2	2
E	TOP COND	1176063	*	*	*	*	1	1	1	1
E	TOP COVER CONDENSER	1175991	1	1	1	1	*	*	*	*
F	PARTITION COIL	1175992	1	1	1	1	*	*	*	*
F	PARTITION COIL RETURN	1176064	*	*	*	*	1	1	1	1
G	PARTITION FAN	1175993	1	1	1	1	*	*	*	*
G	PARTITION FAN	1176065	*	*	*	*	1	1	1	1
H	PANEL REAR DUCT	1175994	1	1	1	1	*	*	*	*
H	PANEL REAR DUCT	1176066	*	*	*	*	1	1	1	1
J	PANEL COMP SIDE	1175995	1	1	1	1	*	*	*	*
J	PANEL SIDE COMP	1176067	*	*	*	*	1	1	1	1

**PGN5 24 & 36 PARTS LIST (continued)**

KEY NO.	DESCRIPTION	FAST PARTS NO.	PGN524040K00A1	PGN524040K01A1	PGN524060K00A1	PGN524060K10A1	PGN536060K00A1	PGN536060K01A1	PGN536090K00A1	PGN536090K10A1
K	PANEL ACCESS	1175996	1	1	1	1	*	*	*	*
K	PANEL ACCESS	1176068	*	*	*	*	1	1	1	1
L	INSULATION ACCESS PANEL	1175997	1	1	1	1	*	*	*	*
L	INSULATION PANEL ACCESS	1176069	*	*	*	*	1	1	1	1
M	INSULATION PANEL COMP	1175998	1	1	1	1	*	*	*	*
M	INSULATION PANEL COMP SIDE	1176070	*	*	*	*	1	1	1	1
N	GRILLE OUTLET	1171267	1	1	1	1	1	1	1	1
P	GROMMET COMPRESSOR 1.62"DIA	1171270	4	4	4	4	4	4	4	4
Q	CAP HOOD	1175999	1	1	1	1	1	1	1	1
R	PLATE INSULATION	1176000	1	1	1	1	1	1	1	1
S	INSULATION ASY FLUE BOX	1177726	*	*	*	*	*	*	1	1
S	INSULATION ASY FLUE BOX 40K BTU	1177725	1	1	*	*	*	*	*	*
S	INSULATION ASY FLUE BOX 60K BTU	1177727	*	*	1	1	1	1	*	*
T	INSULATION FLUE COVER	1176002	1	1	1	1	1	1	1	1
V	SHEILD	1176003	1	1	1	1	1	1	1	1
W	INSULATION FLUE COVER	1176004	1	1	1	1	1	1	1	*
X	PANEL GAS SIDE	1176005	1	1	1	1	*	*	*	*
X	PANEL SIDE GAS	1176071	*	*	*	*	1	1	1	1
Y	INSULATION PANEL GAS SIDE	1176006	1	1	1	1	*	*	*	*
Y	INSULATION PANEL GAS SIDE	1176072	*	*	*	*	1	1	1	1
PARTS NOT SHOWN										
)	HARNESS ASY 208/230V	1177652	1	1	1	1	1	1	1	1
)	WIRE ASY INGNITION	1177654	1	1	1	1	1	1	1	1
)	WIRE IGNITION	1175498	1	1	1	1	1	1	1	1

NOTE: This illustration is for reference only. Your unit may differ in appearance or may not include all components shown.

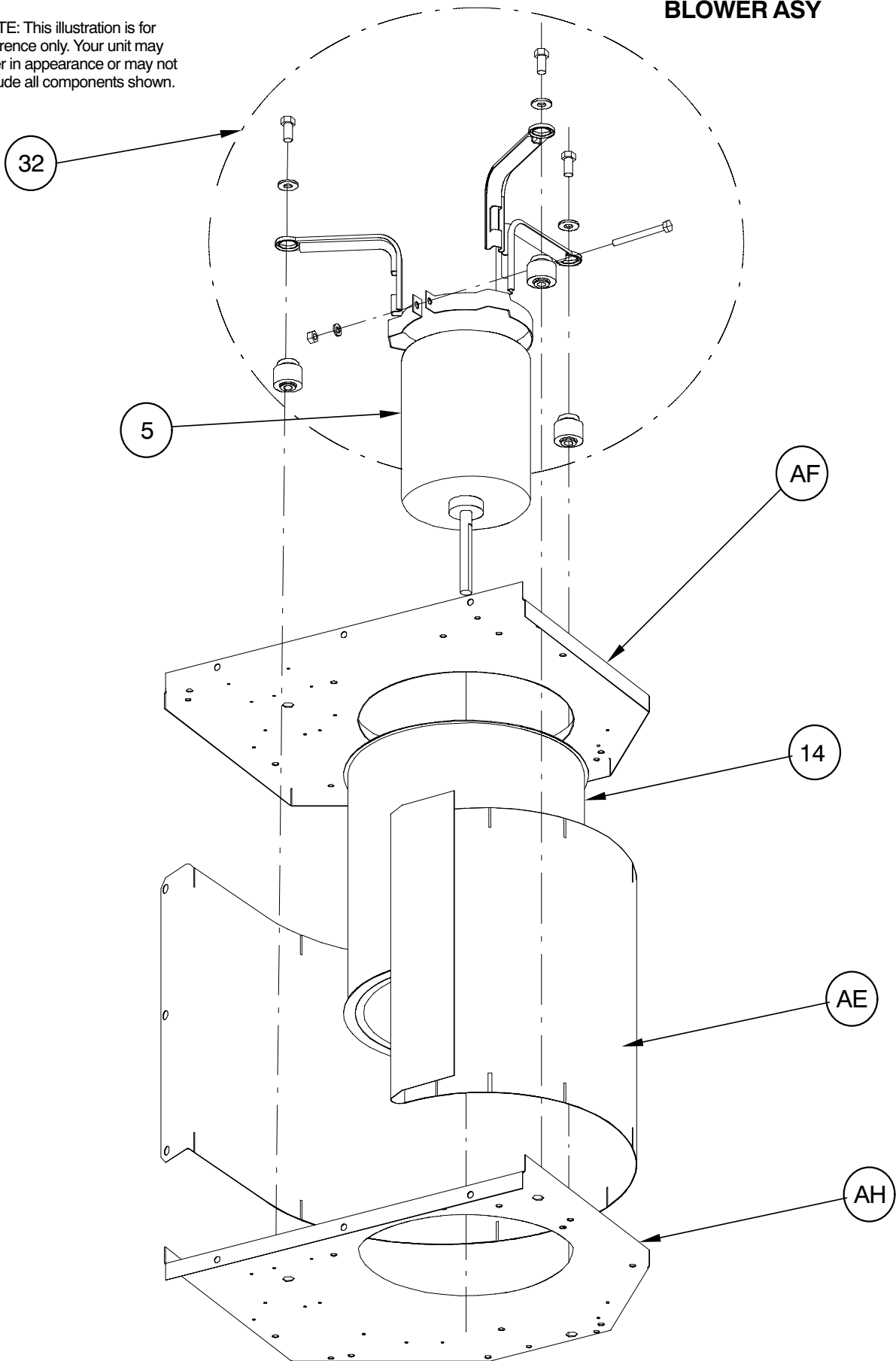


**CONTROL PANEL ASY**

50-10-23

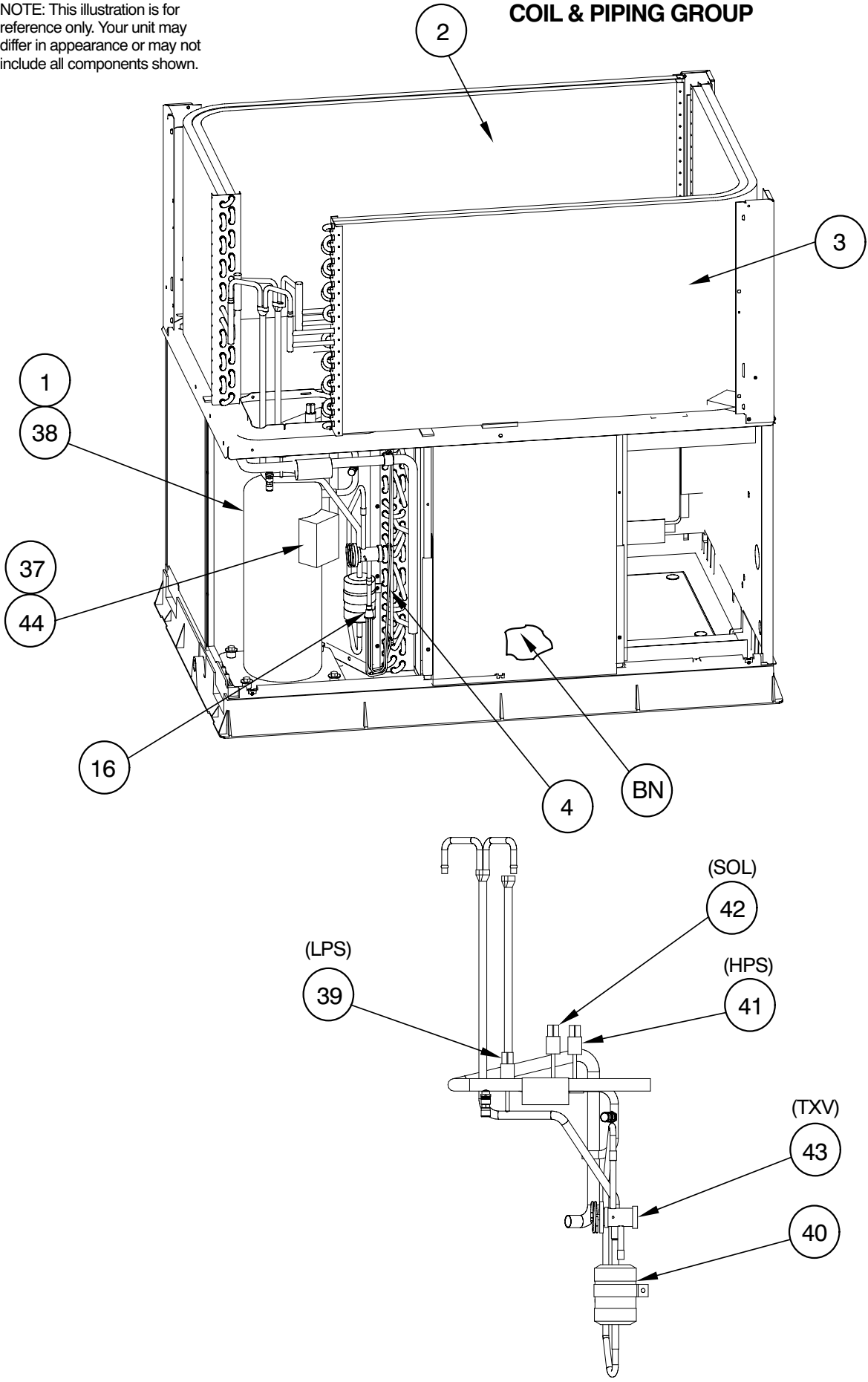
**BLOWER ASY**

NOTE: This illustration is for reference only. Your unit may differ in appearance or may not include all components shown.



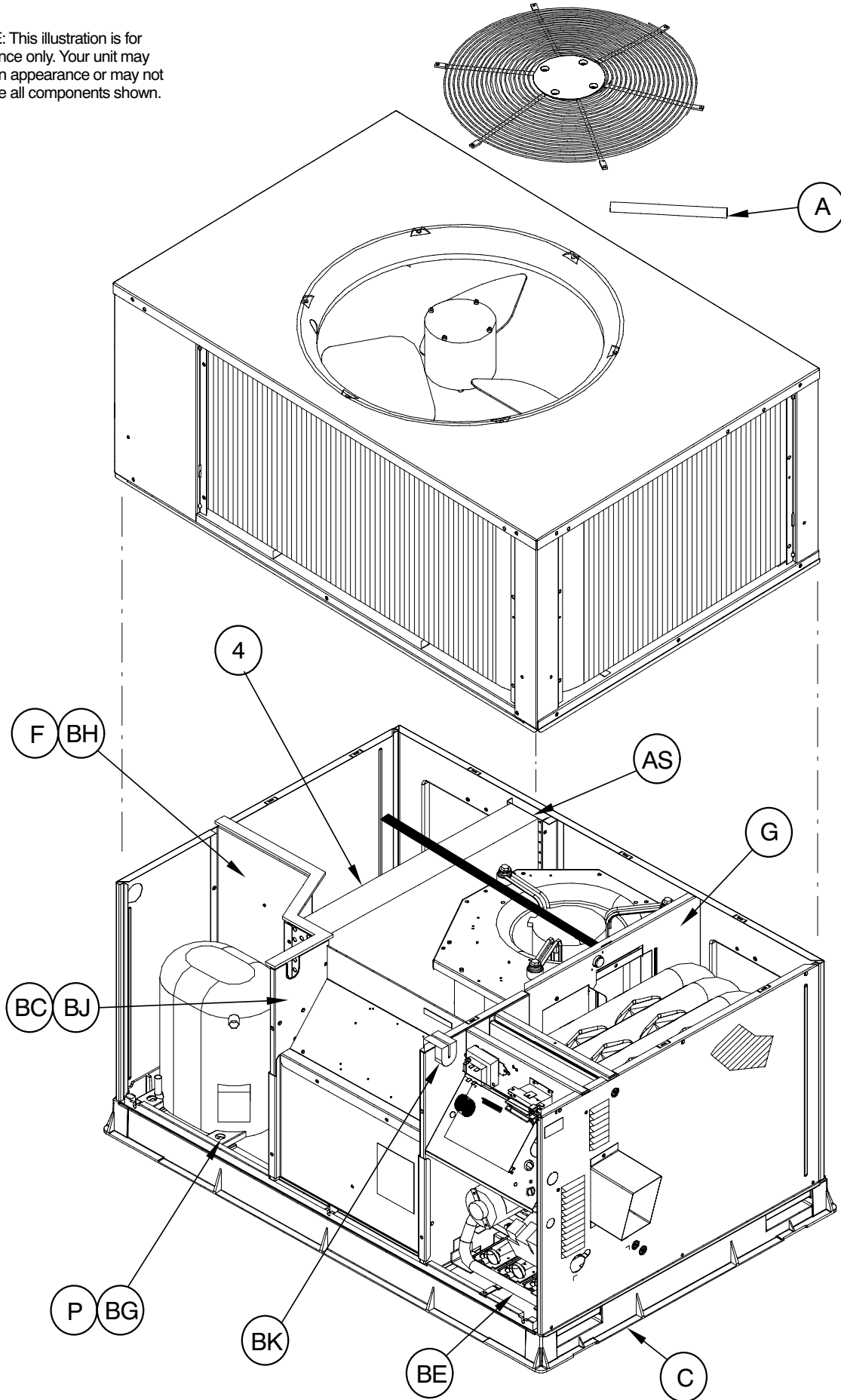
NOTE: This illustration is for reference only. Your unit may differ in appearance or may not include all components shown.

**COIL & PIPING GROUP**

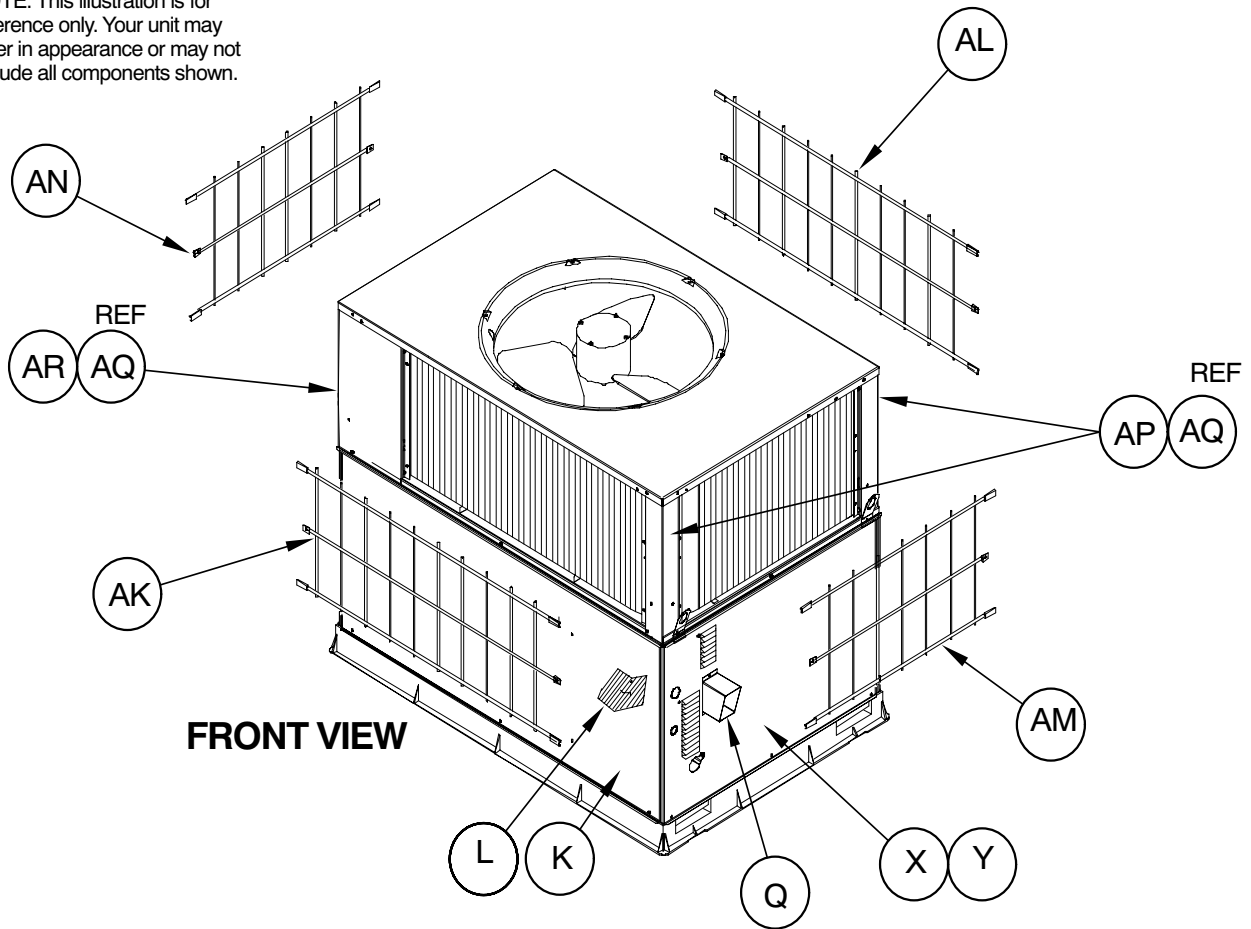




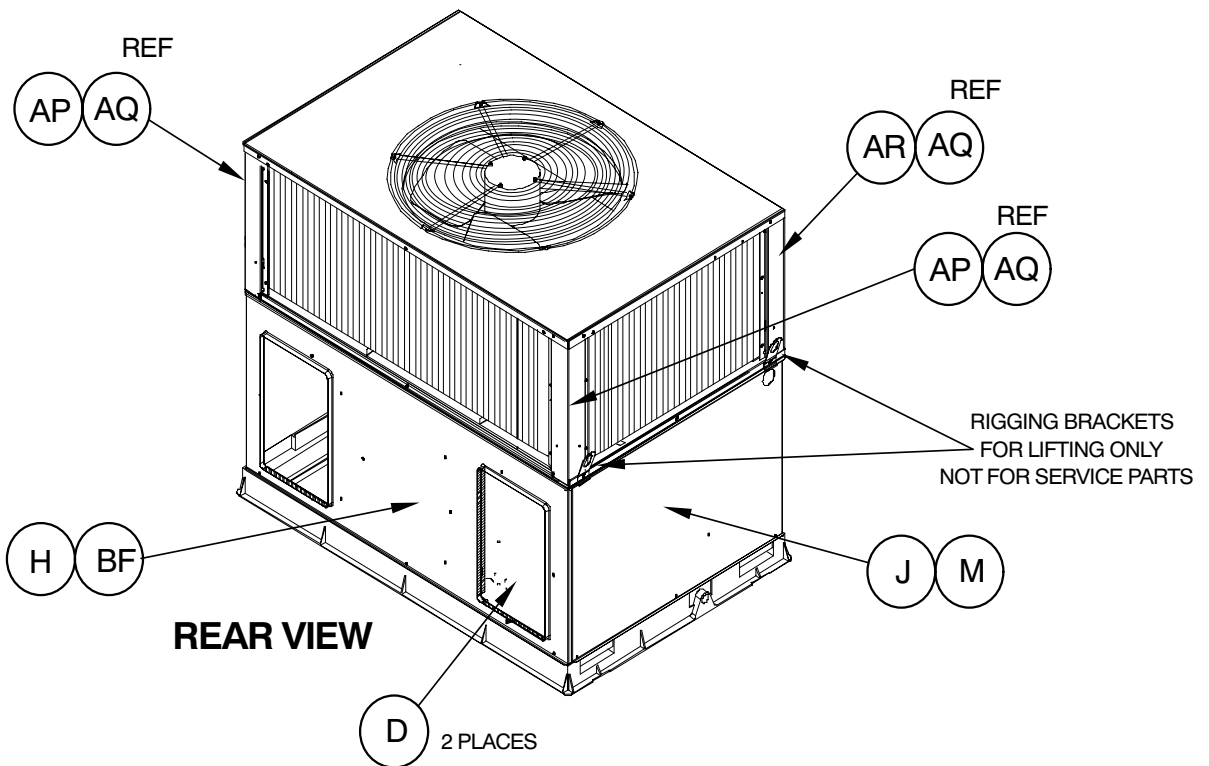
NOTE: This illustration is for reference only. Your unit may differ in appearance or may not include all components shown.



NOTE: This illustration is for reference only. Your unit may differ in appearance or may not include all components shown.



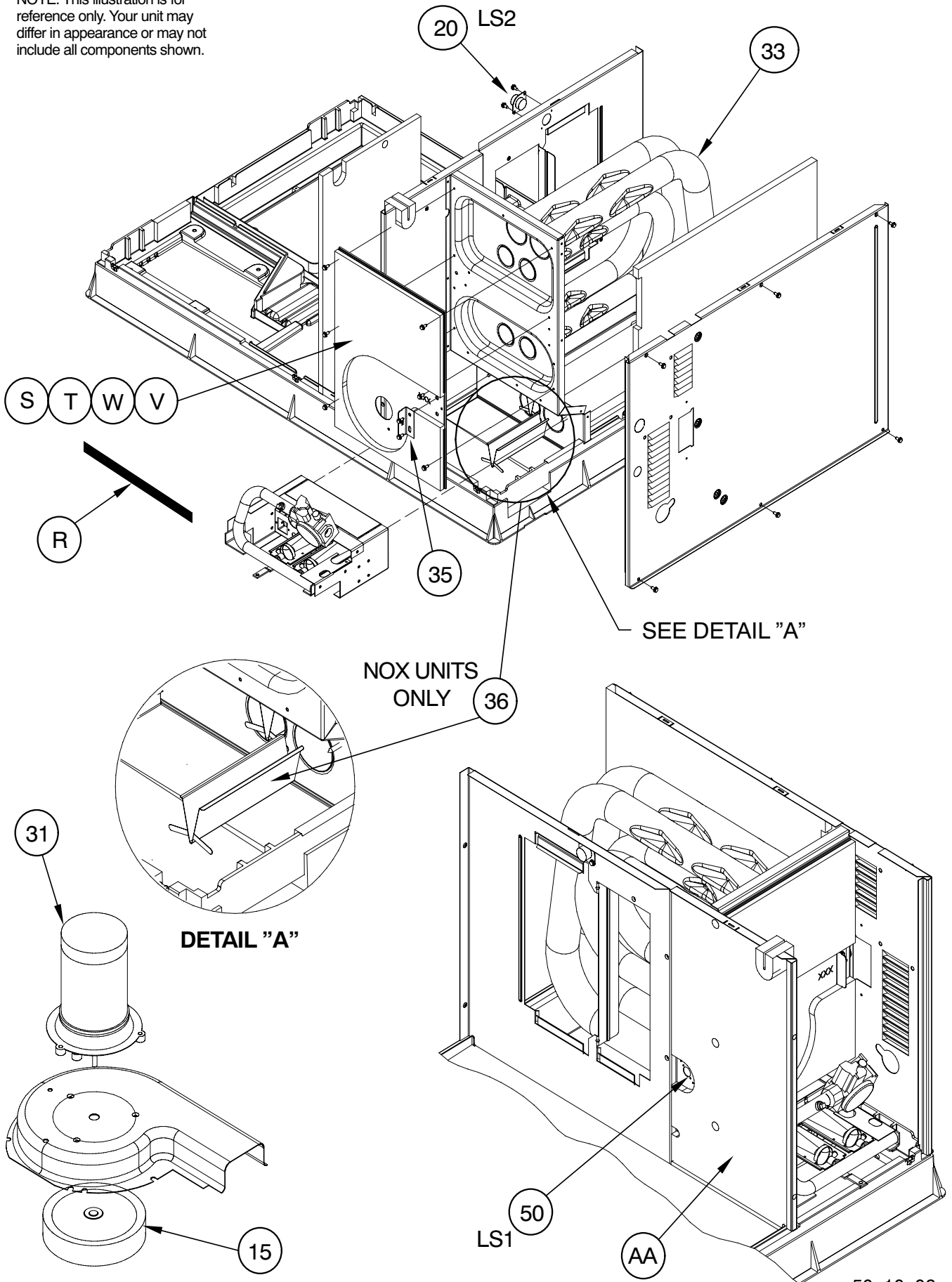
**FRONT VIEW**



**REAR VIEW**

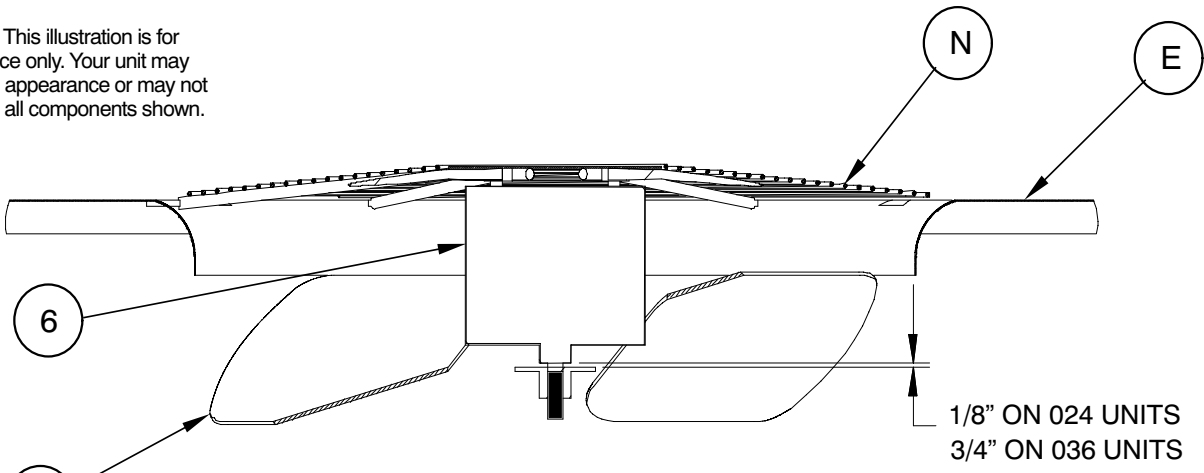
**GAS SECTION**

NOTE: This illustration is for reference only. Your unit may differ in appearance or may not include all components shown.

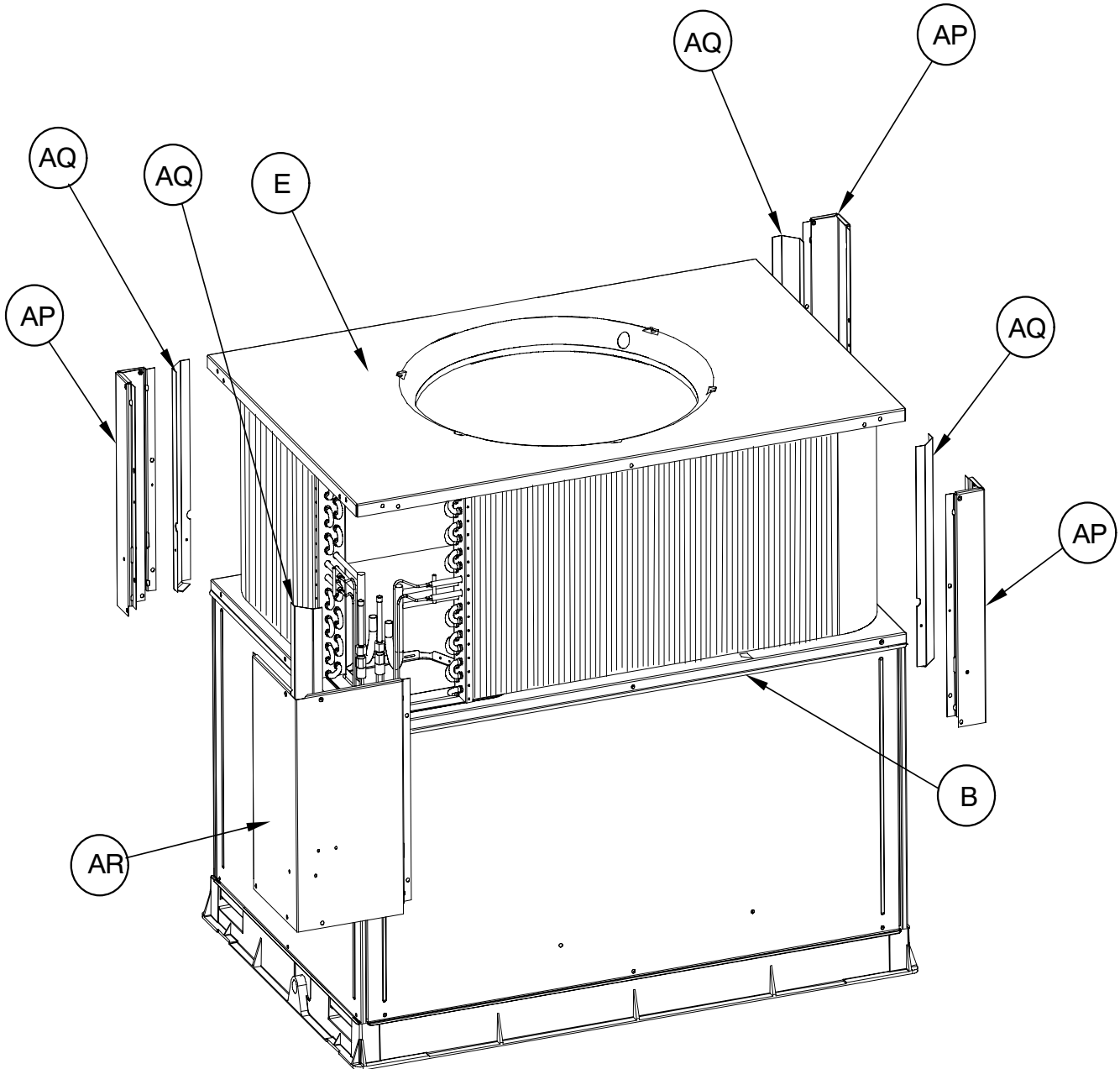


50-10-06

NOTE: This illustration is for reference only. Your unit may differ in appearance or may not include all components shown.

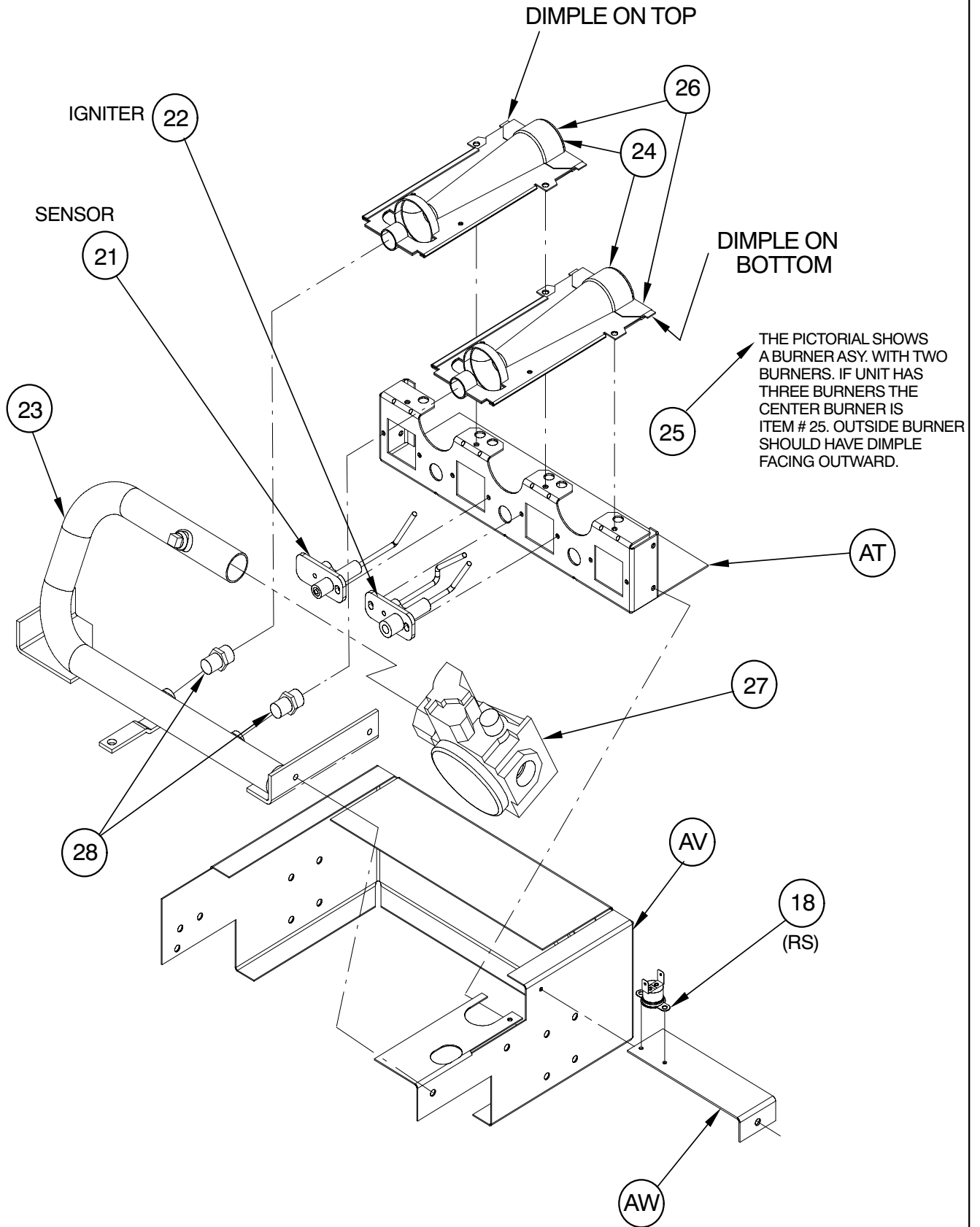


**OUTDOOR MOTOR AND FAN GAP**



NOTE: This illustration is for reference only. Your unit may differ in appearance or may not include all components shown.

### BURNER ASY



PGN5 48 & 60 PARTS LIST

KEY NO.	DESCRIPTION	FAST PARTS NO.	PGN548090K00A1	PGN548090K01A1	PGN548115K00A1	PGN548115K01A1	PGN548130K00A1	PGN548130K01A1	PGN560090K00A1	PGN560090K01A1	PGN560115K00A1	PGN560115K01A1	PGN560130K00A1	PGN560130K01A1
01	COMP ZPS40K4E-PFV-130	ZPS40K4EPFV130	1	1	1	1	1	1	*	*	*	*	*	*
01	COMP ZPS51K4E-PFV-130	ZPS51K4EPFV130	*	*	*	*	*	*	1	1	1	1	1	1
02	COIL ASY OUTDOOR 48 (LF) AL	1177332	1	1	1	1	1	1	*	*	*	*	*	*
02	COIL ASY OUTDOOR 60 (LF) AL	1177334	*	*	*	*	*	*	1	1	1	1	1	1
03	COIL ASY OUTDOOR 48 (RT) AL	1177333	1	1	1	1	1	1	*	*	*	*	*	*
03	COIL ASY OUTDOOR 60 (RT) AL	1177335	*	*	*	*	*	*	1	1	1	1	1	1
04	COIL ASY INDOOR (48)	1177328	1	1	1	1	1	1	*	*	*	*	*	*
04	COIL ASY INDOOR (60)	1177329	*	*	*	*	*	*	1	1	1	1	1	1
05	MTR BLW 1/230 1 600-1200	1177342	1	1	1	1	1	1	*	*	*	*	*	*
05	MTR BLW 1/230 1 600-1200	1177343	*	*	*	*	*	*	1	1	1	1	1	1
06	MTR CND 1/230 1/4 900-1100	1177346	1	1	1	1	1	1	*	*	*	*	*	*
06	MTR CND 1/230 1/3 1100	1177345	*	*	*	*	*	*	1	1	1	1	1	1
07	FAN C 22" 3B 1/2" 28 INT	1171219	1	1	1	1	1	1	1	1	1	1	1	1
08	CAP RN RD 370V 45+10 mfd	1173702	1	1	1	1	1	1	*	*	*	*	*	*
08	CAP RN RD 370V 80+10 mfd	1173703	*	*	*	*	*	*	1	1	1	1	1	1
10	CONTACTOR 1P 40A 24V	1173690	1	1	1	1	1	1	1	1	1	1	1	1
11	CAP RN OV 370V 4	1175500	*	*	*	*	*	*	*	*	*	*	*	1
12	IGNITION CONTROL MODULE	1177661	1	1	1	1	1	1	1	1	1	1	1	1
13	TRANS 208/230>24 40VA	1173691	1	1	1	1	1	1	1	1	1	1	1	1
14	WHEEL BLW 11X10 CW	1176057	1	1	1	1	1	1	1	1	1	1	1	1
15	WHEEL DD 5 1/4X1 CCW	1175971	1	1	1	1	1	1	1	1	1	1	1	1
16	DISTRIBUTOR 4 CKT	1174361	1	1	1	1	1	1	*	*	*	*	*	*
16	DISTRIBUTOR 6 CKT	1177010	*	*	*	*	*	*	1	1	1	1	1	1
18	SWITCH LMT	1177658	1	1	1	1	1	1	1	1	1	1	1	1
19	KIT, TAIL PIECE ASY(FLOW RSTR)	1174325	1	1	1	1	1	1	1	1	1	1	1	1
21	SENSOR ASY	1177662	1	1	1	1	1	1	1	1	1	1	1	1
22	INGNITER ASY	1177663	1	1	1	1	1	1	1	1	1	1	1	1
23	MANIFOLD 3 BURNER	1176089	1	1	1	1	1	1	1	1	1	1	1	1
24	BURNER ASY	1171095	2	2	2	2	2	2	2	2	2	2	2	2
25	BURNER ASY	1171087	1	1	1	1	1	1	1	1	1	1	1	1
26	RING INSERT	1171439	3	3	3	3	3	3	3	3	3	3	3	3
27	VALVE GAS	1175976	1	1	1	1	1	1	1	1	1	1	1	1
28	ORIFICE MAIN 38	1172235	3	3	*	*	*	*	3	3	*	*	*	*
28	ORIFICE MAIN 33	1172226	*	*	3	3	*	*	*	*	3	3	*	*
28	ORIFICE MAIN 31	1171462	*	*	*	*	3	3	*	*	*	*	3	3
31	MOTOR IDF	1177657	1	1	1	1	1	1	1	1	1	1	1	1
32	MOUNTING KIT BLW MTR (42-60)	1176088	1	1	1	1	1	1	1	1	1	1	1	1
33	TUBE ASY HT EX 90K BTU	1176041	1	*	*	*	*	*	1	*	*	*	*	*
33	TUBE ASY HT EX 90K BTU LWNX	1176042	*	1	*	*	*	*	*	1	*	*	*	*
33	TUBE ASY HT EX 115/130K BTU	1176118	*	*	1	*	1	*	*	*	1	*	1	*
33	TUBE ASY HT EX 115/130K BTU LWNX	1176119	*	*	*	1	*	1	*	*	*	1	*	1
35	BAFFLE FLUE 15MM	1177653	1	1	1	1	*	*	1	1	1	1	*	*
35	BAFFLE FLUE 11MM	1177655	*	*	*	*	1	1	*	*	*	*	1	1
36	BAFFLE LWNX	1173201	*	3	*	3	*	3	*	3	*	3	*	3
37	PLUG COMPRESSOR	1177353	1	1	1	1	1	1	1	1	1	1	1	1
38	HEATER CRANKCASE 40W 240V	1176105	1	1	1	1	1	1	1	1	1	1	1	1
39	SWITCH LOW PRESSURE	1174694	1	1	1	1	1	1	1	1	1	1	1	1
40	DRIER LIQ 08 CU IN 3/8 SWEAT	1173679	1	1	1	1	1	1	1	1	1	1	1	1
41	SWITCH HIGH PRESSURE	1174695	1	1	1	1	1	1	1	1	1	1	1	1

**PGN5 48 & 60 PARTS LIST (continued)**

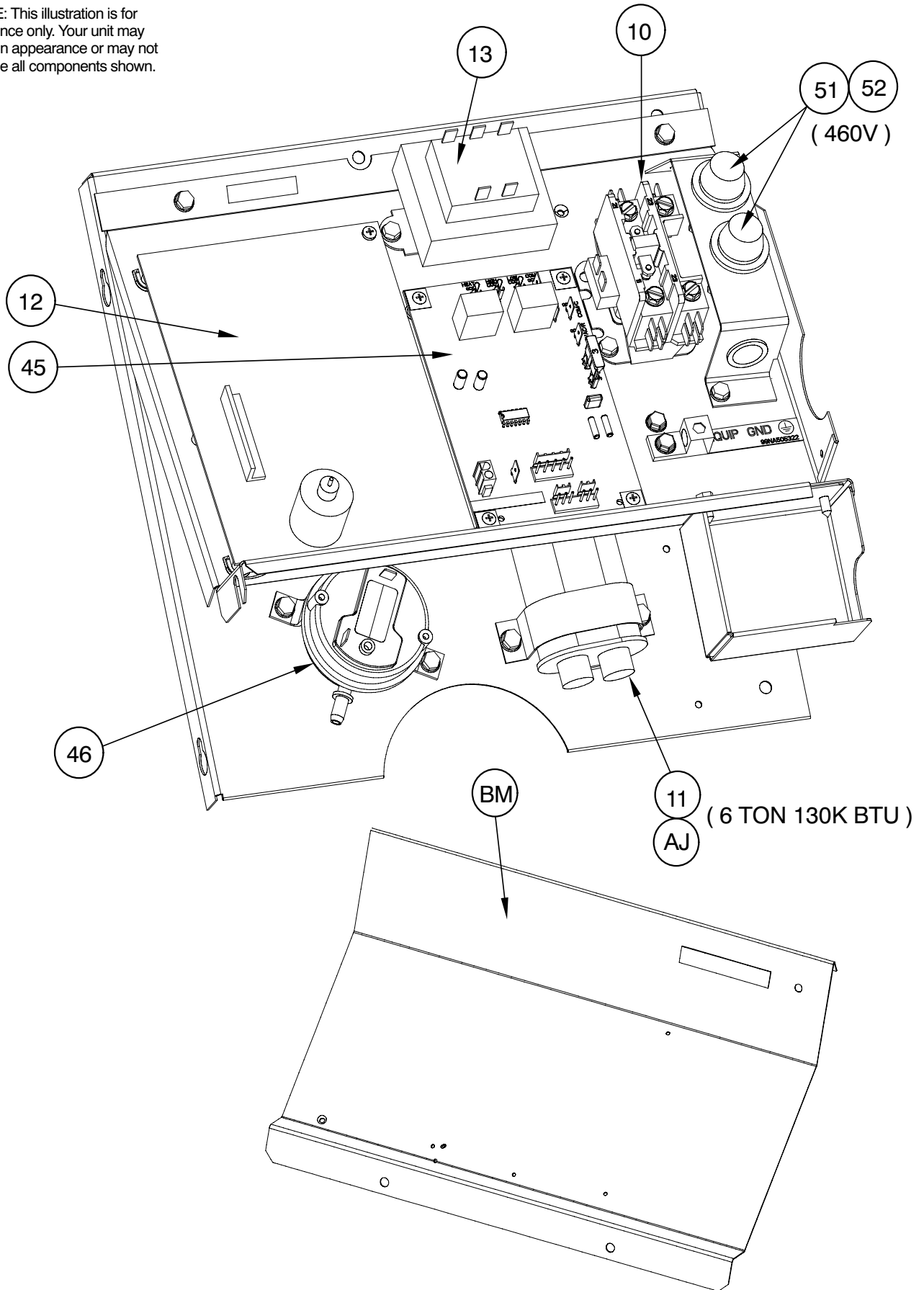
KEY NO.	DESCRIPTION	FAST PARTS NO.	PGN548090K00A1	PGN548090K01A1	PGN548115K00A1	PGN548115K01A1	PGN548130K00A1	PGN548130K01A1	PGN560090K00A1	PGN560090K01A1	PGN560115K00A1	PGN560115K01A1	PGN560130K00A1	PGN560130K01A1
42	SWITCH PRESS COMP SOL	1174413	1	1	1	1	1	1	1	1	1	1	1	1
43	VALVE TXV 4 TON	1176870	1	1	1	1	1	1	*	*	*	*	*	*
43	VALVE TXV 5 TON	1176871	*	*	*	*	*	*	1	1	1	1	1	1
44	PLUG COMP SOLENOID COIL 51"LDS	1177316	1	1	1	1	1	1	1	1	1	1	1	1
45	BOARD MOTOR	1177656	1	1	1	1	1	1	1	1	1	1	1	1
46	SWITCH PRESURE	1172197	1	1	1	1	1	1	1	1	1	1	1	1
50	SWITCH TEMP (LS1)	1176116	*	*	1	1	*	*	*	*	*	*	*	*
50	SWITCH TEMP (LS1)	1177659	*	*	*	*	1	1	*	*	*	*	*	*
50	SWITCH TEMP (LS1)	1176115	1	1	*	*	*	*	1	1	1	1	1	1
A	RACEWAY	1171428	1	1	1	1	1	1	1	1	1	1	1	1
B	INSULATION ASY TOP	1176083	1	1	1	1	1	1	1	1	1	1	1	1
C	BASE PAN ASY	1176061	1	1	1	1	1	1	1	1	1	1	1	1
D	DUCT COVER ASY	1176062	2	2	2	2	2	2	2	2	2	2	2	2
E	TOP COND	1176063	1	1	1	1	1	1	1	1	1	1	1	1
F	PARTITION COIL RETURN	1176064	1	1	1	1	1	1	1	1	1	1	1	1
G	PARTITION FAN	1176065	1	1	1	1	1	1	1	1	1	1	1	1
H	PANEL REAR DUCT	1176066	1	1	1	1	1	1	1	1	1	1	1	1
J	PANEL SIDE COMP	1176067	1	1	1	1	1	1	1	1	1	1	1	1
K	PANEL ACCESS	1176068	1	1	1	1	1	1	1	1	1	1	1	1
L	INSULATION PANEL ACCESS	1176069	1	1	1	1	1	1	1	1	1	1	1	1
M	INSULATION PANEL COMP SIDE	1176070	1	1	1	1	1	1	1	1	1	1	1	1
N	GRILLE OUTLET	1171267	1	1	1	1	1	1	1	1	1	1	1	1
P	GROMMET COMPRESSOR 1.62"DIA	1171270	4	4	4	4	4	4	4	4	4	4	4	4
Q	CAP HOOD	1175999	1	1	1	1	1	1	1	1	1	1	1	1
R	PLATE INSULATION	1176000	1	1	1	1	1	1	1	1	1	1	1	1
S	INSULATION ASY FLUE BOX	1177726	1	1	*	*	*	*	1	1	*	*	*	*
S	INSULATION ASY FLUE BOX	1176124	*	*	1	1	1	1	*	*	1	1	1	1
T	INSULATION FLUE COVER	1176002	1	1	1	1	1	1	1	1	1	1	1	1
V	SHEILD	1176003	1	1	1	1	1	1	1	1	1	1	1	1
W	INSULATION FLUE COVER	1176004	1	1	1	1	1	1	1	1	1	1	1	1
X	PANEL SIDE GAS	1176071	1	1	1	1	1	1	1	1	1	1	1	1
Y	INSULATION PANEL GAS SIDE	1176072	1	1	1	1	1	1	1	1	1	1	1	1
AA	INSULATION FAN PARTITION	1176073	1	1	1	1	1	1	1	1	1	1	1	1
AB	CLAMP	1064218	1	1	1	1	1	1	1	1	1	1	1	1
AE	SCROLL	1176074	1	1	1	1	1	1	1	1	1	1	1	1
AF	PLATE ASY FAN SIDE	1176075	1	1	1	1	1	1	1	1	1	1	1	1
AH	PLATE FAN BOTTOM	1176077	1	1	1	1	1	1	1	1	1	1	1	1
AK	GRILLE ASY 20"	1176106	1	1	1	1	1	1	*	*	*	*	*	*
AK	GRILLE ASY 24"	1177339	*	*	*	*	*	*	1	1	1	1	1	1
AJ	CLAMP	1171552	*	*	*	*	*	*	*	*	*	*	1	1
AL	GRILLE ASY 20"	1176107	2	2	2	2	2	2	*	*	*	*	*	*
AL	GRILLE ASY 24"	1177341	*	*	*	*	*	*	2	2	2	2	2	2
AM	GRILLE ASY 20"	1176108	1	1	1	1	1	1	*	*	*	*	*	*
AM	GRILLE ASY 24"	1177340	*	*	*	*	*	*	1	1	1	1	1	1
AP	PANEL CORNER 20" COND	1176109	2	2	2	2	2	2	*	*	*	*	*	*
AP	PANEL CORNER 24" COND	1177350	*	*	*	*	*	*	2	2	2	2	2	2
AQ	BRACKET SUPPORT 16"	1176110	4	4	4	4	4	4	4	4	4	4	4	4
AR	PANEL CORNER 20" HEADER	1176111	1	1	1	1	1	1	*	*	*	*	*	*
AR	PANEL CORNER 24" HEADER	1177351	*	*	*	*	*	*	1	1	1	1	1	1

**PGN5 48 & 60 PARTS LIST (continued)**

KEY NO.	DESCRIPTION	FAST PARTS NO.	PGN548090K00A1	PGN548090K01A1	PGN548115K00A1	PGN548115K01A1	PGN548130K00A1	PGN548130K01A1	PGN560090K00A1	PGN560090K01A1	PGN560115K00A1	PGN560115K01A1	PGN560130K00A1	PGN560130K01A1
AS	PARTITION COIL EVAP	1176112	1	1	1	1	1	1	1	1	1	1	1	1
AT	SUPPORT BURNER	1177731	1	1	1	1	1	1	1	1	1	1	1	1
AV	BRACKET BURNER 3 BURNER	1177729	1	1	1	1	1	1	1	1	1	1	1	1
AW	BRACKET SWITCH	1177730	1	1	1	1	1	1	1	1	1	1	1	1
BA	PANEL CORNER 20" HAIRPIN	1176113	1	1	1	1	1	1	*	*	*	*	*	*
BA	PANEL CORNER 24" HAIRPIN	1177352	*	*	*	*	*	*	1	1	1	1	1	1
BB	SUPPORT BLOWER	1176085	1	1	1	1	1	1	1	1	1	1	1	1
BC	PARTITION COIL SUPPLY	1176084	1	1	1	1	1	1	1	1	1	1	1	1
BD	SUPPORT BLOWER	1176784	1	1	1	1	1	1	1	1	1	1	1	1
BE	SHEILD BASE PAN	1176086	1	1	1	1	1	1	1	1	1	1	1	1
BF	INSULATION RETURN DUCT PANEL	1176087	1	1	1	1	1	1	1	1	1	1	1	1
BG	COMPRESSOR MTG BOLT	1176731	4	4	4	4	4	4	4	4	4	4	4	4
BH	INSULATION COIL PARTITION	1176153	1	1	1	1	1	1	1	1	1	1	1	1
BJ	INSULATION COIL PARTITION	1176786	1	1	1	1	1	1	1	1	1	1	1	1
BK	GROMMET	1176613	1	1	1	1	1	1	1	1	1	1	1	1
BL	PARTITION COIL EVAP	1176114	1	1	1	1	1	1	1	1	1	1	1	1
BM	BLOCKOFF PANEL UPPER	1177326	1	1	1	1	1	1	1	1	1	1	1	1
BN	BLOCKOFF PANEL LOWER	1177325	1	1	1	1	1	1	1	1	1	1	1	1
PARTS NOT SHOWN														
)	HARNESS ASY 208/230V	1177652	1	1	1	1	1	1	1	1	1	1	1	1
)	WIRE ASY INGNITION	1177654	1	1	1	1	1	1	1	1	1	1	1	1
)	WIRE IGNITION	1175498	1	1	1	1	1	1	1	1	1	1	1	1



NOTE: This illustration is for reference only. Your unit may differ in appearance or may not include all components shown.

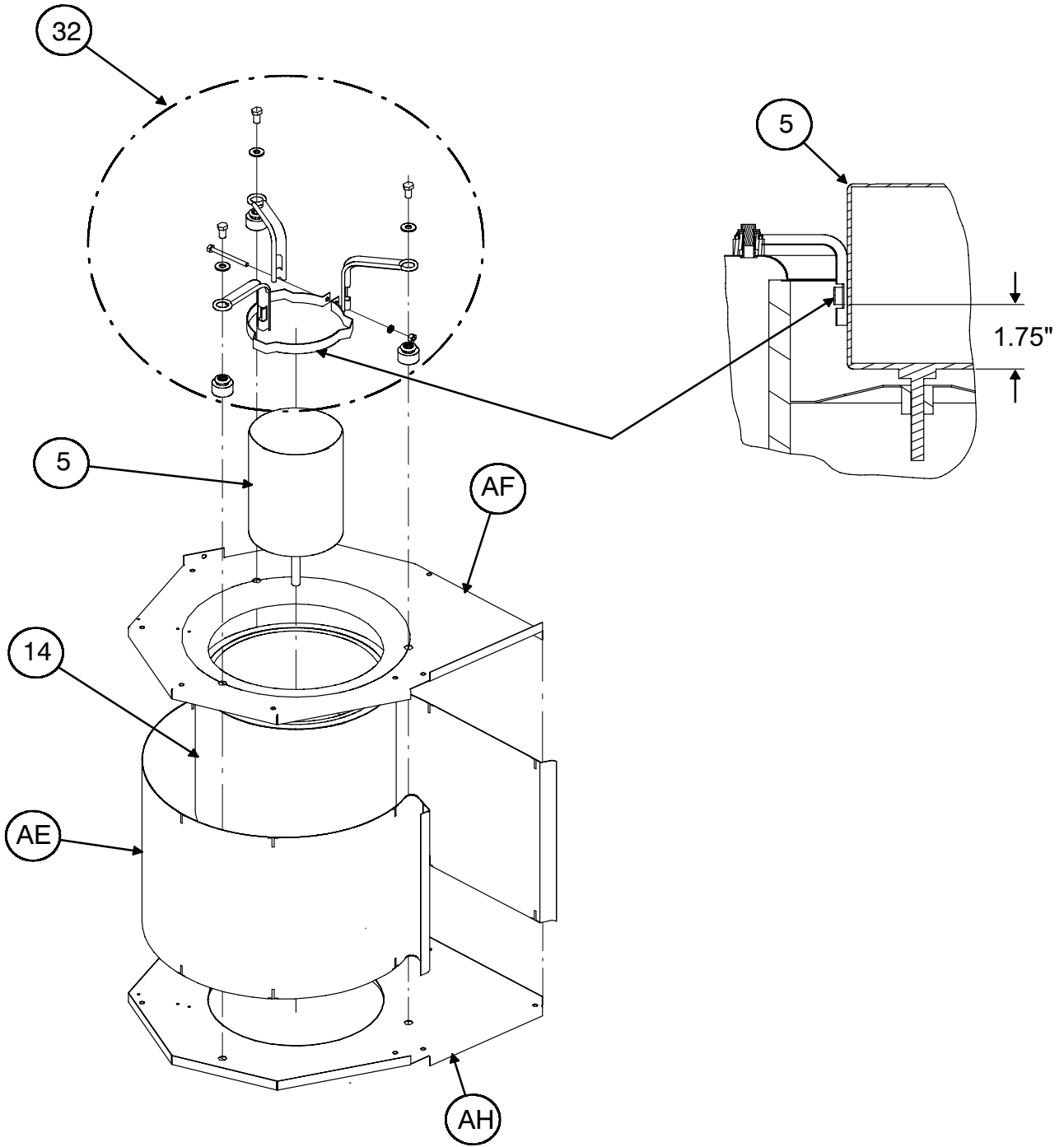


**CONTROL PANEL ASY**

50-10-24

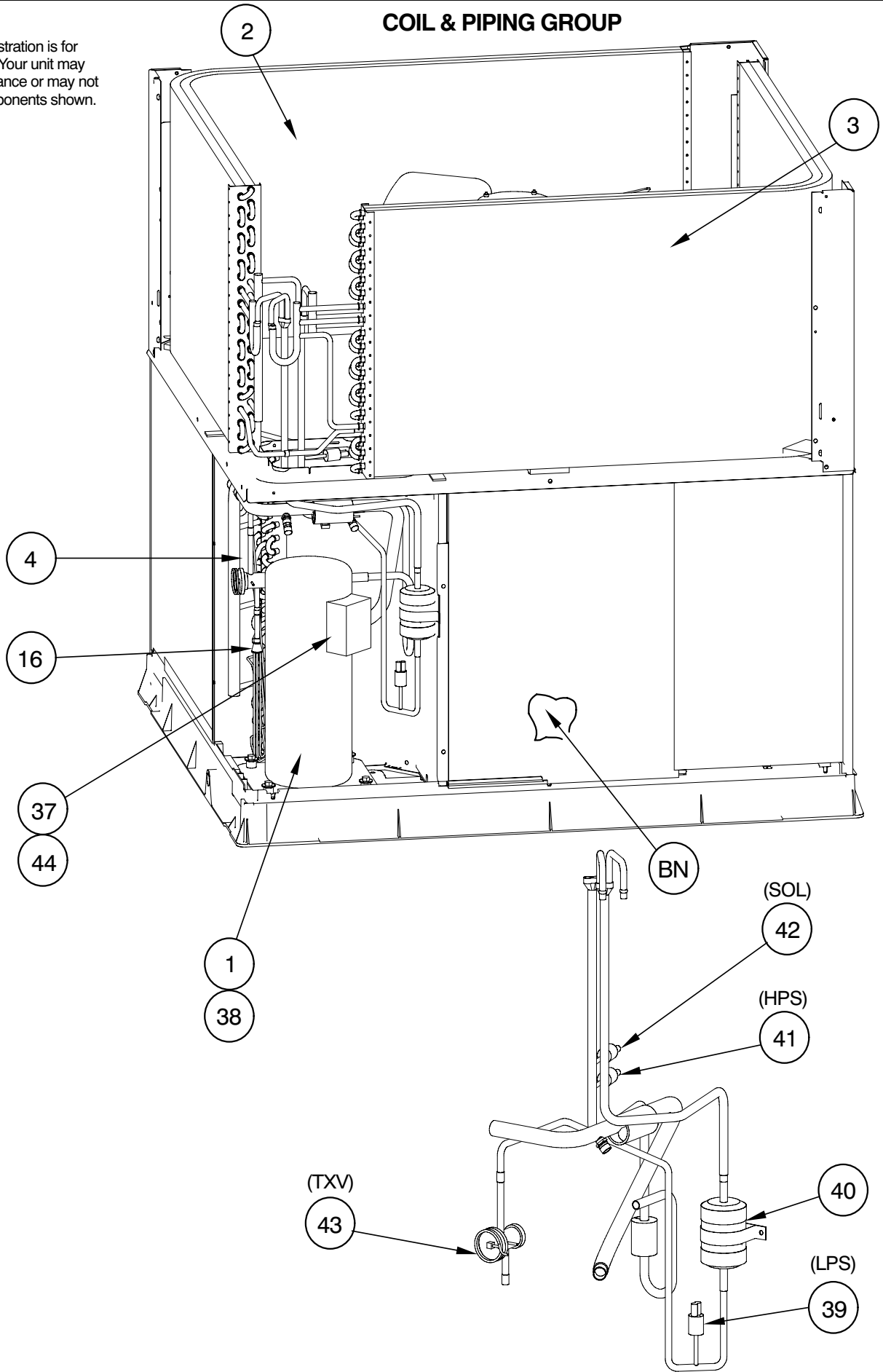
NOTE: This illustration is for reference only. Your unit may differ in appearance or may not include all components shown.

### BLOWER ASY



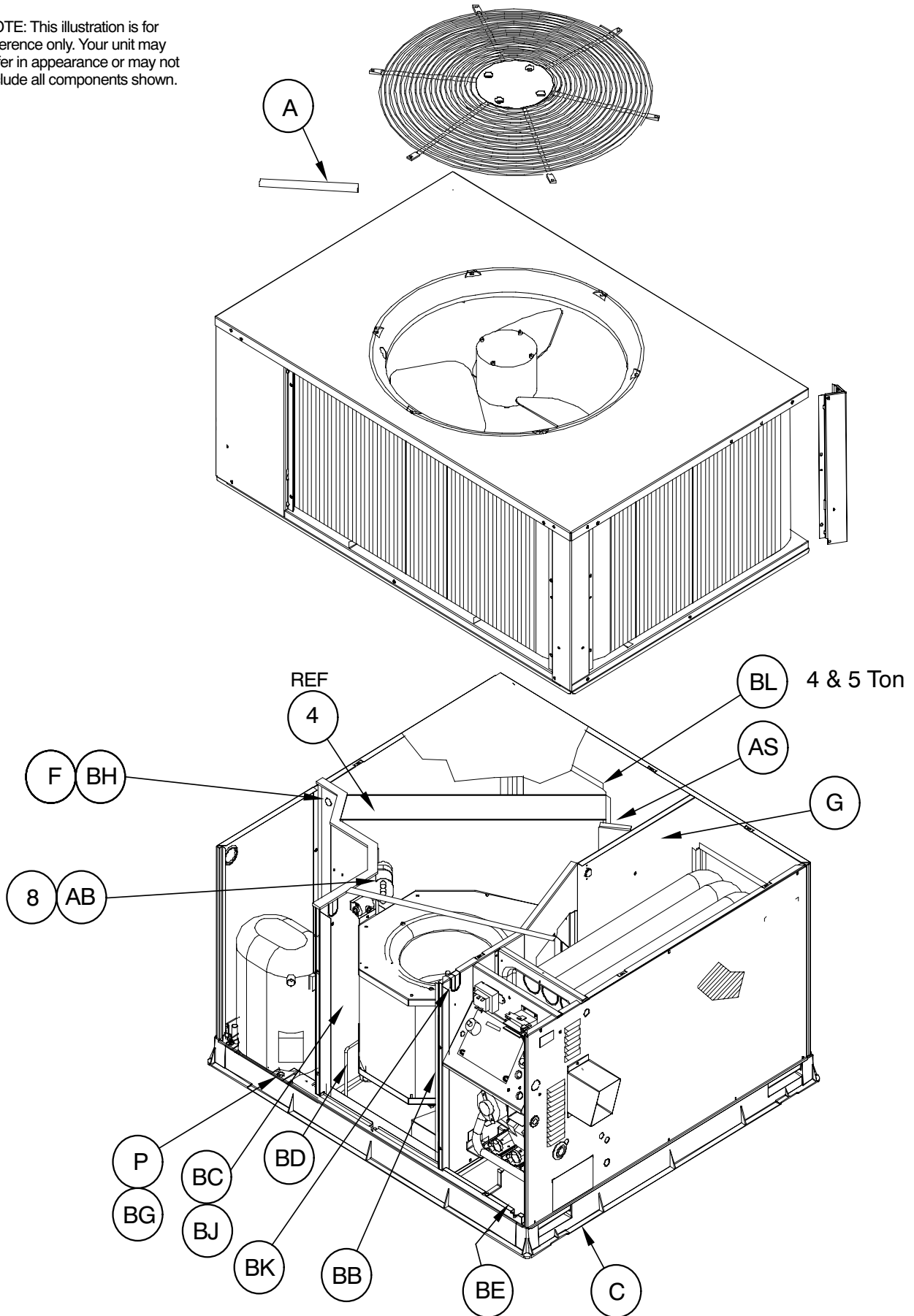
COIL & PIPING GROUP

NOTE: This illustration is for reference only. Your unit may differ in appearance or may not include all components shown.

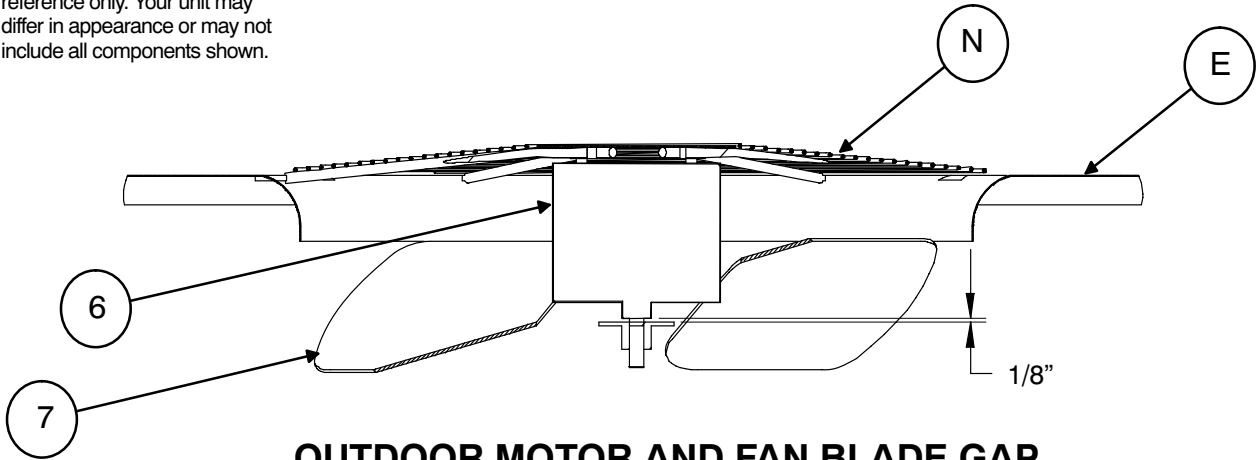


50-10-18

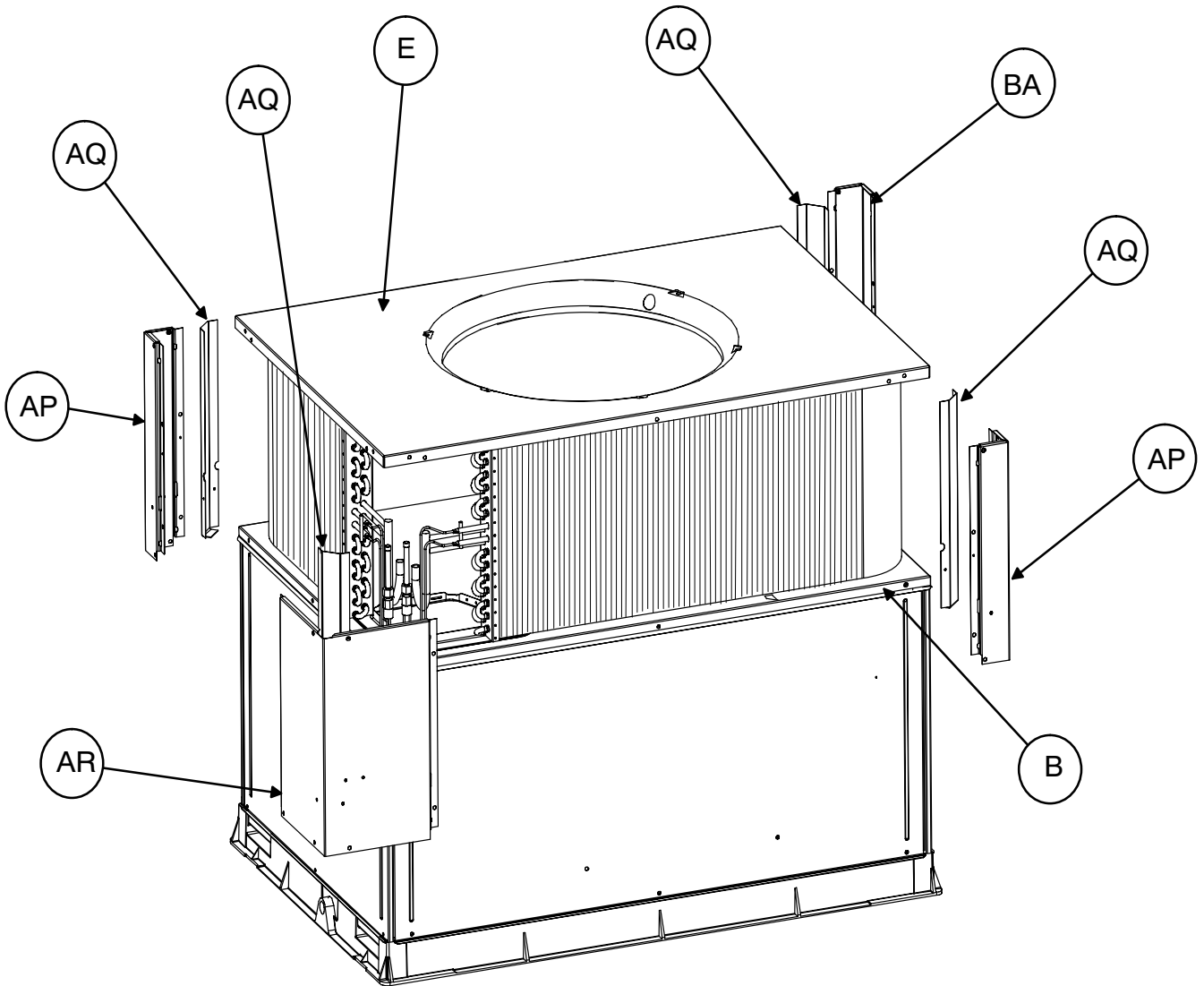
NOTE: This illustration is for reference only. Your unit may differ in appearance or may not include all components shown.



NOTE: This illustration is for reference only. Your unit may differ in appearance or may not include all components shown.

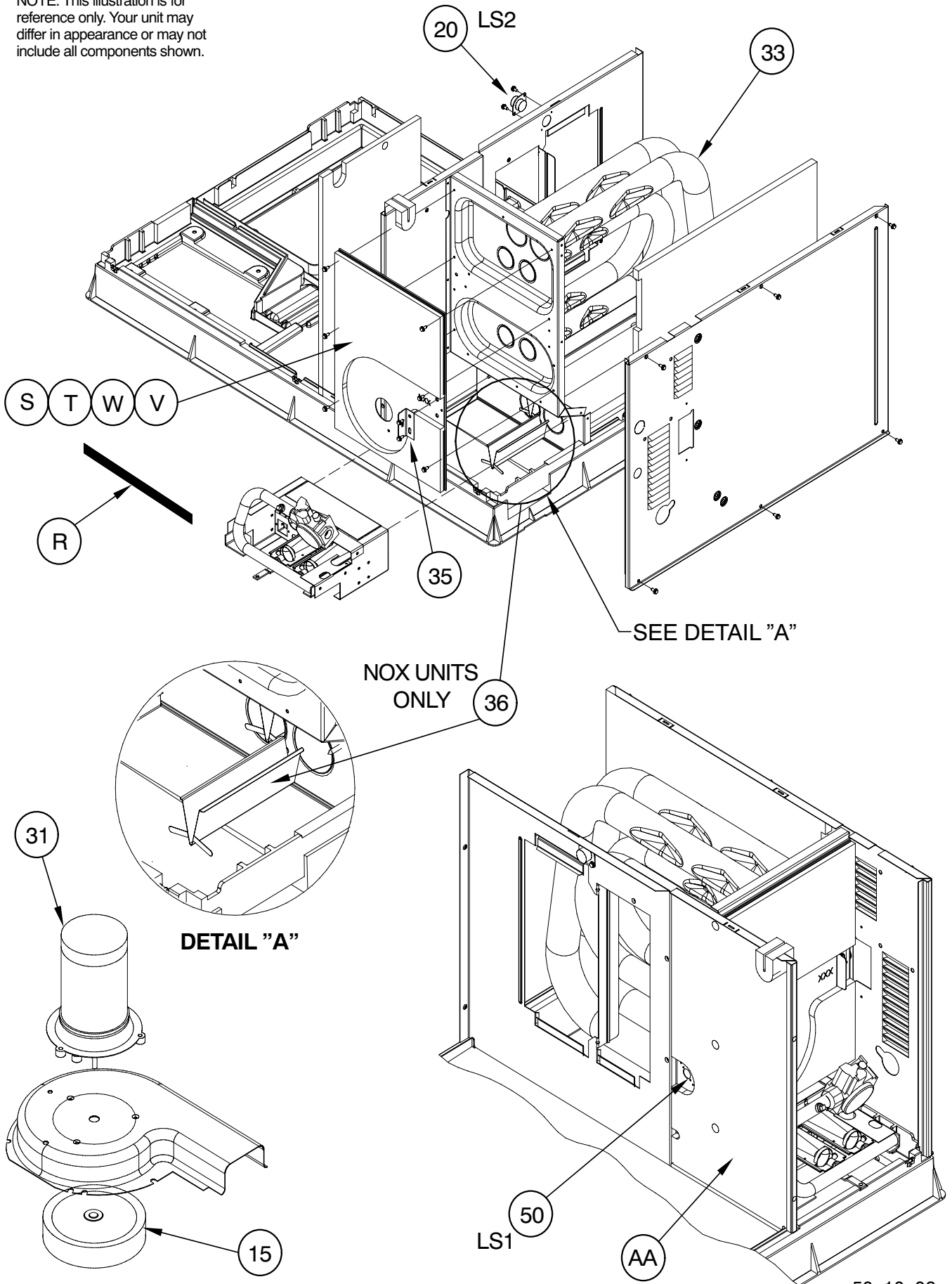


**OUTDOOR MOTOR AND FAN BLADE GAP**



**GAS SECTION**

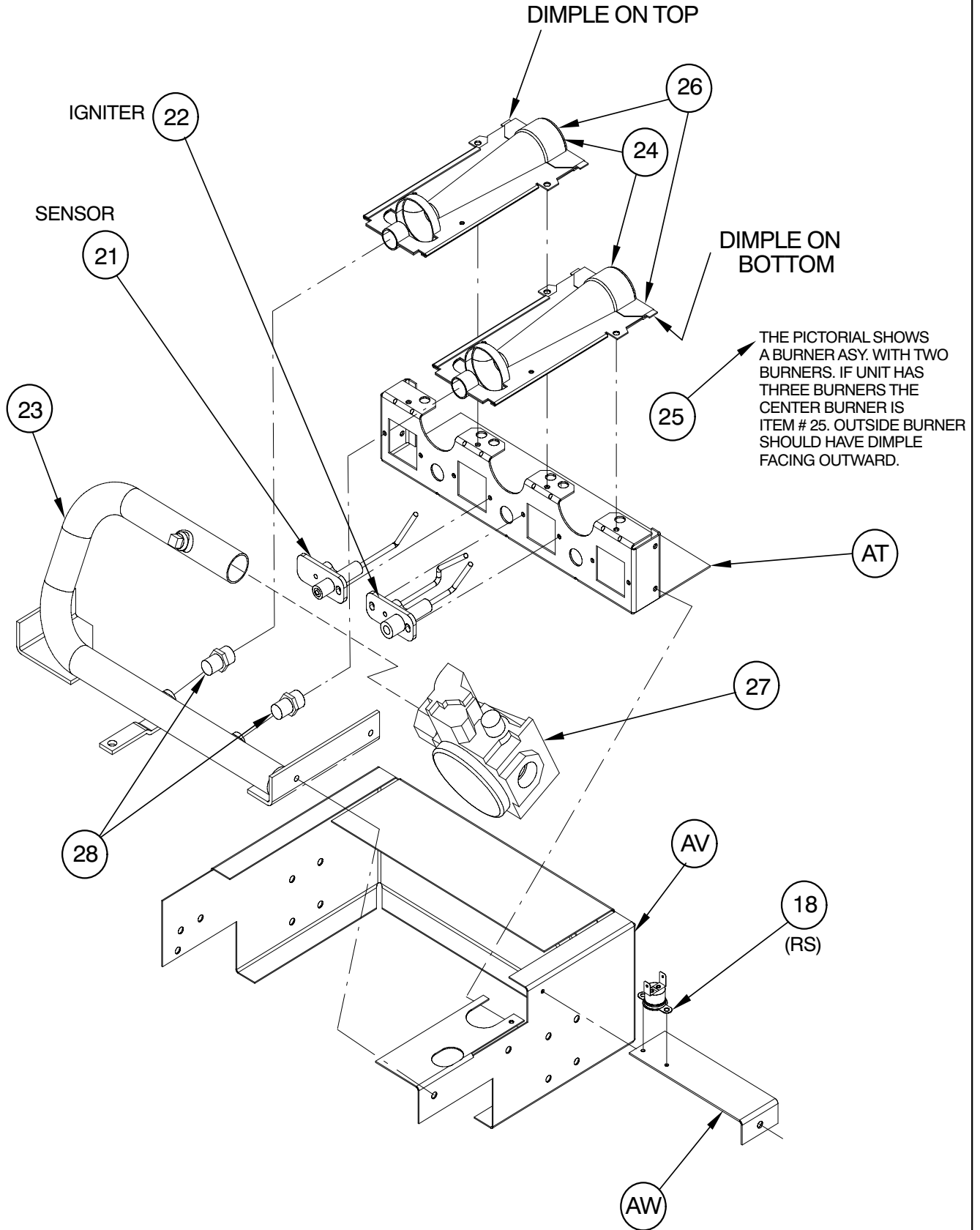
NOTE: This illustration is for reference only. Your unit may differ in appearance or may not include all components shown.



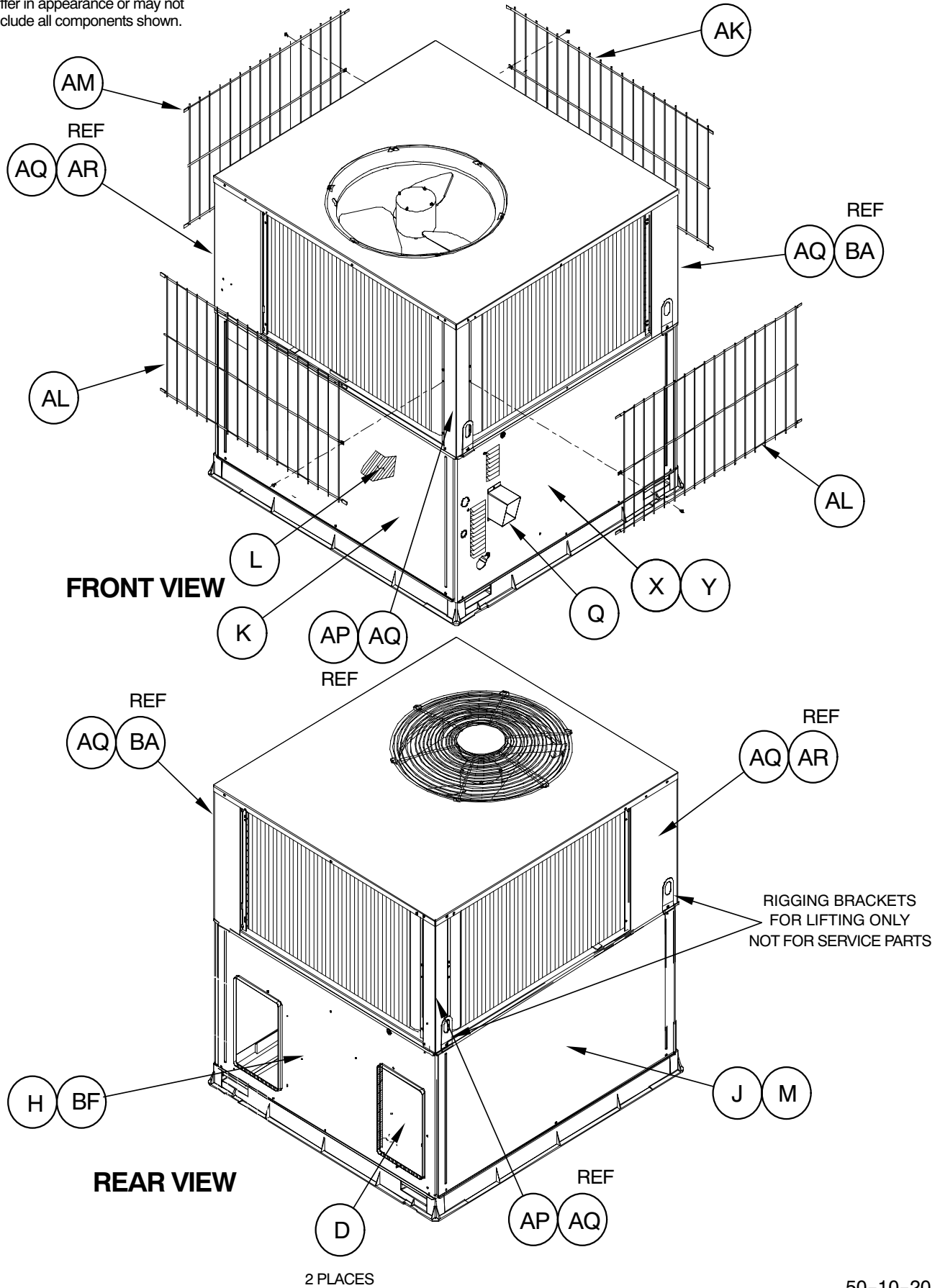
50-10-06

NOTE: This illustration is for reference only. Your unit may differ in appearance or may not include all components shown.

### BURNER ASY



NOTE: This illustration is for reference only. Your unit may differ in appearance or may not include all components shown.



2 PLACES

50-10-20



PGN5 24 - 60 CHARGING CHART

**Charging Procedure**

- 1- Measure Discharge line pressure by attaching a gauge to the service port.
- 2- Measure the Liquid line temperature by attaching a temperature sensing device to it.
- 3- Insulate the temperature sensing device so that the Outdoor Ambient doesn't affect the reading.
- 4- Refer to the required Subcooling in the table based on the model size and the Outdoor Ambient temperature.
- 5- Interpolate if the Outdoor temperature lies in between the table values. Extrapolate if the temperature lies beyond the table range.
- 6- Find the Pressure Value corresponding to the the measured Pressure on the Compressor Discharge line.
- 7- Read across from the Pressure reading to obtain the Liquid line temperature for a required Subcooling.
- 8- Add Charge if the measured temperature is higher than the liquid line temperature value in the table.
- 9- Add Charge using the service connection on the Suction line of the Compressor.

Model Size	Required Subcooling °F (°C)				
	Outdoor Ambient Temperature				
	75 (24)	82 (28)	85 (29)	95 (35)	105 (41)
<b>024</b>	15.5 ( 8.6 )	15.6 ( 8.7 )	15.7 ( 8.7 )	15.8 ( 8.8 )	15.9 ( 8.9 )
<b>036</b>	14 ( 7.7 )	13.9 ( 7.7 )	13.9 ( 7.7 )	13.8 ( 7.7 )	13.7 ( 7.6 )
<b>048</b>	21 ( 11.6 )	20.8 ( 11.5 )	20.7 ( 11.5 )	20.4 ( 11.3 )	20.2 ( 11.2 )
<b>060</b>	16.2 ( 9 )	16.6 ( 9.2 )	16.8 ( 9.3 )	17.3 ( 9.6 )	17.8 ( 9.9 )

Required Liquid Line Temperature for a Specific Subcooling (R-410A)										
Pressure (psig)	Required Subcooling (°F)				Pressure (kPa)	Required Subcooling (°C)				
	5	10	15	25		3	6	8	14	
174	56	51	46	36	1200	13	11	8	2	
181	59	54	49	39	1248	15	12	9	4	
188	61	56	51	41	1296	16	13	10	5	
195	63	58	53	43	1344	17	14	12	6	
202	65	60	55	45	1393	18	16	13	7	
209	67	62	57	47	1441	20	17	14	9	
216	69	64	59	49	1489	21	18	15	10	
223	71	66	61	51	1537	22	19	16	11	
230	73	68	63	53	1586	23	20	17	12	
237	75	70	65	55	1634	24	21	19	13	
244	77	72	67	57	1682	25	22	20	14	
251	79	74	69	59	1730	26	23	21	15	
259	81	76	71	61	1786	27	24	22	16	
267	83	78	73	63	1841	28	26	23	17	
275	85	80	75	65	1896	29	27	24	18	
283	87	82	77	67	1951	31	28	25	19	
291	89	84	79	69	2006	32	29	26	20	
299	91	86	81	71	2061	33	30	27	22	
308	93	88	83	73	2123	34	31	28	23	
317	95	90	85	75	2185	35	32	29	24	
326	97	92	87	77	2247	36	33	30	25	
335	99	94	89	79	2309	37	34	31	26	
344	101	96	91	81	2372	38	35	33	27	
353	102	97	92	82	2434	39	36	34	28	
363	104	99	94	84	2503	40	37	35	29	
373	106	101	96	86	2571	41	39	36	30	
383	108	103	98	88	2640	42	40	37	31	
393	110	105	100	90	2709	43	41	38	32	
403	112	107	102	92	2778	44	42	39	33	
413	114	109	104	94	2847	45	43	40	34	
423	116	111	106	96	2916	46	44	41	35	
433	117	112	107	97	2985	47	45	42	36	
443	119	114	109	99	3054	48	46	43	37	
453	121	116	111	101	3123	49	47	44	38	
463	122	117	112	102	3192	50	47	45	39	
473	124	119	114	104	3261	51	48	46	40	
483	126	121	116	106	3330	52	49	47	41	
493	127	122	117	107	3399	53	50	47	42	
503	129	124	119	109	3468	54	51	48	43	
513	130	125	120	110	3537	55	52	49	44	
523	132	127	122	112	3606	56	53	50	44	
533	133	128	123	113	3675	56	54	51	45	

CONNECTION WIRING DIAGRAM

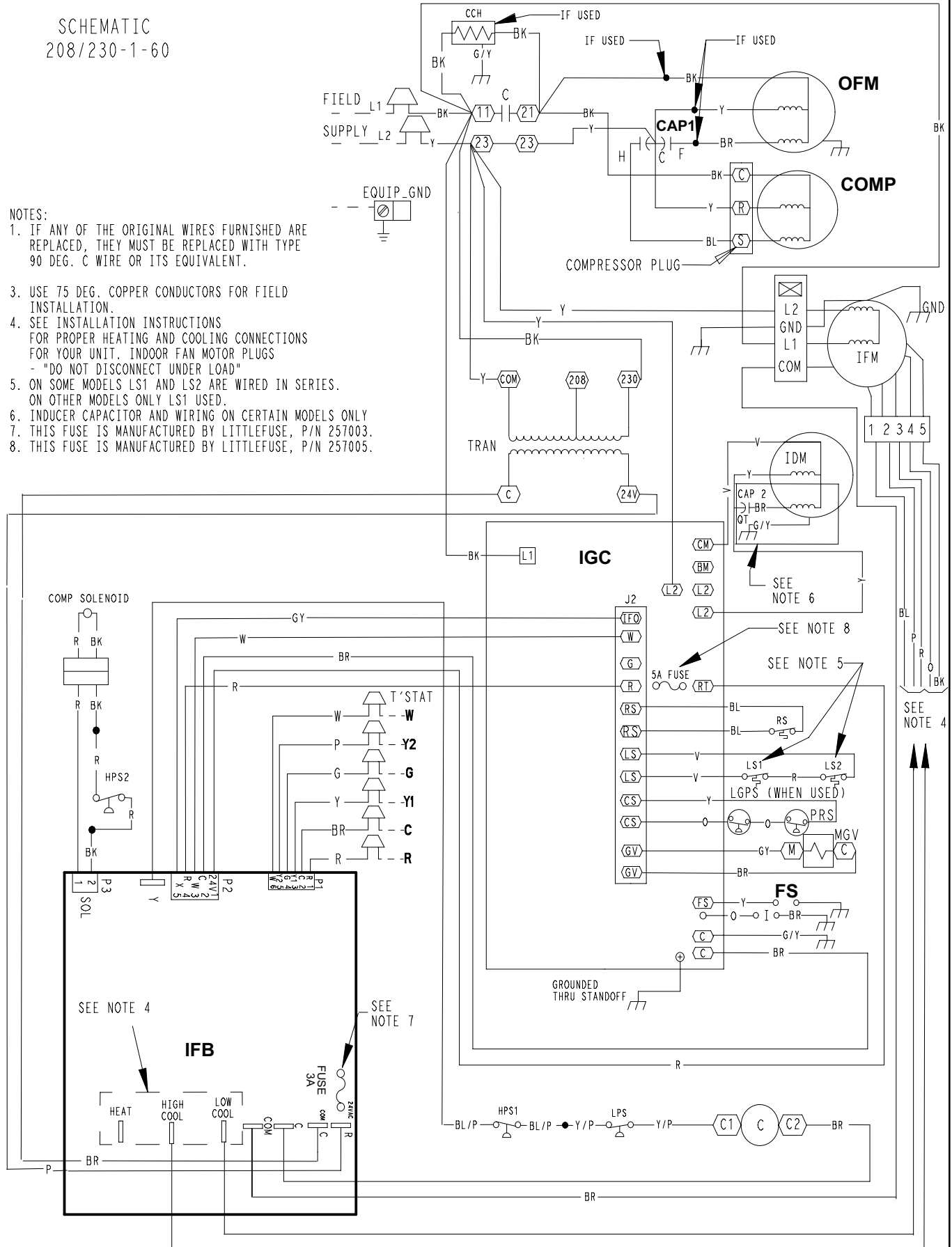
48E7500078

DANGER: ELECTRICAL SHOCK HAZARD DISCONNECT POWER BEFORE SERVICING

SCHEMATIC  
208/230-1-60

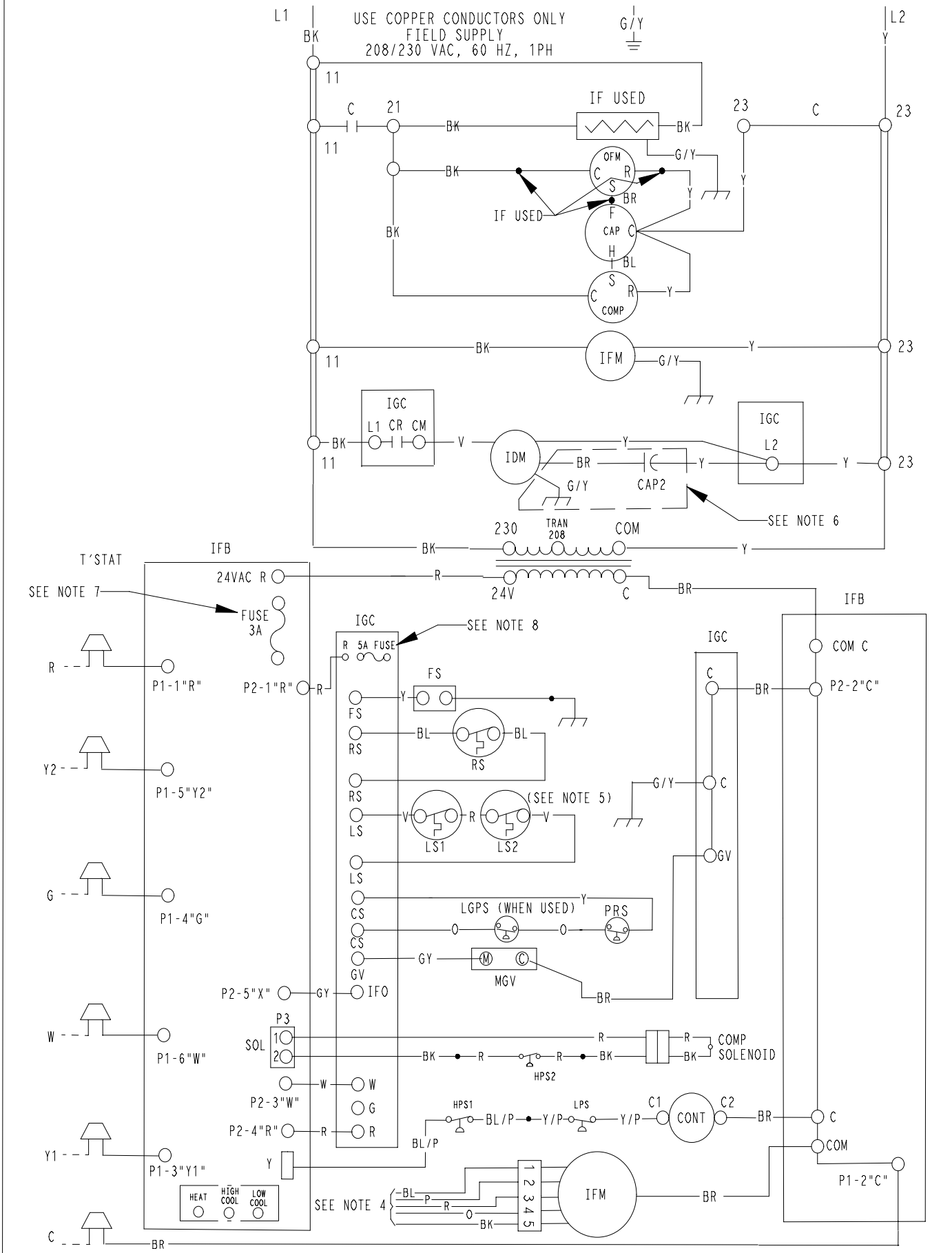
NOTES:

1. IF ANY OF THE ORIGINAL WIRES FURNISHED ARE REPLACED, THEY MUST BE REPLACED WITH TYPE 90 DEG. C WIRE OR ITS EQUIVALENT.
3. USE 75 DEG. COPPER CONDUCTORS FOR FIELD INSTALLATION.
4. SEE INSTALLATION INSTRUCTIONS FOR PROPER HEATING AND COOLING CONNECTIONS FOR YOUR UNIT. INDOOR FAN MOTOR PLUGS - "DO NOT DISCONNECT UNDER LOAD"
5. ON SOME MODELS LS1 AND LS2 ARE WIRED IN SERIES. ON OTHER MODELS ONLY LS1 USED.
6. INDUCER CAPACITOR AND WIRING ON CERTAIN MODELS ONLY
7. THIS FUSE IS MANUFACTURED BY LITTLEFUSE, P/N 257003.
8. THIS FUSE IS MANUFACTURED BY LITTLEFUSE, P/N 257005.

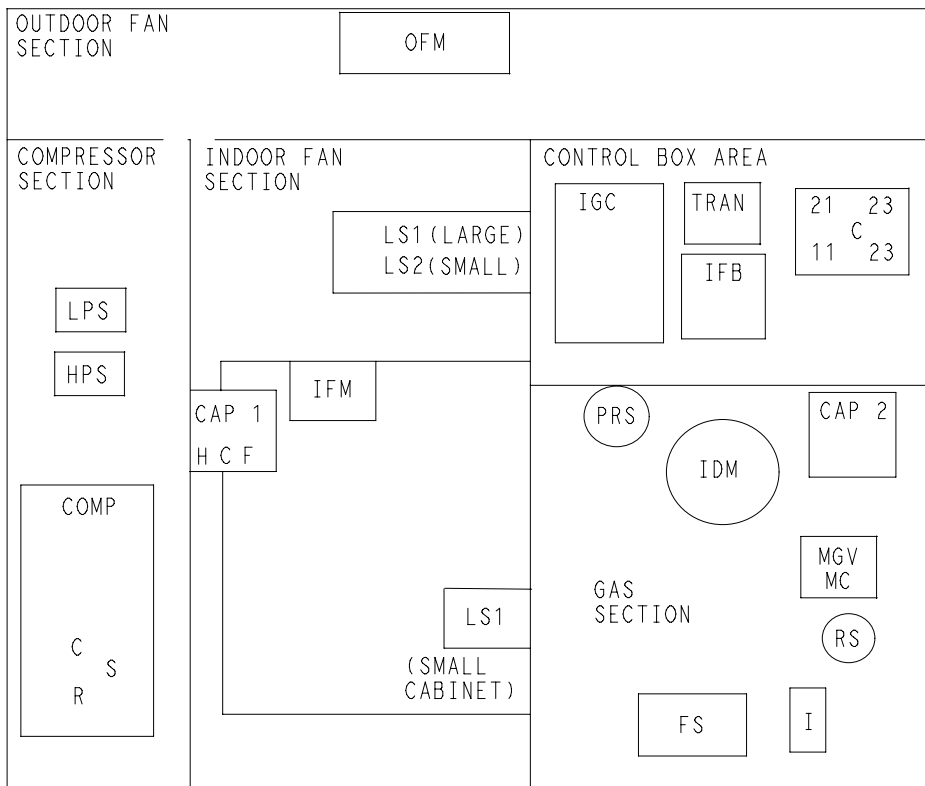


LADDER WIRING DIAGRAM

DANGER: ELECTRICAL SHOCK HAZARD DISCONNECT POWER BEFORE SERVICING

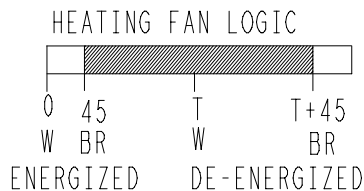
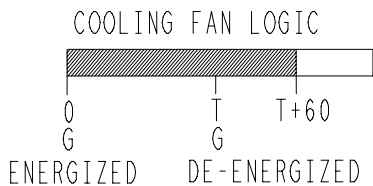


1Ø UNIT COMPONENT ARRANGEMENT



COLOR CODE

BK	BLACK
BL	BLUE
BR	BROWN
GY	GRAY
G	GREEN
O	ORANGE
P	PINK
R	RED
V	VIOLET
W	WHITE
Y	YELLOW



LEGEND

△	FIELD SPLICE	FS	FLAME SENSOR	BLR	BLOWER RELAY
◻	TERMINAL (MARKED)	FU	FUSE	C	CONTACTOR
○	TERMINAL (UNMARKED)	GND	GROUND	CAP 1	CAPACITOR, COMP
○	SPLICE	GVR	GAS VALVE RELAY	CAP 2	CAPACITOR, INDUCER
◻	SPLICE (MARKED)	HV TRAN	HIGH VOLTAGE TRANSFORMER	COMP	COMPRESSOR MOTOR
—	FACTORY WIRING	I	IGNITOR	CR	COMBUSTION RELAY
- -	FIELD CONTROL WIRING	IFB	INDOOR FAN BOARD	EQUIP	EQUIPMENT
— —	FIELD POWER WIRING	IGC	INTERGRATED GAS UNIT CONTROLLER	LS2	SECONDARY LIMIT SWITCH
---	ACCESSORY OR OPTIONAL WIRING	IDM	INDUCED DRAFT MOTOR	MGV	MAIN GAS VALVE
—	TO INDICATE COMMON	IFM	INDOOR FAN MOTOR	OFM	OUTDOOR FAN MOTOR
—	POTENTIAL ONLY:	LGPS	LOW GAS PRESSURE SWITCH (WHEN USED)	PRS	PRESSURE SWITCH
—	NOT TO REPRESENT WIRING	LS1	PRIMARY LIMIT SWITCH	QT	QUADRUPLE TERMINAL
				RS	ROLLOUT SWITCH
				TRAN	TRANSFORMER
				T'STAT	THERMOSTAT