

# Parts List, Charging Chart, Wiring Diagrams

**PGN4 30 - 60 SERIES  
3 Phase**

**R-410A PACKAGE GAS ELECTRIC  
UNITS**



## TABLE OF CONTENTS

PARTS LIST 30 & 36 -----	2 - 7
PARTS DRAWING 30 & 36 -----	8 - 15
PARTS LIST 42 - 60 -----	16 - 21
PARTS DRAWING 42 - 60 -----	22 - 29
CHARGING CHART 30 - 60 -----	30
WIRING DIAGRAMS -----	31 - 34



**PGN4 30 & 36 ( 208 / 230V ) 3Phase PARTS LIST**

KEY NO.	DESCRIPTION	FAST PARTS NO.	PGN430040H00A1	PGN430040H01A1	PGN430060H00A1	PGN430060H01A1	PGN436060H00A1	PGN436060H01A1	PGN436090H00A1	PGN436090H01A1
01	COMP ZP24K5E-TF5-130	ZP24K5ETF5130	1	1	1	1	*	*	*	*
01	COMP ZP29K5E-TF5-130	ZP29K5ETF5130	*	*	*	*	1	1	1	1
02	COIL ASY OUTDOOR 24-30 AL LF	1177741	1	1	1	1	*	*	*	*
02	COIL ASY OUTDOOR 36 AL LF	1177743	*	*	*	*	1	1	1	1
03	COIL ASY OUTDOOR 24-30 AL RT	1177742	1	1	1	1	*	*	*	*
03	COIL ASY OUTDOOR 36 AL RT	1177744	*	*	*	*	1	1	1	1
04	COIL ASY INDOOR 30	1177746	1	1	1	1	*	*	*	*
04	COIL ASY INDOOR 36	1177747	*	*	*	*	1	1	1	1
05	MTR BLT 1/230 1/2 VS 600-1200	1177014	1	1	1	1	*	*	*	*
05	MTR BLT 1/230 3/4 VS 600-1200	1177595	*	*	*	*	1	1	1	1
06	MTR CND 1/230 1/8 825	1173699	1	1	1	1	*	*	*	*
06	MTR CND 1/230 1/8 825	1175625	*	*	*	*	1	1	1	1
07	FAN C 22" 3B 1/2" 24 INT	1171220	1	1	1	1	*	*	*	*
07	FAN C 22" 3B 1/2" 28 INT	1171219	*	*	*	*	1	1	1	1
08	CAP RN OV 370V 5	1172149	1	1	1	1	1	1	1	1
10	CONTACTOR 2P 20A 24V	1171160	1	1	1	1	1	1	1	1
11	CAP RN OV 370V 4	1175500	*	*	*	*	*	*	1	1
12	IGNITION CONTROL MODULE	1177661	1	1	1	1	1	1	1	1
13	TRANS 208/230>24 40VA	1173691	1	1	1	1	1	1	1	1
14	WHEEL DD 10X10x1/2 CW	1175970	1	1	1	1	*	*	*	*
14	WHEEL DD 11x10x1/2 CW	1173815	*	*	*	*	1	1	1	1
15	WHEEL DD 5 1/4X1 CCW	1175971	1	1	1	1	1	1	*	*
15	WHEEL DD 5 3/4X1 CCW	1175873	*	*	*	*	*	*	1	1
16	DISTRIBUTOR 4 CIRCUIT R-410A	1174361	*	*	*	*	1	1	1	1
16	DISTRIBUTOR 4 CIRCUIT R-410A	1174359	1	1	1	1	*	*	*	*
18	SWITCH TEMP (RS)	1177658	1	1	1	1	1	1	1	1
19	KIT, TAIL PIECE ASY(FLOW RSTR)	1174325	1	1	1	1	1	1	1	1
20	SWITCH LMT 225-50 (LS2)	1171484	1	1	1	1	1	1	1	1
21	SENSOR ASY	1177662	1	1	1	1	1	1	1	1
22	INGNITER ASY	1177663	1	1	1	1	1	1	1	1
23	MANIFOLD 2 BURNER	1175975	1	1	1	1	1	1	*	*
23	MANIFOLD 3 BURNER	1176040	*	*	*	*	*	*	1	1
24	BURNER ASY	1171095	2	2	2	2	2	2	2	2
25	BURNER ASY	1171087	*	*	*	*	*	*	1	1
26	RING INSERT	1171439	2	2	2	2	2	2	3	3
27	VALVE GAS	1175976	1	1	1	1	1	1	1	1
28	ORIFICE MAIN 44	1175977	2	2	*	*	*	*	*	*
28	ORIFICE MAIN 38	1172235	*	*	2	2	2	2	3	3
31	MTR IDF 1/230V 1/25 3200	1177657	*	*	*	*	*	*	*	*
31	MTR IDF 1/230V 1/15 3200	1177798	1	1	1	1	1	1	*	*
31	MTR IDF 1/230V 1/16 3450	1177799	*	*	*	*	*	*	1	1
32	MOUNTING KIT BLW MTR	1175958	1	1	1	1	1	1	1	1
33	TUBE ASY HT EX 40K BTU	1175980	1	*	*	*	*	*	*	*
33	TUBE ASY HT EX 40K BTU LWNX	1175981	*	1	*	*	*	*	*	*

**PGN4 30 & 36 ( 208 / 230V ) 3Phase PARTS LIST (continued)**

KEY NO.	DESCRIPTION	FAST PARTS NO.	PGN430040H00A1	PGN430040H01A1	PGN430060H00A1	PGN430060H01A1	PGN436060H00A1	PGN436060H01A1	PGN436090H00A1	PGN436090H01A1
			*	*	1	*	1	*	*	*
33	TUBE ASY HT EX 60K BTU	1175982	*	*	1	*	1	*	*	*
33	TUBE ASY HT EX 60K BTU LWNX	1175983	*	*	*	1	*	1	*	*
33	TUBE ASY HT EX 90K BTU	1176041	*	*	*	*	*	*	1	*
33	TUBE ASY HT EX 90K BTU LWNX	1176042	*	*	*	*	*	*	*	1
35	BAFFLE FLUE 28MM	1172689	1	1	*	*	*	*	*	*
35	BAFFLE FLUE 24MM	1172688	*	*	1	1	1	1	*	*
35	BAFFLE FLUE	1176044	*	*	*	*	*	*	1	1
36	BAFFLE LOW NOX	1173201	*	2	*	2	*	2	*	3
37	PLUG COMPRESSOR	1177022	1	1	1	1	1	1	1	1
38	HTR CC WP 40W 240V TCH268	1176161	*	*	*	*	1	1	1	1
39	SWITCH LOW PRESSURE	1174412	1	1	1	1	1	1	1	1
40	DRIER LIQ 08 CU IN 3/8 SWEAT	1173679	1	1	1	1	1	1	1	1
41	SWITCH HIGH PRESSURE	1174407	1	1	1	1	1	1	1	1
43	VALVE TXV 2 TON	1177736	1	1	1	1	*	*	*	*
43	VALVE TXV 3 TON	1176869	*	*	*	*	1	1	1	1
45	BOARD MOTOR	1177800	1	1	1	1	1	1	1	1
46	SWITCH PRESURE	1172197	1	1	1	1	1	1	1	1
50	SWITCH TEMP (LS1)	1177660	1	1	1	1	1	1	*	*
50	SWITCH TEMP (LS1)	1176103	*	*	*	*	*	*	1	1
A	RACEWAY	1171428	1	1	1	1	1	1	1	1
B	INSULATION ASY TOP EVAP	1175988	1	1	1	1	1	1	1	1
C	BASE PAN ASY	1175989	1	1	1	1	1	1	1	1
D	DUCT COVER ASY	1175990	2	2	2	2	2	2	2	2
E	TOP COVER CONDENSER	1175991	1	1	1	1	1	1	1	1
F	PARTITION COIL	1175992	1	1	1	1	1	1	1	1
G	PARTITION FAN	1175993	1	1	1	1	1	1	1	1
H	PANEL REAR DUCT	1175994	1	1	1	1	1	1	1	1
J	PANEL COMP SIDE	1175995	1	1	1	1	1	1	1	1
K	PANEL ACCESS	1175996	1	1	1	1	1	1	1	1
L	INSULATION ACCESS PANEL	1175997	1	1	1	1	1	1	1	1
M	INSULATION PANEL COMP	1175998	1	1	1	1	1	1	1	1
N	GRILLE OUTLET	1171267	1	1	1	1	1	1	1	1
P	GROMMET COMPRESSOR 1.62"DIA	1171270	4	4	4	4	4	4	4	4
Q	CAP HOOD	1175999	1	1	1	1	1	1	1	1
R	PLATE INSULATION	1176000	1	1	1	1	1	1	1	1
S	INSULATION ASY FLUE BOX 40K BTU	1177725	1	1	*	*	*	*	*	*
S	INSULATION ASY FLUE BOX 60K BTU	1177727	*	*	1	1	1	1	*	*
S	INSULATION ASY FLUE BOX 90K BTU	1177727	*	*	*	*	*	*	1	1
T	INSULATION FLUE COVER	1176002	1	1	1	1	1	1	1	1
V	SHEILD	1176003	1	1	1	1	1	1	1	1
W	INSULATION FLUE COVER	1176004	1	1	1	1	1	1	1	1
X	PANEL GAS SIDE	1176005	1	1	1	1	1	1	1	1
Y	INSULATION PANEL GAS SIDE	1176006	1	1	1	1	1	1	1	1
AA	INSULATION FAN PARTITION	1176008	1	1	1	1	1	1	1	1

**PGN4 30 & 36 ( 208 / 230V ) 3Phase PARTS LIST (continued)**

KEY NO.	DESCRIPTION	FAST PARTS NO.	PGN430040H00A1	PGN430040H01A1	PGN430060H00A1	PGN430060H01A1	PGN436060H00A1	PGN436060H01A1	PGN436090H00A1	PGN436090H01A1
AB	CLAMP CAPACITOR	1171552	1	1	1	1	1	1	2	2
AE	SCROLL BLW	1176010	1	1	1	1	1	1	1	1
AF	PLATE ASY BLW SIDE	1176011	1	1	1	1	*	*	*	*
AF	PLATE ASY BLW SIDE	1176266	*	*	*	*	1	1	1	1
AH	PLATE BLW	1176012	1	1	1	1	*	*	*	*
AH	PLATE BLW	1177737	*	*	*	*	1	1	1	1
AK	GRILLE ASY 12"	1176013	1	1	1	1	*	*	*	*
AK	GRILLE ASY 18"	1177739	*	*	*	*	1	1	1	1
AL	GRILLE ASY 12"	1176014	1	1	1	1	*	*	*	*
AL	GRILLE ASY 18"	1177740	*	*	*	*	1	1	1	1
AM	GRILLE ASY 12"	1176015	1	1	1	1	*	*	*	*
AM	GRILLE ASY 18"	1177738	*	*	*	*	1	1	1	1
AN	GRILLE ASY 12"	1176016	1	1	1	1	*	*	*	*
AN	GRILLE ASY 18"	1177337	*	*	*	*	1	1	1	1
AP	PANEL CORNER 12" COND	1176021	3	3	3	3	*	*	*	*
AP	PANEL CORNER 18" COND	1177347	*	*	*	*	3	3	3	3
AQ	BRACKET SUPPORT	1176023	4	4	4	4	4	4	4	4
AR	PANEL CORNER 12" HEADER	1176024	1	1	1	1	*	*	*	*
AR	PANEL CORNER 18" HEADER	1177348	*	*	*	*	1	1	1	1
AS	PARTION COIL EVAP	1176026	1	1	1	1	1	1	1	1
AT	SUPPORT BURNER	1177731	1	1	1	1	1	1	1	1
AV	BRACKET BURNER	1177728	1	1	1	1	1	1	1	1
AW	BRACKET SWITCH	1177730	1	1	1	1	1	1	1	1
BC	PARTION COIL EVAP	1176783	1	1	1	1	1	1	1	1
BD	SUPPORT BLOWER	1176784	1	1	1	1	1	1	1	1
BE	SHIELD BASEPAN	1176794	1	1	1	1	1	1	1	1
BF	INSULATION RETURN DUCT PANEL	1176151	1	1	1	1	1	1	1	1
BG	COMPRESSOR MTG BOLT	1176731	4	4	4	4	4	4	4	4
BH	INSULATION COIL PARTITION	1176152	1	1	1	1	1	1	1	1
BJ	INSULATION COIL PARTITION	1176785	1	1	1	1	1	1	1	1
BK	GROMMET	1176613	1	1	1	1	1	1	1	1
BM	BLOCKOFF PANEL UPPER	1177319	1	1	1	1	1	1	1	1
BN	BLOCKOFF PANEL LOWER	1177223	1	1	1	1	1	1	1	1
PARTS NOT SHOWN										
)	HARNESS ASY 208/230V	1177797	1	1	1	1	1	1	1	1
)	WIRE ASY INGNITION	1177654	1	1	1	1	1	1	1	1
)	WIRE IGNITION	1175498	1	1	1	1	1	1	1	1

**PGN4 36 ( 460V ) 3Phase PARTS LIST**

KEY NO.	DESCRIPTION	FAST PARTS NO.				
			PGN436060L00A1	PGN436060L01A1	PGN436090L00A1	PGN436090L01A1
01	COMP ZP29K5E-TFD-130	ZP29K5ETFD130	1	1	1	1
02	COIL ASY OUTDOOR 36 AL LF	1177743	1	1	1	1
03	COIL ASY OUTDOOR 36 AL RT	1177744	1	1	1	1
04	COIL ASY INDOOR 36	1177747	1	1	1	1
05	MTR BLT 1/460 3/4 VS 600-1200	1177598	1	1	1	1
06	MTR CND 1/8,825,460V 1 PH	1176050	1	1	1	1
07	FAN C 22" 3B 1/2" 28 INT	1171219	1	1	1	1
08	CAP RN OV 370V 5	1172149	1	1	1	1
10	CONTACTOR 2P 20A 24V	1171160	1	1	1	1
11	CAP RN OV 370V 4	1175500	*	*	1	1
12	IGNITION CONTROL MODULE 460V	1177804	1	1	1	1
13	TRANS 460>24 40VA	1175310	1	1	1	1
14	WHEEL DD 11x10x1/2 CW	1173815	1	1	1	1
15	WHEEL DD 5 1/4X1 CCW	1175971	1	1	*	*
15	WHEEL DD 5 3/4X1 CCW	1175873	*	*	1	1
16	DISTRIBUTOR 4 CIRCUIT R-410A	1174361	1	1	1	1
18	SWITCH TEMP (RS)	1177658	1	1	1	1
19	KIT, TAIL PIECE ASY(FLOW RSTR)	1174325	1	1	1	1
20	SWITCH LMT 225-50 (LS2)	1171484	1	1	1	1
21	SENSOR ASY	1177662	1	1	1	1
22	INGNITER ASY	1177663	1	1	1	1
23	MANIFOLD 2 BURNER	1175975	1	1	*	*
23	MANIFOLD 3 BURNER	1176040	*	*	1	1
24	BURNER ASY	1171095	2	2	2	2
25	BURNER ASY	1171087	*	*	1	1
26	RING INSERT	1171439	2	2	3	3
27	VALVE GAS	1175976	1	1	1	1
28	ORIFICE MAIN 38	1172235	2	2	3	3
31	MTR IDF 1/460V 1/15 3300	1177803	1	1	*	*
31	MTR IDF 1/460V 1/16 3450	1177802	*	*	1	1
32	MOUNTING KIT BLW MTR	1175958	1	1	1	1
33	TUBE ASY HT EX 60K BTU	1175982	1	*	*	*
33	TUBE ASY HT EX 60K BTU LWNX	1175983	*	1	*	*
33	TUBE ASY HT EX 90K BTU	1176041	*	*	1	*
33	TUBE ASY HT EX 90K BTU LWNX	1176042	*	*	*	1
35	BAFFLE FLUE 24MM	1172688	1	1	*	*
35	BAFFLE FLUE	1176044	*	*	1	1
36	BAFFLE LOW NOX	1173201	*	2	*	3
37	PLUG COMPRESSOR	1177022	1	1	1	1
38	HTR CC WP 40 480V TCH268-3	1176867	1	1	1	1
39	SWITCH LOW PRESSURE	1174412	1	1	1	1
40	DRIER LIQ 08 CU IN 3/8 SWEAT	1173679	1	1	1	1
41	SWITCH HIGH PRESSURE	1174407	1	1	1	1
42	TRANS STEP DOWN 460>230V	1177023	1	1	1	1

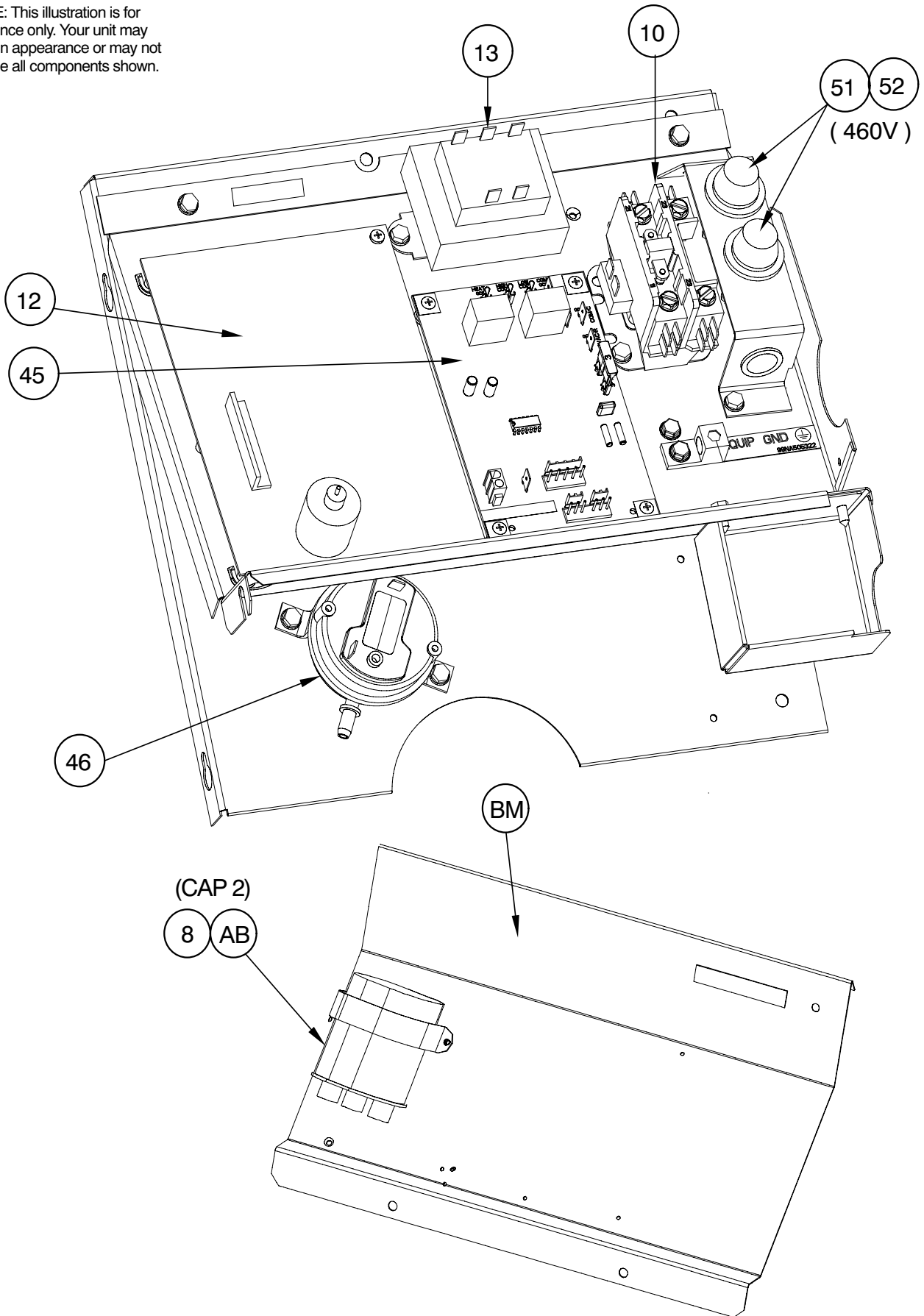
**PGN4 36 ( 460V ) 3Phase PARTS LIST (continued)**

KEY NO.	DESCRIPTION	FAST PARTS NO.				
			PGN436060L00A1	PGN436060L01A1	PGN436090L00A1	PGN436090L01A1
43	VALVE TXV 3 TON	1176869	1	1	1	1
45	BOARD MOTOR	1177800	1	1	1	1
46	SWITCH PRESURE	1172197	1	1	1	1
50	SWITCH TEMP (LS1)	1177660	1	1	*	*
50	SWITCH TEMP (LS1)	1176103	*	*	1	1
51	FUSE 5A	1177759	2	2	2	2
52	HOLDER FUSE	1177760	2	2	2	2
A	RACEWAY	1171428	1	1	1	1
B	INSULATION ASY TOP EVAP	1175988	1	1	1	1
C	BASE PAN ASY	1175989	1	1	1	1
D	DUCT COVER ASY	1175990	2	2	2	2
E	TOP COVER CONDENSER	1175991	1	1	1	1
F	PARTITION COIL	1175992	1	1	1	1
G	PARTITION FAN	1175993	1	1	1	1
H	PANEL REAR DUCT	1175994	1	1	1	1
J	PANEL COMP SIDE	1175995	1	1	1	1
K	PANEL ACCESS	1175996	1	1	1	1
L	INSULATION ACCESS PANEL	1175997	1	1	1	1
M	INSULATION PANEL COMP	1175998	1	1	1	1
N	GRILLE OUTLET	1171267	1	1	1	1
P	GROMMET COMPRESSOR 1.62"DIA	1171270	4	4	4	4
Q	CAP HOOD	1175999	1	1	1	1
R	PLATE INSULATION	1176000	1	1	1	1
S	INSULATION ASY FLUE BOX 60K BTU	1177727	1	1	*	*
S	INSULATION ASY FLUE BOX 90K BTU	1177727	*	*	1	1
T	INSULATION FLUE COVER	1176002	1	1	1	1
V	SHEILD	1176003	1	1	1	1
W	INSULATION FLUE COVER	1176004	1	1	1	1
X	PANEL GAS SIDE	1176005	1	1	1	1
Y	INSULATION PANEL GAS SIDE	1176006	1	1	1	1
AA	INSULATION FAN PARTITION	1176008	1	1	1	1
AB	CLAMP CAPACITOR	1171552	1	1	2	2
AE	SCROLL BLW	1176010	1	1	1	1
AF	PLATE ASY BLW SIDE	1176266	1	1	1	1
AH	PLATE BLW	1177737	1	1	1	1
AK	GRILLE ASY 18"	1177739	1	1	1	1
AL	GRILLE ASY 18"	1177740	1	1	1	1
AM	GRILLE ASY 18"	1177738	1	1	1	1
AN	GRILLE ASY 18"	1177337	1	1	1	1
AP	PANEL CORNER 18" COND	1177347	3	3	3	3
AQ	BRACKET SUPPORT	1176023	4	4	4	4
AR	PANEL CORNER 18" HEADER	1177348	1	1	1	1
AS	PARTION COIL EVAP	1176026	1	1	1	1
AT	SUPPORT BURNER	1177731	1	1	1	1

**PGN4 36 ( 460V ) 3Phase PARTS LIST (continued)**

KEY NO.	DESCRIPTION	FAST PARTS NO.	PGN436060L00A1	PGN436060L01A1	PGN436090L00A1	PGN436090L01A1
AV	BRACKET BURNER	1177728	1	1	1	1
AW	BRACKET SWITCH	1177730	1	1	1	1
BC	PARTION COIL EVAP	1176783	1	1	1	1
BD	SUPPORT BLOWER	1176784	1	1	1	1
BE	SHIELD BASEPAN	1176794	1	1	1	1
BF	INSULATION RETURN DUCT PANEL	1176151	1	1	1	1
BG	COMPRESSOR MTG BOLT	1176731	4	4	4	4
BH	INSULATION COIL PARTITION	1176152	1	1	1	1
BJ	INSULATION COIL PARTITION	1176785	1	1	1	1
BK	GROMMET	1176613	1	1	1	1
BM	BLOCKOFF PANEL UPPER	1177319	1	1	1	1
BN	BLOCKOFF PANEL LOWER	1177223	1	1	1	1
PARTS NOT SHOWN						
)	HARNESS ASY CONTR BOX	1177801	1	1	1	1
)	WIRE ASY INGNITION	1177654	1	1	1	1
)	WIRE IGNITION	1175498	1	1	1	1

NOTE: This illustration is for reference only. Your unit may differ in appearance or may not include all components shown.



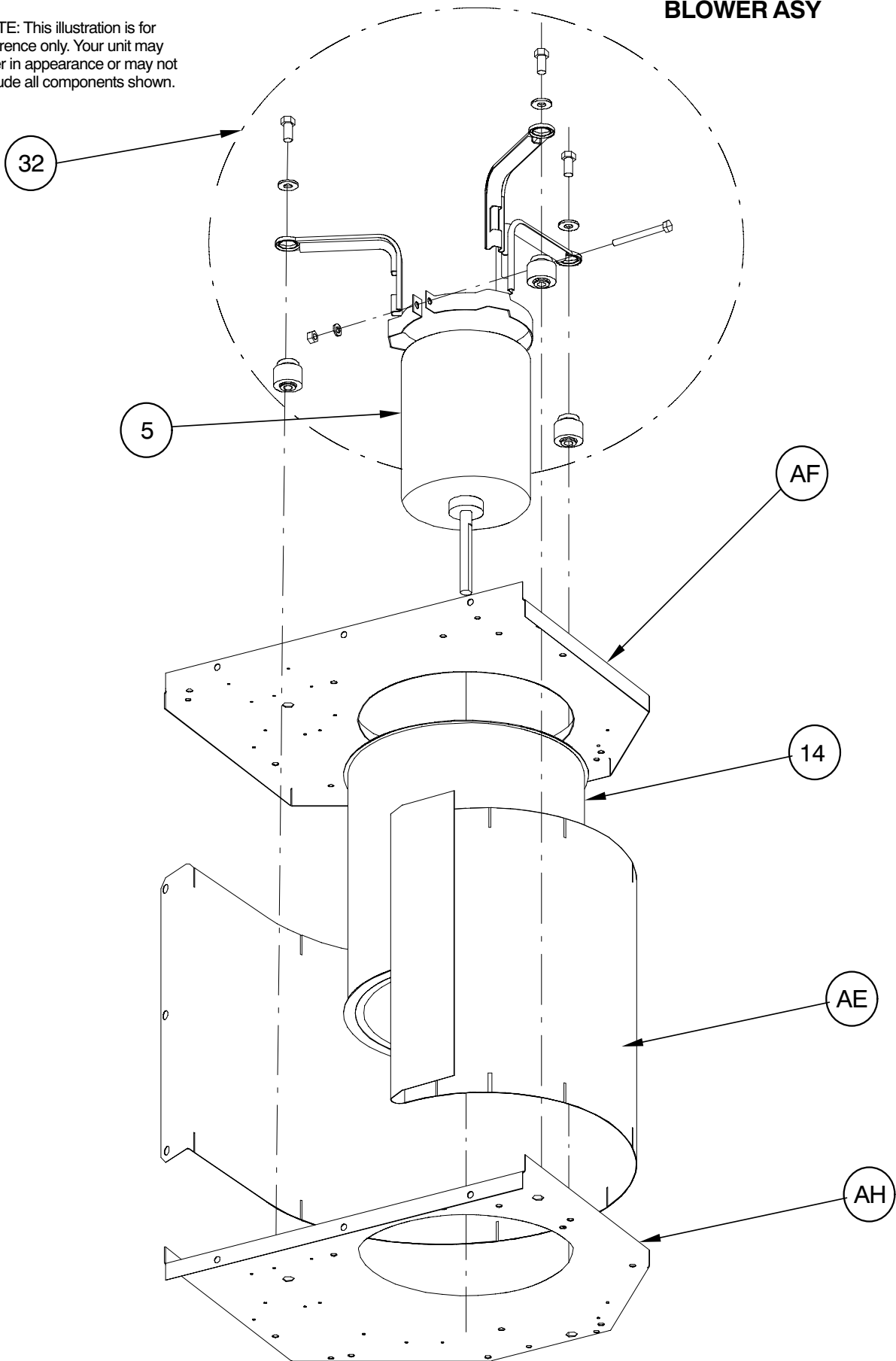
**CONTROL PANEL ASY**

50-10-23



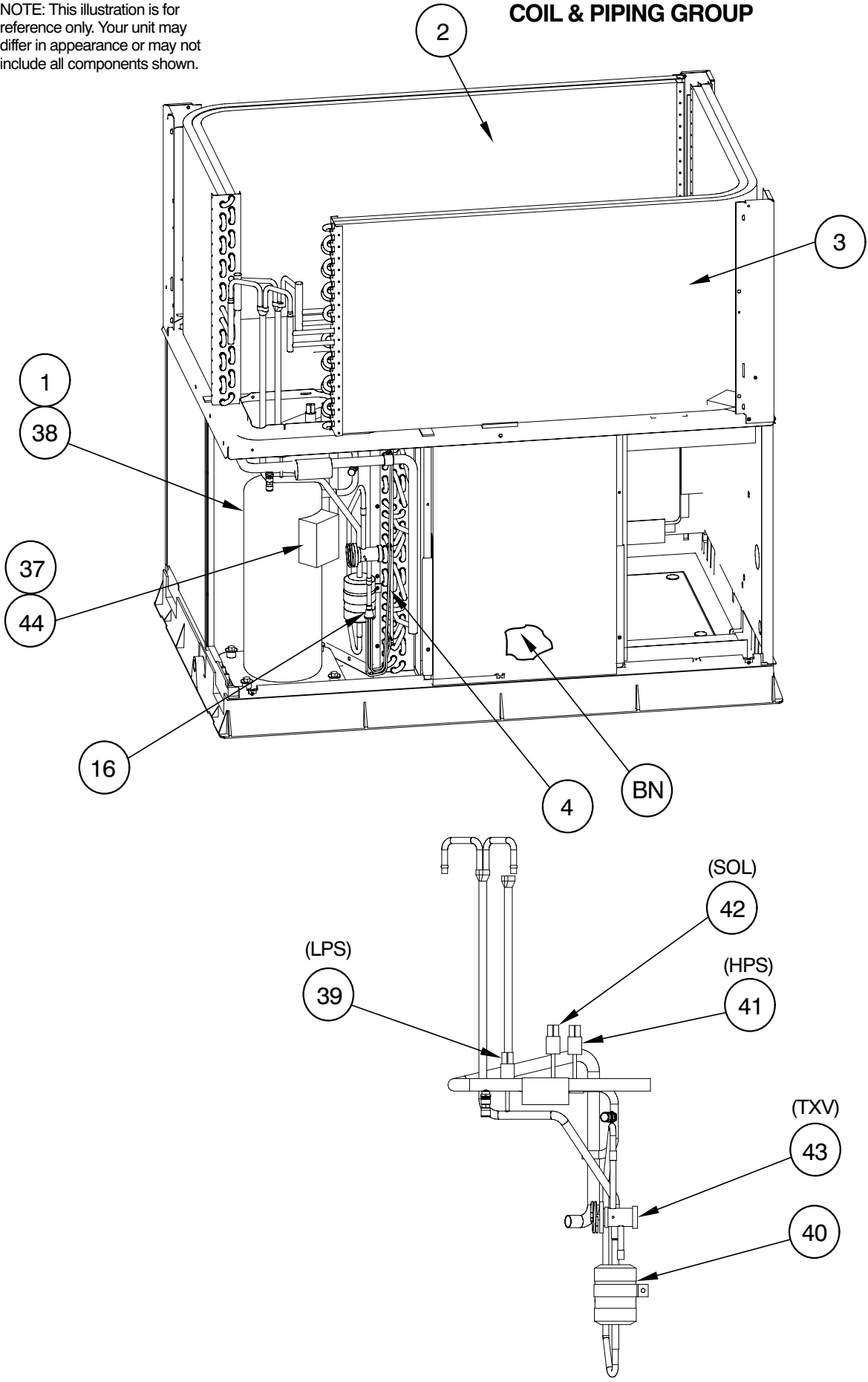
**BLOWER ASY**

NOTE: This illustration is for reference only. Your unit may differ in appearance or may not include all components shown.

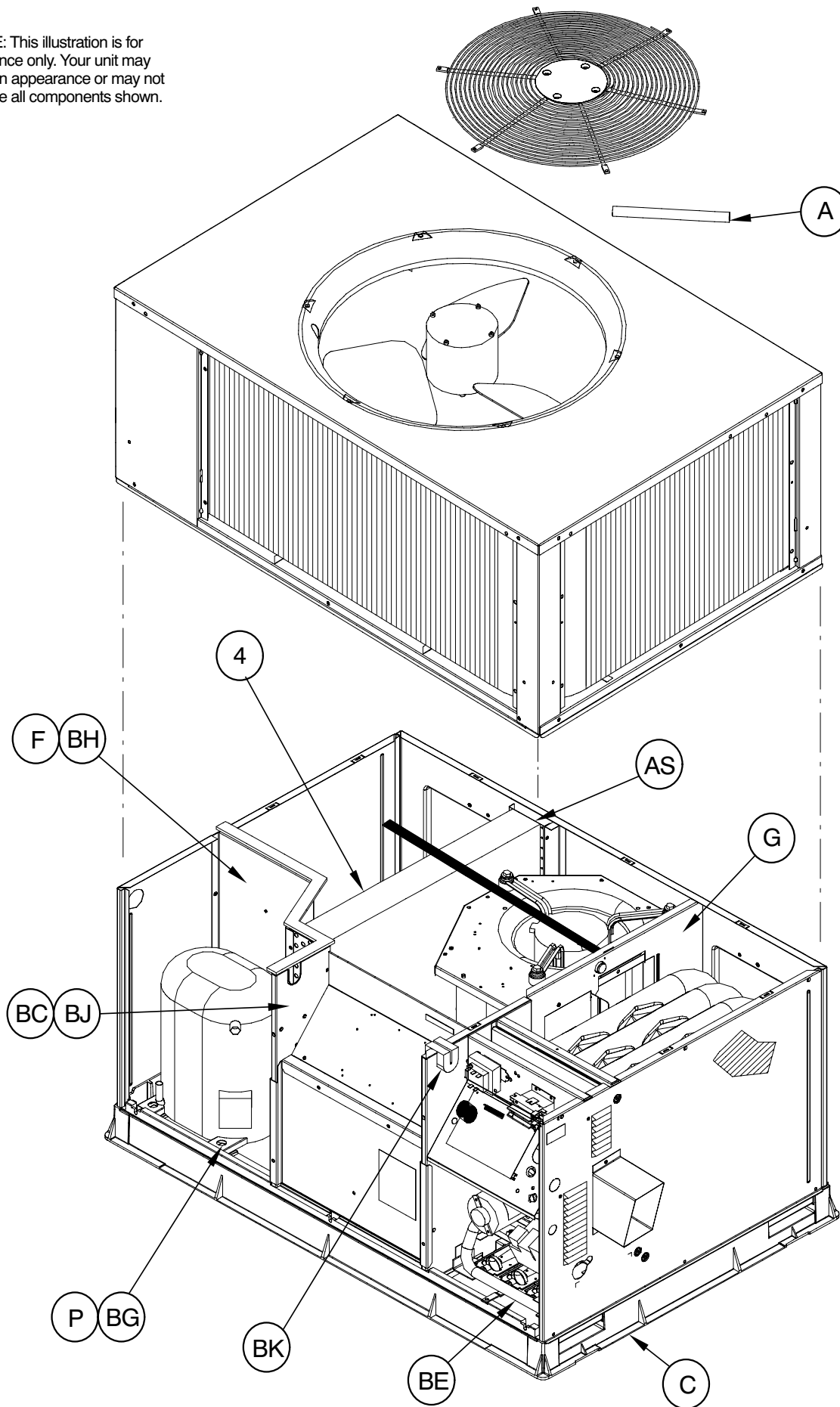


NOTE: This illustration is for reference only. Your unit may differ in appearance or may not include all components shown.

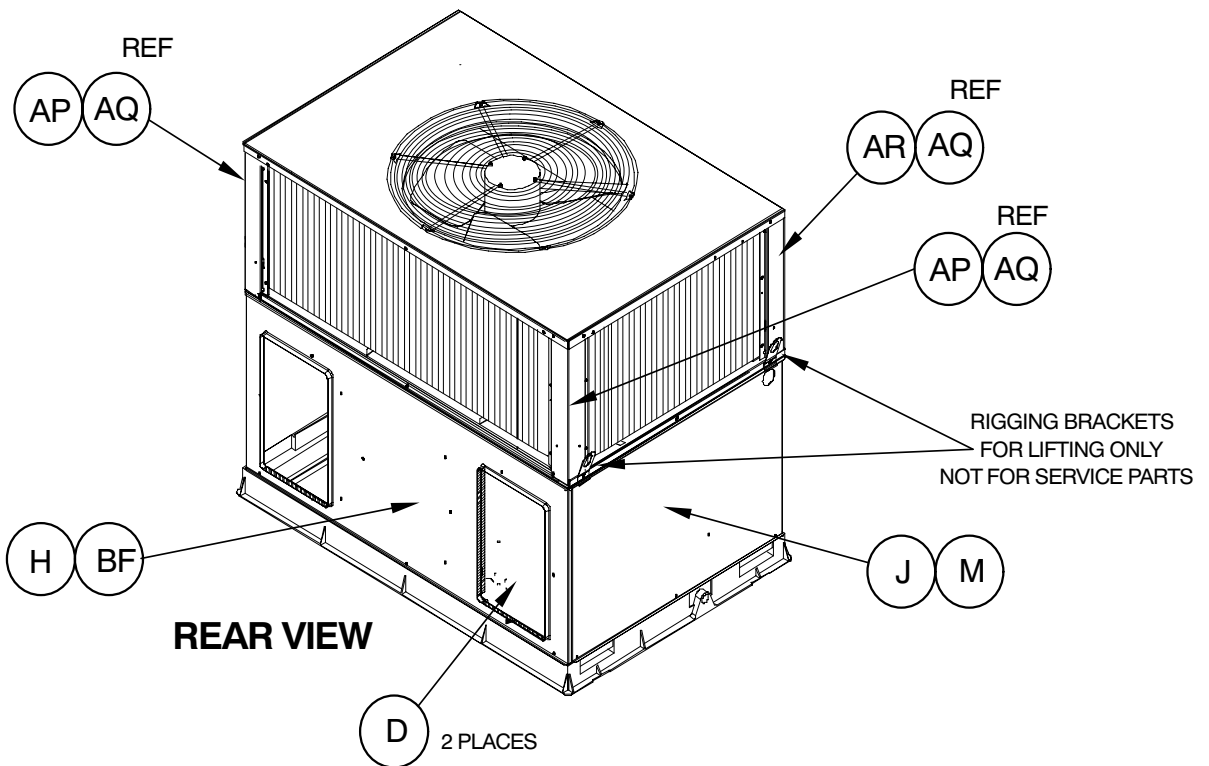
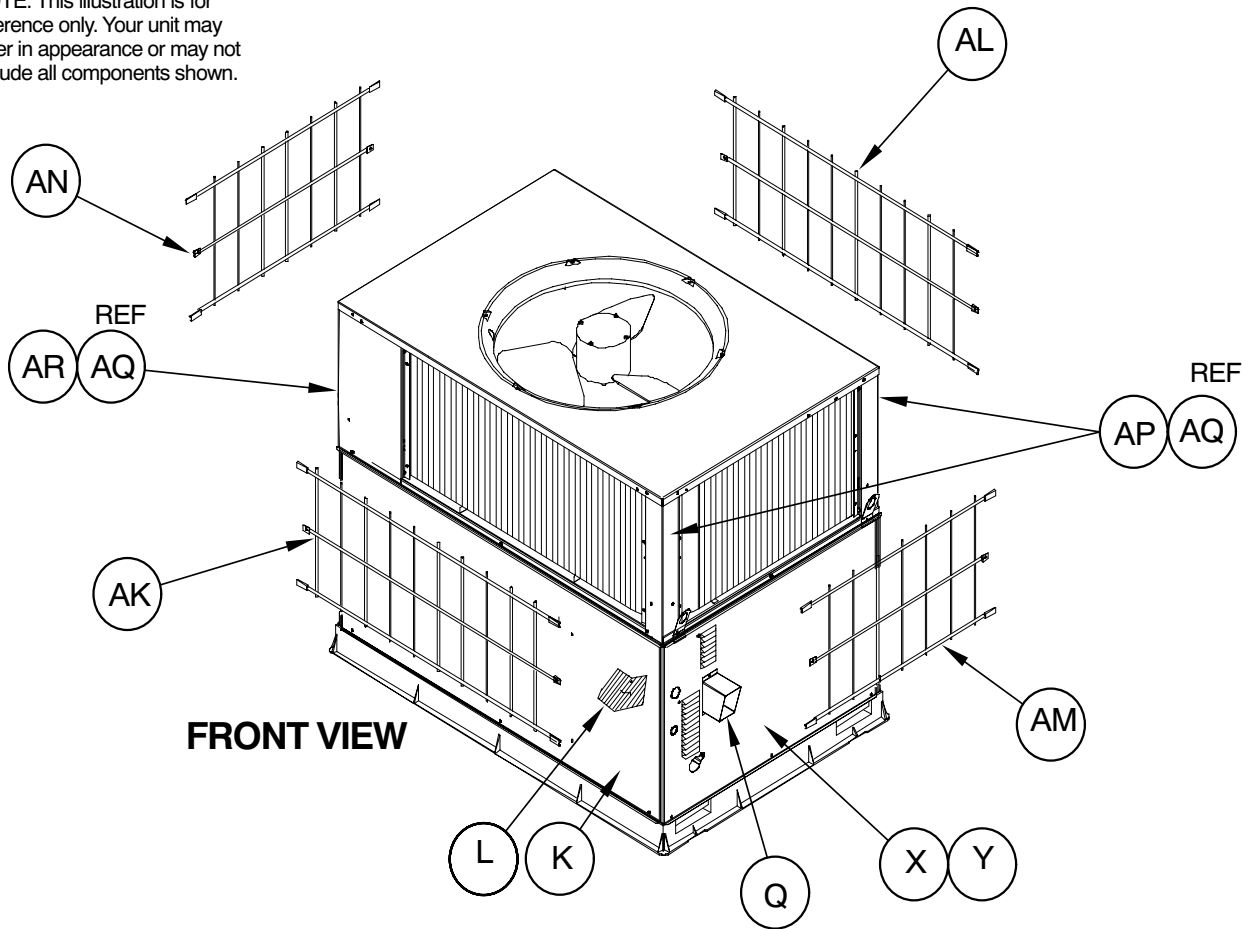
### COIL & PIPING GROUP



NOTE: This illustration is for reference only. Your unit may differ in appearance or may not include all components shown.

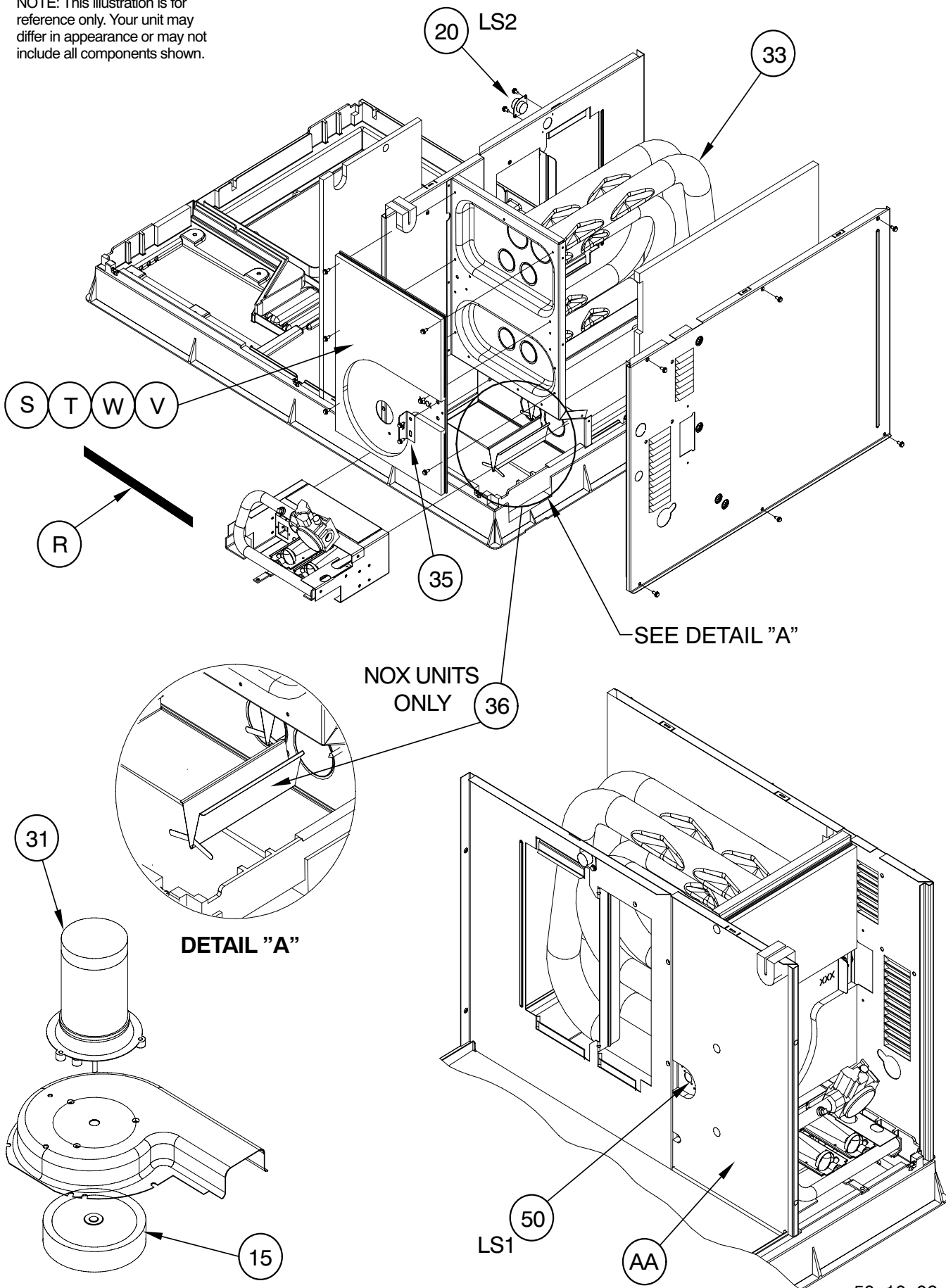


NOTE: This illustration is for reference only. Your unit may differ in appearance or may not include all components shown.



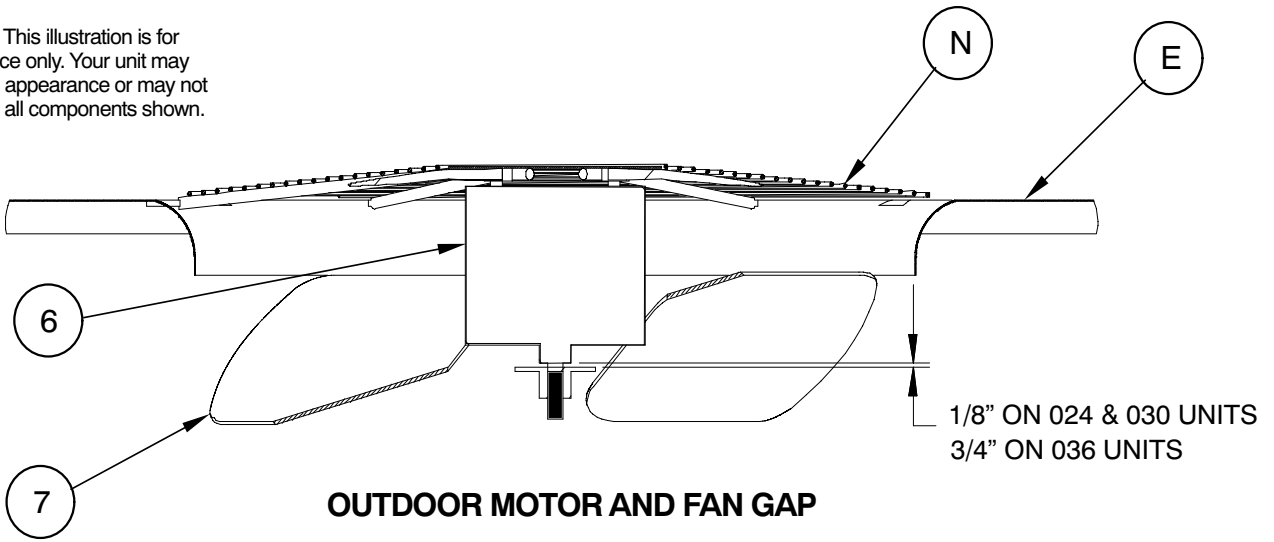
GAS SECTION

NOTE: This illustration is for reference only. Your unit may differ in appearance or may not include all components shown.

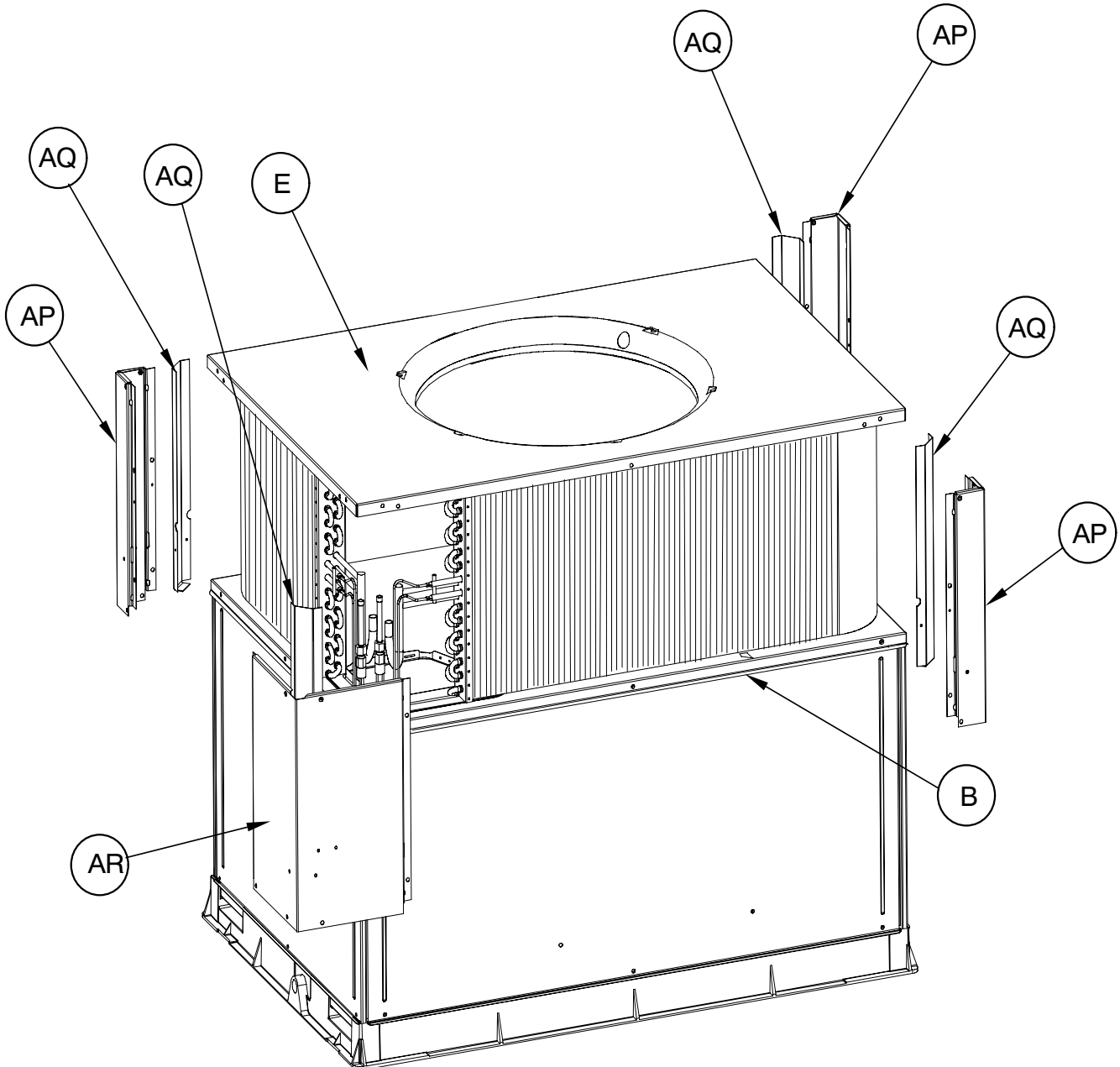


50-10-06

NOTE: This illustration is for reference only. Your unit may differ in appearance or may not include all components shown.

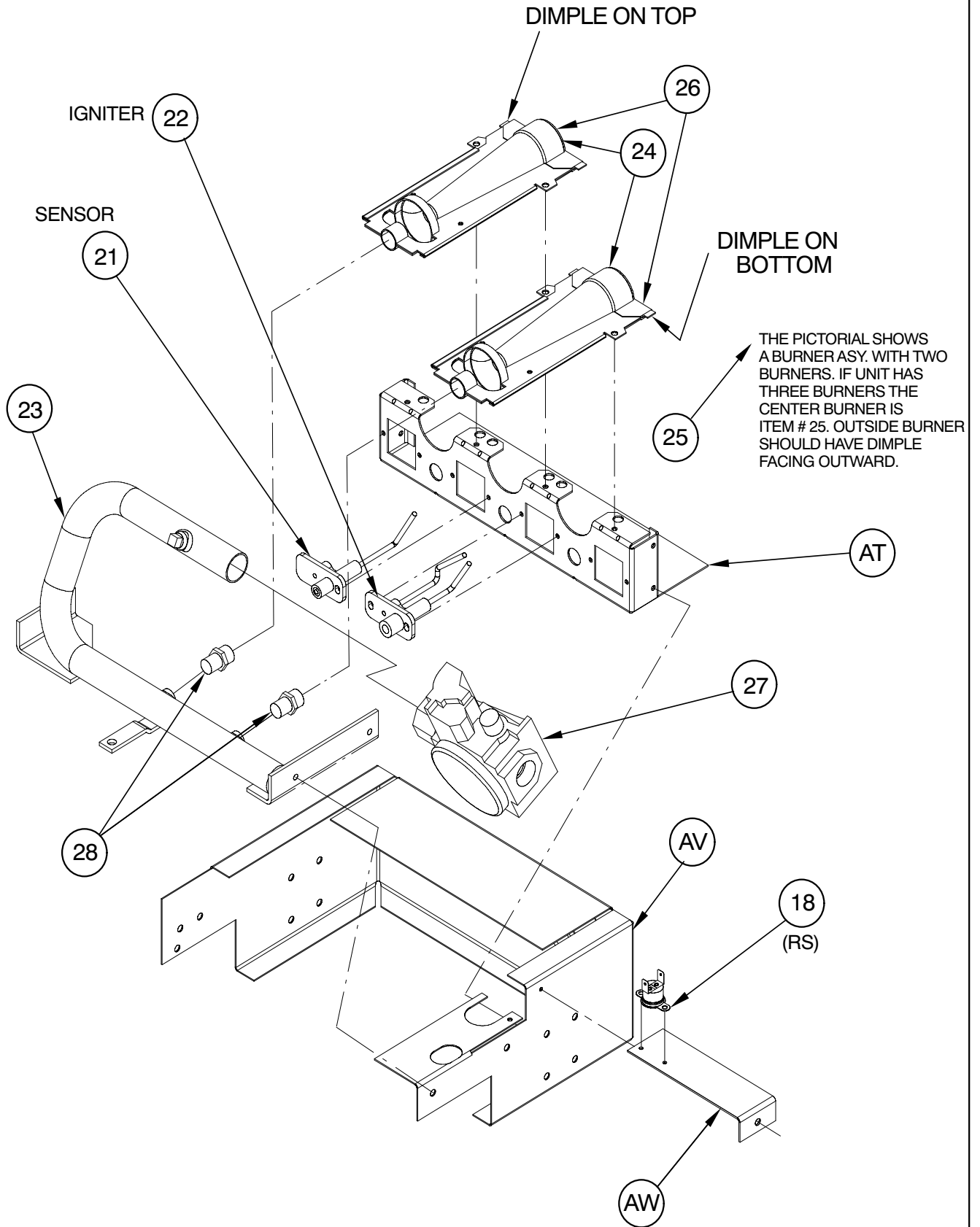


**OUTDOOR MOTOR AND FAN GAP**



NOTE: This illustration is for reference only. Your unit may differ in appearance or may not include all components shown.

### BURNER ASY



PGN4 42 - 60 (208/230V) 3Phase PARTS LIST

KEY NO.	DESCRIPTION	FAST PARTS NO.	PGN442060H00A1	PGN442060H01A1	PGN442090H00A1	PGN442090H01A1	PGN448090H00A1	PGN448090H01A1	PGN448115H00A1	PGN448115H01A1	PGN448130H00A1	PGN448130H01A1	PGN460090H00A1	PGN460090H01A1	PGN460115H00A1	PGN460115H01A1	PGN460130H00A1	PGN460130H01A1
01	COMP ZP36K5E-TF5-130	ZP36K5ETF5130	1	1	1	1	*	*	*	*	*	*	*	*	*	*	*	*
01	COMP ZP42K5E-TF5-130	ZP42K5ETF5130	*	*	*	*	1	1	1	1	1	1	*	*	*	*	*	*
01	COMP ZP51K5E-TF5-130	ZP51K5ETF5130	*	*	*	*	*	*	*	*	*	*	1	1	1	1	1	1
02	COIL ASY OUTDOOR 42 (LF) AL	1177756	1	1	1	1	*	*	*	*	*	*	*	*	*	*	*	*
02	COIL ASY OUTDOOR 48 (LF) AL	1177332	*	*	*	*	1	1	1	1	1	1	*	*	*	*	*	*
02	COIL ASY OUTDOOR 60 (LF) AL	1177751	*	*	*	*	*	*	*	*	*	*	1	1	1	1	1	1
03	COIL ASY OUTDOOR 42 (RT) AL	1177757	1	1	1	1	*	*	*	*	*	*	*	*	*	*	*	*
03	COIL ASY OUTDOOR 48 (RT) AL	1177333	*	*	*	*	1	1	1	1	1	1	*	*	*	*	*	*
03	COIL ASY OUTDOOR 60 (RT) AL	1177752	*	*	*	*	*	*	*	*	*	*	1	1	1	1	1	1
04	COIL ASY INDOOR (42)	1177753	1	1	1	1	*	*	*	*	*	*	*	*	*	*	*	*
04	COIL ASY INDOOR (48)	1177754	*	*	*	*	1	1	1	1	1	1	*	*	*	*	*	*
04	COIL ASY INDOOR (60)	1177755	*	*	*	*	*	*	*	*	*	*	1	1	1	1	1	1
05	MTR BLT 1/230 3/4 VS 600-1200	1177596	1	1	1	1	*	*	*	*	*	*	*	*	*	*	*	*
05	MTR BLT 1/230 1 VS 600-1200	1177597	*	*	*	*	1	1	1	1	1	1	1	1	1	1	1	1
06	MTR CND 1/230 1/8 825	1175625	1	1	1	1	*	*	*	*	*	*	*	*	*	*	*	*
06	MTR CND 1/230 1/4 1100	1171335	*	*	*	*	1	1	1	1	1	1	*	*	*	*	*	*
06	MTR CND 1/230 1/3 1100	1177345	*	*	*	*	*	*	*	*	*	*	1	1	1	1	1	1
07	FAN C 22" 3B 1/2" 28 INT	1171219	1	1	1	1	*	*	*	*	*	*	1	1	1	1	1	1
07	FAN C 22" 3B 1/2" 24 INT	1171220	*	*	*	*	1	1	1	1	1	1	*	*	*	*	*	*
08	CAP RN OV 370V 5	1172149	1	1	1	1	*	*	*	*	*	*	*	*	*	*	*	*
08	CAP RN OV 370V 10	1171807	*	*	*	*	1	1	1	1	1	1	1	1	1	1	1	1
10	CONTACTOR 2P 20A 24V	1171160	1	1	1	1	*	*	*	*	*	*	*	*	*	*	*	*
10	CONTACTOR 2P 25A 24V	1174905	*	*	*	*	1	1	1	1	1	1	1	1	1	1	1	1
11	CAP RN OV 370V 4	1175500	*	*	*	*	*	*	*	*	1	1	*	*	*	*	1	1
12	IGNITION CONTROL MODULE	1177661	1	1	1	1	1	1	1	1	1	1	1	1	1	1	1	1
13	TRANS 208/230>24 40VA	1173691	1	1	1	1	1	1	1	1	1	1	1	1	1	1	1	1
14	WHEEL 11-10DD CCW	1177025	1	1	1	1	1	1	1	1	1	1	1	1	1	1	1	1
15	WHEEL DD 5 1/4X1 CCW	1175971	1	1	1	1	1	1	1	1	*	*	1	1	1	1	*	*
15	WHEEL DD 5 3/4X1 CCW	1175873	*	*	*	*	*	*	*	*	1	1	*	*	*	*	1	1
16	DISTRIBUTOR 6 CKT	1175220	1	1	1	1	1	1	1	1	1	1	*	*	*	*	*	*
16	DISTRIBUTOR 4 CKT	1174244	*	*	*	*	*	*	*	*	*	*	1	1	1	1	1	1
18	SWITCH TEMP O320 C270	1177658	1	1	1	1	1	1	1	1	1	1	1	1	1	1	1	1
21	SENSOR ASY	1177662	1	1	1	1	1	1	1	1	1	1	1	1	1	1	1	1
22	INGNITER ASY	1177663	1	1	1	1	1	1	1	1	1	1	1	1	1	1	1	1
23	MANIFOLD 2 BURNER	1176059	1	1	*	*	*	*	*	*	*	*	*	*	*	*	*	*
23	MANIFOLD 3 BURNER	1176089	*	*	1	1	1	1	1	1	1	1	1	1	1	1	1	1
24	BURNER ASY	1171095	2	2	2	2	2	2	2	2	2	2	2	2	2	2	2	2
25	BURNER ASY	1171087	*	*	1	1	1	1	1	1	1	1	1	1	1	1	1	1
26	RING INSERT	1171439	2	2	3	3	3	3	3	3	3	3	3	3	3	3	3	3
27	VALVE GAS	1175976	1	1	1	1	1	1	1	1	1	1	1	1	1	1	1	1
28	ORIFICE MAIN 38	1172235	2	2	3	3	3	3	*	*	*	*	3	3	*	*	*	*
28	ORIFICE MAIN 33	1172226	*	*	*	*	*	*	3	3	*	*	*	*	3	3	*	*
28	ORIFICE MAIN 31	1171462	*	*	*	*	*	*	*	*	3	3	*	*	*	*	3	3
31	MTR IDF 1/230V 1/15 3200	1177798	1	1	*	*	*	*	1	1	*	*	*	*	1	1	*	*
31	MOTOR IDF 1/230V 1/25 3200	1177657	*	*	1	1	1	1	*	*	*	*	1	1	*	*	*	*
31	MTR IDF 1/230V 1/16 3450	1177799	*	*	*	*	*	*	*	*	1	1	*	*	*	*	1	1



**PGN4 42 - 60 (208/230V) 3Phase PARTS LIST (continued)**

KEY NO.	DESCRIPTION	FAST PARTS NO.	PGN442060H00A1	PGN442060H01A1	PGN442090H00A1	PGN442090H01A1	PGN448090H00A1	PGN448090H01A1	PGN448115H00A1	PGN448115H01A1	PGN448130H00A1	PGN448130H01A1	PGN460090H00A1	PGN460090H01A1	PGN460115H00A1	PGN460115H01A1	PGN460130H00A1	PGN460130H01A1
32	MOUNTING KIT BLW MTR (42-60)	1176088	1	1	1	1	1	1	1	1	1	1	1	1	1	1	1	1
33	TUBE ASY HT EX 60K BTU	1175982	1	*	*	*	*	*	*	*	*	*	*	*	*	*	*	*
33	TUBE ASY HT EX 60K BTU LWNX	1175981	*	1	*	*	*	*	*	*	*	*	*	*	*	*	*	*
33	TUBE ASY HT EX 90K BTU	1176041	*	*	1	*	1	*	*	*	*	*	1	*	*	*	*	*
33	TUBE ASY HT EX 90K BTU LWNX	1176042	*	*	*	1	*	1	*	*	*	*	*	1	*	*	*	*
33	TUBE ASY HT EX 115/130K BTU	1176118	*	*	*	*	*	*	1	*	1	*	*	*	1	*	1	*
33	TUBE ASY HT EX 115/130K BTU LWNX	1176119	*	*	*	*	*	*	1	*	1	*	*	*	1	*	1	*
35	BAFFLE FLUE 24MM	1172688	1	1	*	*	*	*	*	*	*	*	*	*	*	*	*	*
35	BAFFLE FLUE 15MM	1177653	*	*	1	1	1	1	1	1	*	*	1	1	1	1	1	*
35	BAFFLE FLUE 11MM	1177655	*	*	*	*	*	*	*	*	1	1	*	*	*	*	1	1
36	BAFFLE LWNX	1173201	*	2	*	3	*	3	*	3	*	3	*	3	*	3	*	3
37	PLUG COMPRESSOR	1177022	1	1	1	1	1	1	1	1	1	1	1	1	1	1	1	1
37	PLUG COMPRESSOR	1177318	*	*	*	*	*	*	*	*	*	*	*	*	*	*	*	*
38	HEATER CRANKCASE 40W 240V	1176105	1	1	1	1	1	1	1	1	1	1	1	1	1	1	1	1
39	SWITCH LOW PRESSURE	1174412	1	1	1	1	1	1	1	1	1	1	1	1	1	1	1	1
40	DRIER LIQ 08 CU IN 3/8 SWEAT	1173679	1	1	1	1	1	1	1	1	1	1	1	1	1	1	1	1
41	SWITCH HIGH PRESSURE	1174407	1	1	1	1	1	1	1	1	1	1	1	1	1	1	1	1
43	VALVE TXV 3 TON	1177748	1	1	1	1	*	*	*	*	*	*	*	*	*	*	*	*
43	VALVE TXV 4 TON	1176870	*	*	*	*	1	1	1	1	1	1	*	*	*	*	*	*
43	VALVE TXV 5 TON	1177749	*	*	*	*	*	*	*	*	*	*	1	1	1	1	1	1
45	CIRCUIT BOARD X-13	1177800	1	1	1	1	1	1	1	1	1	1	1	1	1	1	1	1
46	SWITCH PRESURE	1172197	1	1	1	1	1	1	1	1	1	1	1	1	1	1	1	1
50	SWITCH TEMP (LS1)	1176116	1	1	*	*	*	*	1	1	*	*	*	*	1	1	*	*
50	SWITCH TEMP (LS1)	1177659	*	*	1	1	1	1	*	*	1	1	1	1	*	*	1	1
A	RACEWAY	1171428	1	1	1	1	1	1	1	1	1	1	1	1	1	1	1	1
B	INSULATION ASY TOP	1176083	1	1	1	1	1	1	1	1	1	1	1	1	1	1	1	1
C	BASE PAN ASY	1176061	1	1	1	1	1	1	1	1	1	1	1	1	1	1	1	1
D	DUCT COVER ASY	1176062	2	2	2	2	2	2	2	2	2	2	2	2	2	2	2	2
E	TOP COND	1176063	1	1	1	1	1	1	1	1	1	1	1	1	1	1	1	1
F	PARTITION COIL RETURN	1176064	1	1	1	1	1	1	1	1	1	1	1	1	1	1	1	1
G	PARTITION FAN	1176065	1	1	1	1	1	1	1	1	1	1	1	1	1	1	1	1
H	PANEL REAR DUCT	1176066	1	1	1	1	1	1	1	1	1	1	1	1	1	1	1	1
J	PANEL SIDE COMP	1176067	1	1	1	1	1	1	1	1	1	1	1	1	1	1	1	1
K	PANEL ACCESS	1176068	1	1	1	1	1	1	1	1	1	1	1	1	1	1	1	1
L	INSULATION PANEL ACCESS	1176069	1	1	1	1	1	1	1	1	1	1	1	1	1	1	1	1
M	INSULATION PANEL COMP SIDE	1176070	1	1	1	1	1	1	1	1	1	1	1	1	1	1	1	1
N	GRILLE OUTLET	1171267	1	1	1	1	1	1	1	1	1	1	1	1	1	1	1	1
P	GROMMET COMPRESSOR 1.62"DIA	1171270	4	4	4	4	4	4	4	4	4	4	4	4	4	4	4	4
Q	CAP HOOD	1175999	1	1	1	1	1	1	1	1	1	1	1	1	1	1	1	1
R	PLATE INSULATION	1176000	1	1	1	1	1	1	1	1	1	1	1	1	1	1	1	1
S	INSULATION ASY FLUE BOX	1177727	1	1	*	*	*	*	*	*	*	*	*	*	*	*	*	*
S	INSULATION ASY FLUE BOX	1177726	*	*	1	1	1	1	*	*	*	*	1	1	*	*	*	*
S	INSULATION ASY FLUE BOX	1176124	*	*	*	*	*	*	1	1	1	1	*	*	1	1	1	1
T	INSULATION FLUE COVER	1176002	1	1	1	1	1	1	1	1	1	1	1	1	1	1	1	1
V	SHEILD	1176003	1	1	1	1	1	1	1	1	1	1	1	1	1	1	1	1
W	INSULATION FLUE COVER	1176004	1	1	1	1	1	1	1	1	1	1	1	1	1	1	1	1

**PGN4 42 - 60 (208/230V) 3Phase PARTS LIST (continued)**

KEY NO.	DESCRIPTION	FAST PARTS NO.	PGN442060H00A1	PGN442060H01A1	PGN442090H00A1	PGN442090H01A1	PGN448090H00A1	PGN448090H01A1	PGN448115H00A1	PGN448115H01A1	PGN448130H00A1	PGN448130H01A1	PGN460090H00A1	PGN460090H01A1	PGN460115H00A1	PGN460115H01A1	PGN460130H00A1	PGN460130H01A1	
X	PANEL SIDE GAS	1176071	1	1	1	1	1	1	1	1	1	1	1	1	1	1	1	1	1
Y	INSULATION PANEL GAS SIDE	1176072	1	1	1	1	1	1	1	1	1	1	1	1	1	1	1	1	1
AA	INSULATION FAN PARTITION	1176073	1	1	1	1	1	1	1	1	1	1	1	1	1	1	1	1	1
AB	CLAMP CAPACITOR	1171552	1	1	1	1	1	1	1	1	2	2	1	1	1	1	2	2	2
AE	SCROLL	1176074	1	1	1	1	1	1	1	1	1	1	1	1	1	1	1	1	1
AF	PLATE ASY FAN SIDE	1176075	1	1	1	1	1	1	1	1	1	1	1	1	1	1	1	1	1
AH	PLATE FAN BOTTOM	1176077	1	1	1	1	1	1	1	1	1	1	1	1	1	1	1	1	1
AK	GRILLE ASY 20"	1176106	1	1	1	1	1	1	1	1	1	1	*	*	*	*	*	*	*
AK	GRILLE ASY 24"	1177339	*	*	*	*	*	*	*	*	*	*	1	1	1	1	1	1	1
AL	GRILLE ASY 20"	1176107	2	2	2	2	2	2	2	2	2	2	*	*	*	*	*	*	*
AL	GRILLE ASY 24"	1177341	*	*	*	*	*	*	*	*	*	*	2	2	2	2	2	2	2
AM	GRILLE ASY 20"	1176108	1	1	1	1	1	1	1	1	1	1	*	*	*	*	*	*	*
AM	GRILLE ASY 24"	1177340	*	*	*	*	*	*	*	*	*	*	1	1	1	1	1	1	1
AP	PANEL CORNER 20" COND	1176109	2	2	2	2	2	2	2	2	2	2	*	*	*	*	*	*	*
AP	PANEL CORNER 24" COND	1177350	*	*	*	*	*	*	*	*	*	*	2	2	2	2	2	2	2
AQ	BRACKET SUPPORT 16"	1176110	4	4	4	4	4	4	4	4	4	4	4	4	4	4	4	4	4
AR	PANEL CORNER 20" HEADER	1176111	1	1	1	1	1	1	1	1	1	1	*	*	*	*	*	*	*
AR	PANEL CORNER 24" HEADER	1177351	*	*	*	*	*	*	*	*	*	*	1	1	1	1	1	1	1
AS	PARTITION COIL EVAP	1176081	1	1	1	1	*	*	*	*	*	*	*	*	*	*	*	*	*
AS	PARTITION COIL EVAP	1176112	*	*	*	*	1	1	1	1	1	1	1	1	1	1	1	1	1
AT	SUPPORT BURNER	1177731	1	1	1	1	1	1	1	1	1	1	1	1	1	1	1	1	1
AV	BRACKET BURNER 2 BURNER	1176047	1	1	*	*	*	*	*	*	*	*	*	*	*	*	*	*	*
AV	BRACKET BURNER 3 BURNER	1177729	*	*	1	1	1	1	1	1	1	1	1	1	1	1	1	1	1
AW	BRACKET SWITCH	1177730	1	1	1	1	1	1	1	1	1	1	1	1	1	1	1	1	1
BA	PANEL CORNER 20" HAIRPIN	1176113	1	1	1	1	1	1	1	1	1	1	*	*	*	*	*	*	*
BA	PANEL CORNER 24" HAIRPIN	1177352	*	*	*	*	*	*	*	*	*	*	1	1	1	1	1	1	1
BB	SUPPORT BLOWER	1176085	1	1	1	1	1	1	1	1	1	1	1	1	1	1	1	1	1
BC	PARTITION COIL SUPPLY	1176084	1	1	1	1	1	1	1	1	1	1	1	1	1	1	1	1	1
BD	SUPPORT BLOWER	1176784	1	1	1	1	1	1	1	1	1	1	1	1	1	1	1	1	1
BE	SHEILD BASE PAN	1176086	1	1	1	1	1	1	1	1	1	1	1	1	1	1	1	1	1
BF	INSULATION RETURN DUCT PANEL	1176087	1	1	1	1	1	1	1	1	1	1	1	1	1	1	1	1	1
BG	COMPRESSOR MTG BOLT	1176731	4	4	4	4	4	4	4	4	4	4	4	4	4	4	4	4	4
BH	INSULATION COIL PARTITION	1176153	1	1	1	1	1	1	1	1	1	1	1	1	1	1	1	1	1
BJ	INSULATION COIL PARTITION	1176786	1	1	1	1	1	1	1	1	1	1	1	1	1	1	1	1	1
BK	GROMMET	1176613	1	1	1	1	1	1	1	1	1	1	1	1	1	1	1	1	1
BL	PARTITION COIL EVAP	1176114	*	*	*	*	1	1	1	1	1	1	1	1	1	1	1	1	1
BM	BLOCKOFF PANEL UPPER	1177326	1	1	1	1	1	1	1	1	1	1	1	1	1	1	1	1	1
BN	BLOCKOFF PANEL LOWER	1177325	1	1	1	1	1	1	1	1	1	1	1	1	1	1	1	1	1
PARTS NOT SHOWN																			
)	HARNESS ASY CONT BOX	1177797	1	1	1	1	1	1	1	1	1	1	1	1	1	1	1	1	1
)	WIRE ASY INGNITION	1177654	1	1	1	1	1	1	1	1	1	1	1	1	1	1	1	1	1
)	WIRE IGNITION	1175498	1	1	1	1	1	1	1	1	1	1	1	1	1	1	1	1	1

**PGN4 42 - 60 ( 460V ) 3Phase PARTS LIST**

KEY NO.	DESCRIPTION	FAST PARTS NO.	PGN442060L00A1	PGN442060L01A1	PGN442090L00A1	PGN442090L01A1	PGN448090L00A1	PGN448090L01A1	PGN448115L00A1	PGN448115L01A1	PGN448130L00A1	PGN448130L01A1	PGN460090L00A1	PGN460090L01A1	PGN460115L00A1	PGN460115L01A1	PGN460130L00A1	PGN460130L01A1
01	COMP ZP36K5E-TFD-130	ZP36K5ETFD130	1	1	1	1	*	*	*	*	*	*	*	*	*	*	*	*
01	COMP ZP42K5E-TFD-130	ZP42K5ETFD130	*	*	*	*	1	1	1	1	1	1	*	*	*	*	*	*
01	COMP ZP51K5E-TFD-130	ZP51K5ETFD130	*	*	*	*	*	*	*	*	*	*	1	1	1	1	1	1
02	COIL ASY OUTDOOR 42 (LF) AL	1177756	1	1	1	1	*	*	*	*	*	*	*	*	*	*	*	*
02	COIL ASY OUTDOOR 48 (LF) AL	1177332	*	*	*	*	1	1	1	1	1	1	*	*	*	*	*	*
02	COIL ASY OUTDOOR 60 (LF) AL	1177751	*	*	*	*	*	*	*	*	*	*	1	1	1	1	1	1
03	COIL ASY OUTDOOR 42 (RT) AL	1177757	1	1	1	1	*	*	*	*	*	*	*	*	*	*	*	*
03	COIL ASY OUTDOOR 48 (RT) AL	1177333	*	*	*	*	1	1	1	1	1	1	*	*	*	*	*	*
03	COIL ASY OUTDOOR 60 (RT) AL	1177752	*	*	*	*	*	*	*	*	*	*	1	1	1	1	1	1
04	COIL ASY INDOOR (42)	1177753	1	1	1	1	*	*	*	*	*	*	*	*	*	*	*	*
04	COIL ASY INDOOR (48)	1177754	*	*	*	*	1	1	1	1	1	1	*	*	*	*	*	*
04	COIL ASY INDOOR (60)	1177755	*	*	*	*	*	*	*	*	*	*	1	1	1	1	1	1
05	MTR BLT 1/460 3/4 VS 600-1200	1177599	1	1	1	1	*	*	*	*	*	*	*	*	*	*	*	*
05	MTR BLT 1/460 1 VS 600-1200	1177600	*	*	*	*	1	1	1	1	1	1	1	1	1	1	1	1
06	MTR CND 1/8,825,460V 1 PH	1176050	1	1	1	1	*	*	*	*	*	*	*	*	*	*	*	*
06	MTR CND 1/460 1/4 1100	1171334	*	*	*	*	1	1	1	1	1	1	*	*	*	*	*	*
06	MTR CND 1/460 1/3 1100	1177761	*	*	*	*	*	*	*	*	*	*	1	1	1	1	1	1
07	FAN C 22" 3B 1/2" 28 INT	1171219	1	1	1	1	*	*	*	*	*	*	1	1	1	1	1	1
07	FAN C 22" 3B 1/2" 24 INT	1171220	*	*	*	*	1	1	1	1	1	1	*	*	*	*	*	*
08	CAP RN OV 370V 5	1172149	1	1	1	1	*	*	*	*	*	*	*	*	*	*	*	*
08	CAP RN OV 370V 7	1176150	*	*	*	*	1	1	1	1	1	1	*	*	*	*	*	*
08	CAP RN OV 370V 10	1171807	*	*	*	*	1	1	1	1	1	1	1	1	1	1	1	1
10	CONTACTOR 2P 20A 24V	1171160	*	*	*	*	*	*	*	*	*	*	*	*	*	*	*	*
10	CONTACTOR 2P 25A 24V	1174905	1	1	1	1	1	1	1	1	1	1	1	1	1	1	1	1
11	CAP RN OV 370V 4	1175500	*	*	*	*	*	*	*	*	1	1	*	*	*	*	1	1
12	IGNITION CONTROL MODULE	1177804	1	1	1	1	1	1	1	1	1	1	1	1	1	1	1	1
13	TRANS 460>24 40VA	1175310	1	1	1	1	1	1	1	1	1	1	1	1	1	1	1	1
14	WHEEL 11-10DD CCW	1177025	1	1	1	1	1	1	1	1	1	1	1	1	1	1	1	1
15	WHEEL DD 5 1/4X1 CCW	1175971	1	1	1	1	1	1	1	1	*	*	1	1	1	1	*	*
15	WHEEL DD 5 3/4X1 CCW	1175873	*	*	*	*	*	*	*	*	1	1	*	*	*	*	1	1
16	DISTRIBUTOR 6 CKT	1175220	1	1	1	1	1	1	1	1	1	1	*	*	*	*	*	*
16	DISTRIBUTOR 4 CKT	1174244	*	*	*	*	*	*	*	*	*	*	1	1	1	1	1	1
18	SWITCH TEMP O320 C270	1177658	1	1	1	1	1	1	1	1	1	1	1	1	1	1	1	1
21	SENSOR ASY	1177662	1	1	1	1	1	1	1	1	1	1	1	1	1	1	1	1
22	INGNITER ASY	1177663	1	1	1	1	1	1	1	1	1	1	1	1	1	1	1	1
23	MANIFOLD 2 BURNER	1176059	1	1	*	*	*	*	*	*	*	*	*	*	*	*	*	*
23	MANIFOLD 3 BURNER	1176089	*	*	1	1	1	1	1	1	1	1	1	1	1	1	1	1
24	BURNER ASY	1171095	2	2	2	2	2	2	2	2	2	2	2	2	2	2	2	2
25	BURNER ASY	1171087	*	*	1	1	1	1	1	1	1	1	1	1	1	1	1	1
26	RING INSERT	1171439	2	2	3	3	3	3	3	3	3	3	3	3	3	3	3	3
27	VALVE GAS	1175976	1	1	1	1	1	1	1	1	1	1	1	1	1	1	1	1
28	ORIFICE MAIN 38	1172235	2	2	3	3	3	3	*	*	*	*	3	3	*	*	*	*
28	ORIFICE MAIN 33	1172226	*	*	*	*	*	*	3	3	*	*	*	*	3	3	*	*
28	ORIFICE MAIN 31	1171462	*	*	*	*	*	*	*	*	3	3	*	*	*	*	3	3
31	MTR IDF 1/460V 1/15 3300	1177803	1	1	*	*	*	*	1	1	*	*	*	*	1	1	*	*
31	MTR IDF 1/460V 1/25 3200	1177805	*	*	1	1	1	1	*	*	*	*	1	1	*	*	*	*

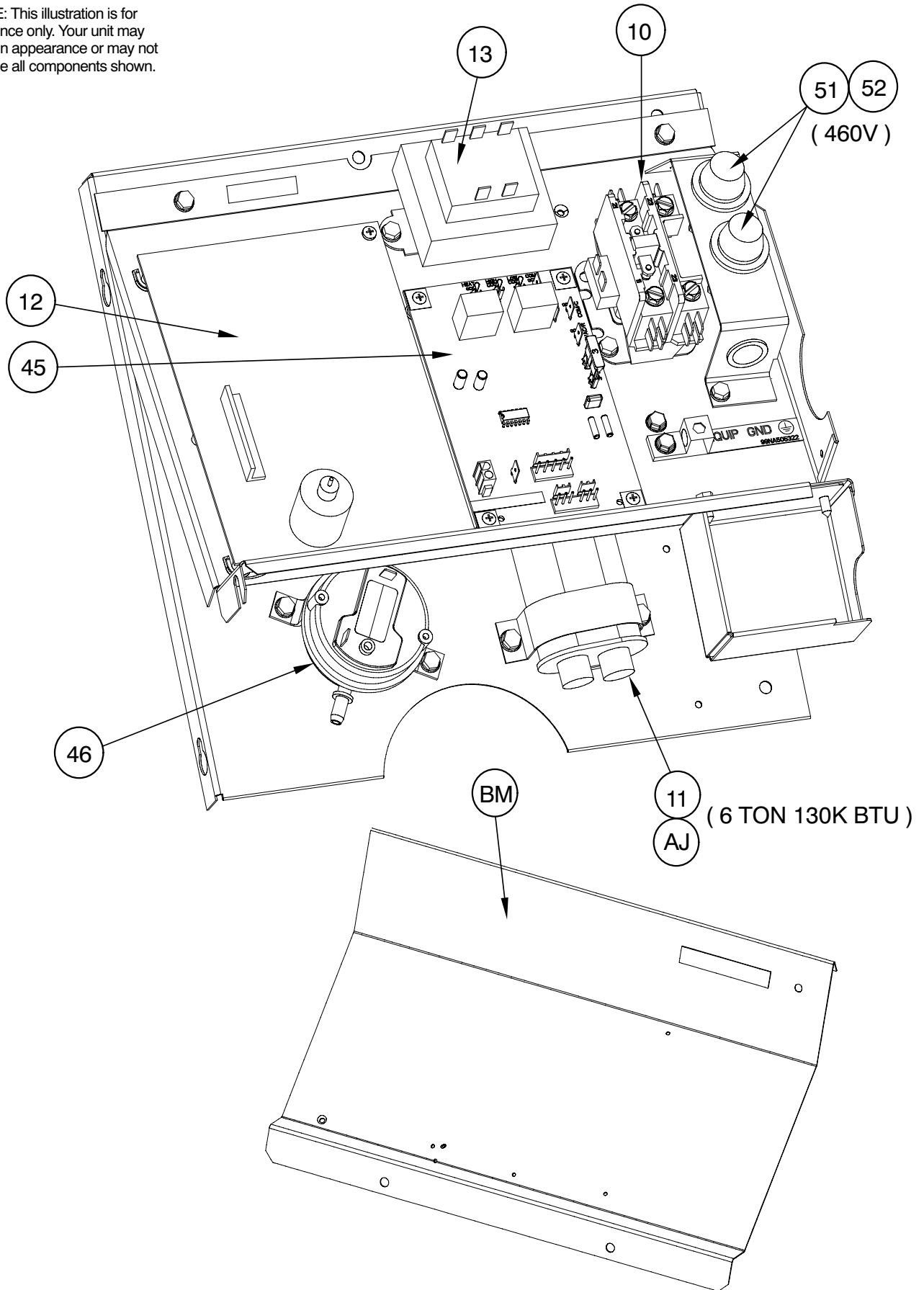
**PGN4 42 - 60 ( 460V ) 3Phase PARTS LIST (continued)**

KEY NO.	DESCRIPTION	FAST PARTS NO.	PGN442060L00A1	PGN442060L01A1	PGN442090L00A1	PGN442090L01A1	PGN448090L00A1	PGN448090L01A1	PGN448115L00A1	PGN448115L01A1	PGN448130L00A1	PGN448130L01A1	PGN460090L00A1	PGN460090L01A1	PGN460115L00A1	PGN460115L01A1	PGN460130L00A1	PGN460130L01A1
			*	*	*	*	*	*	*	*	*	*	*	*	*	*	*	*
31	MTR IDF 1/460V 1/16 3450	1177802	*	*	*	*	*	*	*	*	1	1	*	*	*	*	1	1
32	MOUNTING KIT BLW MTR (42-60)	1176088	1	1	1	1	1	1	1	1	1	1	1	1	1	1	1	1
33	TUBE ASY HT EX 60K BTU	1175982	1	*	*	*	*	*	*	*	*	*	*	*	*	*	*	*
33	TUBE ASY HT EX 60K BTU LWNX	1175981	*	1	*	*	*	*	*	*	*	*	*	*	*	*	*	*
33	TUBE ASY HT EX 90K BTU	1176041	*	*	1	*	1	*	*	*	*	*	1	*	*	*	*	*
33	TUBE ASY HT EX 90K BTU LWNX	1176042	*	*	*	1	*	1	*	*	*	*	*	1	*	*	*	*
33	TUBE ASY HT EX 115/130K BTU	1176118	*	*	*	*	*	*	1	*	1	*	*	*	1	*	1	*
33	TUBE ASY HT EX 115/130K BTU LWNX	1176119	*	*	*	*	*	*	1	*	1	*	*	*	1	*	1	1
35	BAFFLE FLUE 24MM	1172688	1	1	*	*	*	*	*	*	*	*	*	*	*	*	*	*
35	BAFFLE FLUE 15MM	1177653	*	*	1	1	1	1	1	1	*	*	1	1	1	1	*	*
35	BAFFLE FLUE 11MM	1177655	*	*	*	*	*	*	*	*	1	1	*	*	*	*	1	1
36	BAFFLE LWNX	1173201	*	2	*	3	*	3	*	3	*	3	*	3	*	3	*	3
37	PLUG COMPRESSOR	1177022	1	1	1	1	1	1	1	1	1	1	1	1	1	1	1	1
38	HEATER CRANKCASE 40W 480V	1176125	1	1	1	1	1	1	1	1	1	1	1	1	1	1	1	1
39	SWITCH LOW PRESSURE	1174412	1	1	1	1	1	1	1	1	1	1	1	1	1	1	1	1
40	DRIER LIQ 08 CU IN 3/8 SWEAT	1173679	1	1	1	1	1	1	1	1	1	1	1	1	1	1	1	1
41	SWITCH HIGH PRESSURE	1174407	1	1	1	1	1	1	1	1	1	1	1	1	1	1	1	1
42	TRANS STEP DOWN 460>230V	1177023	1	1	1	1	1	1	1	1	1	1	1	1	1	1	1	1
43	VALVE TXV 3 TON	1177748	1	1	1	1	*	*	*	*	*	*	*	*	*	*	*	*
43	VALVE TXV 4 TON	1176870	*	*	*	*	1	1	1	1	1	1	*	*	*	*	*	*
43	VALVE TXV 5 TON	1177749	*	*	*	*	*	*	*	*	*	*	1	1	1	1	1	1
45	CIRCUIT BOARD X-13	1177800	1	1	1	1	1	1	1	1	1	1	1	1	1	1	1	1
46	SWITCH PRESURE	1172197	1	1	1	1	1	1	1	1	1	1	1	1	1	1	1	1
50	SWITCH TEMP (LS1)	1176116	1	1	*	*	*	*	1	1	*	*	*	*	*	*	*	*
50	SWITCH TEMP (LS1)	1177659	*	*	1	1	1	1	*	*	1	1	*	*	*	*	*	*
50	SWITCH TEMP (LS1)	1176115	*	*	*	*	*	*	*	*	*	*	1	1	1	1	1	1
51	FUSE 5A	1177759	2	2	2	2	2	2	2	2	2	2	2	2	2	2	2	2
52	HOLDER FUSE	1177760	2	2	2	2	2	2	2	2	2	2	2	2	2	2	2	2
A	RACEWAY	1171428	1	1	1	1	1	1	1	1	1	1	1	1	1	1	1	1
B	INSULATION ASY TOP	1176083	1	1	1	1	1	1	1	1	1	1	1	1	1	1	1	1
C	BASE PAN ASY	1176061	1	1	1	1	1	1	1	1	1	1	1	1	1	1	1	1
D	DUCT COVER ASY	1176062	2	2	2	2	2	2	2	2	2	2	2	2	2	2	2	2
E	TOP COND	1176063	1	1	1	1	1	1	1	1	1	1	1	1	1	1	1	1
F	PARTITION COIL RETURN	1176064	1	1	1	1	1	1	1	1	1	1	1	1	1	1	1	1
G	PARTITION FAN	1177787	1	1	1	1	1	1	1	1	1	1	1	1	1	1	1	1
H	PANEL REAR DUCT	1176066	1	1	1	1	1	1	1	1	1	1	1	1	1	1	1	1
J	PANEL SIDE COMP	1176067	1	1	1	1	1	1	1	1	1	1	1	1	1	1	1	1
K	PANEL ACCESS	1176068	1	1	1	1	1	1	1	1	1	1	1	1	1	1	1	1
L	INSULATION PANEL ACCESS	1176069	1	1	1	1	1	1	1	1	1	1	1	1	1	1	1	1
M	INSULATION PANEL COMP SIDE	1176070	1	1	1	1	1	1	1	1	1	1	1	1	1	1	1	1
N	GRILLE OUTLET	1171267	1	1	1	1	1	1	1	1	1	1	1	1	1	1	1	1
P	GROMMET COMPRESSOR 1.62"DIA	1171270	4	4	4	4	4	4	4	4	4	4	4	4	4	4	4	4
Q	CAP HOOD	1175999	1	1	1	1	1	1	1	1	1	1	1	1	1	1	1	1
R	PLATE INSULATION	1176000	1	1	1	1	1	1	1	1	1	1	1	1	1	1	1	1
S	INSULATION ASY FLUE BOX	1177727	1	1	*	*	*	*	*	*	*	*	*	*	*	*	*	*
S	INSULATION ASY FLUE BOX	1177726	*	*	1	1	1	1	*	*	*	*	1	1	*	*	*	*

**PGN4 42 - 60 ( 460V ) 3Phase PARTS LIST (continued)**

KEY NO.	DESCRIPTION	FAST PARTS NO.	PGN442060L00A1	PGN442060L01A1	PGN442090L00A1	PGN442090L01A1	PGN448090L00A1	PGN448090L01A1	PGN448115L00A1	PGN448115L01A1	PGN448130L00A1	PGN448130L01A1	PGN460090L00A1	PGN460090L01A1	PGN460115L00A1	PGN460115L01A1	PGN460130L00A1	PGN460130L01A1
			*	*	*	*	*	*	1	1	1	1	*	*	1	1	1	1
S	INSULATION ASY FLUE BOX	1176124	*	*	*	*	*	*	1	1	1	1	*	*	1	1	1	1
T	INSULATION FLUE COVER	1176002	1	1	1	1	1	1	1	1	1	1	1	1	1	1	1	1
V	SHEILD	1176003	1	1	1	1	1	1	1	1	1	1	1	1	1	1	1	1
W	INSULATION FLUE COVER	1176004	1	1	1	1	1	1	1	1	1	1	1	1	1	1	1	1
X	PANEL SIDE GAS	1176071	1	1	1	1	1	1	1	1	1	1	1	1	1	1	1	1
Y	INSULATION PANEL GAS SIDE	1176072	1	1	1	1	1	1	1	1	1	1	1	1	1	1	1	1
AA	INSULATION FAN PARTITION	1176073	1	1	1	1	1	1	1	1	1	1	1	1	1	1	1	1
AB	CLAMP CAPACITOR	1171552	1	1	1	1	1	1	1	1	2	2	1	1	1	1	2	2
AE	SCROLL	1176074	1	1	1	1	1	1	1	1	1	1	1	1	1	1	1	1
AF	PLATE ASY FAN SIDE	1177021	1	1	1	1	1	1	1	1	1	1	1	1	1	1	1	1
AH	PLATE FAN BOTTOM	1176076	1	1	1	1	1	1	1	1	1	1	1	1	1	1	1	1
AK	GRILLE ASY 20"	1176106	1	1	1	1	1	1	1	1	1	1	*	*	*	*	*	*
AK	GRILLE ASY 24"	1177339	*	*	*	*	*	*	*	*	*	*	1	1	1	1	1	1
AL	GRILLE ASY 20"	1176107	2	2	2	2	2	2	2	2	2	2	*	*	*	*	*	*
AL	GRILLE ASY 24"	1177341	*	*	*	*	*	*	*	*	*	*	2	2	2	2	2	2
AM	GRILLE ASY 20"	1176108	1	1	1	1	1	1	1	1	1	1	*	*	*	*	*	*
AM	GRILLE ASY 24"	1177340	*	*	*	*	*	*	*	*	*	*	1	1	1	1	1	1
AP	PANEL CORNER 20" COND	1176109	2	2	2	2	2	2	2	2	2	2	*	*	*	*	*	*
AP	PANEL CORNER 24" COND	1177350	*	*	*	*	*	*	*	*	*	*	2	2	2	2	2	2
AQ	BRACKET SUPPORT 16"	1176110	4	4	4	4	4	4	4	4	4	4	4	4	4	4	4	4
AR	PANEL CORNER 20" HEADER	1176111	1	1	1	1	1	1	1	1	1	1	*	*	*	*	*	*
AR	PANEL CORNER 24" HEADER	1177351	*	*	*	*	*	*	*	*	*	*	1	1	1	1	1	1
AS	PARTITION COIL EVAP	1176081	1	1	1	1	*	*	*	*	*	*	*	*	*	*	*	*
AS	PARTITION COIL EVAP	1176112	*	*	*	*	1	1	1	1	1	1	1	1	1	1	1	1
AT	SUPPORT BURNER	1177731	1	1	1	1	1	1	1	1	1	1	1	1	1	1	1	1
AV	BRACKET BURNER 2 BURNER	1176047	1	1	*	*	*	*	*	*	*	*	*	*	*	*	*	*
AV	BRACKET BURNER 3 BURNER	1177729	*	*	1	1	1	1	1	1	1	1	1	1	1	1	1	1
AW	BRACKET SWITCH	1177730	1	1	1	1	1	1	1	1	1	1	1	1	1	1	1	1
BA	PANEL CORNER 20" HAIRPIN	1176113	1	1	1	1	1	1	1	1	1	1	*	*	*	*	*	*
BA	PANEL CORNER 24" HAIRPIN	1177352	*	*	*	*	*	*	*	*	*	*	1	1	1	1	1	1
BB	SUPPORT BLOWER	1176085	1	1	1	1	1	1	1	1	1	1	1	1	1	1	1	1
BC	PARTITION COIL SUPPLY	1176084	1	1	1	1	1	1	1	1	1	1	1	1	1	1	1	1
BD	SUPPORT BLOWER	1176784	1	1	1	1	1	1	1	1	1	1	1	1	1	1	1	1
BE	SHEILD BASE PAN	1176086	1	1	1	1	1	1	1	1	1	1	1	1	1	1	1	1
BF	INSULATION RETURN DUCT PANEL	1176087	1	1	1	1	1	1	1	1	1	1	1	1	1	1	1	1
BG	COMPRESSOR MTG BOLT	1176731	4	4	4	4	4	4	4	4	4	4	4	4	4	4	4	4
BH	INSULATION COIL PARTITION	1176153	1	1	1	1	1	1	1	1	1	1	1	1	1	1	1	1
BJ	INSULATION COIL PARTITION	1176786	1	1	1	1	1	1	1	1	1	1	1	1	1	1	1	1
BK	GROMMET	1176613	1	1	1	1	1	1	1	1	1	1	1	1	1	1	1	1
BL	PARTITION COIL EVAP	1176114	*	*	*	*	1	1	1	1	1	1	1	1	1	1	1	1
BM	BLOCKOFF PANEL UPPER	1177326	1	1	1	1	1	1	1	1	1	1	1	1	1	1	1	1
BN	BLOCKOFF PANEL LOWER	1177325	1	1	1	1	1	1	1	1	1	1	1	1	1	1	1	1
PARTS NOT SHOWN																		
)	HARNESS ASY CONT BOX	1177801	1	1	1	1	1	1	1	1	1	1	1	1	1	1	1	1
)	WIRE ASY INGNITION	1177654	1	1	1	1	1	1	1	1	1	1	1	1	1	1	1	1
)	WIRE IGNITION	1175498	1	1	1	1	1	1	1	1	1	1	1	1	1	1	1	1

NOTE: This illustration is for reference only. Your unit may differ in appearance or may not include all components shown.

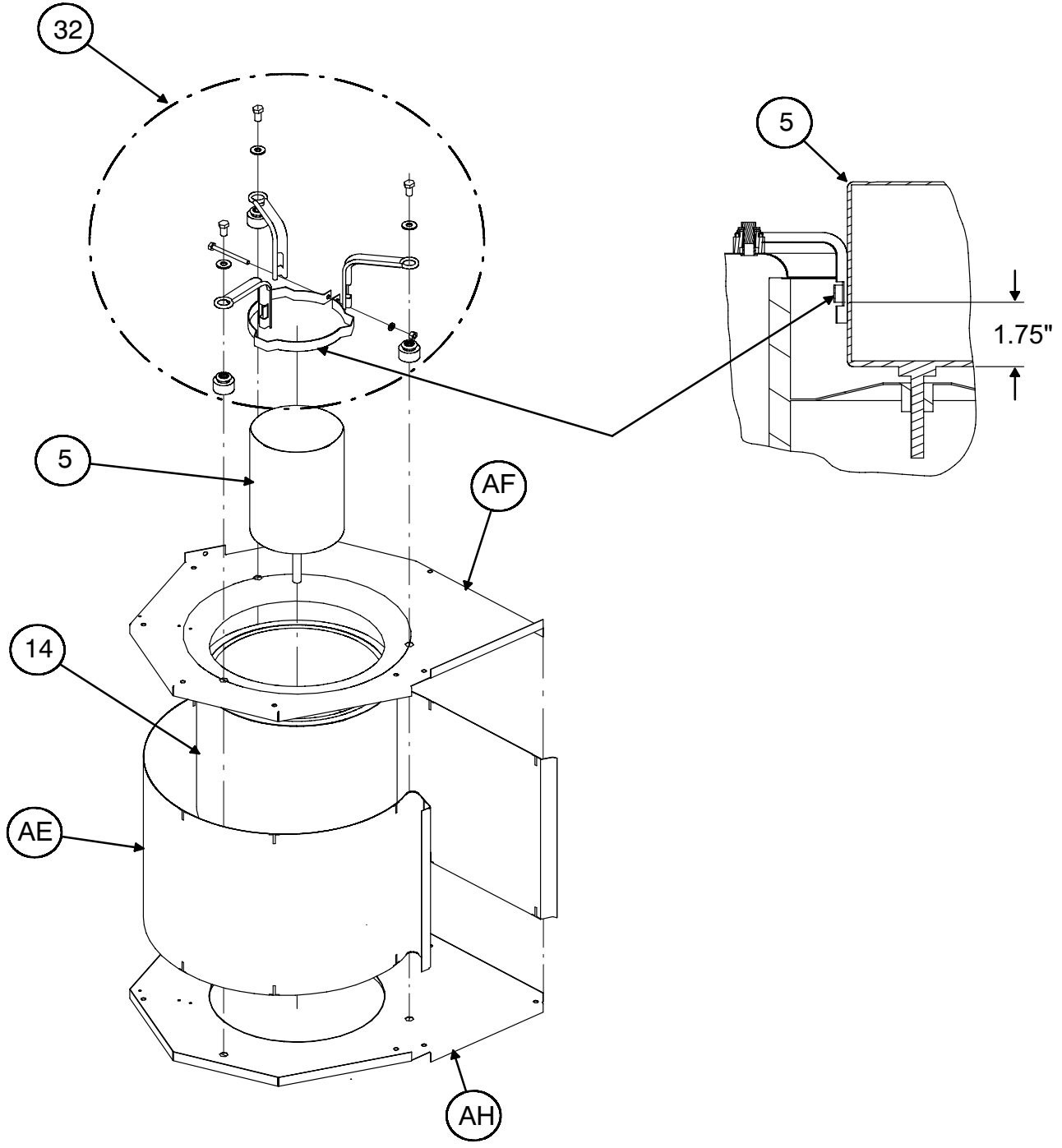


**CONTROL PANEL ASY**

50-10-24

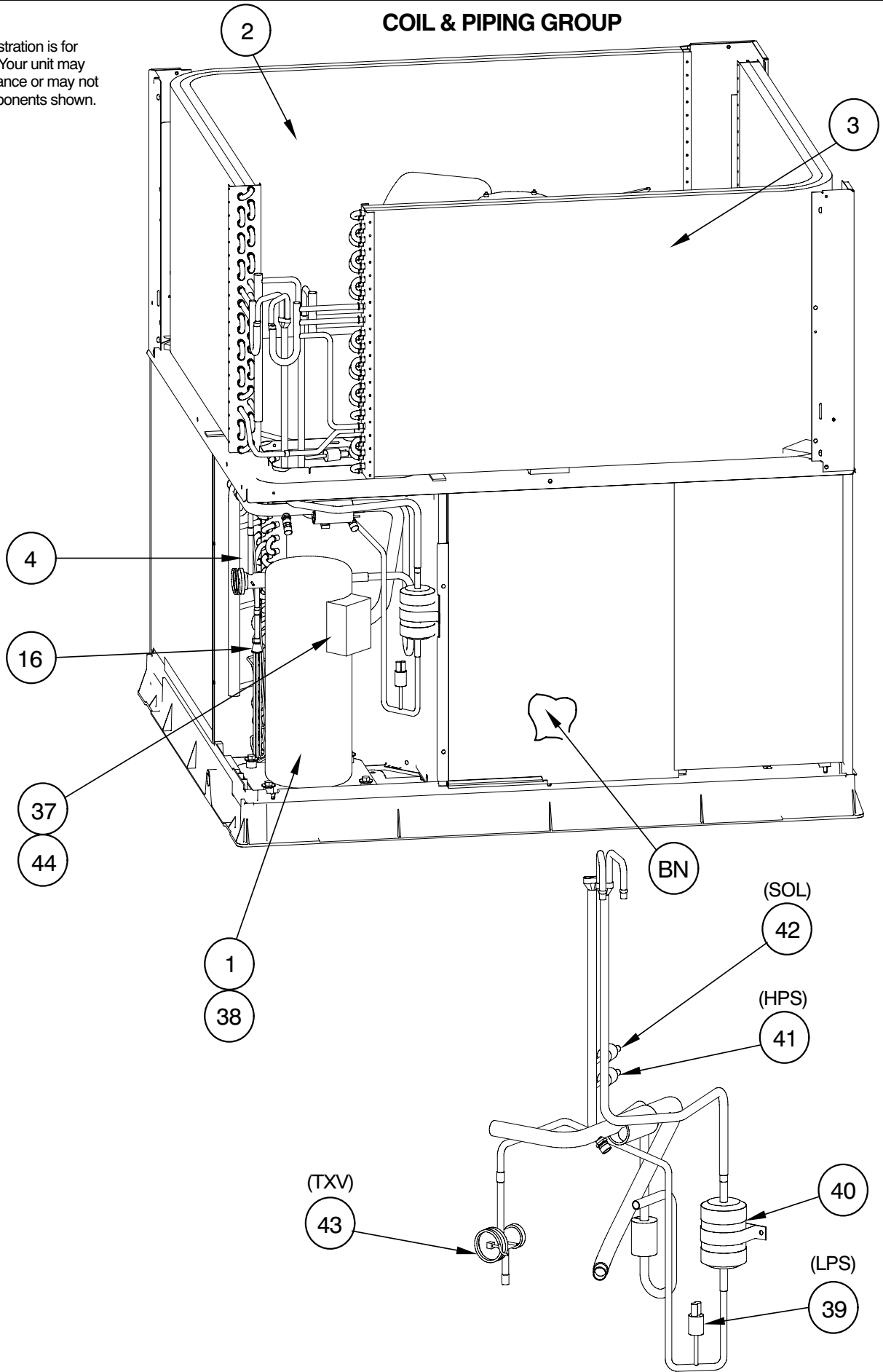
NOTE: This illustration is for reference only. Your unit may differ in appearance or may not include all components shown.

### BLOWER ASY



### COIL & PIPING GROUP

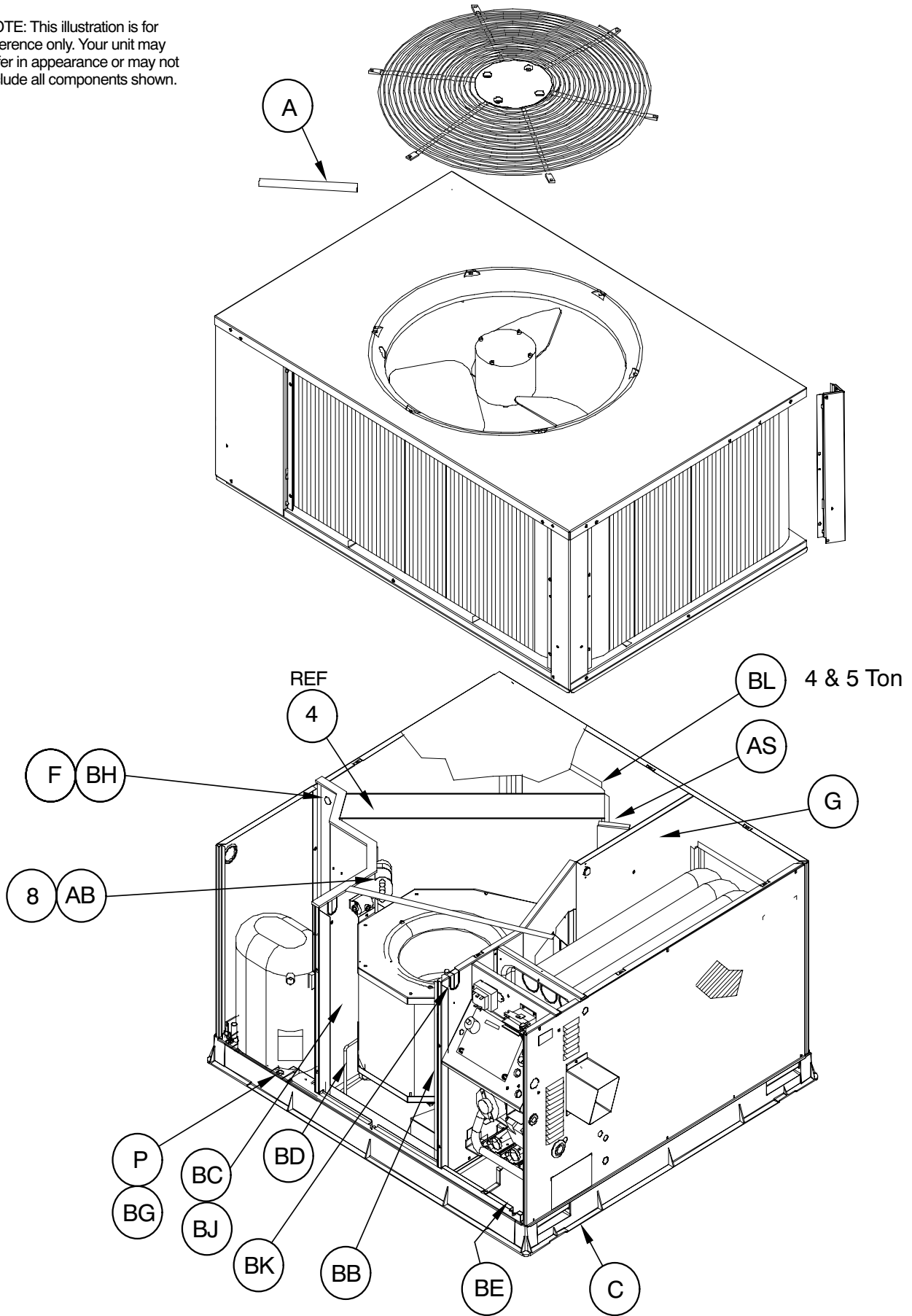
NOTE: This illustration is for reference only. Your unit may differ in appearance or may not include all components shown.



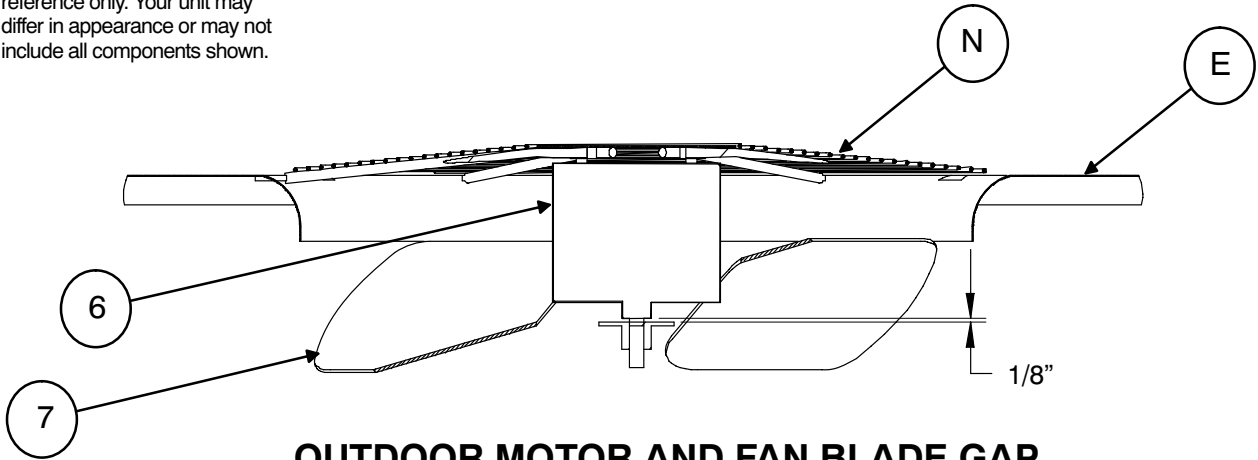
50-10-18



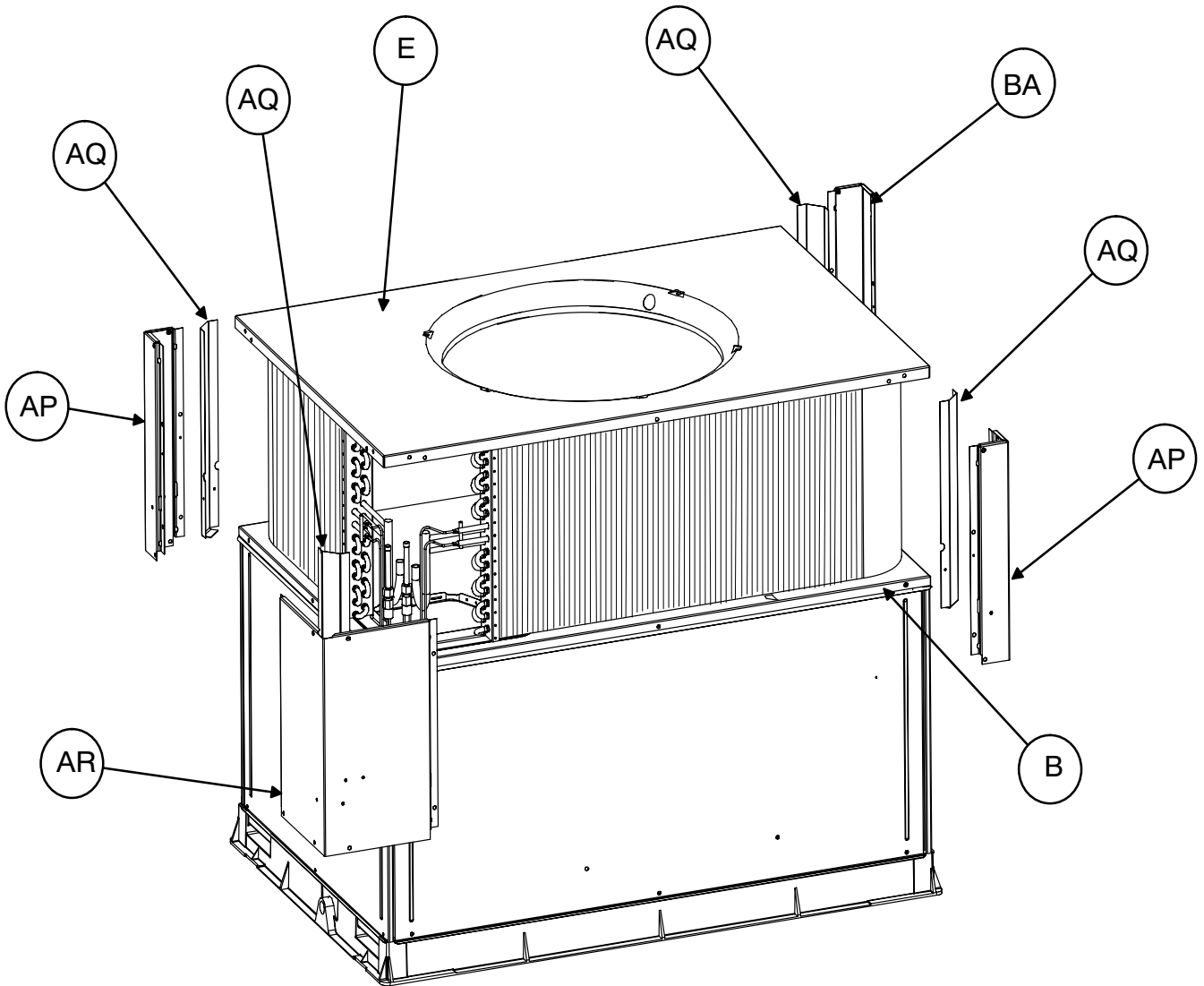
NOTE: This illustration is for reference only. Your unit may differ in appearance or may not include all components shown.



NOTE: This illustration is for reference only. Your unit may differ in appearance or may not include all components shown.

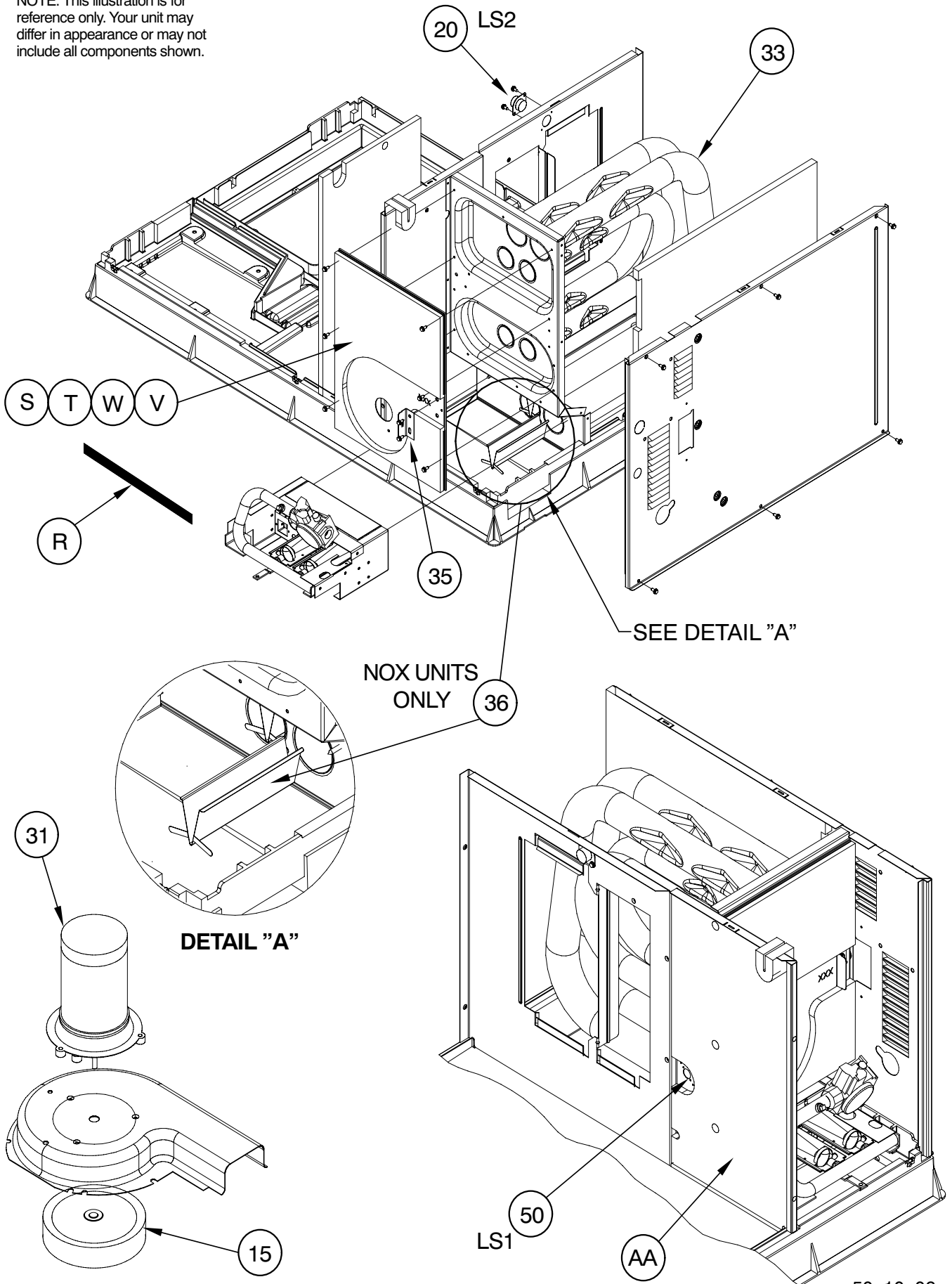


### OUTDOOR MOTOR AND FAN BLADE GAP



**GAS SECTION**

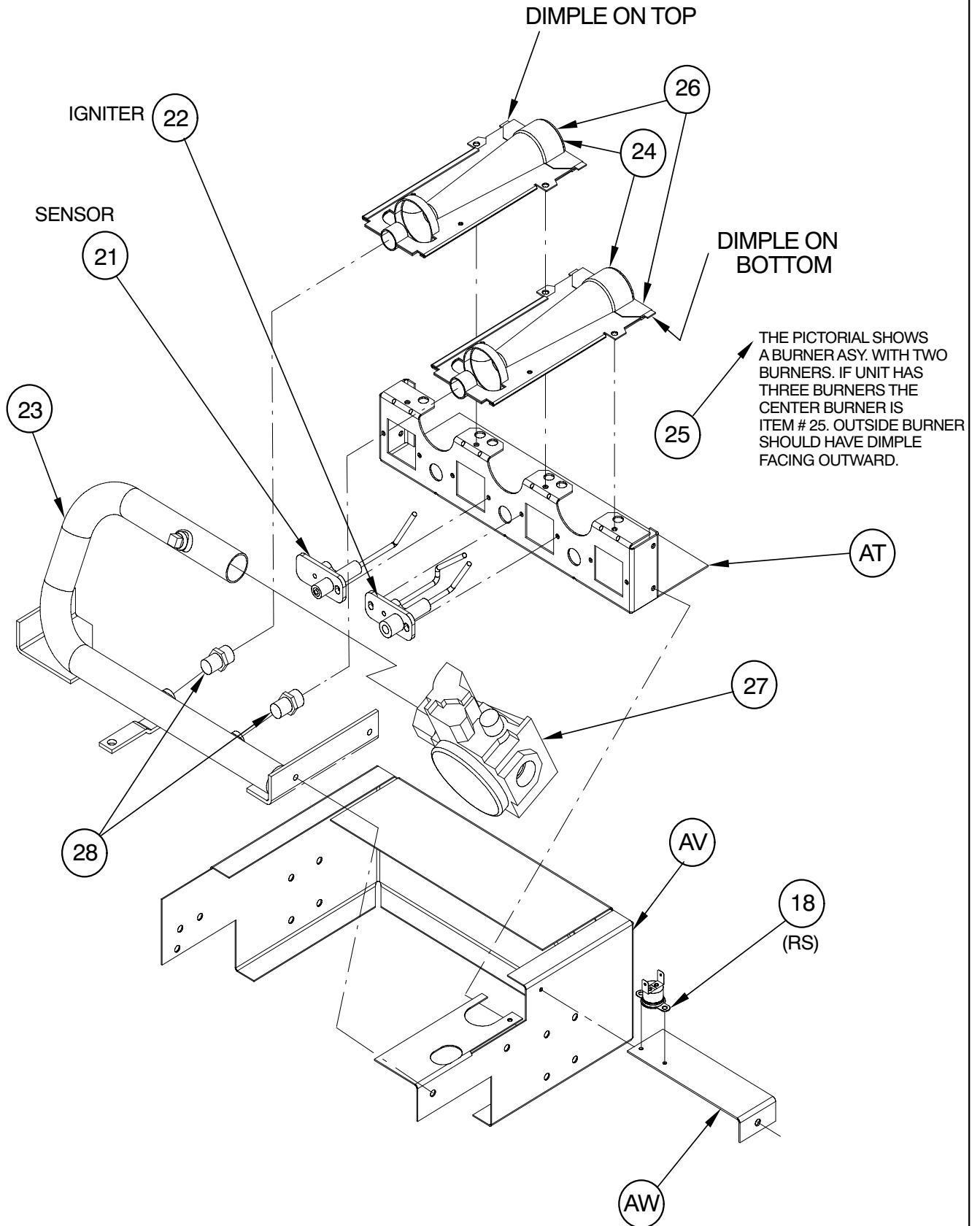
NOTE: This illustration is for reference only. Your unit may differ in appearance or may not include all components shown.



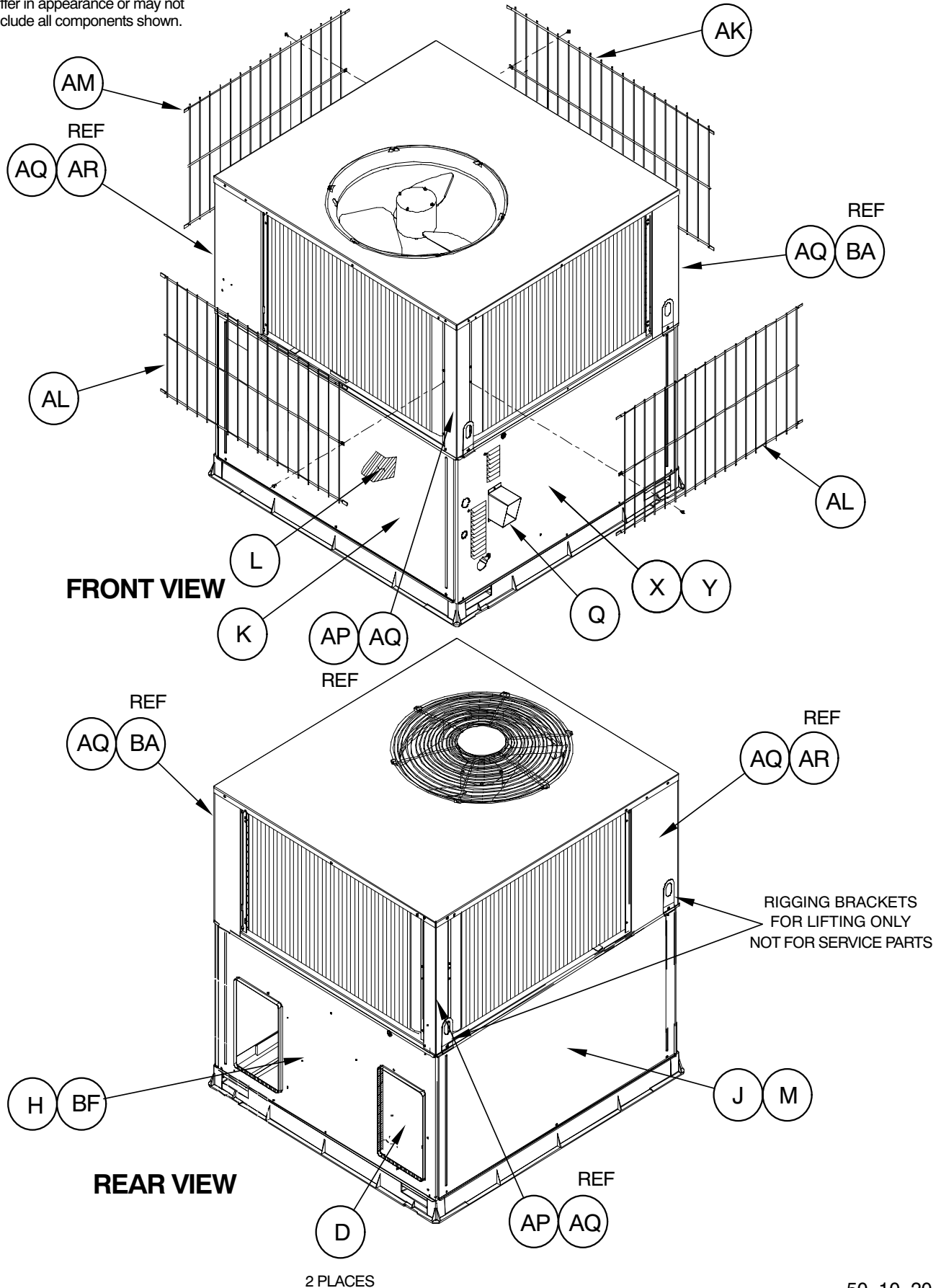
50-10-06

NOTE: This illustration is for reference only. Your unit may differ in appearance or may not include all components shown.

### BURNER ASY



NOTE: This illustration is for reference only. Your unit may differ in appearance or may not include all components shown.



## PGN4 30 – 60 CHARGING CHART

### Charging Procedure

- 1- Measure Discharge line pressure by attaching a gauge to the port.
- 2- Measure the Liquid line temperature by attaching a temperature sensing device to it.
- 3- Insulate the temperature sensing device so that the Outdoor Ambient doesn't affect the reading.
- 4- Refer to the required Subcooling in the table based on the model size and the Outdoor Ambient temperature.
- 5- Interpolate if the Outdoor temperature lies in between the table values.
- 6- Find the Pressure Value corresponding to the the measured Pressure on the Compressor Discharge line.
- 7- Read across from the Pressure reading to obtain the Liquid line temperature for a required Subcooling.
- 8- Add Charge if the measured temperature is higher than the liquid line temperature value in the table.
- 9- Add Charge using the service connection on the Suction line of the Compressor.

**Required Subcooling °F (°C)**

Model Size	Outdoor Ambient Temperature					
	75 (24)	82 (28)	85 (29)	95 (35)	105 (41)	115 (46)
030	16.4 (9.1)	15.9 (8.8)	16.1 (8.9)	13.8 (7.7)	15 (8.3)	14.5 (8.1)
036	14.5 (8.1)	14.1 (7.8)	13.5 (7.5)	12.9 (7.2)	11.8 (6.5)	11 (6.1)
042	14.1 (7.8)	13.6 (7.6)	12.8 (7.1)	11.8 (6.6)	10.3 (5.7)	9.1 (5)
048	9.1 (5.1)	8.5 (4.7)	7.9 (4.4)	6.9 (3.8)	5.9 (3.3)	5.1 (2.9)
060	16.3 (9.1)	15.8 (8.8)	15.4 (8.6)	14.7 (8.2)	13.7 (7.6)	13 (7.2)

**Required Liquid Line Temperature for a Specific Subcooling (R-410A)**

Required Subcooling (psig)	Required Subcooling (°F)			
	5	10	15	25
174	56	51	46	36
181	59	54	49	39
188	61	56	51	41
195	63	58	53	43
202	65	60	55	45
209	67	62	57	47
216	69	64	59	49
223	71	66	61	51
189	61	56	51	41
196	63	58	53	43
203	66	61	56	46
210	68	63	58	48
217	70	65	60	50
224	72	67	62	52
231	74	69	64	54
238	76	71	66	56
245	77	72	67	57
252	79	74	69	59
260	81	76	71	61
268	83	78	73	63
276	85	80	75	65
284	87	82	77	67
292	89	84	79	69
300	91	86	81	71
309	93	88	83	73
318	95	90	85	75
327	97	92	87	77
336	99	94	89	79
345	101	96	91	81
354	103	98	93	83
364	105	100	95	85
374	107	102	97	87
384	108	103	98	88
394	110	105	100	90
404	112	107	102	92
414	114	109	104	94
424	116	111	106	96
434	118	113	108	98
444	119	114	109	99
454	121	116	111	101
464	123	118	113	103
474	124	119	114	104
484	126	121	116	106
494	127	122	117	107
504	129	124	119	109
514	131	126	121	111
524	132	127	122	112
534	134	129	124	114

Required Subcooling (kPa)	Required Subcooling (°C)			
	3	6	8	14
1200	13	11	8	2
1248	15	12	9	4
1296	16	13	10	5
1344	17	14	12	6
1393	18	16	13	7
1441	20	17	14	9
1489	21	18	15	10
1537	22	19	16	11
1303	16	13	11	5
1351	17	15	12	6
1399	19	16	13	8
1448	20	17	14	9
1496	21	18	15	10
1544	22	19	16	11
1593	23	20	18	12
1641	24	21	19	13
1689	25	22	20	14
1737	26	23	21	15
1792	27	25	22	16
1848	29	26	23	17
1903	30	27	24	19
1958	31	28	25	20
2013	32	29	26	21
2068	33	30	27	22
2130	34	31	28	23
2192	35	32	29	24
2254	36	33	31	25
2316	37	34	32	26
2378	38	35	33	27
2440	39	36	34	28
2509	40	38	35	29
2578	41	39	36	30
2647	42	40	37	31
2716	44	41	38	32
2785	45	42	39	33
2854	46	43	40	34
2923	47	44	41	35
2992	48	45	42	36
3061	48	46	43	37
3130	49	47	44	38
3199	50	48	45	39
3268	51	48	46	40
3337	52	49	47	41
3406	53	50	47	42
3475	54	51	48	43
3544	55	52	49	44
3612	56	53	50	45
3681	56	54	51	45

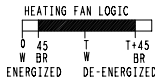
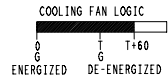
50VL500005 - 2.0

CONNECTION WIRING DIAGRAM

DANGER: ELECTRICAL SHOCK HAZARD DISCONNECT POWER BEFORE SERVICING

NOTES:

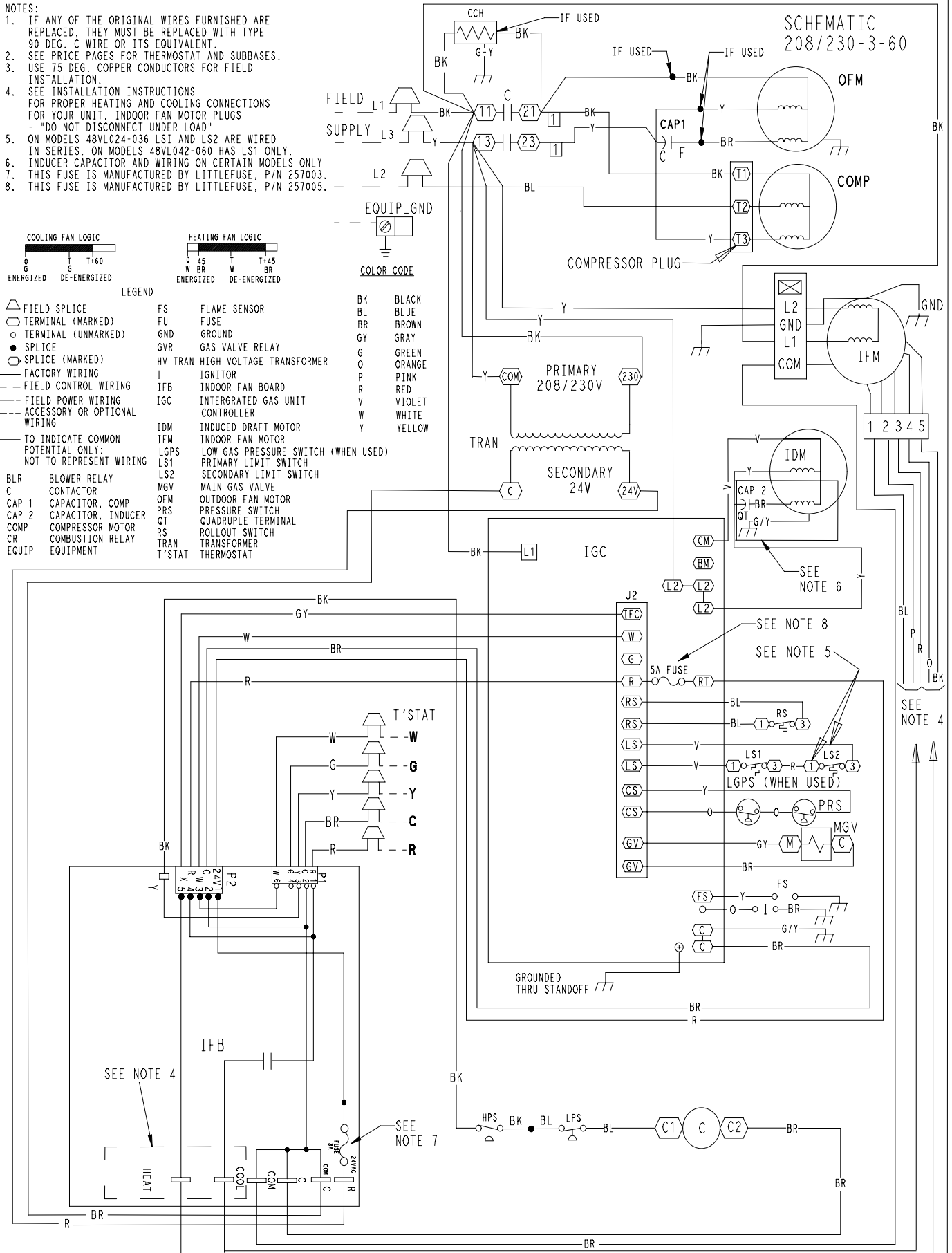
1. IF ANY OF THE ORIGINAL WIRES FURNISHED ARE REPLACED, THEY MUST BE REPLACED WITH TYPE 90 DEG. C WIRE OR ITS EQUIVALENT.
2. SEE PRICE PAGES FOR THERMOSTAT AND SUBBASES.
3. USE 75 DEG. COPPER CONDUCTORS FOR FIELD INSTALLATION.
4. SEE INSTALLATION INSTRUCTIONS FOR PROPER HEATING AND COOLING CONNECTIONS FOR YOUR UNIT. INDOOR FAN MOTOR PLUGS - "DO NOT DISCONNECT UNDER LOAD"
5. ON MODELS 48VL024-036 LS1 AND LS2 ARE WIRED IN SERIES. ON MODELS 48VL042-060 HAS LS1 ONLY.
6. INDUCER CAPACITOR AND WIRING ON CERTAIN MODELS ONLY
7. THIS FUSE IS MANUFACTURED BY LITTLEFUSE, P/N 257003.
8. THIS FUSE IS MANUFACTURED BY LITTLEFUSE, P/N 257005.



- LEGEND
- △ FIELD SPlice
  - TERMINAL (MARKED)
  - TERMINAL (UNMARKED)
  - SPlice
  - SPlice (MARKED)
  - FACTORY WIRING
  - - - FIELD CONTROL WIRING
  - - - FIELD POWER WIRING
  - - - ACCESSORY OR OPTIONAL WIRING
  - TO INDICATE COMMON POTENTIAL ONLY: NOT TO REPRESENT WIRING
  - BLR BLOWER RELAY
  - C CONTACTOR
  - CAP 1 CAPACITOR, COMP
  - CAP 2 CAPACITOR, INDUCER
  - COMP COMPRESSOR MOTOR
  - CR COMBUSTION RELAY
  - EQUIP EQUIPMENT
  - FS FLAME SENSOR
  - FU FUSE
  - GND GROUND
  - GVR GAS VALVE RELAY
  - HV TRAN HIGH VOLTAGE TRANSFORMER
  - I IGNITOR
  - IFB INDOOR FAN BOARD
  - IGC INTEGRATED GAS UNIT CONTROLLER
  - IDM INDUCED DRAFT MOTOR
  - IFM INDOOR FAN MOTOR
  - LGPS LOW GAS PRESSURE SWITCH (WHEN USED)
  - LS1 PRIMARY LIMIT SWITCH
  - LS2 SECONDARY LIMIT SWITCH
  - MGV MAIN GAS VALVE
  - OFM OUTDOOR FAN MOTOR
  - PRS PRESSURE SWITCH
  - QT QUADRUPLE TERMINAL
  - RS ROLLOUT SWITCH
  - TRAN TRANSFORMER
  - T'STAT THERMOSTAT

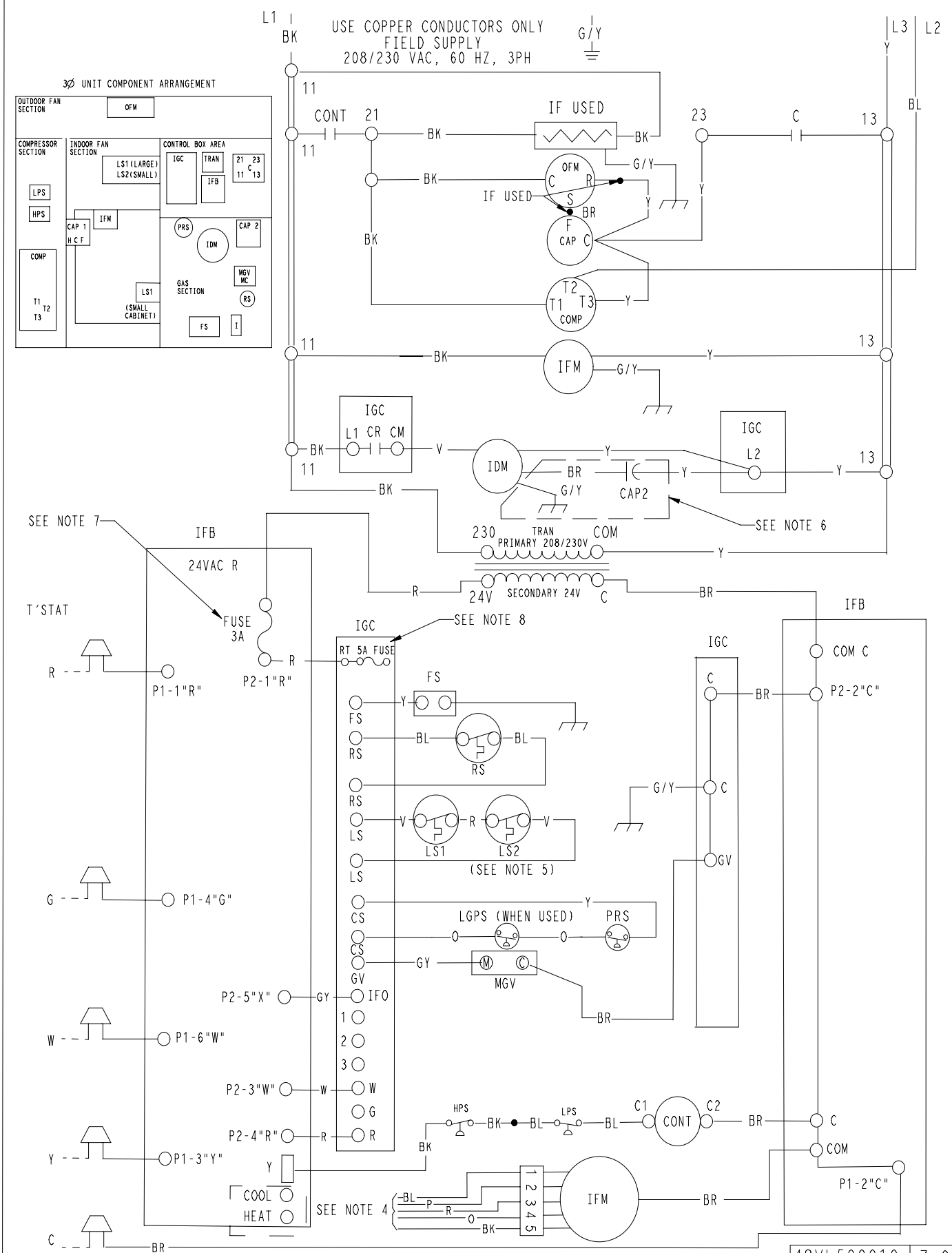
- COLOR CODE
- BK BLACK
  - BL BLUE
  - BR BROWN
  - GY GRAY
  - G GREEN
  - O ORANGE
  - P PINK
  - R RED
  - V VIOLET
  - W WHITE
  - Y YELLOW

SCHEMATIC  
208/230-3-60



LADDER WIRING DIAGRAM

DANGER: ELECTRICAL SHOCK HAZARD DISCONNECT POWER BEFORE SERVICING



48VL500019 | 7.0

509 04 3301 00



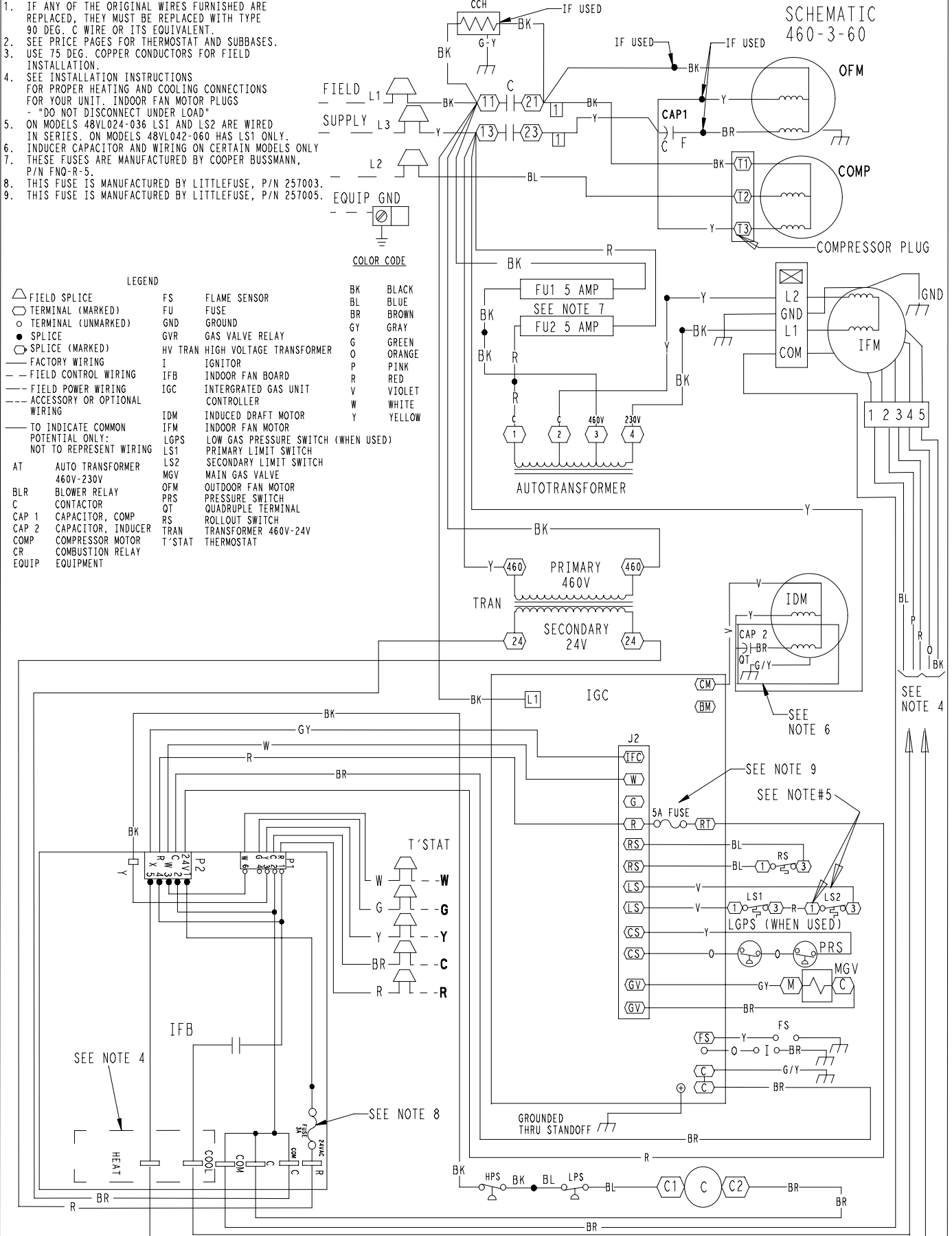
CONNECTION WIRING DIAGRAM

DANGER: ELECTRICAL SHOCK HAZARD DISCONNECT POWER BEFORE SERVICING

NOTES:

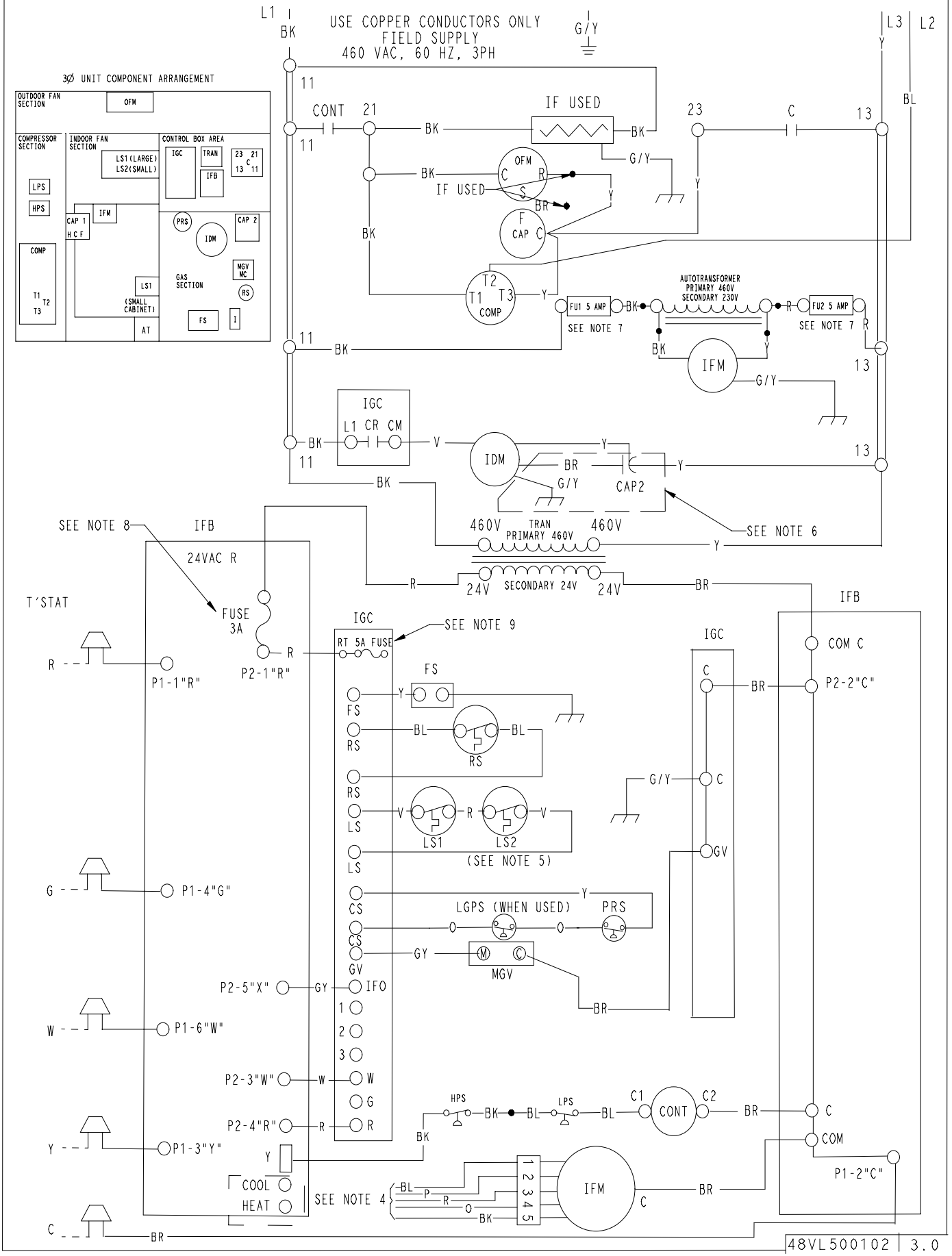
1. IF ANY OF THE ORIGINAL WIRES FURNISHED ARE REPLACED, THEY MUST BE REPLACED WITH TYPE 90 DEG. C WIRE OR ITS EQUIVALENT.
2. SEE PRICE PAGES FOR THERMOSTAT AND SUBBASES.
3. USE 75 DEG. COPPER CONDUCTORS FOR FIELD INSTALLATION.
4. SEE INSTALLATION INSTRUCTIONS FOR PROPER HEATING AND COOLING CONNECTIONS FOR YOUR UNIT. INDOOR FAN MOTOR PLUGS - "DO NOT DISCONNECT UNDER LOAD"
5. ON MODELS 48VLO24-036 LSI AND LS2 ARE WIRED IN SERIES. ON MODELS 48VLO42-060 HAS LS1 ONLY.
6. INDUCER CAPACITOR AND WIRING ON CERTAIN MODELS ONLY
7. THESE FUSES ARE MANUFACTURED BY COOPER BUSSMANN, P/N FNO-R-5
8. THIS FUSE IS MANUFACTURED BY LITTLEFUSE, P/N 257003.
9. THIS FUSE IS MANUFACTURED BY LITTLEFUSE, P/N 257005.

LEGEND		COLOR CODE	
△	FIELD SPLICE	BK	BLACK
○	TERMINAL (MARKED)	BL	BLUE
○	TERMINAL (UNMARKED)	BR	BROWN
●	SPLICE	GY	GRAY
○	SPLICE (MARKED)	G	GREEN
—	FACTORY WIRING	O	ORANGE
---	FIELD CONTROL WIRING	P	PINK
---	FIELD POWER WIRING	R	RED
---	ACCESSORY OR OPTIONAL WIRING	V	VIOLET
---	TO INDICATE COMMON	W	WHITE
---	POTENTIAL ONLY: NOT TO REPRESENT WIRING	Y	YELLOW
AT	AUTO TRANSFORMER 460V-230V		
BLR	BLOWER RELAY		
C	CONTACTOR		
CAP 1	CAPACITOR, COMP		
CAP 2	CAPACITOR, INDUCER		
COMP	COMPRESSOR MOTOR		
CR	COMBUSTION RELAY		
EQUIP	EQUIPMENT		
FS	FLAME SENSOR		
FU	FUSE		
GND	GROUND		
GVR	GAS VALVE RELAY		
HV TRAN	HIGH VOLTAGE TRANSFORMER		
I	IGNITOR		
IFB	INDOOR FAN BOARD		
IGC	INTERGRATED GAS UNIT CONTROLLER		
IDM	INDUCED DRAFT MOTOR		
IFM	INDOOR FAN MOTOR		
LGPS	LOW GAS PRESSURE SWITCH (WHEN USED)		
LS1	PRIMARY LIMIT SWITCH		
LS2	SECONDARY LIMIT SWITCH		
MGV	MAIN GAS VALVE		
OFM	OUTDOOR FAN MOTOR		
PRS	PRESSURE SWITCH		
QT	QUADRUPEL TERMINAL		
TRAN	TRANSFORMER 460V-24V		
T'STAT	THERMOSTAT		



LADDER WIRING DIAGRAM

DANGER: ELECTRICAL SHOCK HAZARD DISCONNECT POWER BEFORE SERVICING



48VL500102 3.0