

Parts List, Charging Chart, Wiring Diagrams

PGH 210 - 300

3 Phase

PACKAGE GAS ELECTRIC UNITS



TABLE OF CONTENTS

PARTS LIST -----	2-9
PARTS DRAWINGS -----	10-30
CHARGING CHARTS -----	31-33
WIRING DIAGRAMS -----	34-36



PGH 210 & 240 PARTS LIST

KEY NO.	DESCRIPTION	FAST PARTS NO.	PGH210HDA00AAA	PGH210HEA00AAA	PGH210HFA00AAA	PGH210LDA00AAA	PGH210LEA00AAA	PGH210LFA00AAA	PGH240HDA00AAA	PGH240HEA00AAA	PGH240HFA00AAA	PGH240LDA00AAA	PGH240LEA00AAA	PGH240LFA00AAA
01	BALL BEARING	1177499	2	2	2	2	2	2	2	2	2	2	2	2
02	BELT V B38	1177496	1	1	1	1	1	1	1	1	1	1	1	1
03	CAP RN OV 370V 10+10	1175708	2	2	2	2	2	2	2	2	2	2	2	2
04	BREAKER 3.2A 1 POLE 250V	1171114	2	2	2	2	2	2	2	2	2	2	2	2
05	COIL ASY COND AL/CU	1177502	1	1	1	1	1	1	1	1	1	1	1	1
06	COIL ASY COND AL/CU	1177501	1	1	1	1	1	1	1	1	1	1	1	1
07	COIL ASY EVAP AL/CU	1177503	1	1	1	1	1	1	*	*	*	*	*	*
07	COIL ASY EVAP AL/CU	1177585	*	*	*	*	*	*	1	1	1	1	1	1
08	COMP SRY782AE	1175396	1	1	1	*	*	*	3	3	3	*	*	*
08	COMP SRH782AE	1175395	*	*	*	1	1	1	*	*	*	3	3	3
09	COMP SRY612HE	1177504	2	2	2	*	*	*	*	*	*	*	*	*
09	COMP SRH612HE	1177579	*	*	*	2	2	2	*	*	*	*	*	*
10	CONTACTOR 2P 30A 24V	1176523	1	1	1	1	1	1	1	1	1	1	1	1
11	CONTACTOR 3P 25A 240V	1171818	4	4	4	4	4	4	1	1	1	4	4	4
12	CONTACTOR AUXILLARY	1177498	3	3	3	3	3	3	3	3	3	3	3	3
13	TRANS 200/230/460>24 75VA	1171496	2	2	2	2	2	2	2	2	2	2	2	2
14	FILTER DRIER	1177508	3	3	3	3	3	3	3	3	3	3	3	3
15	DISTRIBUTOR	1175455	3	3	3	3	3	3	*	*	*	*	*	*
15	DISTRIBUTOR	1173174	*	*	*	*	*	*	3	3	3	3	3	3
16	BOARD TERMINAL LO VOLT 8P	1171488	1	1	1	1	1	1	1	1	1	1	1	1
17	FUSE MIDGET 30 AMP	1177396	2	2	2	2	2	2	2	2	2	2	2	2
18	FUSE HOLDER MOUNT/MIDGET	1177393	2	2	2	2	2	2	2	2	2	2	2	2
19	GROMMET COMPRESSOR MTG	1171269	12	12	12	12	12	12	12	12	12	12	12	12
20	TERMINAL BOARD 24V	1177514	1	1	1	1	1	1	1	1	1	1	1	1
21	KEY SHAFT 1/4X1/4X2-1/4	1171320	1	1	1	1	1	1	1	1	1	1	1	1
22	MTR BLT 3/208-460 3.5 1725	1171341	1	1	1	1	1	1	*	*	*	*	*	*
22	MTR BLT 3/208-460 5 1725	1177581	*	*	*	*	*	*	1	1	1	1	1	1
23	MTR CND 1/230 1/2 1050/1	1177917	4	4	4	*	*	*	4	4	4	*	*	*
23	MTR CND 1/460 1/2 1050/1	1177580	*	*	*	4	4	4	*	*	*	4	4	4
24	NOZZLE ORIFICE	1175909	3	3	3	3	3	3	*	*	*	*	*	*
24	NOZZLE ORIFICE	1170583	*	*	*	*	*	*	3	3	3	3	3	3
25	FAN PROP (3 BLADE)	1177506	4	4	4	4	4	4	4	4	4	4	4	4
26	PULLEY 7/8 X 3.75 1VL40	1171557	1	1	1	1	1	1	*	*	*	*	*	*
26	PULLEY 1-1/8 X 4.75 1VP60	1170699	*	*	*	*	*	*	1	1	1	1	1	1
27	PULLEY BK77 1 3/16	1177507	1	1	1	1	1	1	*	*	*	*	*	*
27	PULLEY 2BK80 1 3/16	1177584	*	*	*	*	*	*	1	1	1	1	1	1
28	RELAY 24V SPST NO	1172422	1	1	1	1	1	1	1	1	1	1	1	1
29	RELAY SENSING	1171434	3	3	3	3	3	3	3	3	3	3	3	3
30	SHAFT FAN	1171451	1	1	1	1	1	1	1	1	1	1	1	1
31	SWITCH HIGH PRESSURE	1177511	3	3	3	3	3	3	3	3	3	3	3	3
32	SWITCH LOW PRESSURE	1177512	3	3	3	3	3	3	3	3	3	3	3	3
33	RELAY PHASE MONITOR	1175906	1	1	1	1	1	1	1	1	1	1	1	1
34	TERMINAL BLOCK	1174337	1	1	1	*	*	*	1	1	1	*	*	*
34	TERMINAL BLOCK	1171486	*	*	*	1	1	1	*	*	*	1	1	1

PGH 210 & 240 PARTS LIST (continued)

KEY NO.	DESCRIPTION	FAST PARTS NO.	PGH210HDA00AAA	PGH210HEA00AAA	PGH210HFA00AAA	PGH210LDA00AAA	PGH210LEA00AAA	PGH210LFA00AAA	PGH240HDA00AAA	PGH240HEA00AAA	PGH240HFA00AAA	PGH240LDA00AAA	PGH240LEA00AAA	PGH240LFA00AAA
35	VALVE TXV 8 TON	1177515	3	3	3	3	3	3	3	3	3	3	3	3
36	BLOWER WHEEL 15X11	1177500	2	2	2	2	2	2	2	2	2	2	2	2
37	CRANKCASE HEATER 70W 240V	1177505	3	3	3	*	*	*	3	3	3	*	*	*
37	CRANKCASE HEATER 70W 480V	1177583	*	*	*	3	3	3	*	*	*	3	3	3
38	BOLT HEX HEAD COMPRESSOR MTG	1171056	12	12	12	12	12	12	12	12	12	12	12	12
39	SWITCH TEMP O30 C45	1177513	3	3	3	3	3	3	3	3	3	3	3	3
40	CONTACTOR 3P 30A 24V	1171164	*	*	*	*	*	*	3	3	3	*	*	*
41	BREAKER 15.8A 3 POLE 240V	1177582	*	*	*	*	*	*	1	1	1	*	*	*
41	BREAKER 7.9A 3 POLE 480V	1170545	*	*	*	*	*	*	*	*	*	1	1	1
42	LIMIT SWITCH	1177708	1	2	2	1	2	2	1	2	2	1	2	2
43	BURNER ASY	1171096	3	6	6	3	6	6	3	6	6	3	6	6
44	BURNER ASY	1171088	2	2	2	2	2	2	2	2	2	2	2	2
45	INSERT RING	1171439	5	8	8	5	8	8	5	8	8	5	8	8
46	MANIFOLD 5 CELL	1177705	1	*	*	1	*	*	1	*	*	1	*	*
46	MANIFOLD 8 CELL	1177704	*	1	1	*	1	1	*	1	1	*	1	1
47	GAS VALVE	1176390	1	1	1	1	1	1	1	1	1	1	1	1
48	TEMP SWITCH	1171484	1	1	1	1	1	1	1	1	1	1	1	1
49	ORIFICE SPUD	1171460	5	*	8	5	*	8	5	*	8	5	*	8
49	ORIFICE SPUD	1171461	*	8	*	*	8	*	*	8	*	*	8	*
50	SENSOR	1177698	1	1	1	1	1	1	1	1	1	1	1	1
51	IGNITER	1177697	1	1	1	1	1	1	1	1	1	1	1	1
52	MTR INDUCER 230V	1177706	1	1	1	*	*	*	1	1	1	*	*	*
52	MTR INDUCER 460V	1177707	*	*	*	1	1	1	*	*	*	1	1	1
53	BLOWER WHEEL INDUCER	1171051	1	1	1	1	1	1	1	1	1	1	1	1
54	CONTROL BOARD 230V	1171166	1	1	1	*	*	*	1	1	1	*	*	*
54	CONTROL BOARD 460V	1171165	*	*	*	1	1	1	*	*	*	1	1	1
55	HEAT EXCHANGER 5 CELL	1177702	1	*	*	1	*	*	1	*	*	1	*	*
55	HEAT EXCHANGER 8 CELL	1177703	*	1	1	*	1	1	*	1	1	*	1	1
56	LIMIT SWITCH	1177709	1	*	*	1	*	*	1	*	*	1	*	*
A	CONDENSER PANEL LOWER	1177537	2	2	2	2	2	2	2	2	2	2	2	2
B	TOP RAIL ECONOMIZER END	1177565	1	1	1	1	1	1	1	1	1	1	1	1
C	CENTER POST	1177528	1	1	1	1	1	1	1	1	1	1	1	1
D	PANEL OUTDOOR UPPER	1177556	1	1	1	1	1	1	1	1	1	1	1	1
E	PANEL OUTDOOR UPPER	1177557	1	1	1	1	1	1	1	1	1	1	1	1
F	CHANNEL HEAT SIDE TOP	1177566	1	1	1	1	1	1	1	1	1	1	1	1
G	BLOCK OFF ECONOMIZER	1177522	1	1	1	1	1	1	1	1	1	1	1	1
H	MOTOR CHANNEL IFM	1177526	1	1	1	1	1	1	1	1	1	1	1	1
J	MOTOR CHANNEL IFM	1177525	1	1	1	1	1	1	1	1	1	1	1	1
K	ANGLE IFM MOUNTING	1177516	1	1	1	1	1	1	1	1	1	1	1	1
L	MOTOR CHANNEL IFM	1177551	1	1	1	1	1	1	1	1	1	1	1	1
M	BEARING SUPPORT	1177519	2	2	2	2	2	2	2	2	2	2	2	2
N	BEARING SUPPORT	1177520	2	2	2	2	2	2	2	2	2	2	2	2
P	ANGLE BRACKET IFM	1177524	2	2	2	2	2	2	2	2	2	2	2	2
R	SLIDE BRACKET IFM	1177563	1	1	1	1	1	1	1	1	1	1	1	1

PGH 210 & 240 PARTS LIST (continued)

KEY NO.	DESCRIPTION	FAST PARTS NO.	PGH210HDA00AAA	PGH210HEA00AAA	PGH210HFA00AAA	PGH210LDA00AAA	PGH210LEA00AAA	PGH210LFA00AAA	PGH240HDA00AAA	PGH240HEA00AAA	PGH240HFA00AAA	PGH240LDA00AAA	PGH240LEA00AAA	PGH240LFA00AAA
S	ANGLE IFM MOUNTING	1177517	1	1	1	1	1	1	1	1	1	1	1	1
T	ORIFICE RING OUTDOOR FAN	1177552	4	4	4	4	4	4	4	4	4	4	4	4
W	UTILITY COVER	1177567	1	1	1	1	1	1	1	1	1	1	1	1
X	INSULN ASY NO INTAKE	1177545	1	1	1	1	1	1	1	1	1	1	1	1
Y	PATCH PLATE NO POWER EXHAUST	1177558	1	1	1	1	1	1	1	1	1	1	1	1
Z	GRILLE	1171267	4	4	4	4	4	4	4	4	4	4	4	4
AA	PLATE POWER SUPPLY	1177559	1	1	1	1	1	1	1	1	1	1	1	1
AB	CHANNEL IFM DECK SUPPORT	1177532	1	1	1	1	1	1	1	1	1	1	1	1
AC	CLAMP CAP OV	1176134	2	2	2	2	2	2	2	2	2	2	2	2
AD	FAN DECK SLIDE OUT	1177539	1	1	1	1	1	1	1	1	1	1	1	1
AE	INSULN ASY INDOOR TOP COVER	1177546	1	1	1	1	1	1	1	1	1	1	1	1
AF	BASEPAN OUTDOOR	1177518	1	1	1	1	1	1	1	1	1	1	1	1
AG	BRACKET TXV	1177632	2	2	2	2	2	2	2	2	2	2	2	2
AH	TOP COVER OUTDOOR FAN	1177564	2	2	2	2	2	2	2	2	2	2	2	2
AJ	INSULN ASY INDOOR TOP COVER	1177547	1	1	1	1	1	1	1	1	1	1	1	1
AK	FAN SIDE PLATE OPPOSITE HAND	1177540	1	1	1	1	1	1	1	1	1	1	1	1
AL	FAN SIDE PLATE	1177570	2	2	2	2	2	2	2	2	2	2	2	2
AM	FAN SIDE PLATE OPPOSITE HAND	1177562	1	1	1	1	1	1	1	1	1	1	1	1
AN	PLATE ASY COMPRESSOR MTG	1177560	1	1	1	1	1	1	1	1	1	1	1	1
AP	SCROLL 15X11	1177561	2	2	2	2	2	2	2	2	2	2	2	2
AR	FILTER SLIDE BRACKET	1177541	2	2	2	2	2	2	2	2	2	2	2	2
AS	FILTER TRACK LOWER	1177542	1	1	1	1	1	1	1	1	1	1	1	1
AT	INSULN ASY CENTER SUPPORT	1177544	1	1	1	1	1	1	1	1	1	1	1	1
AV	INSULN ASY SUPPLY BASEPAN	1177543	1	1	1	1	1	1	1	1	1	1	1	1
AW	CONDENSER PAN	1177536	1	1	1	1	1	1	1	1	1	1	1	1
AX	COIL SUPPORT OUTER	1177535	1	1	1	1	1	1	1	1	1	1	1	1
AY	COIL SUPPORT OUTER	1177538	1	1	1	1	1	1	1	1	1	1	1	1
AZ	COIL SUPPORT INNER	1177534	1	1	1	1	1	1	1	1	1	1	1	1
BA	COIL SUPPORT INNER	1177533	1	1	1	1	1	1	1	1	1	1	1	1
BB	TOP RAIL FRONT	1177531	1	1	1	1	1	1	1	1	1	1	1	1
BC	CENTER RAIL	1177529	1	1	1	1	1	1	1	1	1	1	1	1
BD	BAFFLE MIDDLE INSIDE	1177523	1	1	1	1	1	1	1	1	1	1	1	1
BE	BAFFLE MIDDLE OUTSIDE	1177549	1	1	1	1	1	1	1	1	1	1	1	1
BF	BLOCK OFF CONDENSER	1177521	1	1	1	1	1	1	1	1	1	1	1	1
BG	BAFFLE MIDDLE	1177550	1	1	1	1	1	1	1	1	1	1	1	1
BH	OUTDOOR RAIL	1177530	1	1	1	1	1	1	1	1	1	1	1	1
BJ	INSULN ASY CENTER POST	1177527	1	1	1	1	1	1	1	1	1	1	1	1
BK	FILTER AIR 16X25X2	1177571	9	9	9	9	9	9	9	9	9	9	9	9
BL	PANEL ECONOMIZER ACCESS	1177553	1	1	1	1	1	1	1	1	1	1	1	1
BM	INSULN ASY CENTER POST	1177548	1	1	1	1	1	1	1	1	1	1	1	1
BN	INSULN ASY CONTROL BOX ACCESS	1177554	1	1	1	1	1	1	1	1	1	1	1	1
BP	INSULN ASY FILTER ACCESS	1177555	1	1	1	1	1	1	1	1	1	1	1	1
BR	ACCESS COVER	1177691	2	2	2	2	2	2	2	2	2	2	2	2
BS	EXHAUST HOOD	1177674	1	1	1	1	1	1	1	1	1	1	1	1

PGH 210 & 240 PARTS LIST (continued)

KEY NO.	DESCRIPTION	FAST PARTS NO.	PGH210HDA00AAA	PGH210HEA00AAA	PGH210HFA00AAA	PGH210LDA00AAA	PGH210LEA00AAA	PGH210LFA00AAA	PGH240HDA00AAA	PGH240HEA00AAA	PGH240HFA00AAA	PGH240LDA00AAA	PGH240LEA00AAA	PGH240LFA00AAA
BT	EXHAUST SCREEN	1177693	1	1	1	1	1	1	1	1	1	1	1	1
BV	SIDE HOOD	1177694	1	1	1	1	1	1	1	1	1	1	1	1
BW	SIDE HOOD	1177695	1	1	1	1	1	1	1	1	1	1	1	1
BX	SIDE HOOD	1177696	1	1	1	1	1	1	1	1	1	1	1	1
BY	EXHAUST SCREEN	1177675	1	1	1	1	1	1	1	1	1	1	1	1
BZ	BURNER BRACKET	1171074	1	1	1	1	1	1	1	1	1	1	1	1
CA	BURNER SUPPORT	1177673	1	1	1	1	1	1	1	1	1	1	1	1
CB	GAS BAFFLE	1171018	5	8	8	5	8	8	5	8	8	5	8	8
CC	RETAINING CLIP	1171117	5	8	8	5	8	8	5	8	8	5	8	8
CD	FLUE BOX TOP/BOTTOM	1177677	2	2	2	2	2	2	2	2	2	2	2	2
CE	FLUE BOX COVER	1177678	1	1	1	1	1	1	1	1	1	1	1	1
CF	INSULATION	1177684	1	1	1	1	1	1	1	1	1	1	1	1
CG	INSULATION	1177685	1	1	1	1	1	1	1	1	1	1	1	1
CH	FLUE EXTENSION	1177680	1	1	1	1	1	1	1	1	1	1	1	1
CJ	FLUE EXTENSION	1177681	1	1	1	1	1	1	1	1	1	1	1	1
CK	FLUE EXTENSION	1177679	2	2	2	2	2	2	2	2	2	2	2	2
CL	INDUCER HOUSING	1177682	1	1	1	1	1	1	1	1	1	1	1	1
CM	MOTOR PLATE	1177690	1	*	*	1	*	*	1	*	*	1	*	*
CM	MOTOR PLATE	1177689	*	1	1	*	1	1	*	1	1	*	1	1
CN	INSULATION	1177687	1	1	1	1	1	1	1	1	1	1	1	1
CP	INSULATION	1177688	1	1	1	1	1	1	1	1	1	1	1	1
CR	INSULN ASY OUTDOOR PARTITION	1177683	1	1	1	1	1	1	1	1	1	1	1	1
CS	INSULATION	1177686	1	1	1	1	1	1	1	1	1	1	1	1
CT	BRACKET	1177672	1	1	1	1	1	1	1	1	1	1	1	1
CV	FLAME RETAINER	1177676	1	*	*	1	*	*	1	*	*	1	*	*
CV	FLAME RETAINER	1177692	*	1	1	*	1	1	*	1	1	*	1	1
CX	INSULN ASY CENTER POST	1177665	1	1	1	1	1	1	1	1	1	1	1	1
CY	INSULN ASY ACCESS PANEL	1177666	1	1	1	1	1	1	1	1	1	1	1	1
CZ	INSULN ASY ACCESS PANEL	1177794	1	1	1	1	1	1	1	1	1	1	1	1
DA	ACCESS PANEL GAS	1177668	1	1	1	1	1	1	1	1	1	1	1	1
DB	INSULN ASY NO EXHAUST	1177628	1	1	1	1	1	1	1	1	1	1	1	1
PARTS NOT SHOWN														
)	HARNESS ASY OFM	1177510	1	1	1	1	1	1	1	1	1	1	1	1
)	HARNESS ASY GAS	1177710	1	1	1	1	1	1	1	1	1	1	1	1
)	HARNESS ASY IFM 230V	1177509	1	1	1	*	*	*	1	1	1	*	*	*
)	HARNESS ASY IFM 460V	1177701	*	*	*	1	1	1	*	*	*	1	1	1
)	HARNESS ASY IFM 230V	1177699	1	1	1	*	*	*	*	*	*	*	*	*
)	HARNESS ASY IFM 460V	1177700	*	*	*	1	1	1	*	*	*	*	*	*
)	HARNESS ASY IFM 230V	1177699	*	*	*	*	*	*	1	1	1	*	*	*
)	HARNESS ASY IFM 460V	1177587	*	*	*	*	*	*	*	*	*	1	1	1
)	HARNESS ASY IFCB	1177916	1	1	1	1	1	1	*	*	*	*	*	*
)	HARNESS ASY IFCB	1177586	*	*	*	*	*	*	1	1	1	1	1	1

PGH 300 PARTS LIST

KEY NO.	DESCRIPTION	FAST PARTS NO.	PGH300HDA00AAA	PGH300HEA00AAA	PGH300HFA00AAA	PGH300LDA00AAA	PGH300LEA00AAA	PGH300LFA00AAA
01	BALL BEARING	1177499	2	2	2	2	2	2
02	BELT V B42	1177613	1	1	1	1	1	1
03	CAP RN OV 370V 10+10	1175708	3	3	3	3	3	3
04	BREAKER 3.2A 1 POLE 250V	1171114	2	2	2	2	2	2
05	COIL ASY COND AL/CU	1177624	1	1	1	1	1	1
06	COIL ASY COND AL/CU	1177623	1	1	1	1	1	1
07	COIL ASY EVAP AL/CU	1177625	1	1	1	1	1	1
08	COMP ZR144KC-TF5-250	ZR144KCTF5250	2	2	2	*	*	*
08	COMP ZR144KC-TFD-250	ZR144KCTFD250	*	*	*	2	2	2
10	CONTACTOR 2P 30A 24V	1176523	1	1	1	1	1	1
11	CONTACTOR 3P 50A 208-240V	1176403	2	2	2	*	*	*
11	CONTACTOR 3P 40A 24V	1171818	*	*	*	2	2	2
12	CONTACTOR AUXILLARY	1177498	*	*	*	2	2	2
13	TRANS 200/230/460>24 75VA	1171496	2	2	2	2	2	2
14	FILTER DRIER	1177620	2	2	2	2	2	2
15	DISTRIBUTOR	1177614	2	2	2	2	2	2
16	BOARD TERMINAL LO VOLT 8P	1171488	1	1	1	1	1	1
17	FUSE MIDGET 30 AMP	1177396	2	2	2	2	2	2
18	FUSE HOLDER MOUNT/MIDGET	1177393	2	2	2	2	2	2
19	GROMMET COMPRESSOR MTG	1171269	8	8	8	8	8	8
20	TERMINAL BOARD 24V	1177514	1	1	1	1	1	1
21	KEY SHAFT 1/4X1/4X2-1/4	1171320	1	1	1	1	1	1
22	MTR 230/460	1177616	1	1	1	1	1	1
23	MTR CND 1/230 1/2 1050/1	1177917	6	6	6	*	*	*
23	MTR CND 1/460 1/2 1050/1	1177580	*	*	*	6	6	6
24	NOZZLE ORIFICE	1177627	2	2	2	2	2	2
25	FAN PROP (3 BLADE)	1177506	6	6	6	6	6	6
26	PULLEY	1177621	1	1	1	1	1	1
27	PULLEY	1177622	1	1	1	1	1	1
28	RELAY 24V DPST 9400-03Q228	1171436	2	2	2	*	*	*
29	RELAY SENSING	1171434	2	2	2	2	2	2
30	SHAFT FAN	1171451	1	1	1	1	1	1
31	SWITCH HIGH PRESSURE	1177511	2	2	2	2	2	2
32	SWITCH LOW PRESSURE	1177512	2	2	2	2	2	2
34	TERMINAL BLOCK 1P 380A 600V	1174337	1	1	1	*	*	*
34	TERMINAL BLOCK 1P 175A 600V	1171486	*	*	*	1	1	1
35	VALVE TXV 15 TON	1177615	2	2	2	2	2	2
36	BLOWER WHEEL 15X11	1177500	2	2	2	2	2	2
37	CRANKCASE HEATER 70W 240V	1177618	2	2	2	*	*	*
37	CRANKCASE HEATER 70W 480V	1177617	*	*	*	2	2	2
38	BOLT HEX HEAD COMPRESSOR MTG	1171056	8	8	8	8	8	8
39	SWITCH TEMP O30 C45	1177513	2	2	2	2	2	2
40	CONTACTOR 3P 30A 24V	1171164	1	1	1	*	*	*
41	BREAKER 22A 3 POLE 240V	1171082	1	1	1	*	*	*

PGH 300 PARTS LIST (continued)

KEY NO.	DESCRIPTION	FAST PARTS NO.	PGH300HDA00AAA	PGH300HEA00AAA	PGH300HFA00AAA	PGH300LDA00AAA	PGH300LEA00AAA	PGH300LFA00AAA
41	BREAKER 12A 3 POLE 600V	1171081	*	*	*	1	1	1
42	LIMIT SWITCH	1177708	1	2	2	1	2	2
43	BURNER ASY	1171096	3	6	6	3	6	6
44	BURNER ASY	1171088	2	2	2	2	2	2
45	INSERT RING	1171439	5	8	8	5	8	8
46	MANIFOLD 5 CELL	1177705	1	*	*	1	*	*
46	MANIFOLD 8 CELL	1177704	*	1	1	*	1	1
47	GAS VALVE	1176390	1	1	1	1	1	1
48	TEMP SWITCH	1171484	1	1	1	1	1	1
49	ORIFICE SPUD	1171460	5	*	8	5	*	8
49	ORIFICE SPUD	1171461	*	8	*	*	8	*
50	SENSOR	1177698	1	1	1	1	1	1
51	IGNITER	1177697	1	1	1	1	1	1
52	MTR INDUCER 230V	1177706	1	1	1	*	*	*
52	MTR INDUCER 460V	1177707	*	*	*	1	1	1
53	BLOWER WHEEL INDUCER	1171051	1	1	1	1	1	1
54	CONTROL BOARD 230V	1171166	1	1	1	*	*	*
54	CONTROL BOARD 460V	1171165	*	*	*	1	1	1
55	HEAT EXCHANGER 5 CELL	1177702	1	*	*	1	*	*
55	HEAT EXCHANGER 8 CELL	1177703	*	1	1	*	1	1
56	LIMIT SWITCH	1177709	1	*	*	1	*	*
A	CONDENSER PANEL LOWER	1177631	2	2	2	2	2	2
B	TOP RAIL ECONOMIZER END	1177565	1	1	1	1	1	1
C	CENTER POST	1177646	1	1	1	1	1	1
D	PANEL OUTDOOR UPPER	1177634	1	1	1	1	1	1
E	PANEL OUTDOOR UPPER	1177643	1	1	1	1	1	1
F	CHANNEL HEAT SIDE TOP	1177566	1	1	1	1	1	1
G	BLOCK OFF ECONOMIZER	1177630	1	1	1	1	1	1
H	MOTOR CHANNEL IFM	1177526	1	1	1	1	1	1
J	MOTOR CHANNEL IFM	1177525	1	1	1	1	1	1
K	ANGLE IFM MOUNTING	1177516	1	1	1	1	1	1
L	MOTOR CHANNEL IFM	1177551	1	1	1	1	1	1
M	BEARING SUPPORT	1177519	2	2	2	2	2	2
N	BEARING SUPPORT	1177520	2	2	2	2	2	2
P	ANGLE BRACKET IFM	1177524	2	2	2	2	2	2
R	SLIDE BRACKET IFM	1177563	1	1	1	1	1	1
S	ANGLE IFM MOUNTING	1177517	1	1	1	1	1	1
T	ORIFICE RING OUTDOOR FAN	1177552	6	6	6	6	6	6
W	UTILITY COVER	1177567	1	1	1	1	1	1
X	INSULN ASY NO INTAKE	1177545	1	1	1	1	1	1
Y	PATCH PLATE	1177558	1	1	1	1	1	1
Z	GRILLE	1171267	6	6	6	6	6	6
AA	PLATE POWER SUPPLY	1177559	1	1	1	1	1	1
AB	CHANNEL IFM DECK SUPPORT	1177532	1	1	1	1	1	1

PGH 300 PARTS LIST (continued)

KEY NO.	DESCRIPTION	FAST PARTS NO.	PGH300HDA00AAA	PGH300HEA00AAA	PGH300HFA00AAA	PGH300LDA00AAA	PGH300LEA00AAA	PGH300LFA00AAA
AC	CLAMP CAP OV	1176134	3	3	3	3	3	3
AD	FAN DECK SLIDE OUT	1177539	1	1	1	1	1	1
AE	INSULN ASY INDOOR TOP COVER	1177546	1	1	1	1	1	1
AF	BASEPAN OUTDOOR	1177518	1	1	1	1	1	1
AG	BRACKET TXV	1177632	2	2	2	2	2	2
AH	TOP COVER OUTDOOR FAN	1177633	1	1	1	1	1	1
AJ	INSULN ASY INDOOR TOP COVER	1177547	1	1	1	1	1	1
AK	FAN SIDE PLATE OPPOSITE HAND	1177540	1	1	1	1	1	1
AL	FAN SIDE PLATE	1177570	2	2	2	2	2	2
AM	FAN SIDE PLATE OPPOSITE HAND	1177562	1	1	1	1	1	1
AN	PLATE ASY COMPRESSOR MTG	1177560	1	1	1	1	1	1
AP	SCROLL 15X11	1177561	2	2	2	2	2	2
AR	FILTER SLIDE BRACKET	1177541	2	2	2	2	2	2
AS	FILTER TRACK LOWER	1177542	1	1	1	1	1	1
AT	INSULN ASY CENTER SUPPORT	1177544	1	1	1	1	1	1
AV	INSULN ASY SUPPLY BASEPAN	1177543	1	1	1	1	1	1
AW	CONDENSER PAN	1177536	1	1	1	1	1	1
AX	COIL SUPPORT OUTER	1177641	1	1	1	1	1	1
AY	COIL SUPPORT OUTER	1177642	1	1	1	1	1	1
AZ	COIL SUPPORT INNER	1177644	1	1	1	1	1	1
BA	COIL SUPPORT INNER	1177664	1	1	1	1	1	1
BB	TOP RAIL FRONT	1177629	1	1	1	1	1	1
BC	CENTER RAIL	1177529	1	1	1	1	1	1
BD	BAFFLE MIDDLE INSIDE	1177639	1	1	1	1	1	1
BE	BAFFLE MIDDLE OUTSIDE	1177640	1	1	1	1	1	1
BF	BLOCK OFF CONDENSER	1177521	1	1	1	1	1	1
BG	BAFFLE MIDDLE	1177645	1	1	1	1	1	1
BH	OUTDOOR RAIL	1177530	1	1	1	1	1	1
BJ	INSULN ASY CENTER POST	1177635	1	1	1	1	1	1
BK	FILTER AIR 20X25X2	1177619	9	9	9	9	9	9
BL	PANEL ECONOMIZER ACCESS	1177553	1	1	1	1	1	1
BM	INSULN ASY CENTER POST	1177636	1	1	1	1	1	1
BN	INSULN ASY CONTROL BOX ACCESS	1177637	1	1	1	1	1	1
BP	INSULN ASY FILTER ACCESS	1177638	1	1	1	1	1	1
BR	ACCESS COVER	1177691	2	2	2	2	2	2
BS	EXHAUST HOOD	1177674	1	1	1	1	1	1
BT	EXHAUST SCREEN	1177693	1	1	1	1	1	1
BV	SIDE HOOD	1177694	1	1	1	1	1	1
BW	SIDE HOOD	1177695	1	1	1	1	1	1
BX	SIDE HOOD	1177696	1	1	1	1	1	1
BY	EXHAUST SCREEN	1177675	1	1	1	1	1	1
BZ	BURNER BRACKET	1171074	1	1	1	1	1	1
CA	BURNER SUPPORT	1177673	1	1	1	1	1	1
CB	GAS BAFFLE	1171018	5	8	8	5	8	8

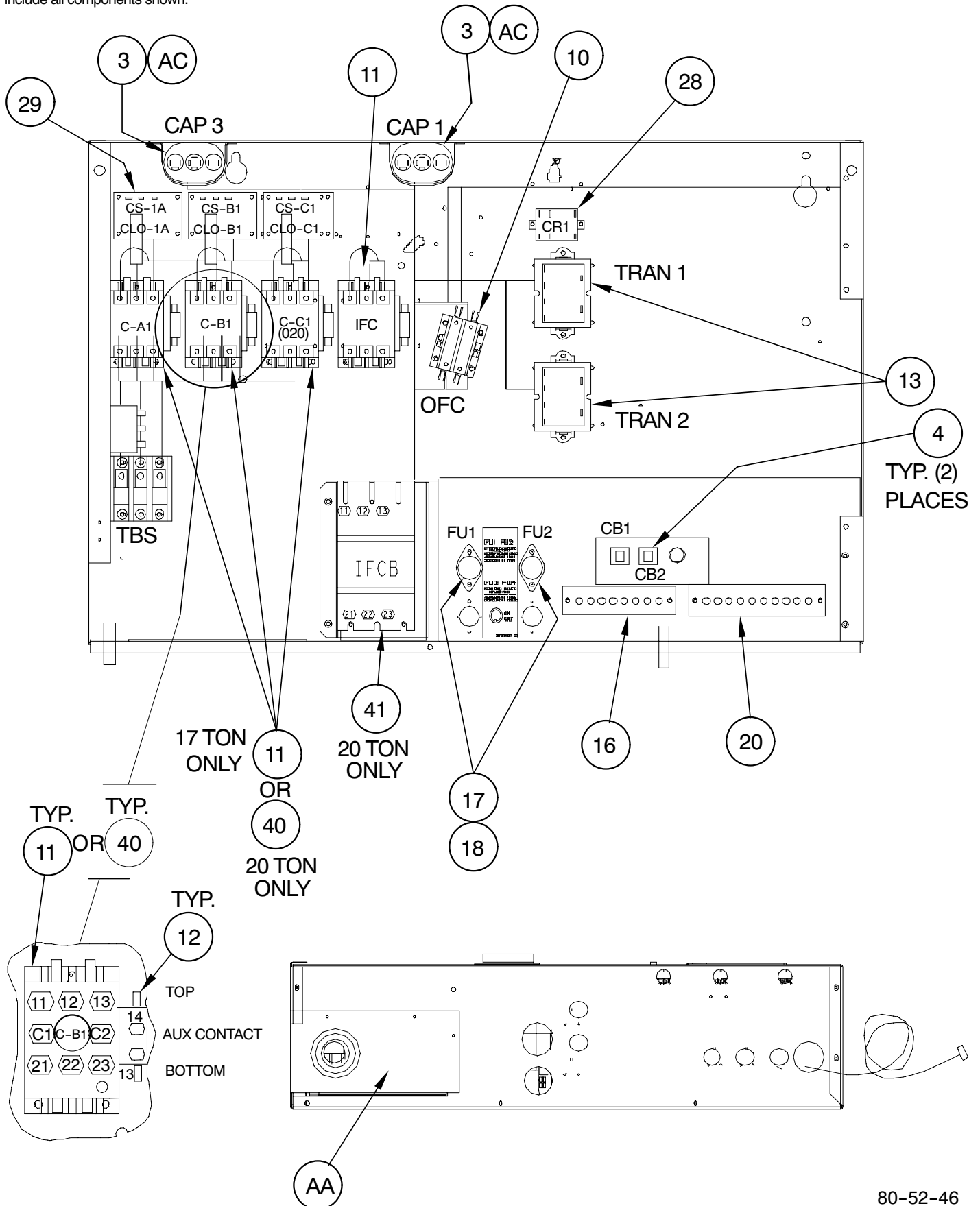
PGH 300 PARTS LIST (continued)

KEY NO.	DESCRIPTION	FAST PARTS NO.	PGH300HDA00AAA	PGH300HEA00AAA	PGH300HFA00AAA	PGH300LDA00AAA	PGH300LEA00AAA	PGH300LFA00AAA
CC	RETAINING CLIP	1171117	5	8	8	5	8	8
CD	FLUE BOX TOP/BOTTOM	1177677	2	2	2	2	2	2
CE	FLUE BOX COVER	1177678	1	1	1	1	1	1
CF	INSULATION	1177684	1	1	1	1	1	1
CG	INSULATION	1177685	1	1	1	1	1	1
CH	FLUE EXTENSION	1177680	1	1	1	1	1	1
CJ	FLUE EXTENSION	1177681	1	1	1	1	1	1
CK	FLUE EXTENSION	1177679	2	2	2	2	2	2
CL	INDUCER HOUSING	1177682	1	1	1	1	1	1
CM	MOTOR PLATE	1177690	1	*	*	1	*	*
CM	MOTOR PLATE	1177689	*	1	1	*	1	1
CN	INSULATION	1177687	1	1	1	1	1	1
CP	INSULATION	1177688	1	1	1	1	1	1
CR	INSULN ASY OUTDOOR PARTITION	1177683	1	1	1	1	1	1
CS	INSULATION	1177686	1	1	1	1	1	1
CT	BRACKET	1177672	1	1	1	1	1	1
CV	FLAME RETAINER	1177676	1	*	*	1	*	*
CV	FLAME RETAINER	1177692	*	1	1	*	1	1
CX	INSULN ASY CENTER POST	1177669	1	1	1	1	1	1
CY	INSULN ASY ACCESS PANEL	1177670	1	1	1	1	1	1
CZ	INSULN ASY ACCESS PANEL	1177925	1	1	1	1	1	1
DA	ACCESS PANEL GAS	1177668	1	1	1	1	1	1
DB	INSULN ASY NO EXHAUST	1177628	1	1	1	1	1	1
PARTS NOT SHOWN								
)	HARNESS ASY OFM	1177626	1	1	1	1	1	1
)	HARNESS ASY GAS	1177710	1	1	1	1	1	1
)	HARNESS ASY IFM	1177509	1	1	1	1	1	1
)	HARNESS ASY IFM	1177587	1	1	1	1	1	1
)	HARNESS ASY IFCB	1177586	1	1	1	1	1	1

PGH 210 & 240

NOTE: This illustration is for reference only. Your unit may differ in appearance or may not include all components shown.

CONTROL BOX GROUP

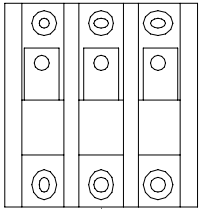
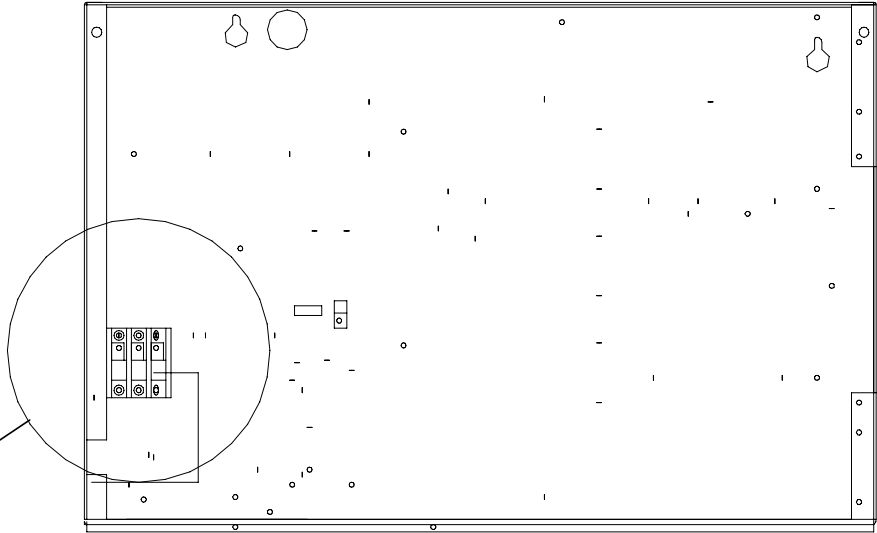


80-52-46

PGH 210 - 300

NOTE: This illustration is for reference only. Your unit may differ in appearance or may not include all components shown.

CONTROL BOX GROUP



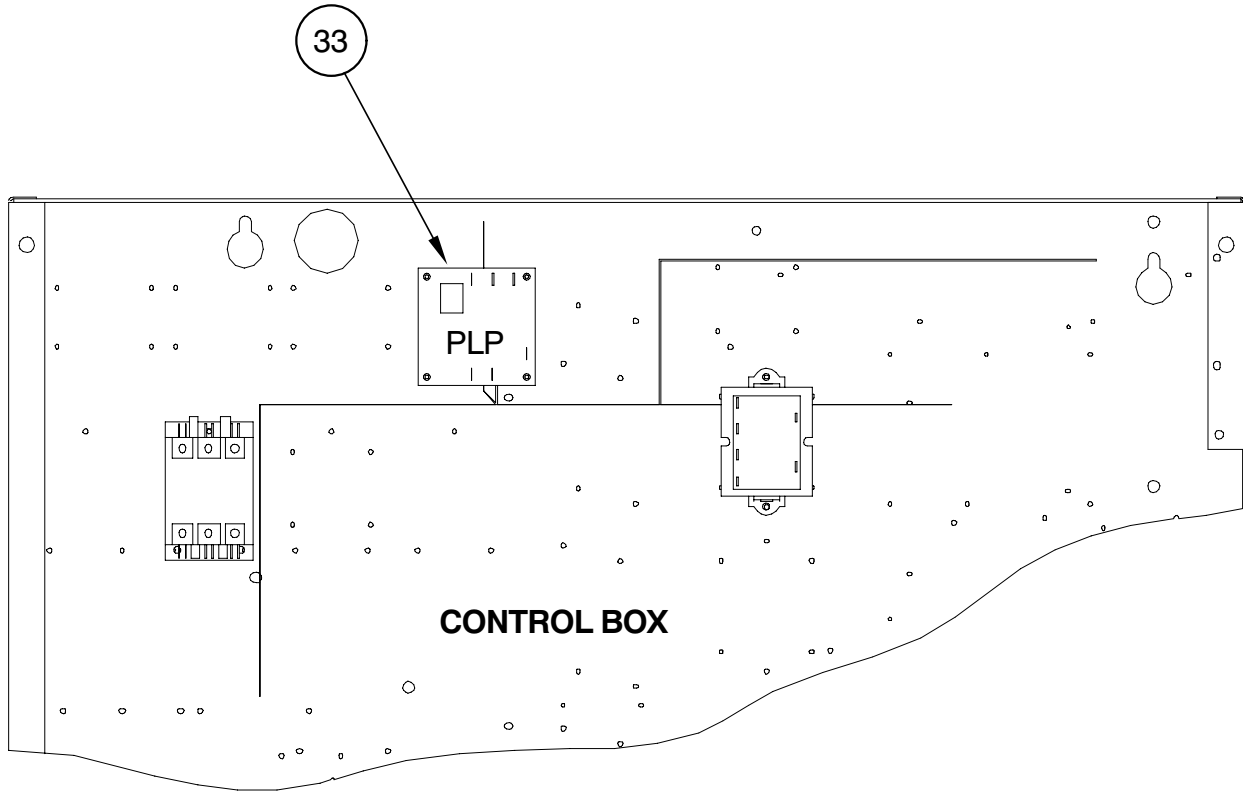
STANDARD TERMINAL BLOCK

34

PGH 210 - 300

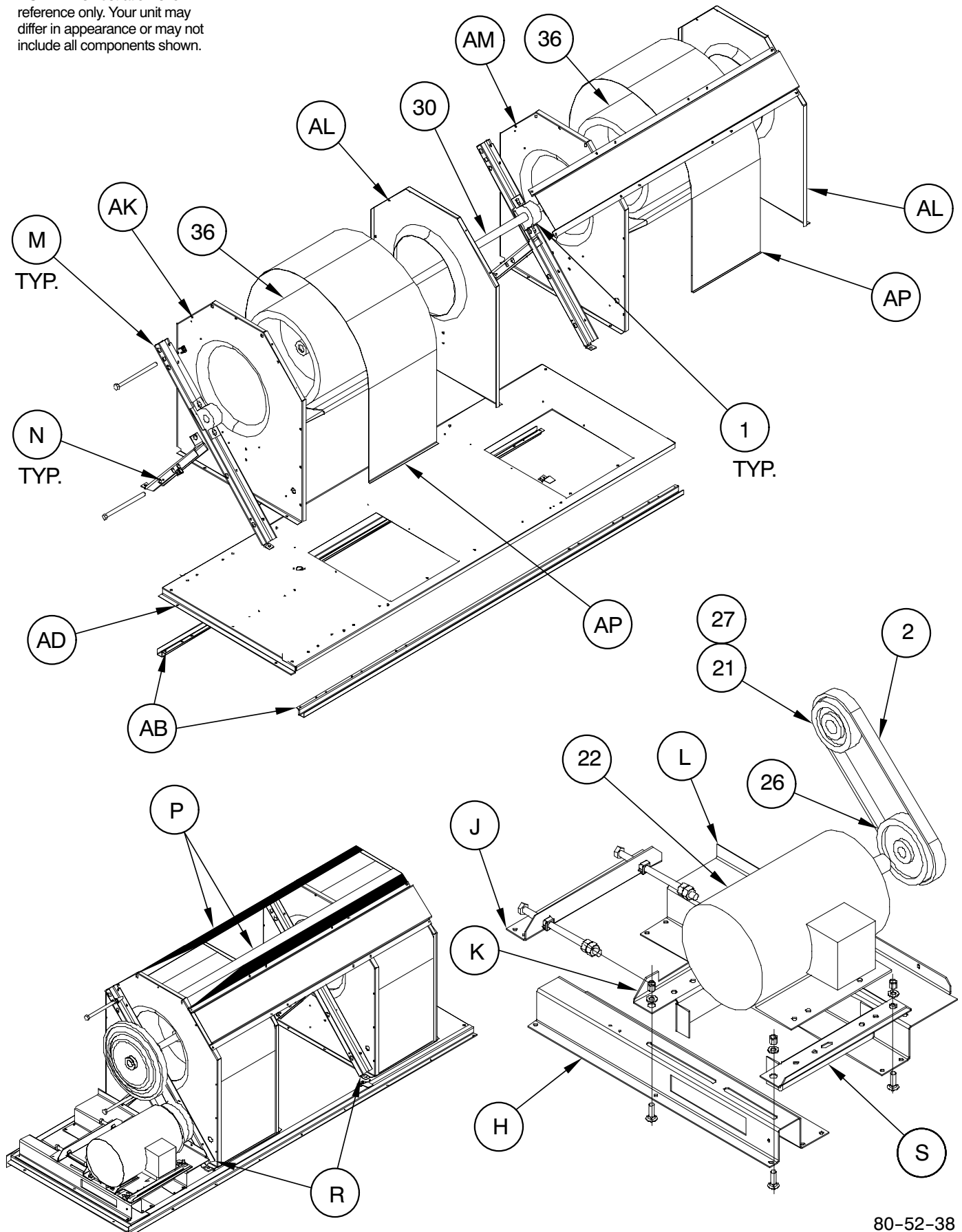
NOTE: This illustration is for reference only. Your unit may differ in appearance or may not include all components shown.

**CONTROL BOX GROUP
(PHASE LOSS PROTECTION)**



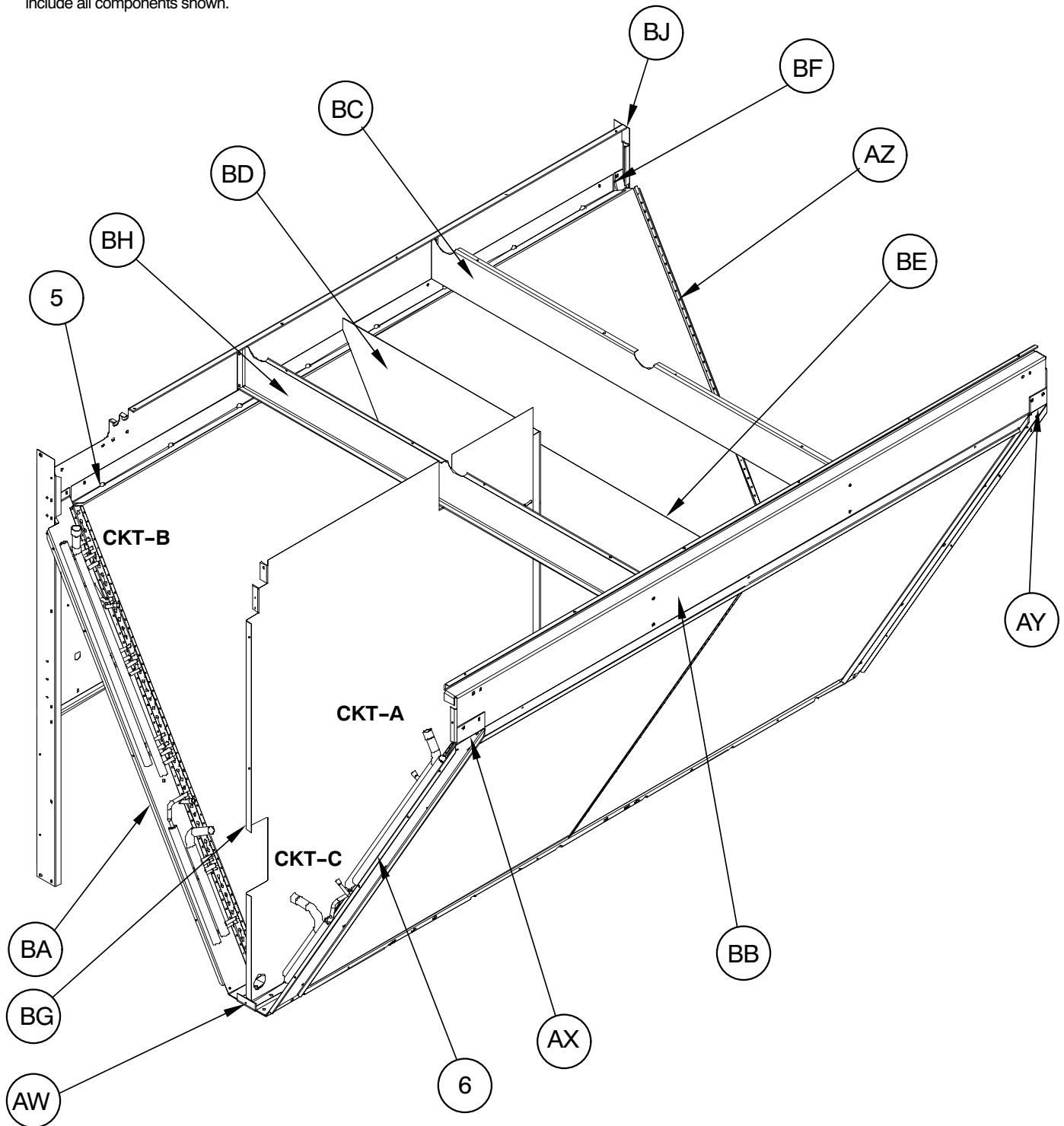
FAN AND MOTOR GROUP

NOTE: This illustration is for reference only. Your unit may differ in appearance or may not include all components shown.



COIL AND PIPING GROUP OUTDOOR COILS

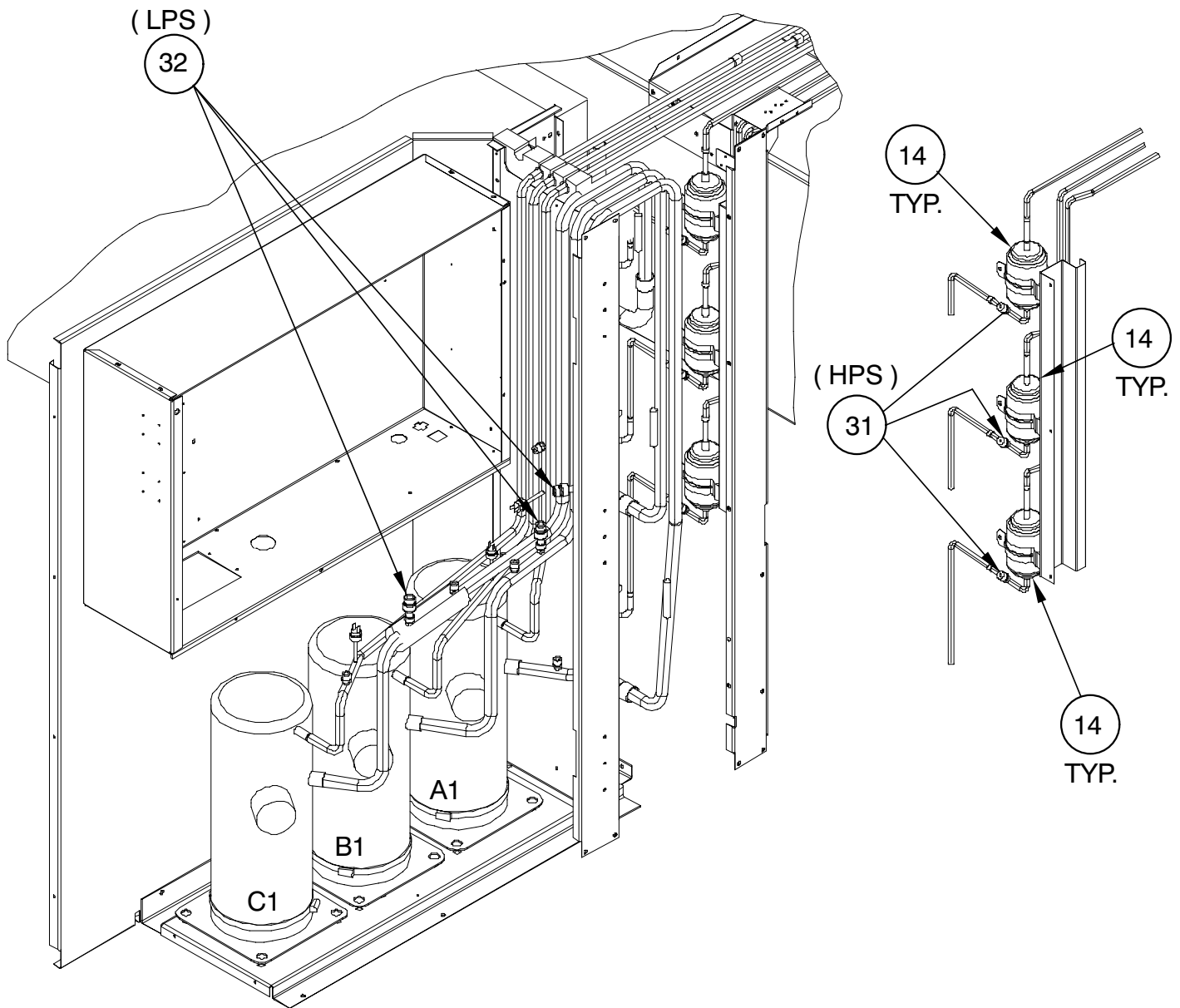
NOTE: This illustration is for reference only. Your unit may differ in appearance or may not include all components shown.



PGH 210 & 240

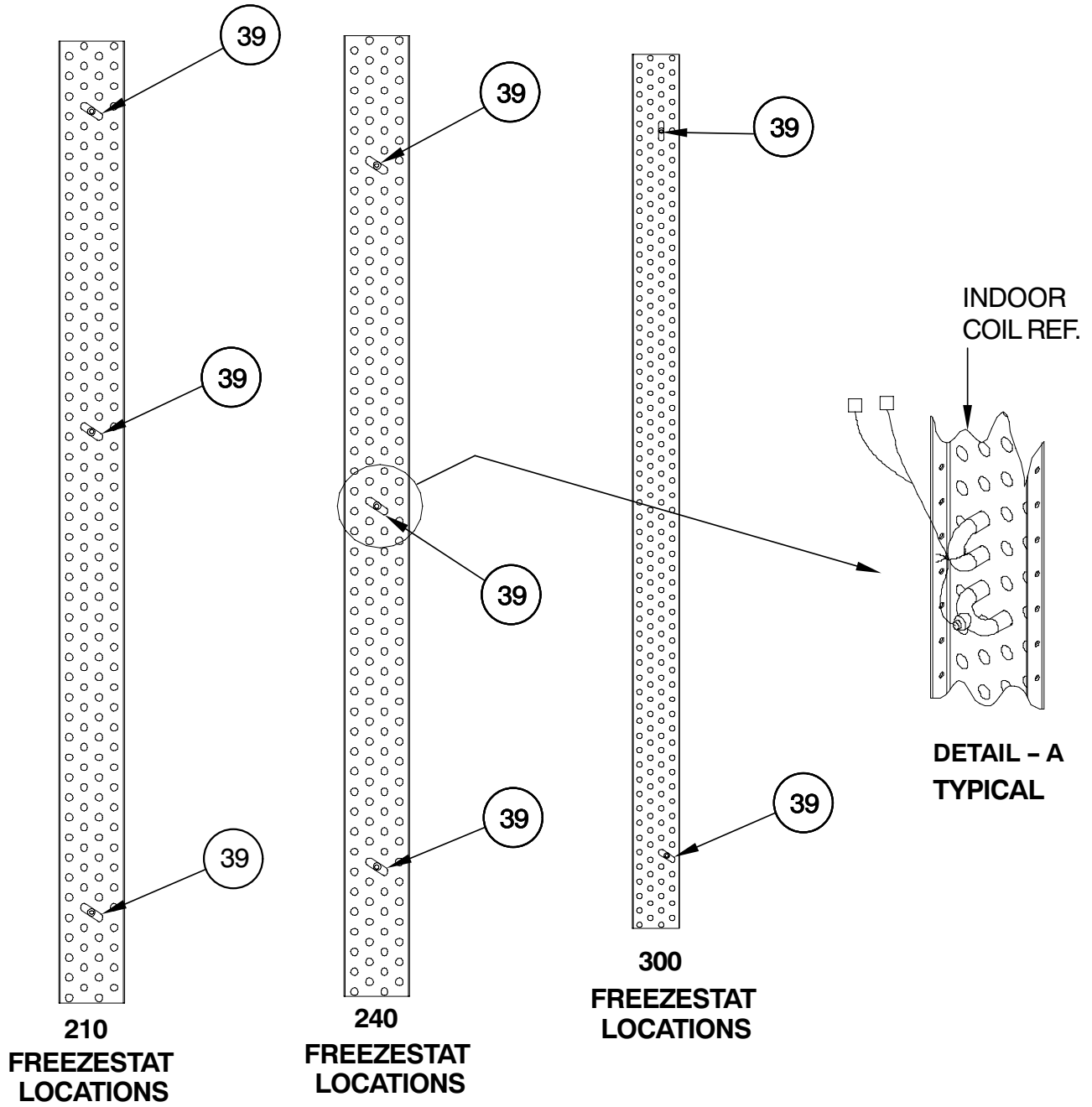
NOTE: This illustration is for reference only. Your unit may differ in appearance or may not include all components shown.

COIL AND PIPING GROUP



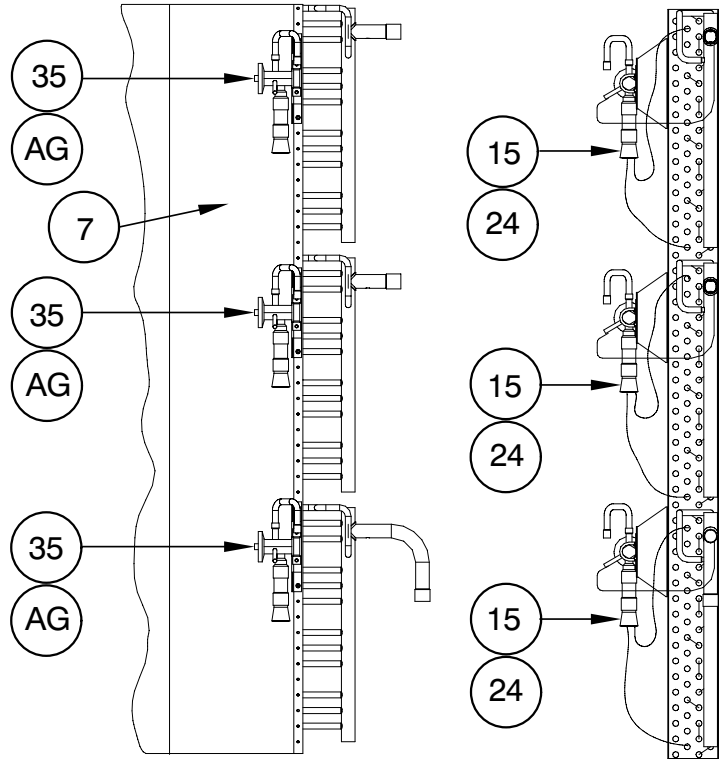
NOTE: This illustration is for reference only. Your unit may differ in appearance or may not include all components shown.

CONTROLS (FPT LOCATIONS ON INDOOR COIL)

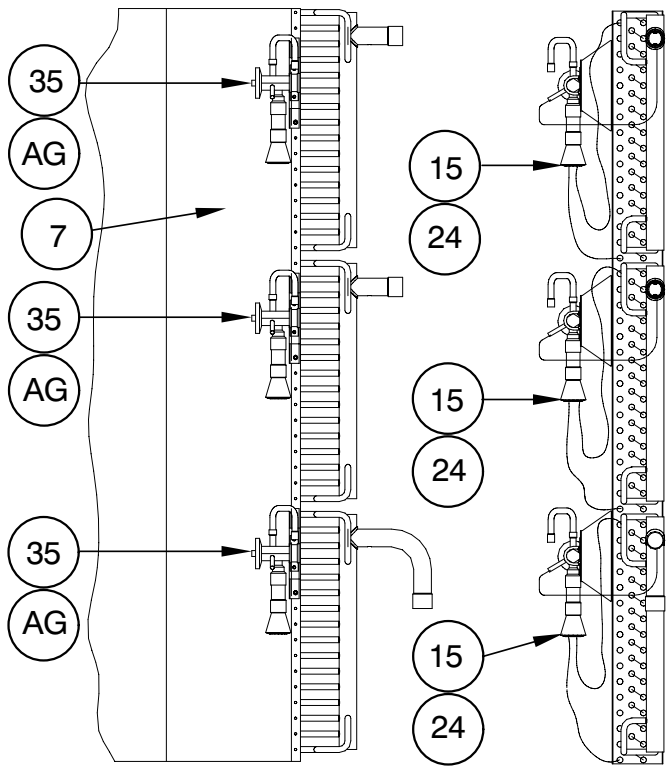


EVAPORATOR 210

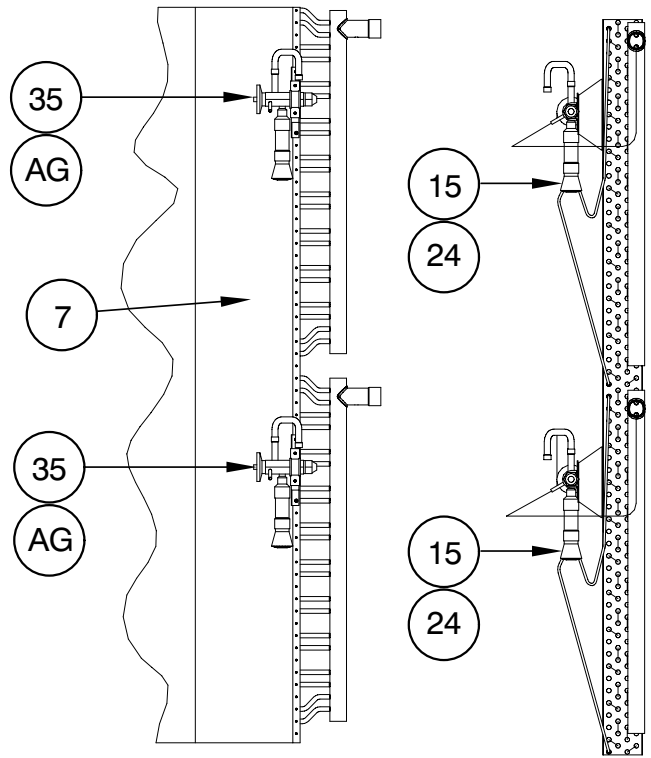
NOTE: This illustration is for reference only. Your unit may differ in appearance or may not include all components shown.



EVAPORATOR 240



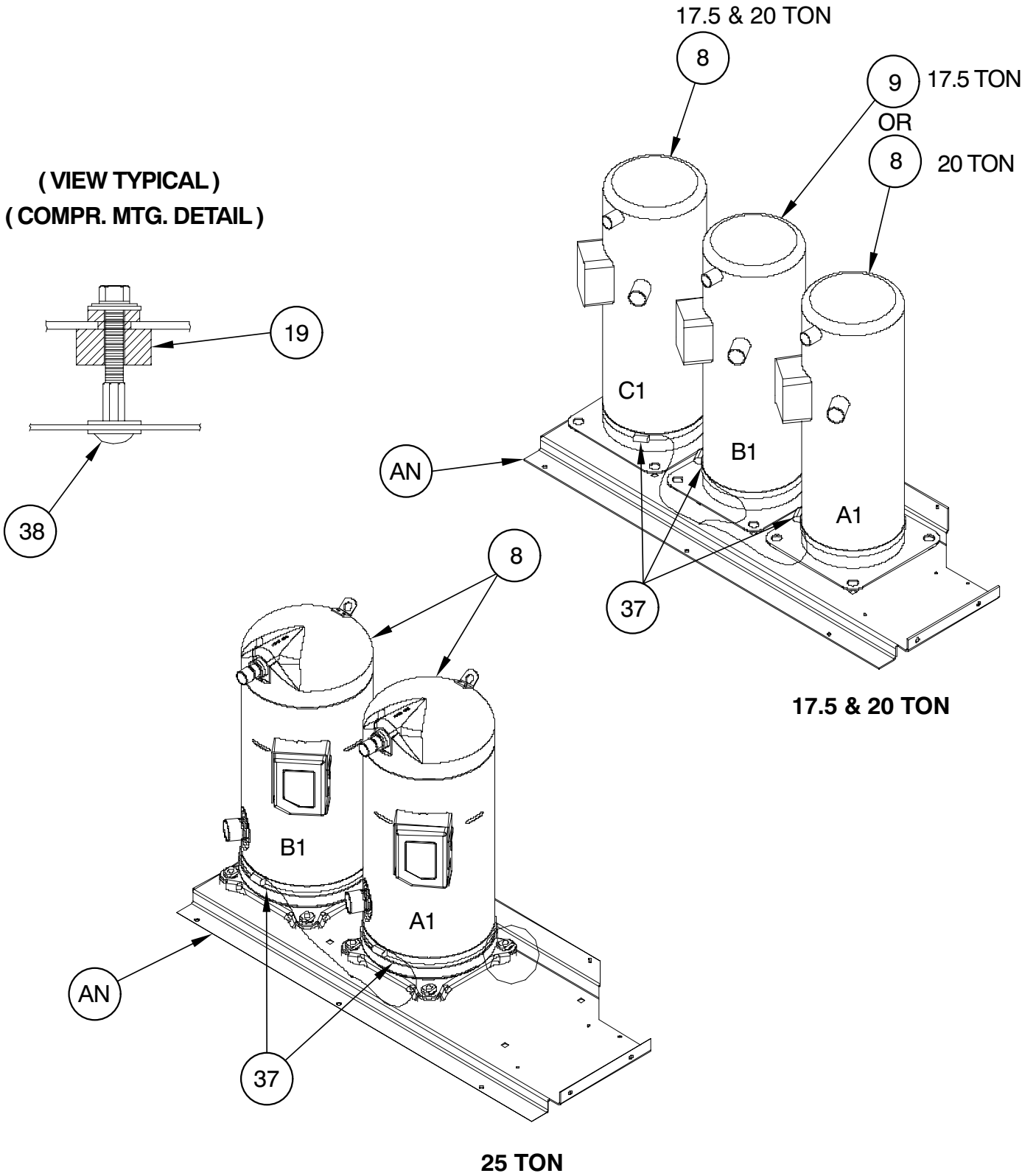
EVAPORATOR 300



NOTE: This illustration is for reference only. Your unit may differ in appearance or may not include all components shown.

COMPRESSOR GROUP

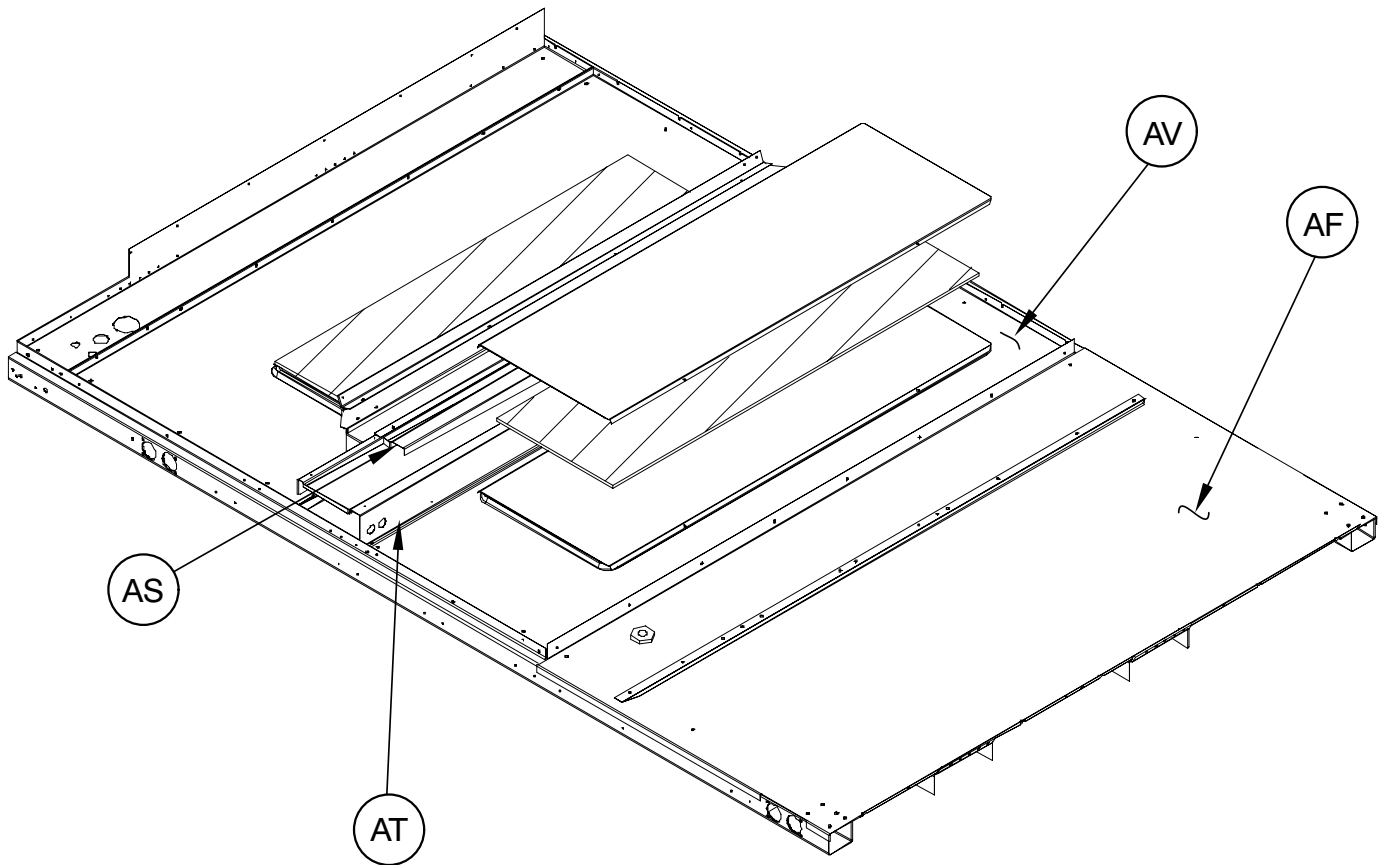
(VIEW TYPICAL)
(COMPR. MTG. DETAIL)



PGH 210 - 300

NOTE: This illustration is for reference only. Your unit may differ in appearance or may not include all components shown.

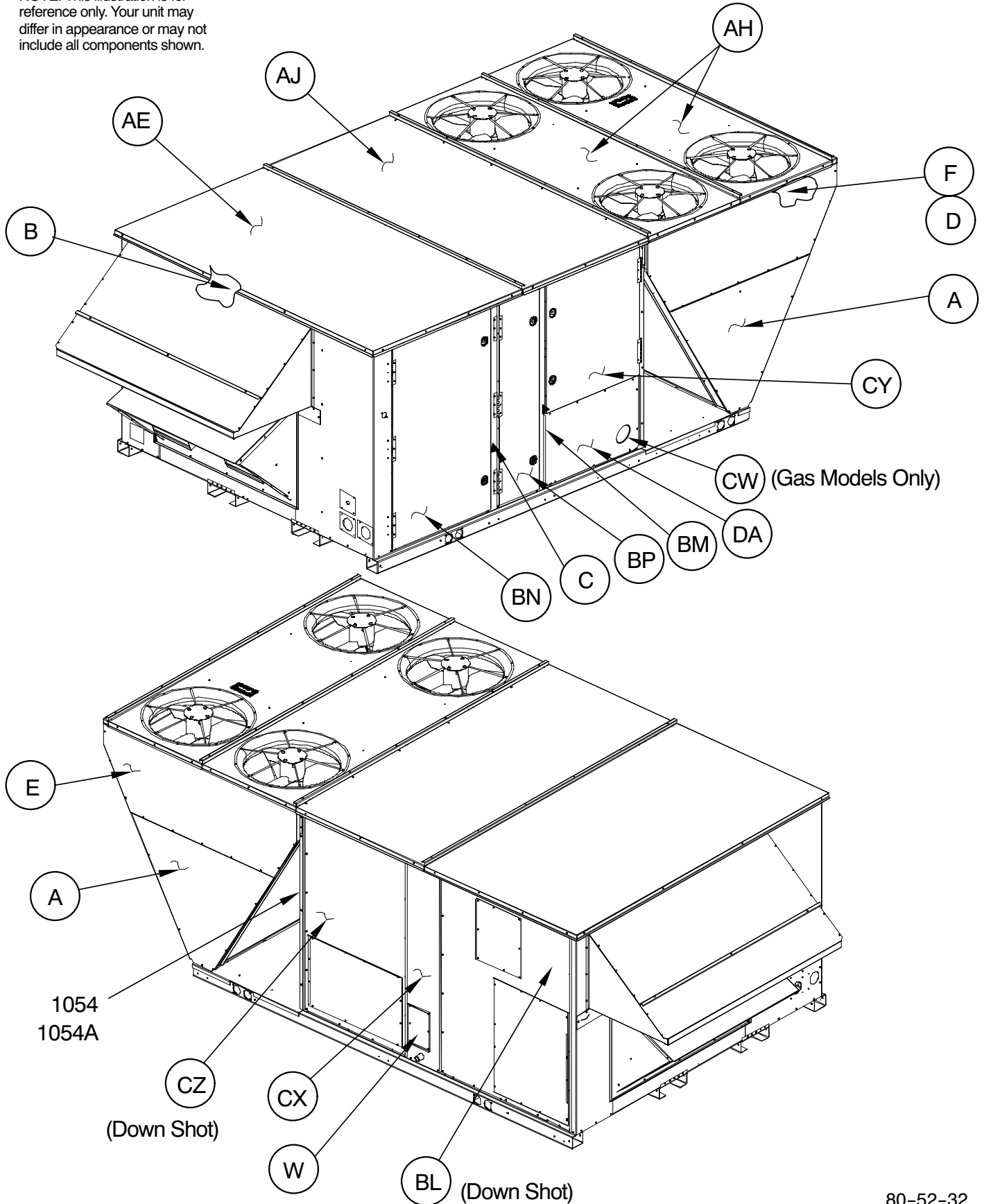
FRAME ASY. - CASING GROUP



80-52-44

20 TON SHOWN (6) OUTDOOR FANS ON THE 25 TON

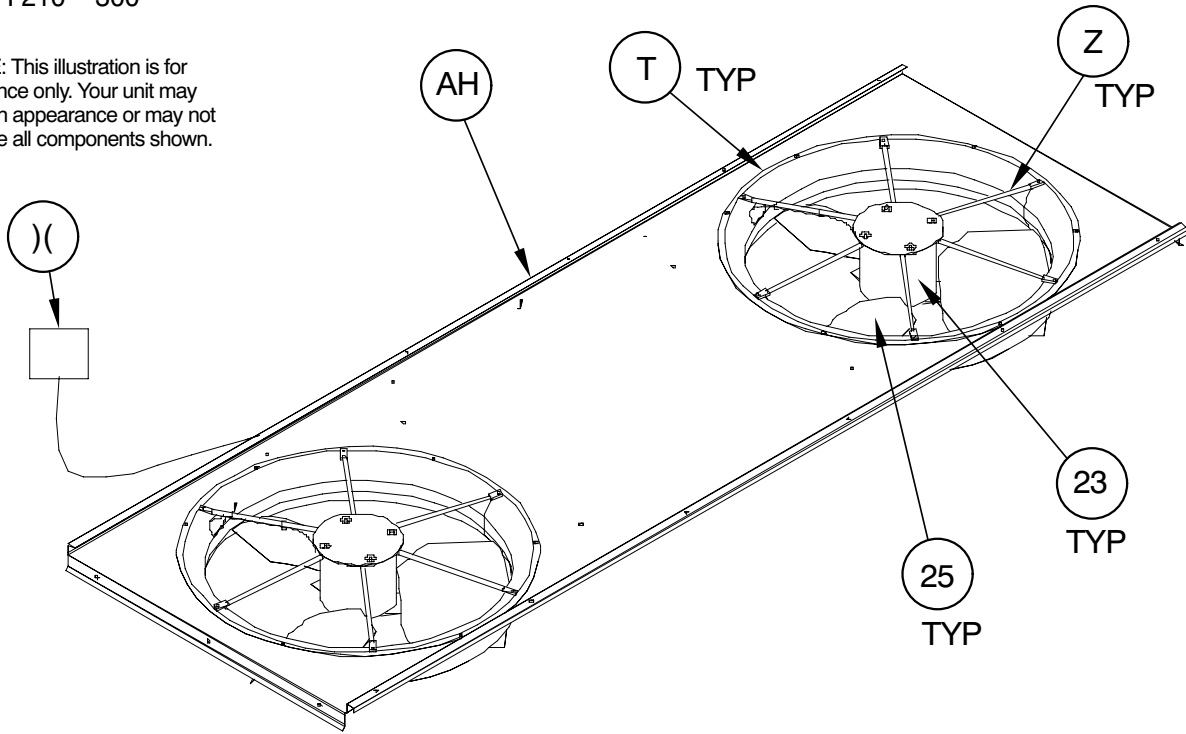
NOTE: This illustration is for reference only. Your unit may differ in appearance or may not include all components shown.



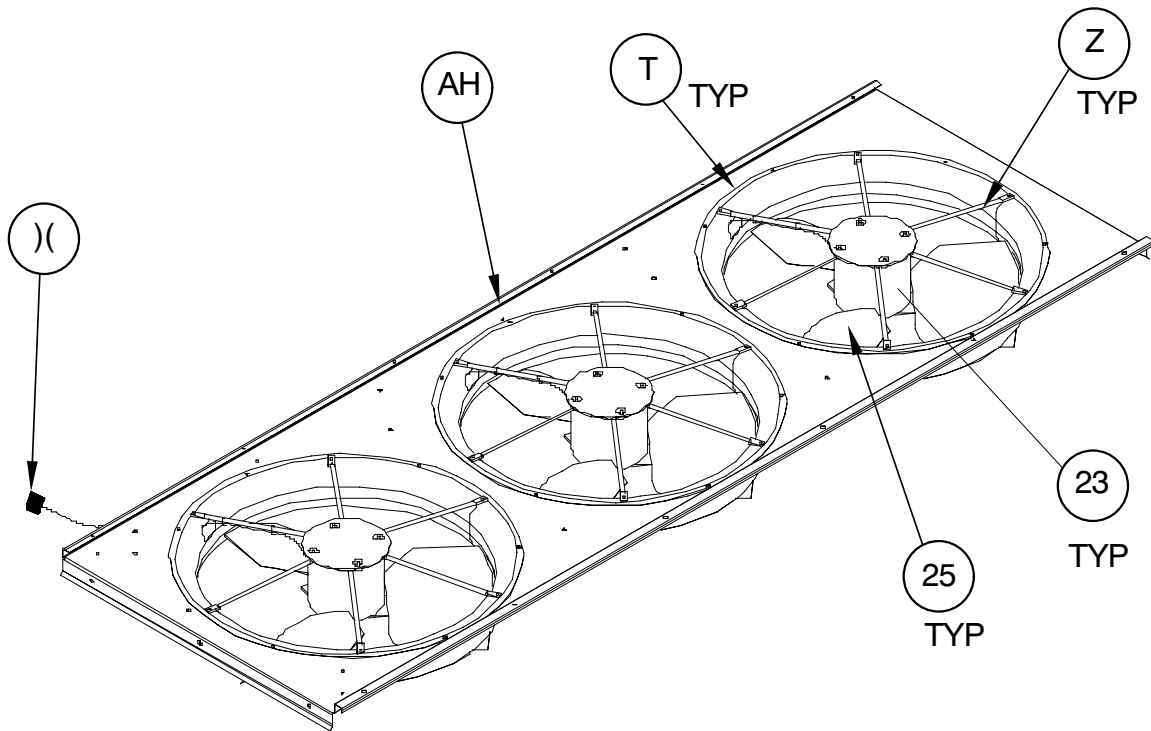
PGH 210 - 300

20 TON OUTDOOR FAN SECTION

NOTE: This illustration is for reference only. Your unit may differ in appearance or may not include all components shown.



25 TON OUTDOOR FAN SECTION

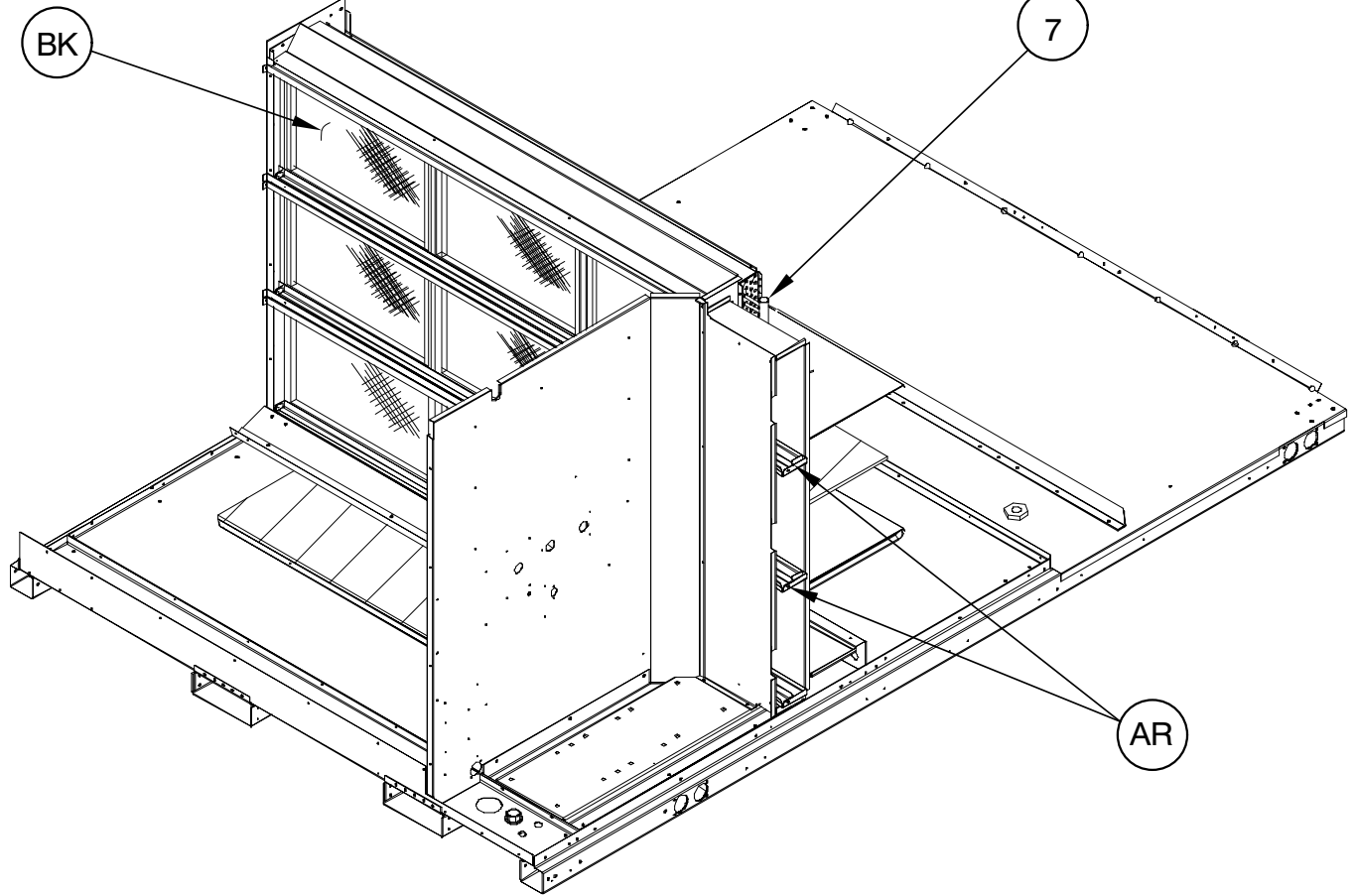


PGH 210 - 300

NOTE: This illustration is for reference only. Your unit may differ in appearance or may not include all components shown.

FILTER GROUP

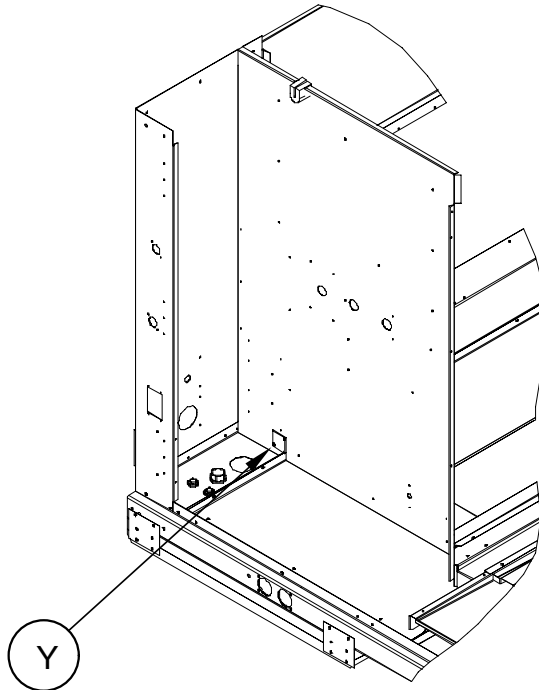
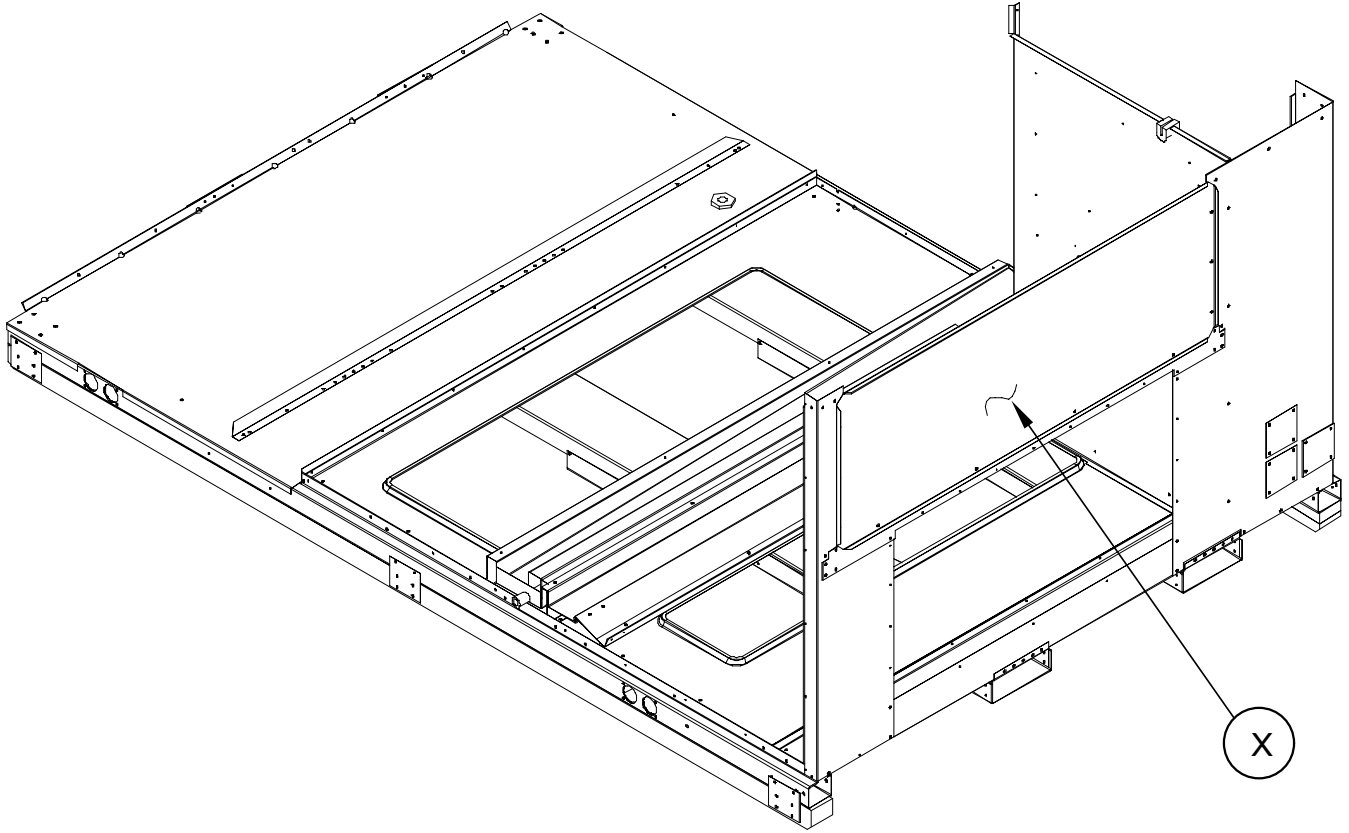
TYP. (9) PLACES



PGH 210 - 300

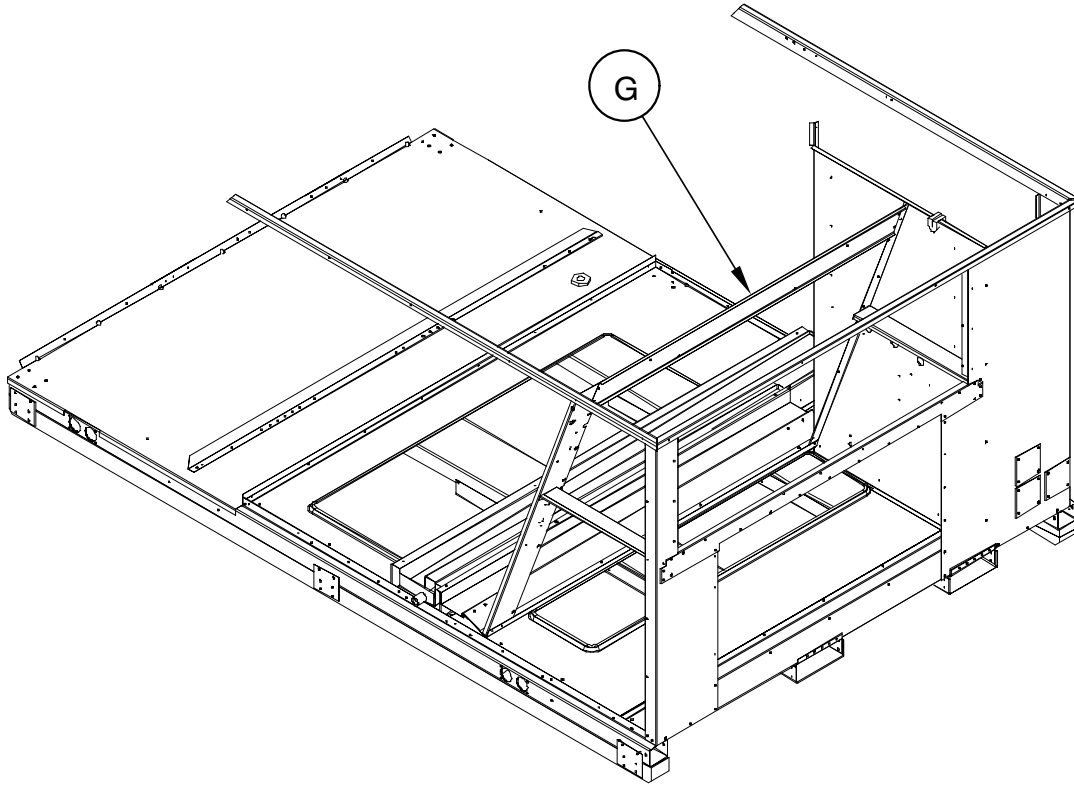
NOTE: This illustration is for reference only. Your unit may differ in appearance or may not include all components shown.

NO INTAKE

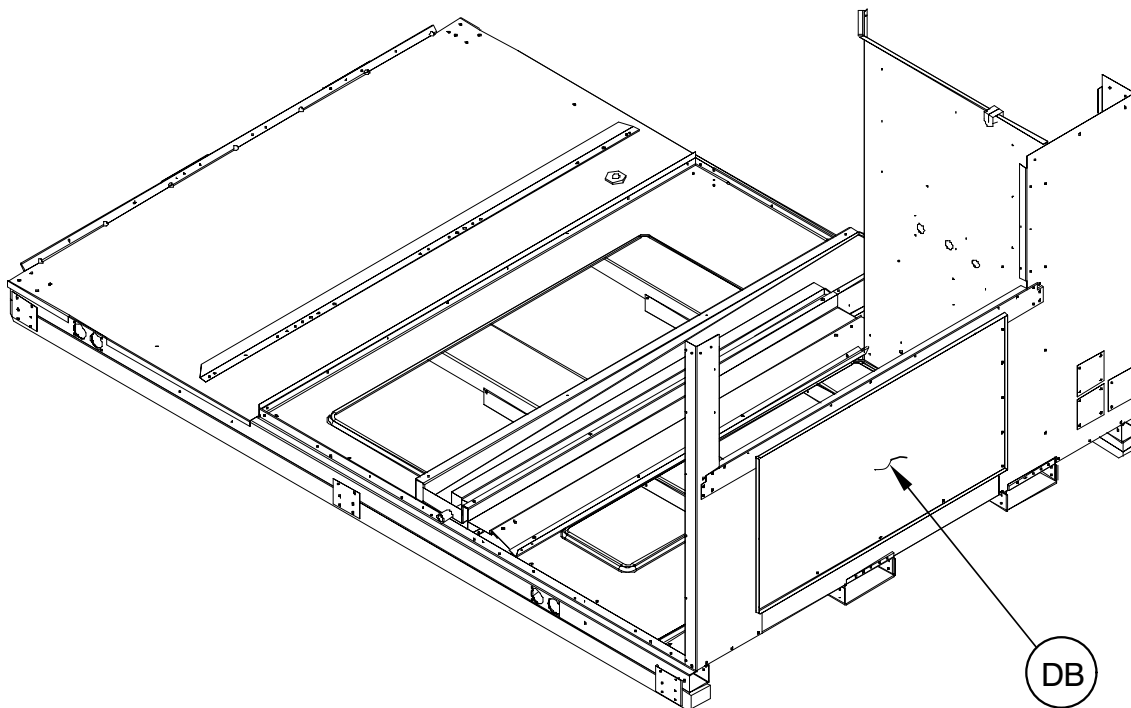


PGH 210 - 300

NOTE: This illustration is for reference only. Your unit may differ in appearance or may not include all components shown.



NO EXHAUST ASY

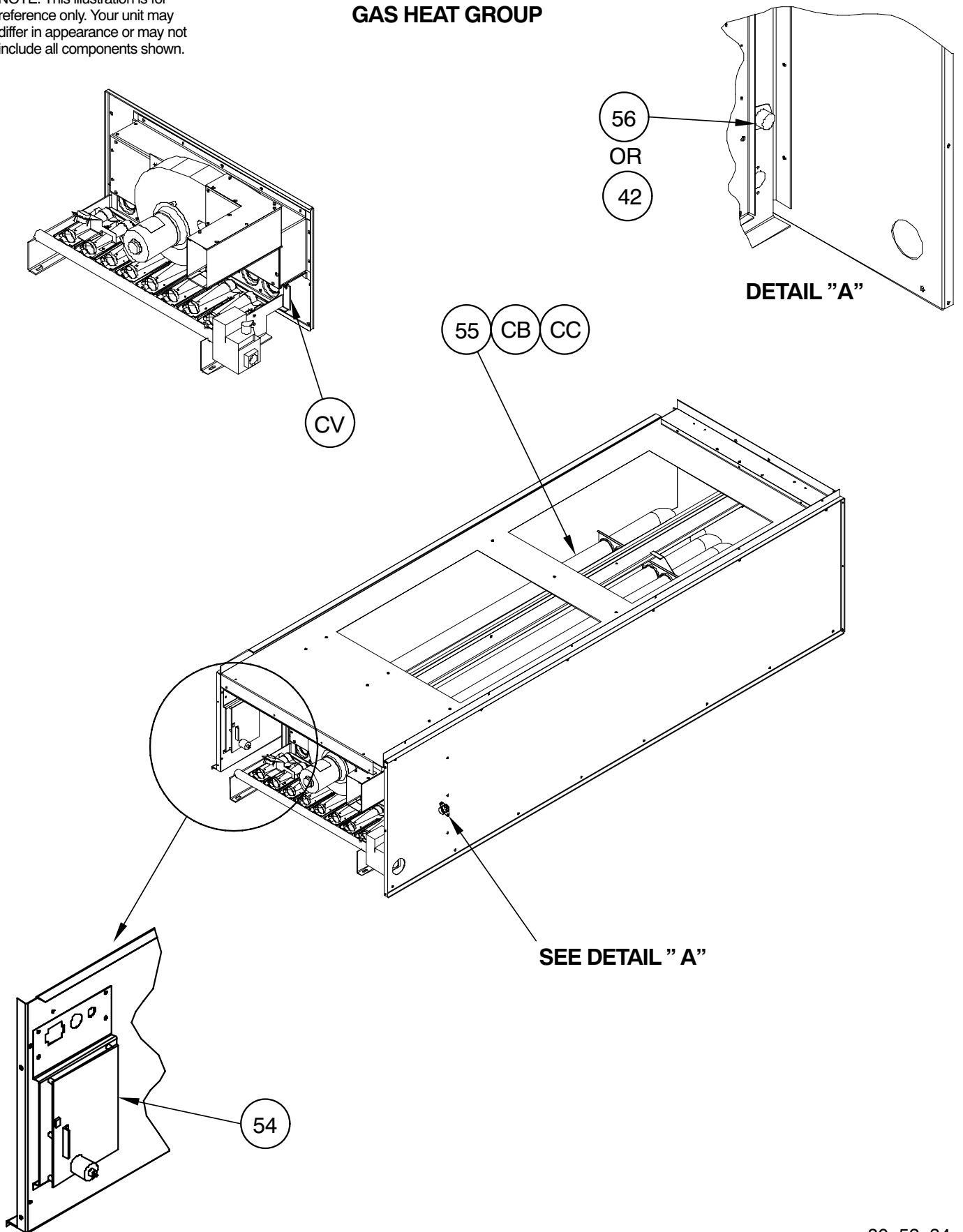


80-52-50

PGH 210 - 300

NOTE: This illustration is for reference only. Your unit may differ in appearance or may not include all components shown.

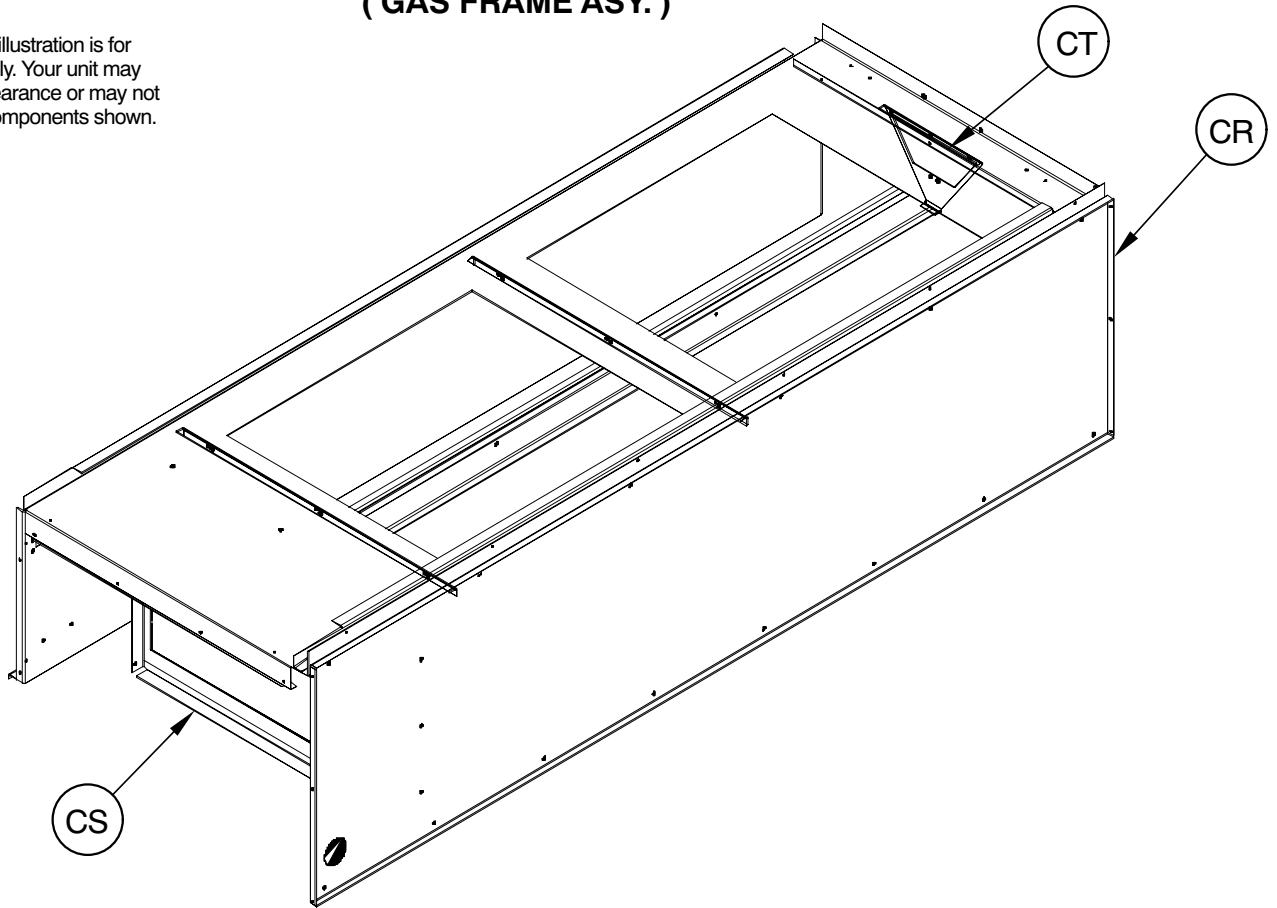
GAS HEAT GROUP



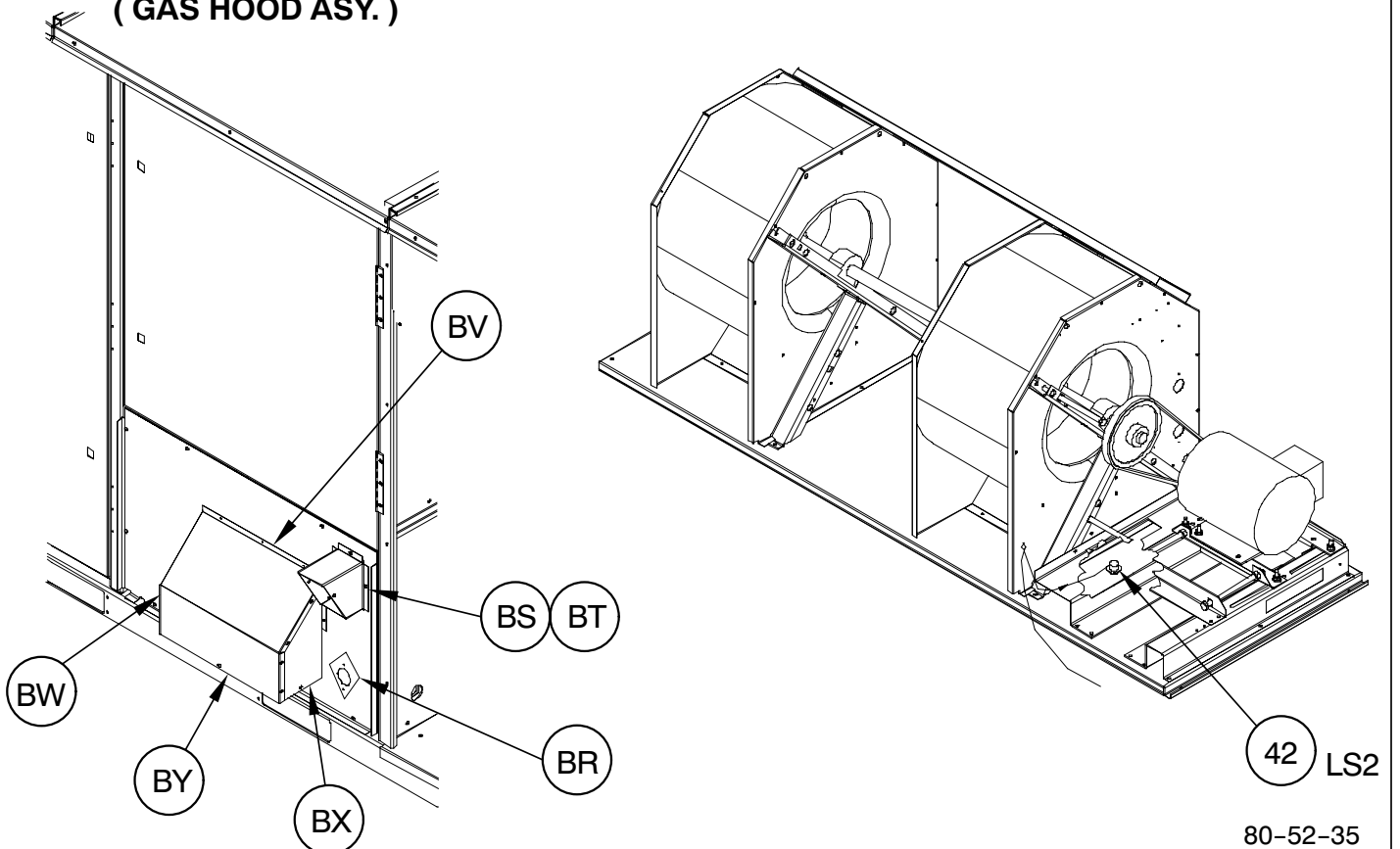
PGH 210 - 300

GAS HEAT GROUP (GAS FRAME ASY.)

NOTE: This illustration is for reference only. Your unit may differ in appearance or may not include all components shown.



(GAS HOOD ASY.)

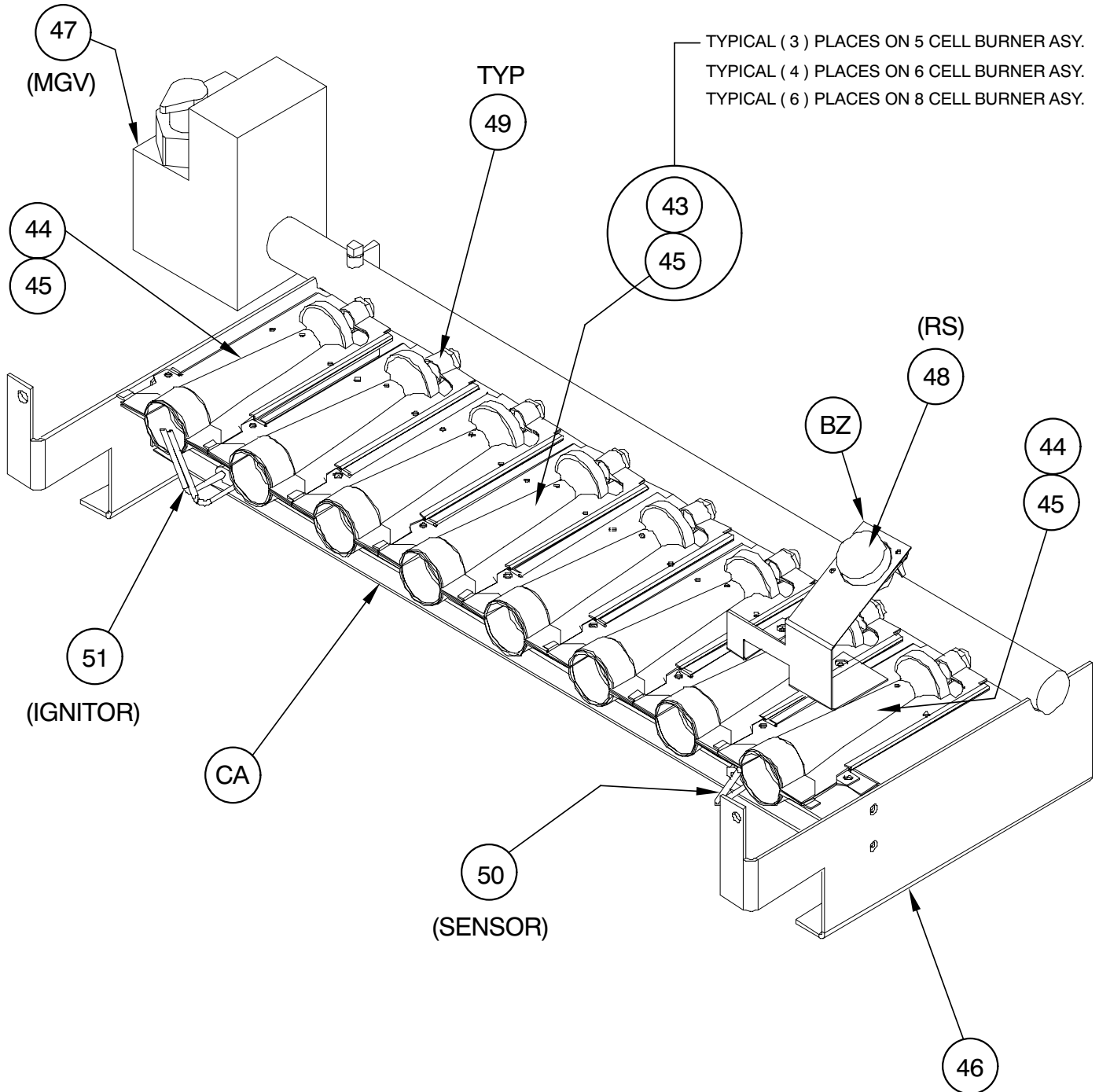


80-52-35

NOTE: This illustration is for reference only. Your unit may differ in appearance or may not include all components shown.

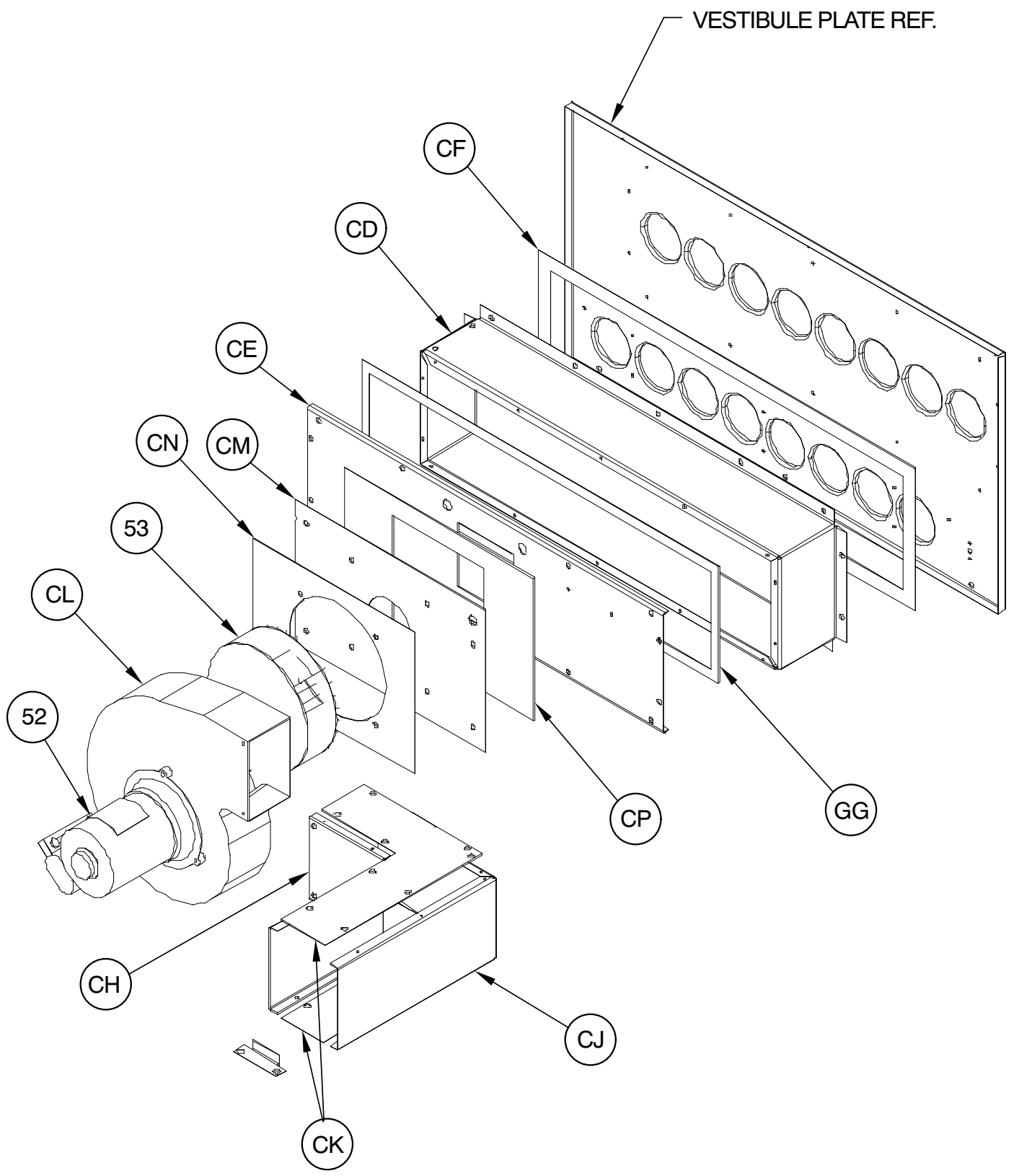
GAS HEAT GROUP (BURNER ASY.)

(8 CELL BURNER ASY. SHOWN)



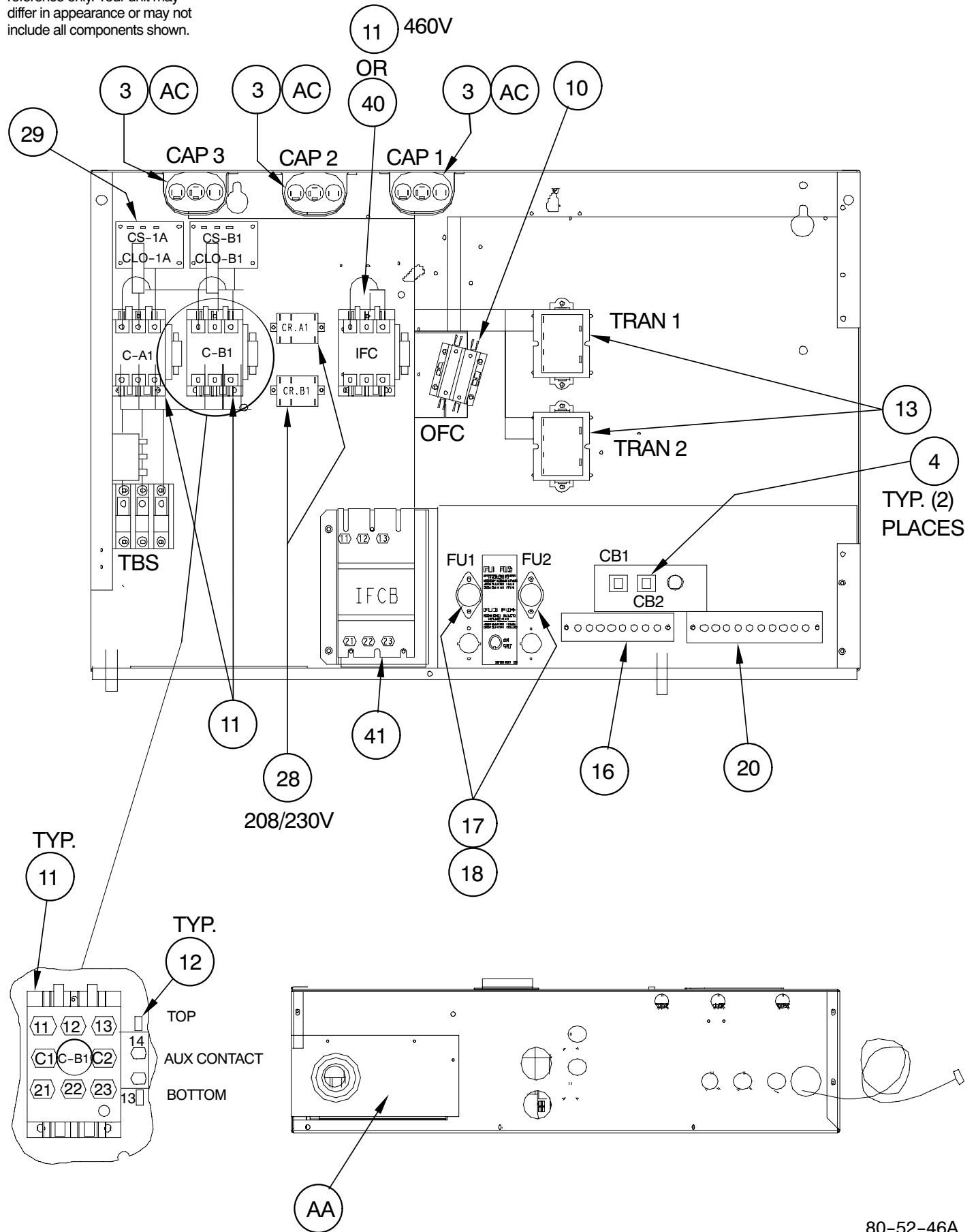
NOTE: This illustration is for reference only. Your unit may differ in appearance or may not include all components shown.

GAS HEAT GROUP (INDUCER HOUSING ASY.)



CONTROL BOX GROUP

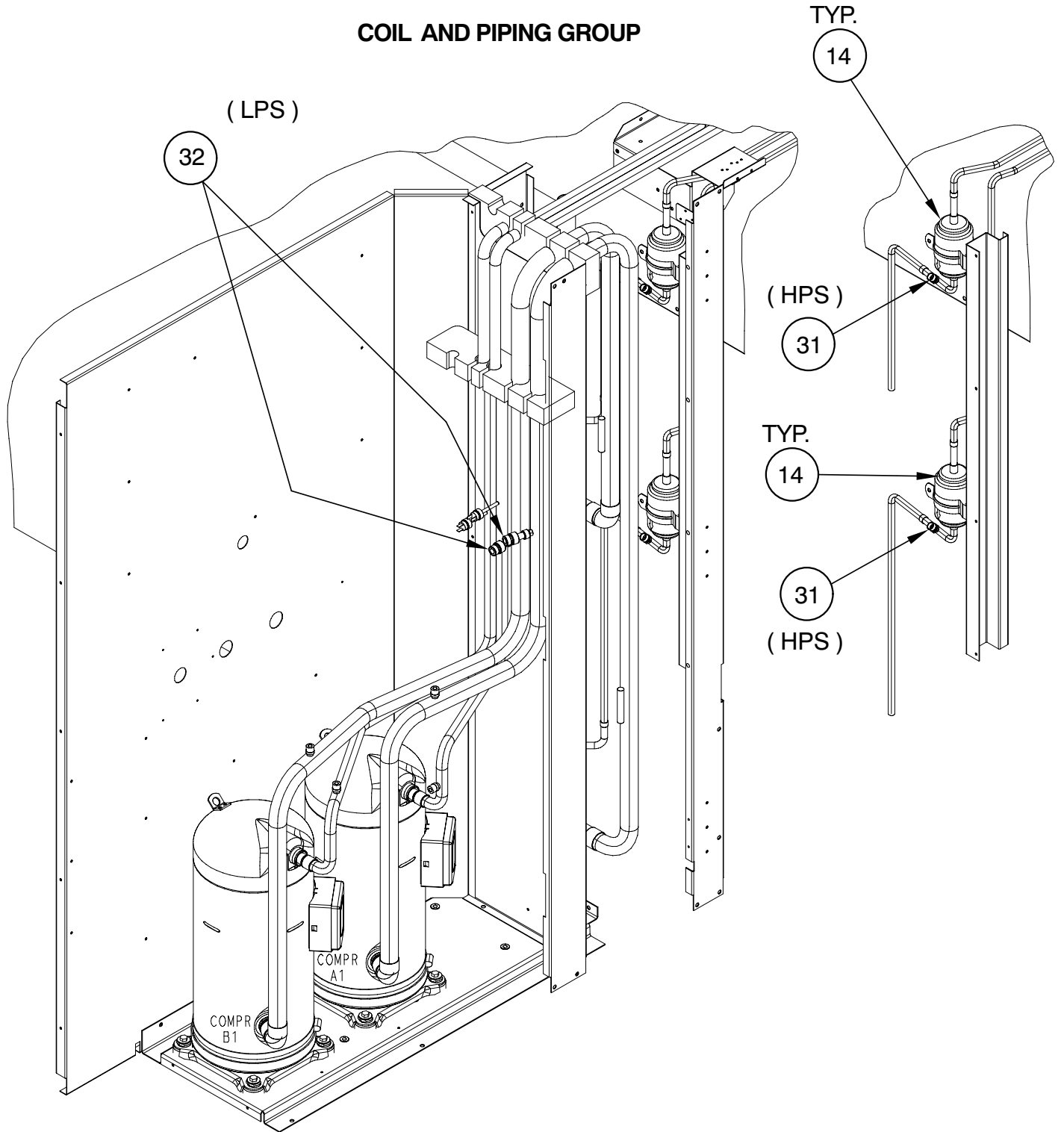
NOTE: This illustration is for reference only. Your unit may differ in appearance or may not include all components shown.



PGH 300

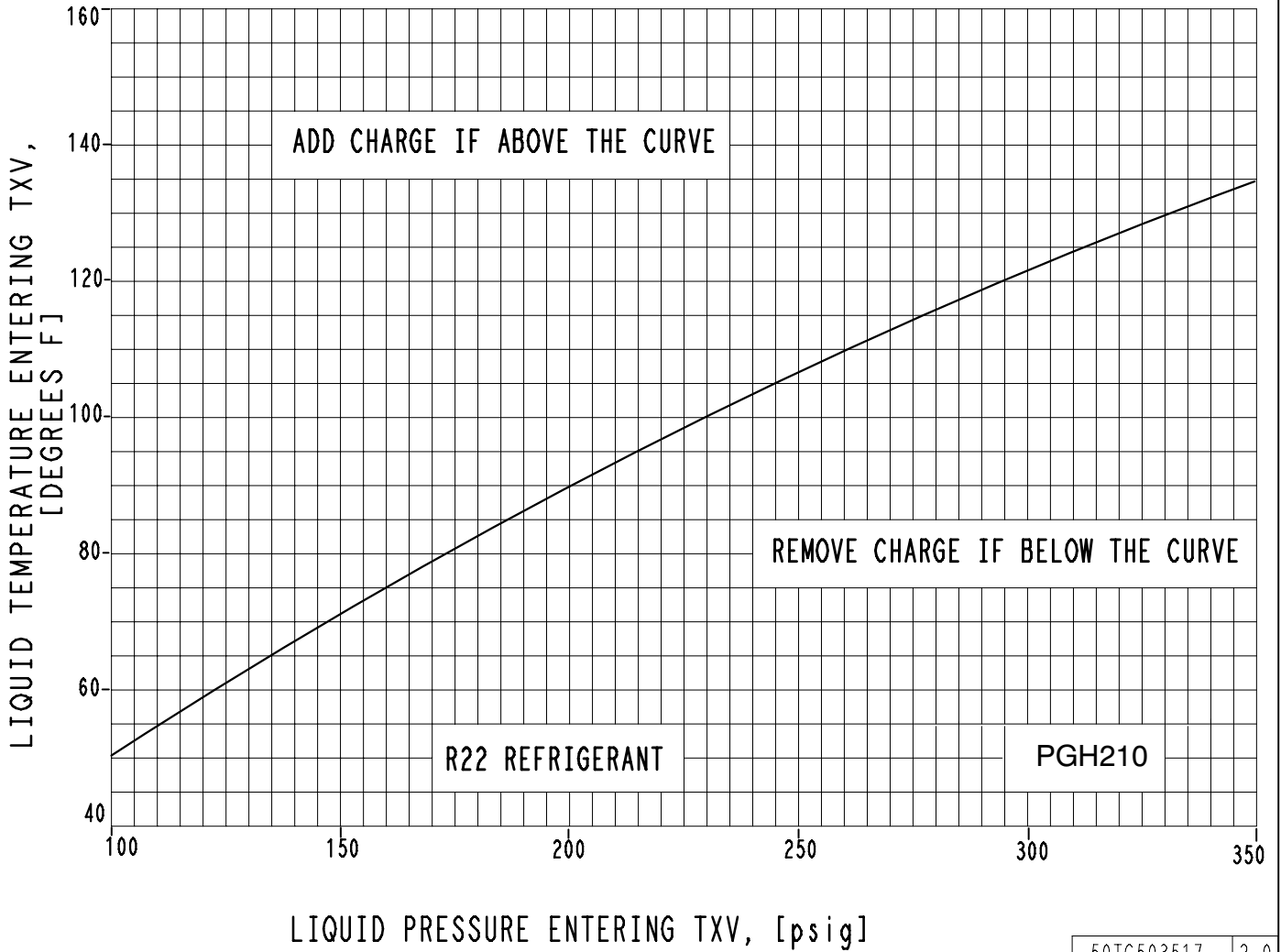
NOTE: This illustration is for reference only. Your unit may differ in appearance or may not include all components shown.

COIL AND PIPING GROUP



PGH 210

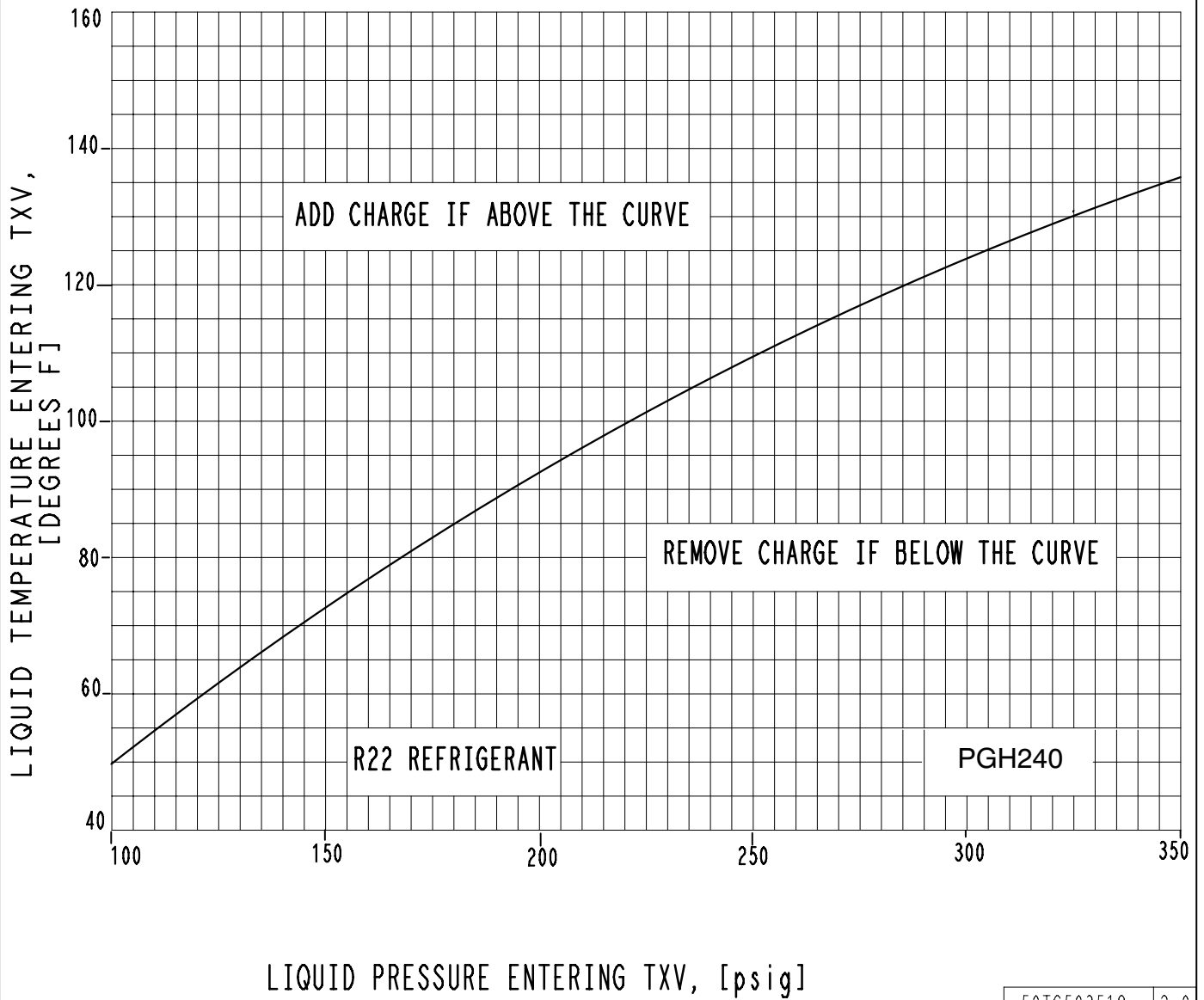
CHARGING CHART (ALL CIRCUITS) ALL OUTDOOR FANS MUST BE OPERATING



50TG503517 2.0

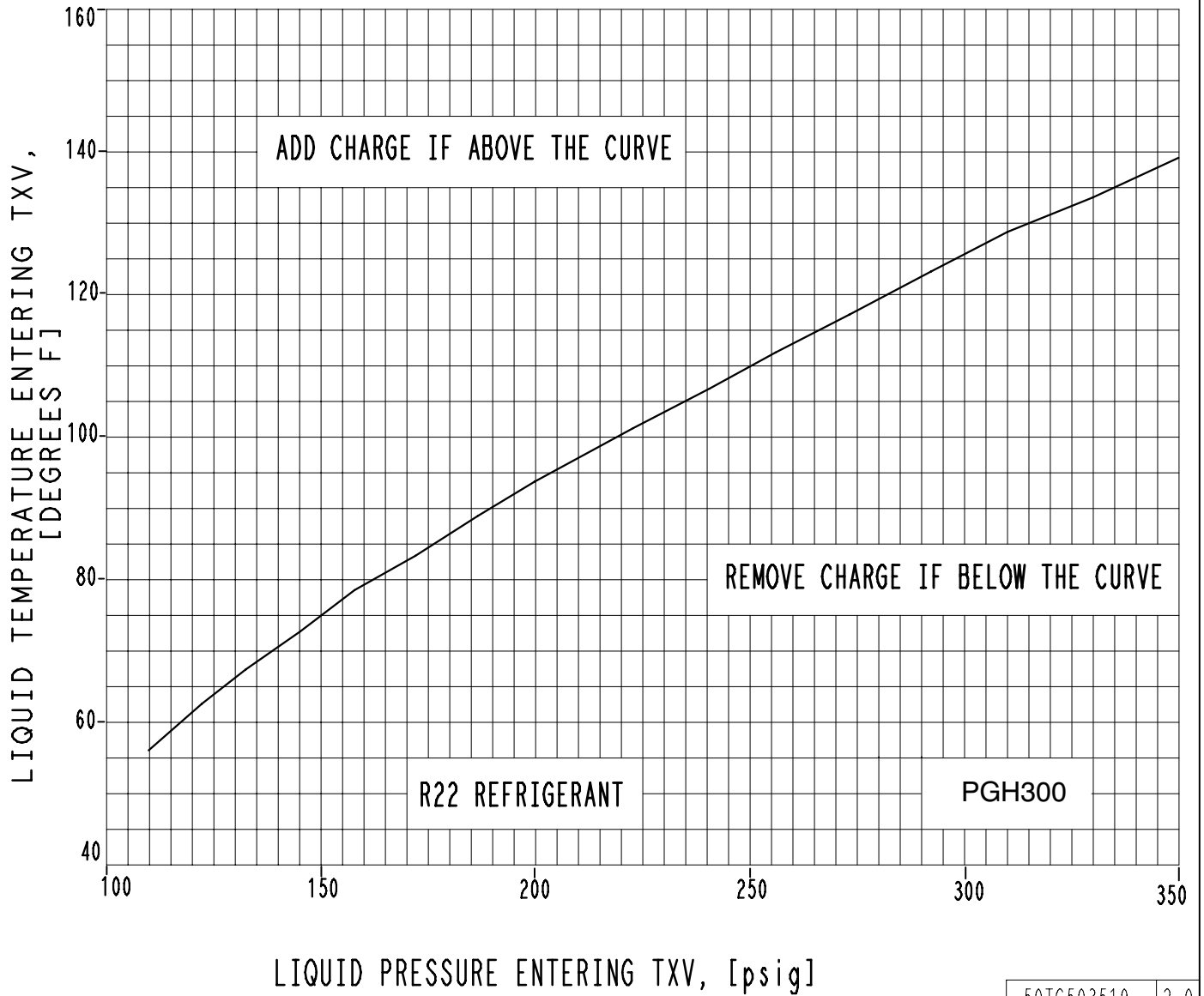
PGH 240

CHARGING CHART (ALL CIRCUITS) ALL OUTDOOR FANS MUST BE OPERATING



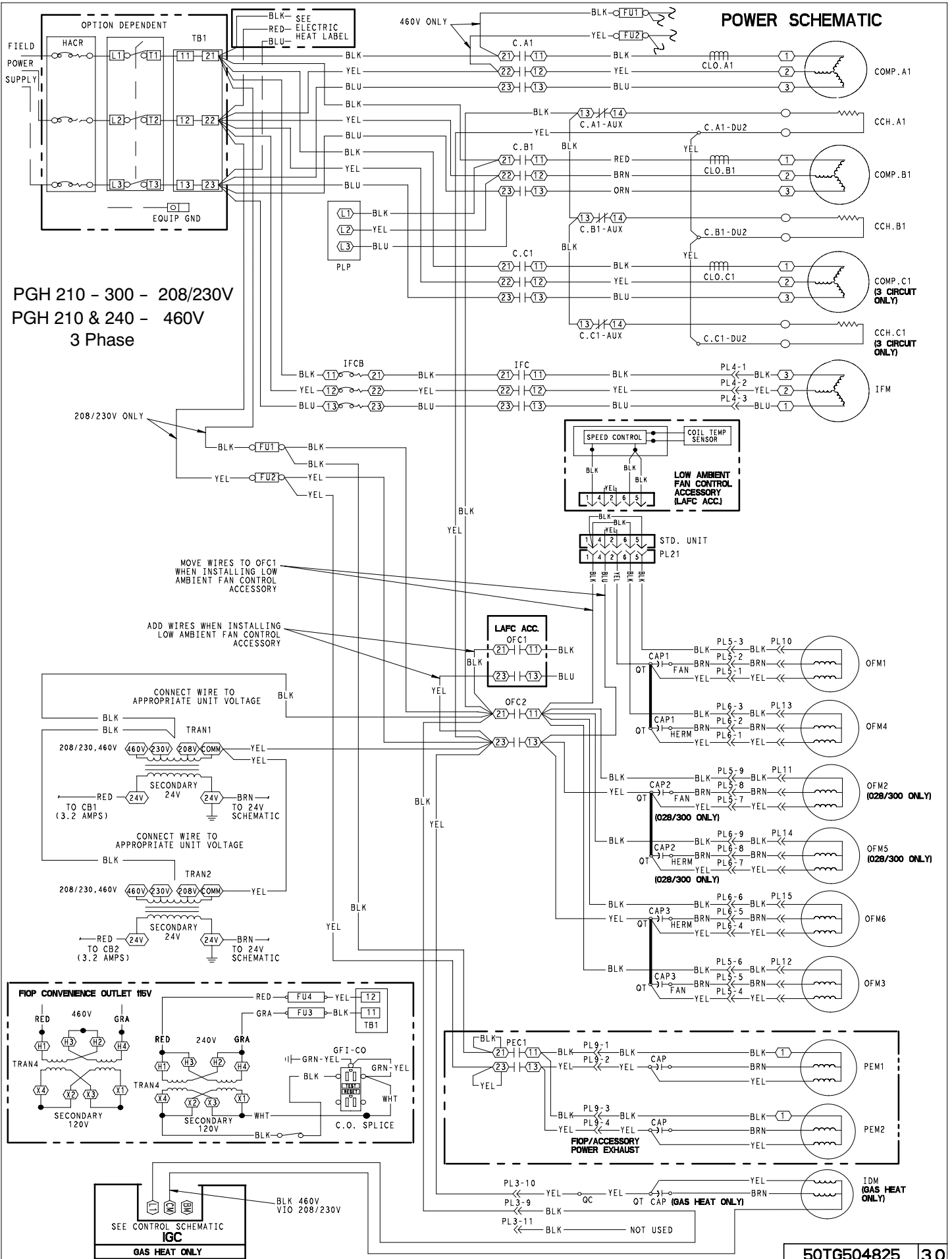
PGH 300

CHARGING CHART (ALL CIRCUITS) ALL OUTDOOR FANS MUST BE OPERATING



50TG503519 2.0

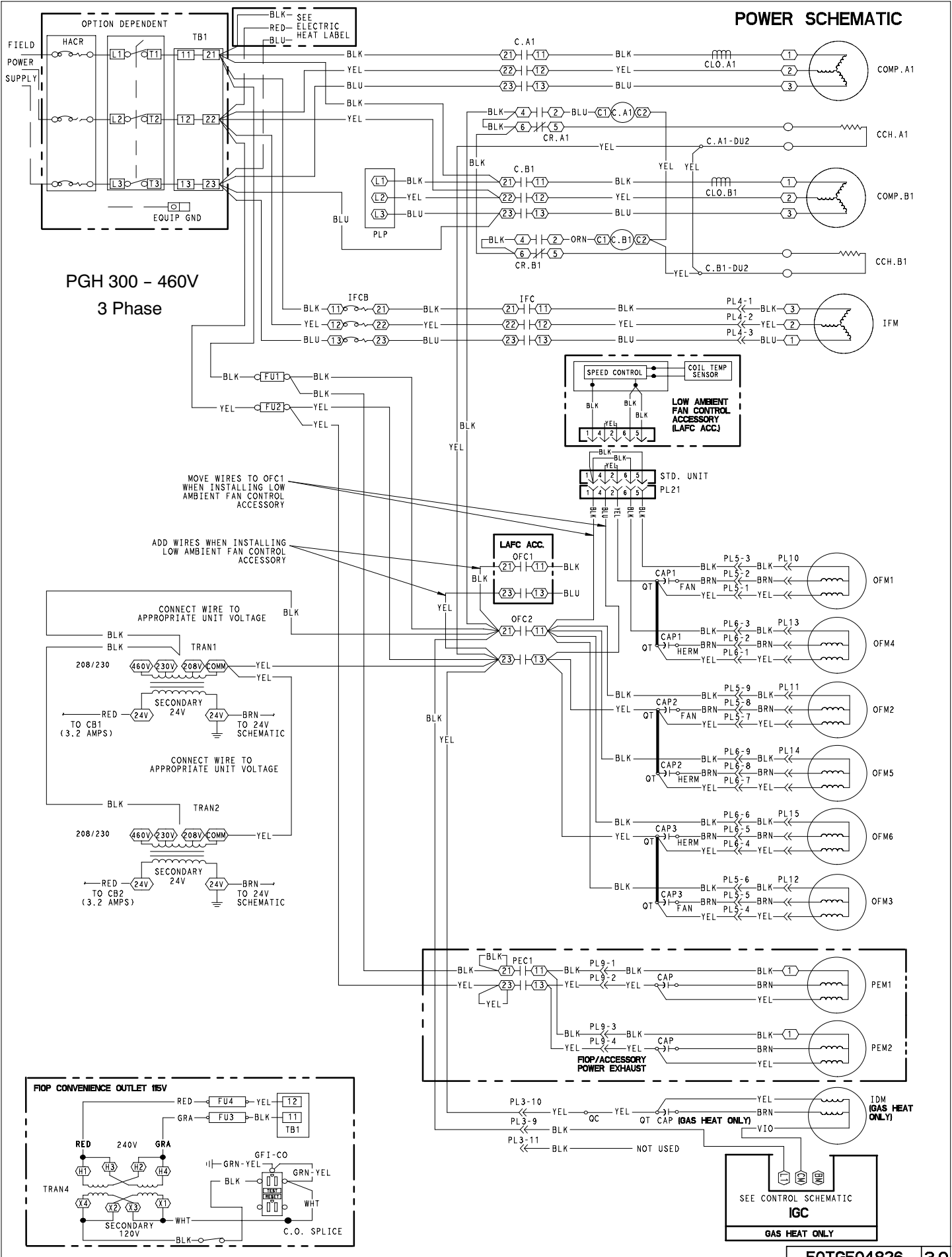
PGH 210 - 300 208 / 230V, 210 & 240 460V



50TG504825 3.0

PGH 300 - 460V

POWER SCHEMATIC



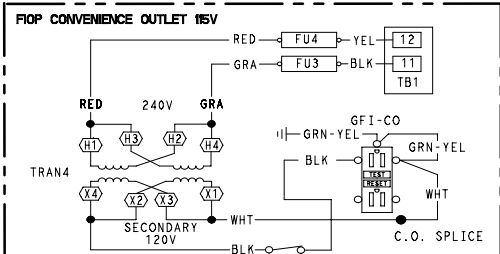
PGH 300 - 460V
3 Phase

MOVE WIRES TO OFC1
WHEN INSTALLING LOW
AMBIENT FAN CONTROL
ACCESSORY

ADD WIRES WHEN INSTALLING
LOW AMBIENT FAN CONTROL
ACCESSORY

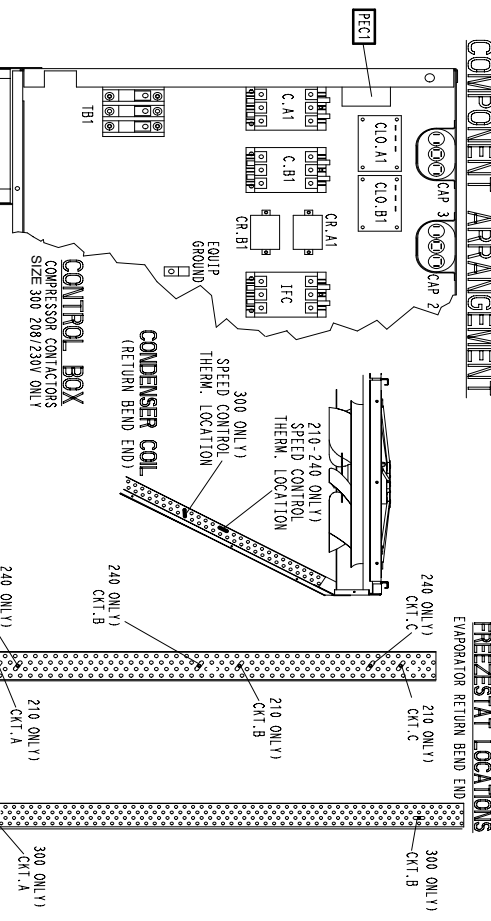
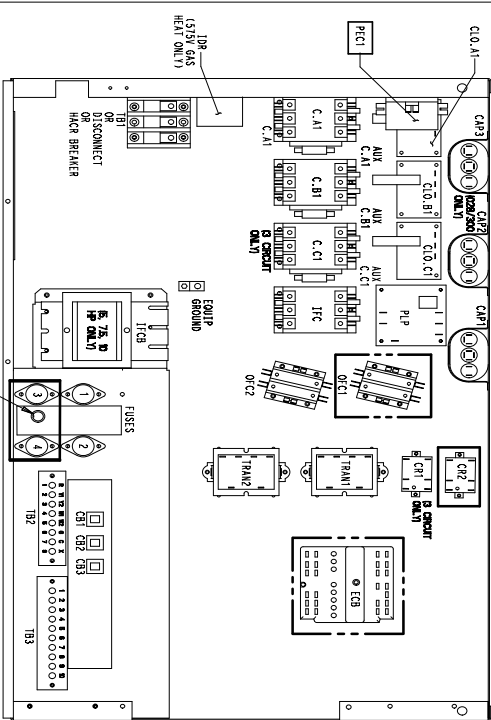
CONNECT WIRE TO
APPROPRIATE UNIT VOLTAGE

CONNECT WIRE TO
APPROPRIATE UNIT VOLTAGE

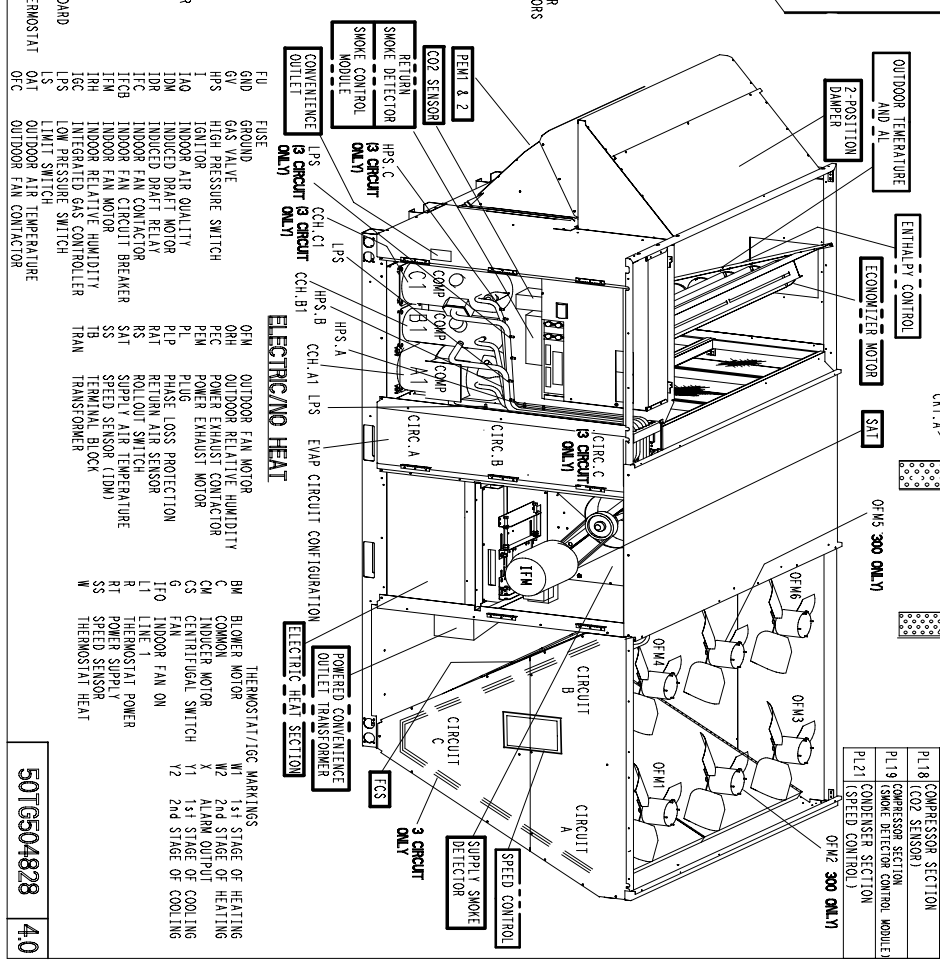
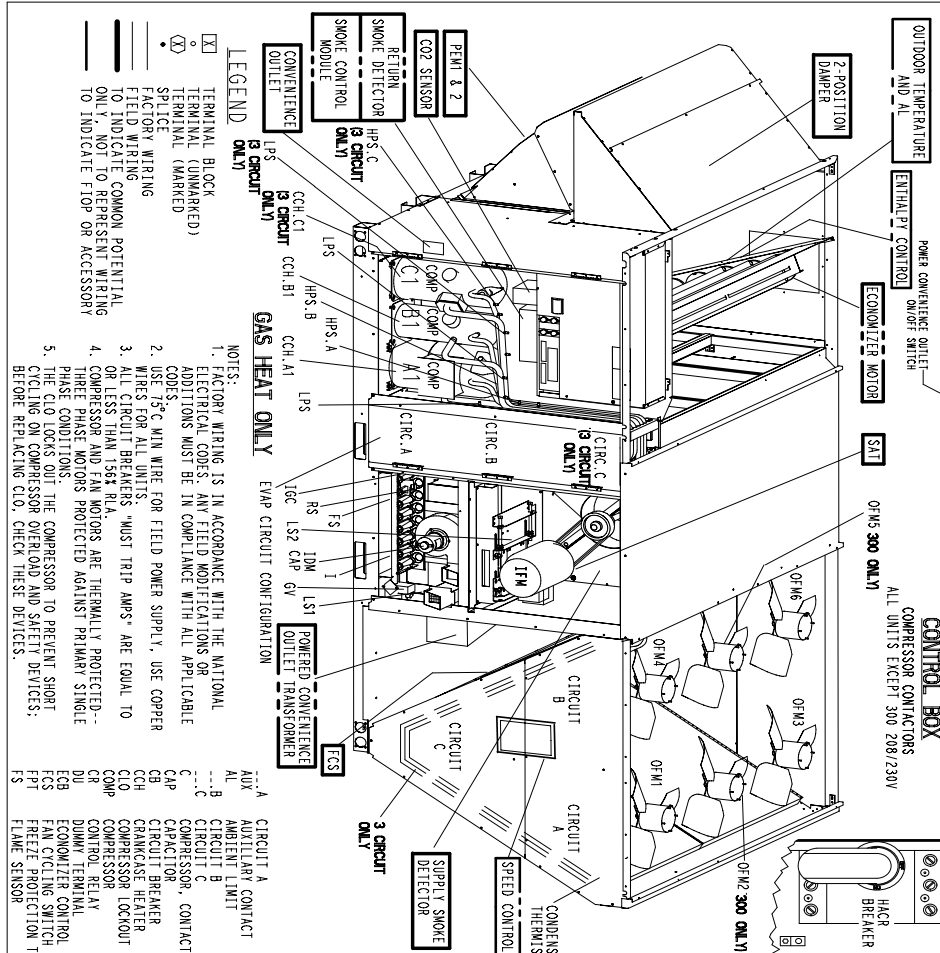


50TG504826 3.0

COMPONENT ARRANGEMENT



PLUG LOCATION REFERENCE	DESCRIPTION
PL1	CONTROL BOX (CONTROL BOARD)
PL3	HEAT SECTION PARTITION (HEAT CONTROL S)
PL4	FAN SECTION (FAN MOTOR)
PL5	CONDENSER SECTION (CONDENSER MOTOR)
PL6	CONDENSER SECTION (CONDENSER MOTOR)
PL7	ECONOMIZER MOTOR (ECONOMIZER MOTOR)
PL9	POWER EXHAUST MOTOR (POWER EXHAUST MOTOR)
PL10	CONDENSER SECTION (CONDENSER MOTOR)
PL11	CONDENSER SECTION (CONDENSER MOTOR)
PL12	CONDENSER SECTION (CONDENSER MOTOR)
PL13	CONDENSER SECTION (CONDENSER MOTOR)
PL14	CONDENSER SECTION (CONDENSER MOTOR)
PL15	CONDENSER SECTION (CONDENSER MOTOR)
PL16	FAN SECTION (FAN STATUS ACCESSORY)
PL17	ECONOMIZER SECTION (2-POSITION DAMPER)
PL18	CONDENSER SECTION (CO2 SENSOR)
PL19	CONDENSER SECTION (SMOKE DETECTOR CONTROL MODULE)
PL21	CONDENSER SECTION (SPEED CONTROL)



50TGS04828	40
------------	----