

Parts List, Tech Labels, Wiring Diagrams

PAX3 SERIES

PACKAGE AIR CONDITIONER UNITS



TABLE OF CONTENTS

PARTS LIST	2 - 3
PARTS DRAWING	4 - 5
TECH LABELS	
PAX324 - 30	6
PAX336 - 42	7
PAX348 - 60	8
WIRING DIAGRAMS	
PAX324 - 60	9



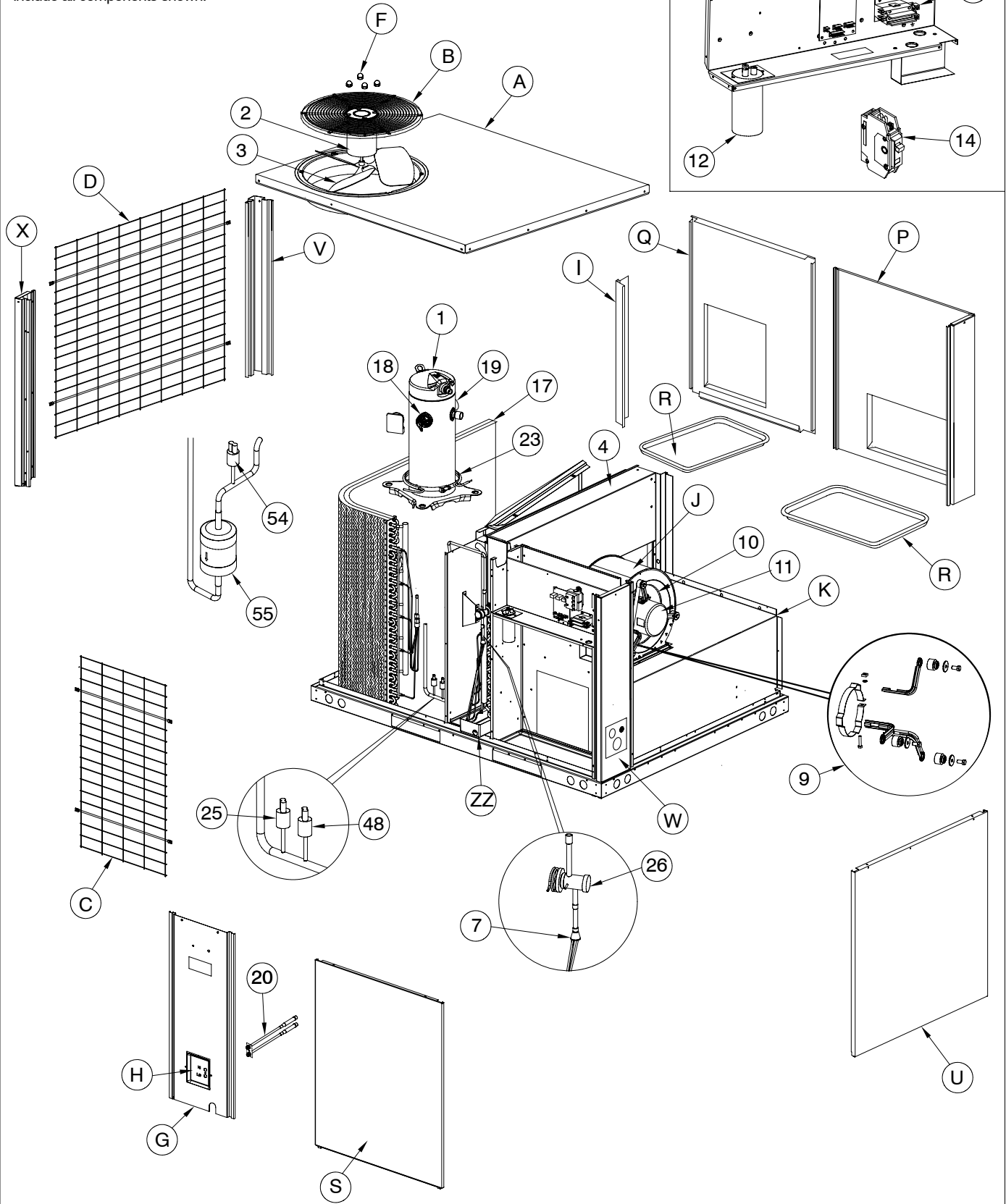
KEY NO.	DESCRIPTION	FAST NUMBER	PAX324000K00A1	PAX330000K00A1	PAX336000K00A1	PAX342000K00A1	PAX348000K00A1	PAX360000K00A1
1	COMP (R-22, 20K BTU, 2 STAGE, 208/230V-1 PH)	ZPS20K4EPFV830	1	*	*	*	*	*
	COMP (R-22, 26K BTU, 2 STAGE, 208/230V-1 PH)	ZPS26K4EPVF830	*	1	*	*	*	*
	COMP (R-22, 30K BTU, 2 STAGE, 208/230V-1 PH)	ZPS30K4EPFV830	*	*	1	*	*	*
	COMP (R-22, 35K BTU, 2 STAGE, 208/230V-1 PH)	ZPS35K4EPFV830	*	*	*	1	*	*
	COMP (R-22, 40K BTU, 2 STAGE, 208/230V-1 PH)	ZPS40K4EPFV830	*	*	*	*	1	*
	COMP (R-22, 51K BTU, 2 STAGE, 208/230V-1 PH)	ZPS51K4EPFV830	*	*	*	*	*	1
2	MTR CND 1/230 1/8 825/1	1173699	1	1	*	*	*	*
	MTR CND 1/230 1/4 1100	1173700	*	*	1	1	1	*
	MTR CND 1/230 1/4	1171335	*	*	*	*	*	1
3	FAN C 20" 3B 1/2" 34 INT	1173706	1	1	1	*	*	*
	FAN C 22" 3B 1/2" 28 INT	1171219	*	*	*	*	*	1
	FAN C 22" 3B 1/2" 24 INT	1171220	*	*	*	1	1	*
4	COIL, EVAP -MANIFOLDS INCLUDED-	1174353	1	*	*	*	*	*
		1174354	*	1	*	*	*	*
		1174355	*	*	1	*	*	*
		1174356	*	*	*	1	*	*
		1174357	*	*	*	*	1	*
		1174358	*	*	*	*	*	1
7	DISTRIBUTOR (R-22)	1174243	*	*	*	*	*	1
		1174359	*	*	*	1	1	*
		1174360	1	1	*	*	*	*
		1174361	*	*	1	*	*	*
9	KIT, BLW MTR MTG	1174295	1	1	1	1	1	1
10	WHEEL DD10x8x1/2 CW CV	1173813	1	1	*	*	*	*
	WHEEL DD11x9x1/2 CW CV	1171742	*	*	1	1	*	*
	WHEEL DD11x10x1/2 CW CV	1173815	*	*	*	*	1	1
11	MTR, BLW (208-230 VAC, 4.1A, 1 PH, 1/2 HP)	1174278	1	*	*	*	*	*
	MTR, BLW (208-230 VAC, 4.1A, 1 PH, 1/2 HP)	1174279	*	1	*	*	*	*
	MTR, BLW (208-230 VAC, 6A, 1 PH, 3/4 HP)	1174280	*	*	1	*	*	*
	MTR, BLW (208-230 VAC, 6A, 1 PH, 3/4 HP)	1174281	*	*	*	1	*	*
	MTR, BLW (208-230 VAC, 7.6A, 1 PH, 1 HP)	1174282	*	*	*	*	1	*
	MTR, BLW (208-230 VAC, 7.6A, 1 PH, 1 HP)	1174362	*	*	*	*	*	1
12	CAP RN RD 370V 5+35	1172110	1	*	*	*	*	*
	CAP RN RD 370V 5+40	1172147	*	1	1	*	*	*
	CAP RN RD 370V 5+45	1172124	*	*	*	1	1	*
	CAP RN RD 370V 10+80	1173703	*	*	*	*	*	1
13	CONTACTOR (SPST, NO, 25A, 24VAC)	1173689	1	1	1	*	*	*
	CONTACTOR (SPST, NO, 40A, 24VAC)	1173690	*	*	*	1	1	1
14	BREAKER 3.2A 1 POLE 250V	1171114	1	1	1	1	1	1
15	TRANS 200/230/460>24 75VA	1171496	1	1	1	1	1	1
16	BOARD CIRCUIT X-13	1173693	1	1	1	1	1	1
17	COIL, COND -MANIFOLDS INCLUDED-	1174363	1	*	*	*	*	*
		1174364	*	1	*	*	*	*
		1174365	*	*	1	*	*	*
		1174366	*	*	*	1	*	*
		1174367	*	*	*	*	1	*
		1174368	*	*	*	*	*	1
18	PLUG COMP WIRE (SM)	1173826	1	1	1	1	1	1
19	PLUG COMP SOLENOID COIL 185"LD	1173827	1	1	1	1	1	1
20	PORT ASY VLV/SWT LK	1083619	1	1	1	1	1	1
21	HARNESS, WIRE (DUAL CAP PAC)	1174369	1	1	1	1	1	1
22	HARNESS, WIRE (DUAL CAP ADP)	1174323	1	1	1	1	1	1
23	HTR CC WP 40W240V	1173705	1	1	1	1	1	1
25	SWITCH, HIGH PRESS	1174407	1	1	1	1	1	1
26	VALVE, TXV	1174408	1	*	*	*	*	*
		1174409	*	1	1	*	*	*
		1174410	*	*	*	1	1	*
		1174411	*	*	*	*	*	1
48	SWITCH, LOW PRESS	1174412	1	1	1	1	1	1
54	SWITCH, PRESS (COMP SOLENOID)	1174413	1	1	1	1	1	1
55	DRIER LIQ 08 CU IN 3/8 SWEAT	1173679	1	1	1	1	1	1

KEY NO.	DESCRIPTION	FAST NUMBER	PAX324000K00A1	PAX330000K00A1	PAX336000K00A1	PAX342000K00A1	PAX348000K00A1	PAX360000K00A1
A	PANEL, TOP	1174392	1	1	1	*	*	*
		1174393	*	*	*	1	1	1
B	GRILLE, COND OUTLET	1173832	1	1	1	*	*	*
		1174394	*	*	*	1	1	1
C	GRILLE COND INLET	1064543	1	1	1	*	*	*
		1064545	*	*	*	1	1	1
D	GRILLE COND INLET	1064544	1	1	1	*	*	*
		1064547	*	*	*	1	1	1
E	GRILLE COND INLET	1064546	*	*	*	*	*	1
F	NUT, CAP	1172740	4	4	4	4	4	4
G	PANEL PORT P250 L	1068182	1	1	1	*	*	*
		1068164	*	*	*	1	1	1
H	PLATE PORT P250 L	1068189	1	1	1	1	1	1
I	BRACKET, EVAP	1098999	1	1	1	*	*	*
		1099106	*	*	*	1	1	1
J	HOUSING, BLW	1174166	1	1	*	*	*	*
		1174167	*	*	1	1	*	*
		1174168	*	*	*	*	1	1
K	BOX, BLW	1174395	1	1	1	*	*	*
		1174396	*	*	*	1	1	1
L	FILTER FG 20X30X2	1054503	*	*	*	2	2	2
O	POST, CNTR	1068163	*	*	*	1	1	1
P	PANEL, SUPPLY AIR	1110951	1	1	1	*	*	*
		1111268	*	*	*	1	1	1
Q	PANEL RETURN AIR	1110952	1	1	1	*	*	*
		1111269	*	*	*	1	1	1
R	COVER, DUCTS	1110961	2	2	2	*	*	*
		1111275	*	*	*	2	2	2
S	PANEL, ACCESS	1068185	1	1	1	*	*	*
		1068186	*	*	*	1	1	1
U	PANEL BLR ACC	1110953	1	1	1	*	*	*
		1111270	*	*	*	1	1	1
V	POST RETURN AIR	1068167	2	2	2	*	*	*
		1068168	*	*	*	1	1	1
W	POST, CNR (ELEC HP/PAC)	1174397	1	1	1	*	*	*
		1174398	*	*	*	1	1	1
X	POST CNR (COND)	1068172	*	*	*	1	1	1
Y	PANEL FILTER	1111271	*	*	*	1	1	1
Z	PANEL, EVAP COIL BAFF	1111281	*	*	*	1	1	1
ZZ	PAN, DRAIN	1110954	1	1	1	*	*	*
		1172244	*	*	*	1	1	1

PAX3 "B" Chassis Series

PAX324 - 36

NOTE: This illustration is for reference only. Your unit may differ in appearance or may not include all components shown.

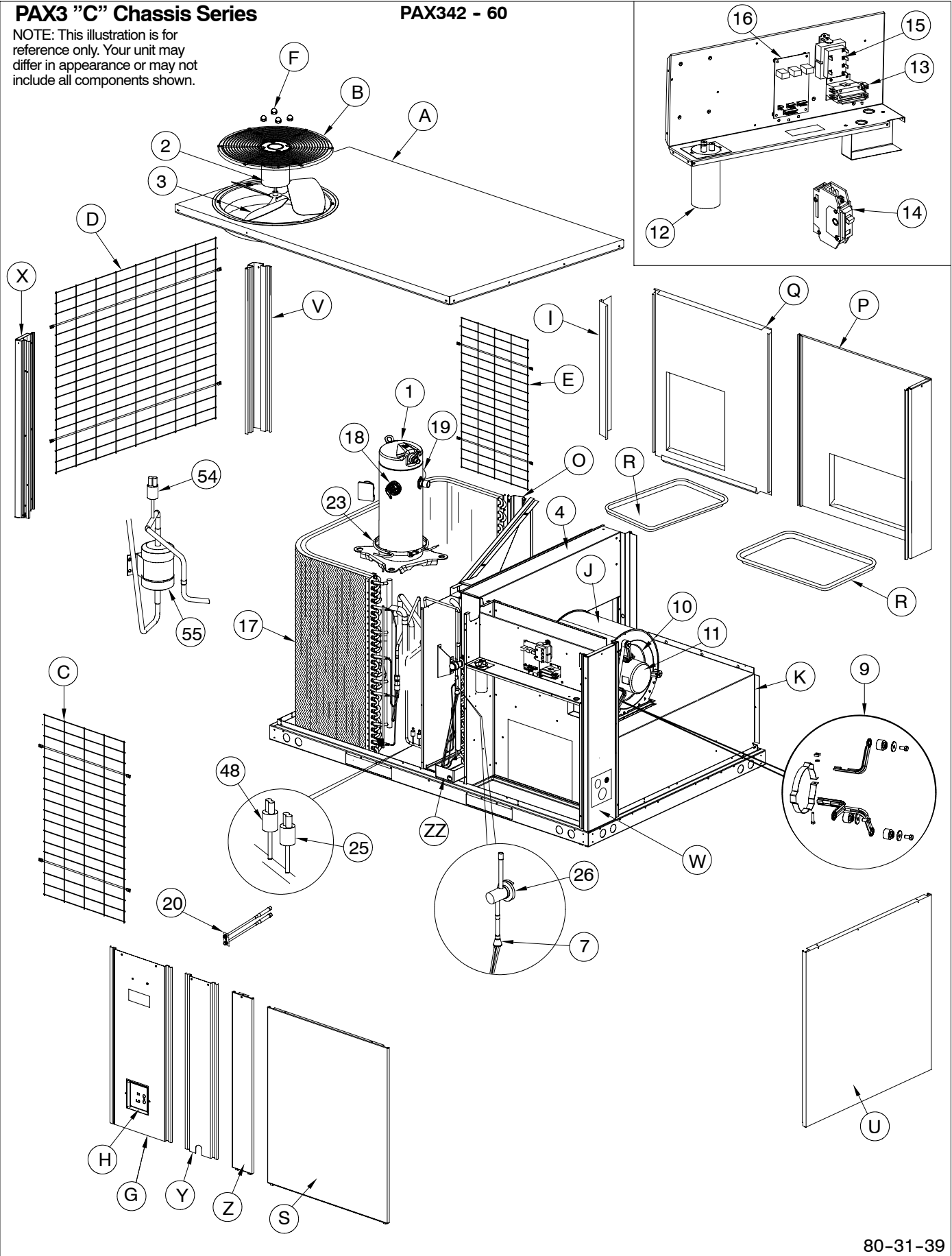


80-31-39 B

PAX3 "C" Chassis Series

PAX342 - 60

NOTE: This illustration is for reference only. Your unit may differ in appearance or may not include all components shown.



80-31-39

		PAX324**														
		700					800					900				
ID Airflow (SCFM)		Entering Indoor Temperature - Degrees F, Wet Bulb														
		57	62	63 †	67	72	57	62	63 †	67	72	57	62	63 †	67	72
75	MBh†	21.7	22.5	22.9	24.7	27.1	22.8	23.2	23.5	25.3	27.7	23.7	23.8	24.0	25.8	28.2
	S/T‡	0.99	0.90	0.72	0.69	0.51	0.99	0.95	0.75	0.73	0.53	0.99	0.99	0.79	0.76	0.54
	AMPS*	7.0	7.5	7.5	7.6	7.7	7.3	7.3	7.3	7.4	7.5	7.5	7.5	7.5	7.6	7.7
	HI PR	314	315	316	322	331	316	316	317	323	332	321	321	319	326	334
	LO PR	128	129	131	141	154	131	131	132	142	156	138	139	136	146	160
85	MBh†	21.0	21.5	21.9	23.6	25.9	22.0	22.2	22.5	24.2	26.5	22.8	22.9	22.9	24.6	26.9
	S/T‡	0.99	0.92	0.73	0.71	0.52	0.99	0.97	0.77	0.74	0.53	0.99	0.99	0.80	0.78	0.55
	AMPS*	7.8	8.3	8.3	8.4	8.5	8.1	8.1	8.1	8.2	8.3	8.3	8.3	8.3	8.4	8.6
	HI PR	357	357	358	364	373	359	359	359	365	374	364	364	361	368	377
	LO PR	131	131	132	143	156	134	134	134	144	158	141	141	138	148	161
95	MBh†	20.2	20.5	20.9	22.5	24.6	21.1	21.1	21.4	23.0	25.2	21.9	21.9	21.8	23.4	25.6
	S/T‡	0.99	0.95	0.75	0.72	0.52	0.99	0.99	0.79	0.76	0.54	0.99	0.99	0.82	0.80	0.56
	AMPS*	8.7	9.2	9.2	9.3	9.4	9.0	9.0	9.0	9.1	9.2	9.2	9.3	9.2	9.3	9.4
	HI PR	404	404	404	411	420	406	406	405	412	421	411	411	408	414	423
	LO PR	133	134	134	144	158	136	137	135	146	159	144	144	139	150	163
105	MBh†	19.3	19.5	19.7	21.3	23.3	20.2	20.2	20.2	21.7	23.8	20.9	21.0	20.6	22.1	24.2
	S/T‡	0.99	0.97	0.77	0.74	0.53	0.99	0.99	0.81	0.78	0.55	0.99	0.99	0.85	0.82	0.58
	AMPS*	9.7	10.2	10.2	10.3	10.4	10.0	10.0	10.0	10.1	10.2	10.2	10.2	10.2	10.3	10.4
	HI PR	456	456	455	462	471	458	458	456	463	472	463	463	459	465	474
	LO PR	136	137	136	146	160	139	140	137	148	161	147	147	141	151	165
115	MBh†	18.4	18.4	18.5	20.0	21.9	19.2	19.2	18.9	20.4	22.3	19.8	19.9	19.3	20.7	22.6
	S/T‡	0.99	0.99	0.79	0.76	0.54	0.99	0.99	0.83	0.81	0.57	0.99	0.99	0.87	0.85	0.59
	AMPS*	10.8	11.3	11.3	11.4	11.5	11.1	11.1	11.1	11.2	11.3	11.3	11.3	11.3	11.4	11.5
	HI PR	512	512	511	517	526	514	514	512	518	526	519	519	514	521	529
	LO PR	139	140	137	148	162	142	143	139	149	163	150	150	142	153	166
Air Delivery in CFM - Dry Coil - No Filter (Add .05 Static Press for Wet Coil)																
Speed Tap		External Static Pressure (Inch Water Col)														
		0.1	0.2	0.3	0.4	0.5	0.6	0.7	0.8	0.9	1.0					
1		661	478	334	262	219	196	-	-	-	-					
2		711	655	623	564	529	481	431	392	334	305					
3		869	842	809	768	736	684	650	599	569	523					
4		951	914	883	858	811	775	733	697	658	618					
5		1251	1218	1194	1170	1139	1100	1063	988	871	745					

† Net Capacity (BTU/HR / 1000)

‡ Sensible Heat Ratio (Sensible Capacity / Net Capacity)

†† At 75°F entering dry bulb - Tennessee Valley Authority [TVA] rating conditions; all others at 80°F entering dry bulb.

50CY501174 - 2.0

		PAX330**														
		875					1000					1125				
OD Ambient (°F)	ID Airflow (SCFM)	Entering Indoor Temperature - Degrees F, Wet Bulb														
		57	62	63 †	67	72	57	62	63 †	67	72	57	62	63 †	67	72
75	MBh†	26.6	27.6	28.0	30.1	32.9	27.9	28.3	28.7	30.9	33.7	29.0	29.0	29.3	31.4	34.2
	S/T‡	1.03	0.94	0.75	0.72	0.53	1.03	0.98	0.78	0.75	0.54	1.03	1.03	0.81	0.79	0.56
	AMPS*	9.1	9.6	9.6	9.7	9.9	9.4	9.4	9.4	9.5	9.7	9.6	9.6	9.7	9.8	9.9
	HI PR	318	319	320	326	335	320	320	321	327	336	325	325	323	330	338
	LO PR	128	129	131	141	154	131	131	132	142	156	138	139	136	146	160
85	MBh†	25.7	26.4	26.8	28.8	31.5	26.9	27.1	27.4	29.5	32.1	27.9	27.9	27.9	30.0	32.7
	S/T‡	1.03	0.96	0.76	0.73	0.53	1.03	1.01	0.79	0.77	0.55	1.03	1.03	0.83	0.81	0.57
	AMPS*	10.1	10.6	10.6	10.7	10.9	10.4	10.4	10.4	10.5	10.7	10.6	10.6	10.6	10.8	10.9
	HI PR	361	361	362	368	377	363	363	363	369	378	368	368	365	372	381
	LO PR	131	131	132	143	156	134	134	134	144	158	141	141	138	148	161
95	MBh†	24.7	25.1	25.5	27.4	29.9	25.8	25.8	26.1	28.0	30.5	26.7	26.8	26.5	28.5	31.0
	S/T‡	1.03	0.98	0.77	0.75	0.54	1.03	1.03	0.81	0.79	0.56	1.03	1.03	0.85	0.83	0.58
	AMPS*	11.2	11.6	11.7	11.8	11.9	11.5	11.5	11.5	11.6	11.7	11.7	11.7	11.7	11.8	12.0
	HI PR	408	408	408	415	424	410	410	409	416	425	415	415	412	418	427
	LO PR	133	134	134	144	158	136	137	135	146	159	144	144	139	150	163
105	MBh†	23.6	23.8	24.1	25.9	28.3	24.6	24.7	24.6	26.4	28.8	25.5	25.5	25.0	26.9	29.2
	S/T‡	1.03	1.01	0.79	0.77	0.55	1.03	1.03	0.83	0.81	0.57	1.03	1.03	0.88	0.85	0.60
	AMPS*	12.4	12.8	12.8	13.0	13.1	12.7	12.7	12.7	12.8	12.9	12.9	12.9	12.9	13.0	13.2
	HI PR	460	460	459	466	475	462	462	460	467	476	467	467	463	469	478
	LO PR	136	137	136	146	160	139	140	137	148	161	147	147	141	151	165
115	MBh†	22.4	22.4	22.6	24.3	26.5	23.3	23.4	23.1	24.8	26.9	24.1	24.1	23.4	25.1	27.3
	S/T‡	1.03	1.03	0.82	0.79	0.56	1.03	1.03	0.86	0.84	0.59	1.03	1.03	0.91	0.88	0.61
	AMPS*	13.7	14.1	14.1	14.2	14.4	14.0	14.0	13.9	14.1	14.2	14.2	14.2	14.2	14.3	14.4
	HI PR	516	516	515	521	530	518	518	516	522	530	523	523	518	525	533
	LO PR	139	140	137	148	162	142	143	139	149	163	150	150	142	153	166
Air Delivery in CFM - Dry Coil - No Filter (Add .05 Static Press for Wet Coil)																
Speed Tap		External Static Pressure (Inch Water Col)														
		0.1	0.2	0.3	0.4	0.5	0.6	0.7	0.8	0.9	1.0					
1		754	708	671	618	584	524	494	443	382	342					
2		789	747	714	668	630	582	542	495	460	403					
3		958	923	894	857	828	786	750	712	661	630					
4		1106	1080	1048	1017	992	954	924	881	838	755					
5		1255	1227	1201	1164	1138	1112	1077	1027	934	809					

† Net Capacity (BTU/HR / 1000)

‡ Sensible Heat Ratio (Sensible Capacity / Net Capacity)

†† At 75°F entering dry bulb - Tennessee Valley Authority [TVA] rating conditions; all others at 80°F entering dry bulb.

50CY501175 - 2.0

ID Airflow (SCFM)		PAX336**														
		1050					1200					1350				
		Entering Indoor Temperature - Degrees F, Wet Bulb														
		57	62	63"	67	72	57	62	63"	67	72	57	62	63"	67	72
75	MBh†	33.2	34.4	35.0	37.9	41.7	34.8	35.5	36.0	38.9	42.7	36.2	36.4	36.7	39.7	43.6
	S/T‡	1.00	0.91	0.72	0.69	0.50	1.00	0.95	0.75	0.72	0.52	1.00	0.99	0.78	0.76	0.54
	AMPS*	11.9	12.4	12.5	12.6	12.7	12.2	12.3	12.3	12.4	12.5	12.5	12.5	12.5	12.6	12.8
	HI PR	321	322	323	329	338	323	323	324	330	339	328	328	326	333	341
	LO PR	129	130	132	142	155	132	132	133	143	157	139	140	137	147	161
85	MBh†	31.9	32.8	33.3	36.1	39.7	33.4	33.8	34.2	37.0	40.7	34.7	34.8	34.9	37.7	41.4
	S/T‡	1.00	0.93	0.73	0.71	0.51	1.00	0.97	0.77	0.74	0.53	1.00	1.00	0.80	0.78	0.55
	AMPS*	13.3	13.8	13.8	13.9	14.1	13.6	13.6	13.6	13.7	13.9	13.9	13.9	13.9	14.0	14.2
	HI PR	364	364	365	371	380	366	366	366	372	381	371	371	368	375	384
	LO PR	132	132	133	144	157	135	135	135	145	159	142	142	139	149	162
95	MBh†	30.5	31.1	31.5	34.2	37.7	32.0	32.0	32.3	35.0	38.6	33.2	33.2	33.0	35.7	39.2
	S/T‡	1.00	0.95	0.75	0.72	0.52	1.00	1.00	0.79	0.76	0.54	1.00	1.00	0.82	0.80	0.56
	AMPS*	14.8	15.2	15.3	15.4	15.6	15.1	15.1	15.1	15.2	15.4	15.3	15.3	15.3	15.5	15.6
	HI PR	411	411	411	418	427	413	413	412	419	428	418	418	415	421	430
	LO PR	134	135	135	145	159	137	138	136	147	160	145	145	140	151	164
105	MBh†	29.1	29.3	29.7	32.2	35.6	30.4	30.5	30.4	33.0	36.3	31.6	31.6	31.0	33.6	36.9
	S/T‡	1.00	0.98	0.77	0.74	0.53	1.00	1.00	0.81	0.78	0.55	1.00	1.00	0.85	0.82	0.57
	AMPS*	16.4	16.8	16.8	17.0	17.2	16.7	16.7	16.7	16.8	17.0	16.9	16.9	16.9	17.1	17.2
	HI PR	463	463	462	469	478	465	465	463	470	479	470	470	466	472	481
	LO PR	137	138	137	147	161	140	141	138	149	162	148	148	142	152	166
115	MBh†	27.6	27.6	27.8	30.2	33.3	28.8	28.9	28.4	30.8	34.0	29.9	29.9	28.9	31.4	34.6
	S/T‡	1.00	1.00	0.79	0.77	0.54	1.00	1.00	0.84	0.81	0.56	1.00	1.00	0.88	0.85	0.59
	AMPS*	18.1	18.5	18.5	18.7	18.9	18.4	18.4	18.4	18.5	18.7	18.7	18.7	18.6	18.8	19.0
	HI PR	519	519	518	524	533	521	521	519	525	533	526	526	521	528	536
	LO PR	140	141	138	149	163	143	144	140	150	164	151	151	143	154	167
Air Delivery in CFM - Dry Coil - No Filter (Add .05 Static Press for Wet Coil)																
Speed Tap		External Static Pressure (Inch Water Col)														
		0.1	0.2	0.3	0.4	0.5	0.6	0.7	0.8	0.9	1.0					
1		876	841	794	756	694	651	598	543	499	464					
2		1026	994	949	913	871	841	793	735	683	638					
3		1276	1242	1209	1179	1150	1117	1086	1045	998	946					
4		1630	1588	1526	1477	1415	1354	1287	1216	1145	1070					
5		-	-	-	-	-	-	-	-	-	-					

† Net Capacity (BTU/HR / 1000)
‡ Sensible Heat Ratio (Sensible Capacity / Net Capacity)
†† At 75°F entering dry bulb - Tennessee Valley Authority (TVA) rating conditions; all others at 80°F entering dry bulb.

50CY501176 - 2.0

ID Airflow (SCFM)		PAX342**														
		1225					1400					1575				
		Entering Indoor Temperature - Degrees F, Wet Bulb														
		57	62	63"	67	72	57	62	63"	67	72	57	62	63"	67	72
75	MBh†	38.4	39.6	40.2	43.3	47.2	40.2	40.7	41.2	44.3	48.2	41.7	41.8	42.0	45.1	49.0
	S/T‡	0.98	0.90	0.72	0.69	0.50	0.98	0.95	0.75	0.72	0.52	0.98	0.98	0.78	0.76	0.54
	AMPS*	14.2	14.3	14.3	14.5	14.7	14.3	14.3	14.4	14.5	14.7	14.4	14.4	14.4	14.6	14.8
	HI PR	316	317	318	324	333	318	318	319	325	334	323	323	321	328	336
	LO PR	127	128	130	140	153	130	130	131	141	155	137	138	135	145	159
85	MBh†	37.0	37.8	38.4	41.3	45.0	38.7	38.8	39.3	42.2	45.9	40.1	40.2	40.0	42.9	46.6
	S/T‡	0.98	0.92	0.73	0.70	0.51	0.98	0.97	0.77	0.74	0.53	0.98	0.98	0.80	0.78	0.55
	AMPS*	15.6	15.6	15.7	15.8	16.1	15.7	15.7	15.7	15.9	16.1	15.8	15.8	15.8	15.9	16.2
	HI PR	359	359	360	366	375	361	361	361	367	376	366	366	363	370	379
	LO PR	130	130	131	142	155	133	133	133	143	157	140	140	137	147	160
95	MBh†	35.4	35.9	36.4	39.2	42.7	37.0	37.1	37.3	40.0	43.5	38.4	38.4	37.9	40.7	44.1
	S/T‡	0.98	0.95	0.75	0.72	0.52	0.98	0.98	0.78	0.76	0.54	0.98	0.98	0.82	0.80	0.56
	AMPS*	17.1	17.1	17.2	17.3	17.6	17.2	17.2	17.2	17.4	17.6	17.3	17.3	17.3	17.4	17.7
	HI PR	406	406	406	413	422	408	408	407	414	423	413	413	410	416	425
	LO PR	132	133	133	143	157	135	136	134	145	158	143	143	138	149	162
105	MBh†	33.8	34.0	34.4	37.0	40.2	35.3	35.3	35.1	37.7	41.0	36.5	36.5	35.7	38.3	41.5
	S/T‡	0.98	0.97	0.76	0.74	0.53	0.98	0.98	0.81	0.78	0.55	0.98	0.98	0.85	0.83	0.58
	AMPS*	18.8	18.8	18.8	19.0	19.2	18.9	18.9	18.9	19.0	19.3	18.9	19.0	18.9	19.1	19.3
	HI PR	458	458	457	464	473	460	460	458	465	474	465	465	461	467	476
	LO PR	135	136	135	145	159	138	139	136	147	160	146	146	140	150	164
115	MBh†	32.0	32.1	32.2	34.6	37.6	33.4	33.4	32.8	35.2	38.2	34.4	34.5	33.3	35.7	38.7
	S/T‡	0.98	0.98	0.79	0.76	0.54	0.98	0.98	0.83	0.81	0.57	0.98	0.98	0.88	0.86	0.59
	AMPS*	20.6	20.6	20.6	20.8	21.0	20.7	20.7	20.6	20.8	21.0	20.8	20.8	20.7	20.9	21.1
	HI PR	514	514	513	519	528	516	516	514	520	528	521	521	516	523	531
	LO PR	138	139	136	147	161	141	142	138	148	162	149	149	141	152	165
Air Delivery in CFM - Dry Coil - No Filter (Add .05 Static Press for Wet Coil)																
Speed Tap		External Static Pressure (Inch Water Col)														
		0.1	0.2	0.3	0.4	0.5	0.6	0.7	0.8	0.9	1.0					
1		973	900	853	797	749	702	642	581	529	476					
2		1028	969	924	881	838	789	731	680	617	562					
3		1302	1260	1219	1179	1138	1103	1060	1015	963	923					
4		1481	1448	1412	1374	1336	1298	1263	1226	1186	1143					
5		1569	1537	1500	1463	1423	1389	1353	1317	1276	1208					

† Net Capacity (BTU/HR / 1000)
‡ Sensible Heat Ratio (Sensible Capacity / Net Capacity)
†† At 75°F entering dry bulb - Tennessee Valley Authority (TVA) rating conditions; all others at 80°F entering dry bulb.

50CY501177 - 2.0

		PAX348**														
ID Airflow (SCFM)		1400					1600					1800				
		Entering Indoor Temperature - Degrees F, Wet Bulb														
		57	62	63 ††	67	72	57	62	63 ††	67	72	57	62	63 ††	67	72
75	MBh†	42.8	44.1	44.9	48.4	53.1	44.9	45.4	46.0	49.6	54.3	46.7	46.7	46.9	50.5	55.3
	S/T‡	0.98	0.91	0.72	0.69	0.50	0.98	0.95	0.75	0.73	0.52	0.98	0.98	0.79	0.76	0.54
	AMPS*	15.9	16.4	16.5	16.6	16.9	16.2	16.3	16.3	16.5	16.7	16.5	16.5	16.6	16.8	17.0
	HI PR	323	324	325	331	340	325	325	326	332	341	330	330	328	335	343
	LO PR	125	126	128	138	151	128	128	129	139	153	135	136	133	143	157
85	MBh†	41.3	42.1	42.8	46.3	50.7	43.2	43.4	43.9	47.3	51.9	44.9	44.9	44.7	48.2	52.7
	S/T‡	0.98	0.93	0.73	0.70	0.51	0.98	0.97	0.77	0.74	0.53	0.98	0.98	0.80	0.78	0.55
	AMPS*	17.4	17.9	17.9	18.1	18.4	17.7	17.7	17.8	18.0	18.2	18.0	18.0	18.0	18.2	18.5
	HI PR	366	366	367	373	382	368	368	368	374	383	373	373	370	377	386
	LO PR	128	128	129	140	153	131	131	131	141	155	138	138	135	145	158
95	MBh†	39.6	40.1	40.7	44.0	48.3	41.5	41.5	41.7	45.0	49.3	43.0	43.1	42.5	45.8	50.1
	S/T‡	0.98	0.95	0.75	0.72	0.51	0.98	0.98	0.79	0.76	0.54	0.98	0.98	0.82	0.80	0.56
	AMPS*	19.0	19.5	19.5	19.7	20.0	19.3	19.3	19.4	19.6	19.8	19.6	19.7	19.6	19.8	20.1
	HI PR	413	413	413	420	429	415	415	414	421	430	420	420	417	423	432
	LO PR	130	131	131	141	155	133	134	132	143	156	141	141	136	147	160
105	MBh†	37.9	38.0	38.5	41.7	45.7	39.6	39.7	39.4	42.6	46.6	41.1	41.1	40.1	43.3	47.4
	S/T‡	0.98	0.98	0.77	0.74	0.52	0.98	0.98	0.81	0.78	0.55	0.98	0.98	0.85	0.82	0.57
	AMPS*	20.8	21.2	21.3	21.5	21.8	21.1	21.1	21.1	21.3	21.6	21.4	21.4	21.4	21.6	21.9
	HI PR	465	465	464	471	480	467	467	465	472	481	472	472	468	474	483
	LO PR	133	134	133	143	157	136	137	134	145	158	144	144	138	148	162
115	MBh†	36.0	36.1	36.2	39.1	43.0	37.6	37.7	37.0	39.9	43.8	38.9	39.0	37.6	40.6	44.4
	S/T‡	0.98	0.98	0.79	0.76	0.53	0.98	0.98	0.83	0.81	0.56	0.98	0.98	0.88	0.85	0.59
	AMPS*	22.8	23.2	23.2	23.4	23.7	23.1	23.1	23.0	23.3	23.5	23.4	23.4	23.3	23.5	23.8
	HI PR	521	521	520	526	535	523	523	521	527	535	528	528	523	530	538
	LO PR	136	137	134	145	159	139	140	136	146	160	147	147	139	150	163
Air Delivery in CFM - Dry Coil - No Filter (Add .05 Static Press for Wet Coil)																
Speed Tap		External Static Pressure (Inch Water Col)														
		0.1	0.2	0.3	0.4	0.5	0.6	0.7	0.8	0.9	1.0					
1		1173	1127	1085	1027	983	927	881	821	764	710					
2		1304	1256	1216	1167	1126	1077	1026	979	921	875					
3		1680	1650	1614	1578	1544	1507	1470	1427	1373	1289					
4		1831	1797	1763	1732	1696	1661	1621	1559	1446	1339					
5		2103	2051	2001	1942	1878	1809	1723	1632	1526	1388					

† Net Capacity (BTU/HR / 1000)

‡ Sensible Heat Ratio (Sensible Capacity / Net Capacity)

†† At 75°F entering dry bulb - Tennessee Valley Authority [TVA] rating conditions; all others at 80°F entering dry bulb.

50CY501178 - 2.0

		PAX360**														
ID Airflow (SCFM)		1750					2000					2250				
		Entering Indoor Temperature - Degrees F, Wet Bulb														
		57	62	63 ††	67	72	57	62	63 ††	67	72	57	62	63 ††	67	72
75	MBh†	55.9	57.2	58.1	62.1	67.2	58.3	58.7	59.4	63.4	68.4	60.4	60.5	60.4	64.4	69.4
	S/T‡	0.96	0.90	0.71	0.68	0.49	0.96	0.95	0.74	0.72	0.51	0.96	0.96	0.78	0.76	0.53
	AMPS*	20.2	20.8	20.8	21.2	21.6	20.6	20.7	20.7	21.1	21.5	21.0	21.0	21.0	21.4	21.8
	HI PR	325	326	327	333	342	327	327	328	334	343	332	332	330	337	345
	LO PR	125	126	128	138	151	128	128	129	139	153	135	136	133	143	157
85	MBh†	53.7	54.5	55.4	59.1	63.9	56.0	56.0	56.5	60.3	65.0	57.9	57.9	57.5	61.2	65.9
	S/T‡	0.96	0.92	0.72	0.70	0.50	0.96	0.96	0.76	0.74	0.52	0.96	0.96	0.80	0.78	0.55
	AMPS*	22.0	22.5	22.6	23.0	23.4	22.5	22.5	22.5	22.8	23.3	22.9	22.9	22.8	23.2	23.6
	HI PR	368	368	369	375	384	370	370	370	376	385	375	375	372	379	388
	LO PR	128	128	129	140	153	131	131	131	141	155	138	138	135	145	158
95	MBh†	51.3	51.7	52.4	56.0	60.5	53.5	53.5	53.5	57.0	61.5	55.2	55.3	54.3	57.8	62.3
	S/T‡	0.96	0.95	0.74	0.72	0.51	0.96	0.96	0.78	0.76	0.53	0.96	0.96	0.82	0.80	0.56
	AMPS*	24.0	24.5	24.6	24.9	25.4	24.4	24.4	24.4	24.8	25.2	24.8	24.8	24.7	25.1	25.5
	HI PR	415	415	415	422	431	417	417	416	423	432	422	422	419	425	434
	LO PR	130	131	131	141	155	133	134	132	143	156	141	141	136	147	160
105	MBh†	48.8	48.9	49.3	52.6	56.8	50.7	50.8	50.3	53.5	57.7	52.3	52.4	51.0	54.3	58.4
	S/T‡	0.96	0.96	0.76	0.74	0.52	0.96	0.96	0.80	0.79	0.55	0.96	0.96	0.85	0.83	0.57
	AMPS*	26.2	26.6	26.6	27.0	27.4	26.6	26.6	26.5	26.9	27.3	27.0	27.0	26.8	27.2	27.6
	HI PR	467	467	466	473	482	469	469	467	474	483	474	474	470	476	485
	LO PR	133	134	133	143	157	136	137	134	145	158	144	144	138	148	162
115	MBh†	46.0	46.1	45.9	48.9	52.8	47.7	47.8	46.7	49.7	53.5	49.1	49.2	47.4	50.4	54.1
	S/T‡	0.96	0.96	0.78	0.77	0.53	0.96	0.96	0.83	0.82	0.56	0.96	0.96	0.88	0.87	0.59
	AMPS*	28.5	28.9	28.9	29.2	29.6	28.9	28.9	28.7	29.1	29.5	29.2	29.2	29.0	29.3	29.8
	HI PR	523	523	522	528	537	525	525	523	529	537	530	530	525	532	540
	LO PR	136	137	134	145	159	139	140	136	146	160	147	147	139	150	163
Air Delivery in CFM - Dry Coil - No Filter (Add .05 Static Press for Wet Coil)																
Speed Tap		External Static Pressure (Inch Water Col)														
		0.1	0.2	0.3	0.4	0.5	0.6	0.7	0.8	0.9	1.0					
1		1300	1263	1214	1169	1117	1073	1026	975	926	862					
2		1368	1321	1283	1231	1197	1144	1105	1038	969	913					
3		1839	1807	1772	1735	1702	1667	1629	1590	1535	1460					
4		2091	2056	2023	1987	1935	1878	1811	1729	1640	1536					
5		2188	2140	2096	2039	1974	1905	1827	1745	1642	1537					

† Net Capacity (BTU/HR / 1000)

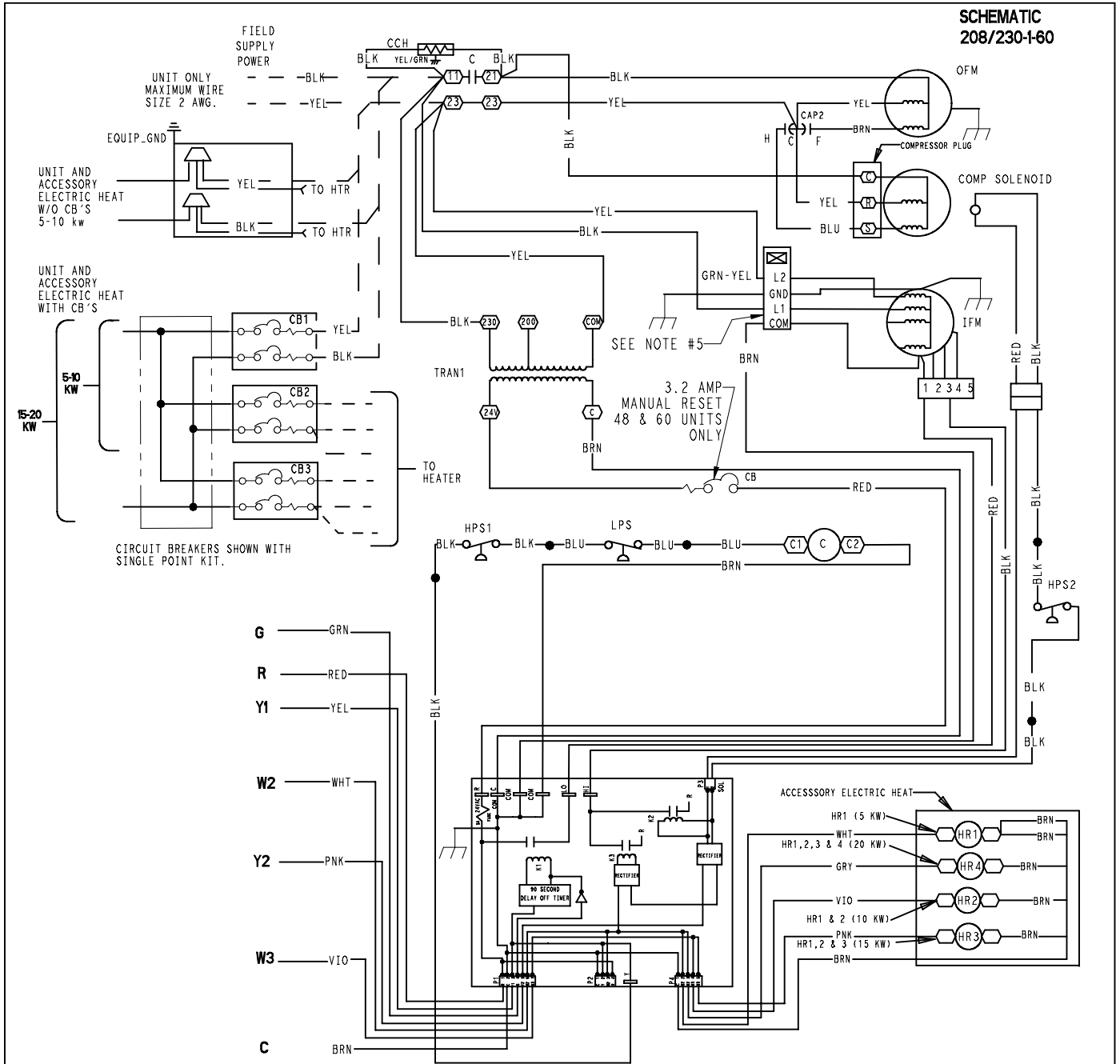
‡ Sensible Heat Ratio (Sensible Capacity / Net Capacity)

†† At 75°F entering dry bulb - Tennessee Valley Authority [TVA] rating conditions; all others at 80°F entering dry bulb.

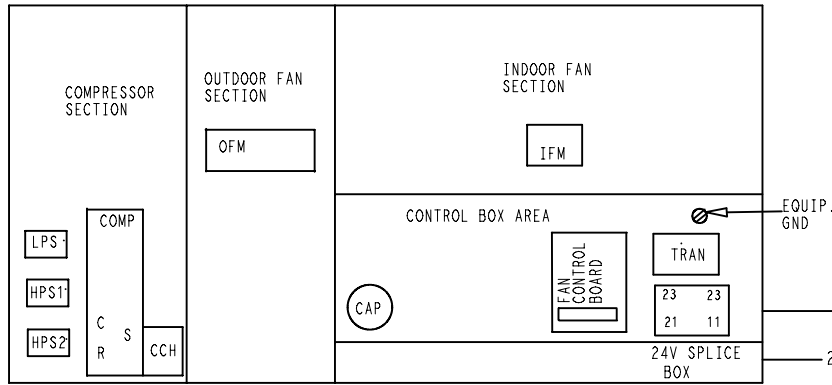
50CY501179 - 2.0

PAX324-60

**SCHEMATIC
208/230-160**



UNIT COMPONENT ARRANGEMENT



LEGEND

- △ FIELD SPLICE
- TERMINAL (MARKED)
- TERMINAL (UNMARKED)
- SPLICE
- SPLICE (MARKED)
- FACTORY WIRING
- FIELD CONTROL WIRING
- FIELD POWER WIRING
- ACCESSORY OR OPTIONAL WIRING
- TO INDICATE COMMON POTENTIAL ONLY; NOT TO REPRESENT WIRING
- C CONTACTOR
- CAP CAPACITOR
- CCH CRANK CASE HEATER
- COMP COMPRESSOR MOTOR
- CTD COMPRESSOR TIME DELAY
- FCB FAN CONTROL BOARD
- GND GROUND
- HR HEATER RELAY
- HPS1 HIGH PRESSURE SWITCH
- HPS2 HIGH PRESSURE SWITCH
- IFM INDOOR FAN MOTOR
- LPS LOW PRESSURE SWITCH
- OFM OUTDOOR FAN MOTOR
- TRAN TRANSFORMER

NOTES:

- IF ANY OF THE ORIGINAL WIRES FURNISHED ARE REPLACED, IT MUST BE REPLACED WITH TYPE 90 DEGREE C WIRE OR IT'S EQUIVALENT.
- SEE PRICE PAGES FOR THERMOSTAT AND SUBBASES.
- USE 75 DEGREE COPPER CONDUCTORS FOR FIELD INSTALLATION.
- RELOCATION OF SPEED TAPS MAY BE REQUIRED WHEN USING FIELD INSTALLED ELECTRIC HEATERS. CONSULT INSTALLATION INSTRUCTIONS TO DETERMINE CORRECT SPEED TAP SETTING.
- "DO NOT DISCONNECT PLUG UNDER LOAD."

FAN SEQUENCE

ENERGIZED ————— DE-ENERGIZED

0 — 6 — T+90

CTD (T1, T2) COMPRESSOR DELAY

0 — .5 SEC — T+5 MIN.

C1 CLOSES
TSAT OPENS