

Parts List, Charging Charts, Wiring Diagrams

PAS072 - 150 SERIES

PACKAGE AIR CONDITIONER UNITS



TABLE OF CONTENTS

PAS072 PARTS LIST -----	2 - 4
PAS072 PARTS DRAWING -----	5 - 8
PAS090-150 PARTS LIST -----	9 - 12
PAS090-150 PARTS DRAWING-----	13 - 18
CHARGING CHARTS -----	19 - 20
WIRING DIAGRAMS -----	21 - 28



PAS072 PARTS LIST

KEY NO.	DESCRIPTION	FAST PARTS NO.	PAS072H000AA	PAS072L000AA	PAS072S000AA
1	CONTACTOR 2P 20A 24V	1171160	*	1	1
1	CONTACTOR 2P 30A 24V	1171554	1	*	*
2	TRANS 208/230>24 40VA	1173691	1	*	*
2	TRANSFORMER	1175310	*	1	*
2	TRANSFORMER 460 & 575>24 75VA	1175311	*	*	1
3	CAP RN OV 370V 7.5	1171728	*	1	*
3	CAP RN OV 370V 10 AERO	1171807	1	*	*
3	CAP RN OV 370V 5	1172149	*	*	1
4	RELAY 24V DPST 9100-211Q28	1171809	1	1	1
5	TERMINAL BOARD	1175340	1	1	1
6	BLOWER ASY	1175283	1	1	1
7	BEARING	1175424	2	2	2
8	BLOWER WHEEL	1175318	1	1	1
9	KEY	1175493	1	1	1
10	MOTOR BLW 230/460 3 1750	1175478	1	1	1
11	PULLEY	1175314	1	1	1
12	PULLEY MOTOR 5/8 X 4.25	1171420	1	1	1
13	BELT V A39 41"	1170556	1	1	1
14	COIL	1175247	1	1	1
15	COIL	1175251	1	1	1
16	RACEWAY	1171428	1	1	1
17	FILTER AIR	1175312	2	2	2
18	MTR CND 1/460 1/4	1171334	*	1	*
18	MTR CND 1/230 1/4	1171335	1	*	*
18	MOTOR CND 575 1 1100	1175303	*	*	1
19	FAN C 22" 3B 1/2" 24 INT	1171220	1	1	1
20	SWITCH LMT 200-M	1171483	1	1	1
21	COMP SRH752AC 460/3/60	1172108	*	1	*
22	FREEZE STAT O30 C45	1171252	1	1	1
38	COMP SRJ752AC 575/3/60	1172106	*	*	1
38	COMP SRY752AC 230/3/60	1172107	1	*	*
47	FILTER DRIER	1175499	1	1	1
52	SWITCH PRESS HI O426 C320	1171805	1	1	1
53	PRESSURE SWITCH	1175308	1	1	1
55	CIRCUIT BREAKER	1175307	*	*	1
56	RELAY 24V DPST 9400-03Q228	1171436	1	1	1
57	FUSE	1171735	1	1	*
58	TERMINAL BLOCK 2P 25A 125V	1171487	1	1	1
A	SCROLL	1175260	1	1	1
AB	PANEL ASY	1175226	1	1	1
AC	COVER ASY	1175227	1	1	1

PAS072 PARTS LIST (continued)

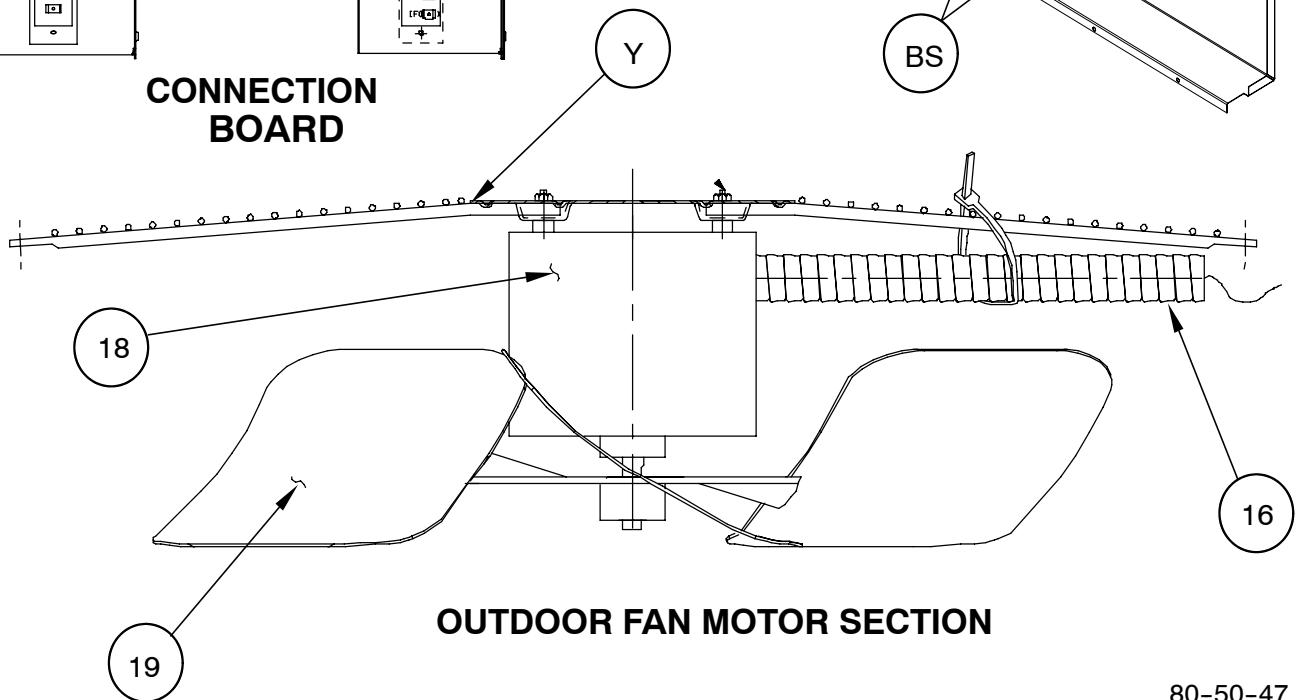
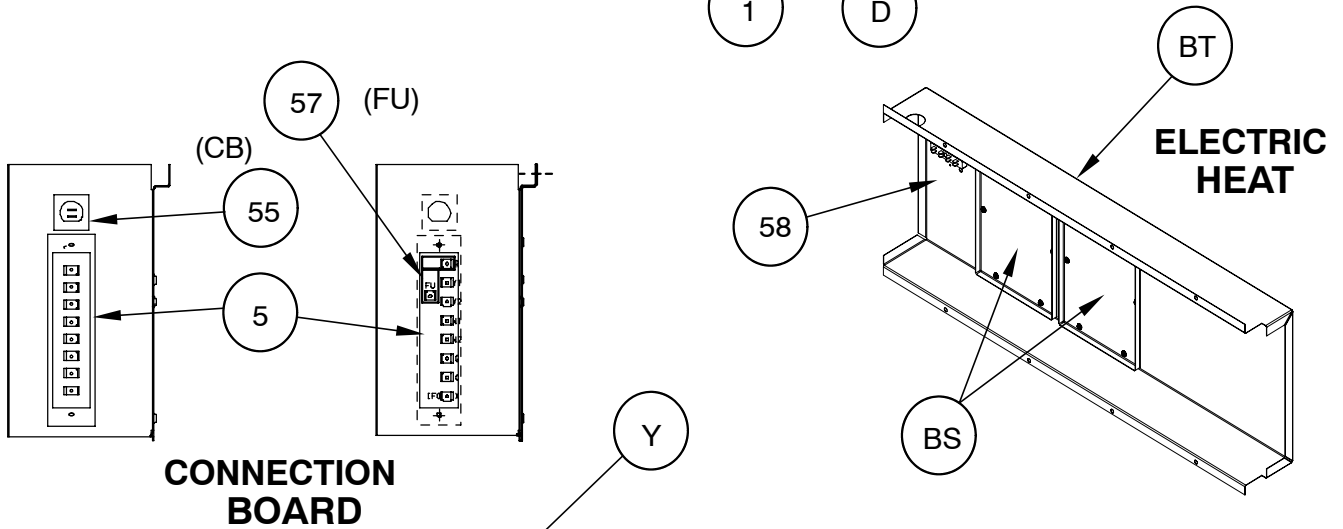
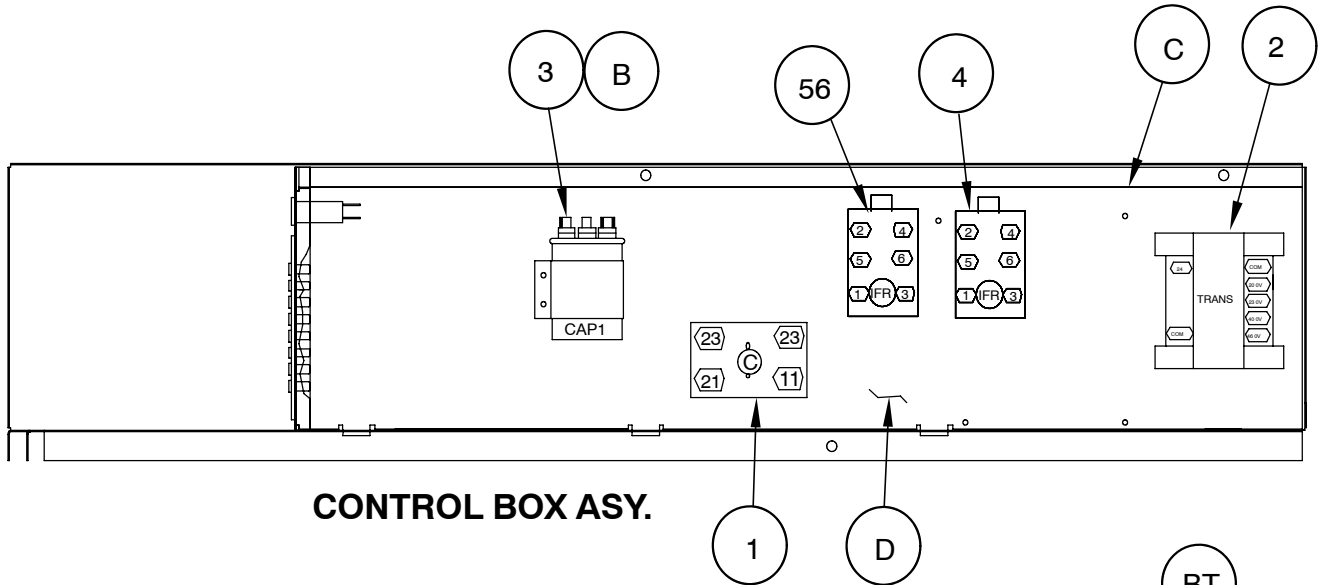
KEY NO.	DESCRIPTION	FAST PARTS NO.	PAS072H000AA	PAS072L000AA	PAS072S000AA
AD	COVER ASY	1175228	1	1	1
AE	PANEL	1175293	1	1	1
AF	POST	1175331	1	1	1
AG	PARTITION	1175292	1	1	1
AH	BRACKET	1175262	1	1	1
AJ	PANEL	1175277	1	1	1
AK	GROMMET COMPRESSOR 1.62"DIA	1171270	4	4	4
AL	PANEL	1175241	1	1	1
AM	PANEL	1175242	1	1	1
B	CLAMP CAPACITOR OVAL	1171552	1	1	1
BF	PANEL	1175336	1	1	1
BK	POST. CENTER	1175254	1	1	1
BL	FRAME ASY	1175238	1	1	1
BP	PLATE ASY	1175664	1	1	1
BQ	BRACKET	1175335	1	1	1
BR	PANEL	1175337	1	1	1
BS	PLATE	1175332	2	2	2
BT	PANEL	1175333	1	1	1
BU	PANEL	1175327	1	1	1
BV	BASE PAN ASY	1175328	1	1	1
C	CONTROL BOX	1175257	1	1	1
D	PANEL	1171373	1	1	1
E	BRACKET	1175483	1	1	1
F	BRACKET ASY	1175423	2	2	2
G	PANEL ASY	1175229	1	1	1
H	POST ASY	1175230	2	2	2
J	POST	1175255	1	1	1
K	PAN ASY	1175243	1	1	1
L	POST	1175256	1	1	1
M	DECK	1175259	1	1	1
N	BRACKET COIL (HEADER END)	1171070	1	1	1
P	PLATE	1175270	*	1	1
Q	COVER ASY	1175280	1	1	1
R	BASE PAN ASY	1175231	1	1	1
S	BRACKET BASE (CORNER)	1171071	2	2	2
T	RAIL	1175263	1	1	1
U	RAIL	1175265	1	1	1
V	RAIL	1175266	1	1	1
W	RAIL	1175279	1	1	1
X	PLATE	1175294	1	1	1
Y	GRILLE OUTLET	1171267	1	1	1

PAS072 PARTS LIST (continued)

KEY NO.	DESCRIPTION	FAST PARTS NO.	PAS072H000AA	PAS072L000AA	PAS072S000AA
Z	COVER CONTROL	1171169	1	1	1
PARTS NOT SHOWN					
I	PLUG ASSEMBLY ECONOMIZER	1171405	1	1	1
I	HARNESS ASY (COM WIRING)	1175281	1	1	1
I	HARNESS ASY (PL6)	1175284	1	1	1
I	HARNESS ASY (PAC)	1175329	1	1	1
I	HARNESS ASY (IFM)	1175663	1	1	1

PAS072

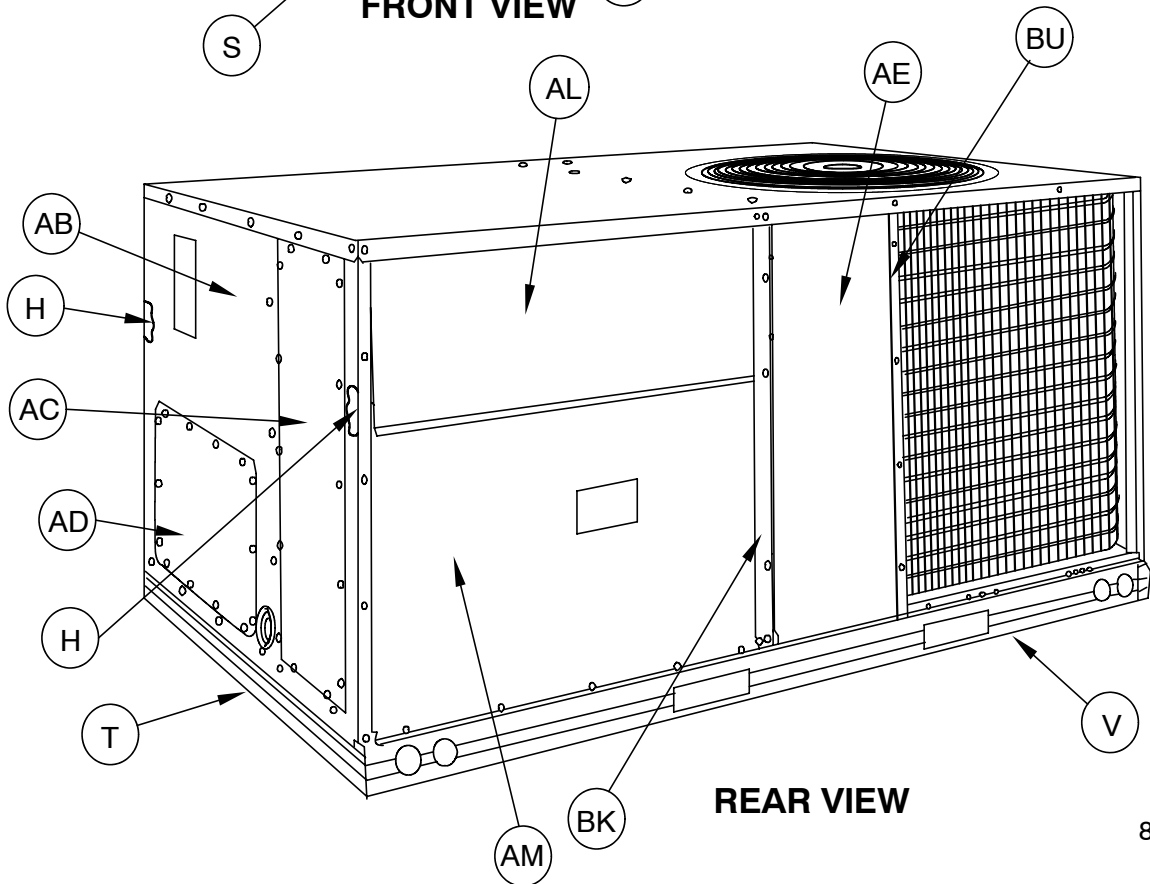
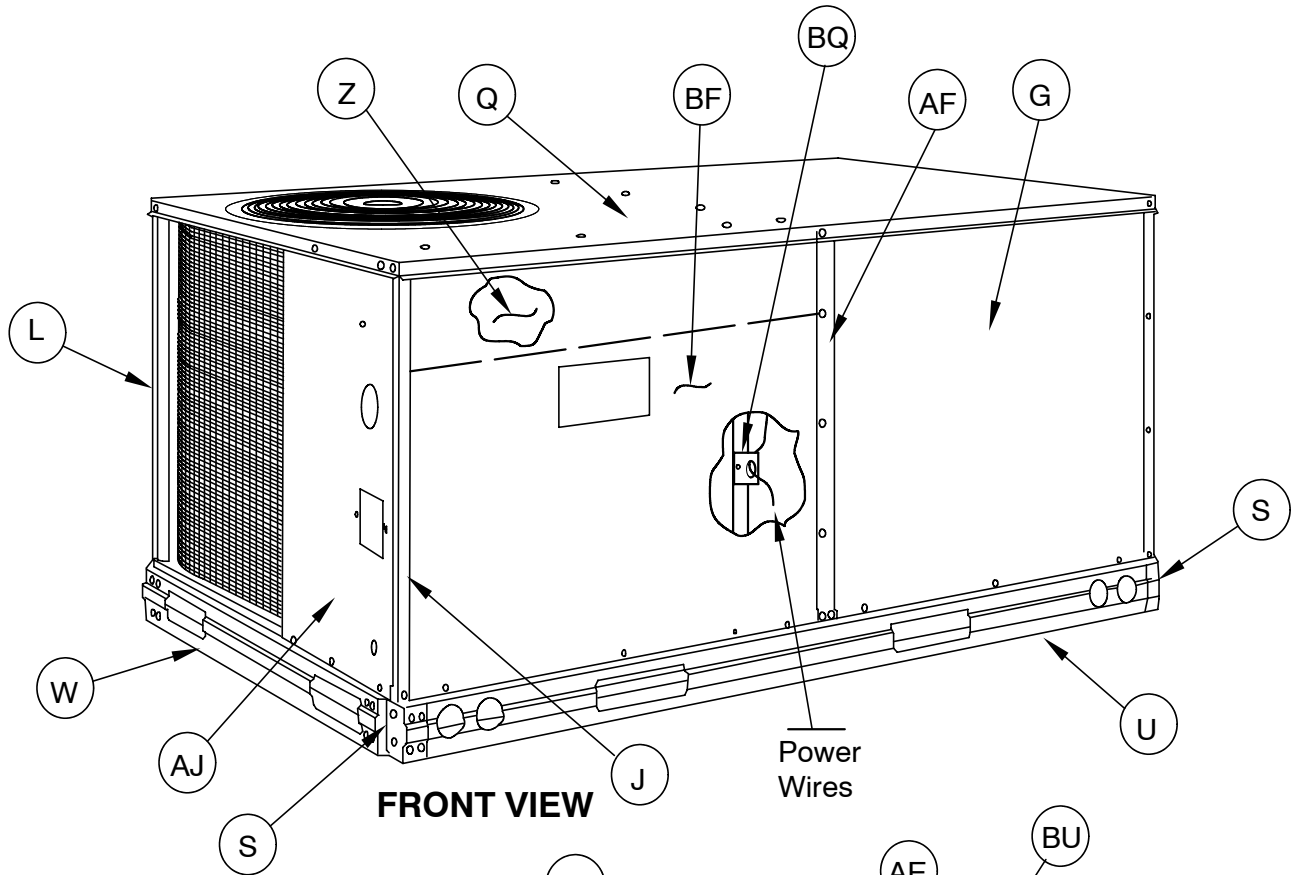
NOTE: This illustration is for reference only. Your unit may differ in appearance or may not include all components shown.



80-50-47

PAS072

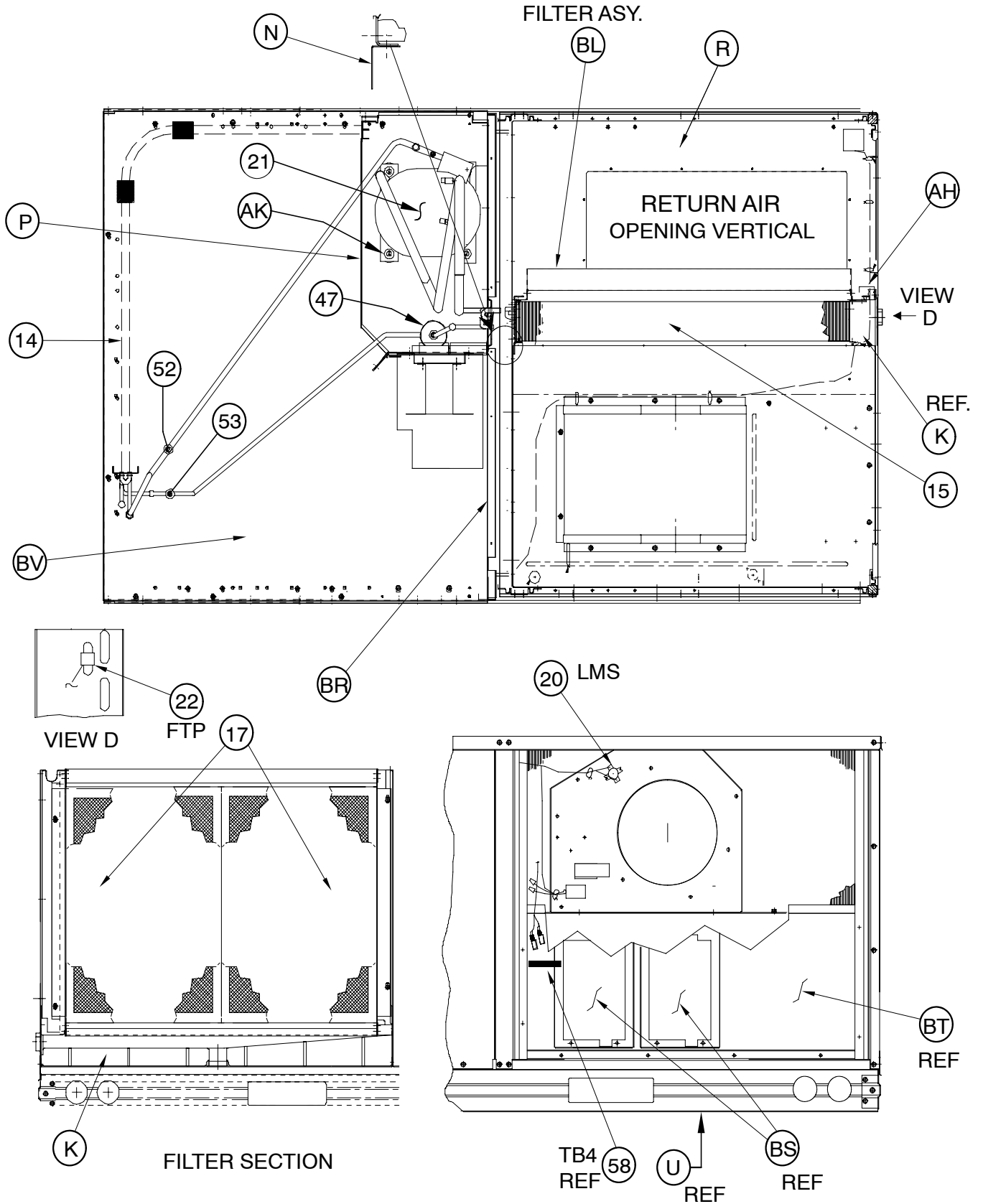
NOTE: This illustration is for reference only. Your unit may differ in appearance or may not include all components shown.



80-50-45

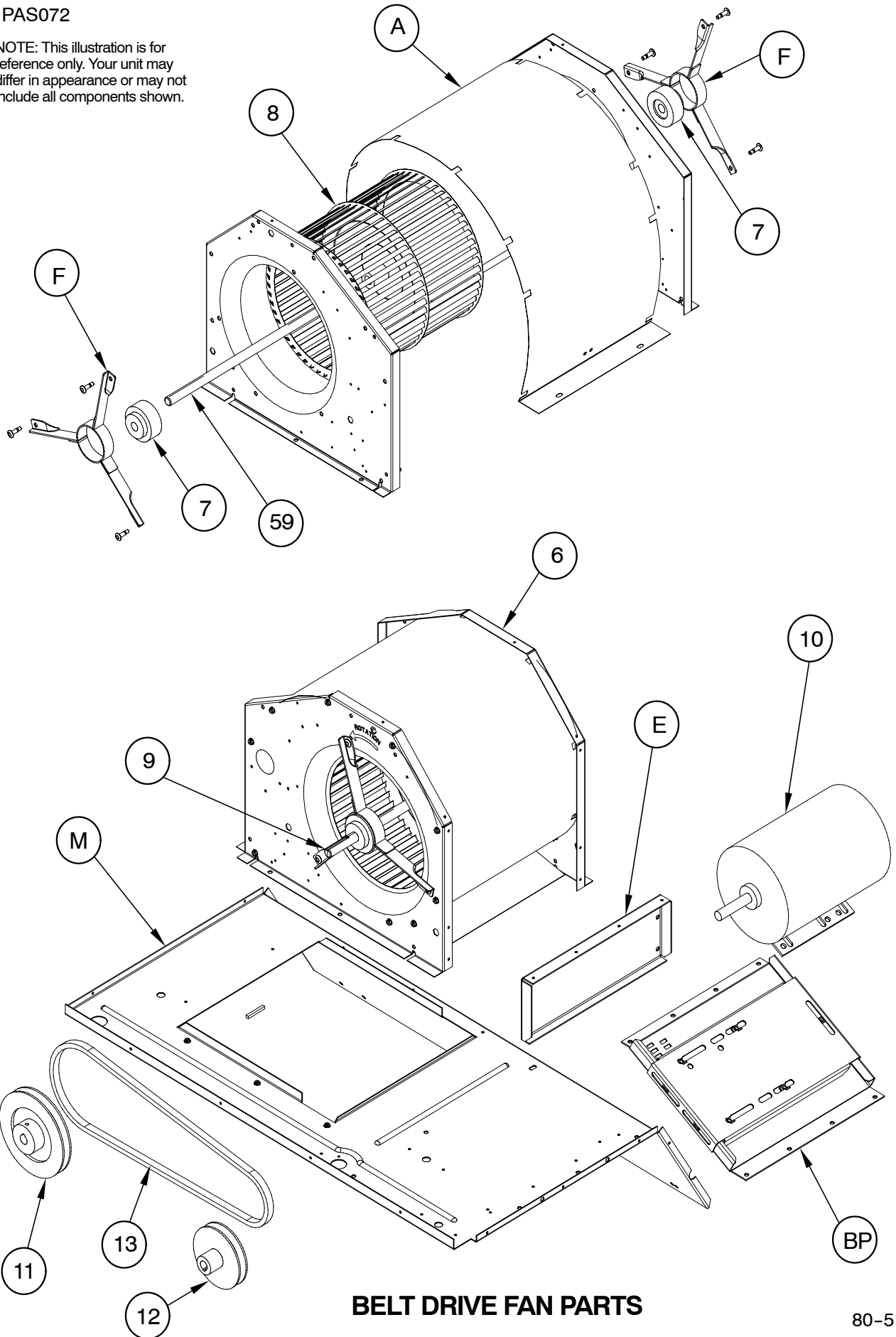
PAS072

NOTE: This illustration is for reference only. Your unit may differ in appearance or may not include all components shown.



PAS072

NOTE: This illustration is for reference only. Your unit may differ in appearance or may not include all components shown.



BELT DRIVE FAN PARTS

80-51-47

PAS090 - 150 PARTS LIST

KEY NO.	DESCRIPTION	FAST PARTS NO.	PAS090H000AA	PAS090L000AA	PAS090S000AA	PAS120H000AA	PAS120L000AA	PAS120S000AA	PAS150H000AA	PAS150L000AA	PAS150S000AA
1	PANEL INDOOR END	1171308	*	*	*	1	1	1	1	1	1
1	PANEL INDOOR END	1171375	1	1	1	*	*	*	*	*	*
2	COVER SUPPLY AIR	1171182	1	1	1	1	1	1	1	1	1
3	COVER RETURN AIR	1171180	*	*	*	1	1	1	1	1	1
3	COVER RETURN AIR	1171181	1	1	1	*	*	*	*	*	*
4	PANEL INDOOR FAN ACCESS	1171004	1	1	1	*	*	*	*	*	*
4	PANEL INDOOR FAN ACCESS	1171364	*	*	*	1	1	1	1	1	1
5	POST CORNER	1171175	2	2	2	*	*	*	*	*	*
5	POST CORNER	1171309	*	*	*	2	2	2	2	2	2
6	POST CENTER FILTER ACCESS	1171109	*	*	*	1	1	1	1	1	1
6	POST CENTER FILTER ACCESS	1171406	1	1	1	*	*	*	*	*	*
7	COIL COND	1171121	1	1	1	*	*	*	*	*	*
7	COIL COND	1171128	*	*	*	1	1	1	*	*	*
7	COIL COND	1171129	*	*	*	*	*	*	1	1	1
8	POST CORNER	1171172	*	*	*	1	1	1	1	1	1
8	POST CORNER	1171173	1	1	1	*	*	*	*	*	*
9	POST CORNER	1171174	*	*	*	1	1	1	1	1	1
9	POST CORNER	1171177	1	1	1	*	*	*	*	*	*
10	POST CENTER COMP ACCESS	1171110	1	1	1	*	*	*	*	*	*
10	POST CENTER COMP ACCESS	1171407	*	*	*	1	1	1	1	1	1
11	COVER ASY TOP	1171365	1	1	1	1	1	1	1	1	1
12	PANEL OUTDOOR ACCESS	1171003	1	1	1	*	*	*	*	*	*
12	PANEL OUTDOOR ACCESS	1171356	*	*	*	1	1	1	*	*	*
12	PANEL OUTDOOR ACCESS	1171368	*	*	*	*	*	*	1	1	1
12	PULLEY 5/8 X 4.00	1171426	*	*	1	*	*	*	*	*	*
13	PANEL CONTROL BOX ACCESS	1171362	1	1	1	*	*	*	*	*	*
13	PANEL CONTROL BOX ACCESS	1171363	*	*	*	1	1	1	1	1	1
15	RAIL BASE	1171031	1	1	1	1	1	1	1	1	1
16	PANEL END SKIRT	1171206	1	1	1	1	1	1	1	1	1
17	SEAL DRAIN LINE ROUND	1171447	1	1	1	1	1	1	1	1	1
18	RAIL BASE	1171033	1	1	1	1	1	1	1	1	1
19	PANEL FILTER ACCESS	1171385	*	*	*	1	1	1	1	1	1
19	PANEL FILTER ACCESS	1171386	1	1	1	*	*	*	*	*	*
20	PANEL FILTER ACCESS LOWER	1171382	1	1	1	1	1	1	1	1	1
23	RAIL BASE	1171032	1	1	1	1	1	1	1	1	1
24	BRACKET BASE (CORNER)	1171071	2	2	2	2	2	2	2	2	2
25	PAINT DARK GREY 16OZ AEROSOL	1171357	1	1	1	1	1	1	1	1	1
32	PAN CONDENSATE	1171359	1	1	1	1	1	1	1	1	1
33	BRACKET COIL (HEADER END)	1171070	1	1	1	1	1	1	1	1	1
34	BASE PAN OUTDOOR	1171024	1	1	1	*	*	*	*	*	*
34	BASE PAN OUTDOOR	1171025	*	*	*	1	1	1	1	*	*

PAS090 - 150 PARTS LIST (continued)

KEY NO.	DESCRIPTION	FAST PARTS NO.	PAS090H000AA	PAS090L000AA	PAS090S000AA	PAS120H000AA	PAS120L000AA	PAS120S000AA	PAS150H000AA	PAS150L000AA	PAS150S000AA
35	PANEL	1171372	2	2	2	2	2	2	2	2	2
37	COMP CR42K6-TFD-960	1171141	*	2	*	*	*	*	*	*	*
37	COMP CR42K6-TF5-960	1171142	2	*	*	*	*	*	*	*	*
37	COMP CR42K6-TFE-960	1171146	*	*	2	*	*	*	*	*	*
37	COMP H28A583DBFA 704205	1171149	*	*	*	*	*	2	*	*	*
37	COMP H28A583DBEA 704248	1171150	*	*	*	*	2	*	*	*	*
37	COMP H28A583DBLA 704246	1171151	*	*	*	2	*	*	*	*	*
37	COMP SRH752AE 460-3-60	1171442	*	*	*	*	*	*	*	2	*
37	COMP SRY752AE 230/3/60	1171443	*	*	*	*	*	*	2	*	*
37	COMP SRJ752AE	1171444	*	*	*	*	*	*	*	*	2
38	GROMMET COMPRESSOR 1.25"DIA	1171269	8	8	8	8	8	8	*	*	*
38	GROMMET COMPRESSOR 1.62"DIA	1171270	*	*	*	*	*	*	8	8	8
39	BOLT HEX HEAD COMPRESSOR MTG	1171056	8	8	8	8	8	8	8	8	8
40	CONTROL BOX ASY COMPLETE	1171137	1	1	*	*	*	*	*	*	*
44	CONTROL BOX	1171059	1	1	1	1	1	1	1	1	1
45	PANEL	1171373	1	1	1	1	1	1	1	1	1
46	CLAMP	1171537	1	1	1	1	1	1	1	1	1
47	CAP RN OV 370V 10+10	1171105	1	1	1	1	1	1	1	1	1
48	BREAKER 3.2A 1 POLE 250V	1171114	1	1	1	1	1	1	1	1	1
49	CONTACTOR 2P 30A 24V	1171163	1	1	1	1	1	1	3	1	1
50	RELAY 24V DPST 9400-03Q228	1171436	1	1	1	1	1	1	1	1	1
51	TRANS 200/230/460>24 75VA	1171496	1	1	1	1	1	1	1	1	1
52	BOARD TERMINAL LO VOLT 8P	1171488	1	1	1	1	1	1	1	1	1
54	CONTACTOR 2P 20A 24V	1171160	2	2	2	2	2	2	*	2	2
55	RELAY 24V DPDT R8222D1121	1171435	1	1	1	1	1	1	1	1	1
56	GRILLE OUTLET	1171267	2	2	2	2	2	2	2	2	2
57	FAN C 22" 3B 1/2" 24 INT	1171220	2	2	2	2	2	2	2	2	2
58	MTR CND 1/460 1/4	1171334	*	2	2	*	2	2	*	2	2
58	MTR CND 1/230 1/4	1171335	2	*	*	2	*	*	2	*	*
59	RACEWAY	1171428	2	2	2	2	2	2	2	2	2
60	SWITCH LMT 200-M	1171483	1	1	1	1	1	1	1	1	1
61	FREEZE STAT O30 C45	1171252	1	1	1	1	1	1	1	1	1
64	TERMINAL BLOCK 2P 25A 125V	1171487	1	1	1	1	1	1	1	1	1
65	COIL EVAP	1171123	*	*	*	*	*	*	1	1	1
65	COIL EVAP	1171124	1	1	1	*	*	*	*	*	*
65	COIL EVAP	1171134	*	*	*	1	1	1	*	*	*
66	WIRE HARNESS ASY PL6	1171526	1	1	1	1	1	1	1	1	1
67	BRACKET (575V)	1171069	*	*	1	*	*	1	*	*	1
68	TRANS 240/480>120/240 1KVA	1171495	*	*	*	*	*	*	*	*	2
68	TRANS 240/480>120/240 .75KVA	1171497	*	*	2	*	*	2	*	*	*
70	MTR BLT 3/208-460 2.5 1725	1171337	1	1	1	1	1	1	*	*	*

PAS090 - 150 PARTS LIST (continued)

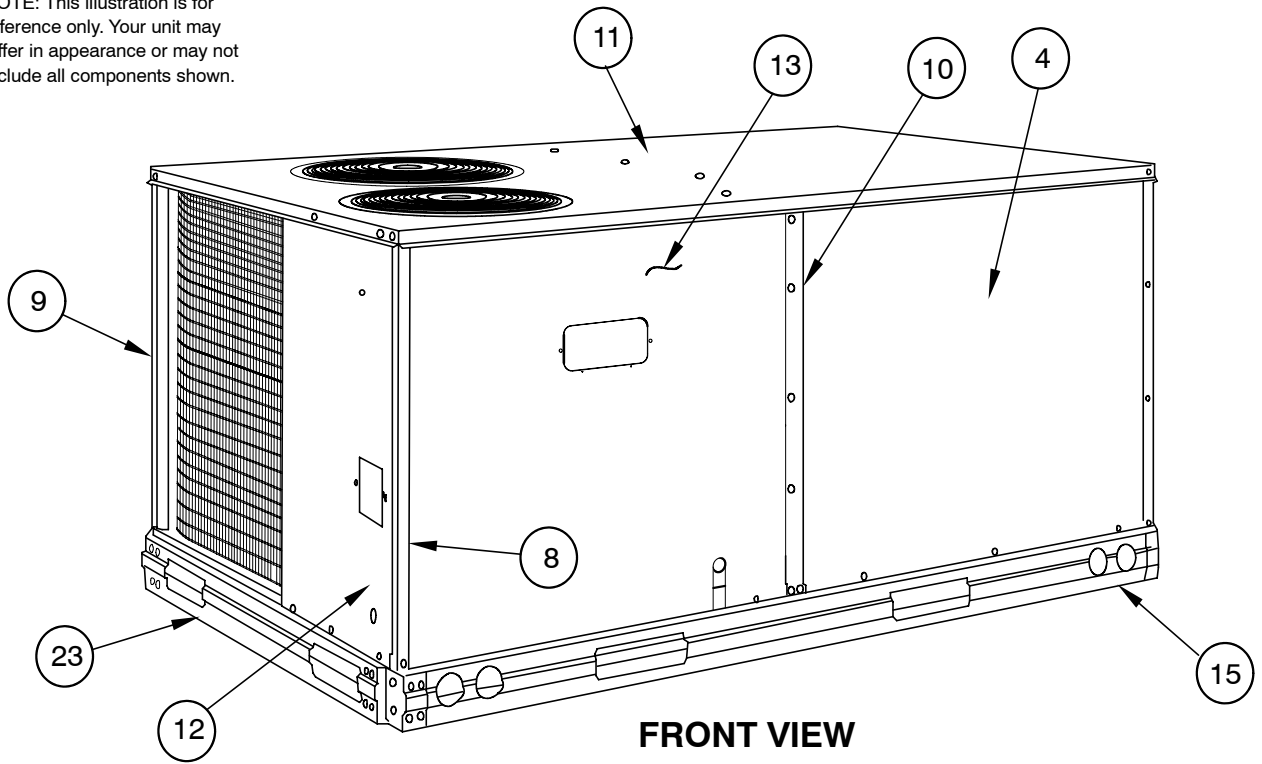
KEY NO.	DESCRIPTION	FAST PARTS NO.	PAS090H000AA	PAS090L000AA	PAS090S000AA	PAS120H000AA	PAS120L000AA	PAS120S000AA	PAS150H000AA	PAS150L000AA	PAS150S000AA
70	MTR BLT 3/208-460 3.5 1750	1171340	*	*	*	*	*	*	1	1	1
71	PULLEY 1 X 8.25 AK84	1171415	*	*	*	*	*	*	1	1	1
71	PULLEY 1 X 6.93 AM74	1171422	1	1	1	1	1	1	*	*	*
72	PULLEY MOTOR 5/8 X 4.25	1171420	*	*	*	1	1	1	*	*	*
72	PULLEY MOTOR	1171423	*	*	*	*	*	*	1	1	1
72	PULLEY 5/8 X 4.00	1171426	1	1	*	*	*	*	*	*	*
73	BELT V A49 51"	1171513	*	*	*	1	1	1	*	*	*
73	BELT V A53 55"	1171514	*	*	*	*	*	*	1	1	1
73	BELT V A48 50"	1171516	1	1	1	*	*	*	*	*	*
74	DECK FAN	1171214	1	1	1	1	1	1	1	1	1
76	BRACKET ASY	1171062	2	2	2	2	2	2	2	2	2
77	PLATE FAN DRIVE SIDE	1171227	*	*	*	1	1	1	1	1	1
77	PLATE FAN	1171395	1	1	1	*	*	*	*	*	*
78	PLATE FAN	1171218	*	*	*	1	1	1	1	1	1
78	PLATE FAN	1171396	1	1	1	*	*	*	*	*	*
79	SCROLL FAN	1171223	*	*	*	1	1	1	1	1	1
79	SCROLL FAN	1171445	1	1	1	*	*	*	*	*	*
80	SHAFT BLR	1171452	1	1	1	1	1	1	1	1	1
81	PLATE MOTOR	1171388	1	1	1	1	1	1	1	1	1
82	BRACKET ASY MOTOR MOUNT	1171078	*	*	*	1	1	1	1	1	1
82	BRACKET ASY MOTOR MOUNT	1171345	1	1	1	*	*	*	*	*	*
83	PLATE	1171391	1	1	1	*	*	*	*	*	*
83	PLATE	1171399	*	*	*	1	1	1	1	1	1
84	BRACKET MOTOR	1171077	1	1	1	1	1	1	1	1	1
85	BOLT CARRIAGE 5/16-18 X 10	1171057	1	1	1	1	1	1	1	1	1
87	BEARING BALL 1"	1171037	2	2	2	2	2	2	2	2	2
88	WHEEL BD15x15x1 REV CV DBL	1171050	1	1	1	1	1	1	1	1	1
91	FRAME ASY ECON TRACK	1171205	*	*	*	1	1	1	1	1	1
91	FRAME FILTER ASY	1171234	1	1	1	*	*	*	*	*	*
92	RETAINER FILTER	1171239	1	1	1	1	1	1	1	1	1
93	RETAINER FILTER	1171238	1	1	1	1	1	1	1	1	1
94	RETAINER FILTER	1171240	2	2	2	*	*	*	*	*	*
94	FILTER RETAINER	1171536	*	*	*	2	2	2	2	2	2
95	FILTER AIR 16X20X2 DISP	1171230	4	4	4	*	*	*	*	*	*
95	FILTER AIR 20X20X2 DISP	1171231	*	*	*	4	4	4	4	4	4
17A	SEAL DRAIN LINE SQUARE	1171202	1	1	1	1	1	1	1	1	1
PARTS NOT SHOWN											
]]	PLATE BLOCKOFF	1171040	1	1	1	*	*	*	*	*	*
]]	BLOWER ASY	1171043	1	1	1	*	*	*	*	*	*
]]	CAP FLARE	1171101	4	4	4	4	4	4	4	4	4
]]	CAP SEAL	1171102	*	*	*	4	4	4	*	*	*
]]	COVER CONTROL	1171169	1	1	1	1	1	1	1	1	1

PAS090 - 150 PARTS LIST (continued)

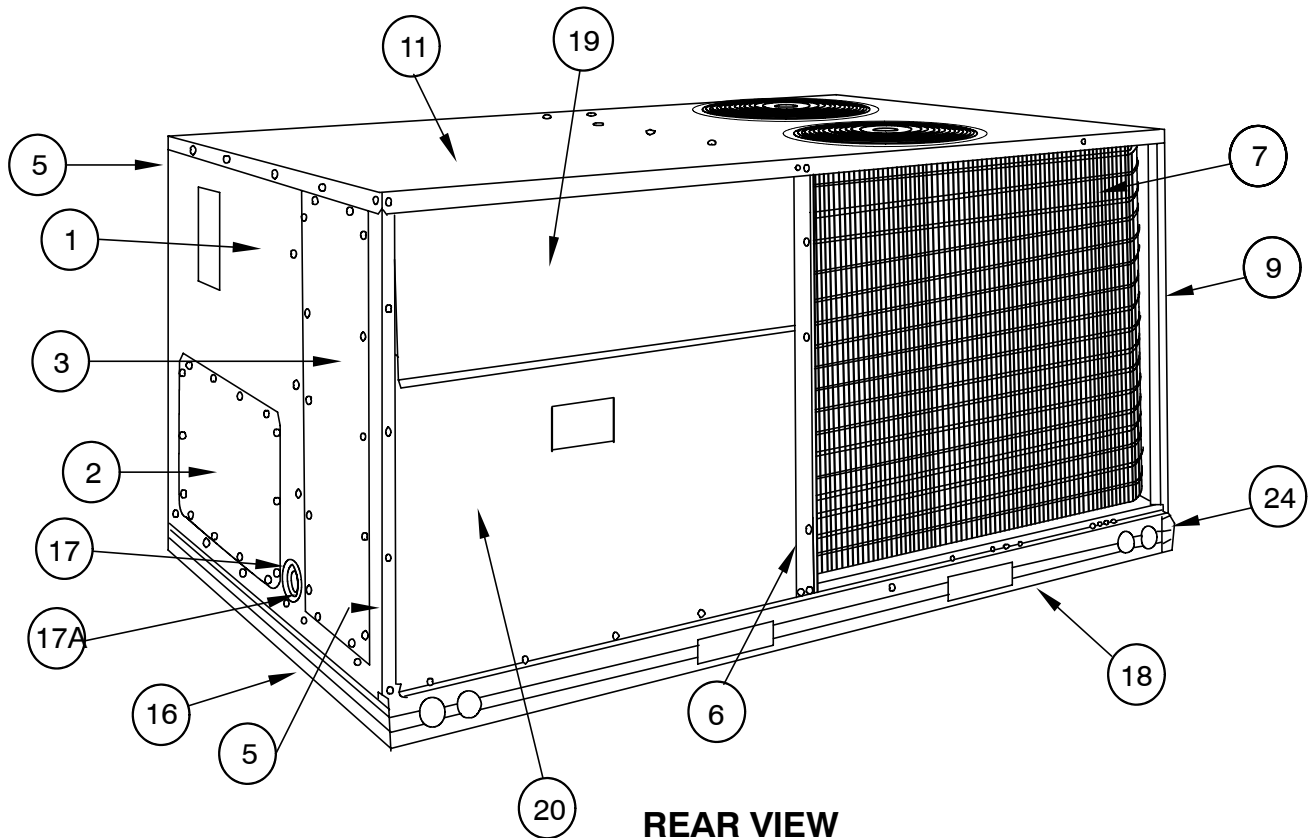
KEY NO.	DESCRIPTION	FAST PARTS NO.	PAS090H000AA	PAS090L000AA	PAS090S000AA	PAS120H000AA	PAS120L000AA	PAS120S000AA	PAS150H000AA	PAS150L000AA	PAS150S000AA
II	CORE VALVE	1171170	*	*	*	4	4	4	*	*	*
II	PANEL FILTER ACCESS	1171200	1	1	1	*	*	*	*	*	*
II	DRIER 08 CI 3/8"IN & OUT	1171232	2	2	2	*	*	*	*	*	*
II	DRIER 08 CI 3/8"IN & OUT	1171233	*	*	*	2	2	2	2	2	2
II	HEADER ASY UPPER	1171275	*	*	*	*	*	*	1	1	1
II	HEADER ASY LOWER	1171276	*	*	*	1	1	1	*	*	*
II	HEADER ASY LOWER	1171278	*	*	*	*	*	*	1	1	1
II	HEADER ASY LOWER	1171279	1	1	1	*	*	*	*	*	*
II	HEADER ASY UPPER	1171281	*	*	*	1	1	1	*	*	*
II	HEADER ASY UPPER	1171282	1	1	1	*	*	*	*	*	*
II	SWITCH PRESS HI O426 C320	1171303	2	2	2	2	2	2	2	2	2
II	HTR BRACKET	1171304	1	1	1	1	1	1	1	1	1
II	INDOOR BASE PAN	1171307	1	1	1	1	1	1	*	*	*
II	KEY SHAFT 1/4X1/4X1-3/4	1171322	1	1	1	1	1	1	1	1	1
II	RACEWAY 24V	1171326	*	*	*	1	1	1	1	1	1
II	PANEL	1171374	*	*	*	1	1	1	1	1	1
II	PANEL	1171384	1	1	1	*	*	*	*	*	*
II	PANEL	1171387	*	*	*	*	*	1	*	*	1
II	PLUG	1171401	1	1	1	1	1	1	1	1	1
II	PLUG ASSEMBLY ECONOMIZER	1171405	1	1	1	1	1	1	1	1	1
II	SWITCH PRESS LO O07 C22	1171412	2	2	2	2	2	2	2	2	2
II	RACEWAY-24VT	1171429	1	1	1	*	*	*	*	*	*
II	RECEPTACLE	1171430	*	*	*	*	*	1	*	*	*
II	SUPPORT TRACK	1171472	1	1	1	1	1	1	1	1	1
II	FITTING ACCESS	1171507	2	2	2	2	2	2	2	2	2
II	CORE VALVE	1171508	8	8	8	8	8	8	8	8	8
II	BELT DRIVE FAN PARTS (STD)	1171531	1	1	1	*	*	*	*	*	*
II	BELT DRIVE FAN PARTS (STD)	1171532	*	*	*	1	1	1	*	*	*
II	BELT DRIVE FAN PARTS (STD)	1171533	*	*	*	*	*	*	1	1	1
II	PANEL FILTER ACCESS	1171789	*	*	*	*	*	*	1	*	*
II	PANEL FILTER ACCESS	1171790	*	*	*	*	1	*	*	1	*
II	PANEL FILTER ACCESS	1171797	*	*	*	1	*	*	*	*	*
II	WIRE HARNESS ASY	1173199	1	1	1	1	1	1	1	1	1
II	CONV KIT NAT>LP	AXB345LPA	1	1	1	1	1	1	1	1	1

PAS090, PAS120, PAS150

NOTE: This illustration is for reference only. Your unit may differ in appearance or may not include all components shown.



FRONT VIEW

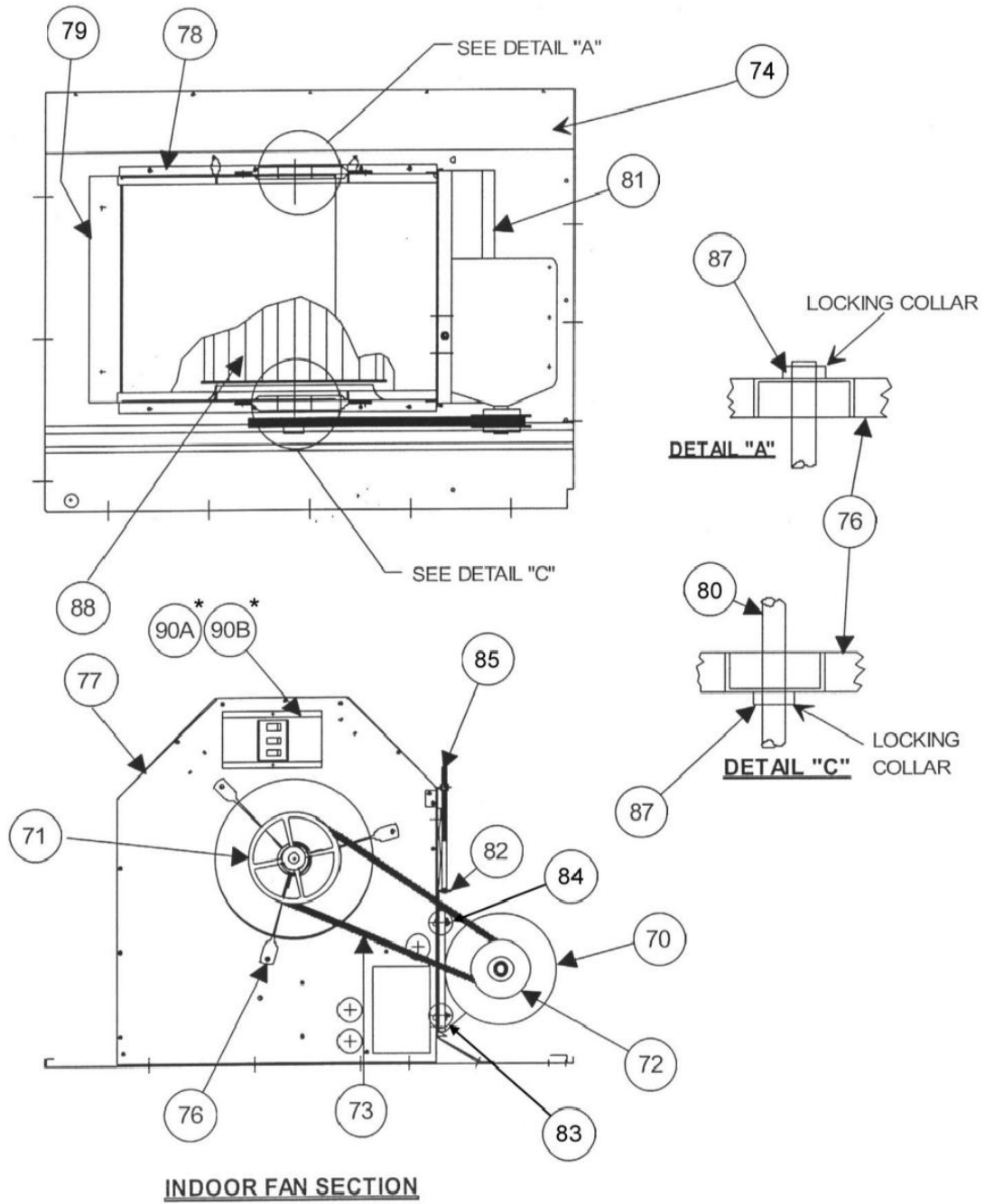


REAR VIEW

PAS090, PAS120, PAS150

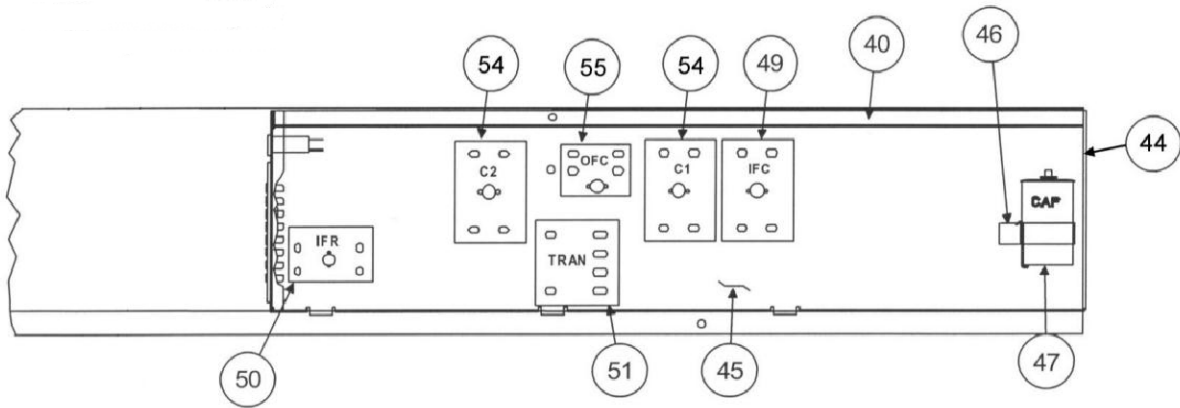
NOTE: This illustration is for reference only. Your unit may differ in appearance or may not include all components shown.

*MAY NOT BE USED ON ALL UNITS

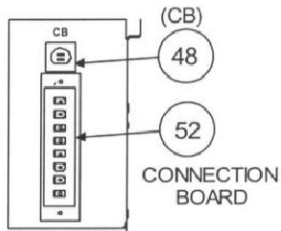


PAS090, PAS120

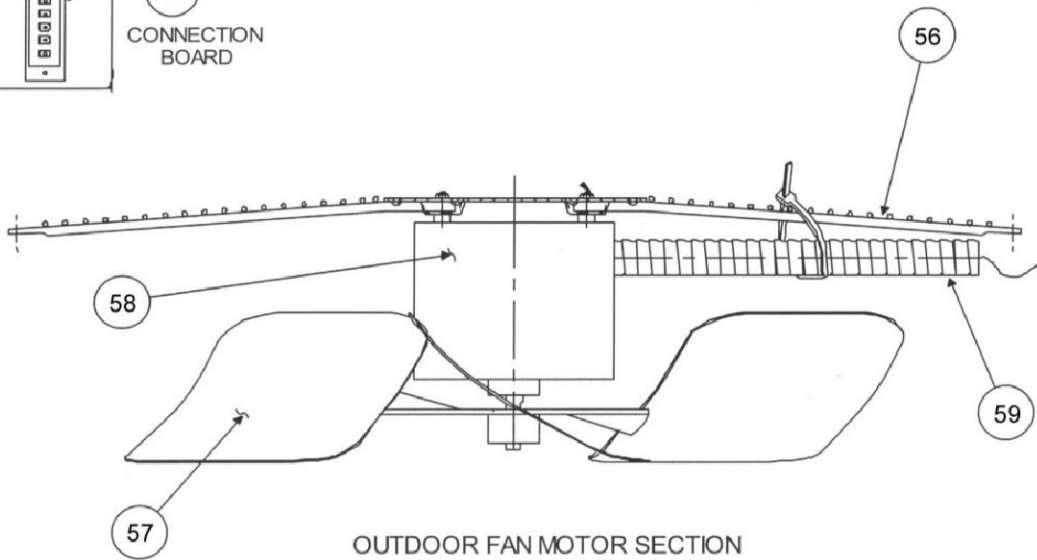
NOTE: This illustration is for reference only. Your unit may differ in appearance or may not include all components shown.



CONTROL BOX ASY. ITEM #40



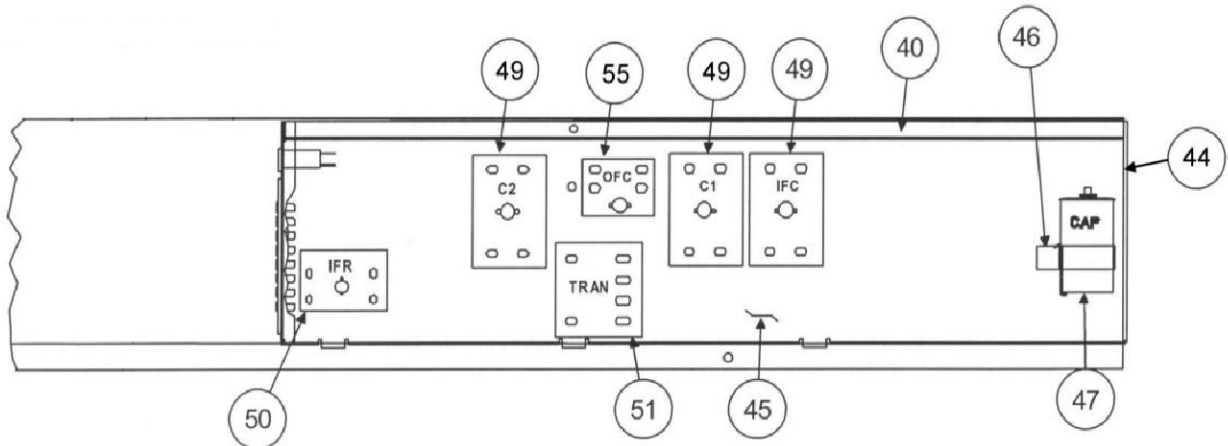
CONNECTION BOARD



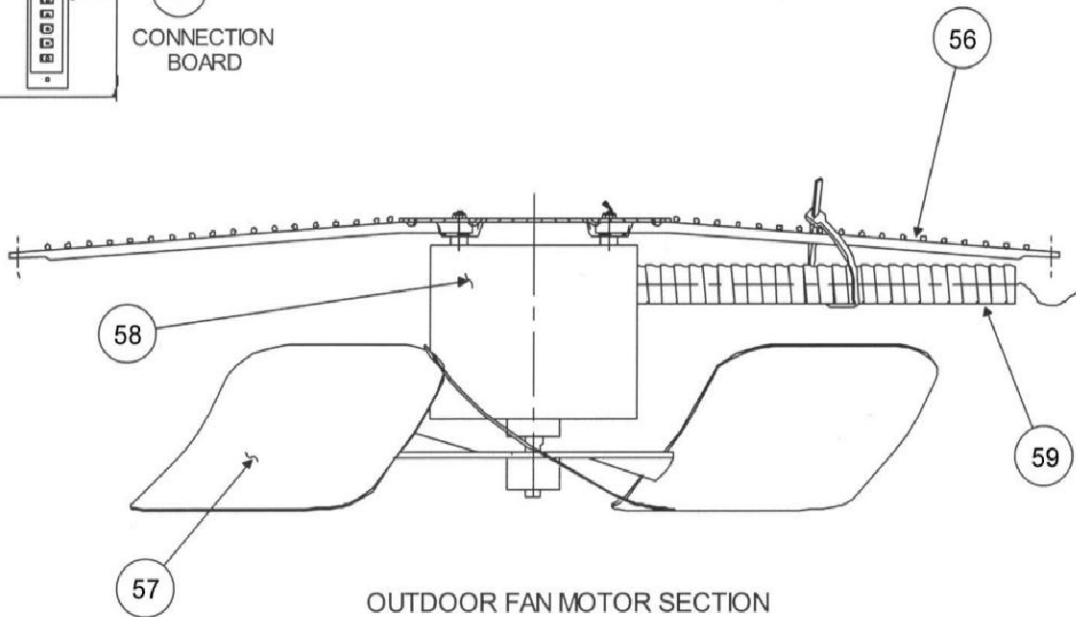
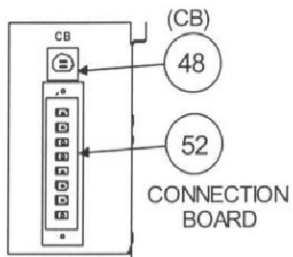
OUTDOOR FAN MOTOR SECTION

PAS150

NOTE: This illustration is for reference only. Your unit may differ in appearance or may not include all components shown.

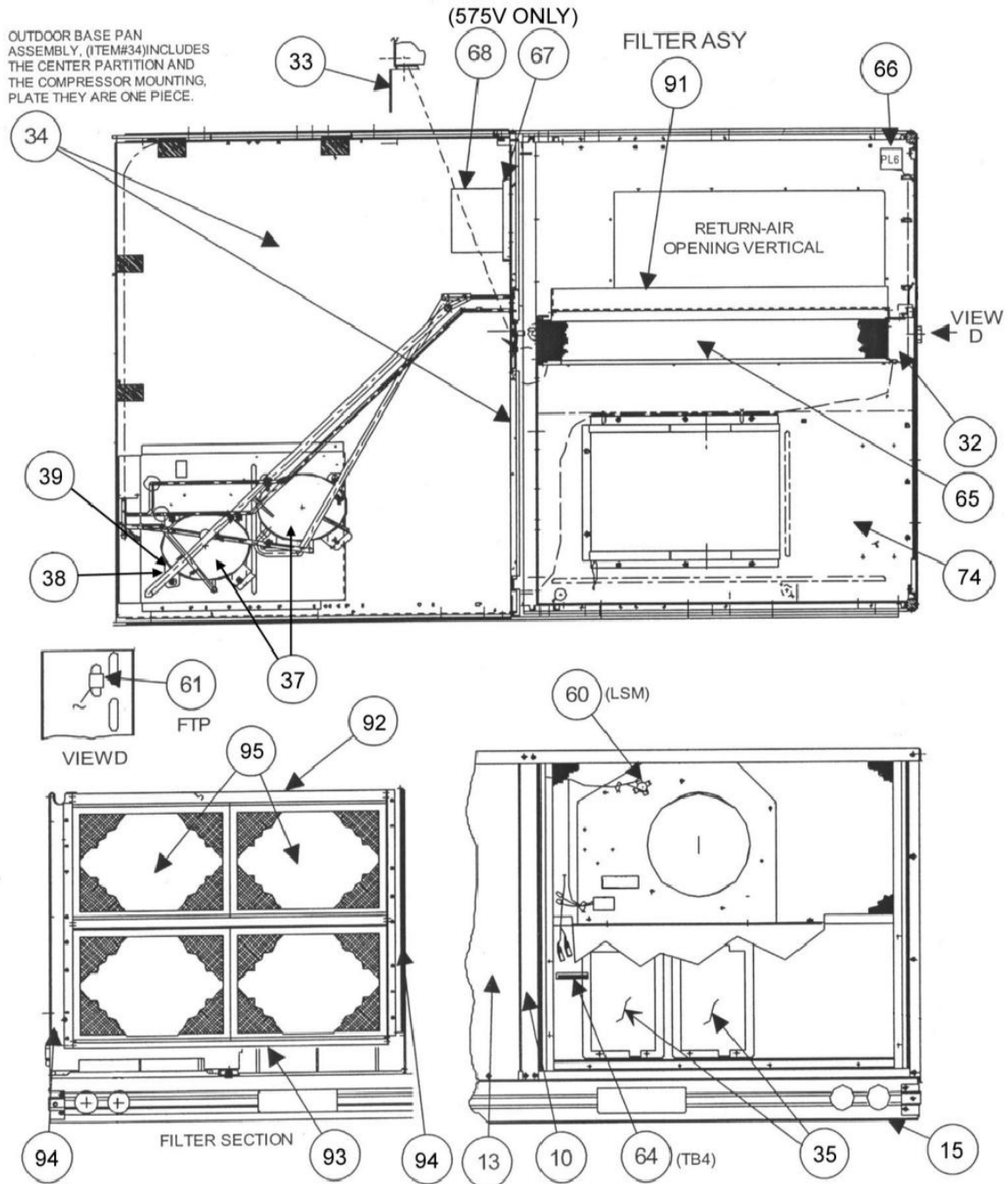


CONTROL BOX ASY. ITEM #40



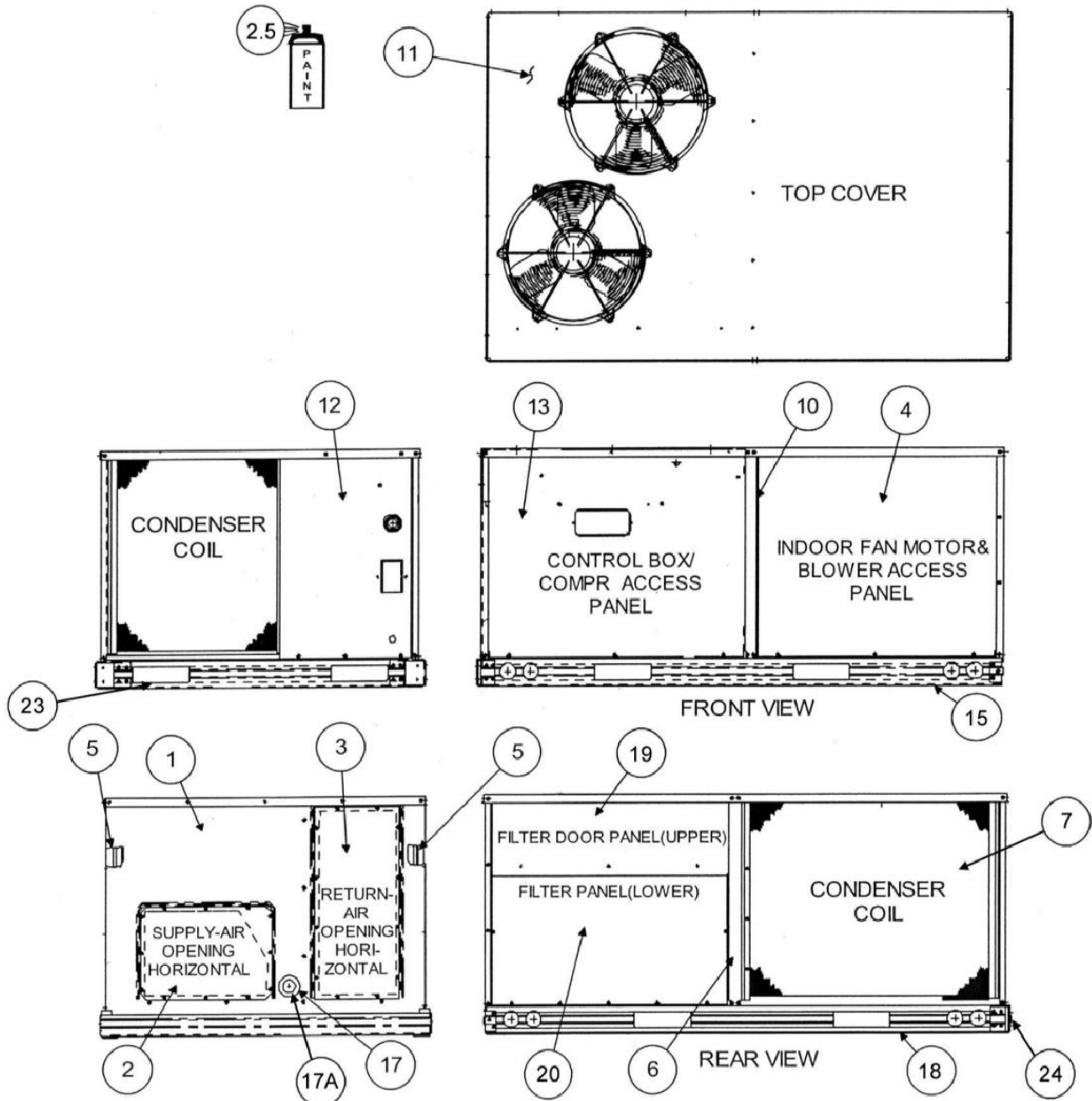
PAS090, PAS120, PAS150

NOTE: This illustration is for reference only. Your unit may differ in appearance or may not include all components shown.



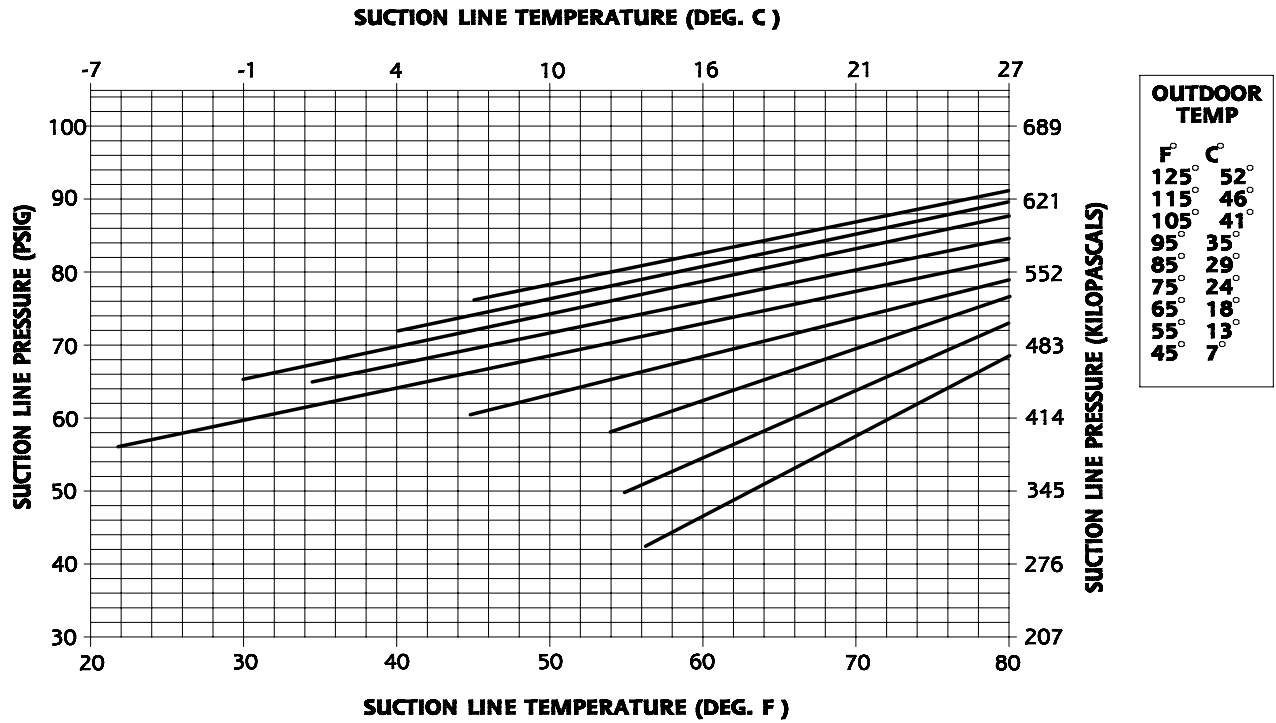
PAS090, PAS120, PAS150

NOTE: This illustration is for reference only. Your unit may differ in appearance or may not include all components shown.



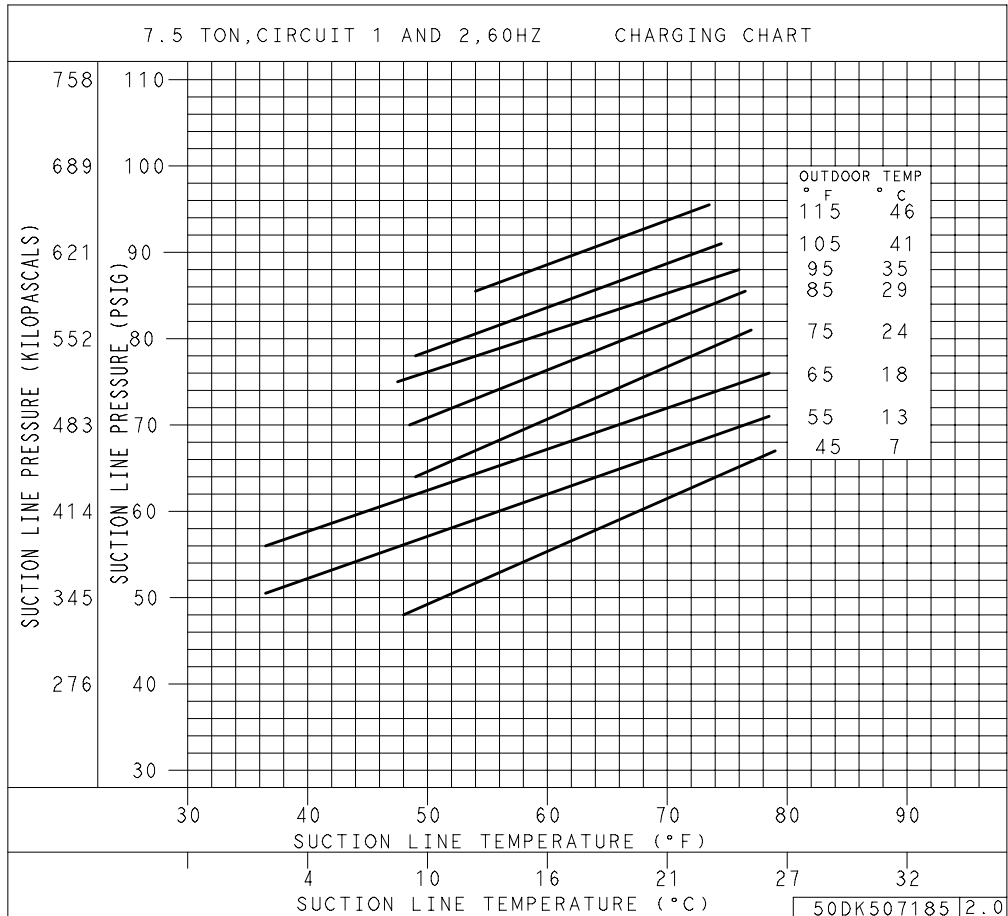
PAS072

6 TON UNIT (60 Hz) CHARGING CHART



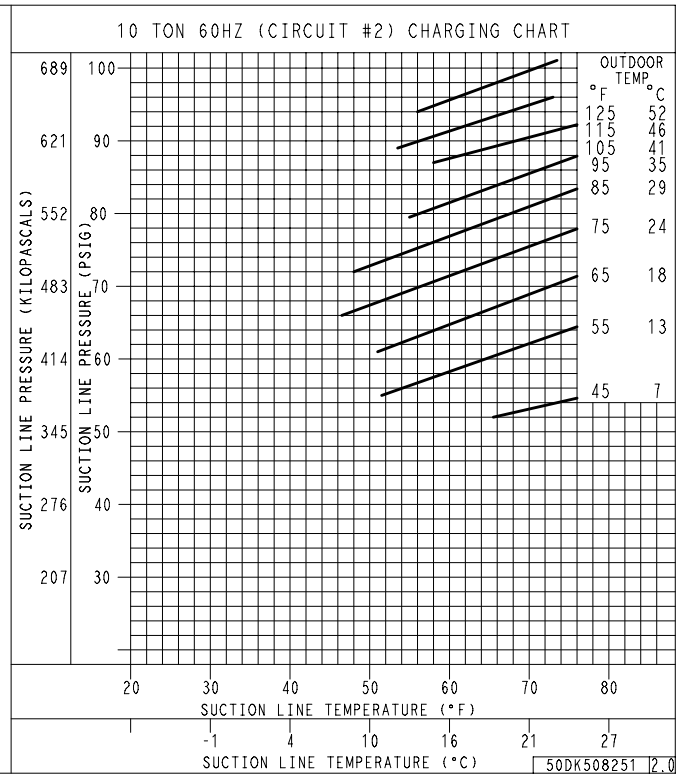
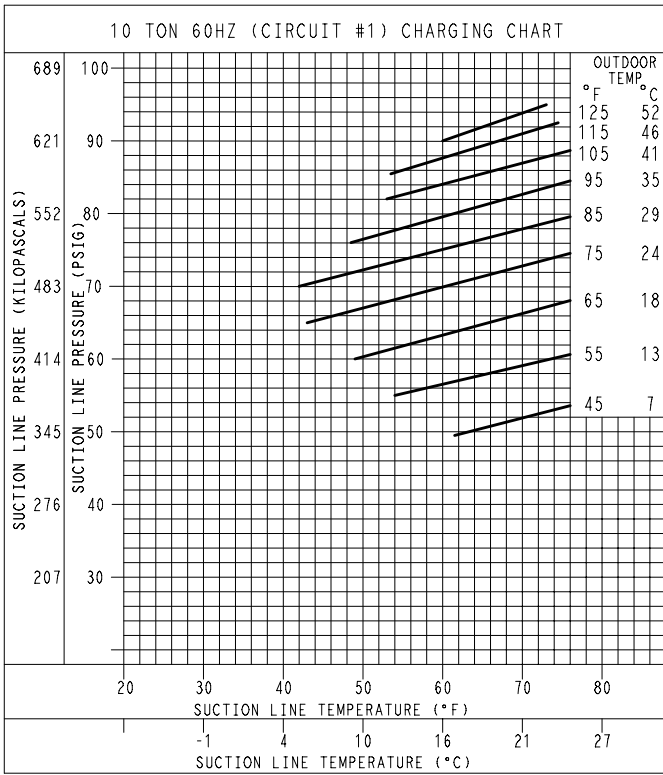
50DK508721 REV 2

PAS090

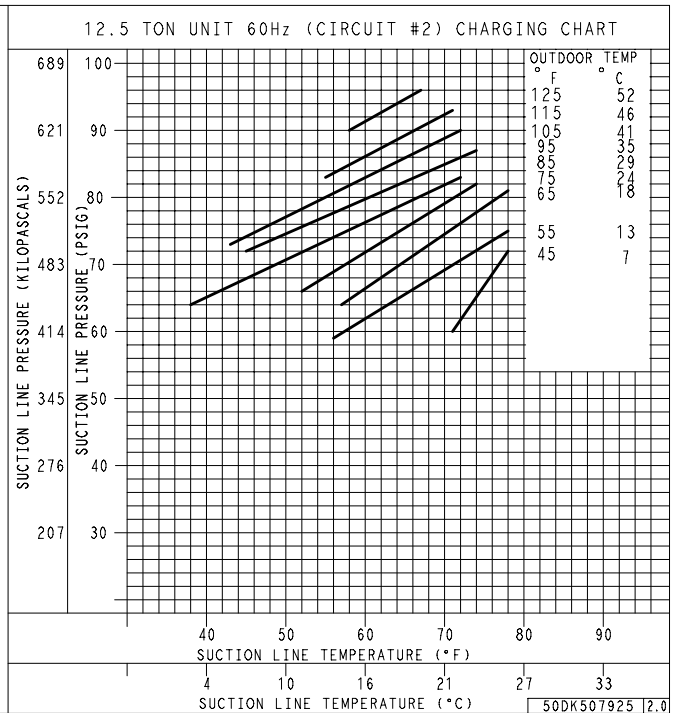
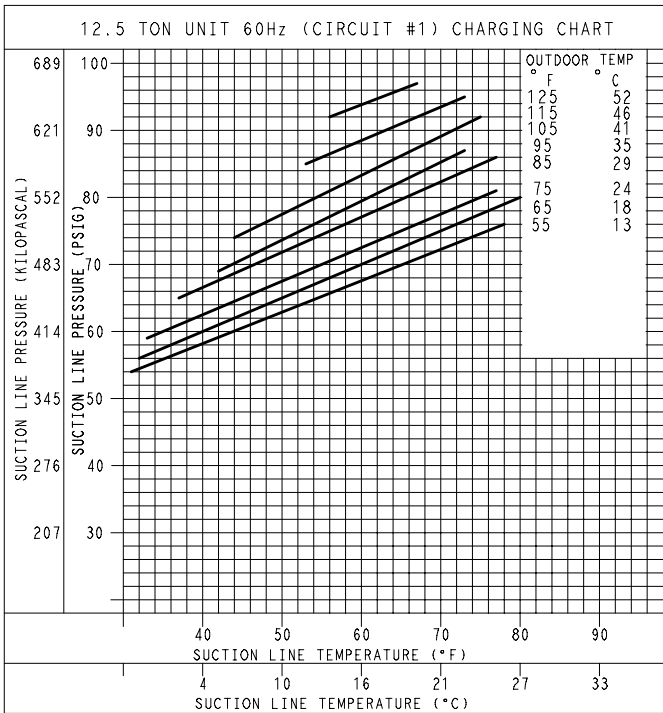


50DK507185 2.0

PAS120



PAS150



PAS072 208-230-3-60 & 460-3-60

SCHEMATIC

RELOCATE TO SINGLE POINT CONNECTION BOX WHEN USED.

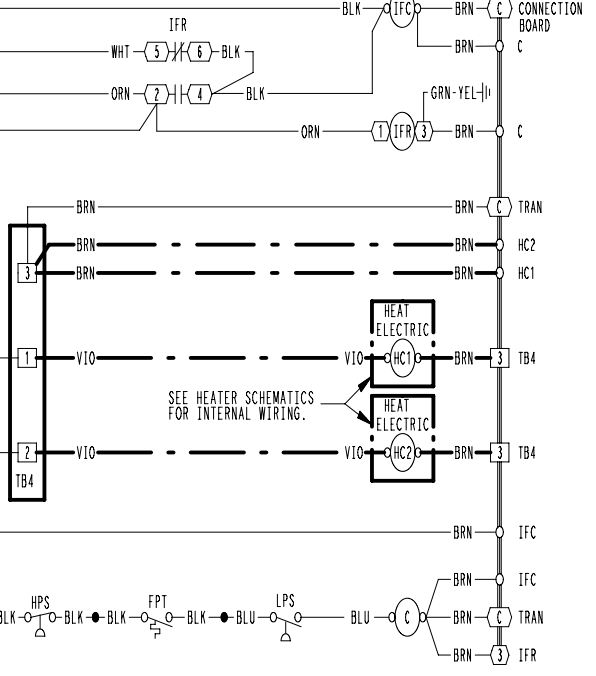
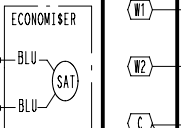
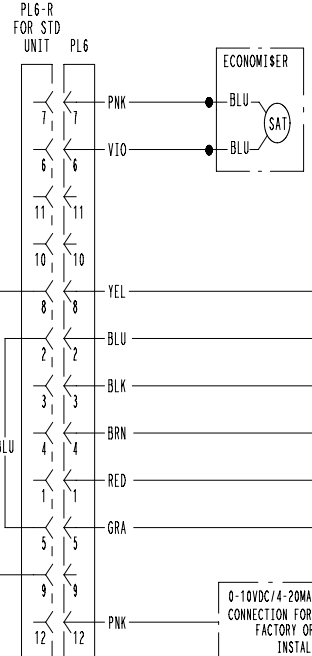
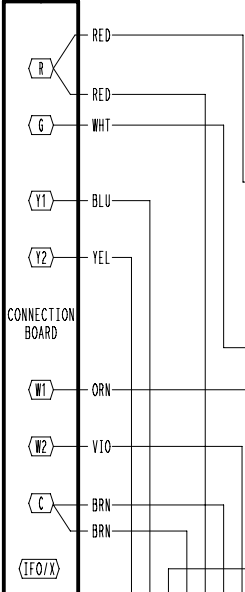
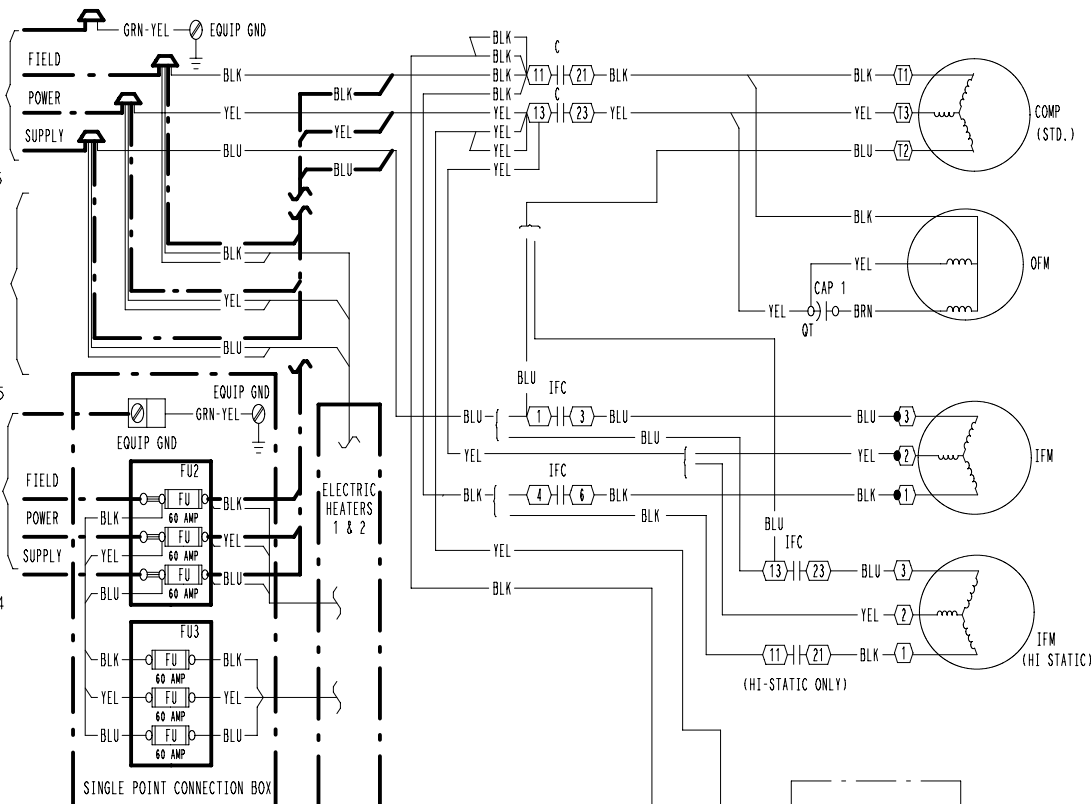
SEE NOTE#5

USED WITH ELECTRIC HEAT OPTION ONLY. FOR ALL 208/230V HEATER OPTIONS UP TO 17.0 KW. FOR ALL 460V HEATER OPTIONS.

SEE NOTE#5

USED WITH ELECTRIC HEAT OPTION ONLY. FOR ALL 208/230V HEATER OPTIONS WITH OVER 17.0 KW. MAXIMUM WIRE SIZE 2/0 AWG

SEE NOTE#4



50DK509546 4.0

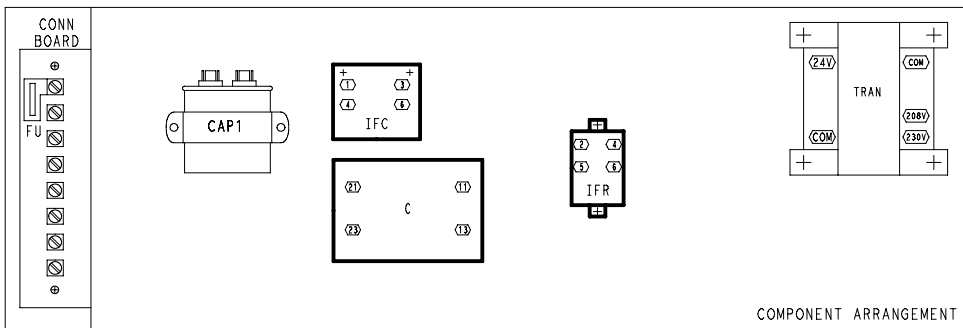
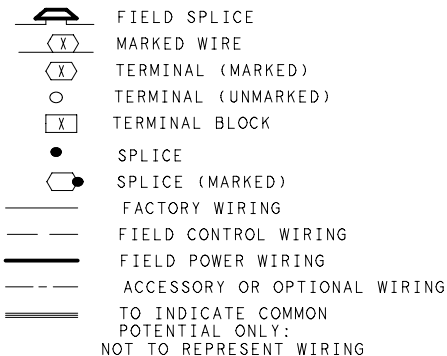


NOTES

1. IF ANY OF THE ORIGINAL WIRE FURNISHED MUST BE REPLACED. IT MUST BE REPLACED WITH TYPE 90 C WIRE OR ITS EQUIVALENT.
2. COMPRESSOR AND FAN MOTORS ARE THERMALLY PROTECTED. THREE PHASE MOTORS ARE PROTECTED AGAINST PRIMARY SINGLE PHASING CONDITIONS.
3. TRAN IS WIRED FOR 230V UNIT. IF UNIT IS TO BE RUN WITH 208V POWER SUPPLY DISCONNECT BLK WIRE FROM 230V TAP (ORN) AND CONNECT TO 208V TAP (RED). INSULATE END OF 230V WIRE.
4. USE COPPER, COPPER CLAD ALUMINUM OR ALUMINUM CONDUCTORS.
5. USE COPPER CONDUCTORS ONLY.

C	CONTACTOR, COMPRESSOR
CAP	CAPACITOR
CB	CIRCUIT BREAKER
CC	COOLING COMPENSATOR
CLO	COMPRESSOR LOCKOUT
COMP	COMPRESSOR MOTOR
FPT	FREEZE UP PROTECTION THERMOSTAT
FU	FUSE
GND	GROUND
HPS	HIGH PRESSURE SWITCH
IAQ	INDOOR AIR QUALITY SENSORS
IARH	INDOOR AIR RELATIVE HUMIDITY SEN
IFC	INDOOR FAN CONTACTOR
IFM	INDOOR FAN MOTOR
LA	LOW AMBIENT LOCKOUT
LPS	LOW PRESSURE SWITCH
LSM	LIMIT SWITCH (MANUAL RESET)
OARH	OUTDOOR AIR RELATIVE HUMIDITY SEN
OAT	OUTDOOR AIR TEMP. SEN
OFM	OUTDOOR FAN MOTOR
OLR	OVERLOAD RELAY
P	PLUG
PL	PLUG ASSEMBLY
POT	POTENTIOMETER
QT	QUADRUPLE TERMINAL
R	RELAY
RAT	RETURN AIR TEMP. SEN
SAT	SUPPLY AIR TEMP. SEN
TB	TERMINAL BLOCK
TDR	TIME DELAY RELAY
TRAN	TRANSFORMER

LEGEND

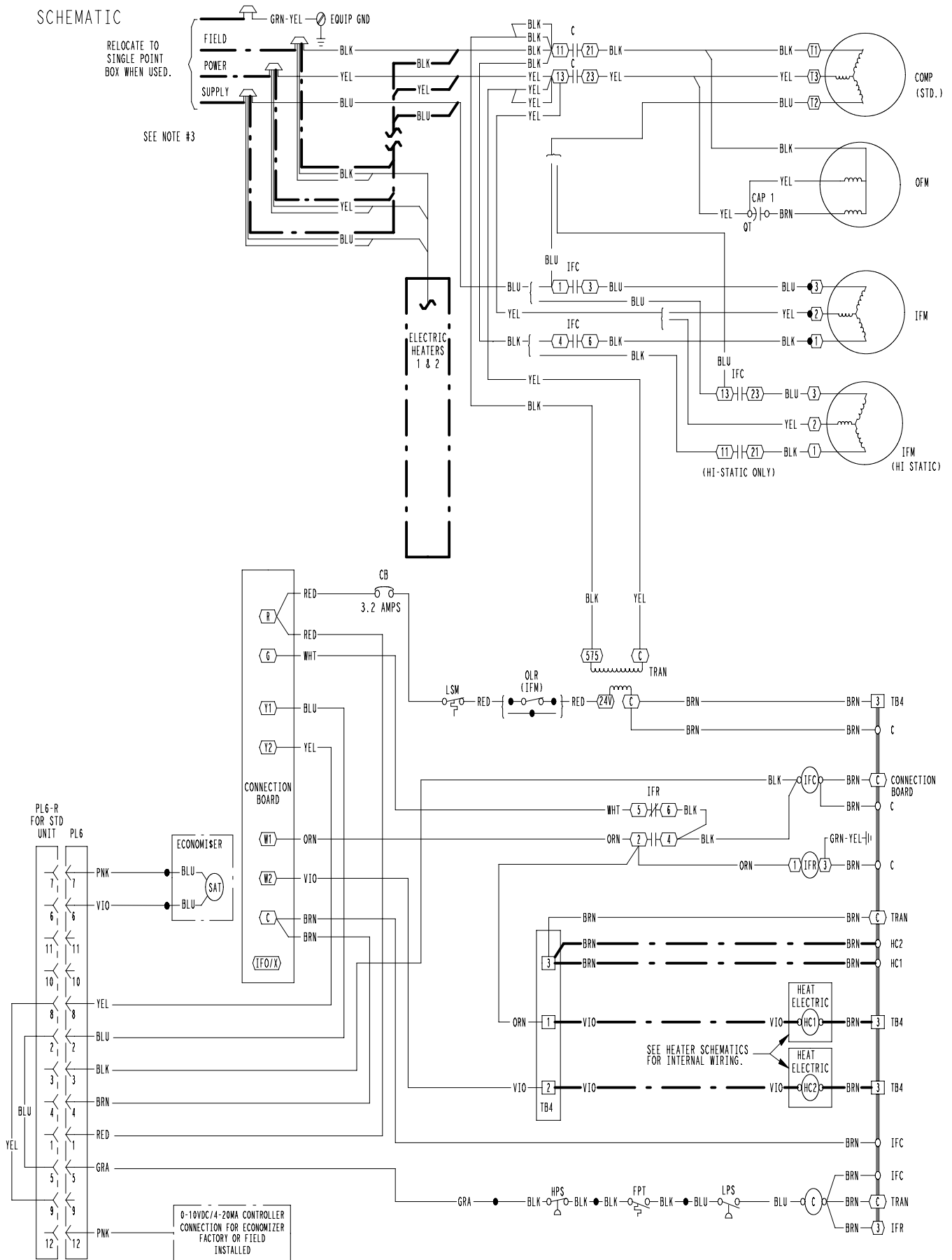


50Dh 509546 4.0

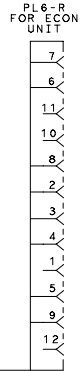
SCHEMATIC

RELOCATE TO SINGLE POINT BOX WHEN USED.

SEE NOTE #3



ECONOMIZER WIRING (FIELD CONNECTED)



VOLTAGE RATING	CB	MUST TRIP
	MFG. PT. NO.	AMPS
24V	POTTER & BRUMFIELD W28-X1075-3.2	3.2

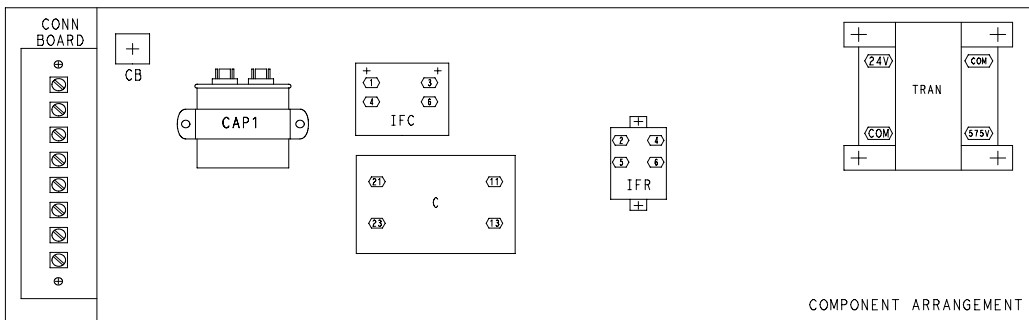
NOTES

1. IF ANY OF THE ORIGINAL WIRE FURNISHED MUST BE REPLACED. IT MUST BE REPLACED WITH TYPE 90 C WIRE OR ITS EQUIVALENT.
2. COMPRESSOR AND FAN MOTORS ARE THERMALLY PROTECTED. THREE PHASE MOTORS ARE PROTECTED AGAINST PRIMARY SINGLE PHASING CONDITIONS.
3. USE COPPER CONDUCTOR ONLY.

- C CONTACTOR, COMPRESSOR
- CAP CAPACITOR
- CB CIRCUIT BREAKER
- CC COOLING COMPENSATOR
- CLO COMPRESSOR LOCKOUT
- COMP COMPRESSOR MOTOR
- FPT FREEZE UP PROTECTION THERMOSTAT
- FU FUSE
- GND GROUND
- HPS HIGH PRESSURE SWITCH
- IAQ INDOOR AIR QUALITY SENSORS
- IARH INDOOR AIR RELATIVE HUMIDITY SEN
- IFC INDOOR FAN CONTACTOR
- IFM INDOOR FAN MOTOR
- LA LOW AMBIENT LOCKOUT
- LPS LOW PRESSURE SWITCH
- LSM LIMIT SWITCH (MANUAL RESET)
- OARH OUTDOOR AIR RELATIVE HUMIDITY SEN
- OAT OUTDOOR AIR TEMP. SEN
- OFM OUTDOOR FAN MOTOR
- OLR OVERLOAD RELAY
- P PLUG
- PL PLUG ASSEMBLY
- POT POTENTIOMETER
- QT QUADRUPLE TERMINAL
- R RELAY
- RAT RETURN AIR TEMP. SEN
- SAT SUPPLY AIR TEMP. SEN
- TB TERMINAL BLOCK
- TDR TIME DELAY RELAY
- TRAN TRANSFORMER

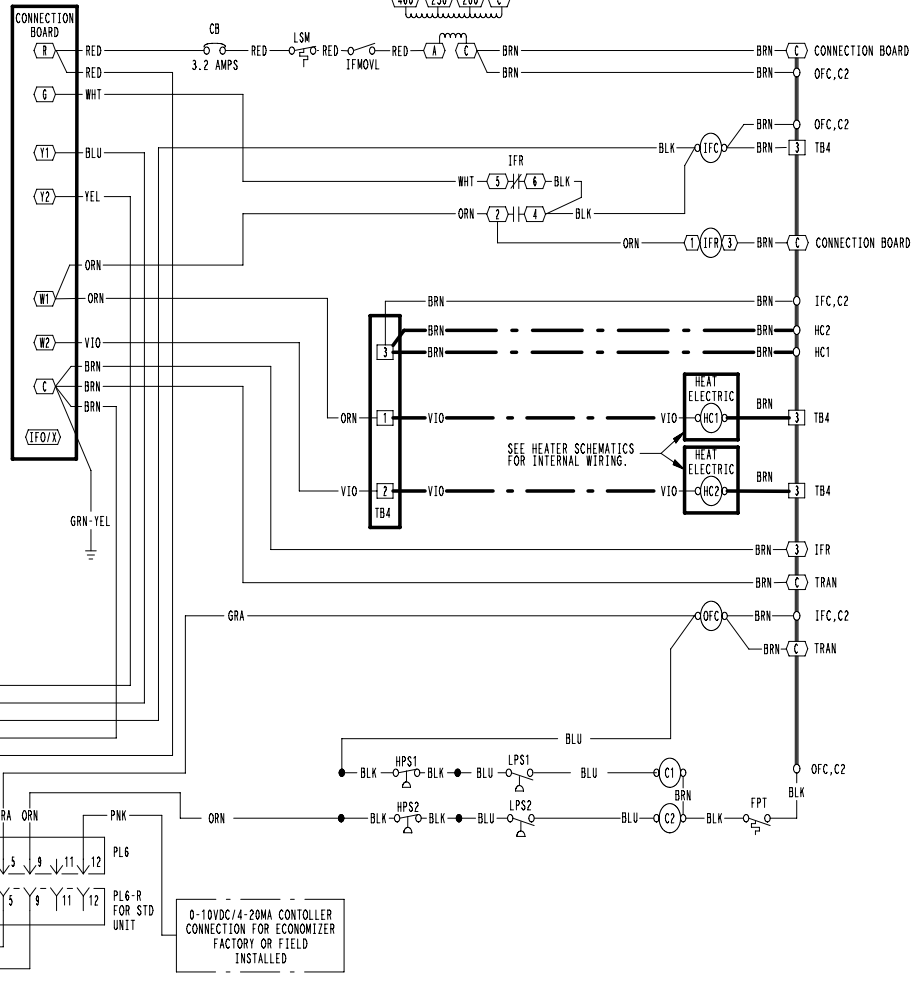
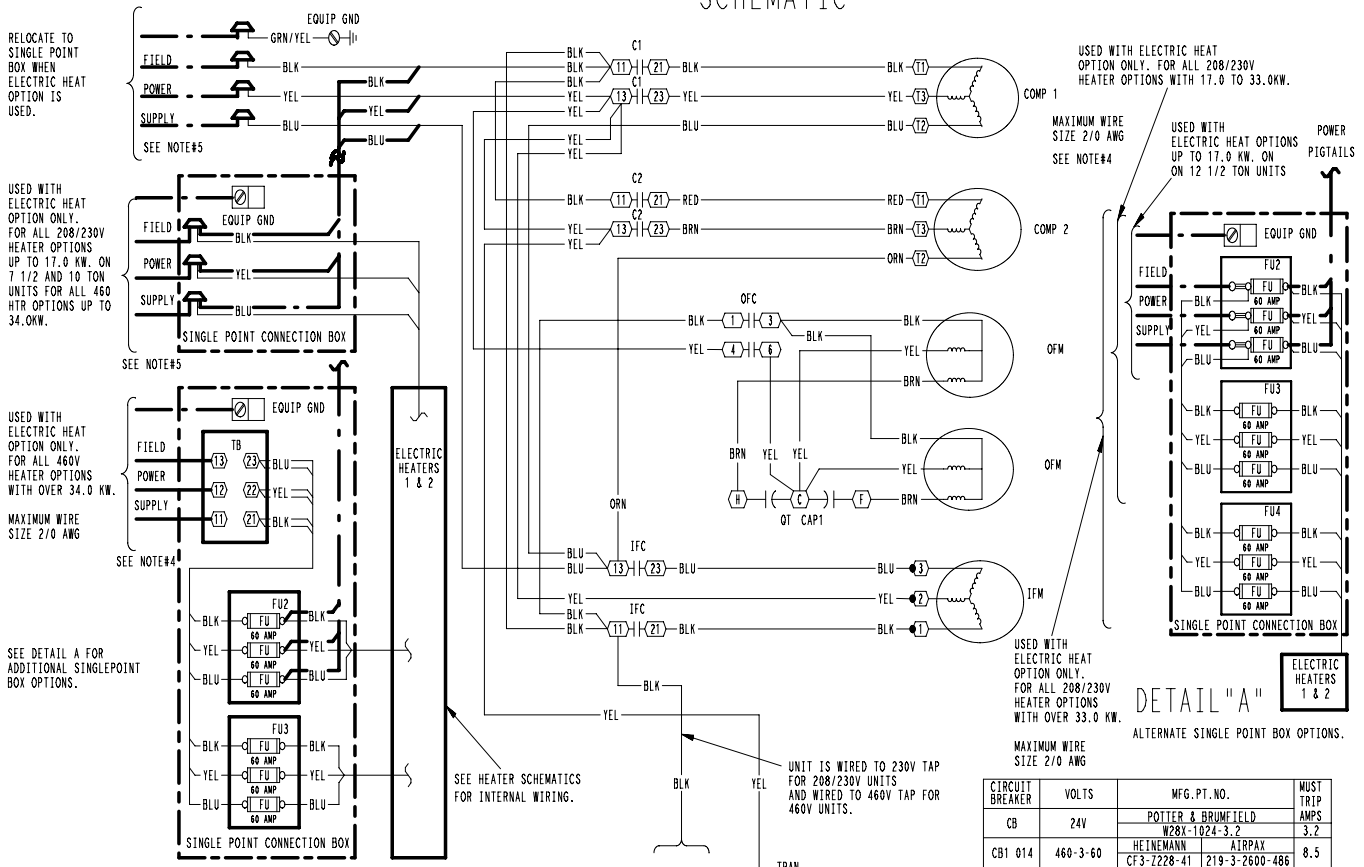
LEGEND

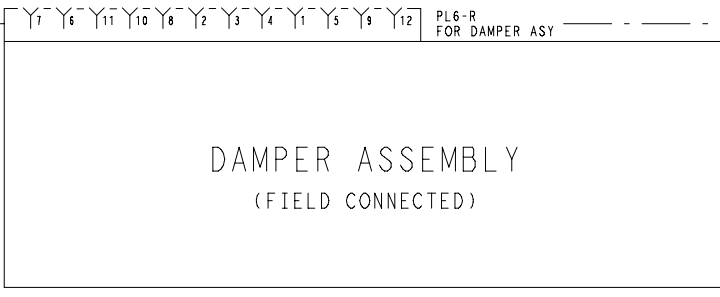
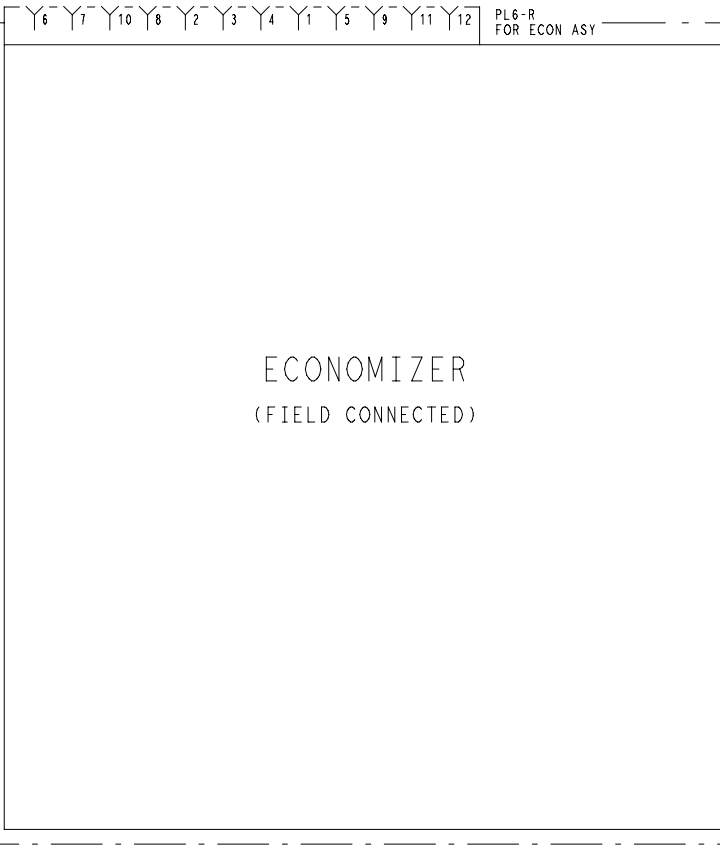
- FIELD SPLICE
- MARKED WIRE
- TERMINAL (MARKED)
- TERMINAL (UNMARKED)
- TERMINAL BLOCK
- SPLICE
- SPLICE (MARKED)
- FACTORY WIRING
- FIELD CONTROL WIRING
- FIELD POWER WIRING
- ACCESSORY OR OPTIONAL WIRING
- TO INDICATE COMMON POTENTIAL ONLY:
NOT TO REPRESENT WIRING



50DK509547 3.0

SCHMATIC





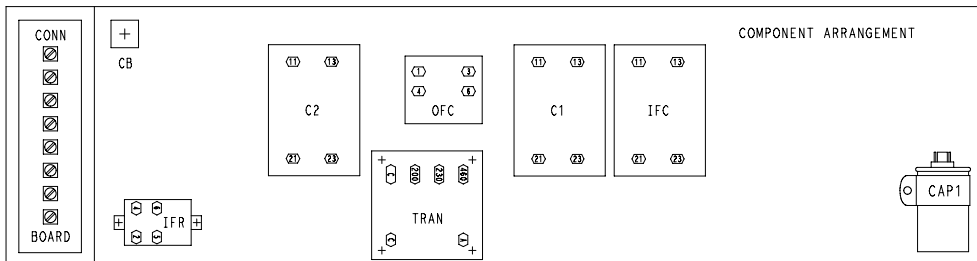
NOTES

1. IF ANY OF THE ORIGINAL WIRE FURNISHED MUST BE REPLACED, IT MUST BE REPLACED WITH TYPE 90 C WIRE OR ITS EQUIVALENT.
2. COMPRESSOR AND FAN MOTORS ARE THERMALLY PROTECTED. THREE PHASE MOTORS ARE PROTECTED AGAINST PRIMARY SINGLE PHASING CONDITIONS.
3. TRAN IS WIRED FOR 230V UNIT. IF UNIT IS TO BE RUN WITH 208V POWER SUPPLY DISCONNECT BLK WIRE FROM 230V TAP (ORN) AND CONNECT TO 208V TAP (RED). INSULATE END OF 230V TAP.
4. USE COPPER, COPPER CLAD ALUMINUM OR ALUMINUM CONDUCTORS.
5. USE COPPER CONDUCTORS ONLY.

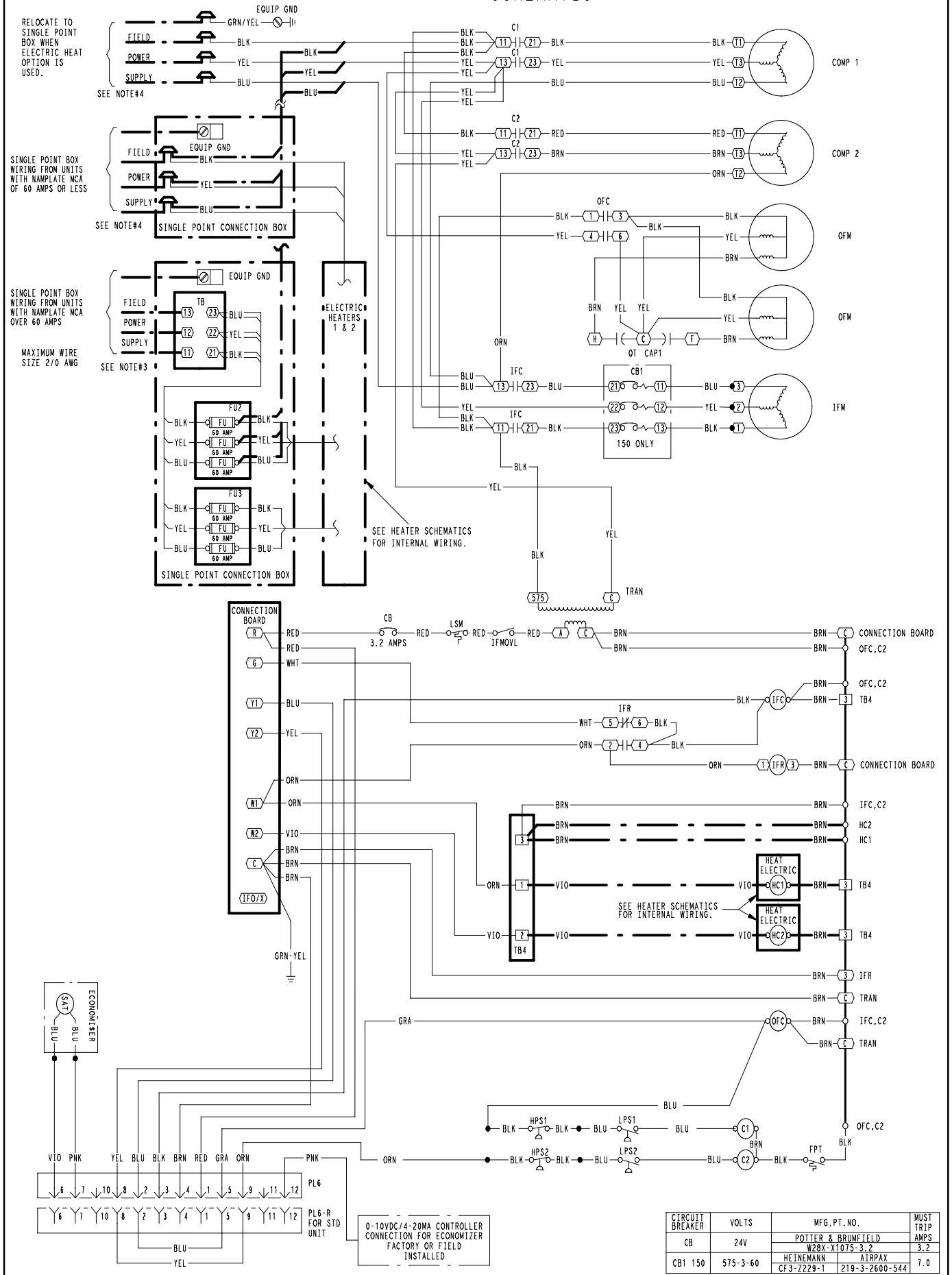
- AHA ADJUSTABLE HEAT ANTICIPATOR
- C CONTACTOR, COMPRESSOR
- CAP CAPACITOR
- CB CIRCUIT BREAKER
- CC COOLING COMPENSATOR
- COMP COMPRESSOR MOTOR
- FPT FREEZE UP PROTECTION THERMOSTAT
- FU FUSE
- GND GROUND
- HC HEATER CONTACTOR (STRIP HEAT)
- HPS HIGH PRESSURE SWITCH
- IFC INDOOR FAN CONTACTOR
- IFM INDOOR FAN MOTOR
- IFMOVL INDOOR FAN MOTOR OVERLOAD
- IFR INDOOR FAN RELAY
- LPS LOW PRESSURE SWITCH
- LSM LIMIT SWITCH (MANUAL RESET)
- MTR MOTOR
- OAT OUTDOOR AIR THERMOSTAT
- OFM OUTDOOR FAN MOTOR
- P PLUG
- PL PLUG ASSEMBLY
- QT QUADRUPLE TERMINAL
- R RELAY
- SAT SUPPLY AIR THERMOSTAT
- SEN SENSOR
- TB TERMINAL BLOCK
- TC THERMOSTAT-COOLING
- TH THERMOSTAT-HEATING
- TRAN TRANSFORMER

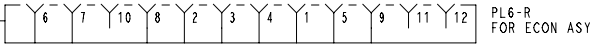
LEGEND

- FIELD SPlice
- MARKED WIRE
- TERMINAL (MARKED)
- TERMINAL (UNMARKED)
- TERMINAL BLOCK
- SPLICE
- SPLICE (MARKED)
- FACTORY WIRING
- FIELD CONTROL WIRING
- FIELD POWER WIRING
- ACCESSORY OR OPTIONAL WIRING
- TO INDICATE COMMON POTENTIAL ONLY:
- NOT TO REPRESENT WIRING



50DK509342 3.0



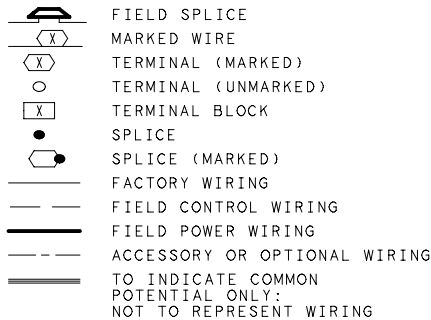


ECONOMIZER WIRING (FIELD CONNECTED)

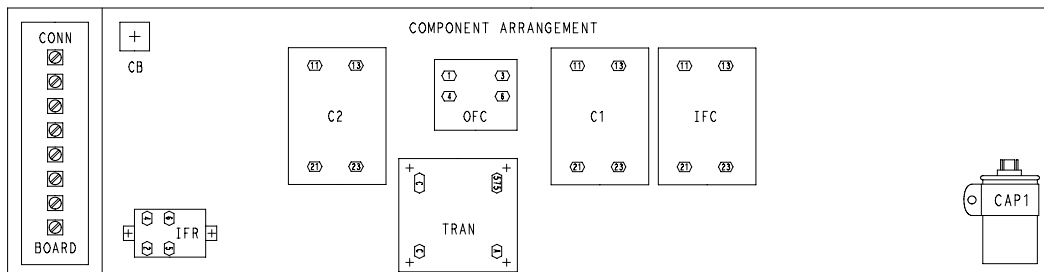
NOTES

1. IF ANY OF THE ORIGINAL WIRE FURNISHED MUST BE REPLACED. IT MUST BE REPLACED WITH TYPE 90 C WIRE OR ITS EQUIVALENT.
2. COMPRESSOR AND FAN MOTORS ARE THERMALLY PROTECTED. THREE PHASE MOTORS ARE PROTECTED AGAINST PRIMARY SINGLE PHASING CONDITIONS.
3. USE COPPER, COPPER CLAD, ALUMINUM OR ALUMINUM CONNECTORS.
4. USE COPPER CONDUCTOR ONLY.

LEGEND



- C CONTACTOR, COMPRESSOR
- CB CIRCUIT BREAKER
- CH CRANKCASE HEATER
- CLO COMPRESSOR LOCKOUT
- COMP COMPRESSOR MOTOR
- EQUIP EQUIPMENT
- FPT FREEZE UP PROTECTION THERMOSTAT
- GND GROUND
- HPS HIGH PRESSURE SWITCH
- HS HALL EFFECT SEN.
- I IGNITOR
- IAO INDOOR AIR QUALITY SEN.
- IARH INDOOR AIR RELATIVE HUMIDITY SEN.
- IDM INDUCED DRAFT MOTOR
- IFC INDOOR FAN CONTACTOR
- IFM INDOOR FAN MOTOR
- IFMOVL INDOOR FAN MOTOR OVERLOAD SWITCH
- IGC INTEGRATED GAS UNIT CONTROLLER
- LPS LOW PRESSURE SWITCH
- LS LIMIT SWITCH
- MGV MAIN GAS VALVE
- MTR MOTOR
- OARH OUTDOOR AIR RELATIVE HUMIDITY SEN.
- OAT OUTDOOR AIR TEMP. SEN.
- OFC OUTDOOR FAN CONTACTOR
- OFM OUTDOOR FAN MOTOR
- P PLUG
- PL PLUG ASSEMBLY
- POT POTENTIOMETER
- QT QUADRUPLE TERMINAL
- RAT RETURN AIR TEMP. SEN.
- RS ROLLOUT SWITCH
- SAT SUPPLY AIR TEMP. SEN.
- SEN SENSOR
- TRAN TRANSFORMER



50DK509514 6.0