

Parts List, Charging Chart, Wiring Diagram

**PAD3 30 – 60A SERIES
3 Phase**

**R-410A PACKAGE AIR CONDITIONER
UNITS**



TABLE OF CONTENTS

PARTS LIST	2-8
PARTS DRAWING	9-19
CHARGING CHART	20
WIRING DIAGRAM	21-22

PAD3 30 - 60 208 / 230V PARTS LIST

KEY NO.	DESCRIPTION	FAST PARTS NO.					
			PAD330000H00A1	PAD336000H00A1	PAD342000H00A1	PAD348000H00A1	PAD360000H00A1
1	COMP ZP24K5E-TF5-130	ZP24K5ETF5130	1	*	*	*	*
1	COMP ZP29K5E-TF5-130	1176858	*	1	*	*	*
1	COMP ZP36K5E-TF5-130	ZP36K5ETF5130	*	*	1	*	*
1	COMP ZP42K5E-TF5-130	1176862	*	*	*	1	*
1	COMP ZP51K5E-TF5-130	ZP51K5ETF5130	*	*	*	*	1
2	COIL ASY OUTDOOR 30 AL LF	1176847	1	*	*	*	*
2	COIL ASY OUTDOOR 36 AL LF	1176849	*	1	*	*	*
2	COIL ASY OUTDOOR 42 AL LF	1176851	*	*	1	*	*
2	COIL ASY OUTDOOR 48 AL LF	1176853	*	*	*	1	*
2	COIL ASY OUTDOOR 60 AL LF	1176855	*	*	*	*	1
3	COIL ASY OUTDOOR 30 AL RT	1176848	1	*	*	*	*
3	COIL ASY OUTDOOR 36 AL RT	1176850	*	1	*	*	*
3	COIL ASY OUTDOOR 42 AL RT	1176852	*	*	1	*	*
3	COIL ASY OUTDOOR 48 AL RT	1176854	*	*	*	1	*
3	COIL ASY OUTDOOR 60 AL RT	1176856	*	*	*	*	1
4	COIL ASY INDOOR 30	1176842	1	*	*	*	*
4	COIL ASY INDOOR 36	1176843	*	1	*	*	*
4	COIL ASY INDOOR 42	1176844	*	*	1	*	*
4	COIL ASY INDOOR 48	1176845	*	*	*	1	*
4	COIL ASY INDOOR 60	1176846	*	*	*	*	1
5	MOTOR BLW 1/2,1075,230V 1 PH	1176037	*	1	*	*	*
5	MOTOR BLW 1/3,1050,230V 1 PH	1175967	1	*	*	*	*
5	MTR BLW 1,1040/3SP,230V 1PH	1176130	*	*	*	*	1
5	MTR BLW 1/2,1075,230V 1PH	1176037	*	*	1	1	*
6	MTR CND 1/230 1/4 825	1171335	*	*	*	1	1
6	MTR CND 1/230 1/8 825	1175625	*	1	*	*	*
6	MTR CND 1/230 1/8 825	1175625	*	*	1	*	*
6	MTR CND 1/230 1/8 825/1	1173699	1	*	*	*	*
7	FAN C 22" 3B 1/2" 18 INT	1176866	1	*	*	*	*
7	FAN C 22" 3B 1/2" 28 INT	1171219	*	1	1	1	1
8	CAP RN OV 370V 10 AERO	1171807	*	*	*	1	1
8	CAP RN OV 370V 5	1172149	1	1	1	*	*
10	CONTACTOR 2P 20A 24V	1171160	1	1	1	*	*
10	CONTACTOR 2P 25A 24V	1174905	*	*	*	1	1
11	CAP RN OV 370V 15	1172505	1	1	1	1	*
11	CAP RN OV 370V 20 MFD	1176131	*	*	*	*	1
12	RELAY 24V SPDT R8222B1232	1176137	1	1	1	1	1
13	TRANS 208/230>24 40VA	1173691	1	1	1	1	1
14	WHEEL BLW 11X10 CW	1176057	*	*	1	1	1
14	WHEEL DD 10X10 CW	1175970	1	1	*	*	*
15	CIRCUIT BREAKER	1171114	1	1	1	1	1
16	DISTRIBUTOR 4 CIRCUIT	1174359	1	1	*	*	*
16	DISTRIBUTOR 6 CKT	1175220	*	*	1	1	*
16	DISTRIBUTOR 8 CKT	1174244	*	*	*	*	1

PAD3 30 - 60 208 / 230V PARTS LIST (continued)

KEY NO.	DESCRIPTION	FAST PARTS NO.	PAD330000H00A1	PAD336000H00A1	PAD342000H00A1	PAD348000H00A1	PAD360000H00A1
20	PRESSURE SWITCH	1174412	1	1	1	1	1
32	MOUNTING KIT BLW MTR (24-36)	1175958	1	1	*	*	*
32	MOUNTING KIT BLW MTR (42-60)	1176088	*	*	1	1	1
37	PLUG ASY COMP	1175960	1	1	1	1	1
38	HTR CC WP 40W 240V TCH196	1176105	*	*	*	1	1
38	HTR CC WP 40W 240V TCH268	1176161	*	1	*	*	*
39	VALVE TXV 3.0 TON R410A	1176868	1	*	*	*	*
39	VALVE TXV 3.0 TON R410A	1176869	*	1	*	*	*
39	VALVE TXV 4.0 TON R410A	1176870	*	*	1	1	*
39	VALVE TXV 5.0 TON R410A	1176871	*	*	*	*	1
40	SWITCH PRESS HI O650 C420	1174407	1	1	1	1	1
41	DRIER LIQ 08 CU IN 3/8 SWEAT	1173679	1	1	1	1	1
AE	SCROLL	1176074	*	*	1	1	1
AE	SCROLL FAN	1176010	1	1	*	*	*
AF	PLATE ASY FAN	1176011	1	1	*	*	*
AF	PLATE ASY FAN SIDE	1176075	*	*	1	1	1
AH	PLATE FAN	1176012	1	1	*	*	*
AH	PLATE FAN BOTTOM	1176077	*	*	1	1	1
AJ	CLAMP CAPACITOR OV	1171552	2	2	2	2	1
AJ	CLAMP CAPACITOR OV	1176134	*	*	*	*	1
AK	GRILLE ASY 14"	1176079	1	*	*	*	*
AK	GRILLE ASY 16 "	1176173	*	*	1	1	*
AK	GRILLE ASY 16"	1176017	*	1	*	*	*
AK	GRILLE ASY 20"	1176106	*	*	*	*	1
AL	GRILLE ASY 14"	1176163	1	*	*	*	*
AL	GRILLE ASY 16"	1176017	*	*	2	2	*
AL	GRILLE ASY 16"	1176018	*	1	*	*	*
AL	GRILLE ASY 20"	1176107	*	*	*	*	2
AM	GRILLE ASY 14"	1176164	1	*	*	*	*
AM	GRILLE ASY 16"	1176019	*	1	*	*	*
AM	GRILLE ASY 16"	1176174	*	*	1	1	*
AM	GRILLE ASY 20"	1176108	*	*	*	*	1
AN	GRILLE ASY 14"	1176165	1	*	*	*	*
AN	GRILLE ASY 16"	1176020	*	1	*	*	*
AP	PANEL CORNER 14"	1176022	3	*	*	*	*
AP	PANEL CORNER 16"	1176045	*	3	2	2	*
AP	PANEL CORNER 20" COND	1176109	*	*	*	*	2
AQ	BRACKET SUPPORT	1176023	4	4	4	4	*
AQ	BRACKET SUPPORT 16"	1176110	*	*	*	*	4
AR	PANEL CORNER 14" HEADER	1176025	1	*	*	*	*
AR	PANEL CORNER 16" HEADER	1176046	*	1	*	*	*
AR	PANEL CORNER 20" HEADER	1176111	*	*	*	*	1
AR	PANEL CRN 16" HDR	1176046	*	*	1	1	*
AS	PARTION COIL EVAP	1176026	1	1	*	*	*

PAD3 30 - 60 208 / 230V PARTS LIST (continued)

KEY NO.	DESCRIPTION	FAST PARTS NO.	PAD330000H00A1	PAD336000H00A1	PAD342000H00A1	PAD348000H00A1	PAD360000H00A1
AS	PARTITION COIL EVAP	1176081	*	*	1	*	*
AS	PARTITION COIL EVAP	1176112	*	*	*	1	1
AZ	BARRIER 24V	1176144	1	1	*	*	*
AZ	BARRIER 24V 42-60	1176148	*	*	1	1	1
BA	PANEL CORNER 16" HEADER	1176734	*	*	1	1	*
BA	PANEL CORNER 20" HEADER	1176113	*	*	*	*	1
BB	SUPPORT BLOWER	1176085	*	*	1	1	1
BC	PARTION COIL EVAP	1176783	1	1	*	*	*
BC	PARTITION COIL SUPPLY	1176084	*	*	1	1	1
BD	SUPPORT BLOWER	1176784	1	1	1	1	1
BE	SHEILD BASE PAN	1176086	*	*	1	1	1
BE	SHIELD BASEPAN	1176794	1	1	*	*	*
BF	INSULATION RETURN DUCT PANEL	1176087	*	*	1	1	1
BF	INSULATION RETURN DUCT PANEL	1176151	1	1	*	*	*
BG	COMPRESSOR MTG BOLT	1176731	4	4	4	4	4
BH	INSULATION COIL PARTITION	1176152	1	1	*	*	*
BH	INSULATION COIL PARTITION	1176153	*	*	1	1	1
BJ	INSULATION COIL PARTITION	1176785	1	1	*	*	*
BJ	INSULATION COIL PARTITION	1176786	*	*	1	1	1
BK	GROMMET	1176613	2	2	2	2	2
BL	PARTITION COIL EVAP	1176114	*	*	*	1	1
A	RACEWAY	1171428	1	1	1	1	1
B	INSULATION ASY TOP EVAP	1175988	1	1	*	*	*
B	INSULATION ASY TOP EVAP	1176083	*	*	1	1	1
C	BASE PAN ASY	1175989	1	1	*	*	*
C	BASE PAN ASY	1176061	*	*	1	1	1
D	COVER ASY DUCT	1175990	2	2	2	2	2
E	TOP CONDENSER	1175991	1	1	*	*	*
E	TOP CONDENSER	1176063	*	*	1	1	1
F	PARTITION COIL	1175992	1	1	*	*	*
F	PARTITION COIL RETURN	1176064	*	*	1	1	1
G	PARTITION FAN	1175993	1	1	*	*	*
G	PARTITION FAN	1176065	*	*	1	1	1
H	PANEL REAR DUCT	1175994	1	1	*	*	*
H	PANEL REAR DUCT	1176066	*	*	1	1	1
J	PANEL COMP SIDE	1175995	1	1	*	*	*
J	PANEL COMP SIDE	1176067	*	*	1	1	1
K	PANEL ACCESS	1175996	1	1	*	*	*
K	PANEL ACCESS	1176068	*	*	1	1	1
L	INSULATION ACCESS PANEL	1175997	1	1	*	*	*
L	INSULATION ACCESS PANEL	1176069	*	*	1	1	1
M	INSULATION COMP PANEL	1176070	*	*	1	1	1
M	INSULATION PANEL COMP	1175998	1	1	*	*	*
N	GRILLE OUTLET	1171267	1	1	1	1	1

PAD3 30 - 60 208 / 230V PARTS LIST (continued)

KEY NO.	DESCRIPTION	FAST PARTS NO.	PAD330000H00A1	PAD336000H00A1	PAD342000H00A1	PAD348000H00A1	PAD360000H00A1
P	GROMMET COMPRESSOR 1.62"DIA	1171270	4	4	4	4	4
R	COVER HEATER OPENING	1176139	1	1	1	1	1
S	INSULATION CONTROL PLATE	1176140	1	1	1	1	1
X	PANEL SIDE POWER SUPPLY	1176141	1	1	*	*	*
X	PANEL SIDE POWER SUPPLY	1176145	*	*	1	1	1
Y	INSULATION PANEL SIDE	1176142	1	1	*	*	*
Y	INSULATION PANEL SIDE	1176146	*	*	1	1	1
Z	PLATE CONTROL	1176143	1	1	1	1	1
PARTS NOT SHOWN							
(HARNESS ASY	1176136	1	1	1	1	1

PAD3 36 - 60 460V PARTS LIST

KEY NO.	DESCRIPTION	FAST PARTS NO.	PAD336000L00A1	PAD342000L00A1	PAD348000L00A1	PAD360000L00A1
1	COMP ZP29K5E-TFD-130	1176859	1	*	*	*
1	COMP ZP36K5E-TFD-130	1176861	*	1	*	*
1	COMP ZP42K5E-TFD-130	1176863	*	*	1	*
1	COMP ZP51K5E-TFD-130	1176865	*	*	*	1
2	COIL ASY OUTDOOR 36 AL LF	1176849	1	*	*	*
2	COIL ASY OUTDOOR 42 AL LF	1176851	*	1	*	*
2	COIL ASY OUTDOOR 48 AL LF	1176853	*	*	1	*
2	COIL ASY OUTDOOR 60 AL LF	1176855	*	*	*	1
3	COIL ASY OUTDOOR 30 AL RT	1176850	1	*	*	*
3	COIL ASY OUTDOOR 42 AL RT	1176852	*	1	*	*
3	COIL ASY OUTDOOR 48 AL RT	1176854	*	*	1	*
3	COIL ASY OUTDOOR 60 AL RT	1176856	*	*	*	1
4	COIL ASY INDOOR 36	1176843	1	*	*	*
4	COIL ASY INDOOR 42	1176844	*	1	*	*
4	COIL ASY INDOOR 48	1176845	*	*	1	*
4	COIL ASY INDOOR 60	1176846	*	*	*	1
5	MTR BLW 1/2,1075,460V 1 PH	1176049	1	*	*	*
5	MTR BLW 1/460 1 3SP/1040	1176135	*	*	*	1
5	MTR BLW 1/460 1/2 1075	1176049	*	1	1	*
6	MTR CND 1/460 1/4 1100	1171334	*	*	*	1
6	MTR CND 1/460 1/4 1100	1175525	*	*	1	*
6	MTR COND 1/8,825,460V 1 PH	1176050	1	1	*	*
7	FAN C 22" 3B 1/2" 28 INT	1171219	1	1	1	1
8	CAP RN OV 370V 5	1172149	1	1	1	*
8	CAP RN OV 370V 7.5	1171728	*	*	*	1
10	CONTACTOR 2P 20A 24V	1171160	1	1	*	*
10	CONTACTOR 2P 25A 24V	1174905	*	*	1	1
11	CAP RN OV 370V 15 MFD	1172505	1	1	1	*
11	CAP RN OV 370V 20 MFD	1176131	*	*	*	1
12	RELAY 24V SPDT R8222B1232	1176137	1	1	1	1
13	TRANS 460>24 40VA	1175310	1	1	1	1
14	WHEEL BLW 11X10 CW	1176057	*	1	1	1
14	WHEEL DD 10X10 CW	1175970	1	*	*	*
15	CIRCUIT BREAKER	1171114	1	1	1	1
16	DISTRIBUTOR 4 CIRCUIT	1174359	1	*	*	*
16	DISTRIBUTOR 6 CKT	1175220	*	1	1	*
16	DISTRIBUTOR 8 CKT	1174244	*	*	*	1
20	PRESSURE SWITCH	1174412	1	1	1	1
32	MOUNTING KIT BLW MTR (24-36)	1175958	1	*	*	*
32	MOUNTING KIT BLW MTR (42-60)	1176088	*	1	1	1
37	PLUG ASY COMP	1175960	1	1	1	1
38	HTR CC WP 40W 460V TCH196-7	1176125	*	*	1	1
38	HTR CC WP 40W 480V TCH268-3	1176867	1	*	*	*
39	VALVE TXV 3.0 TON R410A	1176869	1	*	*	*

PAD3 36 - 60 460V PARTS LIST (continued)

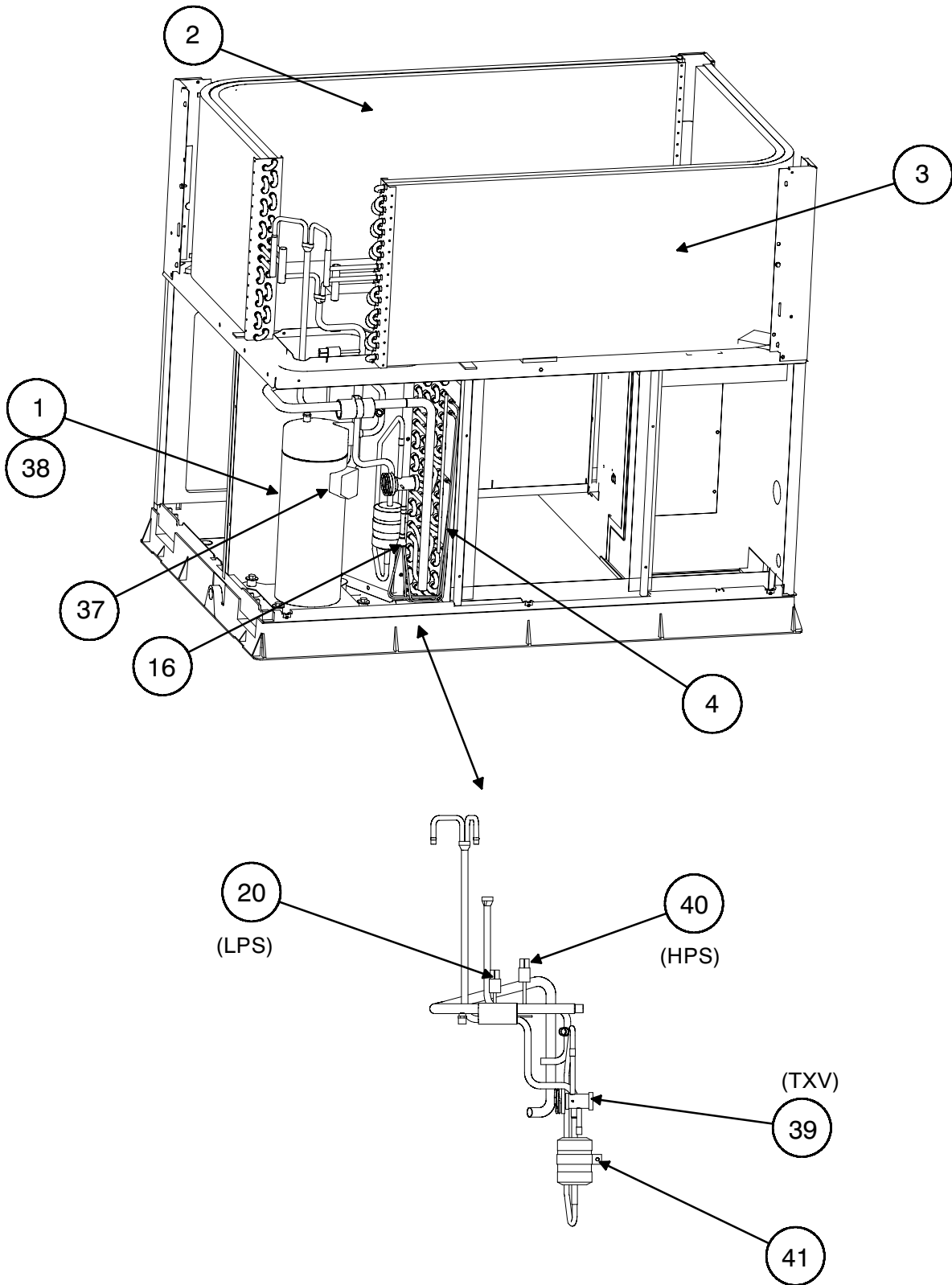
KEY NO.	DESCRIPTION	FAST PARTS NO.	PAD336000L00A1	PAD342000L00A1	PAD348000L00A1	PAD360000L00A1
39	VALVE TXV 4.0 TON R410A	1176870	*	1	1	*
39	VALVE TXV 5.0 TON R410A	1176871	*	*	*	1
40	SWITCH PRESS HI O650 C420	1174407	1	1	1	1
41	DRIER LIQ 08 CU IN 3/8 SWEAT	1173679	1	1	1	1
AE	SCROLL	1176074	*	1	1	1
AE	SCROLL FAN	1176010	1	*	*	*
AF	PLATE ASY FAN	1176011	1	*	*	*
AF	PLATE ASY FAN SIDE	1176075	*	1	1	1
AH	PLATE FAN	1176012	1	*	*	*
AH	PLATE FAN BOTTOM	1176077	*	1	1	1
AJ	CLAMP CAPACITOR OV	1171552	2	2	2	1
AJ	CLAMP CAPACITOR OV	1176134	*	*	*	1
AK	GRILLE ASY 16 "	1176173	*	1	1	*
AK	GRILLE ASY 16"	1176017	1	*	*	*
AK	GRILLE ASY 20"	1176106	*	*	*	1
AL	GRILLE ASY 16"	1176017	*	2	2	*
AL	GRILLE ASY 16"	1176018	1	*	*	*
AL	GRILLE ASY 20"	1176107	*	*	*	2
AM	GRILLE ASY 16"	1176019	1	*	*	*
AM	GRILLE ASY 16"	1176174	*	1	1	*
AM	GRILLE ASY 20"	1176108	*	*	*	1
AN	GRILLE ASY 16"	1176020	1	*	*	*
AP	PANEL CORNER 16"	1176045	3	2	2	*
AP	PANEL CORNER 20" COND	1176109	*	*	*	2
AQ	BRACKET SUPPORT	1176023	4	4	4	*
AQ	BRACKET SUPPORT 16"	1176110	*	*	*	4
AR	PANEL CORNER 16" HEADER	1176046	1	*	*	*
AR	PANEL CORNER 20" HEADER	1176111	*	*	*	1
AR	PANEL CRN 16" HDR	1176046	*	1	1	*
AS	PARTION COIL EVAP	1176026	1	*	*	*
AS	PARTITION COIL EVAP	1176081	*	1	*	*
AS	PARTITION COIL EVAP	1176112	*	*	1	1
AZ	BARRIER 24V	1176144	1	*	*	*
AZ	BARRIER 24V 42-60	1176148	*	1	1	1
BA	PANEL CORNER 16" HEADER	1176734	*	1	1	*
BA	PANEL CORNER 20" HEADER	1176113	*	*	*	1
BB	SUPPORT BLOWER	1176085	*	1	1	1
BC	PARTION COIL EVAP	1176783	1	*	*	*
BC	PARTITION COIL SUPPLY	1176084	*	1	1	1
BD	SUPPORT BLOWER	1176784	1	1	1	1
BE	SHEILD BASE PAN	1176086	*	1	1	1
BE	SHIELD BASEPAN	1176794	1	*	*	*
BF	INSULATION RETURN DUCT PANEL	1176087	*	1	1	1
BF	INSULATION RETURN DUCT PANEL	1176151	1	*	*	*

PAD3 36 - 60 460V PARTS LIST (continued)

KEY NO.	DESCRIPTION	FAST PARTS NO.	PAD336000L00A1	PAD342000L00A1	PAD348000L00A1	PAD360000L00A1
BG	COMPRESSOR MTG BOLT	1176731	4	4	4	4
BH	INSULATION COIL PARTITION	1176152	1	*	*	*
BH	INSULATION COIL PARTITION	1176153	*	1	1	1
BJ	INSULATION COIL PARTITION	1176785	1	*	*	*
BJ	INSULATION COIL PARTITION	1176786	*	1	1	1
BK	GROMMET	1176613	2	2	2	2
BL	PARTITION COIL EVAP	1176114	*	*	1	1
A	RACEWAY	1171428	1	1	1	1
B	INSULATION ASY TOP EVAP	1175988	1	*	*	*
B	INSULATION ASY TOP EVAP	1176083	*	1	1	1
C	BASE PAN ASY	1175989	1	*	*	*
C	BASE PAN ASY	1176061	*	1	1	1
D	COVER ASY DUCT	1175990	2	2	2	2
E	TOP CONDENSER	1175991	1	*	*	*
E	TOP CONDENSER	1176063	*	1	1	1
F	PARTITION COIL	1175992	1	*	*	*
F	PARTITION COIL RETURN	1176064	*	1	1	1
G	PARTITION FAN	1175993	1	*	*	*
G	PARTITION FAN	1176065	*	1	1	1
H	PANEL REAR DUCT	1175994	1	*	*	*
H	PANEL REAR DUCT	1176066	*	1	1	1
J	PANEL COMP SIDE	1175995	1	*	*	*
J	PANEL COMP SIDE	1176067	*	1	1	1
K	PANEL ACCESS	1175996	1	*	*	*
K	PANEL ACCESS	1176068	*	1	1	1
L	INSULATION ACCESS PANEL	1175997	1	*	*	*
L	INSULATION ACCESS PANEL	1176069	*	1	1	1
M	INSULATION COMP PANEL	1176070	*	1	1	1
M	INSULATION PANEL COMP	1175998	1	*	*	*
N	GRILLE OUTLET	1171267	1	1	1	1
P	GROMMET COMPRESSOR 1.62"DIA	1171270	4	4	4	4
R	COVER HEATER OPENING	1176139	1	1	1	1
S	INSULATION CONTROL PLATE	1176140	1	1	1	1
X	PANEL SIDE POWER SUPPLY	1176141	1	*	*	*
X	PANEL SIDE POWER SUPPLY	1176145	*	1	1	1
Y	INSULATION PANEL SIDE	1176142	1	*	*	*
Y	INSULATION PANEL SIDE	1176146	*	1	1	1
Z	PLATE CONTROL	1176143	1	1	1	1
PARTS NOT SHOWN						
)	HARNESS ASY	1176136	1	1	1	1

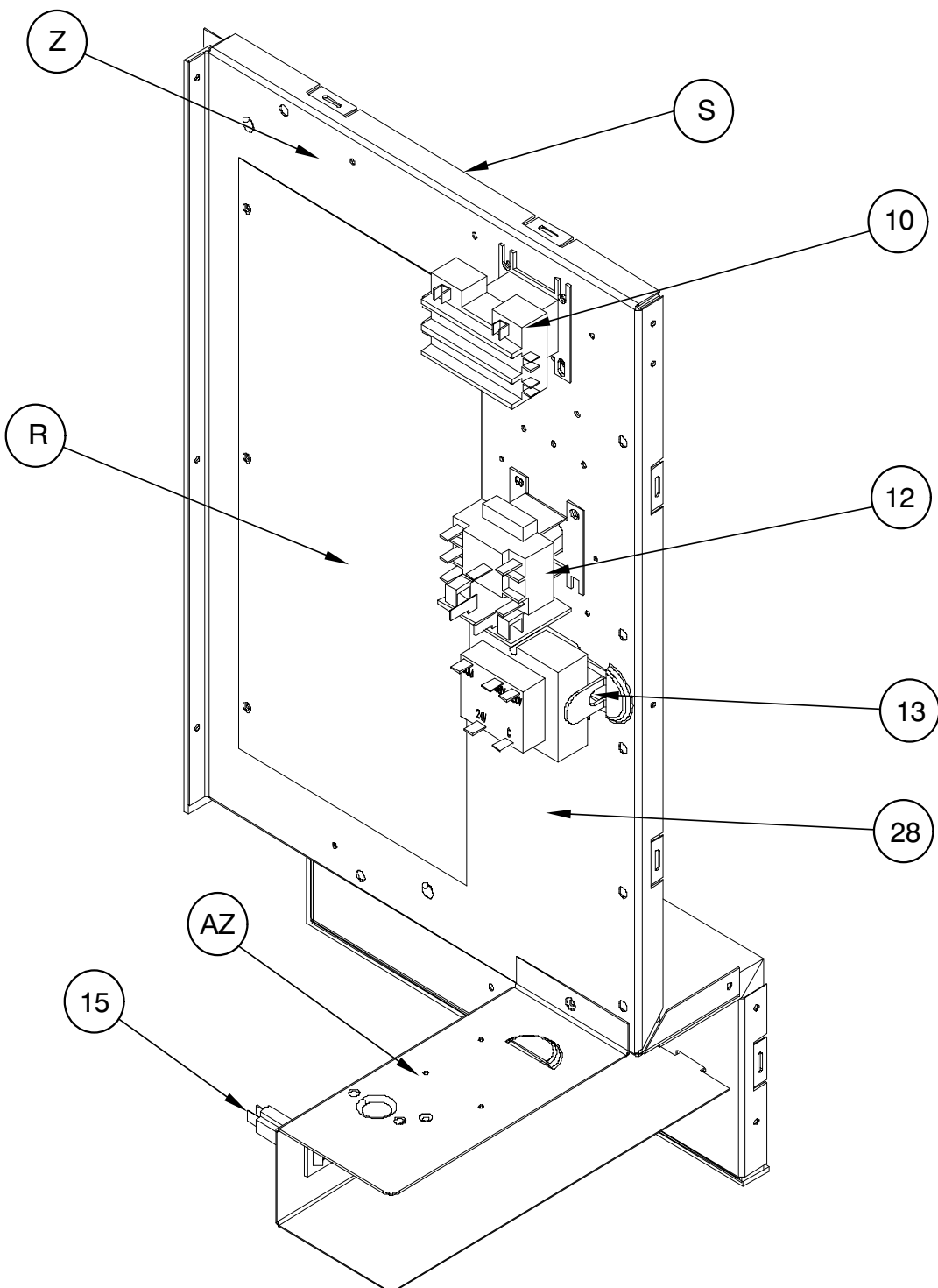
NOTE: This illustration is for reference only. Your unit may differ in appearance or may not include all components shown.

COIL & PIPING GROUP
(036 SHOWN)



NOTE: This illustration is for reference only. Your unit may differ in appearance or may not include all components shown.

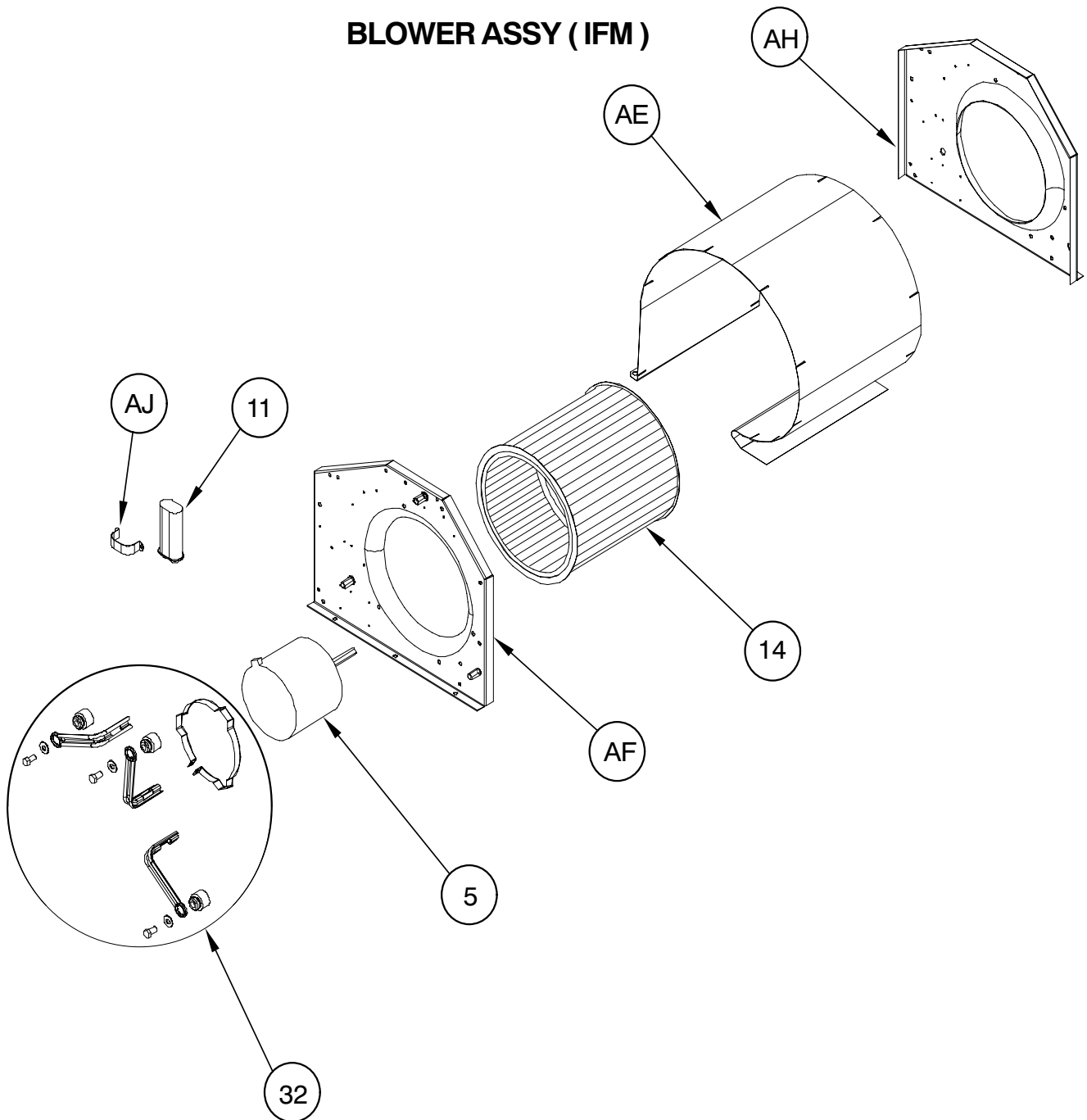
CONTROL ASSY.



PAD3 30, 36

NOTE: This illustration is for reference only. Your unit may differ in appearance or may not include all components shown.

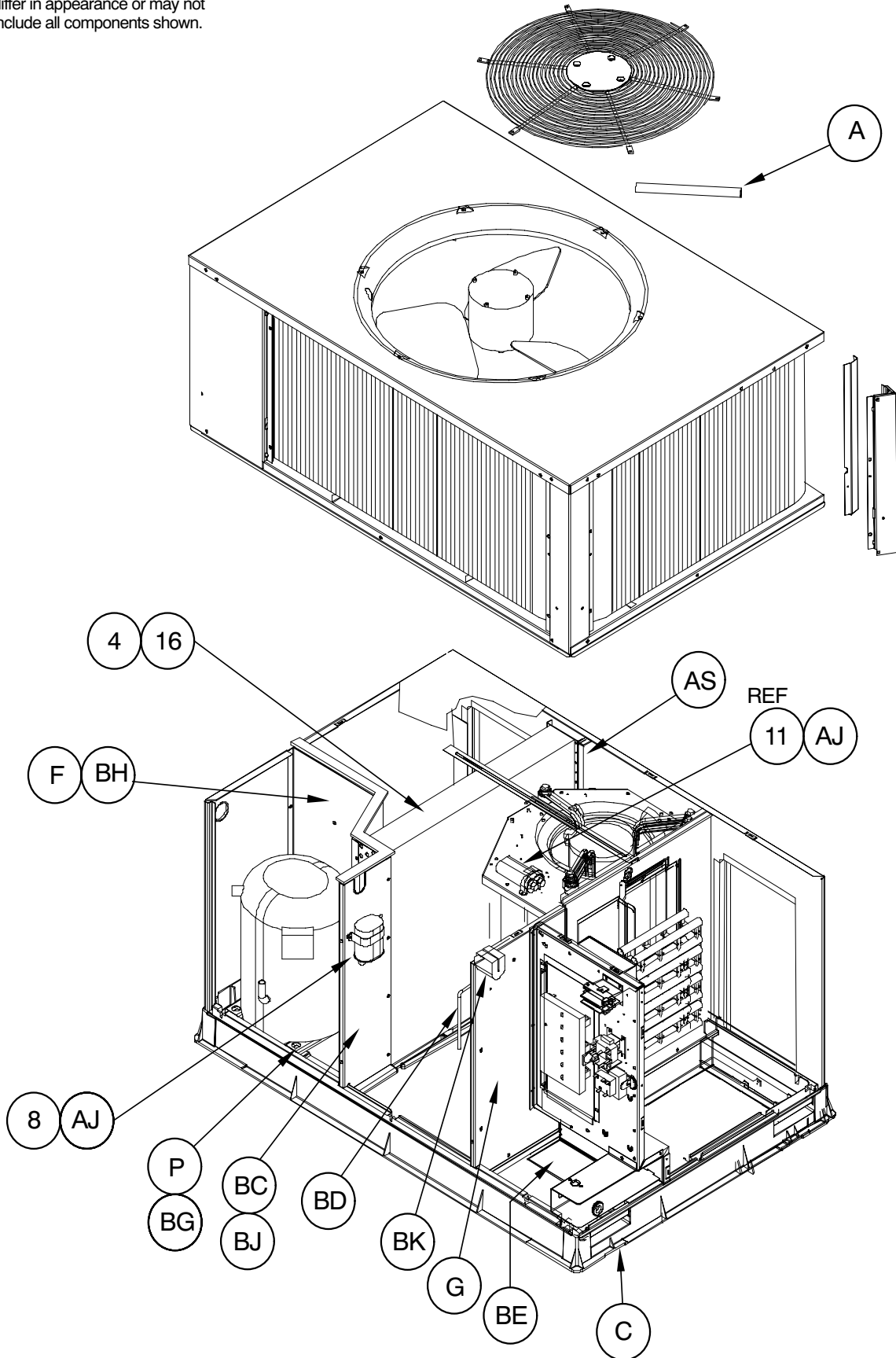
BLOWER ASSY (IFM)



WPA3001

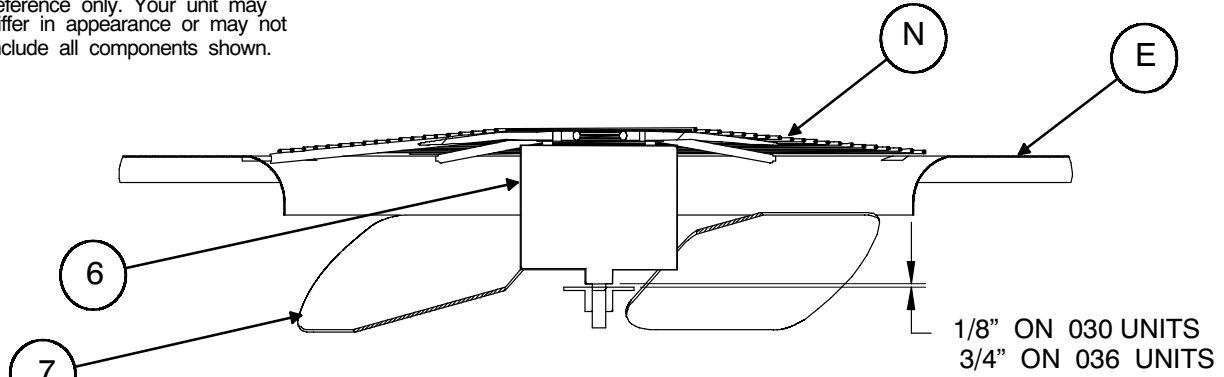
PAD3 30, 36

NOTE: This illustration is for reference only. Your unit may differ in appearance or may not include all components shown.

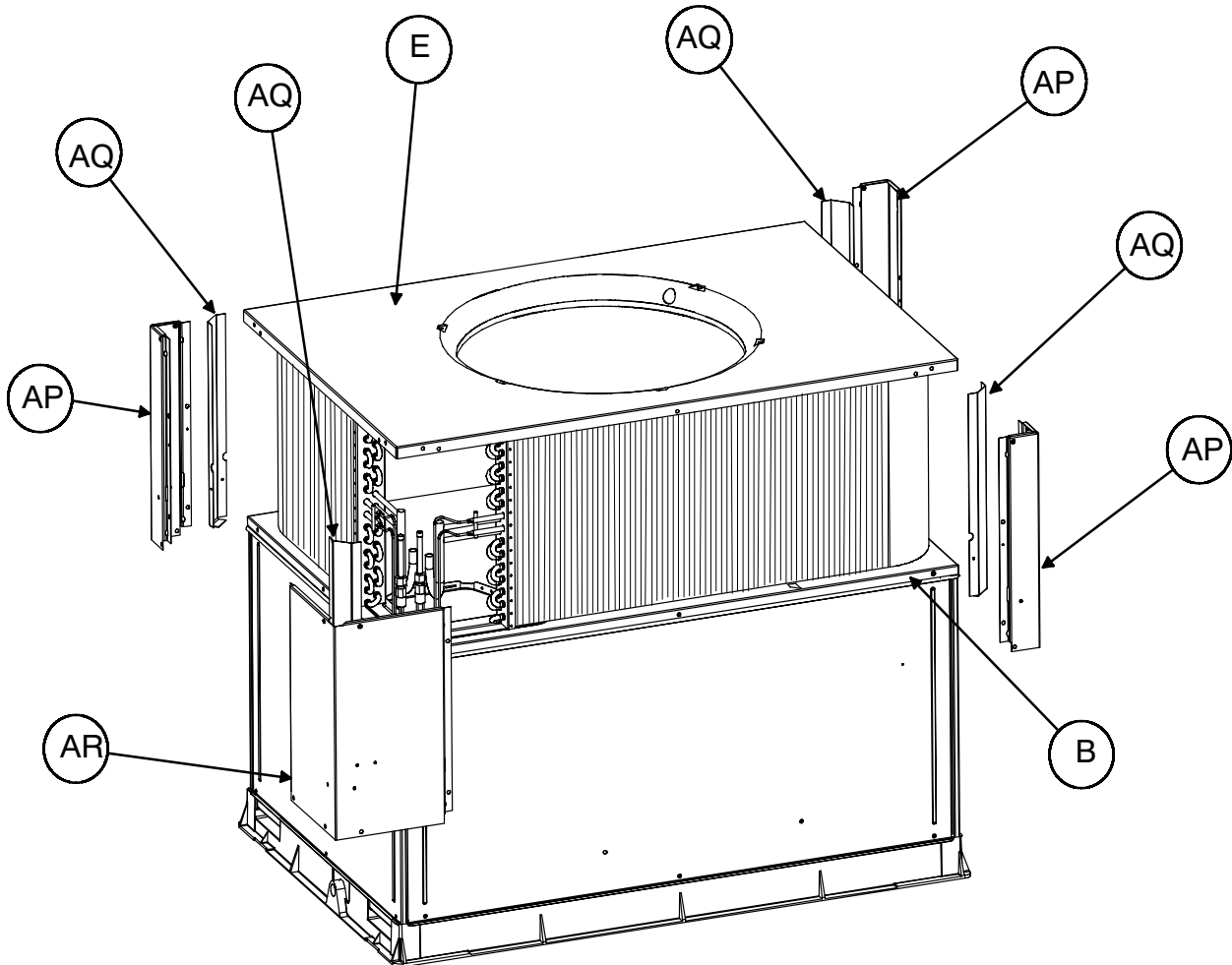


PAD303

NOTE: This illustration is for reference only. Your unit may differ in appearance or may not include all components shown.

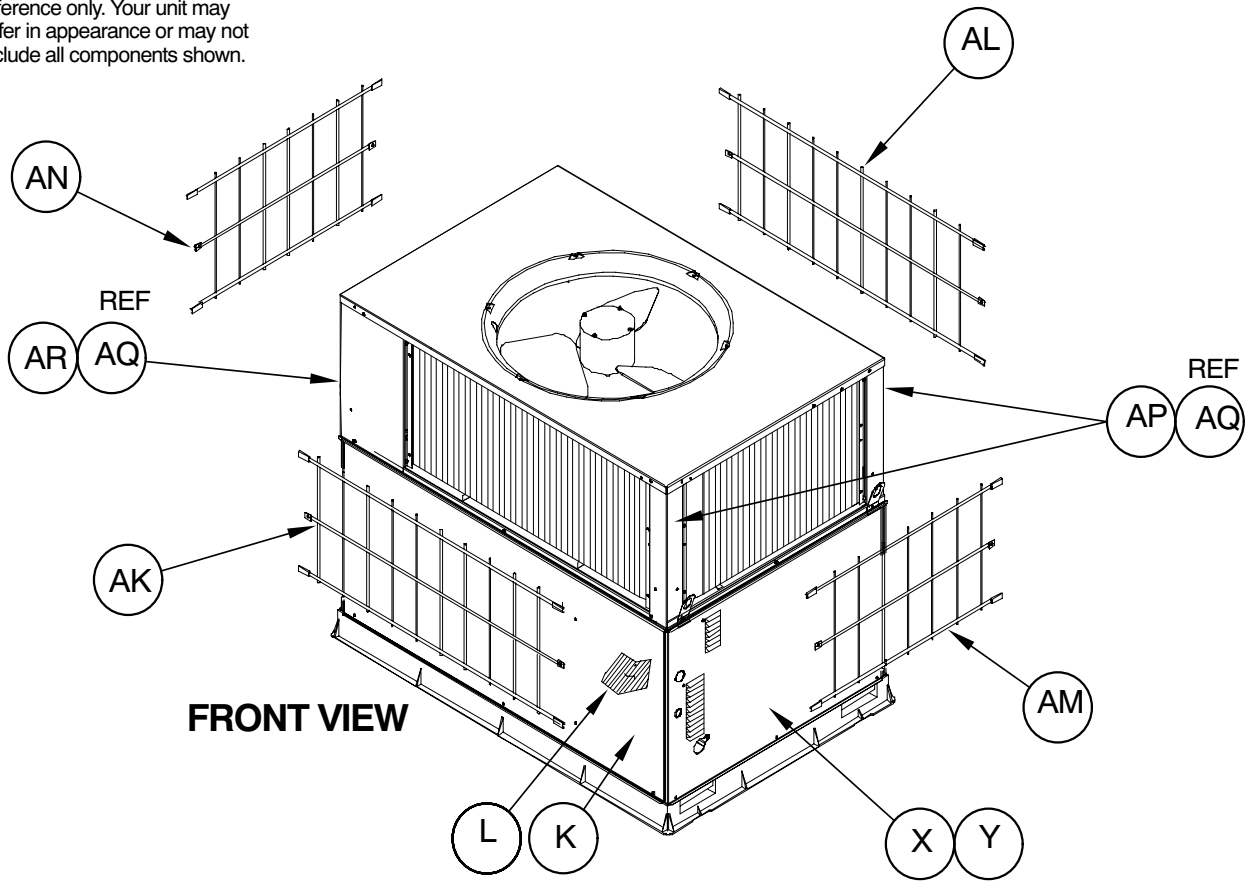


OUTDOOR MOTOR AND FAN BLADE GAP

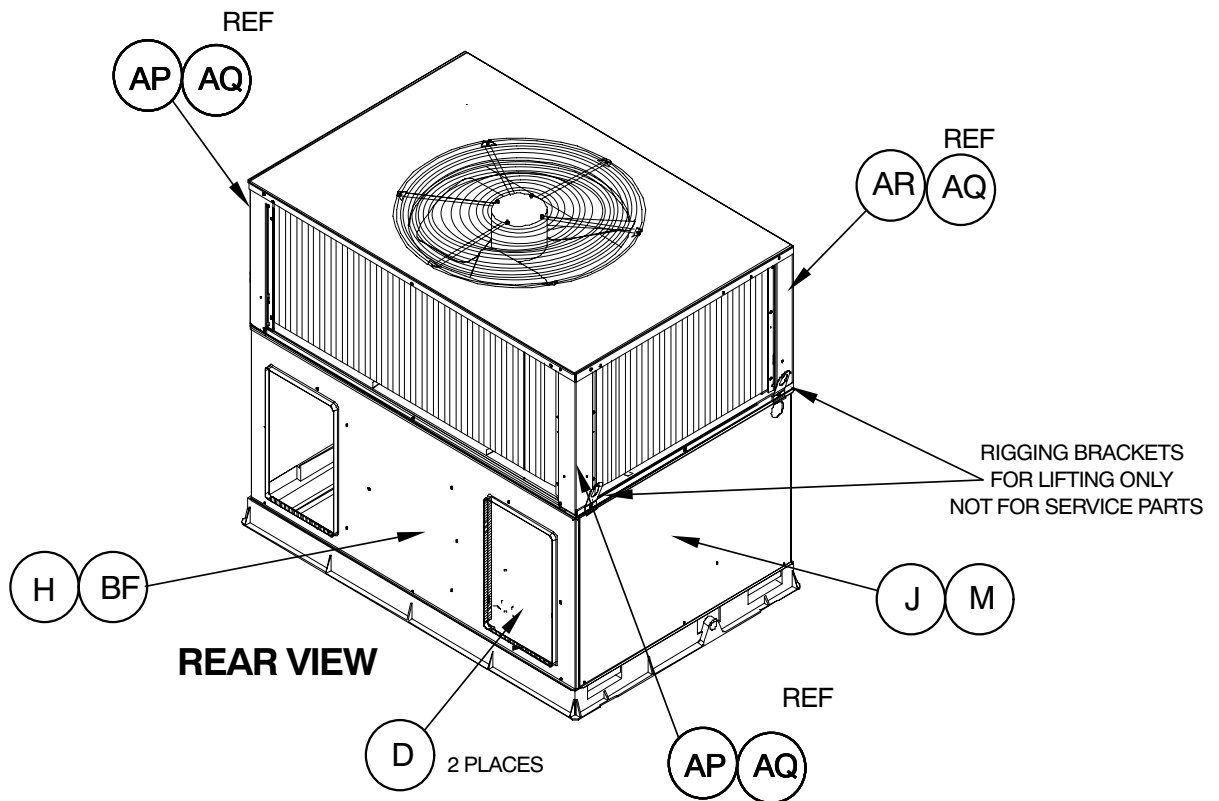


PAD3 30, 36

NOTE: This illustration is for reference only. Your unit may differ in appearance or may not include all components shown.



FRONT VIEW

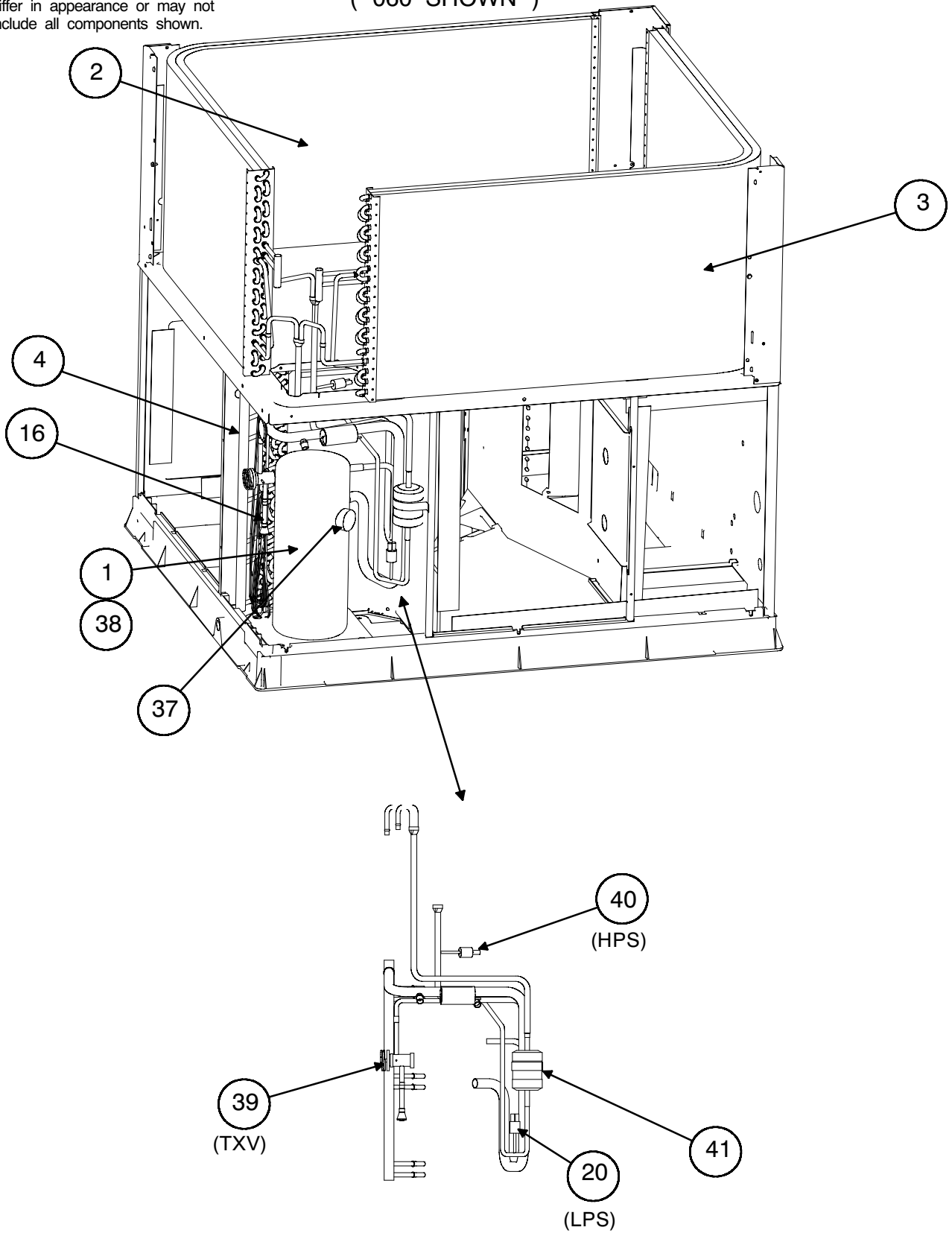


REAR VIEW

PHD010

NOTE: This illustration is for reference only. Your unit may differ in appearance or may not include all components shown.

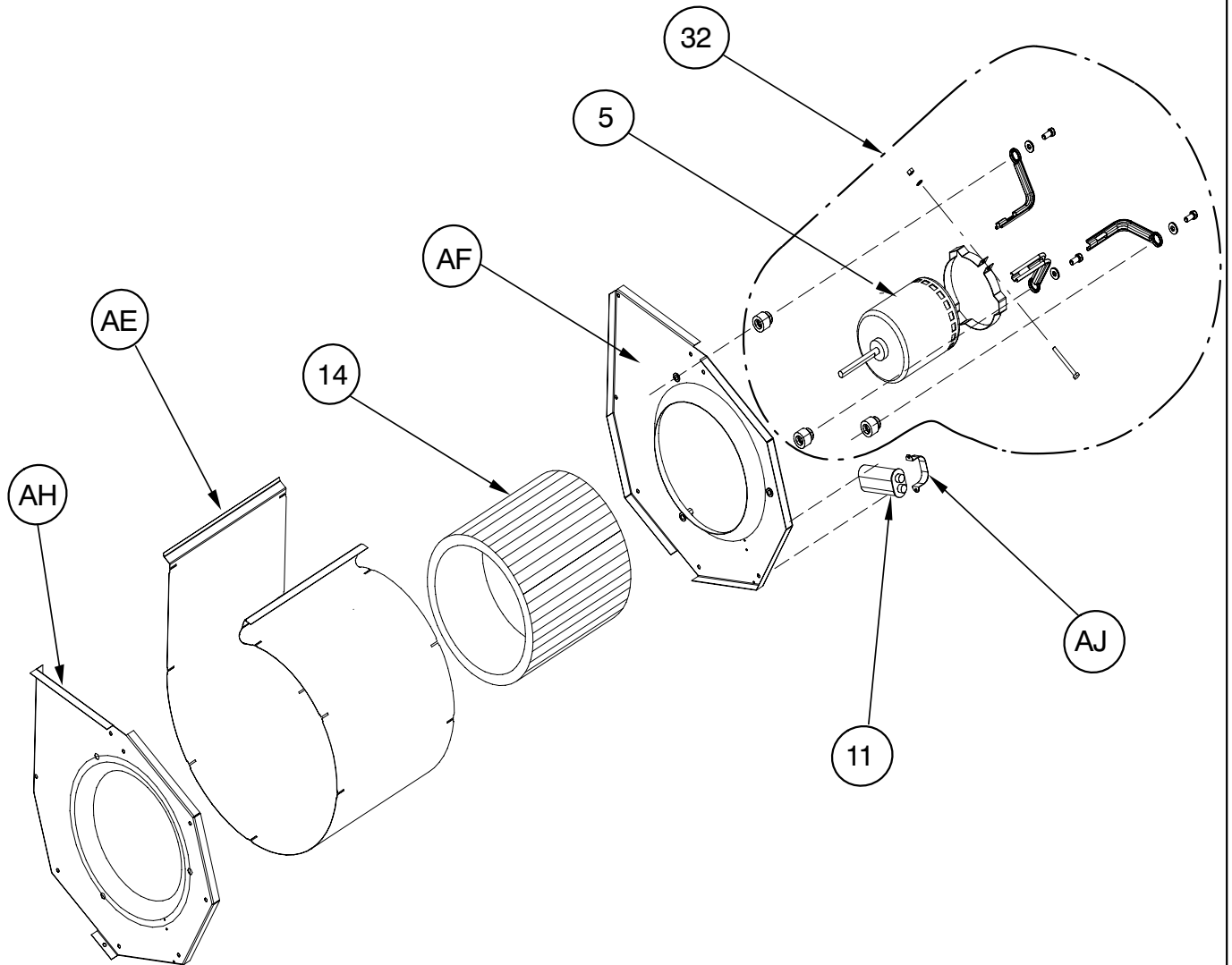
COIL & PIPING GROUP (060 SHOWN)



PAD3 42 - 60

NOTE: This illustration is for reference only. Your unit may differ in appearance or may not include all components shown.

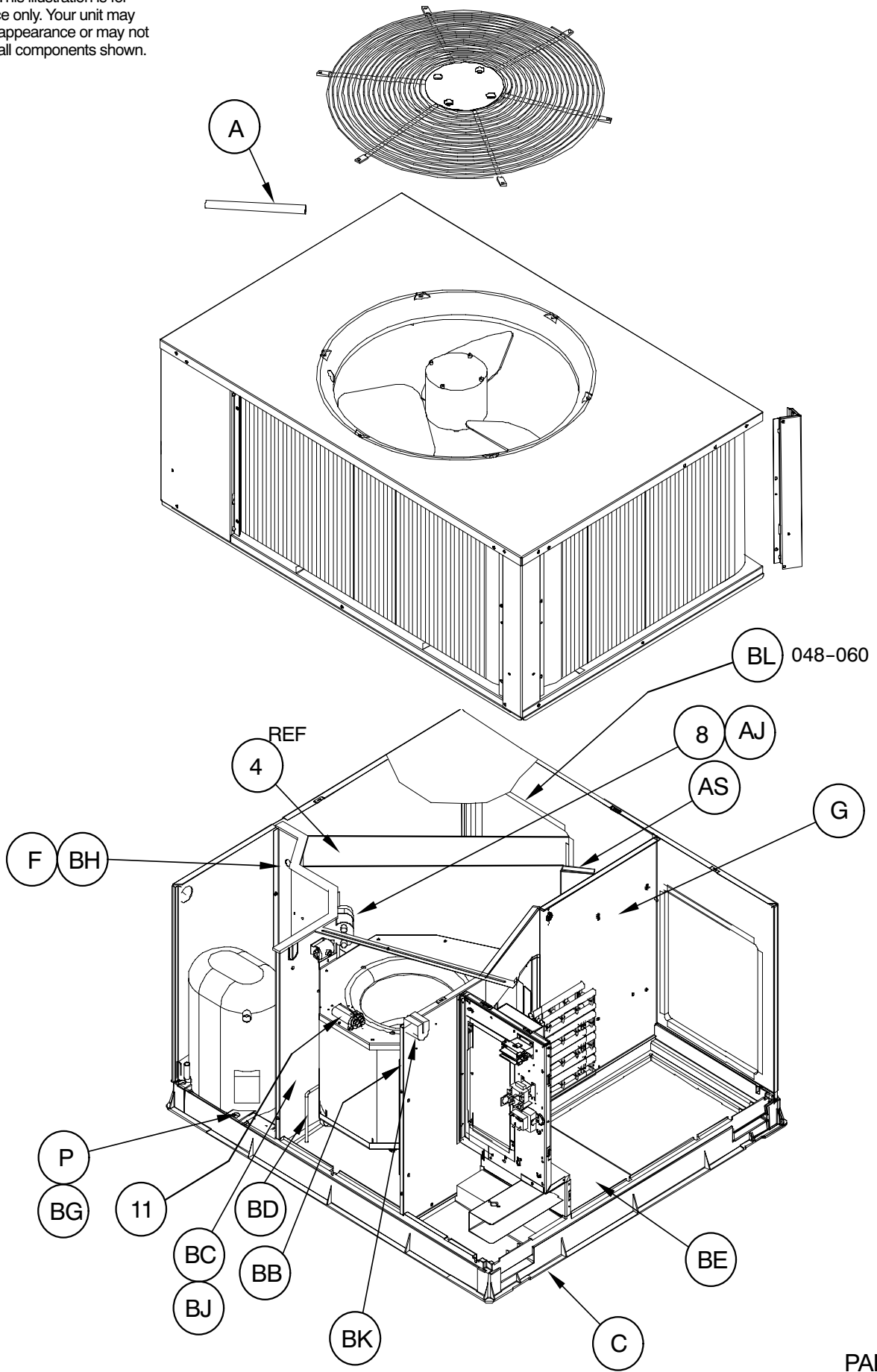
BLOWER ASSY (IFM)



WPGN06

PAD3 42 - 60

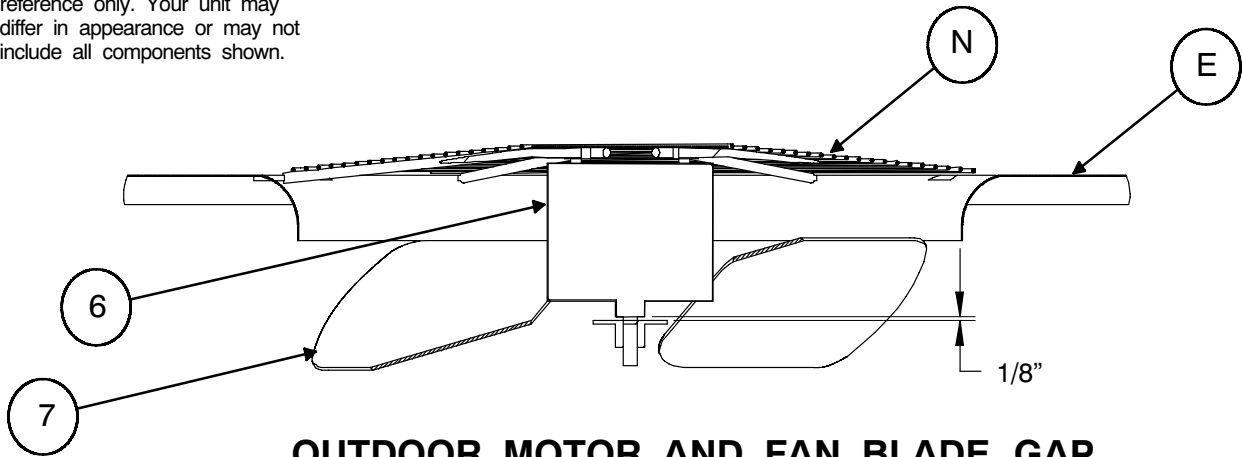
NOTE: This illustration is for reference only. Your unit may differ in appearance or may not include all components shown.



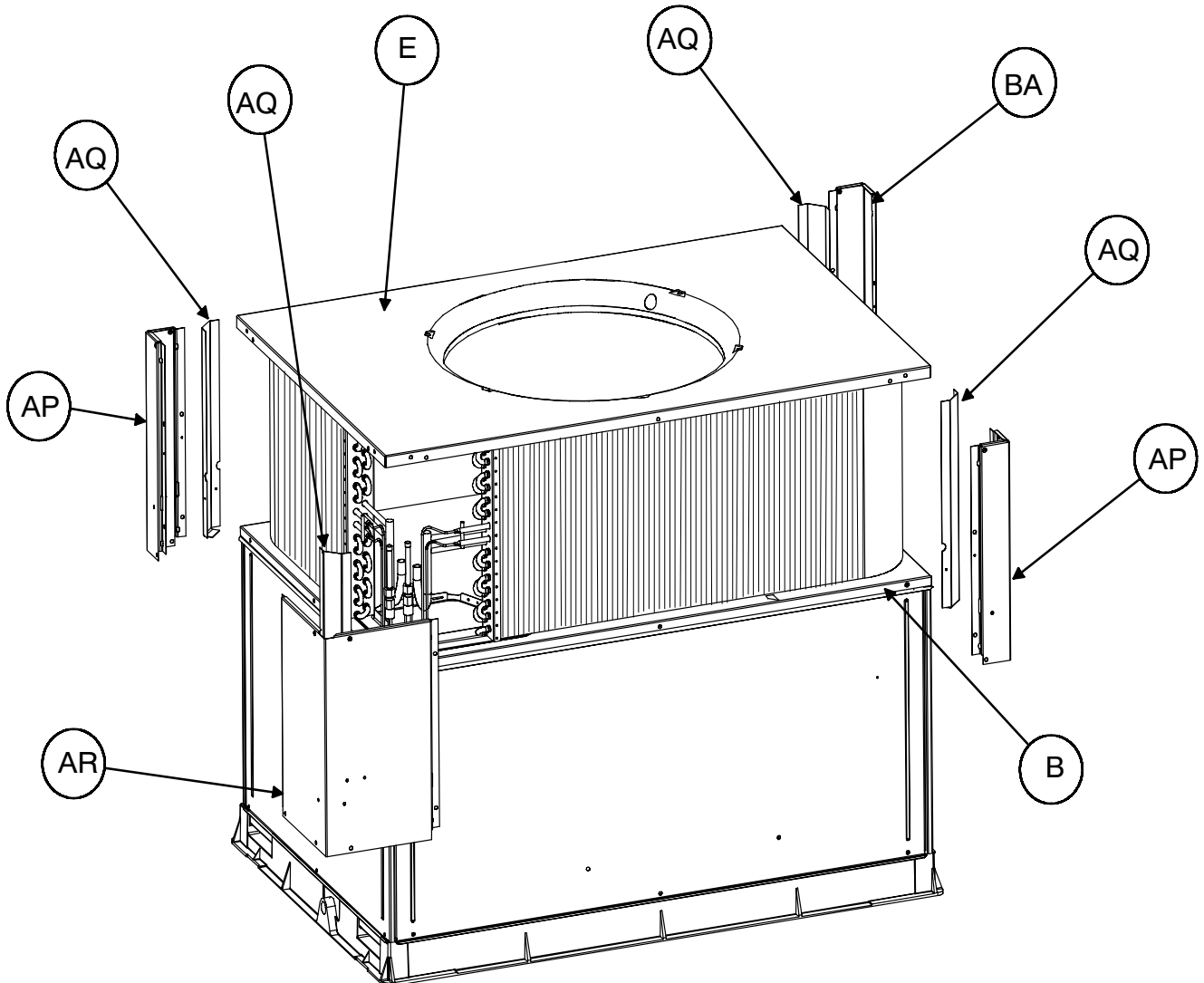
PAD302

PAD3 42 - 60

NOTE: This illustration is for reference only. Your unit may differ in appearance or may not include all components shown.



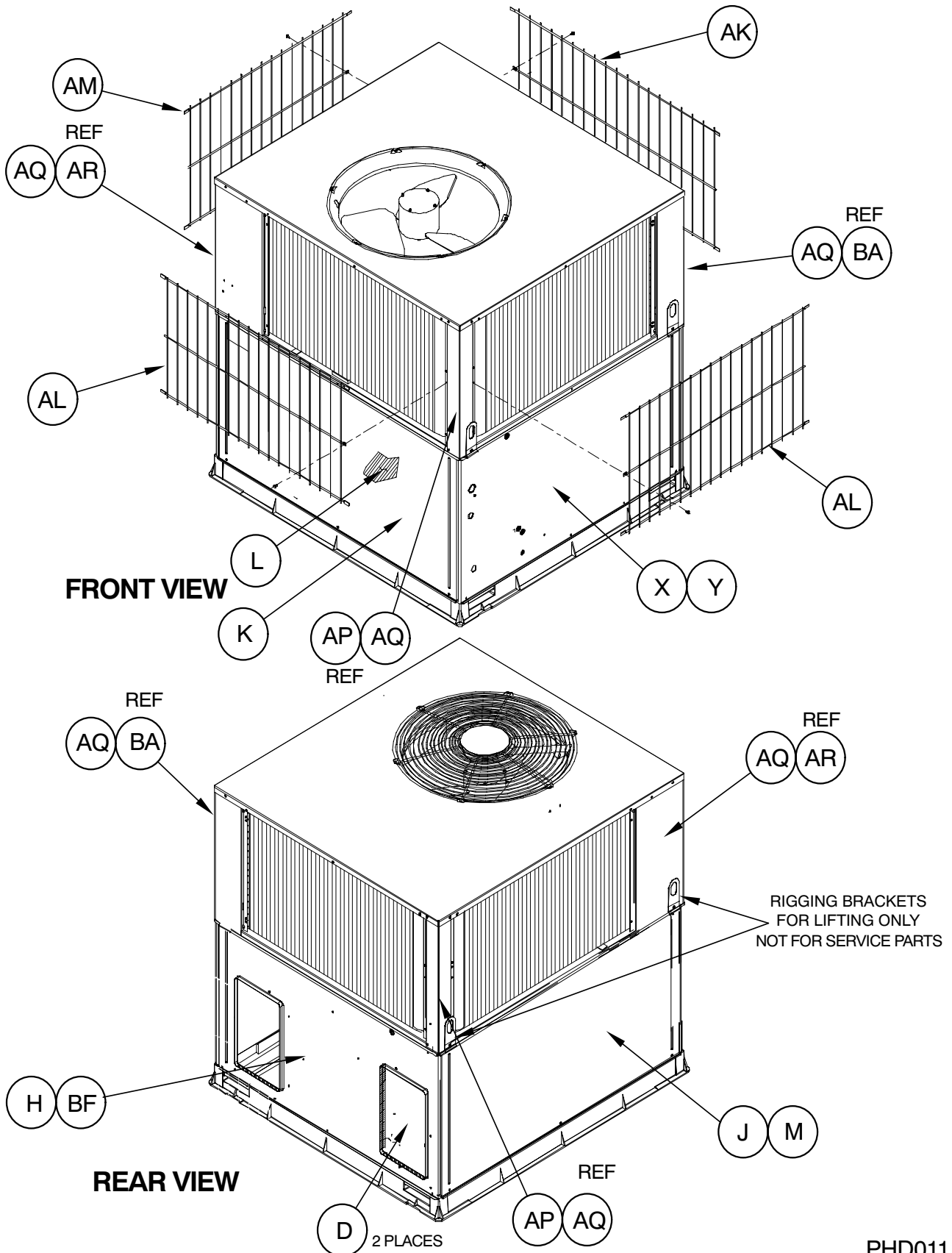
OUTDOOR MOTOR AND FAN BLADE GAP



PHD09

PAD3 42 - 60

NOTE: This illustration is for reference only. Your unit may differ in appearance or may not include all components shown.



PHD011

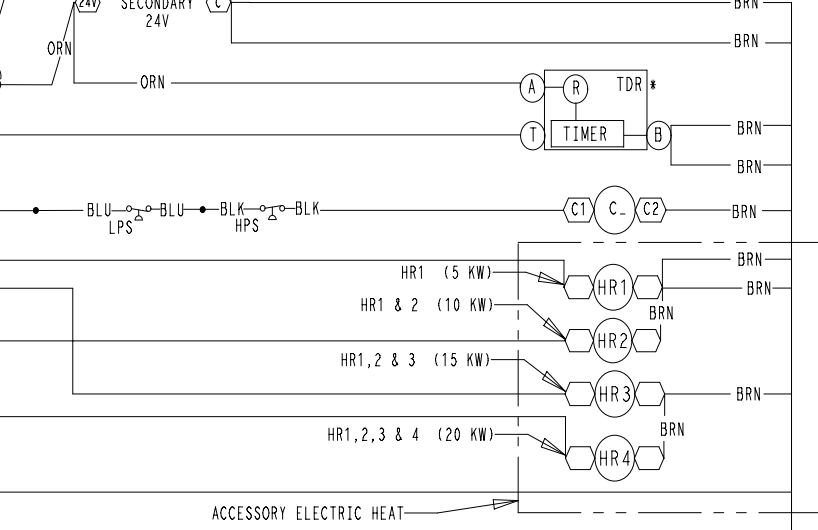
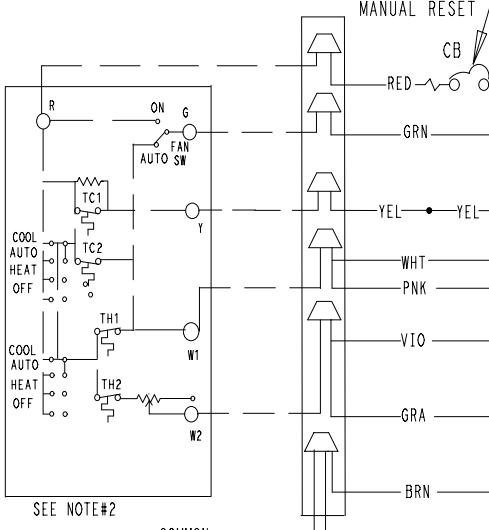
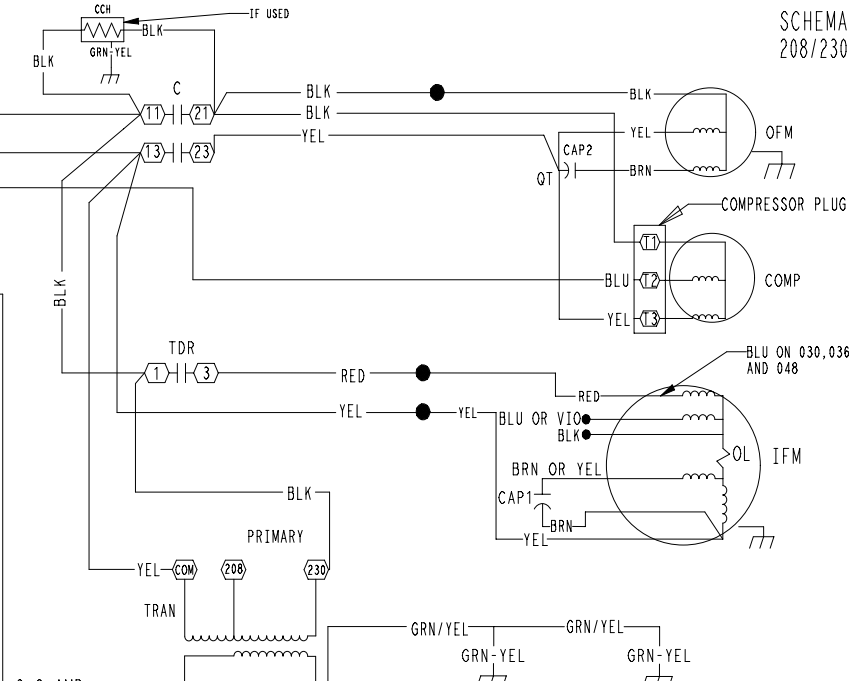
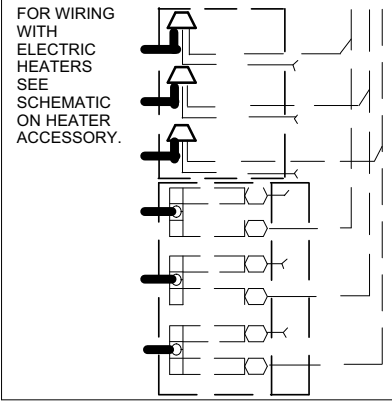
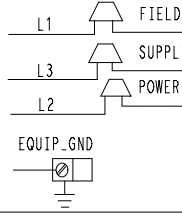
Model Size		Required S subcooling of (oC)				Required Liquid Line Temperature for a Specific Subcooling (R-410A)											
		Outdoor Ambient Temperature				Pressure (psig)	Required Subcooling (°F)				Pressure (kPa)	Required Subcooling (°C)					
		75 (24)	85 (29)	95 (35)	105 (41)		115 (46)	5	10	15		20	25	3	6	8	11
030	12 (6.7)	13 (7.2)	14 (7.8)	15 (5.0)	15 (5.0)	189	66	61	56	51	46	41	19	16	13	11	
036	14 (7.8)	14 (7.8)	14 (7.8)	14 (7.8)	14 (7.8)	196	68	63	58	53	48	43	20	17	15	12	
042	11 (6.1)	11 (6.1)	11 (6.1)	10 (5.6)	9 (5.0)	203	71	66	61	56	51	46	21	19	16	13	
048	8 (4.4)	7 (3.9)	7 (3.9)	7 (3.9)	6 (3.3)	210	73	68	63	58	53	48	23	20	17	14	
060	14 (7.8)	13 (7.2)	12 (6.7)	11 (6.1)	10 (5.6)	217	75	70	65	60	55	50	24	21	18	15	
						224	77	72	67	62	57	52	25	22	19	16	
						231	79	74	69	64	59	54	26	23	20	18	
						238	81	76	71	66	61	56	27	24	21	19	
						245	82	77	72	67	62	57	28	25	22	20	
						252	84	79	74	69	64	59	29	26	23	21	
						260	86	81	76	71	66	61	30	27	25	22	
						268	88	83	78	73	68	63	31	29	26	23	
						276	90	85	80	75	70	65	32	30	27	24	
						284	92	87	82	77	72	67	33	31	28	25	
						292	94	89	84	79	74	69	35	32	29	26	
						300	96	91	86	81	76	71	36	33	30	27	
						309	98	93	88	83	78	73	37	34	31	28	
						318	100	95	90	85	80	75	38	35	32	29	
						327	102	97	92	87	82	77	39	36	33	30	
						336	104	99	94	89	84	79	40	37	34	32	
						345	106	101	96	91	86	81	41	38	35	33	
						354	108	103	98	93	88	83	42	39	36	34	
						364	110	105	100	95	90	85	43	40	38	35	
						374	112	107	102	97	92	87	44	41	39	36	
						384	113	108	103	98	93	88	45	42	40	37	
						394	115	110	105	100	95	90	46	44	41	38	
						404	117	112	107	102	97	92	47	45	42	39	
						414	119	114	109	104	99	94	48	46	43	40	
						424	121	116	111	106	101	96	49	47	44	41	
						434	123	118	113	108	103	98	50	48	45	42	
						444	124	119	114	109	104	99	51	48	46	43	
						454	126	121	116	111	106	101	52	49	47	44	
						464	128	123	118	113	108	103	53	50	48	45	
						474	129	124	119	114	109	104	54	51	48	46	
						484	131	126	121	116	111	106	55	52	49	47	
						494	132	127	122	117	112	107	56	53	50	47	
						504	134	129	124	119	114	109	57	54	51	48	
						514	136	131	126	121	116	111	58	55	52	49	
						524	137	132	127	122	117	112	58	56	53	50	
						534	139	134	129	124	119	114	59	56	54	51	

Charging Procedure

1. Measure Discharge line pressure by attaching a gauge to the service port.
2. Measure the Liquid line temperature by attaching a temperature sensing device to it.
3. Insulate the temperature sensing device so that the Outdoor Ambient doesn't affect the reading.
4. Refer to the required Subcooling in the table based on the model size and the Outdoor Ambient temperature.
5. Interpolate if the Outdoor ambient temperature lies in between the table values.
6. Find the Pressure Value in the table corresponding to the the measured Pressure of the Compressor Discharge line.
7. Read across from the Pressure reading to obtain the Liquid line temperature for a required Subcooling
8. Add Charge if the measured temperature is higher than the table value.
9. Remove charge if the measured temperature is lower than the table value.

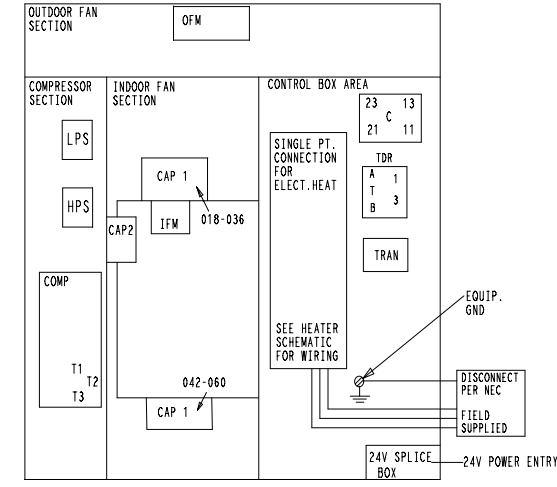
PAD3 30 - 60

MAXIMUM WIRE
SIZE 2 AWG.



24V SPLICE BOX

UNIT COMPONENT ARRANGEMENT

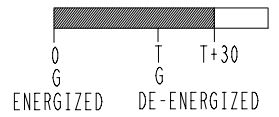


LEGEND

- △ FIELD SPLICE
- TERMINAL (MARKED)
- TERMINAL (UNMARKED)
- SPLICE
- SPLICE (MARKED)
- FACTORY WIRING
- - - FIELD CONTROL WIRING
- - - FIELD POWER WIRING
- - - ACCESSORY OR OPTIONAL WIRING
- TO INDICATE COMMON POTENTIAL ONLY: NOT TO REPRESENT WIRING
- C CONTACTOR
- CAP CAPACITOR
- CB CIRCUIT BREAKER
- COMP COMPRESSOR MOTOR
- EQUIP EQUIPMENT
- FU FUSE
- GND GROUND
- HR HEATER RELAY
- HTR HEATER
- HPS HIGH PRESSURE SWITCH
- IFM INDOOR FAN MOTOR
- LPS LOW PRESSURE SWITCH
- OFM OUTDOOR FAN MOTOR
- QT QUADRUPLE TERMINAL
- TDR TIME DELAY RELAY
- TH THERMOSTAT-HEATING
- TRAN TRANSFORMER

*TDR (1.3)

FAN SEQUENCE

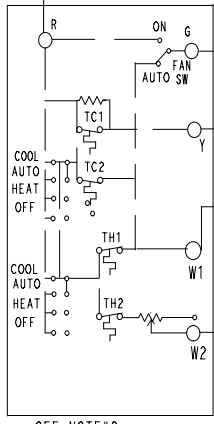
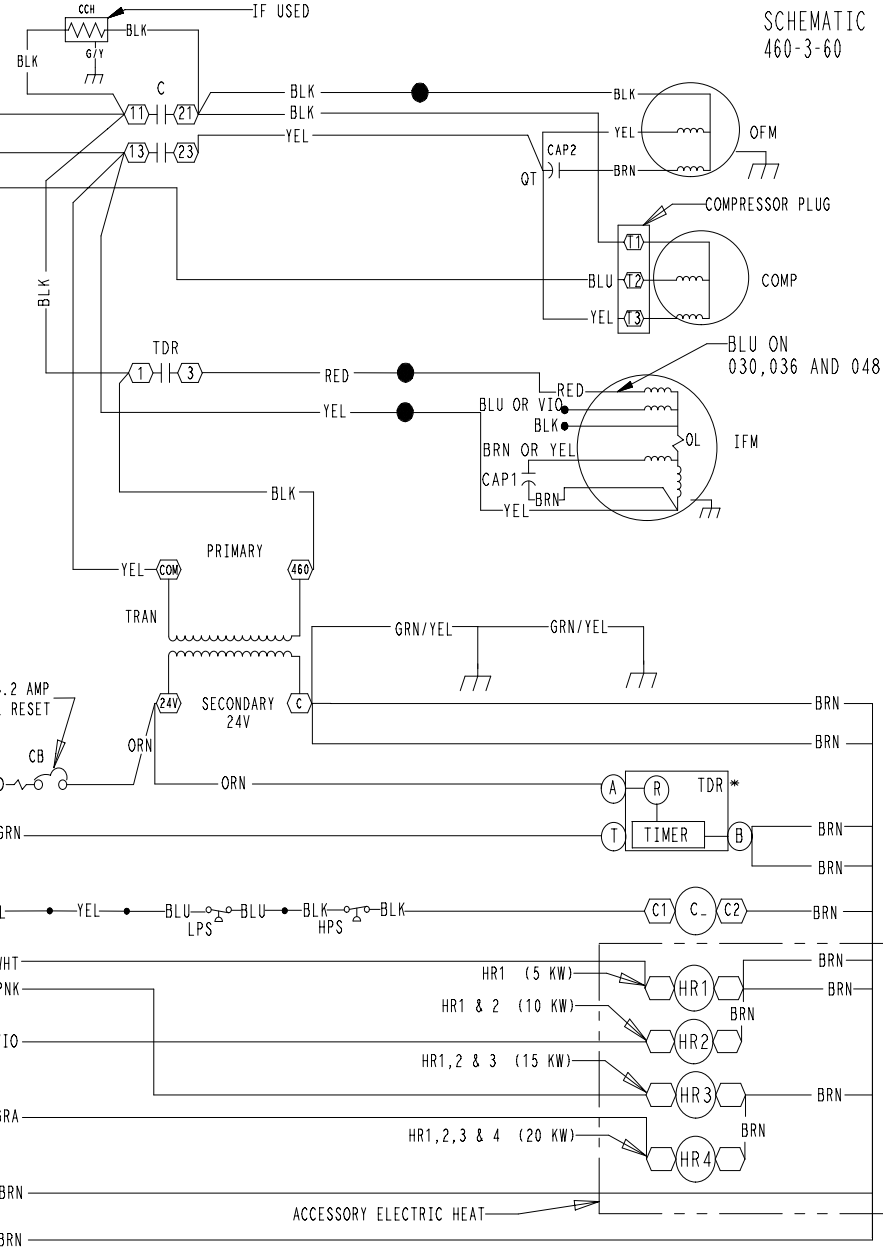
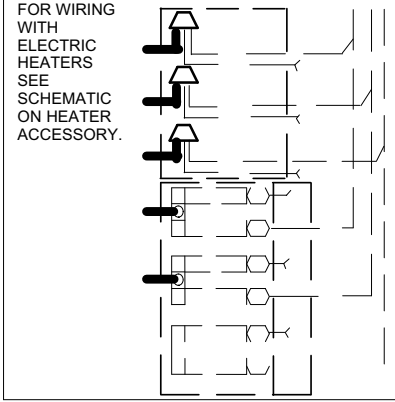
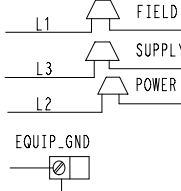


NOTES:

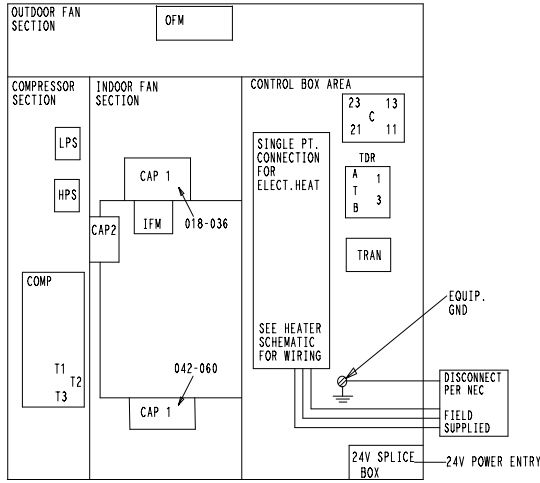
1. IF ANY OF THE ORIGINAL WIRES FURNISHED ARE REPLACED, THEY MUST BE REPLACED WITH TYPE 90 DEG. C WIRE OR ITS EQUIVALENT.
2. SEE PRICE PAGES FOR THERMOSTAT AND SUBBASES.
3. USE 75 DEG. COPPER CONDUCTORS FOR FIELD POWER SUPPLY.
4. FOR "HIGH SPEED" IFM, DISCONNECT "RED" OR "BLUE" WIRE FROM TDR-3 AND CONNECT THE "BLK" WIRE.

PAD3 36 - 60

MAXIMUM WIRE
SIZE 2 AWG.



UNIT COMPONENT ARRANGEMENT

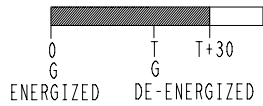


LEGEND

- △ FIELD SPLICE
- TERMINAL (MARKED)
- TERMINAL (UNMARKED)
- SPLICE
- SPLICE (MARKED)
- FACTORY WIRING
- - - FIELD CONTROL WIRING
- - - FIELD POWER WIRING
- - - ACCESSORY OR OPTIONAL WIRING
- TO INDICATE COMMON
- POTENTIAL ONLY:
NOT TO REPRESENT
WIRING
- C CONTACTOR
- CAP CAPACITOR
- CB CIRCUIT BREAKER
- COMP COMPRESSOR MOTOR
- EQUIP EQUIPMENT
- FU FUSE
- GND GROUND
- HR HEATER RELAY
- HEAT HEATER
- HTR HEATER
- LPS LOW PRESSURE SWITCH
- IFM INDOOR FAN MOTOR
- HPS HIGH PRESSURE SWITCH
- OFM OUTDOOR FAN MOTOR
- QT QUADRUPLE TERMINAL
- TDR TIME DELAY RELAY
- TH THERMOSTAT-HEATING
- TRAN TRANSFORMER

*TDR (1.3)

FAN SEQUENCE



NOTES:

1. IF ANY OF THE ORIGINAL WIRES FURNISHED ARE REPLACED, THEY MUST BE REPLACED WITH TYPE 90 DEG. C WIRE OR ITS EQUIVALENT.
2. SEE PRICE PAGES FOR THERMOSTAT.
3. USE 75 DEG. COPPER CONDUCTORS FOR FIELD POWER SUPPLY.
4. FOR "HIGH SPEED" IFM, DISCONNECT "RED" OR "BLUE" WIRE FROM TDR-3 AND CONNECT THE "BLK" WIRE.