

# Parts List, Tech Labels & Wiring Diagrams for PAB & PAMC Series

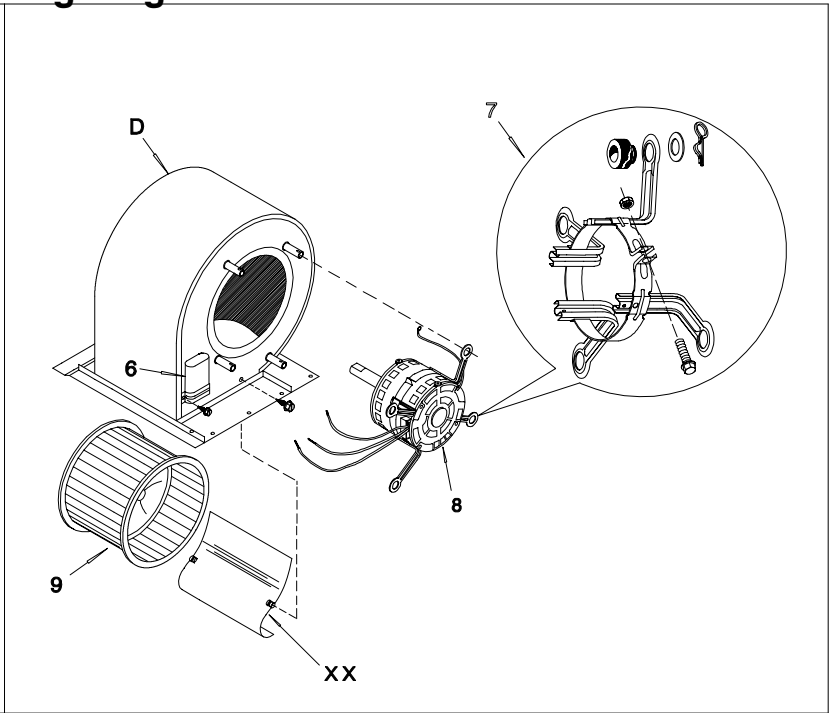
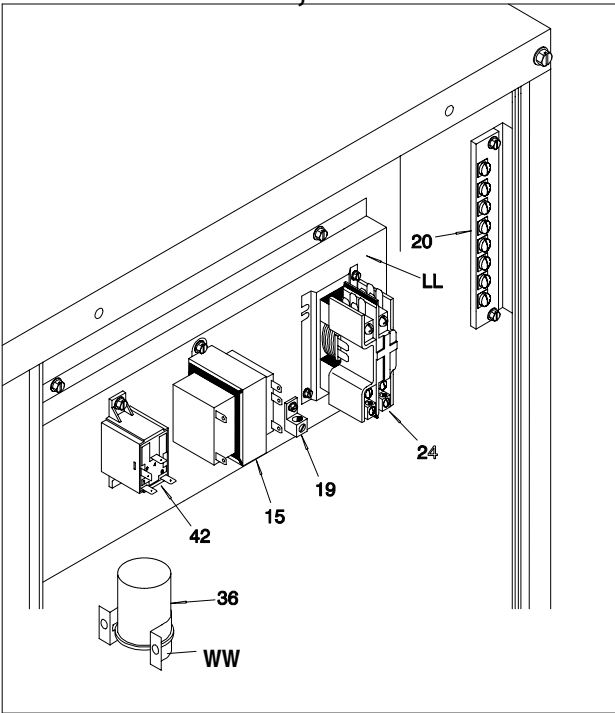
**Model Numbers: PAB036N1HD, PAB036N1LD, PAB048N1HD, PAB048N1LD, PAB060N1HD, PAB060N1LD, PAMC36HD, PAMC36FD, PAMC36ND, PAMC48HD, PAMC48FD, PAMC60HD, PAMC60FD**

			PAB							
			036N1HD	036N1LD		048N1HD	048N1LD		060N1HD	060N1LD
			PAMC							
NO	DESCRIPTION	PART NUM.	36HD	36FD		48HD	48FD		60HD	60FD
1	Compressor, ZR34K3TF5		1							
1	ZR34K3TFD		*	1						
1	CR32K6TFE		*	*						
1	ZR45KCTF5		*	*		1				
1	ZR45KCTFD		*	*		*	1			
1	ZR45KC		*	*		*	*			
1	ZR61KCTF5		*	*		*	*		1	
1	ZR61KCTFD		*	*		*	*		*	1
1	ZR61KCTFE		*	*		*	*		*	*
2	Motor, Condenser Fan	1098501	1	*		1	*		1	*
2		1098502	*	1		*	1		*	1
3	Fan, Condenser	1080791	1	1						
3		1080792	*	*		1	1		1	1
5	Coil, Condenser	1065064	1	1						
5		1082448	*	*		1	1		1	1
6	Capacitor, 7.5 Mfd., 370 Volt	1094239	1	1						
6	20 Mfd., 440 Volt	1094968	*	*		1	1		1	1
7	Mount Kit, Blower Motor	1004905	1	1						
7		1002804	*	*		1	1		1	1
8	Motor, Blower	1054583	1	1						
8		1113191	*	*		*	1		*	1
8		1065129	*	*		1	1		1	1
8		1113219	*	*		*	1		*	1
9	Wheel, Blower 10-8 DD	600587	1	1						
9	11-11 DD	1054593	*	*		1	1		1	1
11	Coil, Evaporator	1098594	1	1						
11		1082451	*	*		1	1			
11		1082453	*	*		*	*		1	1
14	Manifold Evap. (Liq.)	1098595	1	1						
14	Feeder Tube Asy	1081492	*	*		1	1			
14		1081493	*	*		*	*		1	1
15	Transformer, 208-240V Pri, 24V Sec. 65VA	1054637	1	*		1	*		1	*
15	Transformer, 460VPri. 24VSec	1054638	1	1		1	1		1	1
19	Lug, Ground	91590	1	1		1	1		1	1
20	Board, Terminal	1066159	1	1		1	1		1	1
24	Contact, 30 Amp., 3 Pole	607339	1	1		1	1		1	1
27	Grommet, Compressor Mount	1053188	4	4						
27		1052060	4	4		4	4		4	4
28	Switch, Low Pressure	1096252	1	1		1	1		1	1
36	Capacitor, 10 Mfd., 440 Volt	1094965	1	1		1	1		1	1
41	Port Valve Assembly	1096263	1	1		1	1		1	1
42	Relay, SPDT	92840	1	1		1	1		1	1
43	Manifold, Condenser (Dis)	1054555	1	1						
43		1081458	*	*		1	1		1	1
44	Manifold, Condenser (Liquid)	1082421	*	*		1	1		1	1
45	Drier, Filter	713894	1	1		1	1		1	1
48	Manifold, Evaporator	1098596	1	1						
48		1081494	*	*		1	1			
48		1082409	*	*		*	*		1	1
53	Switch, Temperature	1098701	1	1		1	1		1	1
54	Switch, High Pressure	1096251	1	1		1	1		1	1
55	Filter, Air 20x30x2"	1054503	2	2		2	2		2	2
60	Control, Flow	1082405	*	*		1	1			
60		1082406	*	*		*	*		1	1

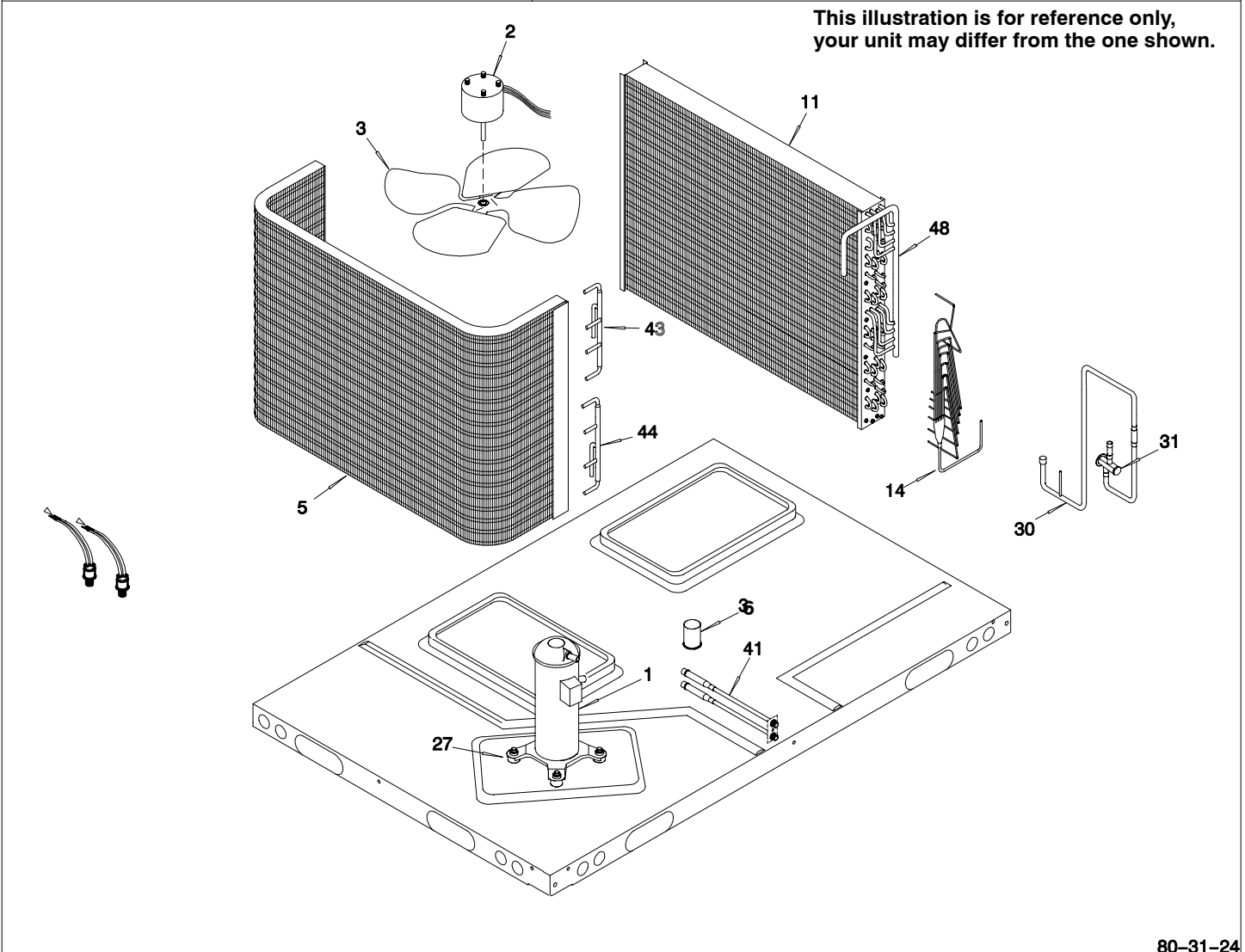
## Parts List, Tech Labels & Wiring Diagrams for PAB & PAMC Series

			PAB							
			036N1HD	036N1LD		048N1HD	048N1LD		060N1HD	060N1LD
			PAMC							
NO	DESCRIPTION	PART NUM.	36HD	36FD		48HD	48FD		60HD	60FD
A	Grille, Outlet	1072842	1	1		1	1		1	1
AA	Cover, Duct	1068158	2	2		2	2		2	2
AB	Retainer, Filter	1054517	2	2		2	2		2	2
B	Panel, Top	1068157	1	1		1	1		1	1
C	Orifice, Condenser Fan	1065725	1	1		1	1		1	1
CC	Bracket, Supply Air	1054525	1	1		1	1		1	1
D	Housing, Blower	1099402	1	1						
D		1099238	*	*		1	1		1	1
E	Deck, Blower	1065948	1	1		1	1		1	1
F	Panel, Access	1068181	1	1		1	1		1	1
FF	Baffle, Air	1054522	1	1		1	1		1	1
G	Plate, Block Off	1066107	1	1		1	1		1	1
H	Panel, Division	1065943	1	1		1	1		1	1
J	Post, Electrical Corner	1068193	1	1		1	1		1	1
JJ	Nut, Cap	1067902	4	4		4	4		4	4
K	Bracket, Terminal Board Mtg.	1066106	1	1		1	1		1	1
KK	Baffle, Air	1066364	*	*		1	1		1	1
L	Plate, Conduit	1068179	1	1		1	1		1	1
LL	Plate, Control	1066168	1	1		1	1		1	1
M	Panel, Electrical Access	1068186	1	1		1	1		1	1
MM	Bracket, Filter Top	1065618	1	1		1	1		1	1
N	Panel, Pressure Port	1068164	1	1		1	1		1	1
N1	Panel, Compressor Access	1068176	1	1						
NN	Support, Filter Top	1054502	1	1		1	1		1	1
O	Plate, Pressure Port	1068189	1	1		1	1		1	1
OO	Panel, Coil Support	1082434	1	1		1	1		1	1
PP	Panel, Heating Area	1054508	1	1		1	1		1	1
QQ	Baffle, Coil	1082435	1	1		1	1		1	1
R	Post, Corner	1068172	1	1		1	1		1	1
RR	Panel, Drain Outlet	1068162	1	1		1	1		1	1
S	Rail, Base	1065001	2	2		2	2		2	2
S1	Rail, Base	1054464	1	1		1	1		1	1
S2	Rail, Base	1084078	1	1		1	1		1	1
SS	Panel, Filter Access	1068175	1	1		1	1		1	1
T	Panel, Base	1054463	1	1		1	1		1	1
U	Panel, Return Air	1068160	1	1		1	1		1	1
UU	Post, Return Air	1068168	1	1		1	1		1	1
V	Partition, Return Air	1054471	1	1		1	1		1	1
VV	Post, Center	1068163	1	1		1	1		1	1
WW	Clamp, Capacitor	1095020	1	1						
WW		1095022	*	*		1	1		1	1
X	Pan, Drain	1113589	1	1		1	1		1	1
XX	Panel, Cut Off	95143	1	1						
XX		1065073	*	*		1	1		1	1
Y	Bracket, Evaporator	1098999	1	1		1	1		1	1
YY	Bracket, Blower Support	1065030	*	*		1	1		1	1
Z	Panel, Supply Air	1068161	1	1		1	1		1	1
ZZ	Handle, Filter Door	1068209	1	1		1	1		1	1
)(	Manual, Parts List	513041006	1	1		1	1		1	1
)(	Manual, Installation	513011001	1	1		1	1		1	1

# Parts List, Tech Labels & Wiring Diagrams for PAB & PAMC Series



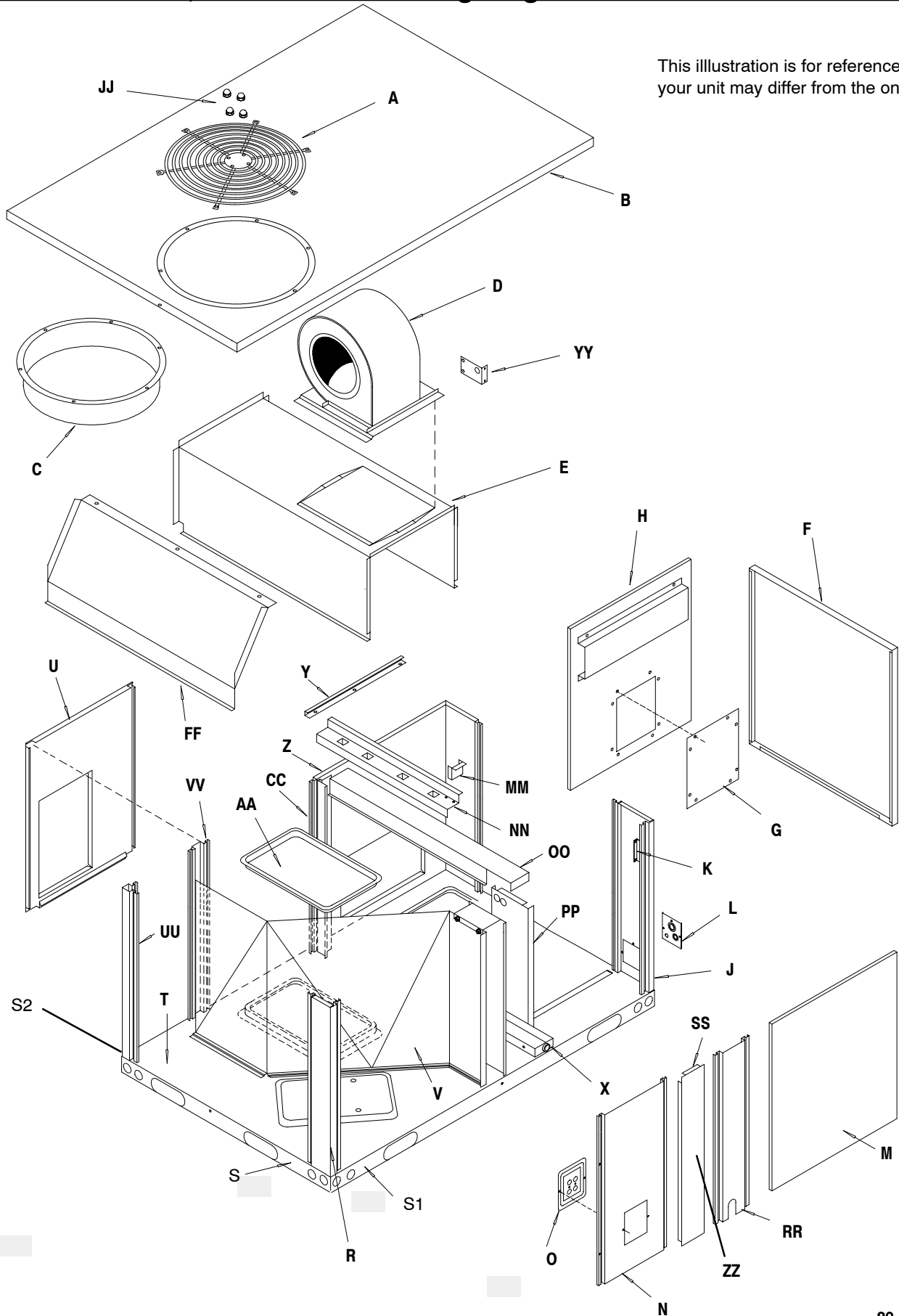
This illustration is for reference only, your unit may differ from the one shown.



80-31-24

# Parts List, Tech Labels & Wiring Diagrams for PAB & PAMC Series

This illustration is for reference only,  
your unit may differ from the one shown.



80-31-25

# Parts List, Tech Labels & Wiring Diagrams for PAB & PAMC Series

## 3 Ton - 230 Volt

<b>Model or Style No.</b> PAB036N1H, PAMC36H		<b>Performance Data: 80°F Dry Bulb Indoor</b>											
<b>Specifications</b>		Coil – Internal					Rated 1200 CFM					.20 ESP Wet.	
<b>Electrical:</b> Voltage/Phase/Hz Branch Circuit Ampacity Wire Size/Max. Ft. Time Delay Fuse Size Max. Fuse/HACR Brk. Boost Transformer	208/230–3–60 17.8 No. 10 / 64' 25 25 –	Low Wet Bulb (63°F)					High Wet Bulb (69°F)						
		Ambient Outdoor °F	Approx. MBTUH	Sens. Total Ratio	PSIG. Liquid (Head)	PSIG. Suct.	Unit Amps	Ambient Outdoor °F	Approx. MBTUH	Sens. Total Ratio	PSIG. Liquid (Head)	PSIG. Suct.	Unit Amps
		65	34.7	0.88	171	65	10.2	65	38.0	0.62	185	75	10.7
		75	34.0	0.90	192	69	10.9	75	37.2	0.64	207	79	11.5
		85	33.4	0.92	218	73	11.6	85	36.5	0.66	235	83	12.2
		95	32.5	0.94	248	76	12.3	95	35.6	0.67	268	87	13.0
105	31.0	0.95	278	79	18.0	105	33.9	0.68	301	90	19.0		
115	28.4	0.95	307	82	19.0	115	31.0	0.68	332	94	20.0		
<b>Fan Motor:</b> H.P./Type FLA/LRA Speeds/CFM Cap. MFD/Volts		<b>COND. EVAP.</b> 3 / 4PSC 1 / 2 PSC 2.6 / 9.52 4.0 / 7.09 1 / 3500 4 / 1665 10 / 440 7.5 / 370		<b>Blower Performance Data</b> (Add 0.05 In. W.C. for wet coil)									
<b>External Static Pressure</b>  Inches of W. C.		<b>CFM @ 230V – Dry Coil (No filter)</b>											
		TAP	LOW	MED L	MED H	HIGH							
		.10	—	—	—	—							
		.20	—	1430	1558	1665							
		.30	1235	1408	1522	1617							
		.40	1173	1375	1480	1566							
		.50	1158	1332	1428	1507							
		.60	1152	1275	1365	1437							
		.70	1115	1205	1285	1353							
		<b>CFM @ 208V – Dry Coil (No filter)</b>											
		TAP	LOW	MED L	MED H	HIGH							
		.10	—	—	—	—							
		.20	—	1225	1358	1500							
		.30	1123	1217	1339	1475							
.40	1113	1202	1316	1439									
.50	1095	1178	1287	1398									
.60	1064	1140	1245	1345									
.70	1016	1085	1187	1268									
<b>Compressor:</b> FLA/LRA Run Cap. MFD./Volts Acc. Start Kit		COPELAND 9.0 / 70.0 — — — — — — — —		1068223 2–14–95 AH–1									
<b>Service Driers:</b> Liquid/Charge Suction		30 cu in / 17oz 30 sq in											
<b>Ref. Charge (R-22 Oz.)</b>		104											
<b>Clearances</b> See Installation Instructions													
<b>Note: Optimum operating charge will produce 15° – 25° F suction line superheat at compressor with 82° F outdoor ambient and 80° F Dry Bulb (67° F Wet Bulb) indoor temperature at rated airflow.</b>													

## 3 Ton - 460 Volt

<b>Model or Style No.</b> PAB036N1L, PAMC36F		<b>Performance Data: 80°F Dry Bulb Indoor</b>													
<b>Specifications</b>		Coil – Internal					Rated 1200 CFM					.20 ESP Wet.			
<b>Electrical:</b> Voltage/Phase/Hz Branch Circuit Ampacity Wire Size/Max. Ft. Time Delay Fuse Size Max. Fuse/HACR Brk. Boost Transformer	460–3–60 9.1 15 15 – – – –	Low Wet Bulb (63°F)					High Wet Bulb (69°F)								
		Ambient Outdoor °F	Approx. MBTUH	Sens. Total Ratio	PSIG. Liquid (Head)	PSIG. Suct.	Unit Amps	Ambient Outdoor °F	Approx. MBTUH	Sens. Total Ratio	PSIG. Liquid (Head)	PSIG. Suct.	Unit Amps		
		65	34.7	0.88	171	65	4.3	65	38.0	0.62	185	75	4.6		
		75	34.0	0.90	192	69	4.6	75	37.2	0.64	207	79	4.9		
		85	33.4	0.92	218	73	4.9	85	36.5	0.66	235	83	5.2		
		95	32.7	0.94	248	76	5.2	95	35.6	0.67	268	87	5.5		
105	31.0	0.95	278	79	5.5	105	33.9	0.68	301	90	5.8				
115	28.4	0.95	307	82	5.8	115	31.0	0.68	332	94	6.1				
<b>Fan Motor:</b> H.P./Type FLA/LRA Speeds/CFM Cap. MFD/Volts		<b>COND. EVAP.</b> 3 / 4 PSC 1 / 2 PSC 1.4 / 4.8 2.0 / 3.6 1 / 3500 4 / 1200 10 / 440 7.5 / 370		<b>Blower Performance Data</b> (Add 0.05 In. W.C. for wet coil)											
<b>External Static Pressure</b>  Inches of W. C.		<b>CFM @ 460V – Dry Coil (No filter)</b>													
		TAP	LOW	MED L	MED H	HIGH									
		.10	—	—	—	—									
		.20	—	1430	1558	1665									
		.30	1235	1408	1522	1617									
		.40	1173	1375	1480	1566									
		.50	1158	1332	1428	1507									
		.60	1152	1275	1365	1437									
		.70	1115	1205	1285	1353									
		<b>Compressor:</b> FLA/LRA Run Cap. MFD./Volts Acc. Start Kit		COPELAND 4.6 / 33.0 — — — — — — — —		1068227 3–15–95 AH–1									
		<b>Service Driers:</b> Liquid/Charge Suction		30 cu in / 17oz 30 sq in											
		<b>Ref. Charge (R-22 Oz.)</b>		104											
		<b>Clearances</b> See Installation Instructions													
		<b>Note: Optimum operating charge will produce 15° – 25° F suction line superheat at compressor with 82° F outdoor ambient and 80° F dry bulb (67° F wet bulb) indoor temperature at rated airflow.</b>													

# Parts List, Tech Labels & Wiring Diagrams for PAB & PAMC Series

## 3 Ton - 575 Volt

Model or Style No. PAB036N1S, PAMC36N		Performance Data: 80°F Dry Bulb Indoor											
Specifications		Coil - Internal					Rated 1200 CFM					.20 ESP Wet.	
<b>Electrical:</b> Voltage/Phase/Hz Branch Circuit Ampacity Time Delay Fuse Size Max. Fuse/HACR Brk. Boost Transformer	575-3-60 7.4 15 15 - - - -	Low Wet Bulb (63°F)					High Wet Bulb (69°F)						
		Ambient Outdoor °F	Approx. MBTUH	Sens. Total Ratio	PSIG. Liquid (Head)	PSIG. Suct.	Unit Amps	Ambient Outdoor °F	Approx. MBTUH	Sens. Total Ratio	PSIG. Liquid (Head)	PSIG. Suct.	Unit Amps
		65	34.7	0.88	171	65	4.3	65	38.0	0.62	185	75	4.6
		75	34.0	0.90	192	69	4.6	75	37.2	0.64	207	79	4.9
		85	33.4	0.92	218	73	4.9	85	36.5	0.66	235	83	5.2
		95	32.7	0.94	248	76	5.2	95	35.6	0.67	268	87	5.5
105	31.0	0.95	278	79	5.5	105	33.9	0.68	301	90	5.8		
115	28.4	0.95	307	82	5.8	115	31.0	0.68	332	94	6.1		
<b>Fan Motor:</b> H.P./Type FLA/LRA Speeds/CFM Cap. MFD/Volts	<b>COND. EVAP.</b> 3 / 4 PSC 1 / 2 PSC 1.2 / 3.6 1.6 / 2.9 1 / 3500 4 / 1665 10 / 440 7.5 / 370	Blower Performance Data (Add 0.05 In. W.C. for wet coil)											
<b>Compressor:</b> FLA/LRA Run Cap. MFD./Volts Acc. Start Kit	COPELAND 3.7 / 27 - - - - - - - -	CFM @ 575V - Dry Coil (No filter)											
		TAP	LOW	MED L	MED H	HIGH							
		.10									1712		
		.20			1430	1558							
		.30	1235	1408	1522								
		.40	1173	1375	1480								
		.50	1158	1332	1428								
		.60	1152	1275	1365								
		.70	1115	1205	1285								
		External Static Pressure Inches of W. C.											
<b>Service Driers:</b> Liquid/Charge Suction	30 cu in / 17oz 30 sq in												
<b>Ref. Charge (R-22 Oz.)</b>	104												
<b>Clearances</b> See Installation Instructions													
Note: Optimum operating charge will produce 15° - 25° F suction line superheat at compressor with 82° F outdoor ambient and 80° F dry bulb (67° F wet bulb) indoor temperature at rated airflow.											1068231 3-13-95 AH-1		

## 4 Ton - 230 Volt

Style No: PAB048N1H / PAMC48H		Outdoor Ambient Temperature - Degrees F. Dry Bulb																									
		75				85				95				105				115									
		Entering Indoor Temperature - Degrees F. Wet Bulb																									
		IDB		59		63		67		71		59		63		67		71		59		63		67		71	
Voltage	208 / 230	70	MBh	41.8	43.3	47.5	-	40.8	42.3	46.4	-	39.8	41.3	45.2	-	37.8	39.2	43.0	-	35.0	36.3	39.8	-				
Phase	3		S/T	0.77	0.65	0.45	-	0.79	0.66	0.46	-	0.82	0.68	0.47	-	0.85	0.71	0.49	-	0.86	0.72	0.50	-				
Ampacity	24	75	AMPS	14.6	14.8	15.2	-	15.5	15.8	16.1	-	16.3	16.5	17.0	-	17.0	17.3	17.8	-	17.8	18.1	18.6	-				
Wire Ga/Ft	10 / 50		HI PR	191	206	217	-	217	234	247	-	248	266	281	-	278	300	316	-	308	331	350	-				
Delay Fuse	30	80	LO PR	61	65	71	-	63	68	74	-	67	71	77	-	70	74	81	-	72	77	84	-				
Max. Fuse	35		MBh	42.5	43.8	47.4	50.9	41.5	42.7	46.3	49.7	40.5	41.7	45.1	48.4	38.5	39.6	42.9	46.0	35.6	36.7	39.7	42.6				
Compressor	COPELAND	85	S/T	0.88	0.79	0.60	0.38	0.90	0.81	0.61	0.39	0.93	0.83	0.63	0.41	0.97	0.86	0.65	0.42	0.98	0.87	0.66	0.42				
RLA	13.11		AMPS	14.7	14.9	15.3	15.7	15.6	15.9	16.2	16.7	16.4	16.7	17.1	17.6	17.1	17.5	17.9	18.4	17.9	18.3	18.7	19.3				
LRA	91	85	HI PR	193	208	219	229	220	236	249	260	250	269	284	296	281	303	320	333	311	334	353	368				
Cap MFD/V	-		LO PR	62	66	72	76	64	68	74	79	67	72	78	83	71	75	82	87	73	78	85	90				
CC Heater	NONE	85	MBh	44.0	44.9	47.0	50.2	43.0	43.8	45.9	49.0	41.9	42.8	44.8	47.8	39.8	40.6	42.5	45.4	36.9	37.6	39.4	42.0				
Start Kit	NONE		S/T	1.00	0.98	0.88	0.72	1.00	1.00	0.90	0.73	1.00	1.00	0.93	0.76	1.00	1.00	0.97	0.79	1.00	1.00	0.98	0.79				
Cond & Evap	Cond Evap	85	AMPS	14.9	15.1	15.5	15.9	15.8	16.1	16.5	16.9	16.6	16.9	17.3	17.8	17.4	17.7	18.2	18.7	18.2	18.5	19.0	19.6				
Type	Fan Blower		HI PR	197	212	224	233	224	241	255	265	255	275	290	302	287	309	326	340	317	341	360	376				
Size	22 DD10-9	85	LO PR	63	67	73	78	65	70	76	81	69	73	80	85	72	77	84	89	74	79	86	92				
Motor-HP	1/2 1/2		Air Delivery in CFM - Dry Coil - No Filter (Add .05 static for Wet Coil)																								
Type	PSC PSC	230 Volt		External Static Press (Inch Water Column)							208 Volt		External Static Press (Inch Water Column)														
FLA	2.6 5	Operating Chg (R-22 Oz)		Speed Tap		0.1	0.2	0.3	0.4	0.5	0.6	0.7	Speed Tap		0.1	0.2	0.3	0.4	0.5	0.6	0.7						
LRA	9.52 8.75	126		2184	2124	2062	1997	1928	1854	1773	HI		2015	1971	1918	1859	1794	1725	1652								
RPM	1145 1125			2039	1990	1936	1877	1814	1746	1672	MD HI		1811	1780	1741	1694	1641	1583	1519								
Cap MFD/V	10/440 15/370			1638	1614	1584	1549	1507	1457	1398	MD LO		1378	1366	1349	1326	1296	1257	1207								
PTCR	NONE			1285	1277	1263	1242	1212	1174	1127	LO		1061	1052	1040	1023	1000	970	933								
Hi Press	NONE			1082394																							
Low Press	NONE																										

# Parts List, Tech Labels & Wiring Diagrams for PAB & PAMC Series

## 4 Ton - 460 Volt

Style No:	PAB048N1L / PAMC48F		Outdoor Ambient Temperature - Degrees F. Dry Bulb																			
			75				85				95				105				115			
			Entering Indoor Temperature - Degrees F. Wet Bulb																			
IDB			59	63	67	71	59	63	67	71	59	63	67	71	59	63	67	71	59	63	67	71
Voltage	460																					
Phase	3																					
Ampacity	12.1																					
Wire Ga/Ft	12 / 62																					
Delay Fuse	15																					
Max. Fuse	15																					
Compressor	COPELAND																					
RLA	6.56																					
LRA	46																					
Cap MFD/V	-																					
CC Heater	-																					
Start Kit	NONE																					
Cond & Evap	Cond	Evap																				
Type	Fan	Blower																				
Size	22	DD10-9																				
Motor-HP	1/2	1/2																				
Type	PSC	PSC																				
FLA	1.4	5																				
LRA	5.04	8.75																				
RPM	1145	1125																				
Cap MFD/V	10/440	15/370																				
PTCR	NONE																					
Hi Press	NONE																					
Low Press	NONE																					
			Air Delivery in CFM - Dry Coil - No Filter ( Add .05 static for Wet Coil)																			
Operating Chg (No Lines)*	(R-22 Oz)	126	230 Volt		External Static Press (Inch Water Column)																	
			Speed Tap	0.1	0.2	0.3	0.4	0.5	0.6	0.7												
Service Driers			HI	2184	2124	2062	1997	1928	1854	1773												
Liquid/Chg	30 Cu In / 17 oz		MD HI	2039	1990	1936	1877	1814	1746	1672	1082395											
Suction	30 Sq In		MD LO	1638	1614	1584	1549	1507	1457	1398												
Unit Weight			LO	1285	1277	1263	1242	1212	1174	1127												

## 4 Ton - 575 Volt

Style No:	PAB048N1S / PAMC48N		Outdoor Ambient Temperature - Degrees F. Dry Bulb																			
			75				85				95				105				115			
			Entering Indoor Temperature - Degrees F. Wet Bulb																			
IDB			59	63	67	71	59	63	67	71	59	63	67	71	59	63	67	71	59	63	67	71
Voltage	575																					
Phase	3																					
Ampacity	10.4																					
Wire Ga/Ft	12 / 62																					
Delay Fuse	15																					
Max. Fuse	15																					
Compressor	COPELAND																					
FLA	5.8																					
LRA	40																					
Cap MFD/V	-																					
CC Heater	-																					
Start Kit	NONE																					
Cond & Evap	Cond	Evap																				
Type	Fan	Blower																				
Size	22	DD11-11																				
Motor-HP	3/4	3/4																				
Type	PSC	PSC																				
FLA	1.2	2																				
LRA	3.6	3.5																				
RPM	1155	1125																				
Cap MFD/V	10/440	15/370																				
PTCR	NONE																					
Hi Press	NONE																					
Low Press	NONE																					
			Air Delivery in CFM - Dry Coil - No Filter ( Add .05 static for Wet Coil)																			
Operating Chg (No Lines)*	(R-22 Oz)	126	230 Volt		External Static Press (Inch Water Column)																	
			Speed Tap	0.1	0.2	0.3	0.4	0.5	0.6	0.7												
Service Driers			HI	2184	2124	2062	1997	1928	1854	1773												
Liquid/Chg	30 Cu In / 17 oz		MD HI	2039	1990	1936	1877	1814	1746	1672	1097761											
Suction	30 Sq In		MD LO	1638	1614	1584	1549	1507	1457	1398												
Unit Weight			LO	1285	1277	1263	1242	1212	1174	1127												

# Parts List, Tech Labels & Wiring Diagrams for PAB & PAMC Series

## 5 Ton - 230 Volt

Style No:		PAB060N1H / PAMC60H		Outdoor Ambient Temperature - Degrees F. Dry Bulb																																																							
				75				85				95				105				115																																							
				Entering Indoor Temperature - Degrees F. Wet Bulb																																																							
				59				63				67				71				75																																							
Voltage	208 / 230	IDB	MBh	54.4	56.3	61.7	-	53.1	55.0	60.3	-	51.8	53.7	58.8	-	49.2	51.0	55.9	-	45.6	47.2	51.7	-																																				
Phase	3			70	S/T	0.75	0.63	0.44	-	0.77	0.65	0.45	-	0.80	0.67	0.46	-	0.83	0.69	0.48	-	0.84	0.70	0.48	-																																		
Ampacity	34.2					75	AMPS	21.4	21.8	22.4	-	22.9	23.3	24.0	-	24.2	24.6	25.3	-	25.4	25.9	26.7	-	26.7	27.2	28.0	-																																
Wire Ga/Ft	8 / 60							80	HI PR	199	214	226	-	226	244	257	-	258	277	293	-	290	312	330	-	321	345	364	-																														
Delay Fuse	50									85	LO PR	60	64	70	-	63	67	73	-	66	70	76	-	69	73	80	-	71	76	83	-																												
Max. Fuse	40											Cond	Fan	Blower	DD11-11	1	PSC	PSC	2.6	5	9.52	8.75	1145	1140	10/440	20/370	230 Volt	External Static Press (Inch Water Column)								208 Volt	External Static Press (Inch Water Column)																						
Compressor	COPELAND																											230 Volt	Speed Tap	0.1	0.2	0.3	0.4	0.5	0.6		0.7	Speed Tap	0.1	0.2	0.3	0.4	0.5	0.6	0.7														
RLA	21.28																																													2184	2124	2062	1997	1928	1854	1773	2015	1971	1918	1859	1794	1725	1652
LRA	128																																													2039	1990	1936	1877	1814	1746	1672	1811	1780	1741	1694	1641	1583	1519
Cap MFD/V	-																																													1638	1614	1584	1549	1507	1457	1398	1378	1366	1349	1326	1296	1257	1207
CC Heater	-	1285	1277																																											1263	1242	1212	1174	1127	1061	1052	1040	1023	1000	970	933		
Start Kit	-	Air Delivery in CFM - Dry Coil - No Filter ( Add .05 static for Wet Coil)																																																									
Cond & Evap	Cond	Evap	Operating Chg (No Lines)*																																																								
Type	Fan	Blower	99																																																								
Size	22	DD11-11	Service Driers																																																								
Motor-HP	3 / 4	1	30 Cu In / 17 oz																																																								
Type	PSC	PSC	Suction																																																								
FLA	2.6	5	30 Sq In																																																								
LRA	9.52	8.75	Unit Weight																																																								
RPM	1145	1140	LO																																																								
Cap MFD/V	10/440	20/370	LO																																																								
Hi Press			LO																																																								
Low Press			LO																																																								
Operating Chg (No Lines)*	(R-22 Oz)		LO																																																								
Service Driers			LO																																																								
Liquid/Chg	30 Cu In / 17 oz		LO																																																								
Suction	30 Sq In		LO																																																								
Unit Weight			LO																																																								



# Parts List, Tech Labels & Wiring Diagrams for PAB & PAMC Series

## 5 Ton - 460 Volt

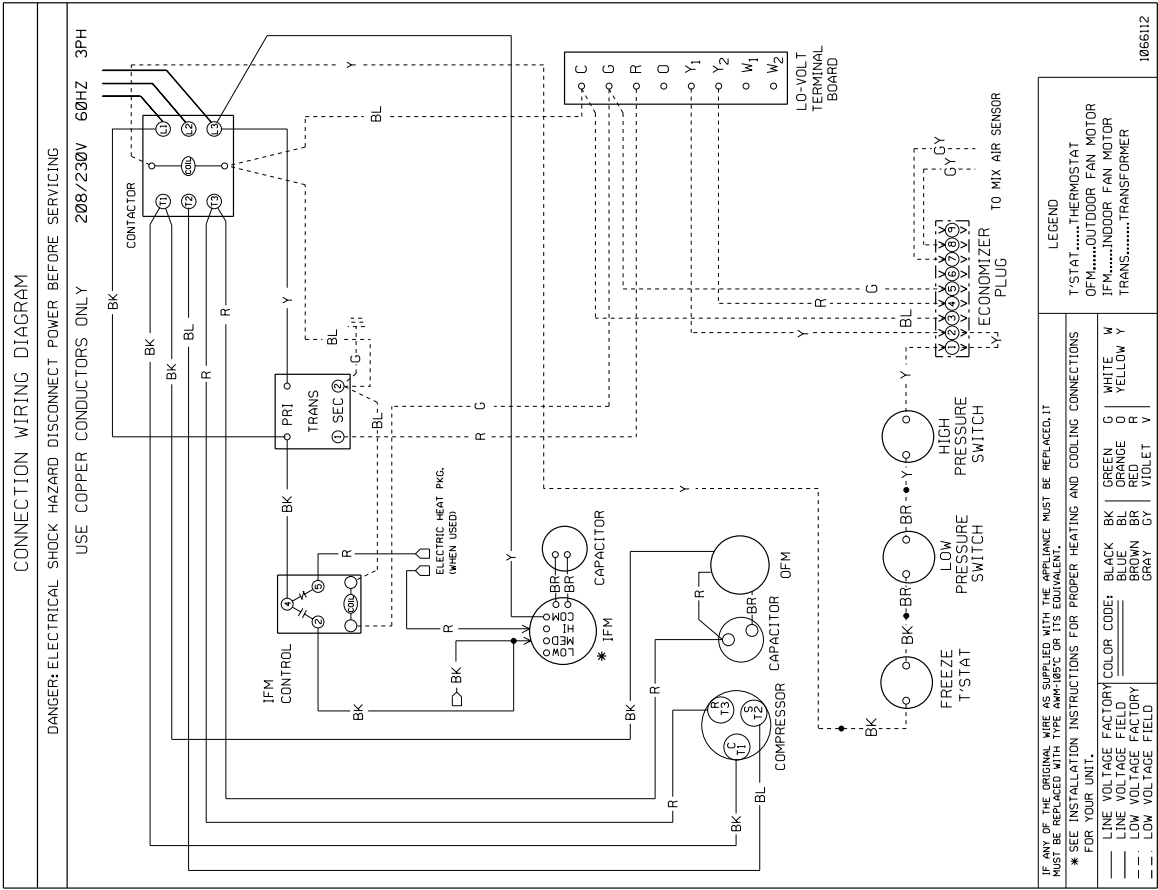
Style No: PAB060N1L / PAMC60F		Outdoor Ambient Temperature - Degrees F. Dry Bulb																			
		75				85				95				105				115			
		Entering Indoor Temperature - Degrees F. Wet Bulb																			
		59	63	67	71	59	63	67	71	59	63	67	71	59	63	67	71	59	63	67	71
Voltage	460																				
Phase	3																				
Ampacity	15.3																				
Wire Ga/Ft	12 / 48																				
Delay Fuse	20																				
Max. Fuse	20																				
Compressor	COPELAND																				
RLA	9.12																				
LRA	63																				
Cap MFD/V	-																				
CC Heater	-																				
Start Kit	-																				
Cond & Evap	Cond	Evap																			
Type	Fan	Blower																			
Size	22	DD11-11																			
Motor-HP	3 / 4	1																			
Type	PSC	PSC																			
FLA	1.4	5																			
LRA	5.04	8.75																			
RPM	1145	1140																			
Cap MFD/V	10/440	20/370																			
PTCR																					
Hi Press																					
Low Press			Air Delivery in CFM - Dry Coil - No Filter ( Add .05 static for Wet Coil)																		
Operating Chg (No Lines)*	(R-22 Oz) 99																				
Service Driers																					
Liquid/Chg	30 Cu In / 17 oz																				
Suction	30 Sq In																				
Unit Weight																					

## 5 Ton - 575 Volt

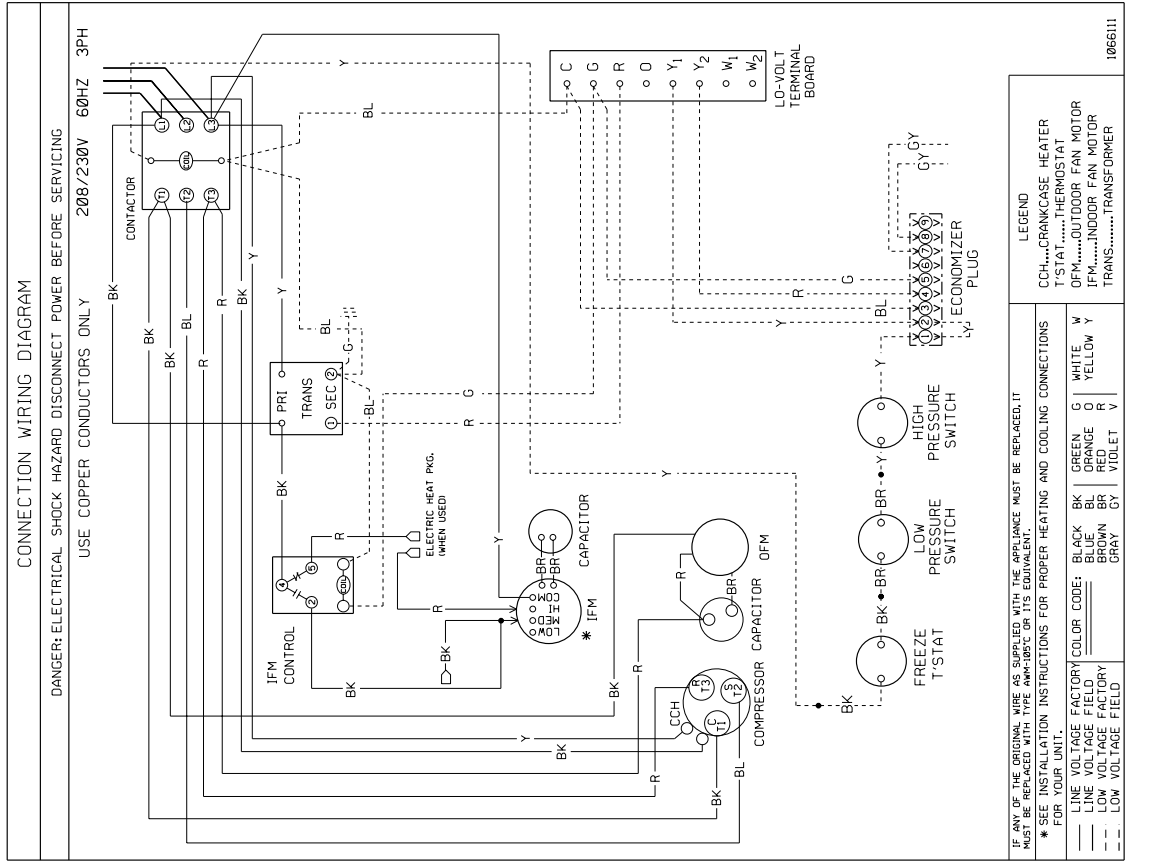
Style No: PAB060N1S / PAMC60N		Outdoor Ambient Temperature - Degrees F. Dry Bulb																			
		75				85				95				105				115			
		Entering Indoor Temperature - Degrees F. Wet Bulb																			
		59	63	67	71	59	63	67	71	59	63	67	71	59	63	67	71	59	63	67	71
Voltage	575																				
Phase	3																				
Ampacity	13.9																				
Wire Ga/Ft	12 / 61																				
Delay Fuse	15																				
Max. Fuse	20																				
Compressor	COPELAND																				
RLA	8.55																				
LRA	49																				
Cap MFD/V	-																				
CC Heater	-																				
Start Kit	-																				
Cond & Evap	Cond	Evap																			
Type	Fan	Blower																			
Size	22	DD11-11																			
Motor-HP	3 / 4	1																			
Type	PSC	PSC																			
FLA	1.02	5																			
LRA	3.9	8.75																			
RPM	1145	1140																			
Cap MFD/V	10/440	20/370																			
PTCR																					
Hi Press																					
Low Press			Air Delivery in CFM - Dry Coil - No Filter ( Add .05 static for Wet Coil)																		
Operating Chg (No Lines)*	(R-22 Oz) 99																				
Service Driers																					
Liquid/Chg	30 Cu In / 17 oz																				
Suction	30 Sq In																				
Unit Weight																					

# Parts List, Tech Labels & Wiring Diagrams for PAB & PAMC Series 230 Volt

## 4 & 5 Ton Models



## 3 Ton Models

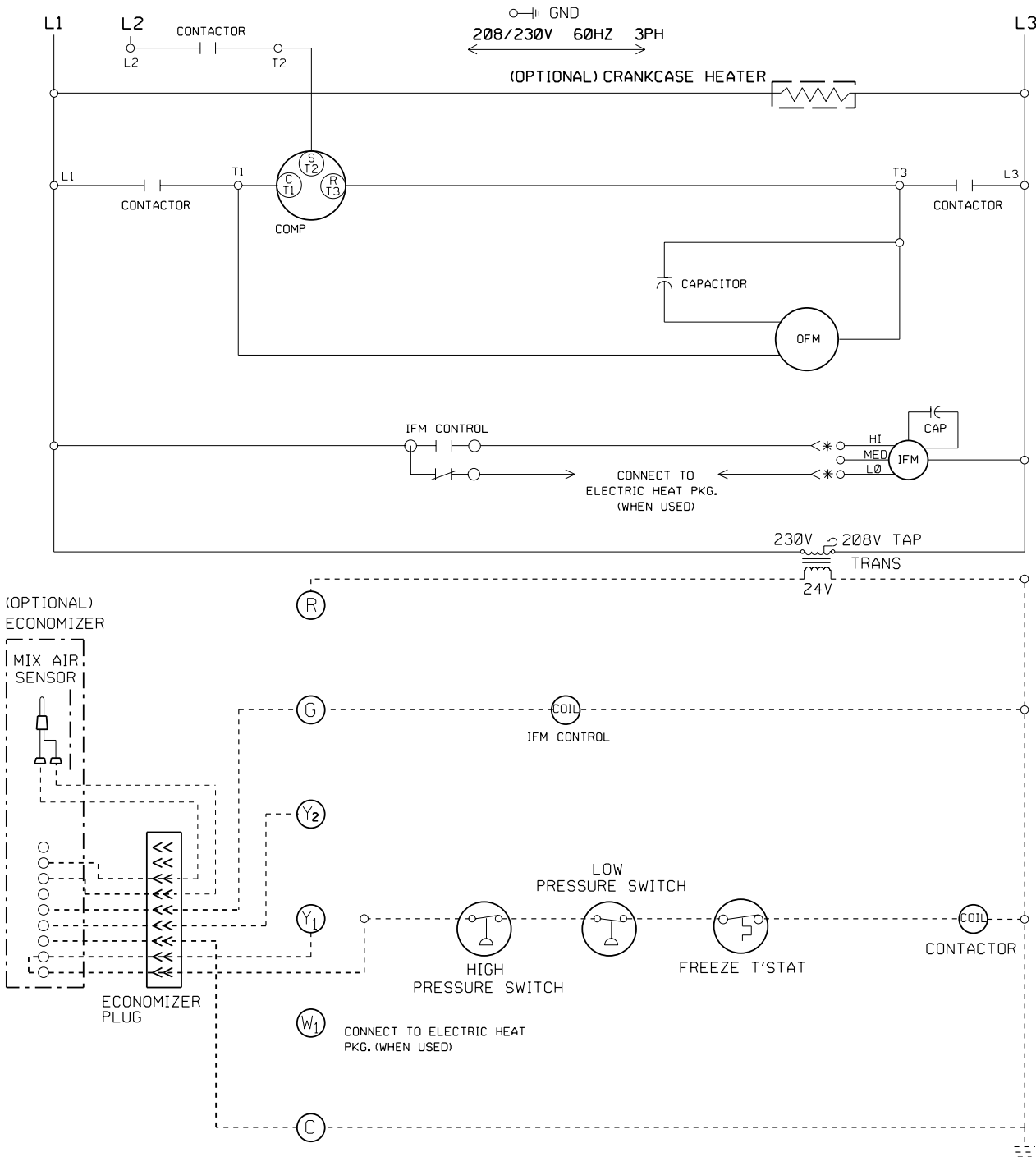


**Parts List, Tech Labels & Wiring Diagrams for PAB & PAMC Series**

**LADDER WIRING DIAGRAM:  
ALL MODELS  
230 Volt**

LADDER WIRING DIAGRAM

DANGER: ELECTRICAL SHOCK HAZARD DISCONNECT POWER BEFORE SERVICING



\* SEE INSTALLATION INSTRUCTIONS FOR PROPER HEATING AND COOLING CONNECTIONS FOR YOUR UNIT.

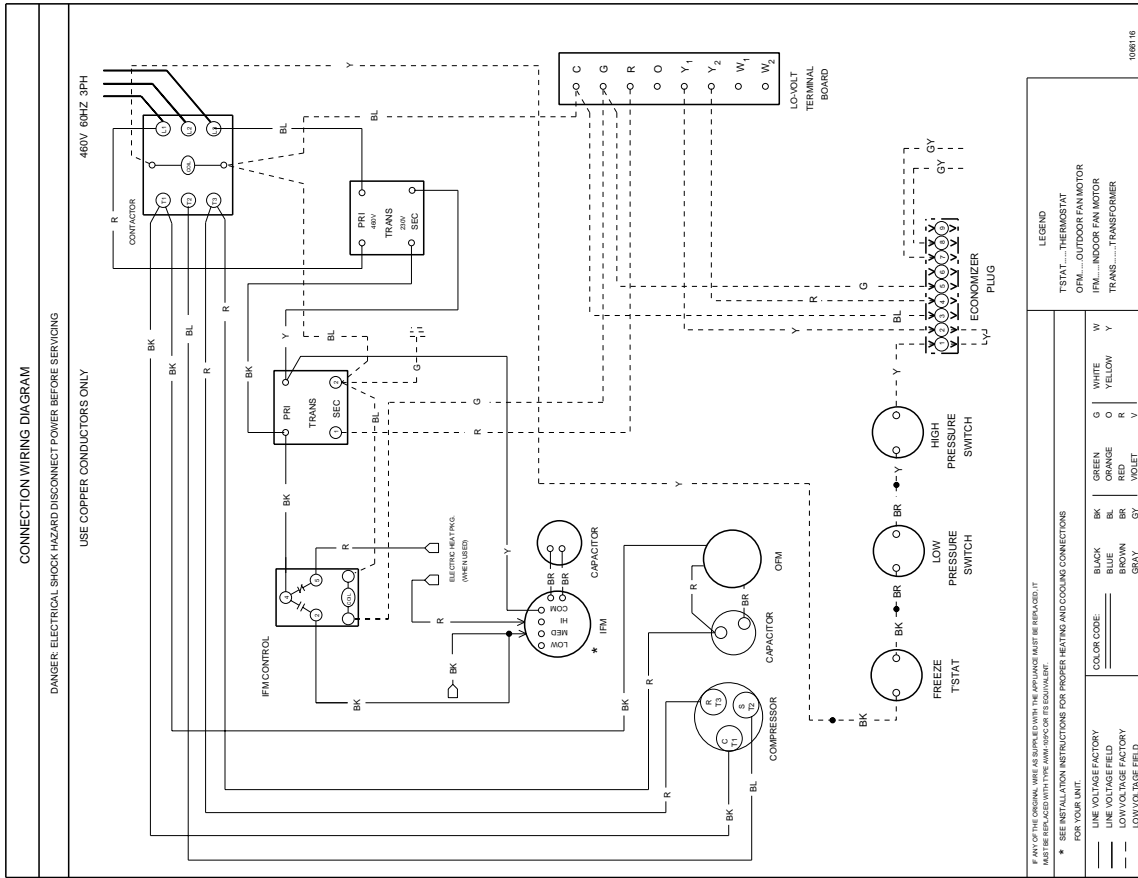
LEGEND

- |                           |                       |
|---------------------------|-----------------------|
| COMP.....COMPRESSOR       | GND.....GROUND        |
| CAP.....CAPACITOR         | TRANS..TRANSFORMER    |
| OFM.....OUTDOOR FAN MOTOR | T'STAT.....THERMOSTAT |
| IFM.....INDOOR FAN MOTOR  |                       |

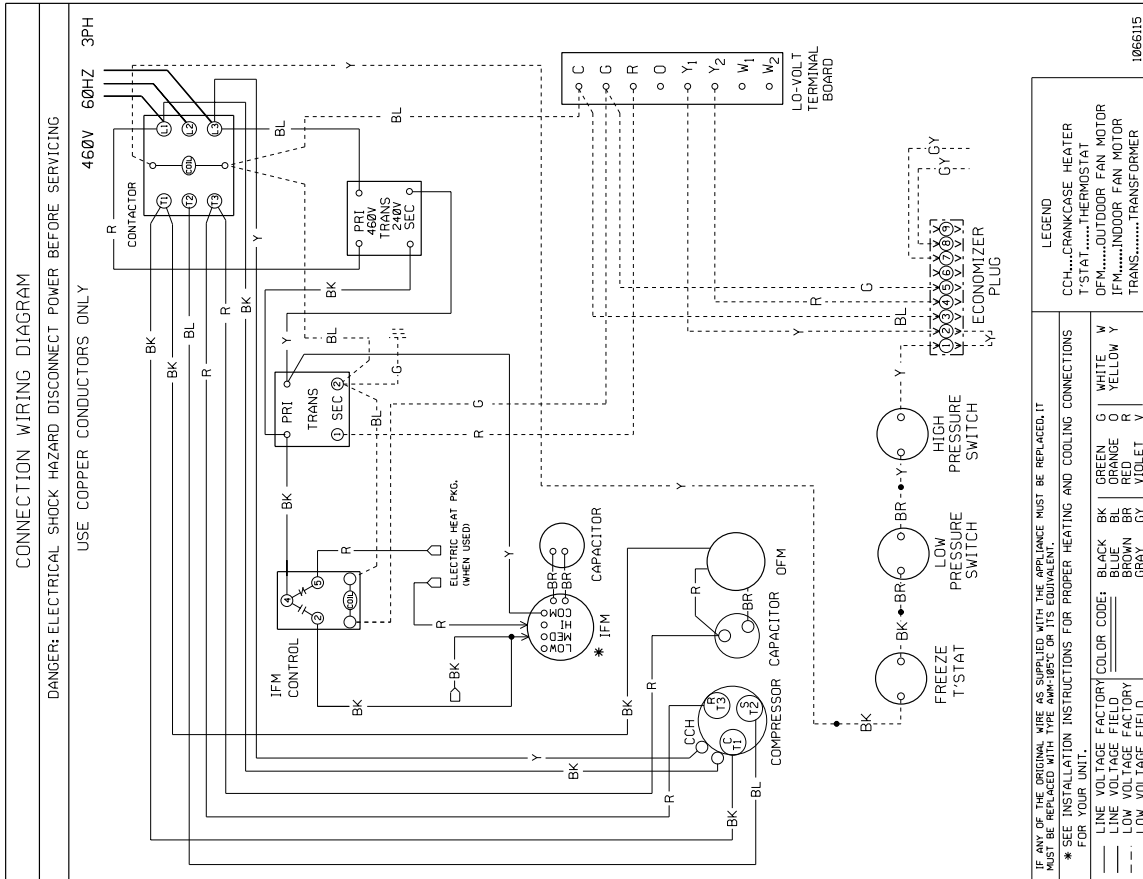
1066189

# Parts List, Tech Labels & Wiring Diagrams for PAB & PAMC Series 460 Volt

## 4 & 5 Ton Models



## 3 Ton Models

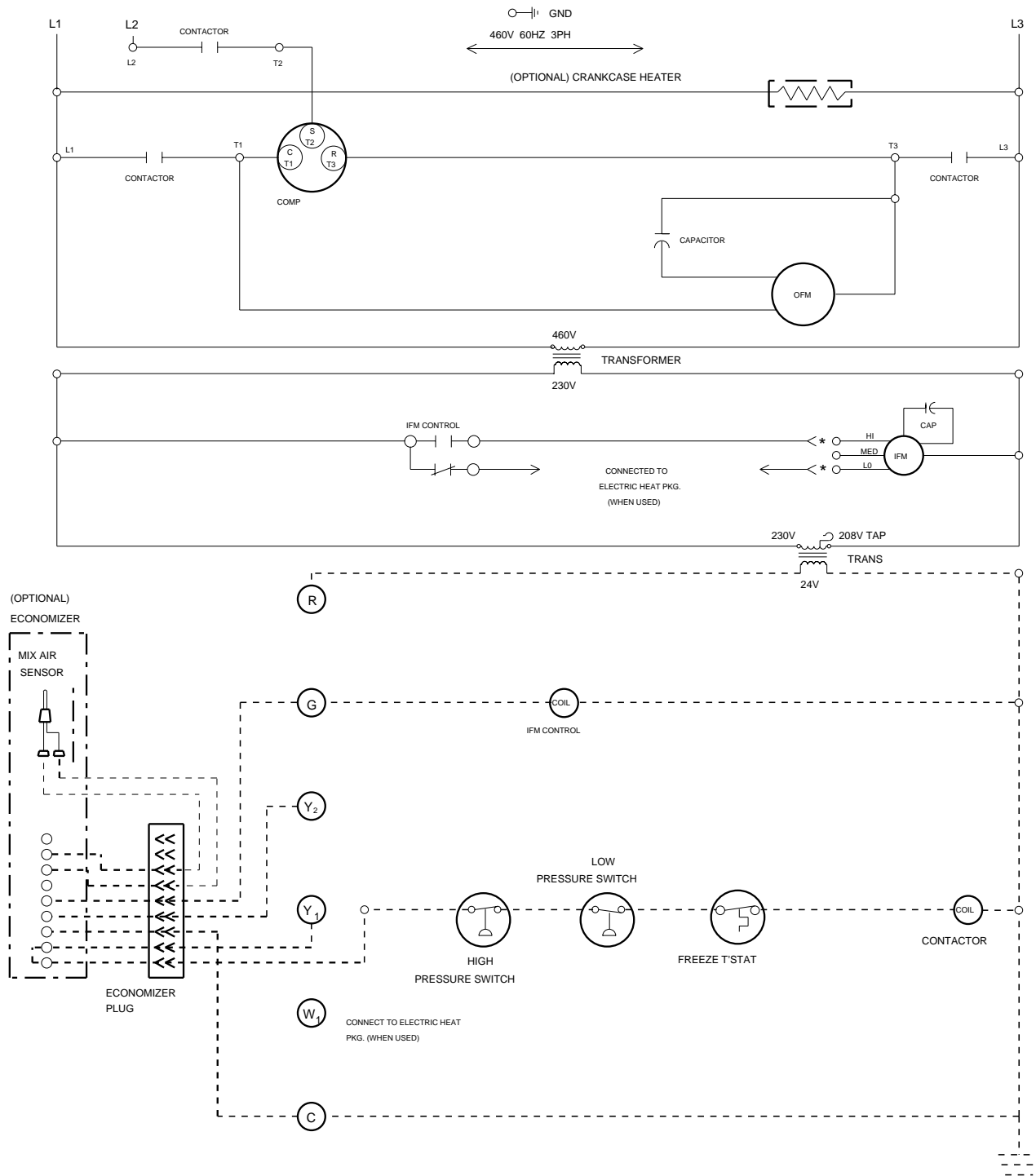


# Parts List, Tech Labels & Wiring Diagrams for PAB & PAMC Series

## LADDER WIRING DIAGRAM: ALL MODELS 460 Volt

### LADDER WIRING DIAGRAM

DANGER: ELECTRICAL SHOCK HAZARD DISCONNECT POWER BEFORE SERVICING



\* SEE INSTALLATION INSTRUCTIONS FOR PROPER HEATING AND COOLING CONNECTIONS FOR YOUR UNIT.

#### LEGEND

COMP.....COMPRESSOR  
CAP.....CAPACITOR  
OFM.....OUTDOOR FAN MOTOR  
IFM.....INDOOR FAN MOTOR

GND.....GROUND  
TRANS..TRANSFORMER  
T'STAT.....THERMOSTAT

1066190

# Parts List, Tech Labels & Wiring Diagrams for PAB & PAMC Series

## CONNECTION WIRING DIAGRAM

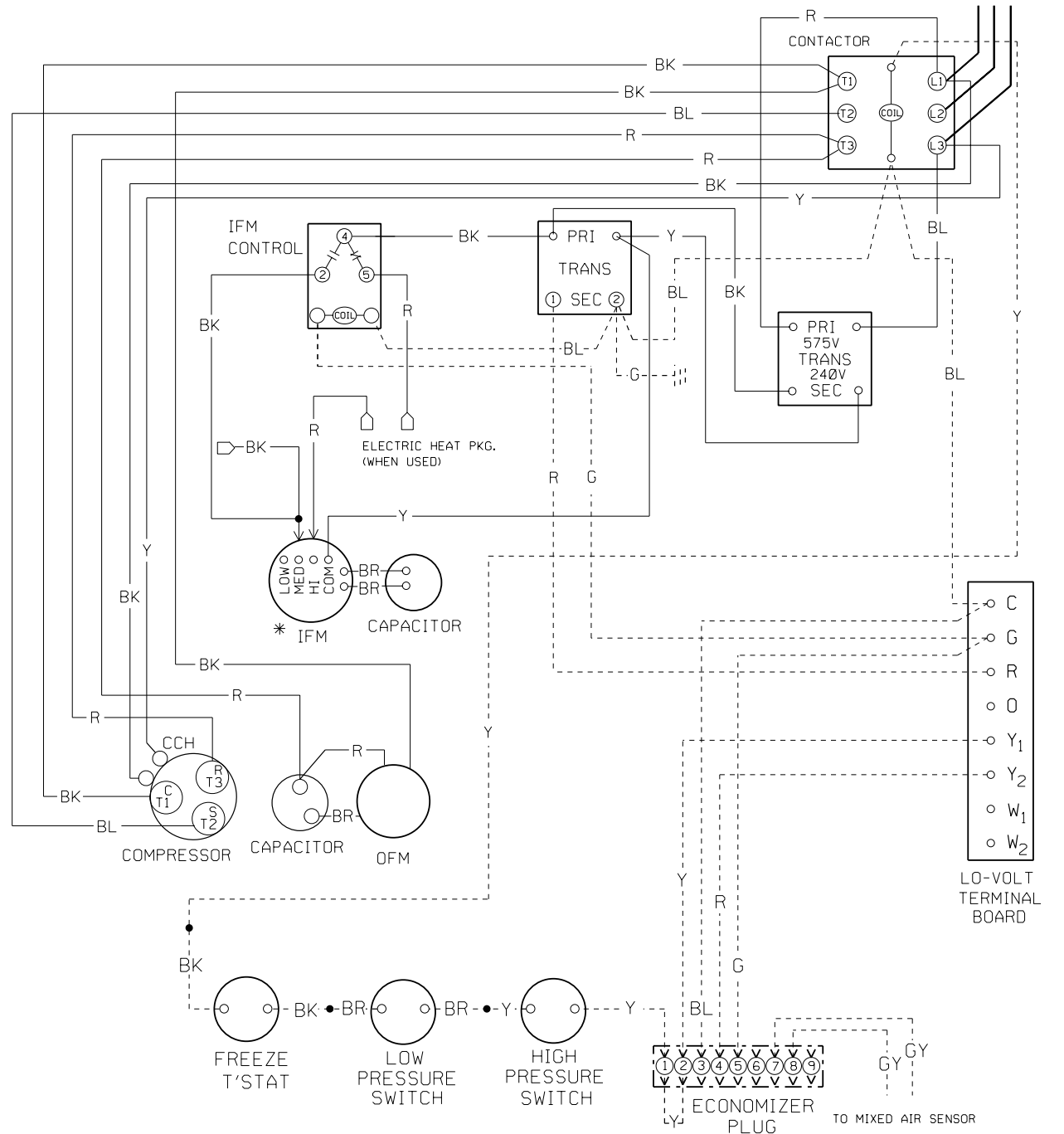
### 3 TON - 575V

#### CONNECTION WIRING DIAGRAM

DANGER: ELECTRICAL SHOCK HAZARD DISCONNECT POWER BEFORE SERVICING

USE COPPER CONDUCTORS ONLY

575V 60HZ 3PH



IF ANY OF THE ORIGINAL WIRE AS SUPPLIED WITH THE APPLIANCE MUST BE REPLACED, IT MUST BE REPLACED WITH TYPE AWM-105°C OR ITS EQUIVALENT.

\* SEE INSTALLATION INSTRUCTIONS FOR PROPER HEATING AND COOLING CONNECTIONS FOR YOUR UNIT.

— LINE VOLTAGE FACTORY  
 - - - LINE VOLTAGE FIELD  
 - - - LOW VOLTAGE FACTORY  
 - - - LOW VOLTAGE FIELD

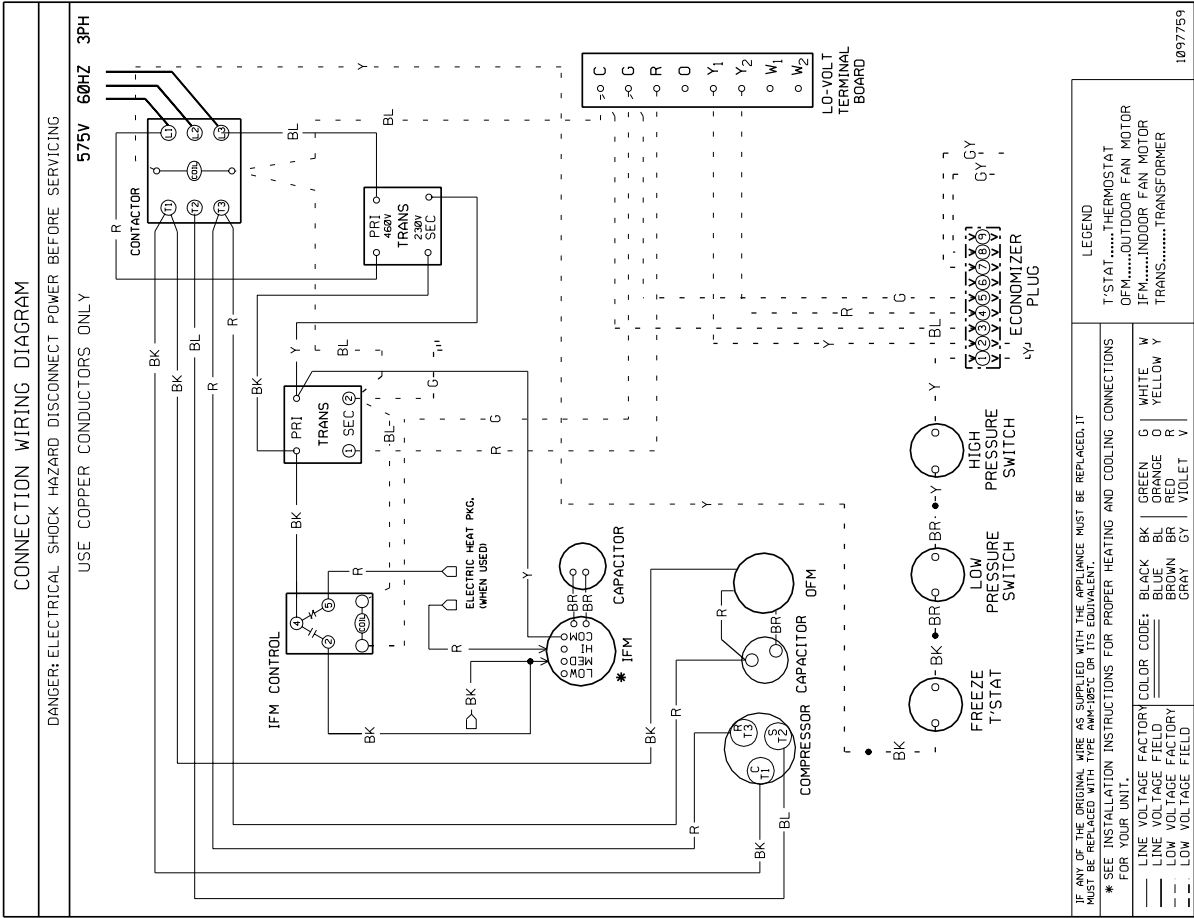
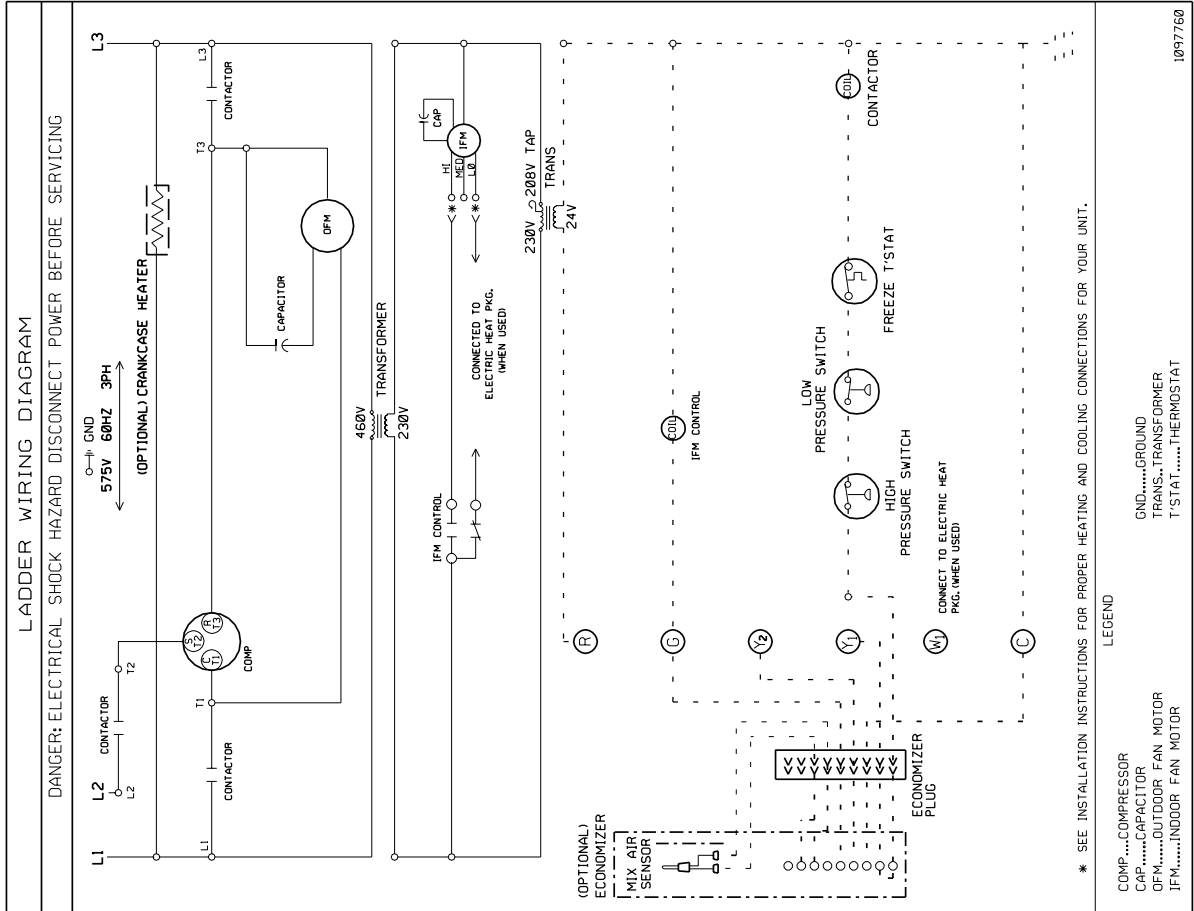
COLOR CODE:	BLACK BK	GREEN G	WHITE W
	BLUE BL	ORANGE O	YELLOW Y
	BROWN BR	RED R	
	GRAY GY	VIOLET V	

#### LEGEND

CCH.....CRANKCASE HEATER  
 T'STAT.....THERMOSTAT  
 OFM.....OUTDOOR FAN MOTOR  
 IFM.....INDOOR FAN MOTOR  
 TRANS.....TRANSFORMER

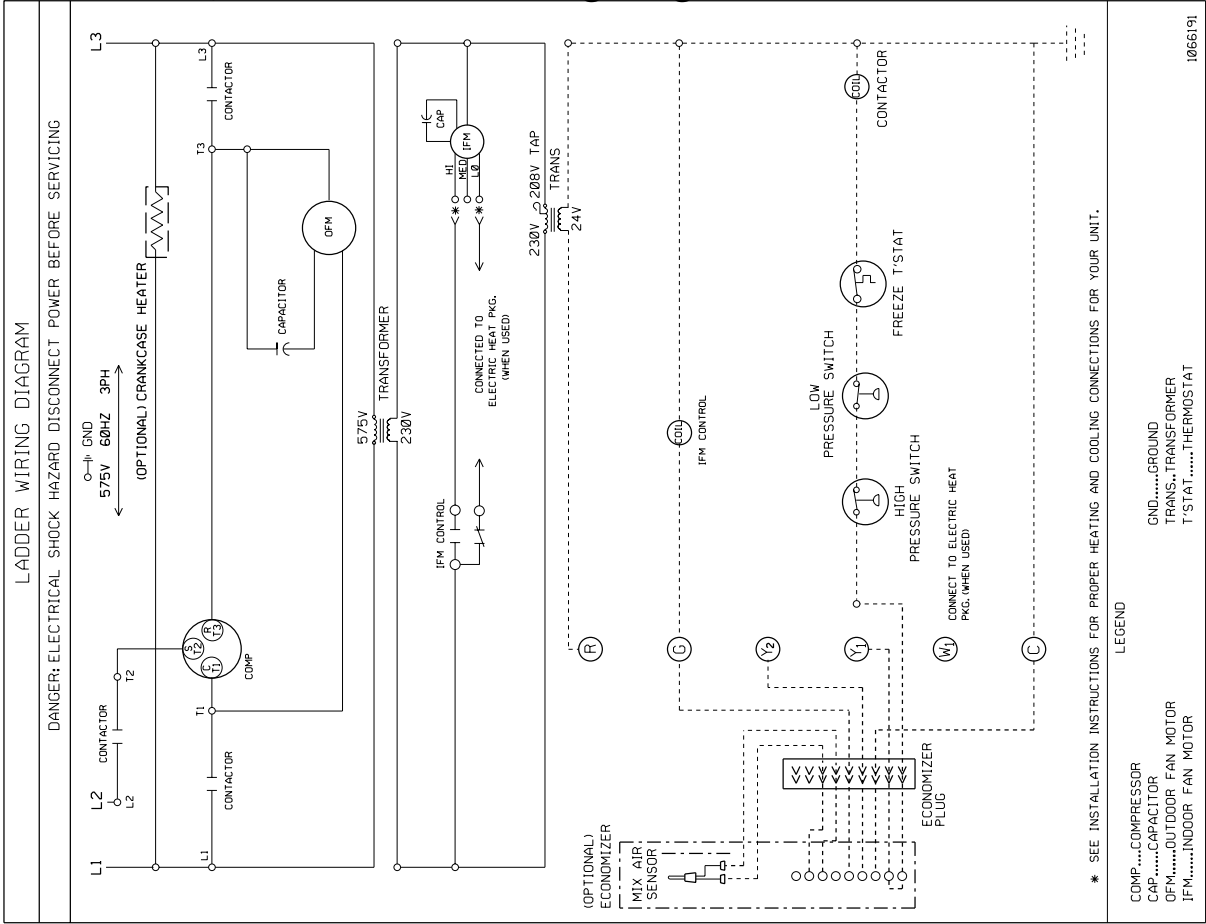
1066117

## 4 Ton - 575 Volt



# Parts List, Tech Labels & Wiring Diagrams for PAB & PAMC Series

## 3 & 5 TON - 575 VOLT



## 5 TON - 575 VOLT

