

# PA55 / PAPA SERIES PARTS LIST

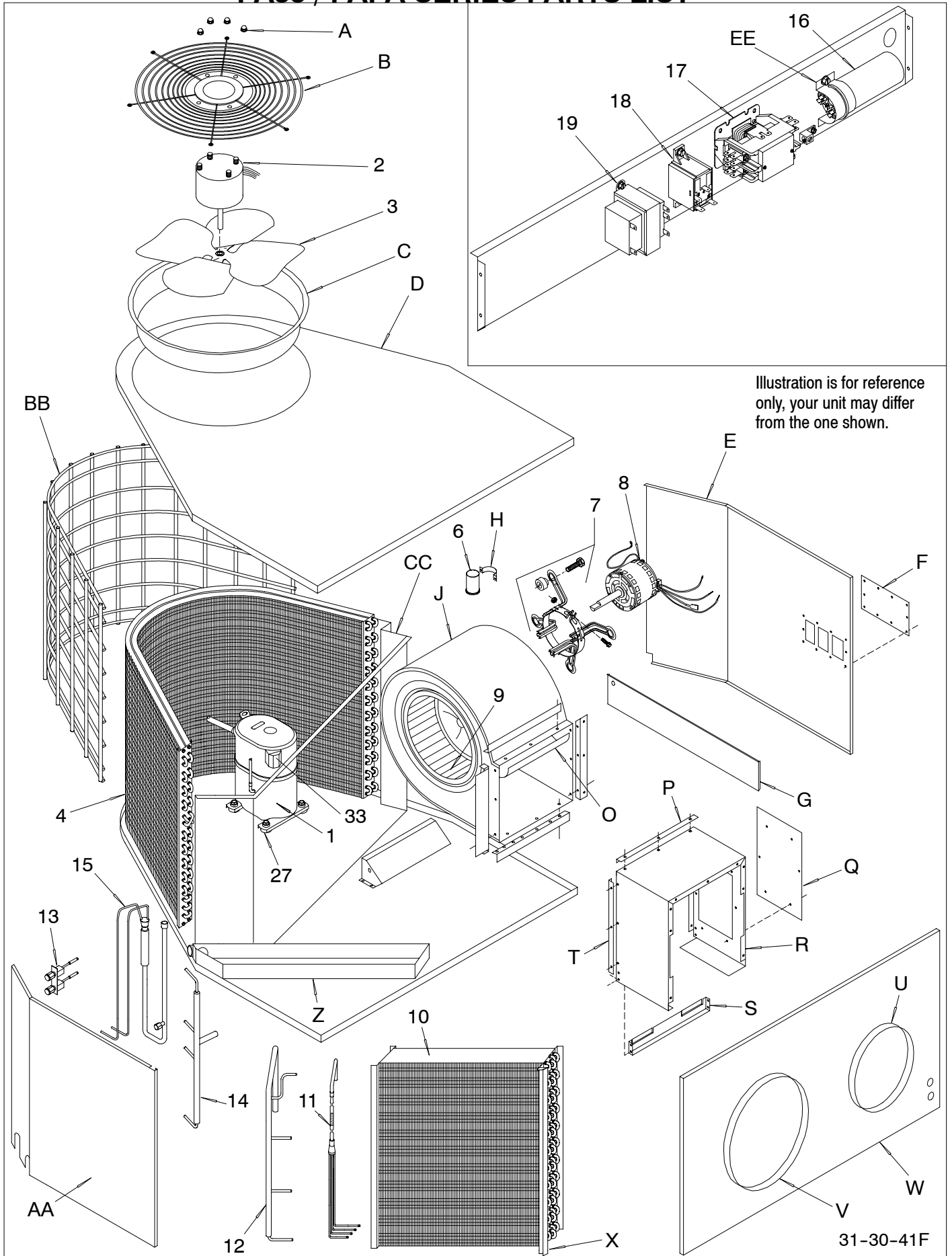


Illustration is for reference only, your unit may differ from the one shown.

31-30-41F

## PA55 / PAPA SERIES PARTS LIST

KEY NO.	DESCRIPTION	PART NUMBER	PA5524AKA6 PAPA24GA6	PA5530AKA6 PAPA30GA6	PA5536AKA6 PAPA36GA6	PA5542AKA6 PAPA42GA6	PA5548AKA6 PAPA48GA6	PA5560AKA5 PAPA60GA5
1	Compressor, With Plug Connection	CR24KFPFV130	1					
1		CR28KFPFV130	*	1				
1		CR34K6PFV130	*	*	1			
1		ZR42KCPFV130	*	*	*	1		
1		ZR45KCPFV135	*	*	*	*	1	
1		ZR57K3PFV130	*	*	*	*	*	1
2	Motor, Condenser Fan	1085925	1	1				
2		1085926	*	*	1	1	1	1
3	Fan Blade, Condenser	1096903	1	1				
3		1096902	*	*	1	1	1	1
4	Coil, Condenser	1110843	1	1				
4		1110844	*	*	1			
4		1110864	*	*	*	1		
4		1110830	*	*	*	*	1	
4		1110828	*	*	*	*	*	1
6	Capacitor, 5Mfd / 370Volt	1094954	1	1	1	1		
6	20Mfd / 370Volt	1094961	*	*	*	*	1	1
7	Mount, Blower Motor Kit	1057955	1	1	1	1	1	
7		522020024	*	*	*	*	*	1
8	Motor, Blower	1082061	1					
8		1081398	*	1				
8		1081399	*	*	1	1		
8		1081194	*	*	*	*	1	
8		1082177	*	*	*	*	*	1
9	Wheel, Blower	2120144	1	1				
9		706038	*	*	1	1		
9		1082068	*	*	*	*	1	
9		1082069	*	*	*	*	*	1
10	Coil, Evaporator	1096624M	1					
10		1099460M	*	1				
10		1097607M	*	*	1			
10		1097608M	*	*	*	1		
10		1097610M	*	*	*	*	1	
10		1097614M	*	*	*	*	*	1
11	Feeder Tube Asy (Included W/Evap coil)	1081158	1					
11		1081229	*	1				
11		1081248	*	*	1			
11		1081249	*	*	*	1		
12	Manifold (Included with Evap coil)							
13	Port Assembly	1083656	1	1	1	1	1	1
14	Manifold, (Included with Condenser coil)							
15	Manifold, (Included with Condenser coil)							
16	Capacitor, 35Mfd+3Mfd / 440Volt	1172094	1	1				
16	50Mfd + 5Mfd / 370Volt	1172111	*	*	1			
16	40Mfd + 5Mfd / 440Volt	1172114	*	*	*	1		
16	40Mfd + 5Mfd / 370Volt	1172147	*	*	*	*	1	
16	80Mfd + 5Mfd / 370Volt	1149996	*	*	*	*	*	1
17	Contact, 25 Amp	1050699	1	1	1			
17	35 Amp	1050839	*	*	*	1		
17	40 Amp	1059574	*	*	*	*	1	1
18	Control, Blower	1110752	1	1	1	1	1	
18	Relay	1082266	*	*	*	*	*	1
19	Transformer	1082611	1	1	1	1	1	1
25	Valve, Expansion	1082294	*	*	*	*	*	1
27	Grommet, Compressor Mounting	1171269	4	4	4	*	*	*
27		1171270	*	*	*	4	4	4
29	Flow Control .077 (Inc. with feeder tube asy.)	1082106	*	*	*	*	1	
33	Plug, Compressor Harness	1083654	1	1	1	1	1	1

## PA55 / PAPA SERIES PARTS LIST

KEY NO.	DESCRIPTION	PART NUMBER	PA5524AKA6	PA5530AKA6	PA5536AKA6	PA5542AKA6	PA5548AKA6	PA5560AKA5
			PAPA24GA6	PAPA30GA6	PAPA36GA6	PAPA42GA6	PAPA48GA6	PAPA60GA5
A	Nut, Cap	1067902	4	4	4	4	4	4
AA	Panel, (Evaporator Side)	1110579	1	1	1	1	1	1
B	Grille, Condenser Fan	1084490	1	1	1	1	1	
B		1072868	*	*	*	*	*	1
BB	Grille, Inlet	1081378	1	1	1	1	1	1
C	Orifice, Condenser Fan	1065724	1	1	1	1	1	1
CC	Panel Center	1097342	1	1	1	1	1	1
D	Panel, Top	1068344	1	1	1	1	1	1
E	Panel, ( Blower Side)	1110577	1	1	1	1	1	1
EE	Bracket, Capacitor Mounting	1064218	1	1				
EE		1095021	*	*	1	1	1	
F	Plate, Cover	1081375	1	1	1	1	1	1
G	Plate, Controls Mounting	1096289	1	1	1	1	1	1
H	Clamp, Capacitor Mounting (Blower Motor)	1095020	1	1	1	1		
H		1171552	*	*	*	*	1	1
J	Housing, Blower	1110939	1	1				
J		1110940	*	*	1	1	1	
J		1099246	*	*	*	*	*	1
O	Panel, Blower Cutoff	611796	1	1				
O		95143	*	*	1	1	1	
O		1082176	*	*	*	*	*	1
P	Bracket, Heater Box	1081114	1	1	1	1	1	1
Q	Plate, Cover	1083655	1	1	1	1	1	1
R	Heater Box	1081111	1	1	1	1	1	1
S	Bracket, Heater Box	1081112	1	1	1	1	1	1
T	Bracket, Heater Box	1081113	1	1	1	1	1	
T		1082179	*	*	*	*	*	1
U	Ring, Air Duct 12"	1066734	1	1	1	1	1	1
V	Ring, Air Duct 14"	1066735	1	1	1	1	1	1
W	Panel, Rear	1110986	1	1	1	1	1	1
X	Bracket, Evap Coil	1081110	1	1	1	1	1	1
Z	Pan, Drain	1081120	1	1	1	1	1	1
)	Bracket, Coil Support	1097616	1	1	1	1	1	1
)	Plate, Support Condenser	1097307	1	1	1	1	1	1
)	Manual, Parts List	42604100900	1	1	1	1	1	1

# PA55 / PAPA SERIES PARTS LIST

Style No:	PA5524AKA/PAPA24GA		Outdoor Ambient Temperature - Degrees F. Dry Bulb																			
			75				85				95				105				115			
			Entering Indoor Temperature - Degrees F. Wet Bulb																			
IDB		59	63	67	71	59	63	67	71	59	63	67	71	59	63	67	71	59	63	67	71	
Voltage	208 / 230																					
Phase	1																					
Ampacity	16.98																					
Wire Ga/Ft	NEC																					
Delay Fuse	20																					
Max. Fuse	25																					
Compressor	COPELAND																					
RLA	11.3																					
LRA	61																					
Cap MFD/V	35 / 370																					
CC Heater	N/A																					
Start Kit	NAMA001SC																					
Cond & Evap	Cond	Evap																				
Type	Fan	Blower																				
Size	20	DD10-6																				
Motor-HP	1/6	1 / 4																				
Type	PSC	PSC																				
FLA	1	1.4																				
LRA	1.72	3.1																				
RPM	1100	1075																				
Cap MFD/V	3 / 440	5 / 370																				
PTCR	N/A																					
Hi Press	N/A																					
Low Press	N/A																					
Operating Chg (No Lines)*	(R-22 Oz) 58		230 Volt				External Static Press (Inch Water Column)				208 Volt				External Static Press (Inch Water Column)							
Service Driers			HI	-	1070	1053	1028	994	944	884	HI	-	910	895	874	845	802	751				
Liquid/Chg	8 Cu In / 7 oz		MD HI	-	901	887	875	856	826	737	MD HI	-	766	754	744	728	702	626				
Suction	30 Sq In		MD LO	-	767	759	747	718	672	671	MD LO	-	652	645	635	610	571	570				
Unit Weight	275		LO	-	-	-	-	-	-	-	LO	-	-	-	-	-	-	-				

Style No:	PA5530AKA/PAPA30GA		Outdoor Ambient Temperature - Degrees F. Dry Bulb																			
			75				85				95				105				115			
			Entering Indoor Temperature - Degrees F. Wet Bulb																			
IDB		59	63	67	71	59	63	67	71	59	63	67	71	59	63	67	71	59	63	67	71	
Voltage	208 / 230																					
Phase	1																					
Ampacity	21.07																					
Wire Ga/Ft	NEC																					
Delay Fuse	25																					
Max. Fuse	30																					
Compressor	COPELAND																					
RLA	13.7																					
LRA	75																					
Cap MFD/V	35 / 370																					
CC Heater	N/A																					
Start Kit	NAMA001SC																					
Cond & Evap	Cond	Evap																				
Type	Fan	Blower																				
Size	20	DD10-6																				
Motor-HP	1/6	1 / 3																				
Type	PSC	PSC																				
FLA	1	2.2																				
LRA	1.72	5.6																				
RPM	1100	1075																				
Cap MFD/V	3 / 440	5 / 370																				
PTCR	N/A																					
Hi Press	N/A																					
Low Press	N/A																					
Operating Chg (No Lines)*	(R-22 Oz) 58		230 Volt				External Static Press (Inch Water Column)				208 Volt				External Static Press (Inch Water Column)							
Service Driers			HI	-	1130	1086	1033	973	901	817	HI	-	961	923	878	827	766	694				
Liquid/Chg	16 Cu In / 11 oz		MD HI	-	1069	1023	982	927	863	781	MD HI	-	909	870	835	788	734	664				
Suction	30 Sq In		MD LO	-	976	946	946	910	863	805	MD LO	-	830	804	804	774	734	684				
Unit Weight	275		LO	-	-	-	-	-	-	-	LO	-	-	-	-	-	-	-				

# PA55 / PAPA SERIES PARTS LIST

Style No:	PA5536AKA/PAPA36GA		Outdoor Ambient Temperature - Degrees F. Dry Bulb																							
			75				85				95				105				115							
			Entering Indoor Temperature - Degrees F. Wet Bulb																							
IDB		59	63	67	71	59	63	67	71	59	63	67	71	59	63	67	71	59	63	67	71					
Voltage	208 / 230		70		MBh	31.6	32.7	35.9	-	30.8	32.0	35.0	-	30.1	31.2	34.2	-	28.6	29.6	32.5	-	26.5	27.4	30.1	-	
Phase	1				S/T	0.77	0.65	0.45	-	0.79	0.66	0.46	-	0.82	0.68	0.47	-	0.85	0.71	0.49	-	0.86	0.72	0.50	-	
Ampacity	24.3				AMPS	14.6	14.9	15.3	-	15.6	16.0	16.4	-	16.6	16.9	17.4	-	17.5	17.9	18.4	-	18.4	18.8	19.4	-	
Wire Ga/Ft	NEC				HI PR	184	198	209	-	209	225	237	-	238	256	270	-	268	288	304	-	296	318	336	-	
Delay Fuse	30		75		LO PR	62	66	72	-	64	68	75	-	68	72	78	-	71	75	82	-	73	78	85	-	
Max. Fuse	35				MBh	32.1	33.1	35.8	38.4	31.4	32.3	35.0	37.5	30.6	31.5	34.1	36.6	29.1	29.9	32.4	34.8	26.9	27.7	30.0	32.2	
Compressor	COPELAND				S/T	0.88	0.79	0.60	0.38	0.90	0.81	0.61	0.39	0.93	0.83	0.63	0.41	0.97	0.86	0.65	0.42	0.98	0.87	0.66	0.42	
RLA	15.2				AMPS	14.7	15.0	15.4	15.9	15.8	16.1	16.6	17.1	16.7	17.1	17.6	18.1	17.6	18.0	18.6	19.2	18.6	19.0	19.5	20.2	
LRA	96		80		HI PR	186	200	211	220	211	227	240	250	240	259	273	285	271	291	307	321	299	322	340	354	
Cap MFD/V	50 / 370				LO PR	62	66	73	77	65	69	75	80	68	73	79	84	71	76	83	88	74	79	86	91	
CC Heater	NAMA001SC				MBh	32.7	33.4	35.7	38.2	31.9	32.6	34.9	37.3	31.1	31.8	34.0	36.3	29.6	30.2	32.3	34.5	27.4	28.0	29.9	32.0	
Start Kit					S/T	0.97	0.91	0.74	0.55	0.99	0.93	0.76	0.56	1.00	0.96	0.78	0.58	1.00	0.99	0.81	0.61	1.00	1.00	0.82	0.61	
Cond & Evap	Cond	Evap	85		AMPS	14.8	15.1	15.5	16.0	15.9	16.2	16.7	17.2	16.8	17.2	17.7	18.3	17.8	18.2	18.7	19.3	18.7	19.1	19.7	20.4	
Type	Fan	Blower			HI PR	188	202	213	222	213	229	242	253	243	261	276	288	273	294	311	324	302	325	343	358	
Size	20	DD10-8			LO PR	63	67	73	78	66	70	76	81	69	73	80	85	72	77	84	89	75	79	87	92	
Motor-HP	1/3	1 / 2			MBh	33.3	33.9	35.5	37.9	32.5	33.1	34.7	37.0	31.7	32.3	33.8	36.1	30.1	30.7	32.1	34.3	27.9	28.4	29.8	31.8	
Type	PSC	PSC	85		S/T	1.00	0.98	0.88	0.72	1.00	1.00	0.90	0.73	1.00	1.00	0.93	0.76	1.00	1.00	0.97	0.79	1.00	1.00	0.98	0.79	
FLA	1.7	3.6			AMPS	14.9	15.2	15.6	16.2	16.0	16.4	16.8	17.4	17.0	17.3	17.8	18.4	17.9	18.3	18.9	19.5	18.9	19.3	19.9	20.5	
LRA	4.04	7.4			HI PR	189	204	215	224	215	232	245	255	245	264	279	291	276	297	314	327	305	328	346	361	
RPM	1120	1075			LO PR	64	68	74	79	66	70	77	82	70	74	81	86	73	78	85	90	75	80	88	93	
Cap MFD/V	5 / 370	5 / 370	Air Delivery in CFM - Dry Coil - No Filter ( Add .05 static for Wet Coil)																							
PTCR	N/A		230 Volt		External Static Press (Inch Water Column)							208 Volt		External Static Press (Inch Water Column)												
Hi Press	N/A				Speed Tap	0.15	0.25	0.35	0.45	0.55	0.65			0.75	Speed Tap	0.15	0.25	0.35	0.45	0.55					0.65	0.75
Low Press	N/A		HI		-	1589	1540	1467	1411	13219	1235	HI		-	1351	1309	1247	1199	11236	1050						
Operating Chg (No Lines)*	(R-22 Oz)				Speed Tap	84	MD HI		-	1471	1427			1379	1329	1256	1181	MD HI		-					1250	1213
Service Driers	16 Cu In / 11 oz		MD LO		-	1373			1337	1292	1260	1186	1109	MD LO		-	1167			1136	1098	1071	1008	943		
Liquid/Chg	30 Sq In				LO		-	1208	1190	1176	1137	1085	1019			LO		-	1027	1012	1000	966	922	866		
Suction	280																		1083735							
Unit Weight	280																						1083735			

Style No:	PA5542AKA/PAPA42GA		Outdoor Ambient Temperature - Degrees F. Dry Bulb																							
			75				85				95				105				115							
			Entering Indoor Temperature - Degrees F. Wet Bulb																							
IDB		59	63	67	71	59	63	67	71	59	63	67	71	59	63	67	71	59	63	67	71					
Voltage	208 / 230		70		MBh	37.2	38.5	42.2	-	36.3	37.6	41.2	-	35.4	36.7	40.2	-	33.6	34.9	38.2	-	31.2	32.3	35.4	-	
Phase	1				S/T	0.77	0.65	0.45	-	0.79	0.66	0.46	-	0.82	0.68	0.47	-	0.85	0.71	0.49	-	0.86	0.72	0.50	-	
Ampacity	31.7				AMPS	18.9	19.3	19.9	-	20.4	20.8	21.4	-	21.6	22.1	22.7	-	22.8	23.3	24.0	-	24.0	24.6	25.3	-	
Wire Ga/Ft	NEC				HI PR	190	204	216	-	216	232	245	-	246	264	279	-	277	298	314	-	306	329	347	-	
Delay Fuse	35		75		LO PR	59	62	68	-	61	65	71	-	64	68	74	-	67	71	78	-	70	74	81	-	
Max. Fuse	50				MBh	37.8	38.9	42.1	45.2	36.9	38.0	41.1	44.1	36.0	37.1	40.1	43.1	34.2	35.2	38.1	40.9	31.7	32.6	35.3	37.9	
Compressor	COPELAND				S/T	0.88	0.79	0.60	0.38	0.90	0.81	0.61	0.39	0.93	0.83	0.63	0.41	0.97	0.86	0.65	0.42	0.98	0.87	0.66	0.42	
RLA	20.1				AMPS	19.1	19.5	20.1	20.7	20.5	21.0	21.6	22.3	21.8	22.2	22.9	23.7	23.0	23.5	24.2	25.1	24.2	24.8	25.5	26.4	
LRA	127		80		HI PR	192	206	218	227	218	235	248	258	248	267	282	294	279	301	317	331	309	332	351	366	
Cap MFD/V	40 / 440				LO PR	59	63	69	73	62	66	72	76	65	69	75	80	68	72	79	84	70	75	82	87	
CC Heater	NAMA001SC				MBh	38.5	39.3	42.0	44.9	37.6	38.4	41.0	43.8	36.6	37.4	40.0	42.8	34.8	35.6	38.0	40.6	32.2	32.9	35.2	37.6	
Start Kit					S/T	0.97	0.91	0.74	0.55	0.99	0.93	0.76	0.56	1.00	0.96	0.78	0.58	1.00	0.99	0.81	0.61	1.00	1.00	0.82	0.61	
Cond & Evap	Cond	Evap	85		AMPS	19.2	19.6	20.2	20.9	20.7	21.1	21.8	22.5	22.0	22.4	23.1	23.9	23.2	23.7	24.4	25.3	24.4	25.0	25.8	26.6	
Type	Fan	Blower			HI PR	194	208	220	229	220	237	250	261	251	270	285	297	282	304	321	334	312	335	354	369	
Size	20	DD10-8			LO PR	60	64	70	74	62	66	72	77	65	70	76	81	69	73	80	85	71	75	82	88	
Motor-HP	1/3	1 / 2			MBh	39.1	39.9	41.8	44.6	38.2	39.0	40.8	43.5	37.3	38.0	39.8	42.5	35.4	36.1	37.8	40.3	32.8	33.4	35.0	37.4	
Type	PSC	PSC	85		S/T	1.00	0.98	0.88	0.72	1.00	1.00	0.90	0.73	1.00	1.00	0.93	0.76	1.00	1.00	0.97	0.79	1.00	1.00	0.98	0.79	
FLA	1.7	3.6			AMPS	19.4	19.8	20.4	21.0	20.9	21.3	21.9	22.7	22.1	22.6	23.3	24.1	23.4	23.9	24.6	25.5	24.7	25.2	26.0	26.9	
LRA	4.04	7.4			HI PR	196	210	222	232	222	239	253	264	253	273	288	300	285	307	324	338	315	339	358	373	
RPM	1120	1075			LO PR	61	64	70	75	63	67	73	78	66	70	77	82	69	74	80	86	72	76	83	89	
Cap MFD/V	5 / 370	5 / 440	Air Delivery in CFM - Dry Coil - No Filter ( Add .05 static for Wet Coil)																							
PTCR	N/A		230 Volt		External Static Press (Inch Water Column)							208 Volt		External Static Press (Inch Water Column)												
Hi Press	N/A				Speed Tap	0.15	0.25	0.35	0.45	0.55	0.65			0.75	Speed Tap	0.15	0.25	0.35	0.45	0.55					0.65	0.75
Low Press	N/A		HI		-	1589	-	1467	1411	13219	1235	HI		-	1351	-	1247	1199	11236	1050						
Operating Chg (No Lines)*	(R-22 Oz)				Speed Tap	82	MD HI		-	1471	1427			1379	1329	1256	1181	MD HI		-					1250	1213
Service Driers	16 Cu In / 11 oz		MD LO		-	1373			1337	1292	1260	1186	1109	MD LO		-	1167			1136	1098	1071	1008	943		
Liquid/Chg	30 Sq In				LO		-	1208	1190	1176	1137	1085	1019			LO		-	1027	1012	1000	966	922	866		
Suction	280																		1083736							
Unit Weight	280																						1083736			

# PA55 / PAPA SERIES PARTS LIST

Style No:	PA5548AKA/PAPA48GA		Outdoor Ambient Temperature - Degrees F. Dry Bulb																																			
			75				85				95				105				115																			
			Entering Indoor Temperature - Degrees F. Wet Bulb																																			
Voltage	208 / 230	Phase	1	Ampacity	35.3	Wire Ga/Ft	NEC	Delay Fuse	45	Max. Fuse	50	Compressor	COPELAND	RLA	21.8	LRA	131	Cap MFD/V	40 / 370	CC Heater	Start Kit	NAMA001SC	IDB															
																							59	63	67	71	59	63	67	71	59	63	67	71	59	63	67	71
Cond & Evap	Cond	Evap	Air Delivery in CFM - Dry Coil - No Filter ( Add .05 static for Wet Coil)																																			
Operating Chg (No Lines)*	(R-22 Oz)	81	230 Volt Speed Tap	External Static Press (Inch Water Column)								208 Volt Speed Tap	External Static Press (Inch Water Column)																									
Service Driers	30 Cu In / 17 oz		HI	-	1904	1822	1736	1635	1530	1411	HI	-	1618	1549	1476	1390	1301	1199																				
Liquid/Chg Suction	30 Sq In		MD HI	-	1827	1759	1670	1572	1478	1377	MD HI	-	1553	1495	1420	1336	1256	1170																				
Unit Weight	280		MD LO	-	1707	1651	1577	1497	1417	1322	MD LO	-	1451	1403	1340	1272	1204	1124																				
			LO	-	-	-	-	-	-	-	LO	-	-	-	-	-	-	-																				

1083737

Style No:	PA5560AKA/PAPA60GA		Outdoor Ambient Temperature - Degrees F. Dry Bulb																																			
			75				85				95				105				115																			
			Entering Indoor Temperature - Degrees F. Wet Bulb																																			
Voltage	208 / 230	Phase	1	Ampacity	45	Wire Ga/Ft	NEC	Delay Fuse	60	Max. Fuse	70	Compressor	COPELAND	RLA	32.1	LRA	169	Cap MFD/V	80/370	CC Heater	Start Kit	NAMA001SC	IDB															
																							59	63	67	71	59	63	67	71	59	63	67	71	59	63	67	71
Cond & Evap	Cond	Evap	Air Delivery in CFM - Dry Coil - No Filter ( Add .05 static for Wet Coil)																																			
Operating Chg (No Lines)*	(R-22 Oz)	105	230 Volt Speed Tap	External Static Press (Inch Water Column)								208 Volt Speed Tap	External Static Press (Inch Water Column)																									
Service Driers	30 Cu In / 17 oz		HI	-	2214	2139	2050	1948	1866	1808	HI	-	1881	1818	1742	1655	1586	1536																				
Liquid/Chg Suction	30 Sq In		MD HI	-	1919	1878	1837	1789	1737	1692	MD HI	-	1631	1596	1561	1520	1476	1438																				
Unit Weight	280		MD LO	-	-	-	-	-	-	-	MD LO	-	-	-	-	-	-	-																				
			LO	-	-	-	-	-	-	-	LO	-	-	-	-	-	-	-																				

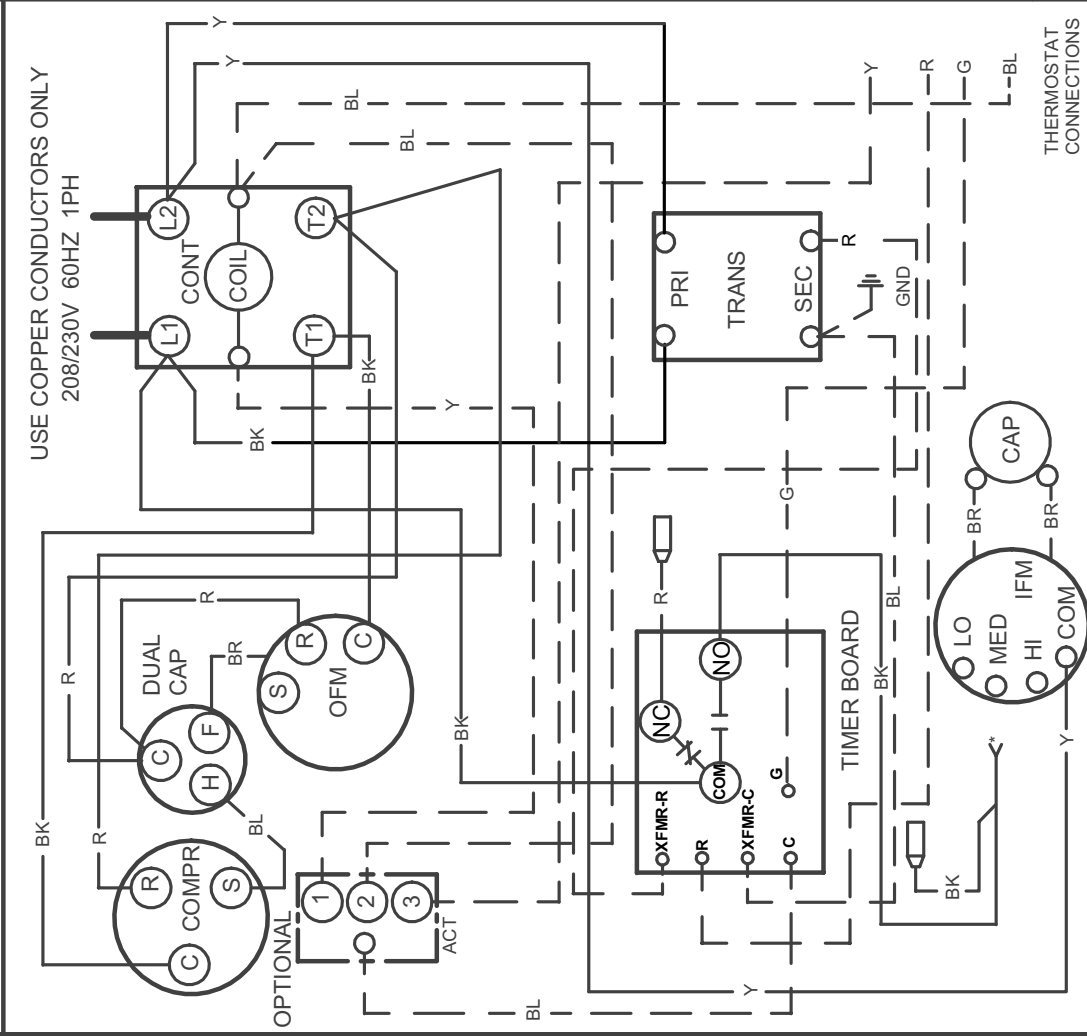
1083738

# PA55 / PAPA SERIES PARTS LIST

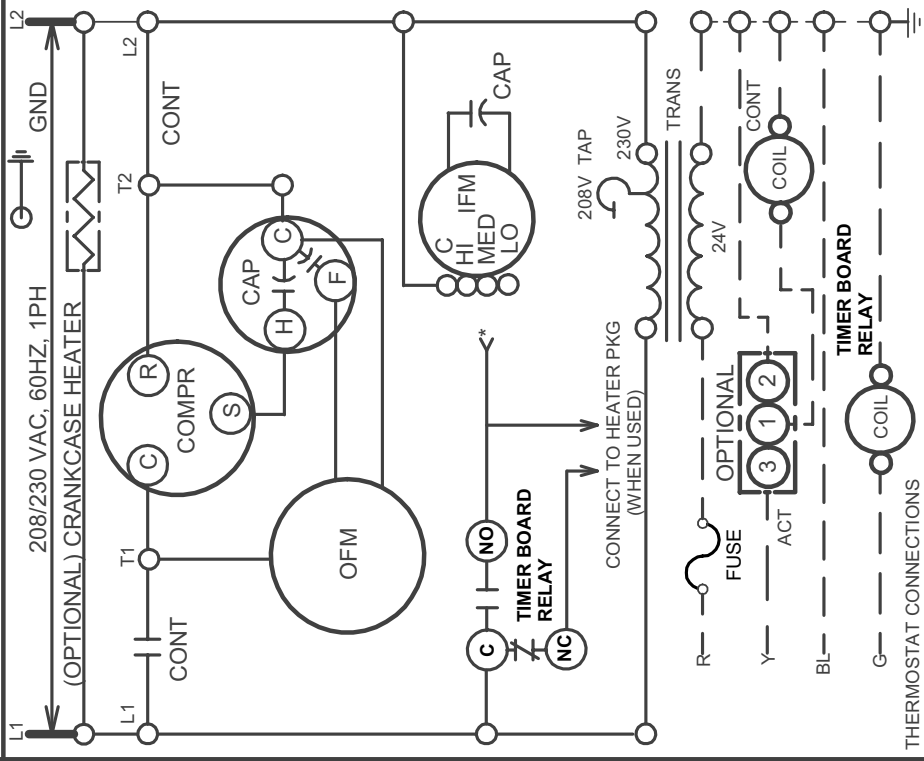
2 thru 3 1/2 Ton

DANGER: ELECTRICAL SHOCK HAZARD - DISCONNECT POWER BEFORE SERVICING

CONNECTION WIRING DIAGRAM



LADDER WIRING DIAGRAM



IF ANY OF THE ORIGINAL WIRE AS SUPPLIED WITH THE APPLIANCE MUST BE REPLACED, IT MUST BE REPLACED WITH TYPE AWM-105°C OR ITS EQUIVALENT.

\* SEE INSTALLATION INSTRUCTIONS FOR PROPER HEATING AND COOLING CONNECTIONS FOR YOUR UNIT

COLOR CODE	LINE CODE	LEGEND
BLACK...BK	LINE VOLTAGE FACTORY	GND .....GROUND
BLUE...BL	LINE VOLTAGE FIELD	TC....TERMINAL CONNECTOR
BROWN...BR	LOW VOLTAGE FACTORY	OFM..OUTDOOR FAN MTR
GRAY...GY	LOW VOLTAGE FIELD	IFM..INDOOR FAN MTR
GREEN...G		IFMC..INDOOR FAN MTR CONTROL
		ACT...ANTICYCLE TIMER

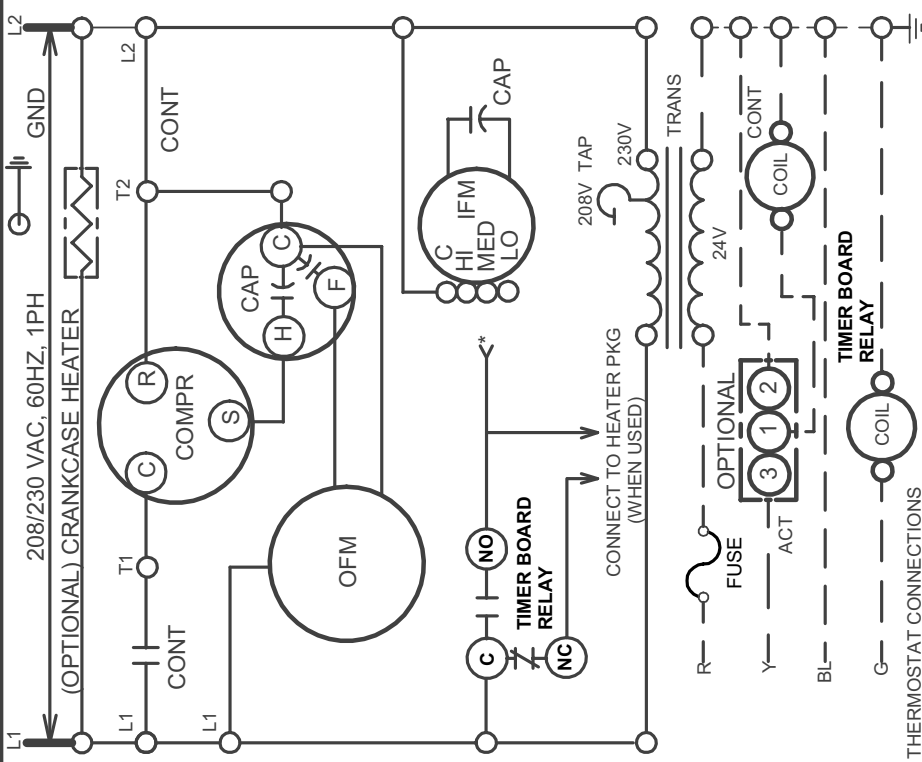
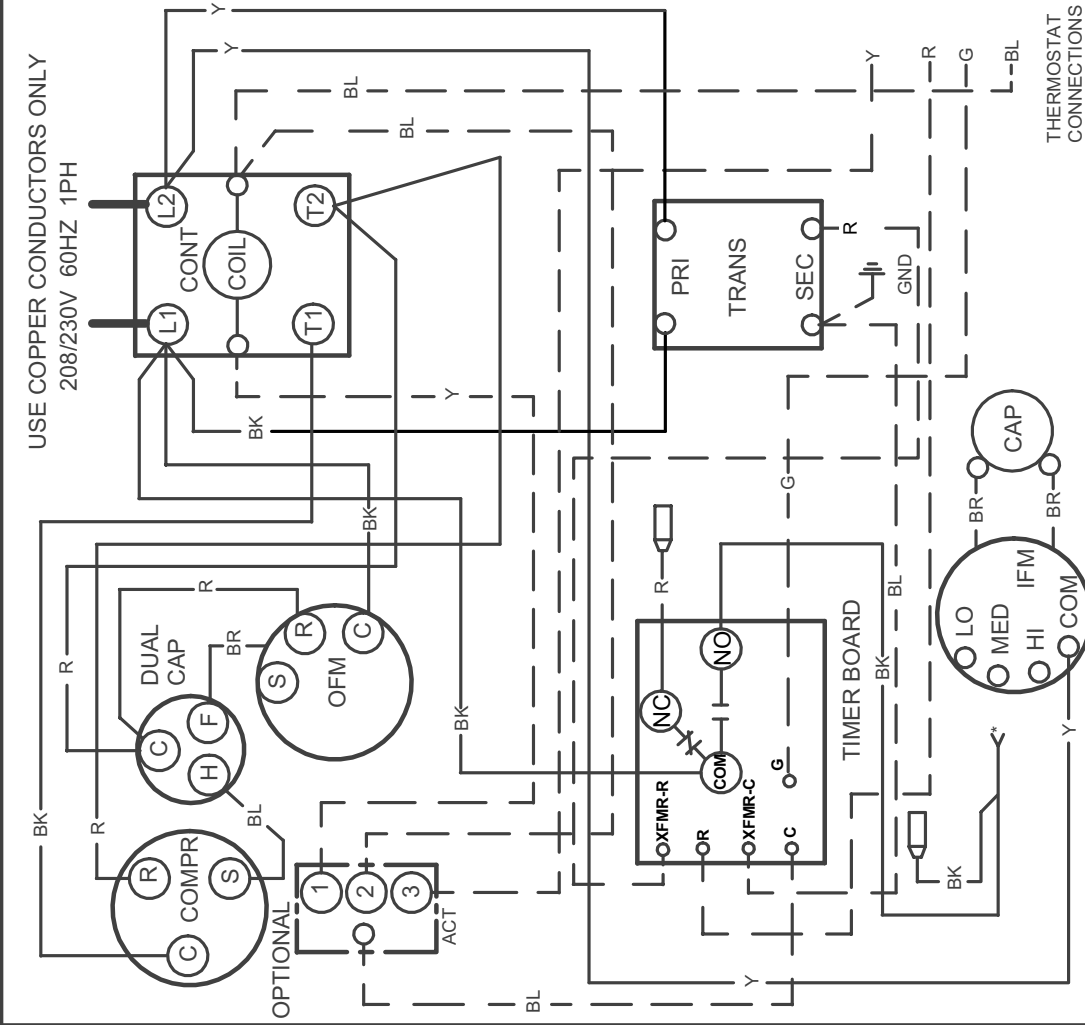
# PA55 / PAPA SERIES PARTS LIST

4 Ton

DANGER: ELECTRICAL SHOCK HAZARD - DISCONNECT POWER BEFORE SERVICING

CONNECTION WIRING DIAGRAM

LADDER WIRING DIAGRAM



IF ANY OF THE ORIGINAL WIRE AS SUPPLIED WITH THE APPLIANCE MUST BE REPLACED, IT MUST BE REPLACED WITH TYPE AWM-105°C OR ITS EQUIVALENT.

\* SEE INSTALLATION INSTRUCTIONS FOR PROPER HEATING AND COOLING CONNECTIONS FOR YOUR UNIT

THERMOSTAT CONNECTIONS

THERMOSTAT CONNECTIONS

**COLOR CODE**

BLACK...BK	ORANGE...O
BLUE...BL	RED...R
BROWN...BR	VIOLET...V
GRAY...GY	WHITE...W
GREEN...G	YELLOW...Y

**LINE CODE**

LINE VOLTAGE FACTORY
LINE VOLTAGE FIELD
LOW VOLTAGE FACTORY
LOW VOLTAGE FIELD

**LEGEND**

TRANS....TRANSFORMER
COMPR....COMPRESSOR
CAP.....CAPACITOR
CONT.....CONTACTOR
LVTB...LO VOLT TERM BRD

**LEGEND**

GND.....GROUND
TC....TERMINAL CONNECTOR
OFM..OUTDOOR FAN MTR
IFM..INDOOR FAN MTR
IFMC..INDOOR FAN MTR CONTROL
ACT...ANTICYCLE TIMER

111235



# PA55 / PAPA SERIES PARTS LIST

5 Ton

