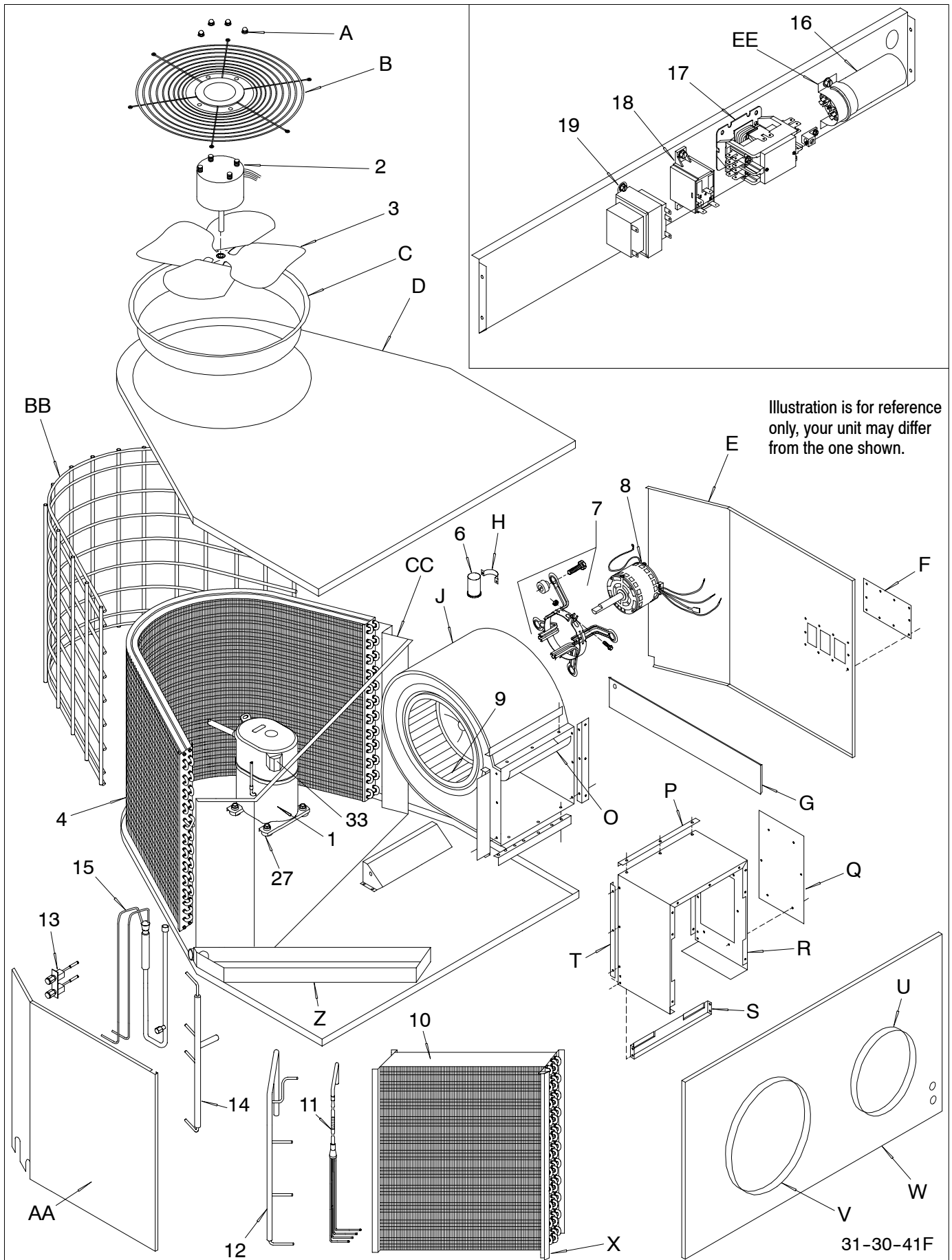


PA55 / PAPA Series, Three Phase, Parts List, Tech Labels, Wiring Diagrams



KEY NO.	DESCRIPTION	PART NUMBER	PA5536AH6	PAPA36HA6	PA5548AH6	PAPA48HA6	PA5560AH5	PAPA60HA5	KEY NO.	DESCRIPTION	PART NUMBER	PA5536AH6	PAPA36HA6	PA5548AH6	PAPA48HA6	PA5560AH5	PAPA60HA5
1	Compressor, with plug connector	CR35K6TF5130	1						A	Nut, Cap	1067902	4		4		4	
1		ZR45KCTF5135	*	1					AA	Panel, Side (Evap)	1110579	1		1		1	
1		ZR57K3TF5130	*	*	1				B	Grille, Condenser Fan	1084490	1		1			
2	Motor, Condenser Fan	1085926	1	1	1				BB		1072868	*		*	1		
3	Fan, Condenser	1096902	1	1	1				BB	Grille, Inlet	1081378	1		1	1	1	
4	Coil, Condenser	1110844	1						C	Orifice, Condenser Fan	1065724	1		1	1	1	
4		1110830	*	1					CC	Panel, Center	1097342	1		1	1	1	
4		1110828	*	*	1				D	Panel, Top	1068344	1		1	1	1	
6	Capacitor, 5Mfd / 370Volt	1094954	1						E	Panel, Side (Blower)	1110577	1		1	1	1	
6	20Mfd / 370Volt	1094961	*	1	1				EE	Clamp, Capacitor (Cond. Fan Mtr.)	1171552	1		1	1	1	
7	Mount, Blower Motor Kit	1057955	1	1					F	Plate, Cover	1081375	1		1	1	1	
7		522020024	*	*	1				G	Plate, Controls Mounting	1096289	1		1	1	1	
8	Motor, Blower	1081399	1						H	Clamp, Capacitor (Blower, Motor)	1095020	1					
8		1081194	*	1					H		1095022	*		1	1	1	
8		1082177	*	*	1				J	Housing, Blower	1110940	1		1			
9	Wheel, Blower	706038	1						J		1099246	*		*	1		
9		1082068	*	1					O	Panel, Blower Cutoff	95143	1		1			
9		1082069	*	*	1				O		1082176	*		*	1	1	
10	Coil, Evaporator	1097607M	1						P	Bracket, Heater Box	1081114	1		1	1	1	
10		1097610M	*	1					Q	Plate, Cover	1083655	1		1	1	1	
10		1097614M	*	*	1				R	Heater Box	1081111	1		1	1	1	
11	Feeder Tube Asy (Evap)	1081248	1						S	Bracket, Heater Box	1081112	1		1	1	1	
12	Manifold (Included with Evaporator coil)								T	Bracket, Heater Box	1081113	1		1			
13	Port Assembly	1083656	1	1	1				T	Bracket, Heater Box	1082179	*		*	1		
14	Manifold, (Included with Cond. Coil)								U	Ring, Air Duct 12"	1066734	1		1	1	1	
15	Manifold, (Included with Cond. Coil)								V	Ring, Air Duct 14"	1066735	1		1	1	1	
16	Capacitor, (Cond Fan Mtr.) 5Mfd / 370Volt	1171727	1	1	1				W	Panel, Rear	1110986	1		1	1	1	
17	Contact, 20 Amp 3 Pole	1114069	1	1					X	Bracket, Evap Coil	1081110	1		1	1	1	
17	30 Amp 3 Pole	1114066	*		1				Z	Pan, Drain	1081120	1		1	1	1	
18	Control, Blower	1110752	1	1)	Bracket, Coil Support	1097616	1		1	1	1	
18	Relay	1082266	*	*	1)	Plate, Support Condenser	1097307	1		1	1	1	
19	Transformer	1082611	1	1	1)	Manual, Parts List	42604101000	1		1	1	1	
25	Valve, Expansion	1082294	*	*	1												
27	Grommet, Compressor Mounting	1171269	4														
27		1171270	*	4	4												
29	Flow Control .077	1082106	*	1													
33	Plug, Compressor Harness	1083654	1	1	1												

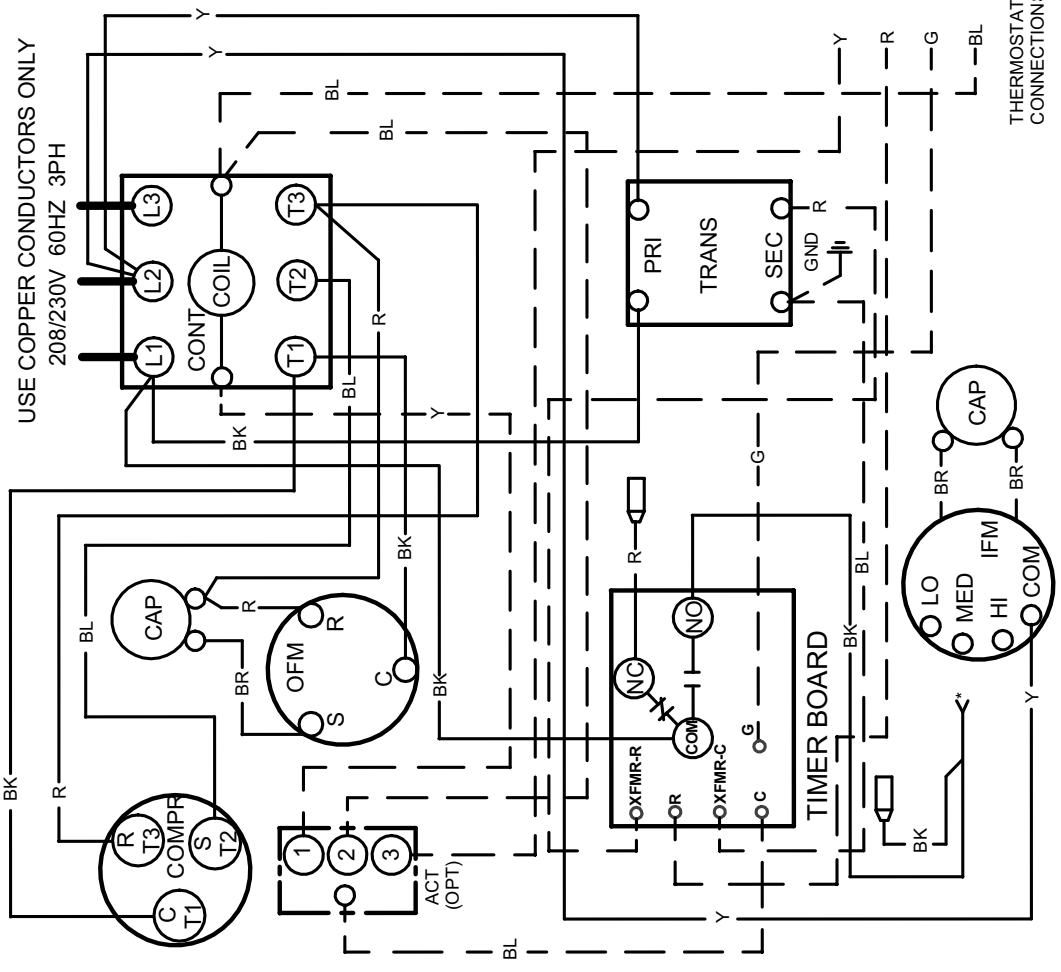
Style No:	PA5536AH/PAPA36HA		Outdoor Ambient Temperature - Degrees F. Dry Bulb																					
Voltage	208 / 230		75				85				95				105				115					
Phase	3		Entering Indoor Temperature - Degrees F. Wet Bulb																					
Ampacity	18.2		IDB	59	63	67	71	59	63	67	71	59	63	67	71	59	63	67	71	59	63	67	71	
Wire Ga/Ft	NEC		70	MBh	31.8	32.9	36.1	-	31.0	32.2	35.2	-	30.3	31.4	34.4	-	28.8	29.8	32.7	-	26.6	27.6	30.2	-
Delay Fuse	25			S/T	0.77	0.65	0.45	-	0.79	0.66	0.46	-	0.82	0.68	0.47	-	0.85	0.71	0.49	-	0.86	0.72	0.50	-
Max. Fuse	25		70	AMPS	10.3	10.5	10.8	-	11.0	11.2	11.6	-	11.6	11.9	12.2	-	12.3	12.5	12.9	-	12.9	13.2	13.6	-
Compressor	COPELAND			HI PR	184	198	209	-	209	225	237	-	238	256	270	-	268	288	304	-	296	318	336	-
RLA	10.3		70	LO PR	60	64	70	-	63	67	73	-	66	70	76	-	69	73	80	-	71	76	83	-
LRA	75			75	MBh	32.3	33.3	36.0	38.7	31.5	32.5	35.2	37.7	30.8	31.7	34.3	36.8	29.2	30.1	32.6	35.0	27.1	27.9	30.2
Cap MFD/V			75		S/T	0.88	0.79	0.60	0.38	0.90	0.81	0.61	0.39	0.93	0.83	0.63	0.41	0.97	0.86	0.65	0.42	0.98	0.87	0.66
CC Heater				75	AMPS	10.4	10.6	10.9	11.2	11.1	11.3	11.6	12.0	11.7	12.0	12.3	12.7	12.4	12.7	13.0	13.4	13.0	13.3	13.7
Start Kit			75		HI PR	186	200	211	220	211	227	240	250	240	259	273	285	271	291	307	321	299	322	340
Cond & Evap	Cond	Evap		75	LO PR	61	65	71	75	63	67	74	78	66	71	77	82	70	74	81	86	72	77	84
Type	Fan	Blower	80		MBh	32.9	33.6	35.9	38.4	32.1	32.8	35.1	37.5	31.3	32.0	34.2	36.6	29.8	30.4	32.5	34.7	27.6	28.2	30.1
Size	20	DD10-8		80	S/T	0.97	0.91	0.74	0.55	0.99	0.93	0.76	0.56	1.00	0.96	0.78	0.58	1.00	0.99	0.81	0.61	1.00	1.00	0.82
Motor-HP	1/3	1 / 2	80		AMPS	10.4	10.6	10.9	11.3	11.2	11.4	11.7	12.1	11.8	12.1	12.4	12.8	12.5	12.8	13.1	13.6	13.1	13.4	13.8
Type	PSC	PSC		80	HI PR	188	202	213	222	213	229	242	253	243	261	276	288	273	294	311	324	302	325	343
FLA	1.8	3.6	80		LO PR	62	65	71	76	64	68	74	79	67	71	78	83	70	75	82	87	73	77	85
LRA	4.04	7.4		85	MBh	33.5	34.1	35.7	38.1	32.7	33.3	34.9	37.2	31.9	32.5	34.0	36.3	30.3	30.9	32.3	34.5	28.0	28.6	29.9
RPM	1120	1075	85		S/T	1.00	0.98	0.88	0.72	1.00	1.00	0.90	0.73	1.00	1.00	0.93	0.76	1.00	1.00	0.97	0.79	1.00	1.00	0.98
Cap MFD/V	5 / 370	5 / 370		85	AMPS	10.5	10.7	11.0	11.4	11.3	11.5	11.8	12.2	11.9	12.2	12.5	12.9	12.6	12.9	13.2	13.7	13.2	13.5	13.9
PTCR	N/A		85		HI PR	189	204	215	224	215	232	245	255	245	264	279	291	276	297	314	327	305	328	346
Hi Press	N/A			85	LO PR	62	66	72	77	65	69	75	80	68	72	79	84	71	76	83	88	74	78	85
Low Press	N/A		Air Delivery in CFM - Dry Coil - No Filter (Add .05 static for Wet Coil)																					
Operating Chg (No Lines)*	(R-22 Oz) 84		230 Volt	External Static Press (Inch Water Column)								208 Volt	External Static Press (Inch Water Column)											
Service Driers			Speed Tap	0.15	0.25	0.35	0.45	0.55	0.65	0.75	Speed Tap	0.15	0.25	0.35	0.45	0.55	0.65	0.75						
Liquid/Chg	16 Cu In / 11 oz		HI	-	1589	1540	1467	1411	13219	1235	HI	-	1351	1309	1247	1199	11236	1050						
Suction	30 Sq In		MD HI	-	1471	1427	1379	1329	1256	1181	MD HI	-	1250	1213	1172	1130	1068	1004						
Unit Weight	280		MD LO	-	1373	1337	1292	1260	1186	1109	MD LO	-	1167	1136	1098	1071	1008	943						1083739
			LO	-	1208	1190	1176	1137	1085	1019	LO	-	1027	1012	1000	966	922	866						5/14/97

Style No:	PA5548AH/PAPA48HA			Outdoor Ambient Temperature - Degrees F. Dry Bulb																															
Voltage	208 / 230			75				85				95				105				115															
Phase	3			Entering Indoor Temperature - Degrees F. Wet Bulb																															
Ampacity	27.8			59				63				67				71				59				63				67				71			
Wire Ga/Ft	NEC			IDB	MBh	41.8	43.3	47.5	-	40.8	42.3	46.4	-	39.8	41.3	45.2	-	37.8	39.2	43.0	-	35.0	36.3	39.8	-										
Delay Fuse	35					S/T	0.79	0.66	0.46	-	0.81	0.68	0.47	-	0.84	0.70	0.49	-	0.87	0.73	0.50	-	0.88	0.73	0.51	-									
Max. Fuse	40			70	AMPS	15.7	16.0	16.4	-	16.8	17.1	17.5	-	17.7	18.0	18.5	-	18.6	19.0	19.5	-	19.5	19.9	20.5	-										
Compressor	COPELAND			HI PR	198	214	225	-	226	243	256	-	257	277	292	-	289	311	329	-	319	344	363	-											
RLA	14.3			LO PR	63	67	73	-	65	69	76	-	68	73	79	-	72	76	83	-	74	79	86	-											
LRA	91			75	MBh	42.5	43.8	47.4	50.9	41.5	42.7	46.3	49.7	40.5	41.7	45.1	48.4	38.5	39.6	42.9	46.0	35.6	36.7	39.7	42.6										
Cap MFD/V					S/T	0.90	0.81	0.61	0.39	0.93	0.83	0.63	0.40	0.96	0.85	0.65	0.42	0.99	0.89	0.67	0.43	1.00	0.89	0.68	0.44										
CC Heater				AMPS	15.8	16.1	16.5	17.0	16.9	17.2	17.7	18.2	17.8	18.2	18.7	19.2	18.7	19.1	19.6	20.3	19.7	20.1	20.6	21.3											
Start Kit				HI PR	200	216	228	238	228	245	259	270	260	279	295	308	292	314	332	346	323	347	367	382											
Cond & Evap	Cond	Evap		LO PR	63	67	73	78	66	70	76	81	69	73	80	85	72	77	84	90	75	80	87	93											
Type	Fan	Blower		80	MBh	43.3	44.2	47.3	50.5	42.3	43.2	46.1	49.3	41.2	42.1	45.0	48.1	39.2	40.0	42.8	45.7	36.3	37.1	39.6	42.3										
Size	20	DD10-8			S/T	0.99	0.93	0.76	0.56	1.00	0.95	0.78	0.58	1.00	0.98	0.80	0.60	1.00	1.00	0.83	0.62	1.00	1.00	0.84	0.63										
Motor-HP	1/3	1		AMPS	15.9	16.2	16.6	17.1	17.0	17.3	17.8	18.3	17.9	18.3	18.8	19.4	18.9	19.3	19.8	20.4	19.8	20.2	20.8	21.5											
Type	PSC	PSC		HI PR	202	218	230	240	230	248	262	273	262	282	298	311	295	317	335	350	326	351	370	386											
FLA	1.7	6.3		LO PR	64	68	74	79	66	71	77	82	70	74	81	86	73	78	85	90	76	80	88	94											
LRA	5	13.2		85	MBh	44.0	44.9	47.0	50.2	43.0	43.8	45.9	49.0	41.9	42.8	44.8	47.8	39.8	40.6	42.5	45.4	36.9	37.6	39.4	42.0										
RPM	1140	1075			S/T	1.00	1.00	0.90	0.73	1.00	1.00	0.93	0.75	1.00	1.00	0.96	0.78	1.00	1.00	0.99	0.81	1.00	1.00	1.00	0.81										
Cap MFD/V	7.5/370	20/370		AMPS	16.0	16.3	16.8	17.3	17.1	17.5	17.9	18.5	18.1	18.4	18.9	19.5	19.0	19.4	20.0	20.6	20.0	20.4	21.0	21.6											
PTCR	N/A			HI PR	204	220	232	242	233	250	264	276	265	285	301	314	298	321	339	353	329	354	374	390											
Hi Press	N/A			LO PR	65	69	75	80	67	71	78	83	70	75	82	87	74	79	86	91	76	81	89	94											
Low Press	N/A			Air Delivery in CFM - Dry Coil - No Filter (Add .05 static for Wet Coil)																															
Operating Chg (No Lines)*	(R-22 Oz)	81		230 Volt	External Static Press (Inch Water Column)								208 Volt	External Static Press (Inch Water Column)																					
Service Driers				Speed Tap	0.15	0.25	0.35	0.45	0.55	0.65	0.75	Speed Tap	0.15	0.25	0.35	0.45	0.55	0.65	0.75																
Liquid/Chg	30 Cu In / 17 oz			HI	-	1904	1822	1736	1635	1530	1411	HI	-	1618	1549	1476	1390	1301	1199																
Suction	30 Sq In			MD HI	-	1827	1759	1670	1572	1478	1377	MD HI	-	1553	1495	1420	1336	1256	1170																
Unit Weight	280			MD LO	-	1707	1651	1577	1497	1417	1322	MD LO	-	1451	1403	1340	1272	1204	1124	11083740															
				LO	-	-	-	-	-	-	-	LO	-	-	-	-	-	-	-	5/14/97															

Style No:	PA5560AH/PAPA60HA			Outdoor Ambient Temperature - Degrees F. Dry Bulb																															
Voltage	208 / 230			75				85				95				105				115															
Phase	3			Entering Indoor Temperature - Degrees F. Wet Bulb																															
Ampacity	34.8			59				63				67				71				59				63				67				71			
Wire Ga/Ft	NEC			IDB	MBh	51.9	53.7	58.9	-	50.6	52.5	57.5	-	49.4	51.2	56.1	-	46.9	48.6	53.3	-	43.5	45.0	49.3	-										
Delay Fuse	45					S/T	0.76	0.64	0.44	-	0.78	0.65	0.45	-	0.81	0.68	0.47	-	0.84	0.70	0.49	-	0.85	0.71	0.49	-									
Max. Fuse	50			70	AMPS	21.0	21.4	22.0	-	22.5	22.9	23.6	-	23.8	24.2	24.9	-	25.0	25.5	26.3	-	26.3	26.8	27.6	-										
Compressor	COPELAND			HI PR	205	221	233	-	233	251	265	-	266	286	302	-	299	322	340	-	330	355	375	-											
RLA	19.3			LO PR	61	65	71	-	63	68	74	-	67	71	77	-	70	74	81	-	72	77	84	-											
LRA	137			75	MBh	52.7	54.3	58.8	63.1	51.5	53.0	57.4	61.6	50.2	51.7	56.0	60.1	47.7	49.1	53.2	57.1	44.2	45.5	49.3	52.9										
Cap MFD/V					S/T	0.87	0.78	0.59	0.38	0.89	0.80	0.60	0.39	0.92	0.82	0.62	0.40	0.95	0.85	0.65	0.42	0.96	0.86	0.65	0.42										
CC Heater				AMPS	21.2	21.6	22.2	22.8	22.7	23.1	23.7	24.5	23.9	24.4	25.1	25.9	25.2	25.7	26.5	27.3	26.5	27.0	27.8	28.7											
Start Kit				HI PR	207	223	235	246	236	254	268	279	268	289	305	318	302	325	343	358	334	359	379	395											
Cond & Evap	Cond	Evap		LO PR	62	66	72	76	64	68	74	79	67	72	78	83	71	75	82	87	73	78	85	90											
Type	Fan	Blower		80	MBh	53.7	54.8	58.6	62.6	52.4	53.5	57.2	61.1	51.1	52.2	55.8	59.7	48.6	49.6	53.0	56.7	45.0	46.0	49.1	52.5										
Size	20	DD11-8			S/T	0.95	0.89	0.73	0.54	0.98	0.92	0.75	0.56	1.00	0.95	0.77	0.58	1.00	0.98	0.80	0.60	1.00	0.99	0.81	0.60										
Motor-HP	1/3	1		AMPS	21.3	21.8	22.3	23.0	22.8	23.3	23.9	24.7	24.1	24.6	25.3	26.1	25.4	25.9	26.7	27.5	26.7	27.2	28.0	28.9											
Type	PSC	PSC		HI PR	209	225	238	248	238	256	270	282	271	292	308	321	305	328	347	361	337	363	383	399											
FLA	1.7	4.5		LO PR	62	66	72	77	65	69	75	80	68	72	79	84	71	76	83	88	74	78	86	91											
LRA	5	13		85	MBh	54.6	55.7	58.3	62.2	53.3	54.3	56.9	60.7	52.0	53.0	55.5	59.2	49.4	50.4	52.7	56.3	45.8	46.7	48.9	52.1										
RPM	1140	1075			S/T	1.00	0.96	0.87	0.71	1.00	0.99	0.89	0.72	1.00	1.00	0.92	0.75	1.00	1.00	0.96	0.78	1.00	1.00	0.96	0.78										
Cap MFD/V	7.5/370	20/370		AMPS	21.5	21.9	22.5	23.2	23.0	23.5	24.1	24.9	24.3	24.8	25.5	26.3	25.6	26.1	26.9	27.8	26.9	27.5	28.2	29.2											
PTCR	N/A			HI PR	211	227	240	250	240	259	273	285	274	295	311	324	308	331	350	365	340	366	387	403											
Hi Press	N/A			LO PR	63	67	73	78	65	70	76	81	69	73	80	85	72	77	84	89	74	79	86	92											
Low Press	N/A			Air Delivery in CFM - Dry Coil - No Filter (Add .05 static for Wet Coil)																															
Operating Chg (No Lines)*	(R-22 Oz)	106		230 Volt	External Static Press (Inch Water Column)								208 Volt	External Static Press (Inch Water Column)																					
Service Driers				Speed Tap	0.15	0.25	0.35	0.45	0.55	0.65	0.75	Speed Tap	0.15	0.25	0.35	0.45	0.55	0.65	0.75																
Liquid/Chg	30 Cu In / 17 oz			HI	-	2214	2139	2050	1948	1866	1808	HI	-	1881	1818	1742	1655	1586	1536																
Suction	30 Sq In			MD HI	-	1919	1878	1837	1789	1737	1692	MD HI	-	1631	1596	1561	1520	1476	1438																
Unit Weight	295			MD LO	-	-	-	-	-	-	-	MD LO	-	-	-	-	-	-	-	1083741															
				LO	-	-	-	-	-	-	-	LO	-	-	-	-	-	-	-	5/14/97															

DANGER: ELECTRICAL SHOCK HAZARD - DISCONNECT POWER BEFORE SERVICING

CONNECTION WIRING DIAGRAM



COLOR CODE

BLACK...BK	ORANGE...O
BLUE...BL	RED...R
BROWN...BR	VIOLET...V
GRAY...GY	WHITE...W
GREEN...G	YELLOW...Y

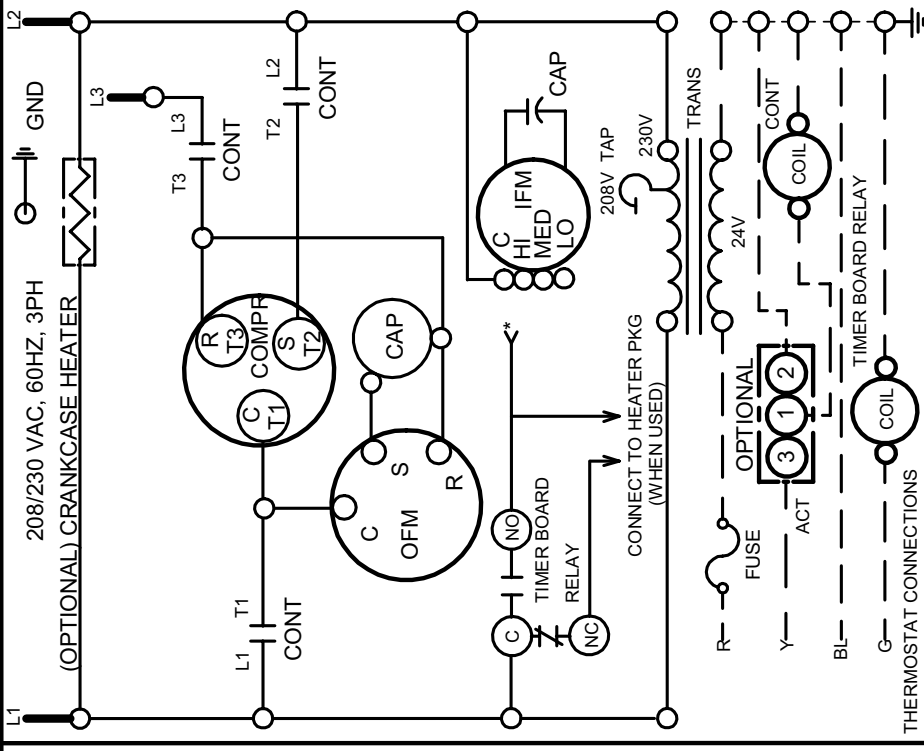
LINE CODE

—	LINE VOLTAGE FACTORY
---	LINE VOLTAGE FIELD
- - -	LOW VOLTAGE FACTORY
- - -	LOW VOLTAGE FIELD

LEGEND

TRANS....	TRANSFORMER
COMPR....	COMPRESSOR
CAP	CAPACITOR
LVTB...LO	VOLT TERM BRD
GND.....	GROUND

LADDER WIRING DIAGRAM



IF ANY OF THE ORIGINAL WIRE AS SUPPLIED WITH THE APPLIANCE MUST BE REPLACED, IT MUST BE REPLACED WITH TYPE AWM-105°C OR ITS EQUIVALENT.

* SEE INSTALLATION INSTRUCTIONS FOR PROPER HEATING AND COOLING CONNECTIONS FOR YOUR UNIT

LEGEND

TC....	TERMINAL CONNECTOR	PRI.....	PRIMARY
OFM..	OUTDOOR FAN MTR	CH....	CRANKCASE HEATER
IFM..	INDOOR FAN MTR	OPT	OPTIONAL
IFMC..	INDOOR FAN MTR CONTROL SEC.....	SECONDARY	
ACT....	ANTICYCLE TIMER	1111234	

