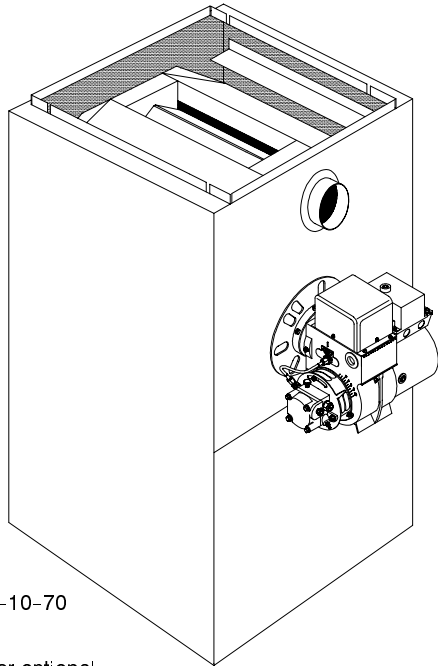


PARTS LIST

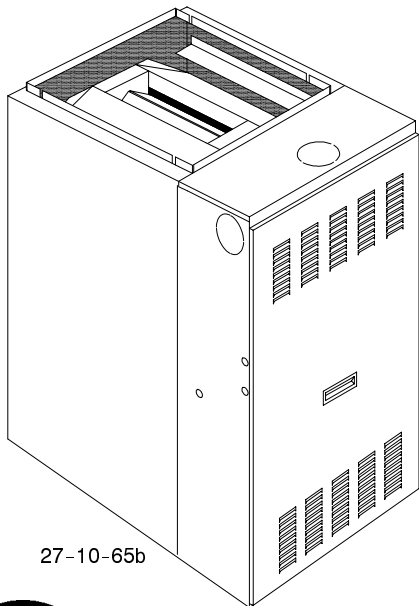
AND WIRING DIAGRAM



27-10-70

Vestibule cover optional
burner ordered separately.

LMO5/OML Series Multipoise Oil Fired Furnace



27-10-65b

Models

LMO5075BEB1
LMO5100BGB1
LMO5125BKB1

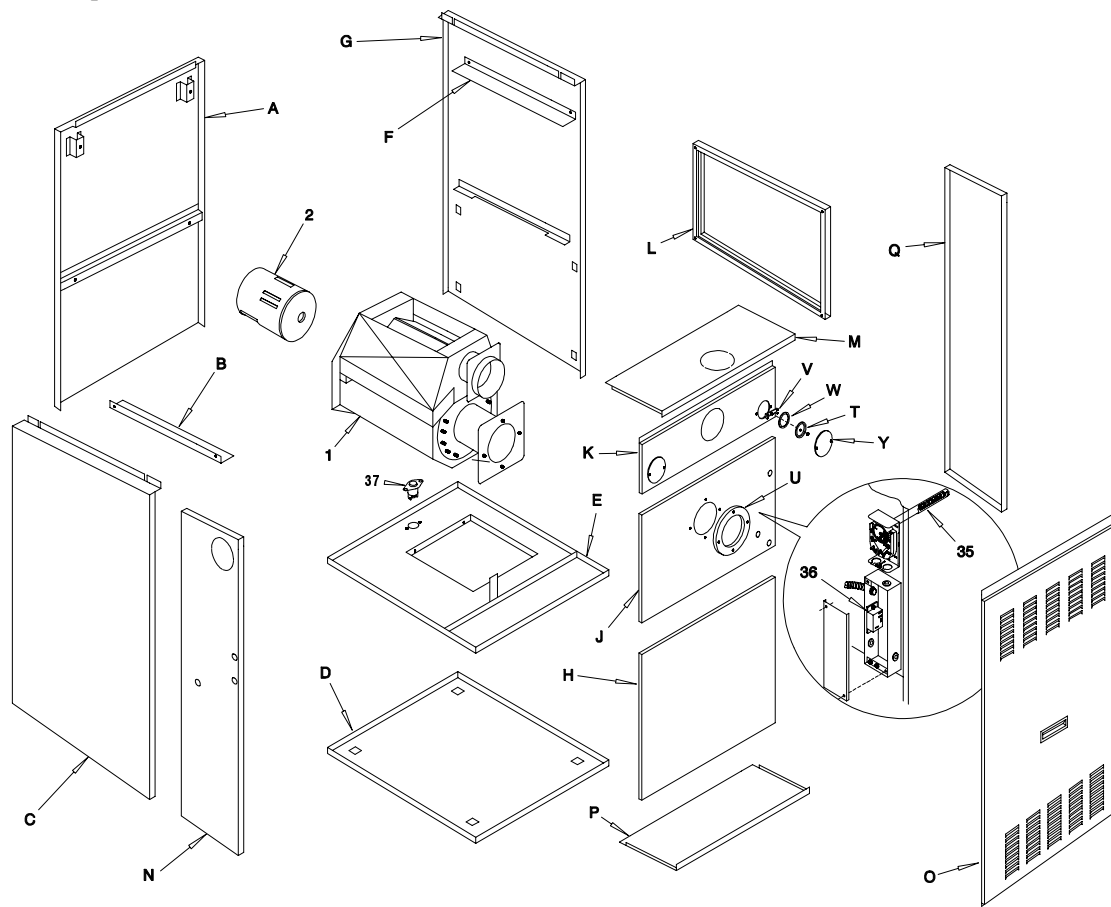
OML075B10B1
OML100B14B1
OML125B20B1



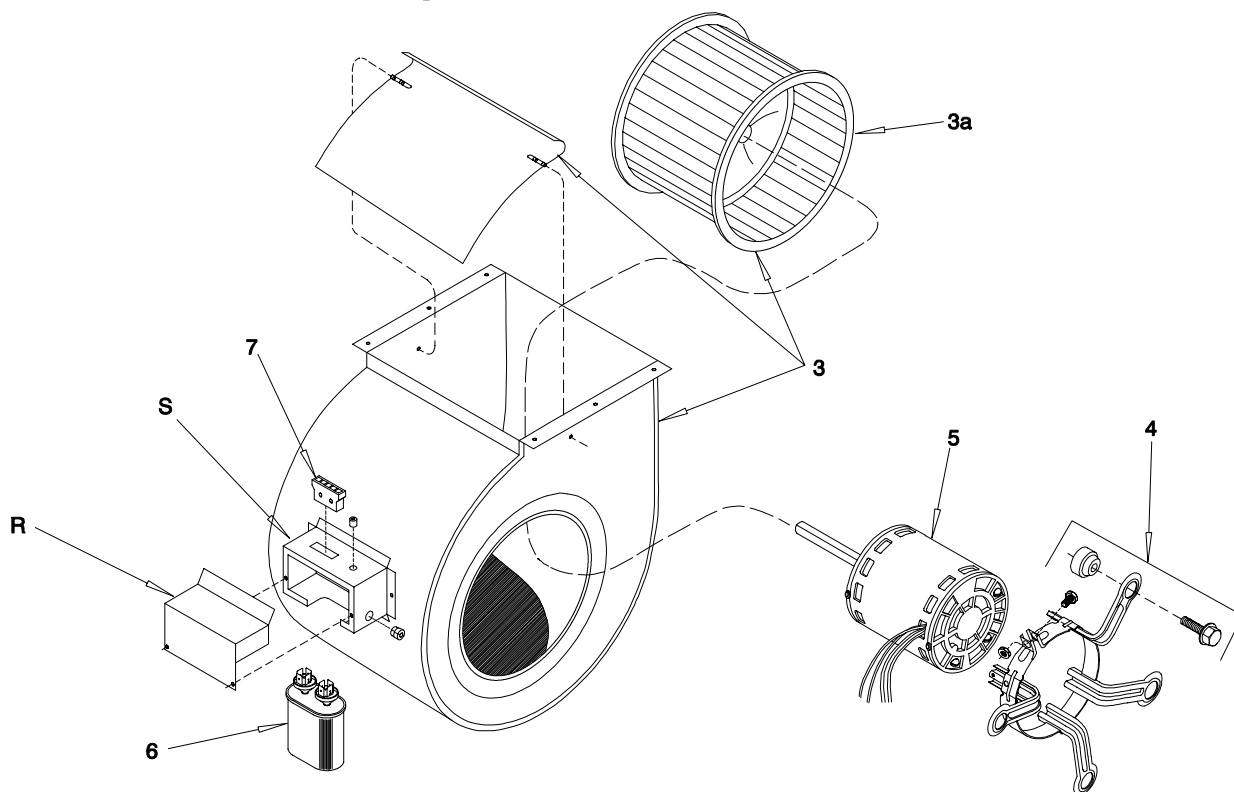
International Comfort Products Corporation (USA)
Lewisburg, TN USA 37091

Save This Manual For Future Reference

Replacement Parts - Furance and Vestibule

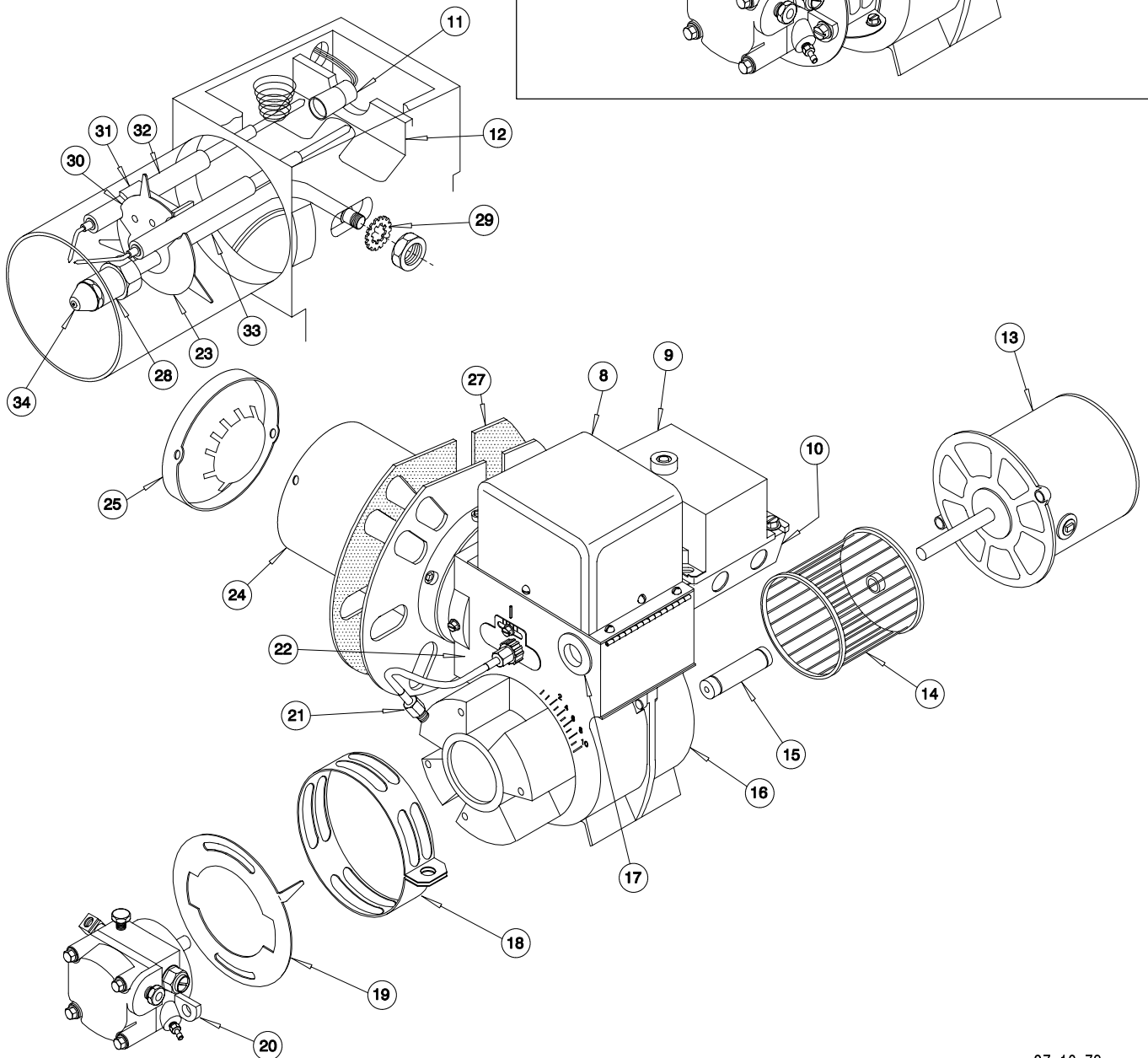
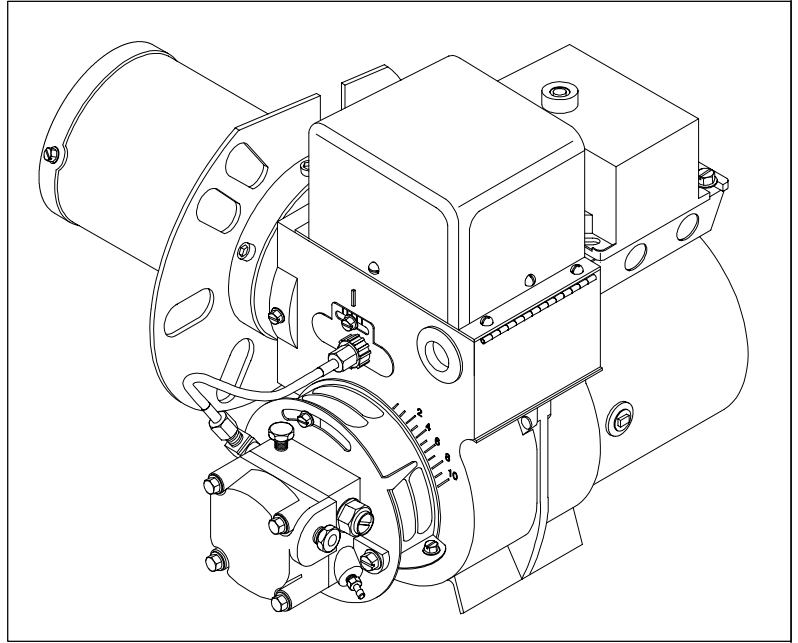


Replacement Parts - Blower



27-10-78

Replacement Parts - Beckett Oil Burner



27-10-79

Replacement Parts - LMO5/OML

Models - LMO5075BEB1, LMO5100BGB1, LMO5125BKB1 / OML075B10B1, OML100B14B1, OML125B20B1

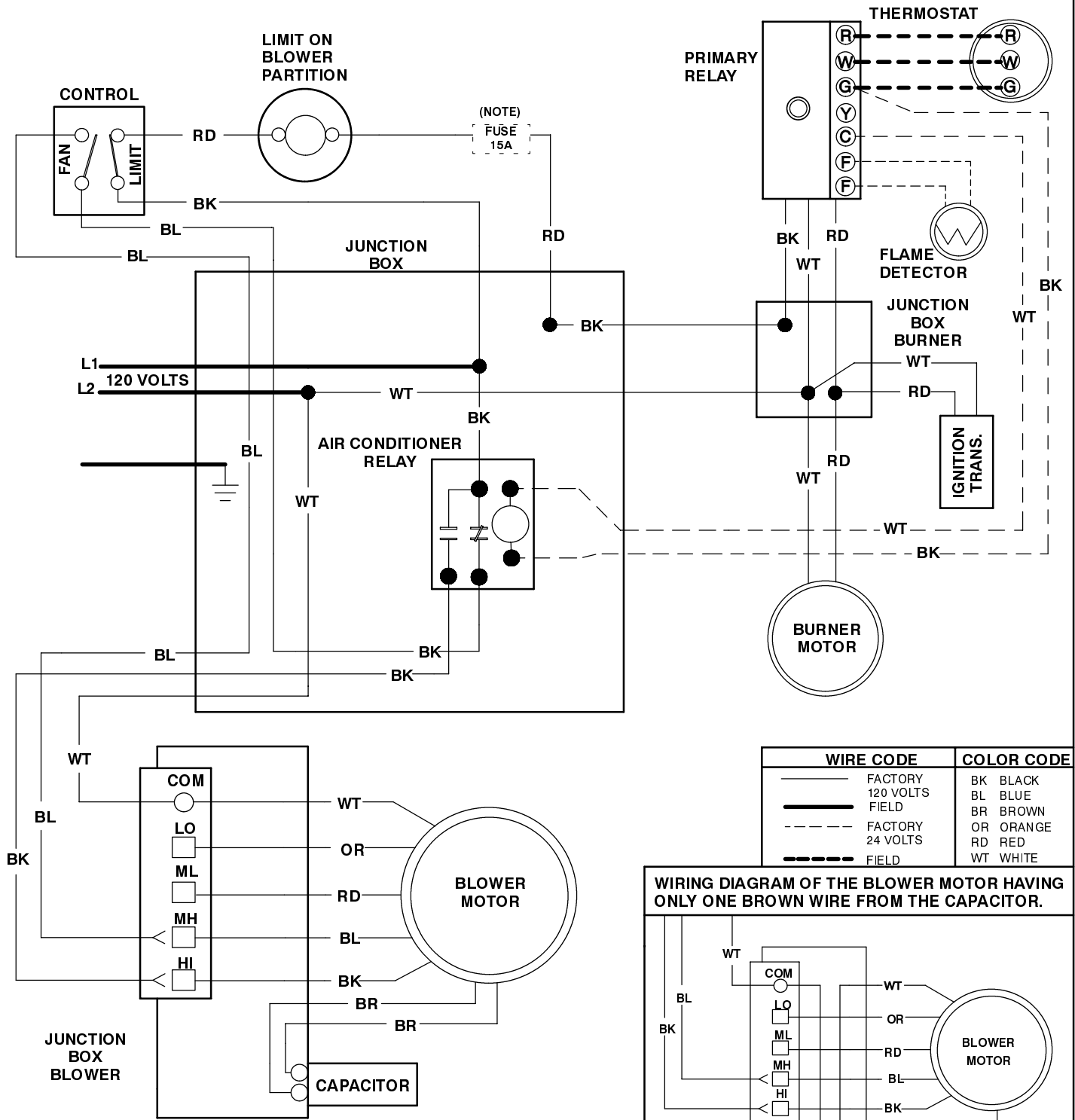
Replacement part supplied will be current active part. For parts not listed, consult place of purchase.

Key No.	Description Functional	Part Number	075	100	125	Key No.	Description Non-Functional	Part Number	075	100	125
1	Heat Exchanger	318040024	1	-	-	A	Back Panel	318050106	1	-	-
		118040024	-	1	-			118050106	-	1	-
		518040024	-	-	1			518050106	-	-	1
2	Combustion Chamber	51007510	1	-	-	B	Air Baffle Right	318050205	1	-	-
		51010010	-	1	-			118050205	-	1	-
		51012510	-	-	1			518050205	-	-	1
3	Housing - Wheel Asy.	1162382	1	-	-	C	Side Panel Right	318050166	1	-	-
		1162383	-	1	-			118050166	-	1	-
		1162384	-	-	1			518050166	-	-	1
3a	Wheel Only	1162422	1	-	-	D	Base	318050095	1	-	-
		1162423	-	1	-			118050095	-	1	-
		1162424	-	-	1			518050095	-	-	1
4	Kit for Motor Mount (Inc. No.3)	51890010	1	-	-	E	Blower Partition	318050025	1	-	-
		51890020	-	1	-			118050025	-	1	-
		51890030	-	-	1			518050025	-	-	1
5	Blower Motor $\frac{1}{3}$ HP	0500040	1	-	-	F	Air Baffle Left	418050205	1	-	-
	$\frac{1}{2}$ HP	0500060	-	1	-			218050205	-	1	-
	$\frac{3}{4}$ HP	0500070	-	-	1			618050205	-	-	1
6	Capacitor 10.0 MFD 370V	100192	1	1	-	G	Side Panel Left	418050166	1	-	-
	15.0 MFD 370V	100193	-	-	1			218050166	-	1	-
7	Terminal Block	96471	1	1	1			618050166	-	-	1
8	Transformer, Ignition	1150466	1	1	1	H	Blower Access Door	318050215	1	-	-
9	Relay, Primary	612454	1	1	1			118050215	-	1	-
10	Junction Box	1650257	1	1	1			518050215	-	-	1
11	Cad Cell	636063	1	1	1	J	Middle Front Panel	318050375	1	-	-
12	Baffle	1150900	1	-	-			118050375	-	1	-
13	Motor	1150461	1	1	1			518050375	-	-	1
14	Wheel	1650237	1	1	1	K	Top Front Panel	318050365	1	-	-
15	Coupling	1150450	1	1	1			118050365	-	1	-
16	Housing, Burner	1162366	1	1	1			518050365	-	-	1
17	Plug, Hole	1150459	1	1	1	L	Air Filter Rack	318050285	1	-	-
18	Band, Air	1150446	1	1	1			118050285	-	1	-
19	Shutter, Air	1650234	1	1	1			518050285	-	-	1
20	Pump, Oil Single Stage	610467	1	1	1	M	Top Panel, (Optional Vestibule)	318050245	1	-	-
21	Tube, Connector Asy	1150449	1	1	1			118050245	-	1	-
22	Plate, Escutcheon	1150453	1	1	1			518050245	-	-	1
23	Nozzle Line Elect Asy.	1162367	1	-	-	N	Side Panel Left, (Optional Vestibule)	418050255	1	-	-
		1162368	-	1	1			218050255	-	1	-
24	Tube, Air Combustion *	1162389	1	-	-			618050255	-	-	1
		1162390	-	1	1	O	Front Panel, (Optional Vestibule)	318050275	1	-	-
25	Head, Oil Burner F-3	1150458	1	1	1			118050275	-	1	-
27	Gasket, Flange	1006836	1	1	1			518050275	-	-	1
28	Adapter, Nozzle	1650268	1	1	1	P	Base, (Optional Vestibule)	318050235	1	-	-
29	Spacer, Spider	1150465	1	1	1			118050235	-	1	-
30	Plate, Static $3\frac{3}{8}$ R	1162370	1	-	-			518050235	-	-	1
	$2\frac{3}{4}$ U	1650272	-	1	1	Q	Side Panel Right, (Optional Vestibule)	318050255	1	-	-
31	Clamp, Electrode	1150451	1	1	1			118050255	-	1	-
32	Electrode & Insulator	1150452	2	2	2			518050255	-	-	1
33	Line, Oil	1162371	1	-	-	R	Junction Box Cover	35071519	1	1	1
		1162372	-	1	1	S	Junction Box	95076	1	1	-
34	Nozzle, 0.65 GPH x 70W	1162374	1	-	-			95078	-	-	1
	0.50 GPH x 70W	1162375	1	-	-	T	Cover, Radiator Cleanout	68765	1	1	1
	0.60 GPH x 70W	1162376	1	-	-			11807012	-	1	-
	0.75 GPH x 70W	1162377	-	1	-	U	Gasket Spacer	68766	1	1	1
	0.85 GPH x 70W	1162378	-	1	-	V	Clamp, Radiator Cleanout	68879	1	1	1
	1.00 GPH x 70W	1162379	-	-	1	W	Gasket, Radiator Cleanout	1004796	1	1	1
	0.90 GPH x 70W	1162380	-	-	1	Y	Cover, Cleanout				
	1.10 GPH x 70W	1162381	-	-	1)	Not shown	1805051	1	-	-
35	Control, Fan & Limit	1162426	1	1	-)	Radiant Shield	11805051	-	1	1
		1162425	-	-	1						
36	Relay, A/C	11803024	1	1	1						
37	Aux, Limit	711410	1	1	1						

* Air tube combination includes air tube, end cone, and nozzle-line-elect assembly (less nozzle)

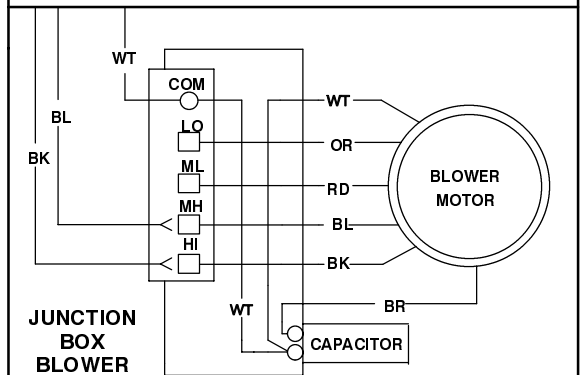
CONNECTION DIAGRAM

**DANGER: ELECTRICAL SHOCK HAZARD
DISCONNECT POWER BEFORE SERVICING.**



WIRE CODE	COLOR CODE
— (Solid line)	FACTORY 120 VOLTS
— (Thick solid line)	FIELD 120 VOLTS
— (Thin solid line)	FACTORY 24 VOLTS
- - - (Dashed line)	FIELD 24 VOLTS
- - - (Thick dashed line)	FIELD
BK	BLACK
BL	BLUE
BR	BROWN
OR	ORANGE
RD	RED
WT	WHITE

WIRING DIAGRAM OF THE BLOWER MOTOR HAVING ONLY ONE BROWN WIRE FROM THE CAPACITOR.



IF NECESSARY:
WIRE MUST BE REPLACED WITH THE SAME TYPE:
AWM 105°C 4/64 ISOLATION OR EQUIVALENT.

**NOTE:
FUSE ON LMO5125BKA
AND OLM125B20A ONLY.**