

NXH5 SERIES

Parts List

Sizes 18 – 60

R-410A Split System Heat Pump



International Comfort Products, LLC
Lewisburg, Tennessee 37091 USA

NXH5 PARTS LIST

KEY NO.	DESCRIPTION	FAST PARTS NO.	GKA100							
			NXH518GKA100	NXH524GKA100	NXH530GKA100	NXH536GKA100	NXH537GKA100	NXH542GKA100	NXH548GKA100	NXH560GKA100
01	COMP ZP16K5E-PFV-130	ZP16K5EPFV130	1	-	-	-	-	-	-	-
01	COMP ZP21K5E-PFV-130	ZP21K5EPFV130	-	1	-	-	-	-	-	-
01	COMP ZP25K5E-PFV-130	ZP25K5EPFV130	-	-	1	-	-	-	-	-
01	COMP ZP31K5E-PFV-130	ZP31K5EPFV130	-	-	-	1	1	-	-	-
01	COMP ZP38K5E-PFV-130	ZP38K5EPFV130	-	-	-	-	-	1	-	-
01	COMP ZP42K5E-PFV-130	ZP42K5EPFV130	-	-	-	-	-	-	1	-
01	COMP ZP51K5E-PFV-130	ZP51K5EPFV130	-	-	-	-	-	-	-	1
02	MTR CND 1/230 1/12 800	1173716	1	1	1	-	-	-	-	-
02	MTR CND 1/230 1/5 810	1173660	-	-	-	1	1	1	-	-
02	MTR CND 1/230 1/4 825	1173665	-	-	-	-	-	-	1	1
03	FAN C 24" 3B 1/2" 15 INT	1173721	1	-	-	-	-	-	-	-
03	FAN C 26" 3B 1/2" 16 INT	1174940	-	1	1	-	-	-	-	-
03	FAN C 26" 3B 1/2" 21 INT	1173661	-	-	-	1	1	1	-	-
03	FAN C 26" 3B 1/2" 24 INT	1172716	-	-	-	-	-	-	1	1
04	CONTACTOR 1P 30A 24V W/SHUNT	1172472	1	1	1	1	1	1	1	-
04	CONTACTOR 1P 40A	1176763	-	-	-	-	-	-	-	1
05	CAP RN RD 370V 5+30	1172109	1	-	-	-	-	-	-	-
05	CAP RN RD 370V 5+40	1172147	-	1	1	-	-	-	-	-
05	CAP RN RD 370V 5+45	1172124	-	-	-	1	1	1	-	-
05	CAP RN RD 370V 7.5+70	1172295	-	-	-	-	-	-	1	1
06	COND COIL ASSY	1179380	1	-	-	-	-	-	-	-
06	COND COIL ASSY	1179381	-	1	-	-	-	-	-	-
06	COND COIL ASSY	1179382	-	-	1	-	-	-	-	-
06	COND COIL ASSY	1179383	-	-	-	1	-	-	-	-
06	COND COIL ASSY FORMED	1174931	-	-	-	-	1	-	-	-
06	COND COIL ASSY	1179384	-	-	-	-	-	1	1	-
06	COND COIL ASSY	1179385	-	-	-	-	-	-	-	1
07	VALVE SVC PARK SUC 10S-10S	1172725	1	1	-	-	-	-	-	-
07	VALVE SVC PARK SUC 12S-12S	1172726	-	-	1	1	1	-	-	-
07	VALVE SVC PARK SUC 14S-14S	1172727	-	-	-	-	-	1	1	1
08	VALVE SERVICE LIQUID	1173629	1	1	1	1	1	1	1	1
09	PLUG COMP WIRE (SM) 14GAX38"	1172729	1	-	-	-	-	-	-	-
09	PLUG COMP WIRE (SM) 52"	1174930	-	1	-	-	-	-	-	-
09	PLUG COMP WIRE (SM) 12GAX38"	1172730	-	-	1	-	-	-	-	-
09	PLUG COMP WIRE (SM) 12GAX44"	1172731	-	-	-	1	1	1	1	-
09	PLUG COMP WIRE (SM) 10GAX54"	1172732	-	-	-	-	-	-	-	1
10	GROMMET COMPRESSOR 1.62"DIA	1171270	4	4	4	4	4	4	4	4
11	BOLT SHLDR COMP. MTG,	1173630	4	4	4	4	4	4	4	4
12	VALVE REV W/COIL 24V	1173715	1	1	-	-	-	-	-	-
12	VALVE REV W/COIL 24V	1175621	-	-	-	-	1	-	-	-
12	VALVE REVERSING	1175621	-	-	1	1	-	-	-	-
12	VALVE REVERSING	1175622	-	-	-	-	-	1	1	1
13	COIL REV VLV 24V	1172574	1	1	1	1	1	1	1	1
14	HARNESS ASSY 52" RVS PLUG	1179387	1	1	1	1	1	1	1	1
15	ACCUMULATOR	1172312	1	-	-	-	-	-	-	-
15	ACCUMULATOR 174 3/4 5" DIA	1174937	-	1	-	-	-	-	-	-
15	ACCUMULATOR	1176606	-	-	1	-	-	-	-	-
15	ACCUMULATOR	1174703	-	-	-	1	1	-	-	-
15	ACCUMULATOR	1172122	-	-	-	-	-	1	-	-
15	ACCUMULATOR 174 IN3 7/8	1173714	-	-	-	-	-	-	1	-
15	ACCUMULATOR	1172313	-	-	-	-	-	-	-	1

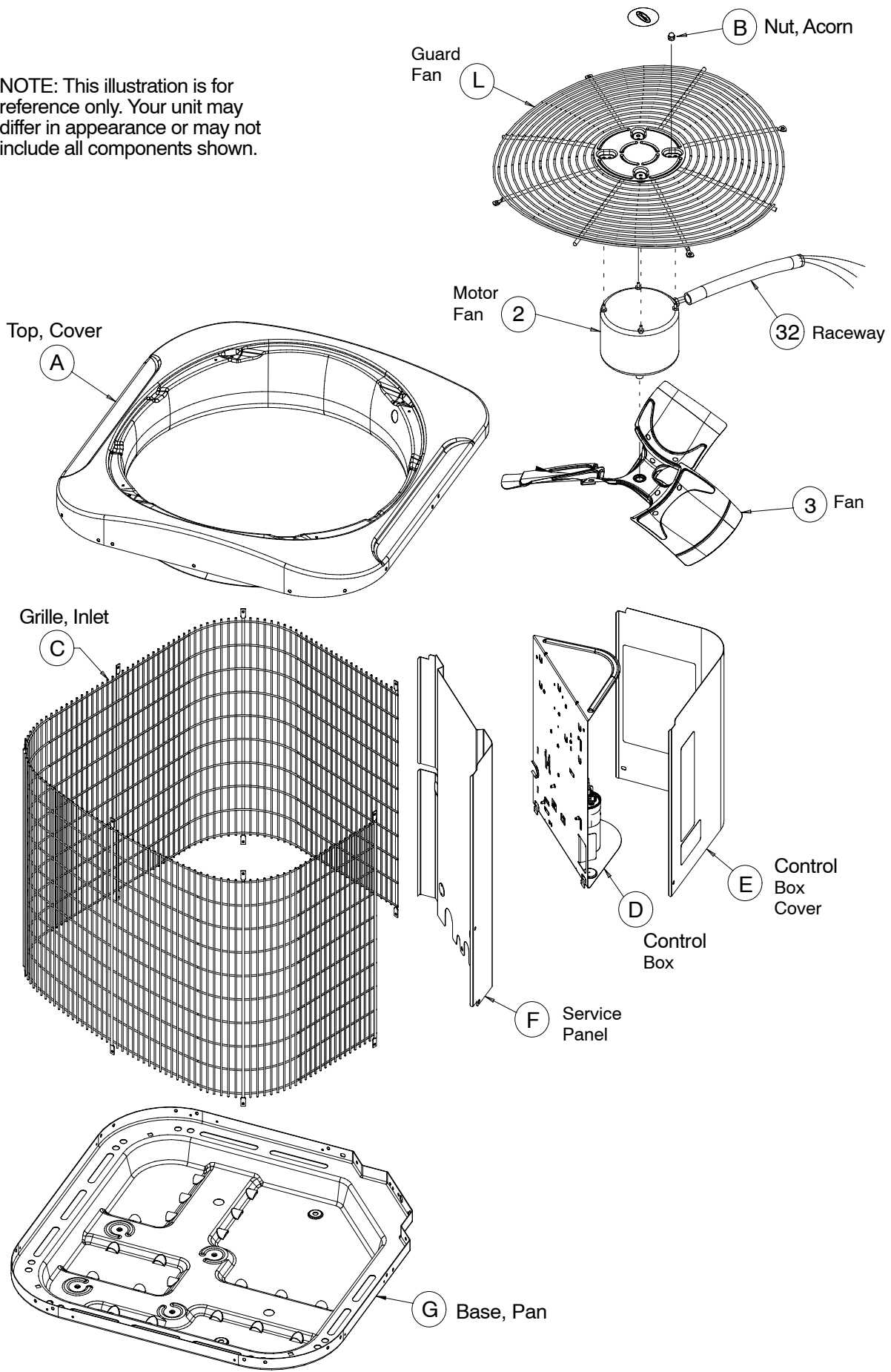
NXH5 PARTS LIST (continued)

KEY NO.	DESCRIPTION	FAST PARTS NO.								
			NXH518GKA100	NXH524GKA100	NXH530GKA100	NXH536GKA100	NXH537GKA100	NXH542GKA100	NXH548GKA100	NXH560GKA100
16	CAPILLARY ASSY FORMED	1174096	1	1	1	1	1	1	1	1
17	PRESSURE SWITCH LOW	1176661	1	1	1	1	1	1	1	1
18	PISTON CHATLEFF .042	1173634	1	-	-	-	-	-	-	-
18	PISTON CHATLEFF .046	1173650	-	1	-	-	-	-	-	-
18	PISTON .052	1174060	-	-	1	-	-	-	-	-
18	PISTON .059	1173871	-	-	-	-	1	-	-	-
18	PISTON CHATLEFF .061	1173663	-	-	-	1	-	1	-	-
18	PISTON CHATLEFF .067	1173867	-	-	-	-	-	-	1	-
18	PISTON .076	1173673	-	-	-	-	-	-	-	1
19	SWITCH PRESSURE HIGH	1174695	1	1	1	1	1	1	1	1
20	DISTRIBUTOR	1172020	1	-	-	-	-	-	-	-
20	DISTRIBUTOR	1172021	-	1	1	-	-	-	-	-
20	DISTRIBUTOR	1172022	-	-	-	1	1	-	-	-
20	DISTRIBUTOR	1173998	-	-	-	-	-	1	1	-
20	DISTRIBUTOR	1174018	-	-	-	-	-	-	-	1
22	SENSOR DEFROST O65 C32	1173637	1	1	1	1	1	1	1	1
23	MUFFLER	1173668	1	1	1	1	1	1	1	1
24	FILTER DRIER ASSY	1173991	1	1	1	1	1	1	1	-
24	FILTER DRIER ASSY	1174010	-	-	-	-	-	-	-	1
26	DEFROST CONTROL BOARD	1173636	1	1	1	1	1	1	1	1
28	CAP FLARE	1172410	1	1	1	1	1	1	1	1
29	GROMMET ACCUMULATOR CUSHION	1172806	1	1	1	1	1	1	1	1
30	CLIP ACCUM	1173640	1	1	1	1	1	1	1	1
31	RETAINER PISTON	1173641	1	1	1	1	1	1	1	1
32	RACEWAY	1171428	1	-	-	-	-	-	-	-
32	RACEWAY	1175919	-	1	1	1	1	1	1	1
33	LUG GROUND	1172300	1	1	1	1	1	1	1	1
34	HARNESS ASSY	1174744	1	1	1	1	1	1	1	1
35	HTR CC WP 40W240V TCH-245	1173944	-	-	-	-	-	-	-	1
35	HTR CC WP 40W240V TCH-268	1174709	-	-	-	-	1	-	-	-
36	SWITCH TEMP DISC O85 C65	1173669	-	-	-	-	1	-	-	1
A	TOP COVER ASY	1178565	-	1	1	1	1	1	1	1
A	TOP COVER ASY	1178643	1	-	-	-	-	-	-	-
B	NUT CAP HEX	1172740	4	4	4	4	4	4	4	4
C	GRILLE INLET	1178774	1	-	-	-	-	-	-	-
C	GRILLE INLET	1178912	-	1	1	-	-	-	-	-
C	GRILLE INLET	1178790	-	-	-	1	1	-	-	-
C	GRILLE INLET	1178803	-	-	-	-	-	1	1	-
C	GRILLE INLET	1178791	-	-	-	-	-	-	-	1
D	BOX CONTROL	1173643	1	1	1	1	1	1	1	1
E	KIT CONTROL BOX COVER	1179369	1	-	-	-	-	-	-	-
E	KIT CONTROL BOX COVER	1179370	-	1	-	-	-	-	-	-
E	KIT CONTROL BOX COVER	1179371	-	-	1	-	-	-	-	-
E	KIT CONTROL BOX COVER	1179372	-	-	-	1	-	-	-	-
E	KIT CONTROL BOX COVER	1179030	-	-	-	-	1	-	-	-
E	KIT CONTROL BOX COVER	1179373	-	-	-	-	-	1	-	-
E	KIT CONTROL BOX COVER	1179374	-	-	-	-	-	-	1	-
E	KIT CONTROL BOX COVER	1179375	-	-	-	-	-	-	-	1
F	SVCE PNL ASSY	1178324	1	-	-	-	-	1	1	-
F	SVCE PNL ASSY	1178528	-	1	1	-	-	-	-	-
F	SVCE PNL ASSY	1178325	-	-	-	1	1	-	-	-

NXH5 PARTS LIST (continued)

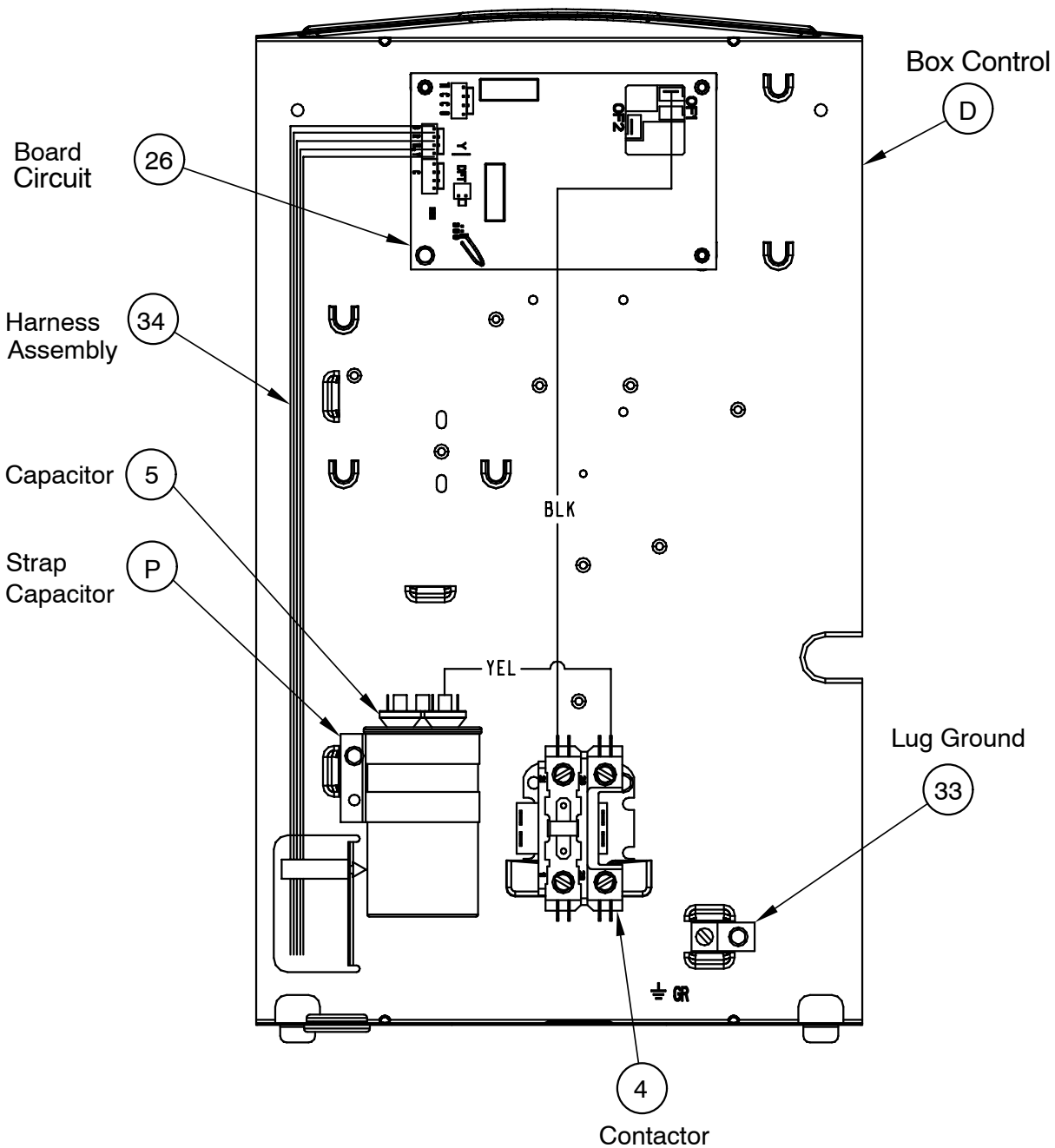
KEY NO.	DESCRIPTION	FAST PARTS NO.	NXH518GKA100	NXH524GKA100	NXH530GKA100	NXH536GKA100	NXH537GKA100	NXH542GKA100	NXH548GKA100	NXH560GKA100
F	SVCE PNL ASSY	1178326	-	-	-	-	-	-	-	1
G	BASE PAN ASSY	1178308	1	-	-	-	-	-	-	-
G	BASE PAN ASSY	1178309	-	1	1	1	1	1	1	1
L	GUARD FAN	1179392	1	-	-	-	-	-	-	-
L	GUARD FAN	1178604	-	1	1	1	1	1	1	1
N	SUPPORT COIL	1174068	5	5	5	5	5	5	5	5
P	CLAMP CAPACITOR ROUND 2.0"D	1172734	1	1	1	1	1	1	-	-
P	CLAMP CAPACITOR ROUND 2.5"D	1172735	-	-	-	-	-	-	1	1
PARTS NOT SHOWN										
)	GROMMET	1171737	1	1	1	1	1	1	1	1
)	FILTER DRIER ASSY	1173991	-	-	-	-	-	-	-	1
)	DRIER FILTER SUCT LINE 8.0 CI	1174194	1	1	1	1	1	-	-	-
)	DRIER FILTER SUCT LINE 15.0 CI	1174193	-	-	-	-	-	1	1	1
)	KIT ADAPTER ASSY	1174192	1	1	1	1	1	1	1	1
)	CAP SERVICE KIT 11/16-20	1175650	1	1	1	1	1	1	1	1
)	CAP SERVICE KIT 15/16-20	1175651	1	1	1	1	1	-	-	-
)	CAP SERVICE KIT 1-1/16-20	1175652	-	-	-	-	-	1	1	1
)	PAINT TOUCH UP BALTIC GRY 1 PT	1178322	1	1	1	1	1	1	1	1
)	KIT PISTON TOOL BODY RESIZER	1175477	1	1	1	1	1	1	1	1
)	SCREW HEX HD 10AB X 3/8	1176782	14	14	14	14	14	14	14	14
)	SCREW HEX HEAD 12AB 5/8	1178281	4	4	4	4	4	4	4	4
)	SCREW HX HEAD 10AB 1/2	1178280	13	13	13	13	13	13	13	13

NOTE: This illustration is for reference only. Your unit may differ in appearance or may not include all components shown.



H/P CONTROL BOX, 208 / 230 VOLT, 1 PHASE

NOTE: This illustration is for reference only. Your unit may differ in appearance or may not include all components shown.



NOTE: This illustration is for reference only. Your unit may differ in appearance or may not include all components shown.

