

# Addendum

Pages 35 to 42 of X40030 Rev. G manual

Manufactured:

*ICP Corporation (Canada)*

*3400 Blvd Industriel Sherbrooke PQ Canada*

Model OLR105A12A change to OLR105A12B

Model OLR160B20A change to OLR160B20B

Model OUF105A12A change to OUF105A12B

Model OUF160B18A change to OUF160B18B

Model OLF105A12A change to OLF105A12B

Model NOLF105A12A change to NOLF105A12B

Model NOUF105A12A change to NOUF105A12B

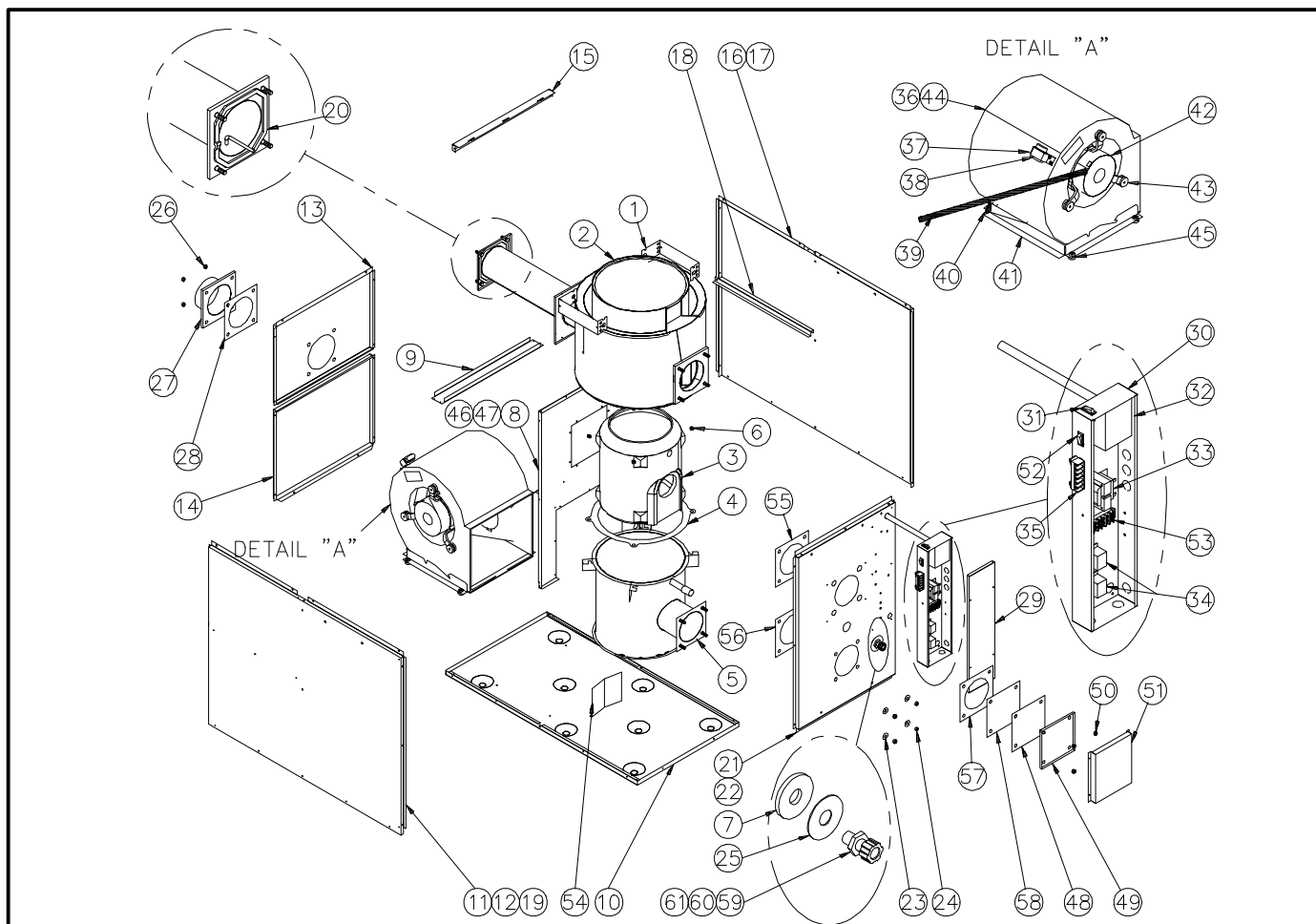
Model NOUF160B18A change to NOUF160B18B

**Refer to this addendum if your appliance is the new model. Refer to the rating plate to know the model number.**



## OIL WARM AIR FURNACE

**PART LIST**  
**Model : OLR105A12B**

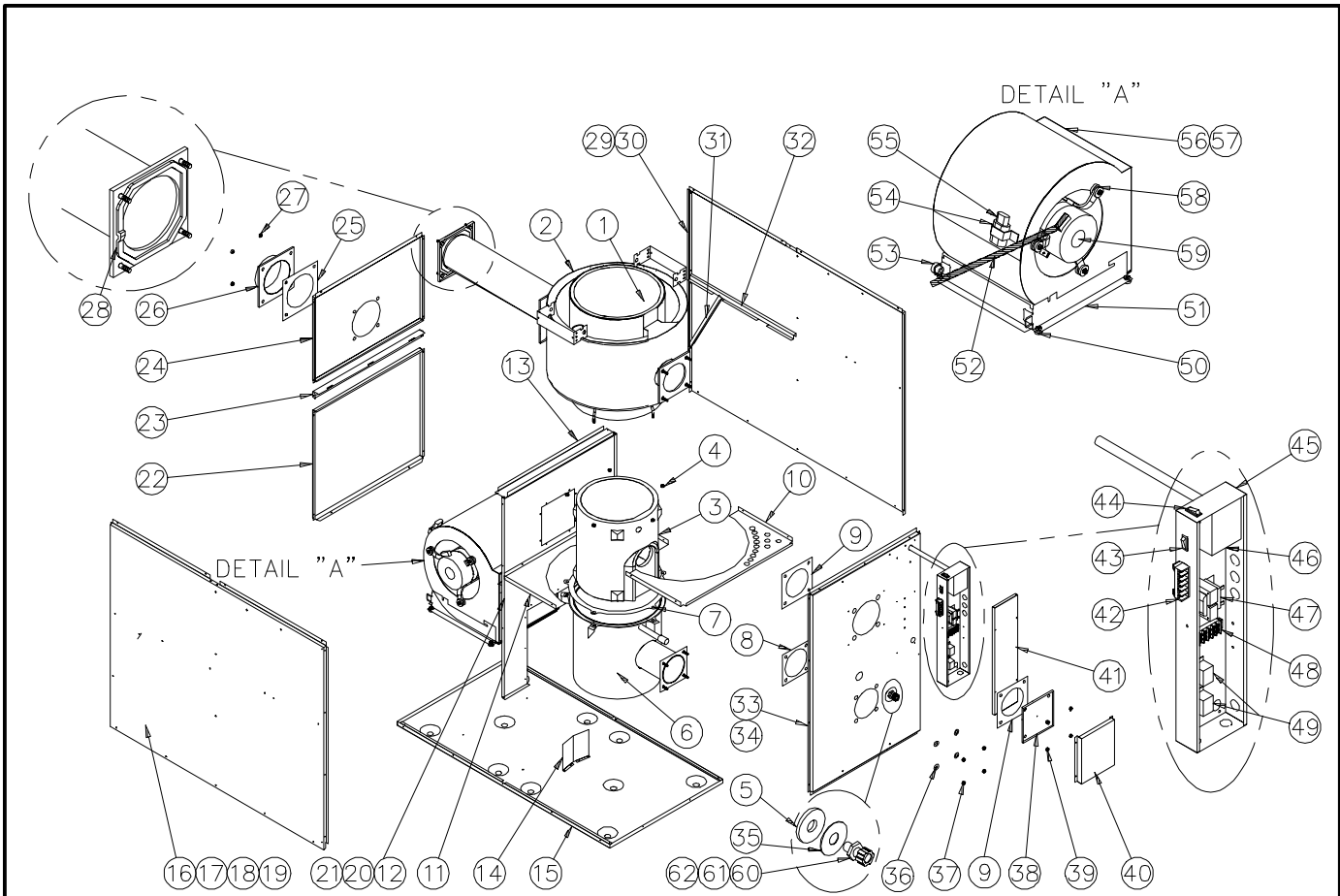


DNS-0564 Rev. D

ITEM	DESCRIPTION	MANUFAC.
1	Compleat heat exchanger	B30756-02
2	Top heat exchanger	B30465-02
3	Combustion chamber	B30414
4	Gasket, heat exchanger	B30517
5	Bottom heat exchanger	B30757
6	Hexagonal flange nut 3/8-16NC brass	F07O001
7	Gasket panel, peep hole	B30753
8	Division panel	B30488
9	Plenum divider	B30478
10	Floor	B30472
11	Left side panel ass'y	B30509-02
12	Left side panel insulation	B30493-04
13	Top rear panel	B30511
14	Blower door ass'y	B30512
15	Air filter drawer	B30507
16	Right side panel ass'y	B30509-01
17	Right side panel insulation	B30493-03
18	Right filter support	B30479-01
19	Left filter support	B30479-02
20	Gasket, extruded 1/2" X 1/8" x 25'	J06L001
21	Front panel ass'y	B30768-01
22	Front panel insulation	B30762
23	Washer 3/8" AA zinc	F06F005
24	Hexagonal nut 3/8-16NC brass	F07F024
25	Washer, peep hole	B30752
26	Hexagonal flange nut 3/8-16NC brass	F07O001
27A	5" breech plate	B30459
27B	3" breech plate	B30515
28	Gasket, breech plate	B30415-02
29	Electrical box cover (without cosmetic)	B40085
30	Electrical box	B30514
31	Rocker switch SPST	L07F003

ITEM	DESCRIPTION	MANUFAC.
32	Fan limit control	R02I005
33	Transformer 120/24 VAC / 40 VA	L01F009
34	Relay SPDT 24VAC	L01H009
35	Terminal strip, 6 positions	L05F011
36	Blower weel 10 X 10	Z01L002
37	Capacitor holder	B01024
38	5 MF capacitor	L01I001
39	Blower electrical kit	B30057
40	Screw cable tie	F11F007
41	Blower support bracket	B30473
42	1/3 HP direct drive motor	B01890-01
43	Motor mount ass'y	B01888
44A	Blower 10 X 10	Z01I004
44B	Blower ass'y	B01405-03
45	Rubber grommet #19	Z01F006
46	Sealing strip	B01291-01
47	Strip	B30188-02
48	Gasket, access cover	B30415-01
49	Flange plate	B30487
50	Hexagonal flange nut 3/8-16NC brass	F07O001
51	Access cover	B30486
52	Rocker switch SPST	L07F016
53	Terminal strip, 6 positions	A00336
54	Floor baffle	B30480
55	Gasket, access cover	B30415-02
56	Gasket, burner	B30534
57	Gasket, access cover	B30415-02
58	Gasket, sealing plate	B30533
59	Peep hole kit	K30011
60	Gasket, glass	B30055
61	Glass, neoceram	B30041-01

**PART LIST**  
**Model : OLR160B20B**

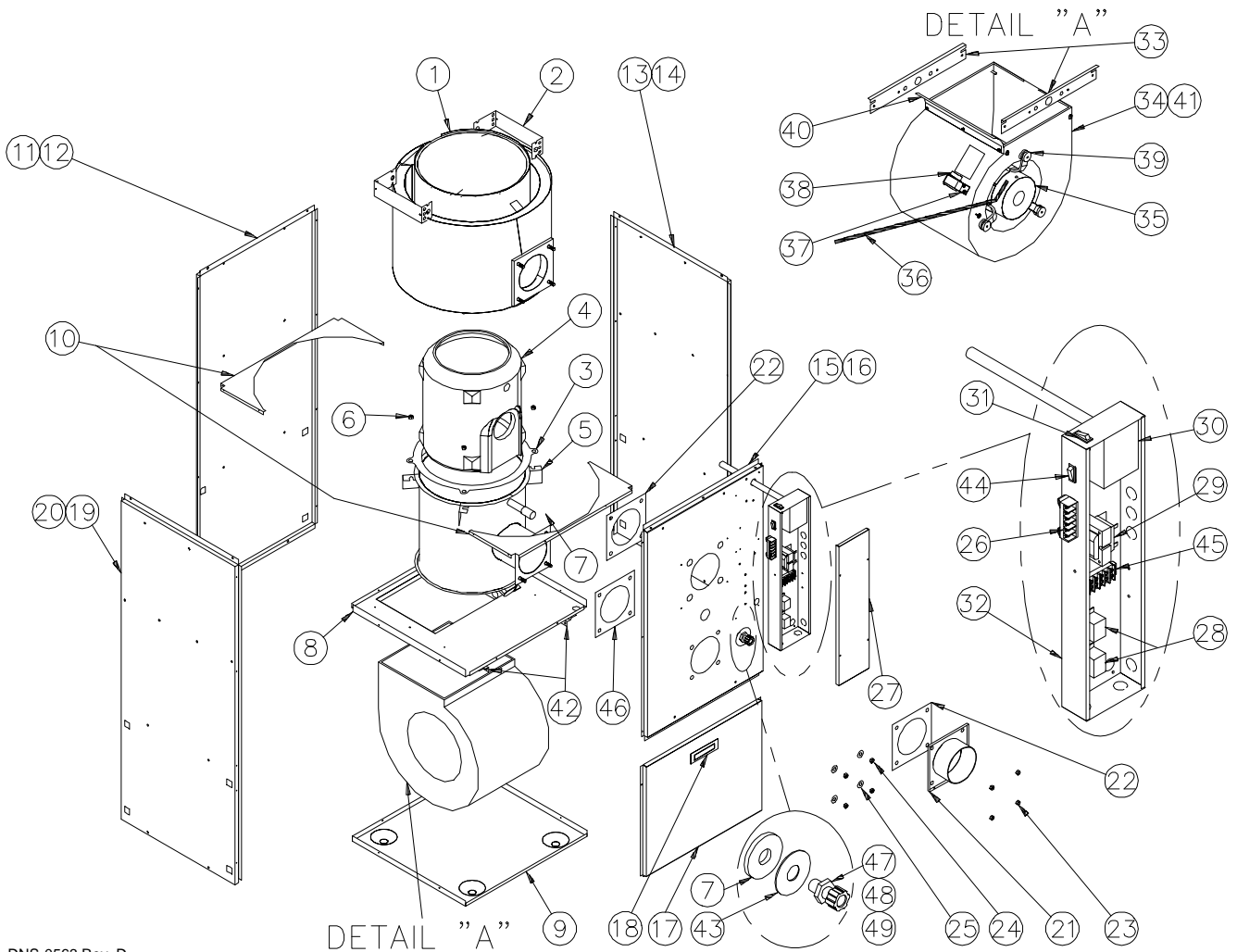


DNS-0567 Rev. D

ITEM	DESCRIPTION	MANUFAC.
1	Compleat heat exchanger	B30786-02
2	Top heat exchanger	B30596
3	Combustion chamber	B30584
4	Hexagonal flange nut 3/8-16NC brass	F07O001
5	Gasket, panel, peep hole	B30753
6	Bottom heat exchanger	B30787
7	Gasket, heat exchanger	B30532
8	Gasket, heat exchanger	B30534
9	Gasket, heat exchanger	B30415-02
10	Front baffle	B30665
11	Rear baffle	B30664
12	Division panel	B30666
13	Plenum divider	B30669
14	Floor baffle	B30481
15	Floor	B30663
16	Left side panel ass'y	B30680-02
17	Left side panel insulation	B30686-02
18	Left bottom filter support	B30668-02
19	Left top filter support	B30667
20	Strip	B10256-99
21	Sealing strip	B01291-02
22	Blower door ass'y	B30683
23	Air filter drawer	B30678
24	Top rear panel	B30682
25	Gasket, breech plate	B30589-01
26A	5" breech plate	B30646
26B	4" breech plate	B30647
27	Hexagonal flange nut 3/8-16NC brass	F07O001
28	Gasket, extruded 1/2" X 1/8" x 25'	J06L001
29	Right side panel ass'y	B30680-01
30	Right side panel insulation	B30686-01
31	Right bottom filter support	B30668-01

ITEM	DESCRIPTION	MANUFAC.
32	Right top filter support	B30667
33	Front panel ass'y	B30782-01
34	Front panel insulation	B30780
35	Washer, peep hole	B30752
36	Washer 3/8" AA zinc	F06F005
37	Hexagonal nut 3/8-16NC brass	F07F024
38	Flange plate	B30676
39	Hexagonal flange nut 3/8-16NC brass	F07O001
40	Access cover	B30486
41	Electrical box cover (without cosmetic)	B40085
42	Terminal strip, 6 positions	L05F011
43	Rocker switch SPST	L07F016
44	Rocker switch SPST	L07F003
45	Electrical box	B30514
46	Fan limit control	R021005
47	Transformer 120/24 VAC / 40 VA	L01F009
48	Terminal strip, 6 positions	A00336
49	Relay SPDT 24VAC	L01H009
50	Rubber grommet #19	Z01F006
51	Blower support bracket	B01756
52	Blower electrical kit	B30530-01
53	Strain release bushing SR-9P-2	L041010
54	Capacitor holder	B01024
55	15 MF capacitor	L011005
56	Blower wheel 12 X 10	Z01L003
57A	Blower 12 X 10	Z011008
57B	Blower ass'y	B01406-05
58	Motor mount ass'y	B01889
59	3/4 HP direct drive motor	L061004
60	Peep hole kit	K30011
61	Gasket, glass	B30055
62	Gasket, neoceram	B30041-01

**PART LIST**  
**Model : OUF105A12B**

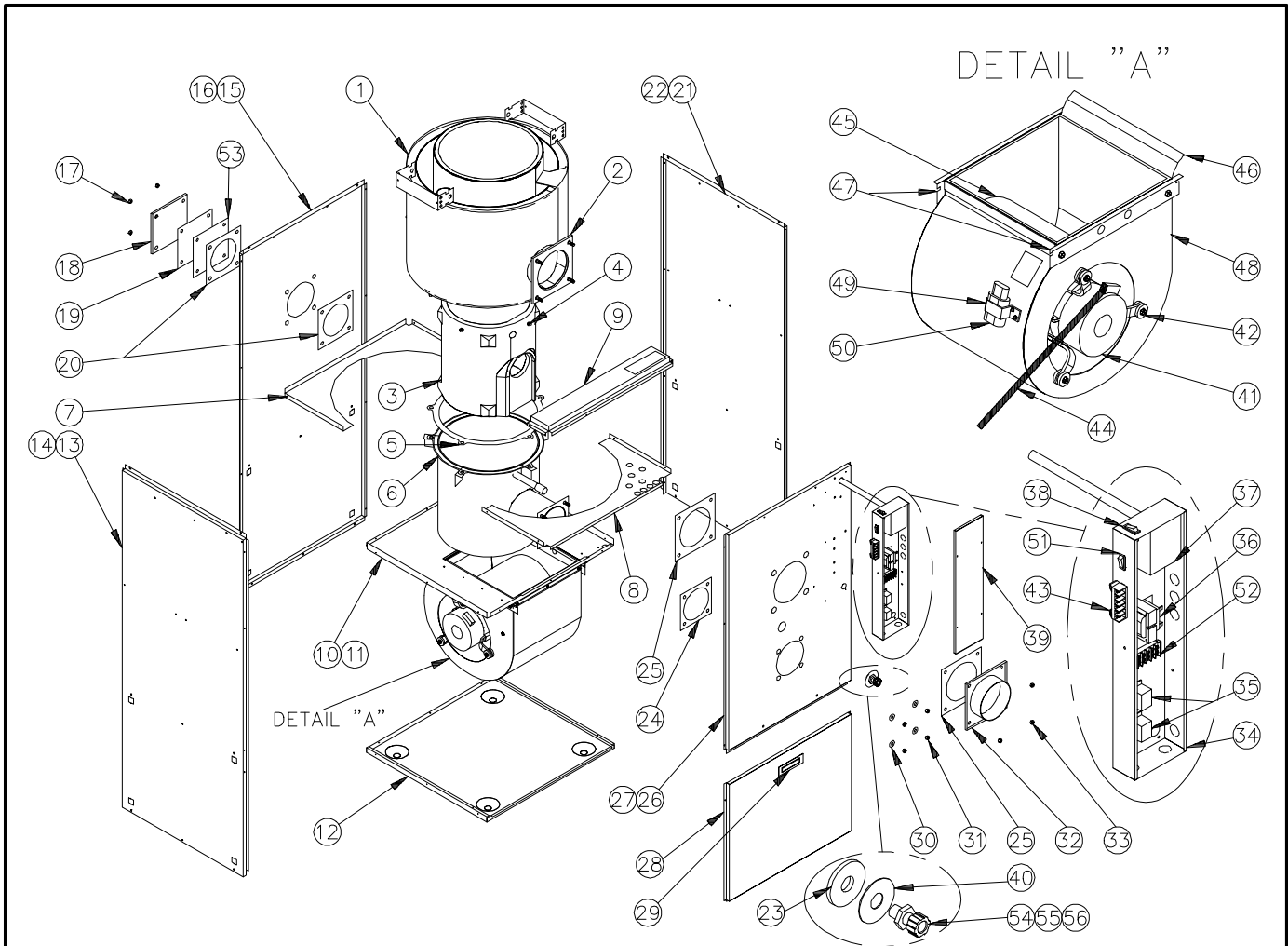


DNS-0563 Rev. D

ITEM	DESCRIPTION	MANUFAC.
1	Complet heat exchanger	B30756-01
2	Top heat exchanger	B30465-01
3	Gasket, heat exchanger	B30517
4	Combustion chamber	B30414
5	Bottom heat exchanger	B30757
6	Hexagonal flange nut 3/8-16NC brass	F07O001
7	Gasket panel, peep hole	B30753
8	Division panel	B30431
9	Floor	B30430
10	Baffle	B30426
11	Rear panel ass'y	B30457
12	Rear panel insulation	B30419
13	Right side panel ass'y	B30458-01
14	Right side panel insulation	B30418
15	Front panel ass'y	B30760-01
16	Front panel insulation	B30761
17	Blower door ass'y	B30455
18	Door handle	Z99F050
19	Left side panel ass'y	B30458-02
20	Left side panel insulation	B30418
21A	5" breech plate	B30459
21B	3" breech plate	B30515
22	Gasket, breech plate	B30415-02
23	Hexagonal flange nut 3/8-16NC brass	F07O001
24	Hexagonal nut 3/8-16NC brass	F07F024
25	Washer 3/8" AA zinc	F06F005

ITEM	DESCRIPTION	MANUFAC.
26	Terminal strip, 6 positions	L05F011
27	Electrical box cover (without cosmetic)	B40085
28	Relay SPDT 24VAC	L01H009
29	Transformer 120/24 VAC / 40 VA	L01F009
30	Fan limit control	R02I005
31	Rocker switch SPST	L07F003
32	Electrical box	B30514
33	Blower side rails	B30433
34	Blower weel 10 X 10	Z01L002
35	1/2 HP direct drive motor	L06H004
36	Blower electrical kit	B30096
37	Capacitor holder	B01024
38	7.5 MF capacitor	L01I002
39	Motor mount ass'y	B01888
40	Sealing strip	B01291-01
41A	Blower 10 X 10	Z01I004
41B	Blower ass'y	B01405-02
42	Blower slide support	B30513
43	Washer, peep hole	B30752
44	Rocker switch SPST	L07F016
45	Terminal strip, 6 positions	A00336
46	Gasket, burner	B30534
47	Peep hole kit	K30011
48	Gasket, glass	B30055
49	Glass, neoceram	B30041-01

**PART LIST**  
**Model : OUF160B18B**

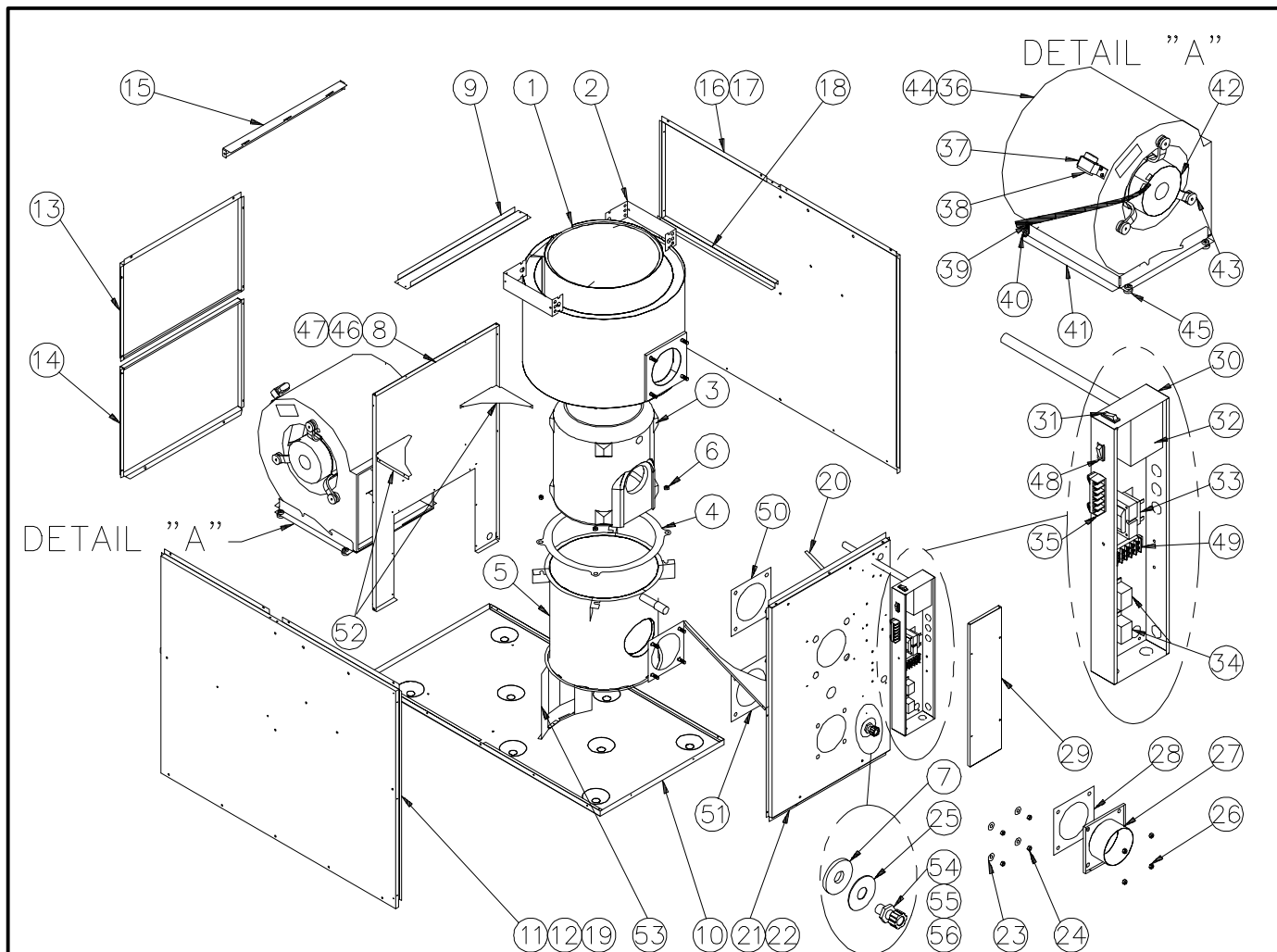


DNS-0566 Rev. D

ITEM	DESCRIPTION	MANUFAC.
1	Complet heat exchanger	B30786-01
2	Top heat exchanger	B30597
3	Combustion chamber	B30584
4	Hexagonal flange nut 3/8-16NC brass	F07O001
5	Gasket, heat exchanger	B30532
6	Bottom heat exchanger	B30787
7	Rear baffle	B30619
8	Front baffle	B30618
9	Top baffle	B30639
10	Division panel	B30627
11	Blower slide support	B30625
12	Floor	B30628
13	Left side panel ass'y	B30653-02
14	Left side panel insulation	B30658
15	Rear panel ass'y	B30652
16	Rear panel insulation	B30659
17	Hexagonal flange nut 3/8-16NC brass	F07O001
18	Breech plate	B30487
19	Gasket, access cover	B30415-01
20	Gasket, access cover	B30415-02
21	Right side panel ass'y	B30653-01
22	Right side panel insulation	B30658
23	Gasket panel, peep hole	B30753
24	Gasket, burner	B30534
25	Gasket, breech plate	B30589-01
26	Front panel ass'y	B30781-01
27	Front panel insulation	B30779
28	Blower door ass'y	B30651
29	Door handle	Z99F050

ITEM	DESCRIPTION	MANUFAC.
30	Washer 3/8" AA zinc	F06F005
31	Hexagonal nut 3/8-16NC brass	F07F024
32A	5" breech plate	B30646
32B	4" breech plate	B30647
33	Hexagonal flange nut 3/8-16NC brass	F07O001
34	Electrical box	B30514
35	Relay SPDT 24VAC	L01H009
36	Transformer 120/24 VAC / 40 VA	L01F009
37	Fan limit control	R02I005
38	Rocker switch SPST	L07F003
39	Electrical box cover (without cosmetic)	B40085
40	Washer, peep hole	B30752
41	.85 HP direct drive motor	L06K001
42	Motor mount ass'y	B01889
43	Terminal strip, 6 positions	L05F011
44	Blower electrical kit	B30530
45	Blower wheel 12 X 10	Z01L003
46	Sealing strip	B01291-01
47	Blower side rails	B30626
48A	Blower 12 X 10	Z01I008
48B	Blower ass'y	B02167-01
49	Capacitor holder	B01024
50	10 MF capacitor	L01I003
51	Rocker switch SPST	L07F016
52	Terminal strip, 6 positions	A00336
53	Gasket, sealing plate	B30533
54	Peep hole kit	K30011
55	Gasket, glass	B30055
56	Glass, neoceram	B30041-01

**PART LIST**  
**Model : OLF105A12B**

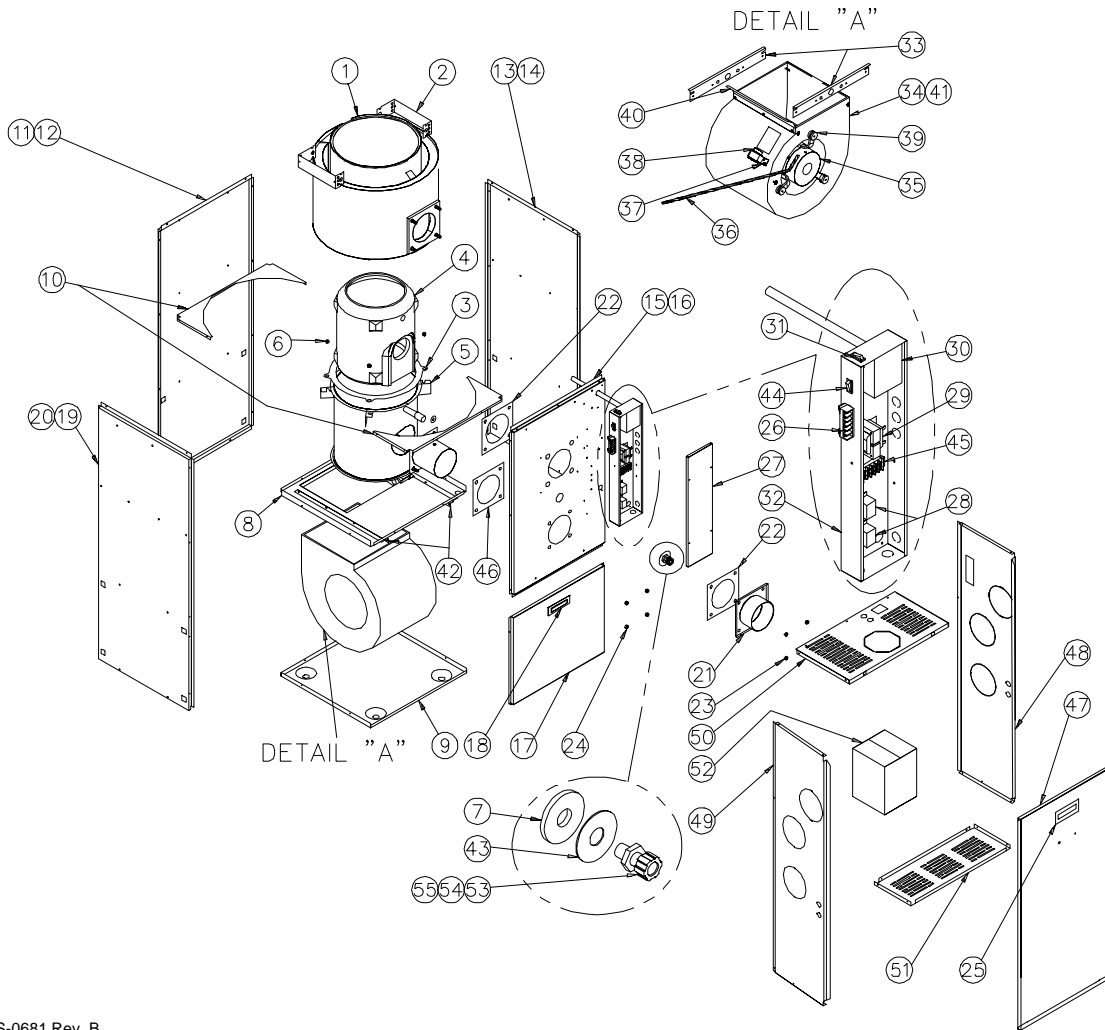


DNS-0565 Rev. D

ITEM	DESCRIPTION	MANUFAC.
1	Complet heat exchanger	B30756-01
2	Top heat exchanger	B30465-01
3	Combustion chamber	B30414
4	Gasket, heat exchanger	B30517
5	Bottom heat exchanger	B30757
6	Hexagonal flange nut 3/8-16NC brass	F07O001
7	Gasket panel, peep hole	B30753
8	Division panel	B30477
9	Plenum divider	B30478
10	Floor	B30472
11	Left side panel ass'y	B30504-02
12	Left side panel insulation	B30493-02
13	Top rear panel	B30506
14	Blower door ass'y	B30512
15	Air filter drawer	B30507
16	Right side panel ass'y	B30504-01
17	Right side panel insulation	B30493-01
18	Right filter support	B30479-01
19	Left filter support	B30479-02
20	Gasket, extruded 1/2" X 1/8" X 25'	B30483
21	Front panel ass'y	B30767-01
22	Front panel insulation	B30761
23	Washer 3/8" AA zinc	F06F005
24	Hexagonal nut 3/8-16NC brass	F07F024
25	Washer, peep hole	B30752
26	Hexagonal flange nut 3/8-16NC brass	F07O001
27A	5" breech plate	B30459
27B	3" breech plate	B30515
28	Gasket, breech plate	B30415-02

ITEM	DESCRIPTION	MANUFAC.
29	Electrical box cover (without cosmetic)	B40085
30	Electrical box	B30514
31	Rocker switch SPST	L07F003
32	Fan limit control	R021005
33	Transformer 120/24 VAC / 40 VA	L01F009
34	Relay SPDT 24VAC	L01H009
35	Terminal strip, 6 positions	L05F011
36	Blower weel 10 X 10	Z01L002
37	Capacitor holder	B01024
38	5 MF capacitor	L011001
39	Blower electrical kit	B30057
40	Screw cable tie	F11F007
41	Blower support bracket	B30473
42	1/3 HP direct drive motor	B01890-01
43	Motor mount ass'y	B01888
44A	Blower 10 X 10	Z011004
44B	Blower ass'y	B01405-03
45	Rubber grommet #19	Z01F006
46	Sealing strip	B01291-01
47	Strip	B30188-02
48	Rocker switch SPST	L07F016
49	Terminal strip, 6 positions	A00336
50	Gasket, breech plate	B30415-02
51	Gasket, burner	B30534
52	Rear baffle	B30490
53	Front baffle	B30480
54	Peep hole kit	K30011
55	Gasket, glass	B30055
56	Glass, neoceram	B30041-01

**PART LIST**  
**Model : NOUF105A12B**

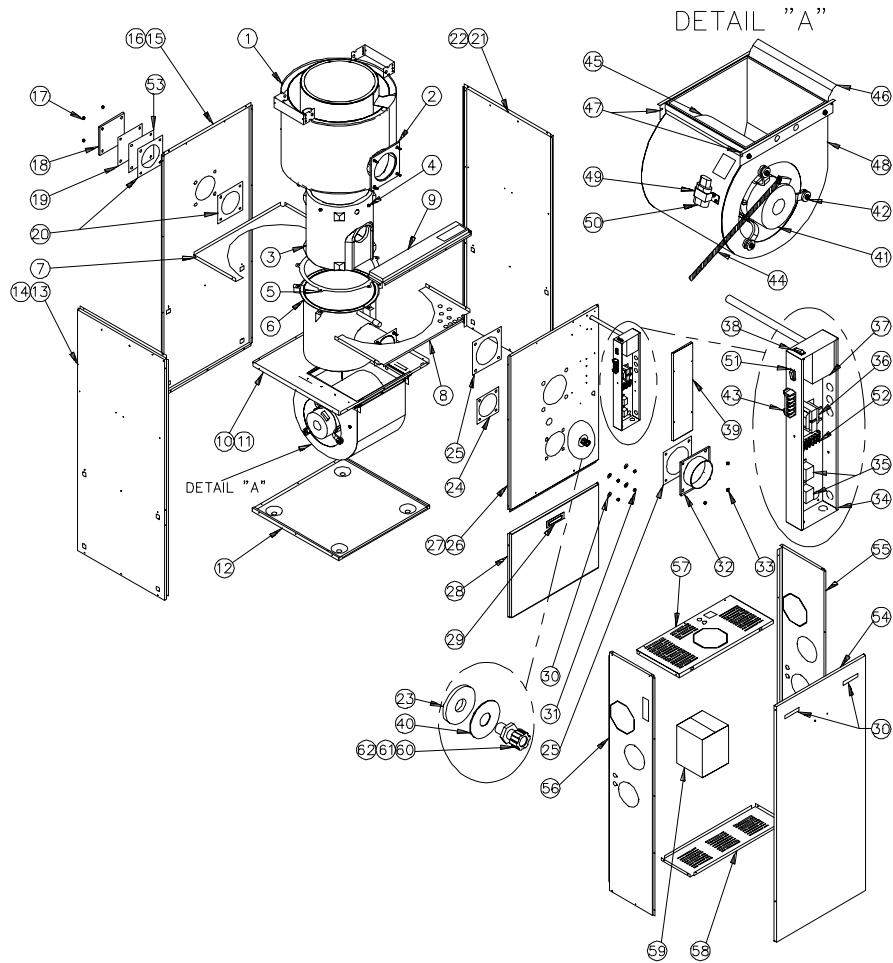


DNS-0681 Rev. B

ITEM	DESCRIPTION	MANUFAC.
1	Compleat heat exchanger	B30756-01
2	Top heat exchanger	B30465-01
3	Gasket, heat exchanger	B30517
4	Combustion chamber	B30414
5	Bottom heat exchanger	B30757
6	Hexagonal flange nut 3/8-16NC brass	F07O001
7	Gasket panel, peep hole	B30753
8	Division panel	B30431
9	Floor	B30430
10	Baffle	B30426
11	Rear panel ass'y	B30457
12	Rear panel insulation	B30419
13	Right side panel ass'y	B30458-01
14	Right side panel insulation	B30418
15	Front panel ass'y	B30760-01
16	Front panel insulation	B30761
17	Blower door ass'y	B30455
18	Door handle	Z99F050
19	Left side panel ass'y	B30458-02
20	Left side panel insulation	B30418
21A	5" breech plate	B30459
21B	3" breech plate	B30515
22	Gasket, breech plate	B30415-02
23	Hexagonal flange nut 3/8-16NC brass	F07O001
24	Hexagonal nut 3/8-16NC brass	F07F024
25	Washer 3/8" AA zinc	F06F005
26	Terminal strip, 6 positions	L05F011
27	Electrical box cover (without cosmetic)	B40085
28	Relay SPDT 24VAC	L01H009

ITEM	DESCRIPTION	MANUFAC.
29	Transformer 120/24 VAC / 40 VA	L01F009
30	Fan limit control	R02I005
31	Rocker switch SPST	L07F003
32	Electrical box	B30514
33	Blower side rails	B30433
34	Blower wheel 10 X 10	Z01L002
35	1/2 HP direct drive motor	L06H004
36	Blower electrical kit	B30096
37	Capacitor holder	B01024
38	7.5 MF capacitor	L01I002
39	Motor mount ass'y	B01888
40	Sealing strip	B01291-01
41A	Blower 10 X 10	Z01I004
41B	Blower ass'y	B01405-02
42	Blower slide support	B30513
43	Washer, peep hole	B30752
44	Rocker switch SPST	L07F016
45	Terminal strip, 6 positions	A00336
46	Gasket, burner	B30534
47	Front door, vestibule	B40293
48	Right panel, vestibule	B30725
49	Left panel, vestibule	B30726
50	Top panel, vestibule	B30723
51	Bottom panel, vestibule	B30724
52	Draft regulator	Z06F001
53	Peep hole kit	K30011
54	Gasket, glass	B30055
55	Glass, neoceram	B30041-01

**PART LIST**  
**Model : NOUF160B18B**



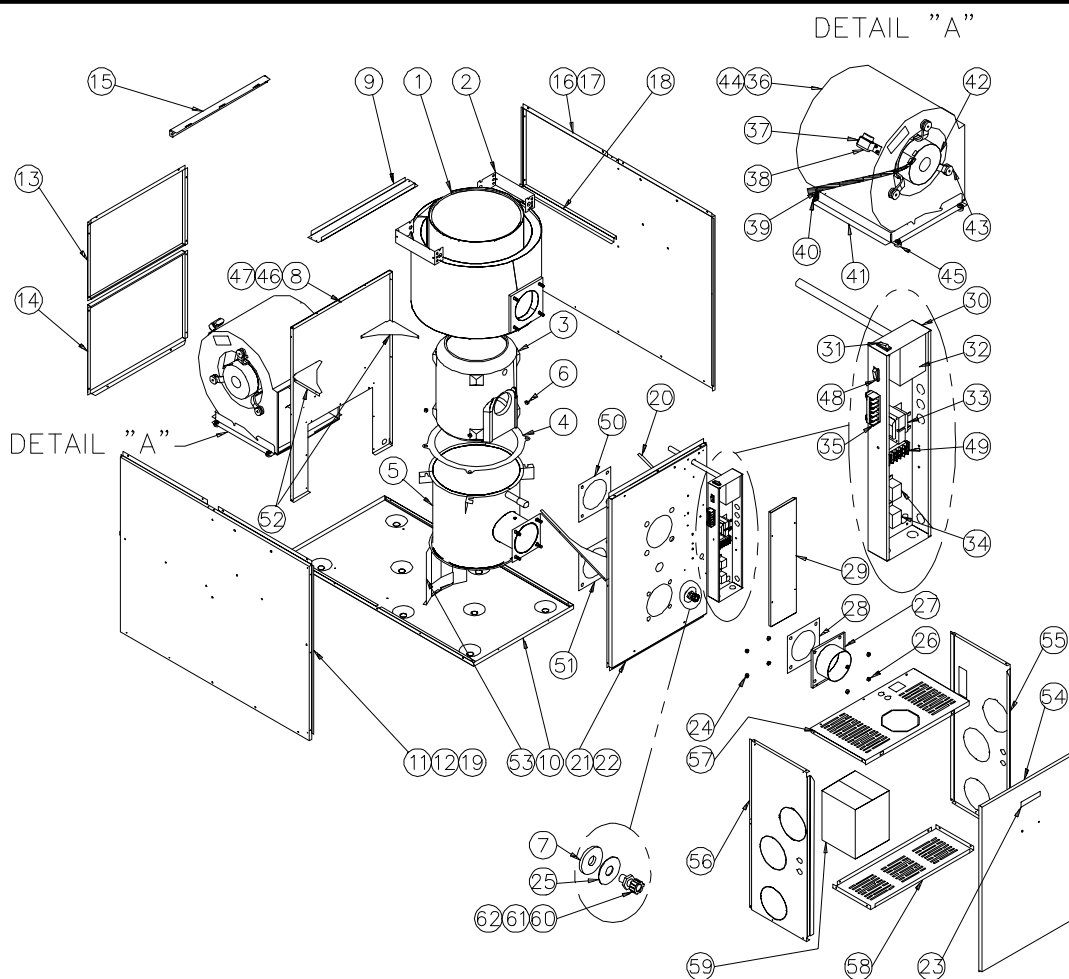
DNS-0680 Rev. B

ITEM	DESCRIPTION	MANUFAC.
1	Compleat heat exchanger	B30786-01
2	Top heat exchanger	B30597
3	Combustion chamber	B30584
4	Hexagonal flange nut 3/8-16NC brass	F07O001
5	Gasket, heat exchanger	B30532
6	Bottom heat exchanger	B30787
7	Gasket panel, peep hole	B30619
8	Front baffle	B30618
9	Top baffle	B30639
10	Division panel	B30627
11	Blower slide support	B30625
12	Floor	B30628
13	Left side panel ass'y	B30653-02
14	Left side panel insulation	B30658
15	Rear panel ass'y	B30652
16	Rear panel insulation	B30659
17	Hexagonal flange nut 3/8-16NC brass	F07O001
18	Breech plate	B30487
19	Gasket, access cover	B30415-01
20	Gasket, access cover	B30415-02
21	Right side panel ass'y	B30653-01
22	Right side panel insulation	B30658
23	Gasket panel, peep hole	B30753
24	Gasket, burner	B30534
25	Gasket, breech plate	B30589-01
26	Front panel ass'y	B30781-01
27	Front panel insulation	B30779
28	Blower door ass'y	B30651
29	Door handle	Z99F050
30	Washer 3/8" AA zinc	F06F005
31	Hexagonal nut 3/8-16NC brass	F07F024
32A	5" breech plate	B30646

ITEM	DESCRIPTION	MANUFAC.
32B	4" breech plate	B30647
33	Hexagonal flange nut 3/8-16NC brass	F07O001
34	Electrical box	B30514
35	Relay SPDT 24VAC	L01H009
36	Transformer 120/24 VAC / 40 VA	L01F009
37	Fan limit control	R02I005
38	Rocker switch SPST	L07F003
39	Electrical box cover (without cosmetic)	B40085
40	Washer, peep hole	B30752
41	.85 HP direct drive motor	L06K001
42	Motor mount ass'y	B01889
43	Terminal strip, 6 positions	L05F011
44	Blower electrical kit	B30530
45	Blower wheel 12 X 10	Z01L003
46	Sealing strip	B01291-01
47	Blower side rails	B30626
48A	Blower 12 X 10	Z01I008
48B	Blower ass'y	B02167-01
49	Capacitor holder	B01024
50	10 MF capacitor	L01I003
51	Rocker switch SPST	L07F016
52	Terminal strip, 6 positions	A00336
53	Gasket, sealing plate	B30533
54	Front door, vestibule	B40295
55	Right panel, vestibule	B30632
56	Left panel, vestibule	B30633
57	Top panel, vestibule	B30732
58	Bottom panel, vestibule	B30728
59	Draft regulator	Z06F001
60	Peep hole kit	K30011
61	Gasket, glass	B30055
62	Glass, neoceram	B30041-01



**PART LIST**  
**Model : NOLF105A12B**



DNS-0679 Rev.

ITEM	DESCRIPTION	MANUFAC.
1	Compleat heat exchanger	B30756-01
2	Top heat exchanger	B30465-01
3	Combustion chamber	B30414
4	Gasket, heat exchanger	B30517
5	Bottom heat exchanger	B30757
6	Hexagonal flange nut 3/8-16NC brass	F07O001
7	Gasket panel, peep hole	B30753
8	Division panel	B30477
9	Plenum divider	B30478
10	Floor	B30472
11	Left side panel ass'y	B30504-02
12	Left side panel insulation	B30493-02
13	Top rear panel	B30506
14	Blower door ass'y	B30512
15	Air filter drawer	B30507
16	Right side panel ass'y	B30504-01
17	Right side panel insulation	B30493-01
18	Right filter support	B30479-01
19	Left filter support	B30479-02
20	Gasket, extruded 1/2" X 1/8" X 25'	B30483
21	Front panel ass'y	B30767-01
22	Front panel insulation	B30761
23	Washer 3/8" AA zinc	F06F005
24	Hexagonal nut 3/8-16NC brass	F07F024
25	Washer, peep hole	B30752
26	Hexagonal flange nut 3/8-16NC brass	F07O001
27A	5" breech plate	B30459
27B	3" breech plate	B30515
28	Gasket, breech plate	B30415-02
29	Electrical box cover (without cosmetic)	B40085
30	Electrical box	B30514
31	Rocker switch SPST	L07F003

ITEM	DESCRIPTION	MANUFAC.
32	Fan limit control	R02I005
33	Transformer 120/24 VAC / 40 VA	L01F009
34	Relay SPDT 24VAC	L01H009
35	Terminal strip, 6 positions	L05F011
36	Blower weel 10 X 10	Z01L002
37	Capacitor holder	B01024
38	5 MF capacitor	L01I001
39	Blower electrical kit	B30057
40	Screw cable tie	F11F007
41	Blower support bracket	B30473
42	1/3 HP direct drive motor	B01890-01
43	Motor mount ass'y	B01888
44A	Blower 10 X 10	Z01I004
44B	Blower ass'y	B01405-03
45	Rubber grommet #19	Z01F006
46	Sealing strip	B01291-01
47	Strip	B30188-02
48	Rocker switch SPST	L07F016
49	Terminal strip, 6 positions	A00336
50	Gasket, breech plate	B30415-02
51	Gasket, burner	B30534
52	Rear baffle	B30490
53	Front baffle	B30480
54	Front door, vestibule	B40292
55	Right panel, vestibule	B30729
56	Left panel, vestibule	B30730
57	Top panel, vestibule	B30723
58	Bottom panel, vestibule	B30724
59	Draft regulator	Z06F001
60	Peep hole kit	K30011
61	Gasket, glass	B30055
62	Glass, neoceram	B30041-01