

TECHNICAL SUPPORT MANUAL

Split System Heat Pump

N4H3

Safety Labeling and Signal Words

DANGER, WARNING, CAUTION, and NOTE

The signal words **DANGER**, **WARNING**, **CAUTION**, and **NOTE** are used to identify levels of hazard seriousness. The signal word **DANGER** is only used on product labels to signify an immediate hazard. The signal words **WARNING**, **CAUTION**, and **NOTE** will be used on product labels and throughout this manual and other manuals that may apply to the product.

DANGER - Immediate hazards which **will** result in severe personal injury or death.

WARNING - Hazards or unsafe practices which **could** result in severe personal injury or death.

CAUTION - Hazards or unsafe practices which **may** result in minor personal injury or product or property damage.

NOTE - Used to highlight suggestions which **will** result in enhanced installation, reliability, or operation.

Signal Words in Manuals

The signal word **WARNING** is used throughout this manual in the following manner:



The signal word **CAUTION** is used throughout this manual in the following manner:



Signal Words on Product Labeling


Signal words are used in combination with colors and/or pictures on product labels.

TABLE OF CONTENTS

Model Number Identification	2
R-410A Quick Reference Guide	3
Wiring Diagrams	4-7
Charging Chart	8
Tech Labels (Expanded Data)	9 - 16
Parts List	17 - 22
Exploded Views	23 - 25
Cooling Multiplying Factors	26 - 52
Heating Multiplying Factors	52 - 78

MODELS

N4H318AKE100	N4H318GKE100
N4H324AKE100	N4H324GKE100
N4H330AKE100	N4H330GKE100
N4H336AKE100	N4H336GKE100
N4H342AKE100	N4H342GKE100
N4H348AKE100	N4H348GKE100
N4H360AKB400	N4H360GKB400



DEATH, PERSONAL INJURY, AND/OR PROPERTY DAMAGE HAZARD

Failure to carefully read and follow this warning could result in equipment malfunction, property damage, personal injury and/or death.

Installation or repairs made by unqualified persons could result in equipment malfunction, property damage, personal injury and/or death.

The information contained in this manual is intended for use by a qualified service technician familiar with safety procedures and equipped with the proper tools and test instruments.

Installation must conform with local building codes and with the National Electrical Code NFPA70 current edition or Canadian Electrical Code Part 1 CSA C.22.1.

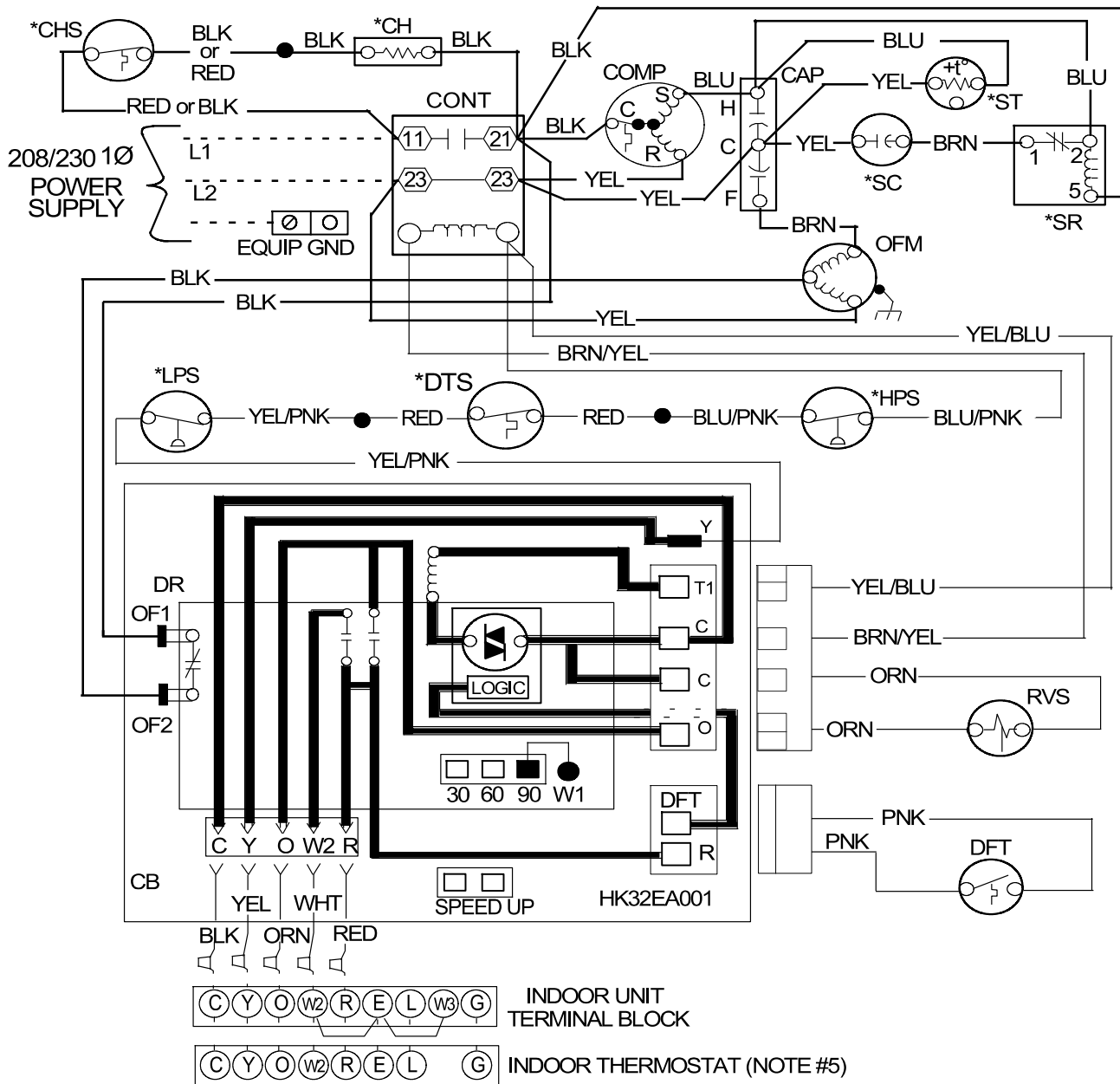
OUTDOOR UNIT MODEL NUMBER IDENTIFICATION GUIDE (single phase)											
Digit Position:	1	2	3	4	5, 6	7	8	9	10	11	12
Example Part Number:	N	4	H	3	18	G	K	E	1	0	0
Product Family											
4 = R-410A		REFRIGERANT									
A = Air Conditioner											
H = Heat Pump			TYPE								
3 = 13 SEER											
4 = 14 SEER											
5 = 15 SEER		NOMINAL EFFICIENCY									
18 = 18,000 BTUH = 1½ tons											
24 = 24,000 BTUH = 2 tons											
30 = 30,000 BTUH = 2½ tons											
36 = 36,000 BTUH = 3 tons											
42 = 42,000 BTUH = 3½ tons											
48 = 48,000 BTUH = 4 tons											
60 = 60,000 BTUH = 5 tons			NOMINAL CAPACITY								
A = Standard Grille											
G = Coil Guard Grille											
C = Coastal											
						FEATURES					
K = 208/230-1-60							VOLTAGE				
Sales Code											
Engineering Revision											
Extra Digit											
Extra Digit											

ACCESSORIES PART NUMBER IDENTIFICATION GUIDE											
Digit Position:	1	2	3	4	5	6, 7	8, 9	10, 11			
Example Part Number:	N	A	S	A	0	01	01	CH			
N = Non-Branded		BRANDING									
A = Accessory			PRODUCT GROUP								
S = Split System (AC & HP)			KIT USAGE								
A = Original											
B = 2nd Generation											
0 = Generic or Not Applicable											
2 = R-22											
4 = R-410A		REFRIGERANT									
Product Identifier Number											
Package Quantity											
Type of Kit(Example: CH = Crankcase Heater)											

R-410A QUICK REFERENCE GUIDE

- R-410A refrigerant operates at 50% – 70% higher pressures than R-22. Be sure that servicing equipment and replacement components are designed to operate with R-410A.
- R-410A refrigerant cylinders are rose colored.
- Recovery cylinder service pressure rating must be 400 psig, DOT 4BA400 or DOT BW400.
- R-410A systems should be charged with liquid refrigerant. Use a commercial type metering device in the manifold hose when charging into suction line with compressor operating.
- Manifold sets should be 750 psig high-side and 200 psig low-side with 520 psig low-side retard.
- Use hoses with 750 psig service pressure rating.
- Leak detectors should be designed to detect HFC refrigerant.
- R-410A, as with other HFC refrigerants, is only compatible with POE oils.
- Vacuum pumps will not remove moisture from oil.
- Do not use liquid line filter-driers with rated working pressures less than 600 psig.
- Do not install a suction line filter-drier in liquid line.
- POE oils absorb moisture rapidly. Do not expose oil to atmosphere.
- POE oils may cause damage to certain plastics and roofing materials.
- Wrap all filter-driers and service valves with wet cloth when brazing.
- A liquid line filter-drier is required on every unit.
- Do not use with an R-22 TXV.
- If indoor unit is equipped with an R-22 TXV, it must be changed to an R-410A TXV.
- Never open system to atmosphere while it is under a vacuum.
- When system must be opened for service, break vacuum with dry nitrogen and replace all filter-driers. Evacuate to 500 microns before recharging.
- Do not vent R-410A into the atmosphere.
- Do not use capillary tube indoor coils.
- Observe all **WARNINGS**, **CAUTIONS**, **NOTES**, and **bold** text.

Model Sizes: 18, 24, 30, 36, 42, 48 CONNECTION DIAGRAM

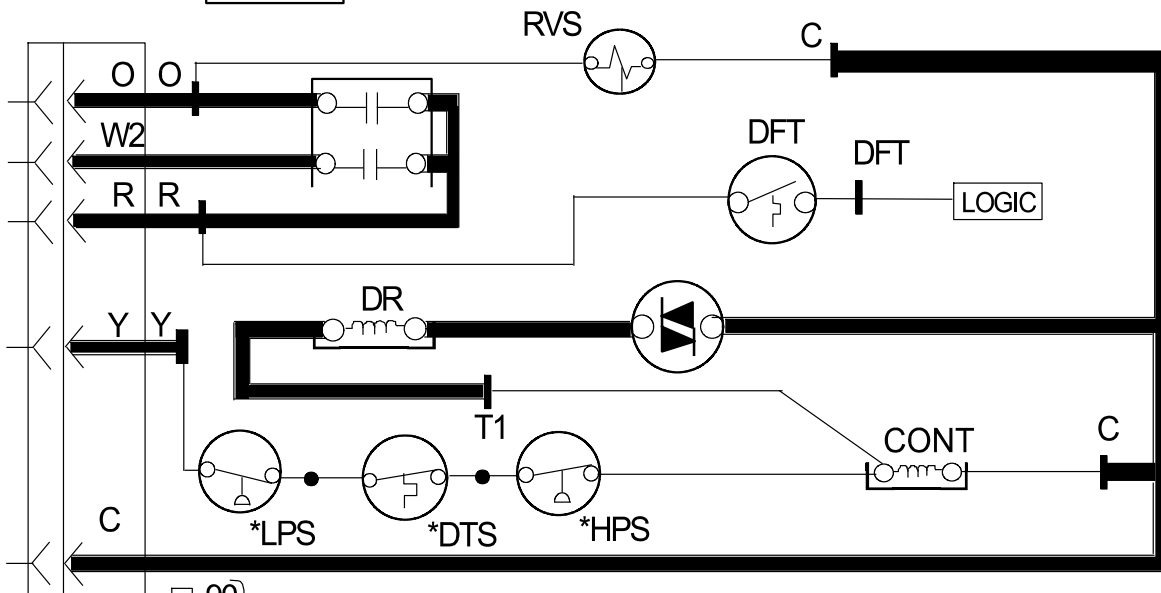
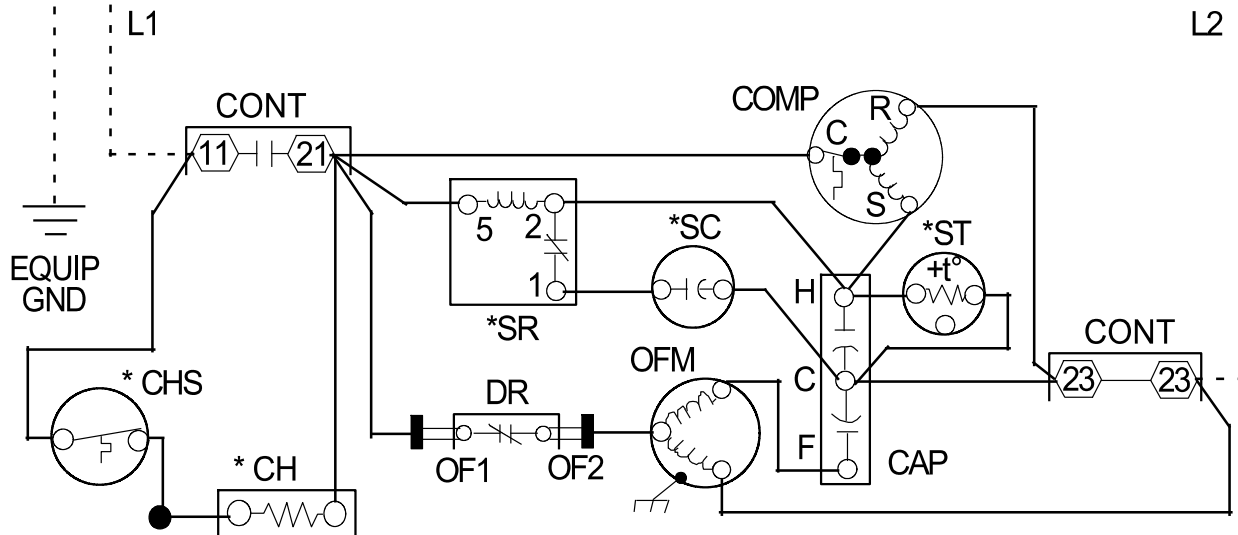


Notes:

1. Symbols are electrical representation only.
2. Compressor and fan motor furnished with inherent thermal protection.
3. To be wired in accordance with National Electric N.E.C. and local codes.
4. N.E.C. class 2, 24 V circuit, min. 40 VA required, 60 VA on units installed with LLS.
5. Connection for typical heat pump thermostat. For other arrangements see installation instructions.
6. Use copper conductors only. Use conductors suitable for at least 75° C (167° F).
7. If indoor section has a transformer with a grounded secondary, connect the grounded side to "C" on the circuit board.
8. When start capacitor and relay are installed, start thermistor (PTC) is not used.
9. CH not used on all units.
10. If any of the original wire, as supplied, must be replaced, use the same or equivalent wire.
11. Check all electrical connections inside control box for tightness.
12. Do not attempt to operate unit until service valves have been opened.
13. Do not rapid cycle compressor. Compressor must be off 3 minutes to allow pressures to equalize between high and low side before starting.

336749-101 REV.A

Model Sizes: 18, 24, 30, 36, 42, 48 SCHEMATIC DIAGRAM (LADDER FORM)



90
 60 } FIELD SELECTED TIME PERIOD
 30 } BETWEEN DEFROST CYCLES (MINUTES)

SPEED UP JUMPERED TEST PINS (USE METAL OBJECT), FIELD SPEED-UP CYCLE
 HEAT CYCLE: 90 MIN. ACCELERATED TO 21 SEC.
 60 MIN. ACCELERATED TO 14 SEC.
 30 MIN. ACCELERATED TO 7 SEC.
 DEFROST CYCLE: 10 MIN. ACCELERATED TO 2 SEC.

-LEGEND-

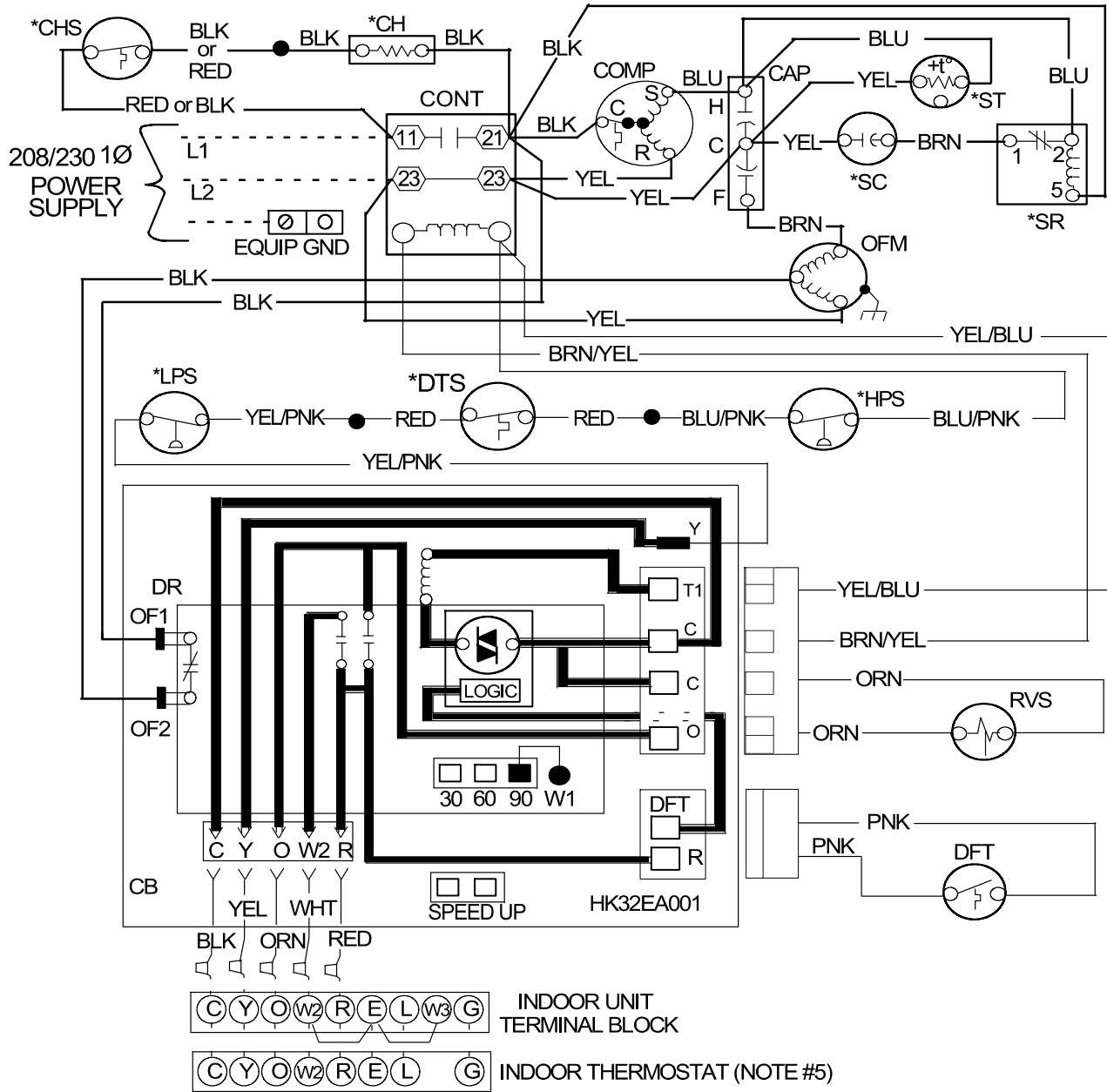
- | | | | | | |
|-----|----------------------------|------|-----------------------------|------|--------------------------|
| — | FACTORY POWER WIRING | CAP | CAPACITOR (DUAL RUN) | *DTS | DISCHARGE TEMP. SWITCH |
| - - | FIELD POWER WIRING | *CH | CRANKCASE HEATER | *HPS | HIGH PRESSURE SWITCH |
| — | FACTORY CONTROL WIRING | *CHS | CRANKCASE HEATER SWITCH | *LPS | LOW PRESSURE SWITCH |
| - - | FIELD CONTROL WIRING | COMP | COMPRESSOR | OFM | OUTDOOR FAN MOTOR |
| — | CONDUCTOR ON CIRCUIT BOARD | CONT | CONTACTOR | RVS | REVERSING VALVE SOLENOID |
| ○ | COMPONENT CONNECTION | CB | CIRCUIT BOARD | *SC | START CAPACITOR |
| — | 1/4-INCH QUICK CONNECT | DFT | DEFROST THERMOSTAT | *SR | START RELAY |
| — | TERMINALS | DR | DEFROST RELAY AND CIRCUITRY | *ST | START THERMISTOR |
| — | FIELD SPLICE | | | | |
| ● | JUNCTION | | | | |

* MAY BE FACTORY OR FIELD INSTALLED

336749-101 REV.A

Model Size: 60

CONNECTION DIAGRAM



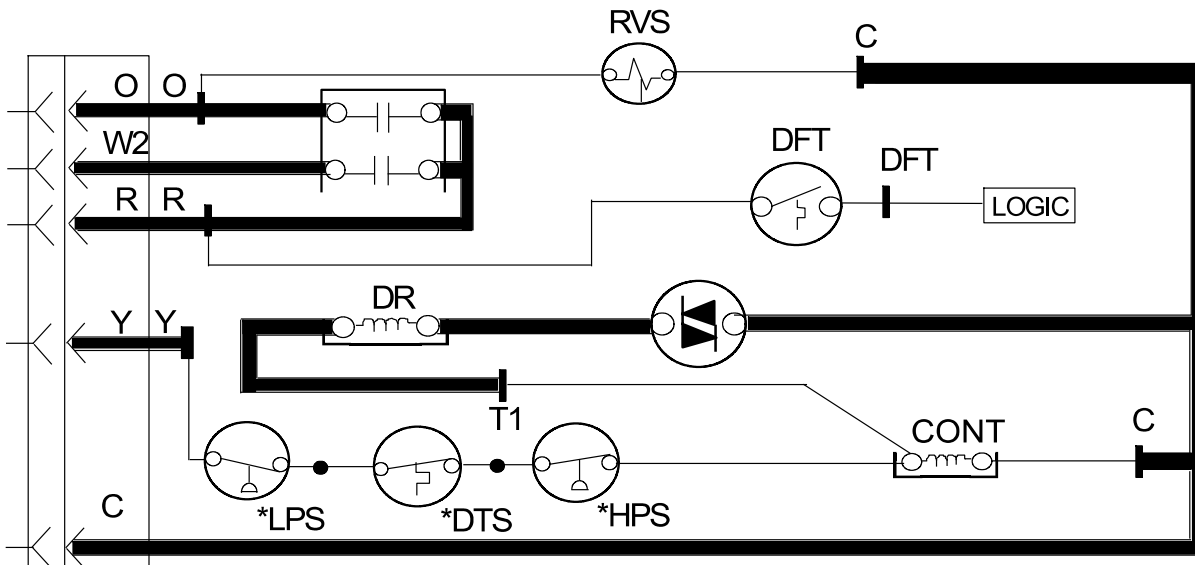
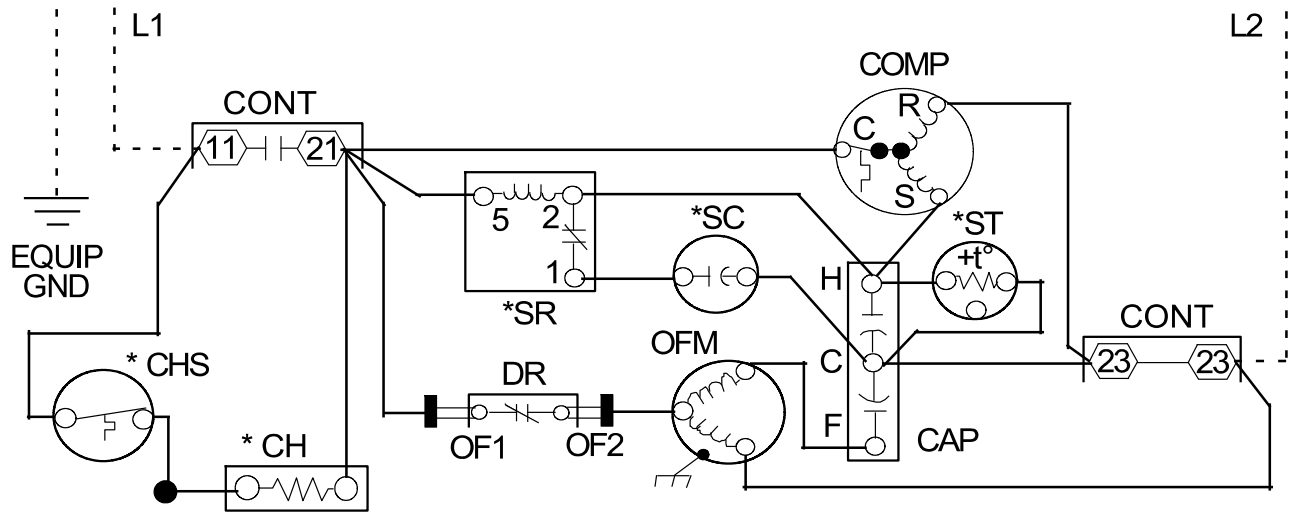
Notes:

1. Symbols are electrical representation only.
2. Compressor and fan motor furnished with inherent thermal protection.
3. To be wired in accordance with National Electric N.E.C. and local codes.
4. N.E.C. class 2, 24 V circuit, min. 40 VA required, 60 VA on units installed with LLS.
5. Connection for typical heat pump thermostat. For other arrangements see installation instructions.
6. Use copper conductors only. Use conductors suitable for at least 75° C (167° F).
7. If indoor section has a transformer with a grounded secondary, connect the grounded side to "C" on the circuit board.
8. When start capacitor and relay are installed, start thermistor (PTC) is not used.
9. CH not used on all units.
10. If any of the original wire, as supplied, must be replaced, use the same or equivalent wire.
11. Check all electrical connections inside control box for tightness.
12. Do not attempt to operate unit until service valves have been opened.
13. Do not rapid cycle compressor. Compressor must be off 3 minutes to allow pressures to equalize between high and low side before starting.

332036-101 REV. D

Model Size: 60

SCHMATIC DIAGRAM (LADDER FORM)



90
 60 } FIELD SELECTED TIME PERIOD
 30 } BETWEEN DEFROST CYCLES (MINUTES)

SPEED UP JUMPERED TEST PINS (USE METAL OBJECT), FIELD SPEED-UP CYCLE
 HEAT CYCLE: 90 MIN. ACCELERATED TO 21 SEC.
 60 MIN. ACCELERATED TO 14 SEC.
 30 MIN. ACCELERATED TO 7 SEC.
 DEFROST CYCLE: 10 MIN. ACCELERATED TO 2 SEC.

-LEGEND-

- | | | | | | |
|-----|----------------------------|------|-----------------------------|------|--------------------------|
| — | FACTORY POWER WIRING | CAP | CAPACITOR (DUAL RUN) | *DTS | DISCHARGE TEMP. SWITCH |
| - - | FIELD POWER WIRING | *CH | CRANKCASE HEATER | *HPS | HIGH PRESSURE SWITCH |
| — | FACTORY CONTROL WIRING | *CHS | CRANKCASE HEATER SWITCH | *LPS | LOW PRESSURE SWITCH |
| - - | FIELD CONTROL WIRING | COMP | COMPRESSOR | *OFM | OUTDOOR FAN MOTOR |
| — | CONDUCTOR ON CIRCUIT BOARD | CONT | CONTACTOR | RVS | REVERSING VALVE SOLENOID |
| ○ | COMPONENT CONNECTION | CB | CIRCUIT BOARD | *SC | START CAPACITOR |
| — | 1/4-INCH QUICK CONNECT | DFT | DEFROST THERMOSTAT | *SR | START RELAY |
| — | TERMINALS | DR | DEFROST RELAY AND CIRCUITRY | *ST | START THERMISTOR |
| — | FIELD SPLICE | | | | |
| ● | JUNCTION | | | | |

* MAY BE FACTORY OR FIELD INSTALLED

332036-101 REV. D

R-410A CHARGING CHART												
Measured Liquid Pressure (psig)	Rating Plate (required) Subcooling Temperature °F (°C)											
	°F	(°C)	°F	(°C)	°F	(°C)	°F	(°C)	F	(°C)	F	(°C)
	6	3	8	4	10	6	12	7	14	8	16	9
R-410A Required Liquid Line Temperature °F (°C)												
251	78	26	76	24	74	23	72	22	70	21	68	20
259	80	27	78	26	76	24	74	23	72	22	70	21
266	82	28	80	27	78	26	76	24	74	23	72	22
274	84	29	82	28	80	27	78	26	76	24	74	23
283	86	30	84	29	82	28	80	27	78	26	76	24
291	88	31	86	30	84	29	82	28	80	27	78	26
299	90	32	88	31	86	30	84	29	82	28	80	27
308	92	33	90	32	88	31	86	30	84	29	82	28
317	94	34	92	33	90	32	88	31	86	30	84	29
326	96	36	94	34	92	33	90	32	88	31	86	30
335	98	37	96	36	94	34	92	33	90	32	88	31
345	100	38	98	37	96	36	94	34	92	33	90	32
364	104	40	102	39	100	38	98	37	96	36	94	34
374	106	41	104	40	102	39	100	38	98	37	96	36
384	108	42	106	41	104	40	102	39	100	38	98	37
395	110	43	108	42	106	41	104	40	102	39	100	38
406	112	44	110	43	108	42	106	41	104	40	102	39
416	114	46	112	44	110	43	108	42	106	41	104	40
427	116	47	114	46	112	44	110	43	108	42	106	41
439	118	48	116	47	114	46	112	44	110	43	108	42
450	120	49	118	48	116	47	114	46	112	44	110	43
462	122	50	120	49	118	48	116	47	114	46	112	44
474	124	51	122	50	120	49	118	48	116	47	114	46

MULTIPLYING FACTORS

(Refer to pages 7-13)

- † Total capacities are net (I.D. blower heat subtracted) system capacities based on 25' line set. If additional tubing length and/or indoor unit is located above outdoor unit, a slight variation in capacity may occur.
- †† At TVA rating indoor condition (75 ° F db, 63 ° F wb), all other indoor air temperatures are at 80 ° F db. If additional tubing length and/or indoor unit is located above outdoor unit, a slight variation in capacity may occur.
- * System amps are total of indoor and outdoor amps.
- ‡ Chart data is for 80° F indoor dry bulb. For indoor db temperatures other than 80° F, measure Indoor db and Indoor CFM, and plug these into the formula below. Measure outdoor db and indoor wet bulb, apply these to the chart above, find MBh and S/T, and plug these into the formula below. (Note: if indoor db is the only thing changing, total capacity, MBh, stays the same.)

$$\text{Sensible Capacity at Indoor db LOWER than } 80^{\circ} \text{ F} = (\text{MBh} \times \text{S/T}) - \left(\frac{(\text{80} - \text{Indoor db}) \times 835 \times \text{Indoor CFM}}{1000} \right)$$

$$\text{Sensible Capacity at Indoor db HIGHER than } 80^{\circ} \text{ F} = (\text{MBh} \times \text{S/T}) + \left(\frac{(\text{Indoor db} - 80) \times 835 \times \text{Indoor CFM}}{1000} \right)$$

COOLING		018 Size Outdoor With FS(M,U)4P18**A* Indoor Cooling																									
		Outdoor Ambient Temperature - Degrees F, Dry Bulb										95															
		75	85									105										115					
CFM	Entering Indoor Temperature - Degrees F, Wet Bulb																										
525	MBh†	57	62	63††	67	72	72	57	62	63††	67	72	57	62	63††	67	72	57	62	63††	67	72					
	S/T‡	16.57	17.25	17.63	19.20	21.18	15.86	16.34	16.69	18.17	20.21	14.86	15.16	15.62	17.06	19.07	13.70	13.73	13.86	15.82	17.74	12.53	12.56	12.27	13.85	16.30	
	AMPS*	1.00	0.91	0.72	0.89	0.51	1.00	0.93	0.74	0.71	0.52	1.00	0.97	0.76	0.73	0.53	1.00	1.00	0.80	0.75	0.54	1.00	1.00	0.85	0.80	0.55	
	HI PR	5.36	5.37	5.38	5.41	5.45	5.98	6.00	6.01	6.06	6.12	6.59	6.62	6.67	6.76	6.85	7.32	7.32	7.32	7.32	7.50	7.66	8.14	8.14	8.13	8.22	8.51
	LO PR	269	272	273	276	282	311	313	314	319	325	352	354	358	365	372	400	400	400	400	413	424	453	453	452	458	477
600	MBh†	125	129	131	140	152	128	132	134	143	155	134	135	136	146	159	140	140	141	149	163	146	147	145	154	166	
	S/T‡	17.35	17.73	18.07	19.62	21.58	16.59	16.77	17.05	18.58	20.59	15.74	15.77	15.96	17.40	19.44	14.46	14.49	14.24	16.13	18.08	13.18	13.20	12.56	14.21	16.80	
	AMPS*	1.00	0.95	0.75	0.72	0.52	1.00	0.98	0.77	0.74	0.53	1.00	1.00	0.79	0.76	0.54	1.00	1.00	0.84	0.79	0.56	1.00	1.00	0.89	0.85	0.58	
	HI PR	5.48	5.49	5.48	5.51	5.56	6.10	6.11	6.12	6.17	6.23	6.78	6.79	6.79	6.88	6.96	7.46	7.46	7.44	7.63	7.77	8.28	8.28	8.24	8.35	8.65	
	LO PR	272	273	274	278	283	314	314	315	320	326	359	359	360	366	373	403	403	402	415	425	456	456	453	461	480	
675	MBh†	130	133	134	143	155	134	135	137	146	158	138	138	139	149	162	144	144	143	152	166	151	151	147	156	169	
	S/T‡	18.03	18.14	18.39	19.94	21.86	17.20	17.22	17.34	18.88	20.88	16.32	16.34	16.22	17.66	19.71	15.13	15.16	14.55	16.37	18.36	13.73	13.76	12.81	14.49	16.80	
	AMPS*	1.00	0.99	0.78	0.75	0.54	1.00	1.00	0.80	0.77	0.55	1.00	1.00	0.83	0.80	0.56	1.00	1.00	0.87	0.83	0.58	1.00	1.00	0.93	0.89	0.60	
	HI PR	5.58	5.58	5.58	5.61	5.67	6.22	6.22	6.23	6.27	6.35	6.92	6.92	6.91	6.99	7.08	7.61	7.62	7.56	7.75	7.89	8.41	8.41	8.36	8.48	8.78	
	LO PR	274	274	275	279	285	316	316	317	321	328	362	362	361	368	375	408	408	404	417	427	459	459	455	463	482	
39	39	136	137	146	157	139	139	139	149	161	142	143	141	152	164	148	148	145	154	168	154	154	149	158	171		

HEATING		018 Size Outdoor With FS(M,U)4P18**A* Indoor Heating																							
		Outdoor Ambient Temperature - Degrees F, Dry Bulb										37													
		-3	17									47										67			
CFM	Entering Indoor Temperature - Degrees F, Dry Bulb																								
525	MBh†	65	70	75	65	70	75	65	70	75	65	70	75	65	70	75	65	70	75	65	70	75	65	70	75
	T/R	5.41	5.15	4.87	7.54	7.27	6.99	10.08	9.58	9.27	12.38	12.15	11.92	14.90	14.63	14.35	17.69	17.39	17.07	19.98	19.80	19.59	22.15	22.03	21.88
	AMPS*	10.30	9.80	9.20	14.40	13.80	13.30	19.20	18.20	17.60	23.60	23.10	22.60	28.40	27.80	27.20	33.70	33.00	32.40	38.00	37.60	37.10	42.20	41.90	41.50
	HI PR	4.78	4.98	5.19	5.01	5.22	5.45	5.26	5.46	5.70	5.48	5.73	5.99	5.74	6.00	6.28	6.06	6.36	6.65	6.32	6.62	6.94	6.61	6.94	7.28
	LO PR	216	231	247	231	247	264	251	266	283	259	287	306	293	311	329	319	339	358	340	360	381	362	384	406
600	MBh†	39	39	40	50	50	50	62	62	63	76	76	77	92	92	93	110	110	111	124	126	127	138	140	142
	T/R	5.52	5.27	4.98	7.67	7.41	7.13	10.23	9.75	9.44	12.55	12.33	12.09	15.13	14.85	14.57	17.81	17.60	17.33	19.81	19.72	19.57	21.62	21.65	21.60
	AMPS*	9.20	8.80	8.30	12.80	12.30	11.80	17.00	16.20	15.70	20.90	20.50	20.10	25.20	24.70	24.20	29.70	29.30	28.70	33.00	32.80	32.50	36.00	36.00	35.80
	HI PR	4.84	5.04	5.25	5.04	5.26	5.48	5.27	5.47	5.71	5.45	5.70	5.96	5.69	5.95	6.22	5.94	6.23	6.53	6.15	6.46	6.77	6.36	6.70	7.04
	LO PR	213	229	245	227	243	260	244	259	277	261	279	297	282	300	319	304	324	344	321	342	364	338	361	384
675	MBh†	39	39	40	50	50	50	62	62	63	76	76	76	92	92	93	108	110	111	120	123	125	131	135	137
	T/R	5.62	5.37	5.09	7.79	7.54	7.26	10.36	9.93	9.59	12.71	12.48	12.24	15.32	15.04	14.76	17.79	17.66	17.47	19.61	19.54	19.47	20.99	21.11	21.18
	AMPS*	8.30	7.90	7.50	11.50	11.10	10.70	15.30	14.70	14.10	18.80	18.50	18.10	22.70	22.20	21.80	26.30	26.10	25.80	29.10	28.90	28.70	31.10	31.20	31.20
	HI PR	4.90	5.10	5.32	5.09	5.31	5.53	5.29	5.50	5.74	5.45	5.70	5.96	5.67	5.93	6.19	5.87	6.15	6.45	6.05	6.35	6.66	6.19	6.52	6.87
	LO PR	211	226	243	223	240	256	239	255	272	254	272	290	274	292	311	292	312	333	307	328	350	319	342	365
39	39	39	50	50	50	50	62	62	63	76	76	76	91	92	92	106	108	110	117	120	122	125	129	132	

COOLING		024 Size Outdoor With FS(M,U)4P24**A* Indoor Cooling																									
		Outdoor Ambient Temperature - Degrees F, Dry Bulb																									
		95																									
CFM		105																									
75		115																									
		Entering Indoor Temperature - Degrees F, Wet Bulb																									
CFM		57	62	63††	67	72	72	72	72	72	72	72	72	72	72	72	72	72	72	72	72	72					
700	MBH†	21.73	22.66	23.14	25.12	27.51	20.86	21.53	21.98	23.90	26.44	19.90	20.32	20.71	22.54	25.14	18.82	18.98	19.31	21.08	23.57	17.30	17.34	17.31	19.47	21.87	
	S/T‡	1.00	0.91	0.73	0.70	0.52	1.00	0.93	0.74	0.71	0.52	1.00	0.96	0.76	0.73	0.53	1.00	0.99	0.78	0.75	0.54	1.00	1.00	0.82	0.78	0.55	
	AMPS*	7.03	7.08	7.10	7.20	7.35	7.82	7.86	7.89	8.02	8.20	8.71	8.74	8.77	8.93	9.14	9.69	9.71	9.73	9.92	10.18	10.67	10.68	10.67	11.01	11.32	
	HIPR	277	279	281	286	292	319	321	323	329	336	367	368	369	377	385	418	419	420	429	439	468	468	468	484	497	
	LO PR	123	127	129	138	149	126	130	132	131	141	153	130	132	134	144	156	134	135	137	147	160	141	141	141	150	163
800	MBH†	22.73	23.26	23.71	25.62	27.98	21.80	22.09	22.46	24.42	26.92	20.78	20.88	21.16	23.00	25.63	19.66	19.69	19.71	21.50	24.08	18.32	18.36	17.82	19.84	22.24	
	S/T‡	1.00	0.95	0.76	0.73	0.53	1.00	0.98	0.77	0.74	0.54	1.00	0.99	0.79	0.77	0.55	1.00	1.00	0.82	0.79	0.56	1.00	1.00	0.86	0.82	0.58	
	AMPS*	7.20	7.23	7.24	7.34	7.51	8.00	8.02	8.04	8.17	8.36	8.89	8.90	8.92	9.09	9.30	9.90	9.91	9.90	10.09	10.34	10.97	10.98	10.86	11.18	11.50	
	HIPR	280	282	282	287	293	323	324	325	331	338	370	371	371	379	387	423	423	423	431	442	477	477	477	487	500	
	LO PR	128	130	132	141	151	131	133	134	144	155	135	136	137	147	159	139	140	139	149	163	145	145	145	143	152	166
900	MBH†	23.58	23.78	24.12	26.01	28.32	22.59	22.63	22.83	24.80	27.27	21.52	21.55	21.49	23.34	25.98	20.34	20.37	20.01	21.81	24.41	19.02	19.05	18.28	20.12	22.53	
	S/T‡	1.00	0.99	0.79	0.75	0.54	1.00	1.00	0.80	0.77	0.55	1.00	1.00	0.83	0.80	0.56	1.00	1.00	0.86	0.83	0.58	1.00	1.00	0.90	0.86	0.60	
	AMPS*	7.35	7.36	7.37	7.48	7.66	8.17	8.17	8.18	8.31	8.51	9.08	9.08	9.07	9.23	9.45	10.09	10.09	10.05	10.24	10.49	11.20	11.20	11.20	11.08	11.35	11.66
	HIPR	282	283	284	288	295	326	326	326	332	340	374	374	374	381	389	426	427	427	433	443	483	483	483	477	489	502
	LO PR	133	133	134	143	153	136	136	137	146	157	140	140	140	139	149	161	144	144	142	152	165	149	149	144	154	168

HEATING		024 Size Outdoor With FS(M,U)4P24**A* Indoor Heating																							
		Outdoor Ambient Temperature - Degrees F, Dry Bulb																							
		37																							
CFM		47																							
57		67																							
		Entering Indoor Temperature - Degrees F, Dry Bulb																							
CFM		65	70	75	65	70	75	65	70	75	65	70	75	65	70	75	65	70	75	65	70	75	65	70	75
700	MBH†	7.43	7.00	6.53	10.13	9.69	9.23	12.97	12.55	12.09	16.44	15.77	15.20	19.51	19.17	18.83	22.84	22.46	22.08	26.62	26.16	25.71	30.72	30.32	29.90
	T/R	10.60	10.00	9.30	14.50	13.80	13.10	18.60	17.90	17.20	23.50	22.50	21.70	27.90	27.40	26.80	32.70	32.10	31.40	38.10	37.40	36.60	43.90	43.30	42.60
	AMPS*	6.50	6.76	7.04	6.86	7.15	7.45	7.14	7.45	7.76	7.44	7.74	8.06	7.71	8.07	8.45	8.06	8.42	8.82	8.55	8.94	9.34	9.09	9.50	9.93
	HIPR	219	234	250	234	250	266	251	267	284	273	288	305	295	313	332	320	339	359	349	369	389	377	398	419
	LO PR	38	38	38	48	48	49	60	60	61	73	74	74	89	89	90	106	106	107	125	125	126	144	145	146
800	MBH†	7.60	7.16	6.69	10.32	9.89	9.43	13.20	12.78	12.33	16.68	16.33	15.50	19.78	19.45	19.11	23.16	22.80	22.40	27.04	26.59	26.13	30.78	30.48	30.11
	T/R	9.50	8.90	8.30	12.90	12.40	11.80	16.50	16.00	15.40	20.90	20.40	19.30	24.80	24.30	23.80	29.00	28.50	27.90	33.90	33.20	32.60	38.50	38.10	37.50
	AMPS*	6.56	6.83	7.10	6.89	7.18	7.48	7.13	7.45	7.76	7.39	7.73	8.02	7.61	7.98	8.35	7.93	8.30	8.68	8.35	8.76	9.16	8.79	9.21	9.64
	HIPR	216	231	247	230	245	262	245	261	278	264	282	297	284	302	321	307	326	346	333	354	374	357	378	399
	LO PR	37	38	38	48	48	49	60	60	61	73	74	74	89	89	89	105	106	107	124	125	125	141	143	144
900	MBH†	7.75	7.31	6.83	10.49	10.06	9.61	13.41	12.99	12.53	16.88	16.54	15.79	20.02	19.67	19.32	23.44	23.06	22.69	27.26	26.90	26.46	30.66	30.43	30.17
	T/R	8.60	8.10	7.60	11.70	11.20	10.60	14.90	14.40	13.90	18.80	18.40	17.50	22.30	21.80	21.40	26.10	25.60	25.10	30.30	29.90	29.30	34.10	33.80	33.40
	AMPS*	6.63	6.90	7.18	6.94	7.23	7.53	7.16	7.47	7.79	7.38	7.71	8.02	7.56	7.92	8.30	7.85	8.22	8.60	8.20	8.60	9.02	8.58	9.00	9.43
	HIPR	214	229	245	226	242	258	240	256	273	258	275	291	276	294	313	297	316	335	319	340	361	340	362	384
	LO PR	37	38	38	48	48	49	60	60	61	73	73	74	88	89	89	105	106	106	123	124	125	139	140	142

COOLING		030 Size Outdoor With FS(M,U)4P30**AX Indoor Cooling																									
		Outdoor Ambient Temperature - Degrees F, Dry Bulb																									
		75					85					105							115								
CFM		Entering Indoor Temperature - Degrees F, Wet Bulb																									
		57	62	63††	67	72	72	72	72	72	72	72	72	72	72	72	72	72	72	72							
875	MBht	28.19	29.59	30.24	32.79	36.04	27.05	28.10	28.70	31.16	34.51	25.76	26.49	27.05	29.41	32.77	23.68	23.93	24.46	27.49	30.80	21.79	21.84	21.58	24.83	28.49	
	S/T‡	1.00	0.91	0.72	0.70	0.52	1.00	0.93	0.74	0.71	0.52	1.00	0.95	0.76	0.73	0.53	1.00	1.00	0.79	0.75	0.54	1.00	1.00	0.83	0.79	0.55	
	AMPS*	9.43	9.47	9.49	9.56	9.67	10.38	10.42	10.45	10.55	10.67	11.45	11.49	11.52	11.66	11.79	12.47	12.49	12.52	12.87	13.06	13.81	13.81	13.79	14.00	14.51	
	HI PR	275	278	279	283	289	317	319	321	327	333	363	365	367	374	382	406	407	409	425	434	460	461	461	460	470	491
	LO PR	121	126	129	138	149	125	129	131	141	152	129	132	133	143	156	135	136	137	146	159	141	142	142	142	150	163
1000	MBht	29.47	30.35	30.95	33.51	36.70	28.26	28.81	29.34	31.88	35.16	26.92	27.18	27.62	30.00	33.39	24.99	25.05	25.16	28.03	31.40	22.89	22.97	22.32	25.19	29.09	
	S/T‡	1.00	0.95	0.75	0.72	0.53	1.00	0.97	0.77	0.74	0.54	1.00	1.00	0.79	0.76	0.54	1.00	1.00	0.82	0.78	0.56	1.00	1.00	0.87	0.83	0.57	
	AMPS*	9.63	9.66	9.67	9.74	9.86	10.60	10.62	10.64	10.74	10.86	11.69	11.70	11.72	11.86	11.98	12.74	12.75	12.75	13.09	13.24	14.03	14.03	13.99	14.23	14.70	
	HI PR	278	280	280	285	291	320	322	323	328	335	367	368	369	376	383	412	412	412	427	436	464	464	464	462	473	493
	LO PR	127	130	132	141	151	130	132	134	144	155	134	135	136	146	158	140	140	140	149	162	146	146	144	144	153	165
1125	MBht	30.57	31.02	31.52	34.05	37.18	29.27	29.43	29.83	32.39	35.63	27.88	27.92	28.05	30.48	33.84	26.31	26.34	25.78	28.43	31.82	23.93	23.97	22.82	25.84	29.52	
	S/T‡	1.00	0.98	0.78	0.75	0.54	1.00	1.01	0.80	0.77	0.55	1.00	1.00	0.82	0.79	0.56	1.00	1.00	0.85	0.82	0.57	1.00	1.00	0.91	0.86	0.59	
	AMPS*	9.83	9.84	9.85	9.93	10.05	10.81	10.82	10.83	10.92	11.05	11.91	11.91	11.91	12.04	12.16	13.12	13.12	13.12	13.00	13.29	13.42	14.29	14.29	14.19	14.51	14.87
	HI PR	280	281	282	286	293	323	324	324	330	336	371	371	371	377	384	421	421	421	416	429	437	468	468	464	478	494
	LO PR	131	133	134	143	154	135	135	136	146	157	138	139	139	149	161	143	143	142	151	164	149	149	149	145	155	167

HEATING		030 Size Outdoor With FS(M,U)4P30**AX Indoor Heating																							
		Outdoor Ambient Temperature - Degrees F, Dry Bulb																							
		-3					7					17					27		47		57		67		
CFM		Entering Indoor Temperature - Degrees F, Dry Bulb																							
		65	70	75	65	70	75	65	70	75	65	70	75	65	70	75	65	70	75	65	70	75	65	70	75
875	MBht	10.66	10.18	9.68	13.93	13.46	12.95	17.49	17.00	16.48	21.91	21.45	20.43	25.80	25.38	25.00	30.03	29.57	29.10	34.69	34.19	33.68	39.03	38.55	38.06
	T/R	12.10	11.60	11.00	15.80	15.30	14.70	19.90	19.30	18.70	24.90	24.40	23.10	29.40	28.80	28.30	34.20	33.60	33.00	39.50	38.80	38.10	44.40	43.80	43.10
	AMPS*	8.46	8.80	9.16	8.84	9.20	9.57	9.22	9.59	9.98	9.70	10.09	10.43	10.12	10.56	11.03	10.62	11.08	11.56	11.11	11.59	12.09	11.56	12.04	12.55
	HI PR	224	239	255	239	255	271	256	272	289	279	296	311	301	320	340	327	346	366	362	372	393	374	394	415
	LO PR	37	37	37	47	48	48	59	59	60	73	73	74	88	88	89	105	106	106	123	124	125	139	140	141
1000	MBht	10.88	10.40	9.89	14.17	13.71	13.21	17.79	17.29	16.79	22.22	21.82	20.85	26.15	25.73	25.34	30.41	30.00	29.52	35.02	34.56	34.11	39.03	38.61	38.16
	T/R	10.80	10.30	9.80	14.10	13.60	13.10	17.70	17.20	16.60	22.10	21.70	20.70	26.00	25.60	25.10	30.30	29.80	29.30	34.90	34.30	33.80	38.90	38.40	37.80
	AMPS*	8.54	8.89	9.24	8.89	9.25	9.62	9.22	9.60	9.99	9.65	10.06	10.40	10.03	10.46	10.91	10.47	10.92	11.39	10.88	11.34	11.83	11.25	11.73	12.23
	HI PR	220	236	252	234	250	266	249	266	283	270	288	303	290	309	328	313	333	353	335	355	375	354	374	395
	LO PR	37	37	37	47	47	48	59	59	60	72	73	73	88	88	89	104	105	106	122	123	123	136	137	139
1125	MBht	11.08	10.60	10.09	14.39	13.94	13.43	18.03	17.56	17.05	22.47	22.10	21.26	26.45	26.04	25.61	30.78	30.34	29.89	35.19	34.77	34.34	38.92	38.54	38.13
	T/R	9.80	9.40	8.90	12.70	12.30	11.80	16.00	15.50	15.00	19.90	19.50	18.70	23.40	23.00	22.60	27.20	26.80	26.30	31.10	30.70	30.20	34.40	34.00	33.60
	AMPS*	8.64	8.99	9.34	8.96	9.32	9.70	9.26	9.64	10.04	9.65	10.06	10.42	9.99	10.42	10.86	10.40	10.84	11.30	10.73	11.19	11.67	11.05	11.53	12.02
	HI PR	218	233	249	230	246	263	244	261	278	263	281	297	282	300	319	303	322	342	322	341	362	339	359	379
	LO PR	37	37	37	47	47	48	59	59	60	72	73	73	88	88	88	104	105	105	120	121	122	134	135	136

COOLING		042 Size Outdoor With FS(M,U)4P42**A* Indoor Cooling																									
		Outdoor Ambient Temperature - Degrees F, Dry Bulb																									
		85				95				105				115													
CFM		Entering Indoor Temperature - Degrees F, Wet Bulb																									
		57	62	63†	67	72	77	82	87	92	97	102	107	112	117	122	127	132									
1225	MBh†	39.22	40.82	41.67	45.21	49.72	37.50	38.60	39.39	42.76	47.29	35.64	36.30	36.98	40.16	44.72	32.84	32.90	33.46	37.51	41.99	30.17	30.22	29.80	33.59	38.99	
	S/†	1.00	0.90	0.71	0.69	0.51	1.00	0.92	0.73	0.70	0.51	1.00	0.95	0.75	0.72	0.52	1.00	1.00	1.00	0.78	0.74	0.53	1.00	1.00	0.83	0.78	0.55
	AMPS*	12.79	12.78	12.77	12.66	12.46	14.27	14.28	14.29	14.28	14.17	15.84	15.87	15.90	16.00	15.94	17.33	17.33	17.33	17.37	17.78	17.83	19.09	19.10	19.06	19.43	19.86
	HI PR	291	294	295	301	309	336	339	340	347	355	386	388	389	397	405	434	434	434	435	451	459	488	489	487	501	517
	LO PR	123	128	130	139	150	127	130	132	142	154	131	133	135	145	157	138	138	138	139	148	160	144	144	143	152	163
1400	MBh†	40.93	41.82	42.65	46.14	50.57	39.09	39.55	40.19	43.65	48.10	37.15	37.22	37.69	41.00	45.44	34.73	34.82	34.41	38.19	42.65	31.67	31.73	30.48	34.49	39.61	
	S/†	1.00	0.94	0.74	0.71	0.52	1.00	0.96	0.76	0.73	0.53	1.00	1.00	0.78	0.76	0.54	1.00	1.00	1.00	0.82	0.78	0.55	1.00	1.00	0.87	0.82	0.56
	AMPS*	12.99	12.98	13.00	12.83	12.64	14.51	14.51	14.52	14.49	14.35	16.14	16.14	16.15	16.21	16.15	17.77	17.78	17.71	18.03	18.06	19.47	19.48	19.35	19.78	20.09	
	HI PR	294	296	298	303	311	340	341	342	349	357	391	391	392	399	407	442	442	442	440	453	461	494	495	490	505	519
	LO PR	129	131	133	142	153	133	134	135	145	156	136	137	138	148	159	142	142	142	141	151	162	148	148	145	154	165
1575	MBh†	42.40	42.70	43.32	46.84	51.18	40.43	40.49	40.80	44.29	48.67	38.38	38.42	38.21	41.62	45.96	36.20	36.25	35.46	38.79	43.10	32.99	33.05	31.05	35.46	40.03	
	S/†	1.00	0.97	0.77	0.74	0.53	1.00	1.00	0.79	0.76	0.54	1.00	1.00	0.82	0.79	0.55	1.00	1.00	1.00	0.85	0.82	0.57	1.00	1.00	0.91	0.86	0.58
	AMPS*	13.18	13.16	13.15	13.01	12.82	14.74	14.74	14.74	14.68	14.55	16.40	16.40	16.39	16.41	16.36	18.16	18.17	18.10	18.25	18.29	19.85	19.86	19.64	20.20	20.33	
	HI PR	297	298	299	305	312	344	344	344	351	359	394	394	393	400	409	448	448	448	445	454	462	500	500	493	511	520
	LO PR	133	134	135	144	155	137	137	138	147	158	141	141	140	150	161	145	145	145	143	153	164	151	152	147	156	167

HEATING		042 Size Outdoor With FS(M,U)4P42**A* Indoor Heating																							
		Outdoor Ambient Temperature - Degrees F, Dry Bulb																							
		75				85				95				105											
CFM		Entering Indoor Temperature - Degrees F, Dry Bulb																							
		65	70	75	80	85	90	95	100	105	110	115	120	125	130	135	140	145							
1225	MBh†	14.25	13.53	12.75	18.84	18.13	17.35	23.67	22.95	22.20	28.90	28.14	27.36	35.02	34.47	33.85	40.59	39.94	39.32	47.12	46.37	45.63	54.78	53.89	52.95
	T/R	11.00	10.40	9.80	14.50	13.90	13.30	18.20	17.60	17.00	22.30	21.60	21.00	27.00	26.50	26.00	31.30	30.70	30.10	36.30	35.60	35.00	42.20	41.40	40.60
	AMPS*	10.03	10.65	11.30	10.76	11.32	11.90	11.54	12.06	12.62	12.33	12.85	13.38	13.21	13.76	14.33	13.90	14.47	15.09	14.52	15.14	15.79	15.08	15.80	16.55
	HI PR	222	237	252	236	251	267	251	267	284	269	286	303	292	311	330	314	333	353	340	359	379	369	389	411
	LO PR	33	34	34	43	44	44	55	55	56	67	68	68	82	82	82	98	98	99	117	117	117	138	139	139
1400	MBh†	14.58	13.84	13.05	19.22	18.49	17.73	24.10	23.38	22.63	29.47	28.63	27.85	35.50	34.93	34.35	41.16	40.50	39.84	47.85	47.08	46.32	55.62	54.80	53.95
	T/R	9.80	9.30	8.80	13.00	12.40	11.90	16.20	15.70	15.20	19.90	19.30	18.70	23.90	23.50	23.00	27.70	27.20	26.70	32.20	31.70	31.10	37.50	36.90	36.20
	AMPS*	10.12	10.75	11.41	10.82	11.39	11.98	11.57	12.09	12.65	12.32	12.83	13.37	13.13	13.68	14.25	13.75	14.33	14.93	14.30	14.91	15.55	14.65	15.37	16.10
	HI PR	219	234	249	231	247	263	245	262	279	261	278	296	282	301	320	302	321	341	326	345	365	351	371	392
	LO PR	33	34	34	43	44	44	55	55	55	67	68	68	82	82	82	98	98	99	116	117	117	137	138	139
1575	MBh†	14.86	14.12	13.33	19.53	18.81	18.05	24.45	23.74	22.99	30.07	29.06	28.28	35.90	35.35	34.76	41.65	40.98	40.32	48.46	47.68	46.90	56.12	55.39	54.61
	T/R	8.90	8.40	7.90	11.70	11.20	10.80	14.60	14.20	13.70	18.00	17.40	16.90	21.50	21.10	20.70	24.90	24.50	24.00	29.00	28.50	28.00	33.60	33.10	32.60
	AMPS*	10.24	10.87	11.53	10.92	11.48	12.08	11.64	12.17	12.72	12.38	12.88	13.41	13.12	13.67	14.24	13.69	14.27	14.86	14.17	14.79	15.42	14.39	15.09	15.82
	HI PR	216	231	247	228	244	260	240	257	274	256	272	290	274	293	312	293	312	332	315	334	354	337	357	377
	LO PR	33	34	34	43	44	44	54	55	55	67	67	68	81	82	82	98	98	98	116	117	117	136	137	138

048 Size Outdoor With FS(M,U)4P48**A* Indoor Cooling																												
Outdoor Ambient Temperature - Degrees F, Dry Bulb																												
COOLING	CFM	85															115											
		Entering Indoor Temperature - Degrees F, Wet Bulb																										
		57	62	63†	67	72	72	67	67	72	72	67	67	72	72	67	72											
1400	MBH†	44.75	46.64	47.63	51.73	56.73	42.85	44.16	45.07	48.96	54.26	40.89	41.69	42.48	46.12	51.46	38.73	39.06	39.75	43.28	48.38	35.24	35.32	35.14	40.21	45.13		
	S/T‡	1.00	0.90	0.72	0.69	0.51	1.00	0.92	0.73	0.70	0.51	1.00	0.95	0.75	0.72	0.52	1.00	0.98	0.77	0.74	0.53	1.00	1.00	1.00	0.82	0.77	0.55	
	AMPS*	14.50	14.52	14.53	14.46	14.38	16.21	16.25	16.27	16.38	16.36	17.99	18.03	18.06	18.23	18.35	19.90	19.93	19.96	20.20	20.41	21.85	21.85	21.85	21.83	22.33	22.63	
	HI PR	277	280	281	284	289	319	321	322	329	333	366	368	369	375	381	417	418	419	426	433	469	469	469	468	480	490	
	LO PR	124	128	130	140	150	127	131	133	143	154	131	133	135	145	158	135	136	138	148	161	142	143	143	142	151	164	
1600	MBH†	46.75	47.79	48.72	52.82	57.59	44.69	45.24	46.02	50.01	55.20	42.59	42.70	43.30	47.00	52.34	40.38	40.44	40.49	44.03	49.24	37.22	37.30	36.09	40.91	45.93		
	S/T‡	1.00	0.94	0.75	0.72	0.52	1.00	0.97	0.76	0.74	0.53	1.00	1.00	0.78	0.76	0.54	1.00	1.00	0.81	0.78	0.55	1.00	1.00	1.00	0.86	0.81	0.57	
	AMPS*	14.81	14.81	14.82	14.71	14.66	16.56	16.57	16.60	16.65	16.65	18.38	18.38	18.40	18.58	18.65	20.32	20.32	20.32	20.55	20.73	22.33	22.34	22.34	22.21	22.69	22.95	
	HI PR	280	281	282	285	290	323	323	324	329	334	370	370	370	377	383	421	421	421	428	435	474	474	474	471	483	491	
	LO PR	129	132	134	143	152	133	134	136	146	157	137	137	138	148	161	141	141	141	141	151	164	146	147	144	153	167	
1800	MBH†	48.48	48.86	49.56	53.60	58.16	46.26	46.33	46.72	50.78	55.85	44.01	44.07	43.90	47.70	52.99	41.70	41.76	41.06	44.57	49.84	39.19	39.24	36.89	41.43	46.49		
	S/T‡	1.00	0.98	0.78	0.74	0.53	1.00	1.00	0.80	0.77	0.54	1.00	1.00	0.82	0.79	0.56	1.00	1.00	0.85	0.82	0.57	1.00	1.00	1.00	0.89	0.85	0.59	
	AMPS*	15.10	15.09	15.08	14.98	14.94	16.90	16.90	16.91	16.93	16.94	18.74	18.74	18.72	18.89	18.95	20.70	20.71	20.66	20.88	21.04	22.87	22.87	22.87	22.60	23.04	23.27	
	HI PR	282	283	283	286	291	325	325	326	330	336	372	372	372	378	384	424	424	424	422	429	436	479	479	479	473	484	492
	LO PR	134	135	136	145	154	138	138	138	148	159	141	141	141	151	163	145	145	145	143	153	166	149	150	146	156	169	

048 Size Outdoor With FS(M,U)4P48**A* Indoor Heating																									
Outdoor Ambient Temperature - Degrees F, Dry Bulb																									
HEATING	CFM	85															115								
		Entering Indoor Temperature - Degrees F, Dry Bulb																							
		65	70	75	75	70	75	75	70	75	75	70	75	75	70	75	75	70							
1400	MBH†	18.01	17.38	16.69	23.17	22.54	21.85	28.77	28.07	27.33	35.00	34.54	34.06	40.92	40.31	39.73	47.57	46.83	46.11	55.36	54.47	53.62	64.43	63.45	62.50
	T/R	12.30	11.80	11.30	15.80	15.30	14.80	19.60	19.10	18.50	23.80	23.50	23.10	27.90	27.40	26.90	32.40	31.80	31.30	37.70	37.00	36.40	43.90	43.10	42.40
	AMPS*	12.59	13.09	13.64	13.11	13.63	14.19	13.69	14.23	14.81	14.38	14.99	15.63	15.06	15.69	16.36	15.83	16.50	17.21	16.78	17.49	18.22	17.65	18.44	19.25
	HI PR	224	240	256	238	254	271	254	271	288	273	292	311	293	312	331	316	335	355	346	365	385	374	394	415
	LO PR	35	35	36	45	46	46	57	57	58	70	70	71	85	85	86	101	102	102	121	121	122	142	143	143
1600	MBH†	18.35	17.74	17.05	23.55	22.93	22.25	29.22	28.53	27.81	35.43	34.99	34.51	41.47	40.86	40.26	48.25	47.50	46.76	56.21	55.30	54.42	65.12	64.27	63.39
	T/R	10.90	10.60	10.10	14.00	13.60	13.20	17.40	17.00	16.50	21.10	20.80	20.50	24.70	24.30	23.90	28.80	28.20	27.70	33.50	32.90	32.30	38.80	38.20	37.60
	AMPS*	12.76	13.26	13.81	13.24	13.75	14.31	13.75	14.30	14.87	14.38	14.99	15.62	14.99	15.63	16.28	15.68	16.35	17.05	16.55	17.26	17.99	17.27	18.04	18.83
	HI PR	220	236	253	233	249	267	247	264	282	265	283	302	283	301	321	304	323	343	332	351	371	357	376	397
	LO PR	35	35	36	45	46	46	57	57	58	70	70	70	85	85	85	101	102	102	120	121	121	141	142	143
1800	MBH†	18.65	18.06	17.37	23.89	23.29	22.61	29.73	28.95	28.22	35.82	35.34	34.89	41.95	41.33	40.72	48.83	48.07	47.32	56.97	56.03	55.09	65.45	64.66	63.83
	T/R	9.90	9.50	9.20	12.70	12.30	11.90	15.70	15.30	14.90	19.00	18.70	18.40	22.20	21.80	21.50	25.90	25.40	25.00	30.20	29.60	29.10	34.70	34.20	33.70
	AMPS*	12.95	13.45	14.00	13.40	13.91	14.46	13.88	14.41	14.98	14.45	15.05	15.67	15.01	15.65	16.29	15.64	16.32	17.01	16.32	17.10	17.88	17.05	17.81	18.60
	HI PR	218	234	250	229	246	263	242	259	277	258	276	295	275	293	313	295	314	334	319	339	360	344	363	384
	LO PR	35	35	36	45	46	46	57	57	57	70	70	70	85	85	85	101	101	102	120	121	121	140	141	142

COOLING		060 Size Outdoor With FS(M,U)X60*** Indoor Cooling																								
		Outdoor Ambient Temperature - Degrees F, Dry Bulb																								
		75					85					95					105				115					
CFM	57	62	63††	67	72	57	62	63††	67	72	57	62	63††	67	72	57	62	63††	67	72	57	62	63††	67	72	
1750	MBH†	57.36	59.39	60.53	64.73	70.28	55.12	56.60	57.68	61.72	67.10	52.73	53.67	54.66	58.50	63.63	50.21	50.63	51.50	55.15	60.01	47.45	47.46	48.09	51.50	56.06
	S/†‡	1.00	0.89	0.71	0.68	0.50	1.00	0.91	0.72	0.70	0.51	1.00	0.94	0.74	0.71	0.52	1.00	0.96	0.76	0.73	0.52	1.00	1.00	1.00	0.78	0.54
	AMPS*	19.05	19.15	19.19	19.39	19.65	21.05	21.12	21.17	21.37	21.63	23.25	23.30	23.35	23.55	23.81	25.67	25.69	25.73	25.94	26.21	28.32	28.32	28.35	28.56	28.82
	HI PR	285	287	288	292	297	329	330	331	336	341	376	377	378	383	389	428	429	430	435	441	485	485	486	491	497
	LO PR	125	129	131	141	155	128	131	133	144	157	131	134	136	146	159	135	136	138	148	162	139	139	140	150	164
2000	MBH†	59.46	60.48	61.54	65.72	71.26	57.07	57.63	58.58	62.60	67.97	54.53	54.66	55.44	59.26	64.37	51.85	51.85	52.17	55.79	60.64	48.92	48.91	48.63	52.01	56.56
	S/†‡	1.00	0.84	0.74	0.71	0.52	1.00	0.96	0.75	0.73	0.52	1.00	0.99	0.77	0.75	0.53	1.00	1.00	0.79	0.77	0.54	1.00	1.00	1.00	0.82	0.79
	AMPS*	19.62	19.67	19.71	19.91	20.17	21.62	21.65	21.69	21.89	22.15	23.82	23.83	23.86	24.06	24.33	26.24	26.24	26.25	26.45	26.72	28.89	28.89	28.86	29.07	29.32
	HI PR	287	288	289	293	298	331	332	333	337	342	379	379	380	384	390	431	431	431	436	442	488	488	487	492	498
	LO PR	130	133	135	145	159	133	135	137	147	160	137	137	138	149	163	140	140	141	151	165	144	144	144	153	167
2250	MBH†	61.15	61.41	62.26	66.42	71.95	58.65	58.65	59.21	63.21	68.56	55.97	55.97	55.98	59.77	64.87	53.16	53.15	52.62	56.21	61.04	50.07	50.06	49.00	52.34	56.86
	S/†‡	1.00	0.97	0.77	0.74	0.53	1.00	1.00	0.78	0.76	0.54	1.00	1.00	0.80	0.78	0.55	1.00	1.00	0.83	0.81	0.56	1.00	1.00	1.00	0.86	0.83
	AMPS*	20.17	20.18	20.22	20.42	20.67	22.17	22.17	22.19	22.39	22.65	24.37	24.37	24.36	24.57	24.83	26.79	26.79	26.75	26.95	27.21	29.43	29.43	29.36	29.56	29.82
	HI PR	289	290	290	294	299	333	333	334	338	343	381	381	381	385	391	433	433	433	437	443	490	490	488	493	499
	LO PR	135	136	137	148	161	138	138	139	149	163	141	141	141	151	165	145	145	145	153	167	149	149	149	156	170

HEATING		060 Size Outdoor With FS(M,U)X60*** Indoor Heating																							
		Outdoor Ambient Temperature - Degrees F, Dry Bulb																							
		75					85					95					105				115				
CFM	65	70	75	80	85	65	70	75	80	85	65	70	75	80	85	65	70	75	80	85	65	70	75	80	85
1750	MBH†	24.57	23.76	22.90	30.47	29.75	28.96	36.69	36.02	35.29	43.32	42.67	42.00	50.72	49.99	49.25	58.76	58.00	57.22	66.48	65.66	64.84	74.57	73.71	72.82
	T/R	14.10	13.70	13.30	17.60	17.30	17.00	21.30	21.10	20.80	25.30	25.20	25.00	29.90	29.70	29.50	35.00	34.80	34.60	39.90	39.70	39.60	45.20	45.00	44.90
	AMPS*	16.03	16.71	17.40	16.75	17.50	18.27	17.49	18.29	19.12	18.30	19.16	20.05	19.25	20.16	21.10	20.05	20.99	21.98	21.05	22.04	23.07	22.17	23.21	24.28
	HI PR	230	246	263	243	260	277	268	276	294	276	294	314	295	315	335	314	334	355	337	358	380	363	385	408
	LO PR	34	35	35	44	45	45	56	56	57	68	69	69	83	83	84	97	98	99	112	113	114	127	128	129
2000	MBH†	25.10	24.29	23.43	31.01	30.31	29.54	37.29	36.63	35.89	43.97	43.31	42.66	51.55	50.73	50.01	59.18	58.52	57.81	66.76	66.06	65.31	73.14	73.11	72.79
	T/R	12.50	12.20	11.90	15.60	15.40	15.10	18.90	18.70	18.50	22.40	22.20	22.10	26.40	26.20	26.10	30.60	30.50	30.40	34.70	34.70	34.60	38.30	38.70	38.80
	AMPS*	16.31	16.99	17.69	16.96	17.71	18.49	17.62	18.42	19.25	18.34	19.19	20.08	19.14	20.07	21.03	19.86	20.79	21.76	20.72	21.70	22.72	21.46	22.57	23.69
	HI PR	226	242	259	237	254	272	251	269	287	267	285	304	284	303	324	300	320	341	320	341	363	337	361	385
	LO PR	34	35	35	44	45	45	56	56	56	68	69	69	83	83	83	96	97	98	110	111	112	122	124	126
2250	MBH†	25.59	24.78	23.92	31.52	30.81	30.05	37.81	37.15	36.44	44.55	43.89	43.22	52.26	51.46	50.75	59.42	58.83	58.23	66.69	66.14	65.53	70.31	70.72	70.80
	T/R	11.30	11.10	10.80	14.00	13.90	13.60	16.90	16.80	16.60	20.10	19.90	19.80	23.70	23.50	23.40	27.10	27.10	27.00	30.60	30.60	30.60	32.40	32.90	33.20
	AMPS*	16.63	17.30	18.01	17.22	17.97	18.75	17.82	18.62	19.44	18.49	19.33	20.20	19.15	20.07	21.01	19.82	20.75	21.70	20.57	21.54	22.54	20.88	21.99	23.12
	HI PR	222	239	256	233	250	267	246	263	281	260	278	297	274	294	314	290	310	330	307	328	350	315	339	363
	LO PR	34	35	35	44	45	45	56	56	56	68	69	69	82	83	83	95	96	97	108	109	111	114	117	120

N4H3 PARTS LIST									
KEY NO.	DESCRIPTION	FAST PARTS NO.	N4H318AKE100	N4H324AKE100	N4H330AKE100	N4H336AKE100	N4H342AKE100	N4H348AKE100	N4H360AKB400
01	COMP ZP16K5E-PFV-130	ZP16K5EPFV130	1	-	-	-	-	-	-
01	COMP ZP21K5E-PFV-130	ZP21K5EPFV130	-	1	-	-	-	-	-
01	COMP ZP28K5E-PFV-131	ZP28K5EPFV130	-	-	1	-	-	-	-
01	COMP ZP31K5E-PFV-130	ZP31K5EPFV130	-	-	-	1	-	-	-
01	COMP ZP38K5E-PFV-130	ZP38K5EPFV130	-	-	-	-	1	-	-
01	COMP ZP42K5E-PFV-130	ZP42K5EPFV130	-	-	-	-	-	1	-
01	COMP ZP51K5E-PFV-130	ZP51K5EPFV130	-	-	-	-	-	-	1
02	MTR CND 1/208-230 1/12 1100	1172706	1	-	-	-	-	-	-
02	MTR CND 1/230 1/10 1100	1172707	-	1	-	-	-	-	-
02	MTR CND 1/230 1/5 810	1172775	-	-	1	1	-	-	-
02	MTR CND 1/230 1/10	1173646	-	-	-	-	1	-	-
02	MTR CND 1/230 1/4 825	1172709	-	-	-	-	-	1	-
02	MTR CND 1/230 1/4 825	1173665	-	-	-	-	-	-	1
03	FAN C 20" 2B 1/2" 20 INT	1172711	1	-	-	-	-	-	-
03	FAN C 20" 2B 1/2" 24 INT	1172712	-	1	-	-	-	-	-
03	FAN C 24" 2B 1/2" 18 INT	1172713	-	-	1	1	-	-	-
03	FAN C 24" 2B 1/2" 16 INT	1173874	-	-	-	-	1	-	-
03	FAN C 24" 3B 1/2" 19 INT	1173854	-	-	-	-	-	1	-
03	FAN C 26" 3B 1/2" 24 INT	1172716	-	-	-	-	-	-	1
04	CONTACTOR 1P 30A 24V W/SHUNT	1172472	1	1	1	1	1	1	-
04	CONTACTOR 40A	1176763	-	-	-	-	-	-	1
05	CAP RN RD 370V 5+30	1172109	1	-	-	-	-	-	-
05	CAP RN RD 370V 5+40	1172147	-	1	-	-	-	-	-
05	CAP RN RD 370V 5+45	1172124	-	-	1	1	1	-	-
05	CAP RN RD 370V 7.5+70	1172295	-	-	-	-	-	1	1
06	COND COIL ASY	1179830	1	-	-	-	-	-	-
06	COND COIL ASY	1174897	-	1	-	-	-	-	-
06	COND COIL ASY	1179831	-	-	1	-	-	-	-
06	COND COIL ASY	1179832	-	-	-	1	-	-	-
06	COND COIL ASY	1179833	-	-	-	-	1	-	-
06	COND COIL ASSY FORMED	1179834	-	-	-	-	-	1	-
06	COND COIL ASSY FORMED	1174936	-	-	-	-	-	-	1
07	VALVE SVC PARK SUC 10S-10S	1172725	1	1	-	-	-	-	-
07	VALVE SVC PARK SUC 12S-12S	1172726	-	-	1	1	-	-	-
07	VALVE SVC PARK SUC 14S-14S	1172727	-	-	-	-	1	1	1
08	VALVE SERVICE LIQUID	1173629	1	1	1	1	1	1	1
09	PLUG COMP WIRE (SM) 10GAX54"	1172732	-	-	-	-	-	-	1
09	PLUG COMP WIRE (SM) 14GAX38"	1172729	1	1	-	-	-	-	-
09	PLUG COMP WIRE (SM) 12GAX44"	1172731	-	-	1	-	1	-	-
09	PLUG COMP WIRE (SM) 12GAX38"	1172730	-	-	-	1	-	1	1
10	GROMMET COMPRESSOR 1.62"DIA	1171270	4	4	4	4	4	4	4
11	BOLT SHLDR COMP. MTG,	1173630	4	4	4	4	4	4	4
12	VALVE REV W/COIL 24V	1173715	1	1	-	-	-	-	-

- continued on next page -

N4H3 PARTS LIST (continued)									
KEY NO.	DESCRIPTION	FAST PARTS NO.	N4H318AKE100	N4H324AKE100	N4H330AKE100	N4H336AKE100	N4H342AKE100	N4H348AKE100	N4H360AKB400
12	VALVE REVERSING	1175621	-	-	1	1	-	-	-
12	VALVE REVERSING	1175622	-	-	-	-	1	1	1
13	COIL REV VLV 24V	1172574	1	1	1	1	1	1	1
14	HARNESS ASSY 52" RVS PLUG	1179387	1	1	1	1	1	1	-
14	HARNESS ASSY 52" RVS PLUG	1173988	-	-	-	-	-	-	1
15	ACCUMULATOR 84 CI 5/8	1173631	1	-	-	-	-	-	-
15	ACCUMULATOR 120 3/4 NH	1172018	-	1	1	1	-	-	-
15	ACCUMULATOR	1172122	-	-	-	-	1	-	-
15	ACCUMULATOR	1173719	-	-	-	-	-	1	-
15	ACCUMULATOR	1172313	-	-	-	-	-	-	1
16	CAPILLARY ASSY FORMED	1174096	1	1	1	1	1	1	1
17	PRESSURE SWITCH LOW	1176661	1	1	1	1	1	1	1
18	PISTON CHATLEFF .040	1173990	1	-	-	-	-	-	-
18	PISTON CHATLEFF .046	1173650	-	1	-	-	-	-	-
18	PISTON .055	1173655	-	-	1	-	-	-	-
18	PISTON CHATLEFF .057	1173658	-	-	-	1	-	-	-
18	PISTON CHATLEFF .065	1173873	-	-	-	-	1	1	-
18	PISTON CHATLEFF .076	1173673	-	-	-	-	-	-	1
19	SWITCH PRESSURE HIGH	1174695	1	1	1	1	1	1	1
20	DISTRIBUTOR	1172020	1	1	-	-	-	-	-
20	DISTRIBUTOR	1172021	-	-	1	1	-	-	-
20	DISTRIBUTOR	1172022	-	-	-	-	1	-	-
20	DISTRIBUTOR	1176638	-	-	-	-	-	1	-
20	DISTRIBUTOR	1174007	-	-	-	-	-	-	1
22	SENSOR DEFROST O65 C32	1173637	1	1	1	1	1	1	1
23	MUFFLER	1173668	1	1	1	1	1	1	1
24	FILTER DRIER ASSY	1173991	1	1	1	1	1	1	-
24	DRIER KIT FILTER O6CI 3/8 SW	1174010	-	-	-	-	-	-	1
26	DEFROST CONTROL BOARD	1173636	1	1	1	1	1	1	1
28	CAP FLARE	1172410	1	1	1	1	1	1	1
29	GROMMET ACCUMULATOR CUSHION	1172806	1	1	1	1	1	1	1
30	CLIP ACCUM	1173640	1	1	1	1	1	1	1
32	RACEWAY	1173642	1	1	-	-	-	-	-
32	RACEWAY	1171428	-	-	1	1	1	1	-
32	RACEWAY	1175919	-	-	-	-	-	-	1
33	LUG GROUND	1172300	1	1	1	1	1	1	1
34	HARNESS ASSY	1174744	1	1	1	1	1	1	1
35	HTR CC WP 40W240V TCH-245	1173944	-	-	-	-	-	1	1
36	SWITCH TEMP DISC O85 C65	1173669	-	-	-	-	-	1	1
A	TOP COVER ASY	1178601	1	1	-	-	-	-	-
A	TOP COVER ASY	1178643	-	-	1	1	1	1	-
A	TOP COVER ASY	1178565	-	-	-	-	-	-	1
B	NUT CAP HEX	1172740	4	4	4	4	4	4	4

- continued on next page -

N4H3 PARTS LIST (continued)									
KEY NO.	DESCRIPTION	FAST PARTS NO.	N4H318AKE100	N4H324AKE100	N4H330AKE100	N4H336AKE100	N4H342AKE100	N4H348AKE100	N4H360AKB400
C	GRILLE INLET	1178837	1	-	-	-	-	-	-
C	GRILLE INLET	1178655	-	1	-	-	-	-	-
C	GRILLE INLET	1178935	-	-	1	-	1	-	-
C	GRILLE INLET	1178649	-	-	-	1	-	-	-
C	GRILLE INLET	1178656	-	-	-	-	-	1	-
C	GRILLE INLET	1178819	-	-	-	-	-	-	1
D	BOX CONTROL	1173643	1	1	1	1	1	1	1
E	KIT CONTROL BOX COVER	1179841	1	-	-	-	-	-	-
E	KIT CONTROL BOX COVER	1179842	-	1	-	-	-	-	-
E	KIT CONTROL BOX COVER	1179843	-	-	1	-	-	-	-
E	KIT CONTROL BOX COVER	1179844	-	-	-	1	-	-	-
E	KIT CONTROL BOX COVER	1179845	-	-	-	-	1	-	-
E	KIT CONTROL BOX COVER	1179870	-	-	-	-	-	1	-
E	KIT CONTROL BOX COVER	1179033	-	-	-	-	-	-	1
E	KIT CONTROL BOX COVER	1179044	-	-	-	-	-	-	1
F	SVCE PNL ASSY	1178325	-	-	-	-	-	1	1
F	SVCE PNL ASSY	1178324	1	-	1	-	1	-	-
F	SVCE PNL ASSY	1178528	-	1	-	1	-	-	-
F	SVCE PNL ASSY	1178696	-	-	-	-	-	-	1
G	BASE PAN ASY	1178653	1	1	-	-	-	-	-
G	BASE PAN ASY	1178308	-	-	1	1	1	1	-
G	BASE PAN ASY	1178309	-	-	-	-	-	-	1
L	GUARD FAN	1178640	1	1	-	-	-	-	-
L	GUARD FAN	1178644	-	-	1	1	1	1	-
L	GUARD FAN	1178604	-	-	-	-	-	-	1
N	SUPPORT COIL	1174068	3	3	5	5	5	5	5
P	CLAMP CAPACITOR ROUND 2.0"D	1172734	1	1	1	1	1	-	-
P	CLAMP CAPACITOR ROUND 2.5"D	1172735	-	-	-	-	-	1	1
Parts Not Shown									
)	GROMMET	1171737	1	1	1	1	1	1	1
)	DRIER FILTER SUCT LINE 8.0 CI	1174194	1	1	1	1	-	-	-
)	DRIER FILTER SUCT LINE 15.0 CI	1174193	-	-	-	-	1	1	1
)	KIT ADAPTER ASSY	1174192	1	1	1	1	1	1	1
)	CAP SERVICE KIT 11/16-20	1175650	1	1	1	1	1	1	1
)	CAP SERVICE KIT 15/16-20	1175651	1	1	1	1	-	-	-
)	CAP SERVICE KIT 1-1/16-20	1175652	-	-	-	-	1	1	1
)	PAINT TOUCH UP BALTIC GRY 1 PT	1178322	1	1	1	1	1	1	1
)	KIT PISTON TOOL BODY RESIZER	1175477	1	1	1	1	1	1	1
)	SCREW HEX HD 10AB X 3/8	1176782	14	14	14	14	14	14	14
)	SCREW HEX HEAD 12AB 5/8	1178281	4	4	4	4	4	4	4
)	SCREW HX HEAD 10AB 1/2	1178280	13	13	13	13	13	13	13

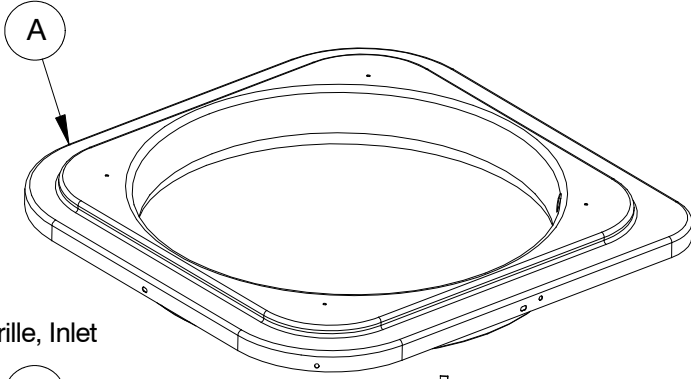
N4H3 PARTS LIST									
KEY NO.	DESCRIPTION	FAST PARTS NO.	N4H318GKE100	N4H324GKE100	N4H330GKE100	N4H336GKE100	N4H342GKE100	N4H348GKE100	N4H360GKB400
01	COMP ZP16K5E-PFV-130	ZP16K5EPFV130	1	-	-	-	-	-	-
01	COMP ZP21K5E-PFV-130	ZP21K5EPFV130	-	1	-	-	-	-	-
01	COMP ZP28K5E-PFV-131	ZP28K5EPFV130	-	-	1	-	-	-	-
01	COMP ZP31K5E-PFV-130	ZP31K5EPFV130	-	-	-	1	-	-	-
01	COMP ZP38K5E-PFV-130	ZP38K5EPFV130	-	-	-	-	1	-	-
01	COMP ZP42K5E-PFV-130	ZP42K5EPFV130	-	-	-	-	-	1	-
01	COMP ZP54K5E-PFV-130	ZP54K5EPFV130	-	-	-	-	-	-	1
02	MTR CND 1/208-230 1/12 1100	1172706	1	-	-	-	-	-	-
02	MTR CND 1/230 1/10 1100	1172707	-	1	-	-	-	-	-
02	MTR CND 1/230 1/5 810	1172775	-	-	1	1	-	-	-
02	MTR CND 1/230 1/10	1173646	-	-	-	-	1	-	-
02	MTR CND 1/230 1/4 825	1172709	-	-	-	-	-	1	-
02	MTR CND 1/230 1/4 825	1173665	-	-	-	-	-	-	1
03	FAN C 20" 2B 1/2" 20 INT	1172711	1	-	-	-	-	-	-
03	FAN C 20" 2B 1/2" 24 INT	1172712	-	1	-	-	-	-	-
03	FAN C 24" 2B 1/2" 18 INT	1172713	-	-	1	1	-	-	-
03	FAN C 24" 2B 1/2" 16 INT	1173874	-	-	-	-	1	-	-
03	FAN C 24" 3B 1/2" 19 INT	1173854	-	-	-	-	-	1	-
03	FAN C 24" 3B 1/2" 24 INT	1172716	-	-	-	-	-	-	1
04	CONTACTOR 1P 30A 24V W/SHUNT	1172472	1	1	1	1	1	1	-
04	CONTACTOR 40A	1176763	-	-	-	-	-	-	1
05	CAP RN RD 370V 5+30	1172109	1	-	-	-	-	-	-
05	CAP RN RD 370V 5+40	1172147	-	1	-	-	-	-	-
05	CAP RN RD 370V 5+45	1172124	-	-	1	1	1	-	-
05	CAP RN RD 370V 7.5+70	1172295	-	-	-	-	-	1	-
05	CAP RN RD 370V 7.5+80	1172296	-	-	-	-	-	-	1
06	COND COIL ASY	1179830	1	-	-	-	-	-	-
06	COND COIL ASY	1174897	-	1	-	-	-	-	-
06	COND COIL ASY	1179831	-	-	1	-	-	-	-
06	COND COIL ASY	1179832	-	-	-	1	-	-	-
06	COND COIL ASY	1179832	-	-	-	-	1	-	-
06	COND COIL ASY	1175047	-	-	-	-	-	-	1
06	COND COIL ASSY FORMED	1179834	-	-	-	-	-	1	-
07	VALVE SVC PARK SUC 10S-10S	1172725	1	1	-	-	-	-	-
07	VALVE SVC PARK SUC 12S-12S	1172726	-	-	1	1	-	-	-
07	VALVE SVC PARK SUC 14S-14S	1172727	-	-	-	-	1	1	1
08	VALVE SERVICE LIQUID	1173629	1	1	1	1	1	1	1
09	PLUG COMP WIRE (SM) 14GAX38"	1172729	1	1	-	-	-	-	-
09	PLUG COMP WIRE (SM) 12GAX44"	1172731	-	-	1	-	1	-	-
09	PLUG COMP WIRE (SM) 12GAX38"	1172730	-	-	-	1	-	1	-
09	PLUG COMP WIRE (SM) 10GAX54"	1172732	-	-	-	-	-	-	1
10	GROMMET COMPRESSOR 1.62"DIA	1171270	4	4	4	4	4	4	4
11	BOLT SHLDR COMP. MTG,	1173630	4	4	4	4	4	4	4
12	VALVE REV W/COIL 24V	1173715	1	1	-	-	-	-	-

N4H3 PARTS LIST (continued)									
KEY NO.	DESCRIPTION	FAST PARTS NO.	N4H318GKE100	N4H324GKE100	N4H330GKE100	N4H336GKE100	N4H342GKE100	N4H348GKE100	N4H360GKB400
12	VALVE REVERSING	1175621	-	-	1	1	-	-	-
12	VALVE REVERSING	1175622	-	-	-	-	1	1	1
13	COIL REV VLV 24V	1172574	1	1	1	1	1	1	1
14	HARNESS ASSY 52" RVS PLUG	1179387	1	1	1	1	1	1	-
14	HARNESS ASSY 52" RVS PLUG	1173988	-	-	-	-	-	-	1
15	ACCUMULATOR 84 CI 5/8	1173631	1	-	-	-	-	-	-
15	ACCUMULATOR 120 3/4 NH	1172018	-	1	1	1	-	-	-
15	ACCUMULATOR	1172122	-	-	-	-	1	-	-
15	ACCUMULATOR	1173719	-	-	-	-	-	1	1
16	CAPILLARY ASSY FORMED	1174096	1	1	1	1	1	1	1
17	PRESSURE SWITCH LOW	1176661	1	1	1	1	1	1	1
18	PISTON CHATLEFF .040	1173990	1	-	-	-	-	-	-
18	PISTON CHATLEFF .046	1173650	-	1	-	-	-	-	-
18	PISTON .055	1173655	-	-	1	-	-	-	-
18	PISTON CHATLEFF .057	1173658	-	-	-	1	-	-	-
18	PISTON CHATLEFF .065	1173873	-	-	-	-	1	1	-
18	PISTON CHATLEFF .076	1173673	-	-	-	-	-	-	1
19	SWITCH PRESSURE HIGH	1174695	1	1	1	1	1	1	1
20	DISTRIBUTOR	1172020	1	1	-	-	-	-	-
20	DISTRIBUTOR	1172021	-	-	1	1	-	-	-
20	DISTRIBUTOR	1172022	-	-	-	-	1	-	-
20	DISTRIBUTOR	1176638	-	-	-	-	-	1	1
22	SENSOR DEFROST O65 C32	1173637	1	1	1	1	1	1	1
23	MUFFLER	1173668	1	1	1	1	1	1	1
24	FILTER DRIER ASSY	1173991	1	1	1	1	1	1	-
24	DRIER KIT FILTER O6CI 3/8 SW	1174010	-	-	-	-	-	-	1
26	DEFROST CONTROL BOARD	1173636	1	1	1	1	1	1	1
28	CAP FLARE	1172410	1	1	1	1	1	1	1
29	GROMMET ACCUMULATOR CUSHION	1172806	1	1	1	1	1	1	1
30	CLIP ACCUM	1173640	1	1	1	1	1	1	1
32	RACEWAY	1173642	1	1	-	-	-	-	-
32	RACEWAY	1171428	-	-	1	1	1	1	-
32	RACEWAY	1175919	-	-	-	-	-	-	1
33	LUG GROUND	1172300	1	1	1	1	1	1	1
34	HARNESS ASSY	1174744	1	1	1	1	1	1	1
35	HTR CC WP 40W240V TCH-245	1173944	-	-	-	-	-	1	1
36	SWITCH TEMP DISC O85 C65	1173669	-	-	-	-	-	1	1
A	TOP COVER ASY	1178601	1	1	-	-	-	-	-
A	TOP COVER ASY	1178643	-	-	1	1	1	1	-
A	TOP COVER ASY	1178565	-	-	-	-	-	-	1
B	NUT CAP HEX	1172740	4	4	4	4	4	4	4
C	GRILLE INLET	1178838	1	-	-	-	-	-	-
C	GRILLE INLET	1178657	-	1	-	-	-	-	-
C	GRILLE INLET	1178774	-	-	1	-	1	-	-

N4H3 PARTS LIST (continued)									
KEY NO.	DESCRIPTION	FAST PARTS NO.	N4H318GKE100	N4H324GKE100	N4H330GKE100	N4H336GKE100	N4H342GKE100	N4H348GKE100	N4H360GKB400
C	GRILLE INLET	1178651	-	-	-	1	-	-	-
C	GRILLE INLET	1178658	-	-	-	-	-	1	-
C	GRILLE INLET	1178803	-	-	-	-	-	-	1
D	BOX CONTROL	1173643	1	1	1	1	1	1	1
E	KIT CONTROL BOX COVER	1179841	1	-	-	-	-	-	-
E	KIT CONTROL BOX COVER	1179842	-	1	-	-	-	-	-
E	KIT CONTROL BOX COVER	1179843	-	-	1	-	-	-	-
E	KIT CONTROL BOX COVER	1179844	-	-	-	1	-	-	-
E	KIT CONTROL BOX COVER	1179845	-	-	-	-	1	-	-
E	KIT CONTROL BOX COVER	1179870	-	-	-	-	-	1	-
E	KIT CONTROL BOX COVER	1179006	-	-	-	-	-	-	1
F	SVCE PNL ASSY	1178325	-	-	-	-	-	1	-
F	SVCE PNL ASSY	1178324	1	-	1	-	1	-	1
F	SVCE PNL ASSY	1178528	-	1	-	1	-	-	-
G	BASE PAN ASY	1178653	1	1	-	-	-	-	-
G	BASE PAN ASY	1178308	-	-	1	1	1	1	-
G	BASE PAN ASY	1178309	-	-	-	-	-	-	1
L	GUARD FAN	1178640	1	1	-	-	-	-	-
L	GUARD FAN	1178644	-	-	1	1	1	1	-
L	GUARD FAN	1178604	-	-	-	-	-	-	1
N	SUPPORT COIL	1174068	3	3	5	5	5	5	5
P	CLAMP CAPACITOR ROUND 2.0"D	1172734	1	1	1	1	1	-	-
P	CLAMP CAPACITOR ROUND 2.5"D	1172735	-	-	-	-	-	1	1
Parts Not Shown									
)	PAINT TOUCH UP BALTIC GRY 1 PT	1178322	1	1	1	1	1	1	1
)	GROMMET	1171737	1	1	1	1	1	1	1
)	DRIER FILTER SUCT LINE 8.0 CI	1174194	1	1	1	1	-	-	-
)	DRIER FILTER SUCT LINE 15.0 CI	1174193	-	-	-	-	1	1	1
)	KIT ADAPTER ASSY	1174192	1	1	1	1	1	1	1
)	CAP SERVICE KIT 11/16-20	1175650	1	1	1	1	1	1	1
)	CAP SERVICE KIT 15/16-20	1175651	1	1	1	1	-	-	-
)	CAP SERVICE KIT 1-1/16-20	1175652	-	-	-	-	1	1	1
)	KIT PISTON TOOL BODY RESIZER	1175477	1	1	1	1	1	1	1
)	SCREW HEX HD 10AB X 3/8	1176782	14	14	14	14	14	14	14
)	SCREW HEX HEAD 12AB 5/8	1178281	4	4	4	4	4	4	4
)	SCREW HX HEAD 10AB 1/2	1178280	13	13	13	13	13	13	13

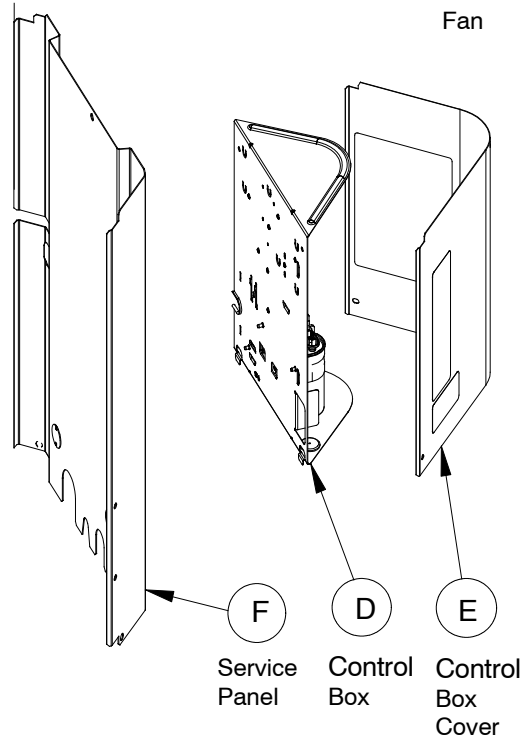
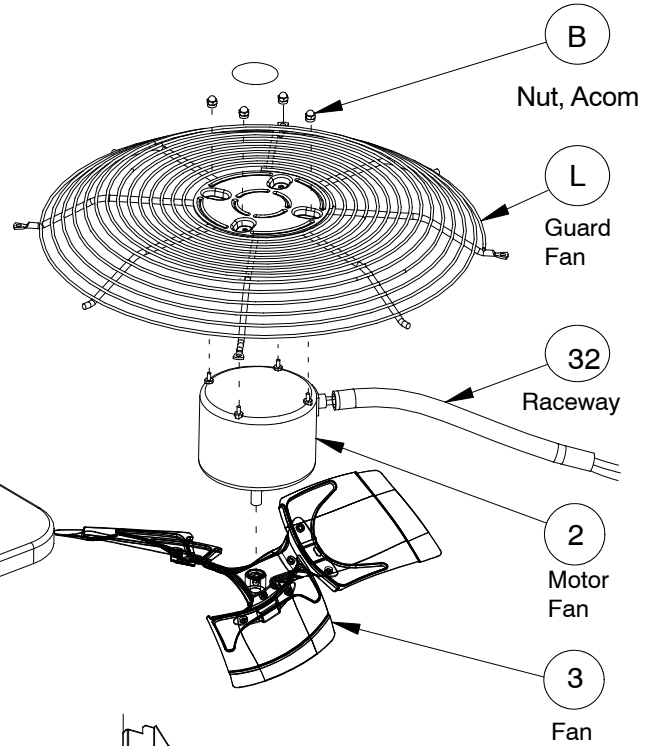
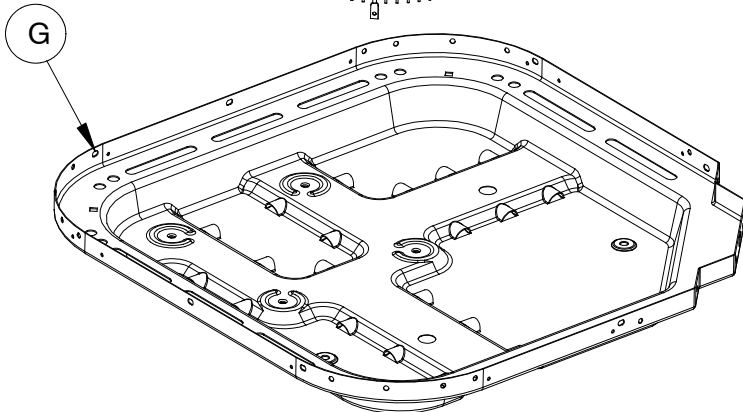
NOTE: This illustration is for reference only. Your unit may differ in appearance or may not include all components shown. Please refer to Parts List for exact parts listing.

Top, Cover



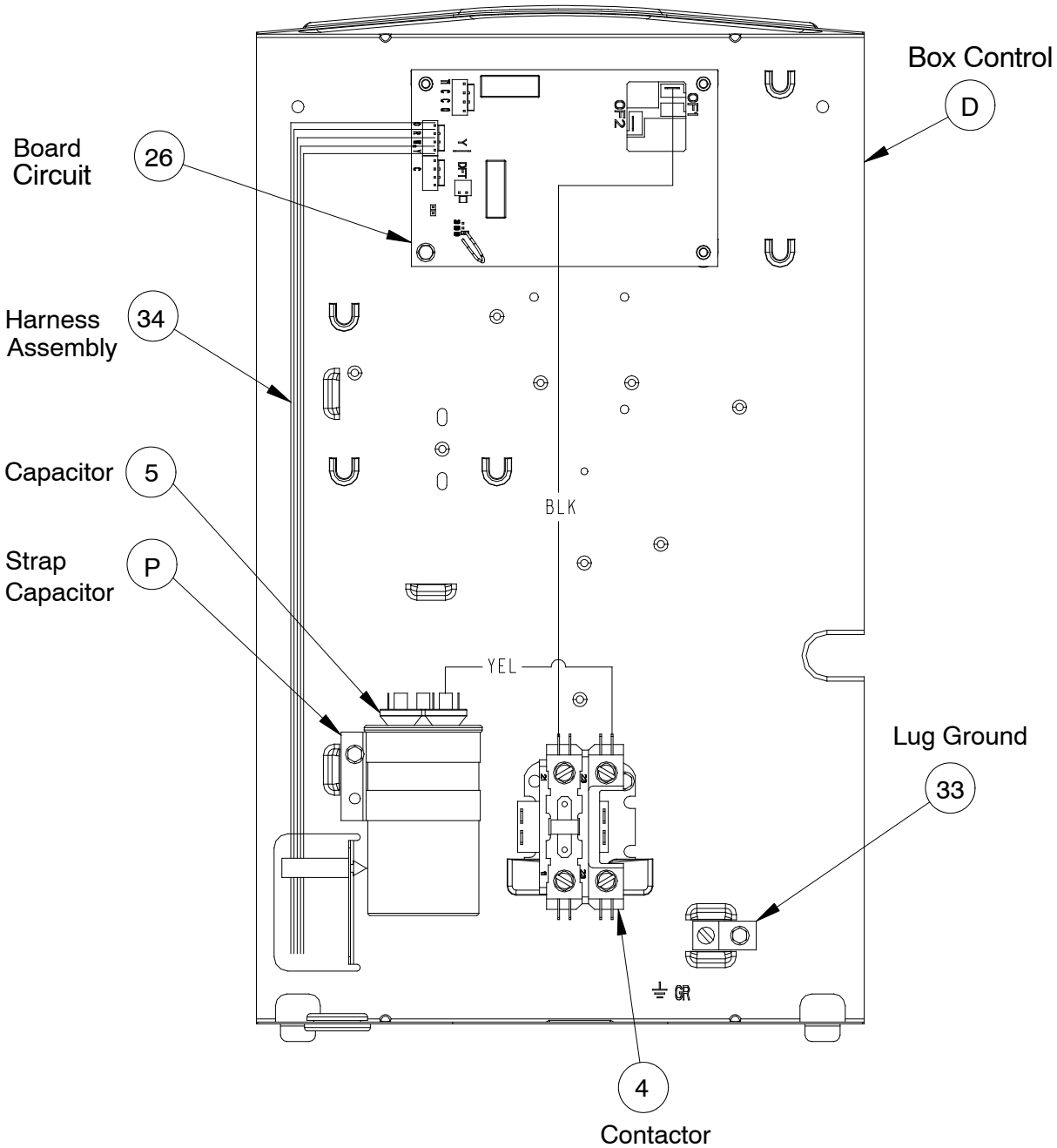
Grille, Inlet

Base, Pan

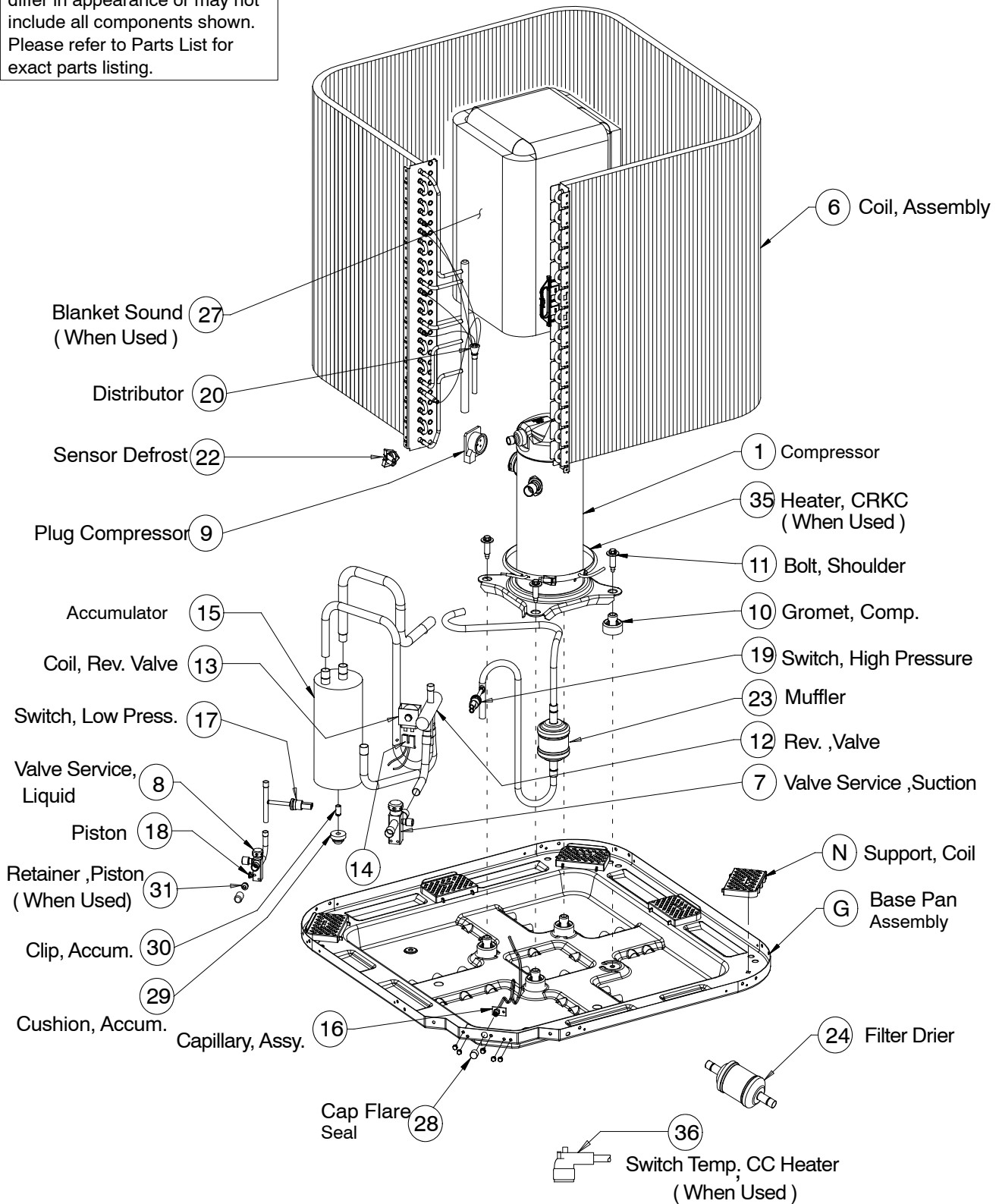


H/P CONTROL BOX, 208 / 230 VOLT, 1 PHASE

NOTE: This illustration is for reference only. Your unit may differ in appearance or may not include all components shown. Please refer to Parts List for exact parts listing.



NOTE: This illustration is for reference only. Your unit may differ in appearance or may not include all components shown. Please refer to Parts List for exact parts listing.



COOLING Multiplying Factors for other Indoor Combinations

N4H318

Indoor Model	Furnace Model	CAPACITY (MBh)	Power (AMPS)	Indoor Model	Furnace Model	CAPACITY (MBh)	Power (AMPS)
*FS(M,U)4P18**A*	-	1.00	1.00	EHD4X30A**	*9MV*1002120A**	1.03	0.93
EA*4X18*14A*	*8MX*0451408**	1.00	0.94	EMA4X24D**	-	1.00	1.00
EA*4X18*14A*	*8MV*0701412**	0.98	0.92	EN(A,D)4X18*14**	*8MX*0451408**	1.00	0.96
EA*4X24*14A*	*8MX*0451408**	1.02	0.94	EN(A,D)4X18*14**	*8MV*0701412**	0.99	0.95
EA*4X24*14A*	*8MV*0701412**	1.00	0.92	EN(A,D)4X18*14**	*9MV*0401410A**	0.99	0.96
EA*4X24*14A*	*9MX*0401410A**	1.00	0.96	EN(A,D)4X19*17**	*8MV*0901716**	1.00	0.96
EA*4X24*14A*	*9MV*0401410A**	1.01	0.98	EN(A,D)4X19*17**	*9MX*0401410A**	1.01	0.94
EA*4X24*17A*	*8MV*0901716**	1.01	0.92	EN(A,D)4X19*17**	*9MV*0401410A**	1.02	0.97
EA*4X24*17A*	*9MX*0401410A**	1.00	0.96	EN(A,D)4X19*17**	*9MV*0601714A**	1.03	0.95
EA*4X24*17A*	*9MV*0401410A**	1.01	0.97	EN(A,D)4X19*17**	*9MV*0801716A**	1.03	0.95
EA*4X24*17A*	*9MV*0601714A**	1.02	0.94	EN(A,D)4X19*17**	*9MA*0601714A**	1.01	0.93
EA*4X24*17A*	*9MV*0801716A**	1.03	0.95	EN(A,D)4X19*17**	*9MA*0801714A**	1.01	0.92
EA*4X24*17A*	*9MA*0601714A**	1.01	0.92	EN(A,D)4X19*17**	NOMV106D12*	1.00	0.96
EA*4X24*17A*	*9MA*0801714A**	1.00	0.92	EN(A,D)4X19*17**	OLV098A12A	1.03	0.95
ED*4X18B**	*8MX*0451408**	0.99	0.95	EN(A,D)4X19*17**	OMV098J12A	1.03	0.95
ED*4X18B**	*8MV*0701412**	0.98	0.93	EN(A,D)4X19*17**	-	1.00	1.00
ED*4X18B**	*8MPV050	1.00	0.96	EN(A,D)4X24*14**	*8MX*0451408**	1.00	0.96
ED*4X18B**	MV08B15**B*	0.99	0.95	EN(A,D)4X24*14**	*8MV*0701412**	1.00	0.96
ED*4X24B**	*8MX*0451408**	1.01	0.97	EN(A,D)4X24*14**	*9MX*0401410A**	1.00	0.96
ED*4X24B**	*8MV*0701412**	1.00	0.96	EN(A,D)4X24*14**	*9MV*0401410A**	1.01	0.97
ED*4X24B**	*9MX*0401410A**	1.00	0.96	EN(A,D)4X24*14**	-	1.00	1.00
ED*4X24B**	*9MV*0401410A**	1.01	0.98	EN(A,D)4X24*17**	*8MV*0901716**	1.00	0.96
ED*4X24B**	-	1.00	1.00	EN(A,D)4X24*17**	*9MX*0401410A**	1.00	0.96
ED*4X24B**	*8MPV050	1.01	0.93	EN(A,D)4X24*17**	*9MV*0401410A**	1.01	0.97
ED*4X24B**	MV08B15**B*	1.00	0.96	EN(A,D)4X24*17**	*9MV*0601714A**	1.02	0.95
ED*4X24F**	*8MV*0901716**	0.99	0.95	EN(A,D)4X24*17**	*9MV*0801716A**	1.02	0.94
ED*4X24F**	*9MV*0601714A**	1.02	0.94	EN(A,D)4X24*17**	*9MA*0601714A**	1.01	0.94
ED*4X24F**	*9MV*0801716A**	1.03	0.95	EN(A,D)4X24*17**	*9MA*0801714A**	1.00	0.92
ED*4X24F**	*9MV*1002120A**	1.03	0.93	EN(A,D)4X24*17**	NOMV106D12*	1.00	0.96
ED*4X24F**	*9MA*0601714A**	1.01	0.94	EN(A,D)4X24*17**	*9MVX040	1.03	0.95
ED*4X24F**	*9MA*0801714A**	1.00	0.94	EN(A,D)4X24*17**	OLV098A12A	1.02	0.94
ED*4X24F**	NOMV106D12*	1.00	0.96	EN(A,D)4X24*17**	OMV098J12A	1.03	0.95
ED*4X24F**	*9MVX040	1.03	0.97	EN(A,D)4X24*17**	-	1.00	1.00
ED*4X24F**	-	1.03	0.97	EN(A,D)4X24*17**	*9MPV050	1.03	0.95

COOLING Multiplying Factors for other Indoor Combinations

Indoor Model	Furnace Model	CAPACITY (MBh)	Power (AMPS)	Indoor Model	Furnace Model	CAPACITY (MBh)	Power (AMPS)
ED*4X24F**	*9MVX060	1.01	0.93	ENH4X24*17**	*8MX*0451408**	1.01	0.97
ED*4X24F**	*9MV*1002116A**	1.03	0.95	ENH4X24*17**	*8MV*0701412**	1.00	0.96
ED*4X24F**	OLV098A12A	1.02	0.94	ENH4X24*17**	*8MV*0901716**	1.00	0.96
ED*4X24F**	OMV098J12A	1.03	0.94	ENH4X24*17**	*9MX*0401410A**	1.00	0.96
ED*4X24F**	-	1.00	1.00	ENH4X24*17**	*9MV*0401410A**	1.01	0.97
ED*4X24F**	*9MPV050	1.01	0.93	ENH4X24*17**	*9MV*0601714A**	1.02	0.95
ED*4X24F**	*9MPV075	1.01	0.93	ENH4X24*17**	*9MV*0801716A**	1.02	0.94
ED*4X24F**	*9MAC0602120A**	1.01	0.93	ENH4X24*17**	*9MV*1202422A**	1.03	0.95
ED*4X30F**	*9MV*0802120A**	1.03	0.93	ENH4X24*17**	*9MA*0601714A**	1.01	0.94
ED*4X30F**	*9MV*1002120A**	1.03	0.93	ENH4X24*17**	*9MA*0801714A**	1.00	0.92
ED*4X30F**	*9MAC0602120A**	1.01	0.92	ENH4X24*17**	NOMV106D12*	1.00	0.96
EHD4X24A**	*9MX*0401410A**	1.00	0.96	ENH4X24*17**	*9MVX040	1.03	0.95
EHD4X24A**	*9MV*0401410A**	1.01	0.98	ENH4X24*17**	*9MV*1002116A**	1.03	0.94
EHD4X24A**	*9MV*0601714A**	1.01	0.94	ENH4X24*17**	OLV098A12A	1.02	0.94
EHD4X24A**	*9MV*0801716A**	1.02	0.94	ENH4X24*17**	OMV098J12A	1.03	0.95
EHD4X24A**	*9MV*0802120A**	1.03	0.93	ENH4X24*17**	-	1.00	1.00
EHD4X24A**	*9MV*1002120A**	1.03	0.93	ENH4X24*17**	*9MPV050	1.03	0.95
EHD4X24A**	*9MV*1202422A**	1.03	0.95	FEA4X18**A*	-	0.99	0.95
EHD4X24A**	*9MA*0601714A**	1.01	0.93	FEA4X24**A*	-	1.01	0.97
EHD4X24A**	*9MA*0801714A**	1.01	0.93	FEA4X30**A*	-	1.02	0.96
EHD4X24A**	*9MVX040	1.01	0.97	FEA4X36**A*	-	1.03	0.97
EHD4X24A**	*9MVX060	1.01	0.97	FEM4P18**A*	-	1.00	1.00
EHD4X24A**	*9MV*1002116A**	1.03	0.94	FEM4P18**A*	-	1.00	0.96
EHD4X24A**	OLV098A12A	1.03	0.94	FEM4P24**A*	-	0.99	0.99
EHD4X24A**	OMV098J12A	1.03	0.95	FEM4P24**A*	-	1.00	0.96
EHD4X24A**	-	1.00	1.00	FEM4X18****	-	1.01	0.97
EHD4X24A**	*8MPV050	1.01	0.97	FEM4X24****	-	1.01	0.97
EHD4X24A**	*9MPV050	1.01	0.97	FS(M,U)4P18**A*	-	1.00	1.00
EHD4X24A**	*9MPV075	1.01	0.97	FS(M,U)4P24**A*	-	0.99	0.99
EHD4X24A**	MV08B15**B*	1.01	0.97	FS(M,U)4P24**A*	-	1.00	1.00
EHD4X24A** ¹⁾	*8MX*0451408**	1.01	0.97	FS(M,U)4X18****	-	0.99	1.00
EHD4X24A** ¹⁾	*8MV*0701412**	1.00	0.96	FSA4X24**A*	-	0.99	0.99
EHD4X24A** ¹⁾	*8MV*0901716**	1.00	0.96	FVM4X24****	-	1.01	0.97
EHD4X24A** ¹⁾	NOMV106D12*	1.00	0.96	FXM4X18**A*	-	1.02	0.94
EHD4X30A**	*9MV*0802120A**	1.03	0.93	FXM4X24**A*	-	1.02	0.94

COOLING Multiplying Factors for other Indoor Combinations
COOLING Multiplying Factors for other Indoor Combinations

Indoor Model	Furnace Model	CAPACITY (MBh)	Power (AMPS)	Indoor Model	Furnace Model	CAPACITY (MBh)	Power (AMPS)
				FXM4X30**A*	-	1.03	0.97
N4H324							
*FS(M,U)4P24**A*	-	1.00	1.00	EHD4X30A**	*9MA*1002120A**	1.03	0.98
EA*4X24*14A*	*8MX*0451408**	1.02	0.99	EHD4X30A**	OLV098A12A	1.03	0.99
EA*4X24*14A*	*8MV*0701412**	1.01	0.96	EHD4X30A**	OMV098J12A	1.03	0.98
EA*4X24*14A*	*9MX*0401410A**	1.01	1.03	EHD4X30A**	*8MPV050	1.01	1.01
EA*4X24*17A*	*8MV*0901716**	1.01	0.96	EHD4X30A**	*8MPV075	1.01	0.96
EA*4X24*17A*	*9MX*0601714A**	1.01	0.97	EHD4X30A**	*8MPV100	1.01	0.96
EA*4X24*17A*	*9MV*0601714A**	1.01	0.97	EHD4X30A**	*8MPV125	1.01	0.96
EA*4X24*17A*	*9MV*0801716A**	1.02	0.98	EHD4X30A**	*9MPV050	1.01	0.96
EA*4X24*17A*	*9MA*0601714A**	1.00	0.96	EHD4X30A**	*9MPV075	1.01	1.01
EA*4X24*17A*	*9MA*0801714A**	1.00	0.96	EHD4X30A**	*9MPV100	1.01	0.96
EA*4X30*14A*	*8MX*0451408**	1.03	0.98	EHD4X30A**	*9MPV125	1.01	0.96
EA*4X30*14A*	*8MV*0701412**	1.01	0.96	EHD4X30A**	MV08B15**B*	1.01	0.96
EA*4X30*14A*	*9MX*0401410A**	1.02	1.04	EHD4X30A**	MV12F19**B*	1.01	0.96
EA*4X30*14A*	*9MV*0401410A**	1.01	1.01	EN(A,D)4X24*14**	*8MX*0451408**	0.99	0.99
EA*4X30*17A*	*8MV*0901716**	1.02	0.96	EN(A,D)4X24*14**	*8MV*0701412**	0.99	0.99
EA*4X30*17A*	*9MX*0601714A**	1.02	0.97	EN(A,D)4X24*14**	*9MX*0401410A**	1.01	1.03
EA*4X30*17A*	*9MA*0601714A**	1.01	0.97	EN(A,D)4X24*17**	*8MV*0901716**	0.99	0.99
EA*4X30*17A*	*9MA*0801714A**	1.00	0.96	EN(A,D)4X24*17**	*9MX*0601714A**	1.00	0.96
ED*4X24B**	*8MX*0451408**	1.00	1.00	EN(A,D)4X24*17**	*9MV*0601714A**	1.00	0.98
ED*4X24B**	*8MV*0701412**	0.99	0.99	EN(A,D)4X24*17**	*9MV*0801716A**	1.01	0.97
ED*4X24B**	*8MPV050	1.00	1.00	EN(A,D)4X24*17**	*9MA*0601714A**	1.00	0.96
ED*4X24B**	MV08B15**B*	1.00	0.96	EN(A,D)4X24*17**	*9MA*0801714A**	1.00	0.96
ED*4X24F**	*8MV*0901716**	0.99	0.95	EN(A,D)4X24*17**	NOMV106D12*	0.98	0.94
ED*4X24F**	*9MX*0601714A**	1.01	0.97	EN(A,D)4X24*17**	*9MVX040	1.01	1.01
ED*4X24F**	*9MV*0601714A**	1.01	0.97	EN(A,D)4X24*17**	OLV098A12A	1.02	0.97
ED*4X24F**	*9MV*0801716A**	1.02	0.98	EN(A,D)4X24*17**	OMV098J12A	1.02	1.02
ED*4X24F**	*9MV*0802120A**	1.02	0.97	EN(A,D)4X24*17**	*9MPV050	1.01	1.01
ED*4X24F**	*9MV*1002120A**	1.03	0.96	EN(A,D)4X30*14**	*8MX*0451408**	1.00	1.00
ED*4X24F**	*9MA*0601714A**	1.01	0.99	EN(A,D)4X30*14**	*8MV*0701412**	0.99	0.99
ED*4X24F**	*9MA*0801714A**	1.00	0.96	EN(A,D)4X30*14**	*9MX*0401410A**	1.02	1.04

COOLING Multiplying Factors for other Indoor Combinations

Indoor Model	Furnace Model	CAPACITY (MBh)	Power (AMPS)	Indoor Model	Furnace Model	CAPACITY (MBh)	Power (AMPS)
ED*4X24F**	*9MA*0802120A**	1.02	0.97	EN(A,D)4X30*14**	*9MV*0401410A**	1.01	1.01
ED*4X24F**	*9MA*1002122A**	1.03	0.96	EN(A,D)4X30*17**	*8MV*0901716**	1.00	0.96
ED*4X24F**	NOMV106D12*	0.99	0.95	EN(A,D)4X30*17**	*9MX*0601714A**	1.02	0.97
ED*4X24F**	*9MVX040	1.00	1.00	EN(A,D)4X30*17**	*9MV*0401410A**	1.01	1.01
ED*4X24F**	*9MVX060	1.00	1.00	EN(A,D)4X30*17**	*9MV*0601714A**	1.02	0.98
ED*4X24F**	*9MV*1002116A**	1.01	0.97	EN(A,D)4X30*17**	*9MV*0801716A**	1.03	0.99
ED*4X24F**	*9MA*1002120A**	1.02	0.98	EN(A,D)4X30*17**	*9MA*0601714A**	1.01	0.97
ED*4X24F**	OLV098A12A	1.02	0.97	EN(A,D)4X30*17**	*9MA*0801714A**	1.01	0.96
ED*4X24F**	OMV098J12A	1.02	0.97	EN(A,D)4X30*17**	NOMV106D12*	0.99	0.95
ED*4X24F**	*8MPV075	1.00	0.96	EN(A,D)4X30*17**	*9MVX040	1.03	0.98
ED*4X24F**	*9MPV050	1.00	0.96	EN(A,D)4X30*17**	*9MVX060	1.04	1.00
ED*4X24F**	*9MPV075	1.00	1.00	EN(A,D)4X30*17**	OLV098A12A	1.03	0.98
ED*4X24F**	MV12F19**B*	1.00	1.00	EN(A,D)4X30*17**	OMV098J12A	1.03	0.98
ED*4X24F**	*9MAC0602120A**	1.01	0.96	EN(A,D)4X30*17**	*9MPV050	1.03	0.98
ED*4X30B**	*8MX*0451408**	1.00	1.00	EN(A,D)4X30*17**	*9MPV075	1.03	0.99
ED*4X30B**	*8MV*0701412**	0.99	0.99	EN(A,D)4X31*17**	*8MV*0901716**	1.04	0.98
ED*4X30B**	*9MV*0401410A**	1.01	1.01	EN(A,D)4X31*17**	*9MX*0401410A**	1.04	1.04
ED*4X30B**	*8MPV050	1.01	1.01	EN(A,D)4X31*17**	*9MX*0601714A**	1.03	0.96
ED*4X30B**	MV08B15**B*	1.00	0.96	EN(A,D)4X31*17**	*9MV*0401410A**	1.03	1.03
ED*4X30F**	*8MV*0901716**	0.99	0.95	EN(A,D)4X31*17**	*9MV*0601714A**	1.04	1.00
ED*4X30F**	*9MX*0601714A**	1.03	0.99	EN(A,D)4X31*17**	*9MV*0801716A**	1.04	0.97
ED*4X30F**	*9MV*0601714A**	1.02	0.98	EN(A,D)4X31*17**	*9MA*0601714A**	1.03	0.98
ED*4X30F**	*9MV*0801716A**	1.03	0.99	EN(A,D)4X31*17**	*9MA*0801714A**	1.03	0.96
ED*4X30F**	*9MV*0802120A**	1.03	0.97	EN(A,D)4X31*17**	NOMV106D12*	1.04	0.98
ED*4X30F**	*9MV*1002120A**	1.03	0.97	ENH4X24*17**	*8MX*0451408**	0.99	0.95
ED*4X30F**	*9MA*0601714A**	1.02	0.98	ENH4X24*17**	*8MV*0701412**	0.98	0.94
ED*4X30F**	*9MA*0801714A**	1.01	0.97	ENH4X24*17**	*8MV*0901716**	0.99	0.95
ED*4X30F**	*9MA*0802120A**	1.03	0.96	ENH4X24*17**	*8MV*1102120**	0.99	0.95
ED*4X30F**	*9MA*1002122A**	1.03	0.96	ENH4X24*17**	*8MV*1352422**	0.99	0.95
ED*4X30F**	NOMV106D12*	0.99	0.95	ENH4X24*17**	*9MX*0601714A**	1.00	0.96
ED*4X30F**	*9MVX040	1.00	0.96	ENH4X24*17**	*9MV*0601714A**	1.00	0.98
ED*4X30F**	*9MVX060	1.01	0.96	ENH4X24*17**	*9MV*0801716A**	1.01	0.97
ED*4X30F**	*9MV*1002116A**	1.02	0.98	ENH4X24*17**	*9MV*1202422A**	1.01	0.97
ED*4X30F**	*9MA*1002120A**	1.03	0.99	ENH4X24*17**	*9MA*0601714A**	1.00	0.96
ED*4X30F**	OLV098A12A	1.03	0.98	ENH4X24*17**	*9MA*0801714A**	1.00	0.96

COOLING Multiplying Factors for other Indoor Combinations

Indoor Model	Furnace Model	CAPACITY (MBh)	Power (AMPS)	Indoor Model	Furnace Model	CAPACITY (MBh)	Power (AMPS)
ED*4X30F**	OMV098J12A	1.03	0.98	ENH4X24*17**	*9MA*1202422A**	1.01	0.97
ED*4X30F**	*8MPV075	1.01	0.96	ENH4X24*17**	NOMV106D12*	0.98	0.94
ED*4X30F**	*9MPV050	1.00	0.96	ENH4X24*17**	*9MVX040	1.01	1.01
ED*4X30F**	*9MPV075	1.01	0.96	ENH4X24*17**	*9MV*1002116A**	0.99	0.97
ED*4X30F**	MV12F19**B*	1.00	0.96	ENH4X24*17**	*9MA*1002120A**	1.01	0.97
ED*4X30F**	*9MAC0602120A**	1.02	0.97	ENH4X24*17**	OLV098A12A	1.02	0.97
EHD4X24A**	*9MX*0601714A**	1.01	0.97	ENH4X24*17**	OMV098J12A	1.02	1.02
EHD4X24A**	*9MV*0601714A**	1.01	0.99	ENH4X24*17**	*9MPV050	1.01	1.01
EHD4X24A**	*9MV*0801716A**	1.02	0.98	ENH4X30*17**	*8MX*0451408**	1.00	0.96
EHD4X24A**	*9MV*0802120A**	1.01	0.96	ENH4X30*17**	*8MV*0701412**	0.99	0.95
EHD4X24A**	*9MV*1002120A**	1.01	0.96	ENH4X30*17**	*8MV*0901716**	1.00	0.96
EHD4X24A**	*9MV*1202422A**	1.01	0.97	ENH4X30*17**	*8MV*1102120**	1.00	0.96
EHD4X24A**	*9MA*0601714A**	1.01	0.97	ENH4X30*17**	*8MV*1352422**	1.00	0.96
EHD4X24A**	*9MA*0801714A**	1.01	0.97	ENH4X30*17**	*9MX*0601714A**	1.02	0.97
EHD4X24A**	*9MA*1202422A**	1.02	0.98	ENH4X30*17**	*9MV*0401410A**	1.01	1.01
EHD4X24A**	*9MVX040	1.00	1.00	ENH4X30*17**	*9MV*0601714A**	1.02	0.98
EHD4X24A**	*9MVX060	1.00	1.00	ENH4X30*17**	*9MV*0801716A**	1.03	0.99
EHD4X24A**	*9MVX080	1.00	0.96	ENH4X30*17**	*9MV*1202422A**	1.03	0.99
EHD4X24A**	*9MVX100	1.00	0.96	ENH4X30*17**	*9MA*0601714A**	1.01	0.97
EHD4X24A**	*9MV*1002116A**	1.00	0.96	ENH4X30*17**	*9MA*0801714A**	1.01	0.96
EHD4X24A**	*9MA*1002120A**	1.03	0.99	ENH4X30*17**	*9MA*1202422A**	1.02	0.97
EHD4X24A**	OLV098A12A	1.03	0.98	ENH4X30*17**	NOMV106D12*	0.99	0.95
EHD4X24A**	OMV098J12A	1.03	0.98	ENH4X30*17**	*9MVX040	1.03	0.98
EHD4X24A**	*8MPV050	1.00	1.00	ENH4X30*17**	*9MVX060	1.04	1.00
EHD4X24A**	*8MPV075	1.00	0.96	ENH4X30*17**	*9MV*1002116A**	1.02	0.98
EHD4X24A**	*8MPV100	1.00	0.96	ENH4X30*17**	*9MA*1002120A**	1.02	0.97
EHD4X24A**	*8MPV125	1.00	0.96	ENH4X30*17**	OLV098A12A	1.03	0.98
EHD4X24A**	*9MPV050	1.00	0.96	ENH4X30*17**	OMV098J12A	1.03	0.98
EHD4X24A**	*9MPV075	1.00	1.00	ENH4X30*17**	*9MPV050	1.03	0.98
EHD4X24A**	*9MPV100	1.00	0.96	ENH4X30*17**	*9MPV075	1.03	0.99
EHD4X24A**	*9MPV125	1.00	0.96	ENH4X31*17**	*8MX*0451408**	1.04	0.98
EHD4X24A**	MV08B15**B*	1.00	0.96	ENH4X31*17**	*8MV*0701412**	1.04	0.98
EHD4X24A**	MV12F19**B*	1.00	0.96	ENH4X31*17**	*8MV*0901716**	1.04	0.98
EHD4X24A**	*8MX*0451408**	1.00	0.96	ENH4X31*17**	*8MV*1102120**	1.04	0.98
EHD4X24A**	*8MV*0701412**	0.99	0.95	ENH4X31*17**	*8MV*1352422**	1.04	0.98

COOLING Multiplying Factors for other Indoor Combinations

Indoor Model	Furnace Model	CAPACITY (MBh)	Power (AMPS)	Indoor Model	Furnace Model	CAPACITY (MBh)	Power (AMPS)
EHD4X24A**	*8MV*0901716**	1.00	0.96	ENH4X31*17**	*9MX*0401410A**	1.04	1.04
EHD4X24A**	*8MV*1102120**	1.00	0.96	ENH4X31*17**	*9MX*0601714A**	1.03	0.96
EHD4X24A**	*8MV*1352422**	1.00	0.96	ENH4X31*17**	*9MV*0401410A**	1.03	1.03
EHD4X24A**	NOMV106D12*	0.99	0.95	ENH4X31*17**	*9MV*0601714A**	1.04	1.00
EHD4X30A**	*8MX*0451408**	1.00	0.96	ENH4X31*17**	*9MV*0801716A**	1.04	0.97
EHD4X30A**	*8MV*0701412**	1.00	0.96	ENH4X31*17**	*9MV*1202422A**	1.04	0.97
EHD4X30A**	*8MV*0901716**	1.00	0.96	ENH4X31*17**	*9MA*0601714A**	1.03	0.98
EHD4X30A**	*8MV*1102120**	1.00	0.96	ENH4X31*17**	*9MA*0801714A**	1.03	0.96
EHD4X30A**	*8MV*1352422**	1.00	0.96	ENH4X31*17**	*9MA*1202422A**	1.03	0.96
EHD4X30A**	*9MX*0601714A**	1.02	0.97	ENH4X31*17**	NOMV106D12*	1.04	0.98
EHD4X30A**	*9MV*0401410A**	1.02	1.02	ENH4X31*17**	*9MV*1002116A**	1.04	0.97
EHD4X30A**	*9MV*0601714A**	1.02	0.98	ENH4X31*17**	*9MA*1002120A**	1.04	0.97
EHD4X30A**	*9MV*0801716A**	1.03	0.99	FEA4X24**A*	-	1.00	1.00
EHD4X30A**	*9MV*0802120A**	1.03	0.96	FEA4X30**A*	-	1.00	0.96
EHD4X30A**	*9MV*1002120A**	1.03	0.97	FEA4X36**A*	-	1.04	1.02
EHD4X30A**	*9MV*1202422A**	1.03	0.98	FEM4P24**A*	-	1.00	1.00
EHD4X30A**	*9MA*0601714A**	1.02	0.98	FEM4P24**A*	-	1.00	1.00
EHD4X30A**	*9MA*0801714A**	1.01	0.96	FEM4P30**A*	-	1.00	1.00
EHD4X30A**	*9MA*1202422A**	1.03	0.98	FEM4P30**A*	-	1.00	1.00
EHD4X30A**	NOMV106D12*	0.99	0.95	FEM4X24****	-	0.99	0.99
EHD4X30A**	*9MVX040	1.01	0.96	FEM4X30****	-	1.01	0.96
EHD4X30A**	*9MVX060	1.01	0.96	FS(M,U)4P24**A*	-	1.00	1.00
EHD4X30A**	*9MVX080	1.01	0.96	FS(M,U)4P30**A*	-	0.99	0.99
EHD4X30A**	*9MVX100	1.01	0.96	FVM4X24****	-	1.00	0.96
EHD4X30A**	*9MV*1002116A**	1.02	0.98	FVM4X36****	-	1.03	0.97
				FXM4X24**A*	-	1.01	0.96
				FXM4X30**A*	-	1.01	0.96
				FXM4X36**A*	-	1.01	0.92

COOLING Multiplying Factors for other Indoor Combinations

Indoor Model	Furnace Model	CAPACITY (MBh)	Power (AMPS)	Indoor Model	Furnace Model	CAPACITY (MBh)	Power (AMPS)
N4H330							
*FS(M,U)4P30**A*	-	1.00	1.00	EHD4X36A**	*9MA*1002120A**	1.00	0.96
EA*4X30*14A*	*8MV*0701412**	1.00	0.98	EHD4X36A**	OLV098A12A	1.00	1.00
EA*4X30*17A*	*8MX*0701716**	1.00	0.98	EHD4X36A**	OLV112A16A	1.00	0.96

COOLING Multiplying Factors for other Indoor Combinations

Indoor Model	Furnace Model	Indoor Model	Power (AMPS)	CAPACITY (MBh)	Indoor Model	Furnace Model	Power (AMPS)	CAPACITY (MBh)	Power (AMPS)
EA*4X30*17A*	*8MV*0901716**	EHD4X36A**	0.96	1.00	EHD4X36A**	OMV098J12A	0.96	1.00	1.00
EA*4X30*17A*	*9MX*0601714A**	EHD4X36A**	1.00	1.00	EHD4X36A**	OMV112K14A	1.00	1.00	0.96
EA*4X30*17A*	*9MX*0801716A**	EHD4X36A**	1.00	1.00	EHD4X36A**	*8MPV050	1.00	1.00	1.00
EA*4X36*14A*	*8MV*0701412**	EHD4X36A**	0.98	1.00	EHD4X36A**	*8MPV075	0.98	1.00	0.96
EA*4X36*17A*	*8MX*0701716**	EHD4X36A**	0.98	1.00	EHD4X36A**	*8MPV100	0.98	1.00	0.96
EA*4X36*17A*	*8MV*0901716**	EHD4X36A**	0.96	1.00	EHD4X36A**	*8MPV125	0.96	1.00	0.96
EA*4X36*17A*	*9MX*0601714A**	EHD4X36A**	1.00	1.00	EHD4X36A**	*9MPV050	1.00	1.00	1.00
EA*4X36*17A*	*9MX*0801716A**	EHD4X36A**	1.00	1.00	EHD4X36A**	*9MPV075	1.00	1.00	1.00
EA*4X36*17A*	*9MV*0801716A**	EHD4X36A**	1.00	1.00	EHD4X36A**	*9MPV100	1.00	1.00	0.96
EA*4X36*17A*	*9MA*0801714A**	EHD4X36A**	0.98	1.00	EHD4X36A**	*9MPV125	0.98	1.00	0.96
EA*4X36*21A*	*8MX*0902116**	EHD4X36A**	0.96	1.00	EHD4X36A**	MV08B15**B*	0.96	1.00	0.96
EA*4X36*21A*	*8MV*1102120**	EHD4X36A**	0.96	1.00	EHD4X36A**	MV12F19**B*	0.96	1.00	0.96
EA*4X36*21A*	*9MX*0601714A**	EN(A,D)4X30*14**	1.00	1.00	EN(A,D)4X30*14**	*8MV*0701412**	1.00	1.00	1.00
EA*4X36*21A*	*9MX*0801716A**	EN(A,D)4X30*17**	0.98	1.00	EN(A,D)4X30*17**	*8MX*0701716**	1.00	1.00	1.00
EA*4X36*21A*	*9MV*0601714A**	EN(A,D)4X30*17**	1.00	1.00	EN(A,D)4X30*17**	*8MV*0901716**	1.00	1.00	0.96
EA*4X36*21A*	*9MV*0801716A**	EN(A,D)4X30*17**	0.98	1.00	EN(A,D)4X30*17**	*9MX*0601714A**	1.00	1.00	1.00
EA*4X36*21A*	*9MV*0802120A**	EN(A,D)4X30*17**	0.96	1.00	EN(A,D)4X30*17**	*9MX*0801716A**	1.00	1.00	1.00
EA*4X36*21A*	*9MV*1002120A**	EN(A,D)4X30*17**	0.96	1.00	EN(A,D)4X30*17**	*9MA*0801714A**	1.00	1.00	1.00
EA*4X36*21A*	*9MA*0801714A**	EN(A,D)4X30*17**	0.98	1.00	EN(A,D)4X30*17**	*9MVX060	1.00	1.00	1.00
EA*4X36*21A*	*9MV*1002116A**	EN(A,D)4X30*17**	0.98	1.00	EN(A,D)4X30*17**	OLV098A12A	1.00	1.00	1.00
ED*4X30B**	*8MV*0701412**	EN(A,D)4X30*17**	1.00	1.00	EN(A,D)4X30*17**	OMV098J12A	1.00	1.00	1.00
ED*4X30B**	MV08B15**B*	EN(A,D)4X30*17**	0.96	1.00	EN(A,D)4X30*17**	OMV112K14A	1.00	1.00	1.00
ED*4X30F**	*8MX*0701716**	EN(A,D)4X31*17**	1.00	1.00	EN(A,D)4X31*17**	*9MPV075	1.00	1.00	1.00
ED*4X30F**	*8MV*0901716**	EN(A,D)4X31*17**	0.96	1.00	EN(A,D)4X31*17**	*8MX*0701716**	1.00	1.00	0.97
ED*4X30F**	*9MX*0601714A**	EN(A,D)4X31*17**	1.00	1.00	EN(A,D)4X31*17**	*8MV*0901716**	1.00	1.00	0.94
ED*4X30F**	*9MX*0801716A**	EN(A,D)4X31*17**	1.00	1.00	EN(A,D)4X31*17**	*9MX*0601714A**	1.00	1.00	0.98
ED*4X30F**	*9MV*0801716A**	EN(A,D)4X31*17**	1.00	1.00	EN(A,D)4X31*17**	*9MX*0801716A**	1.00	1.00	0.98
ED*4X30F**	*9MV*0802120A**	EN(A,D)4X31*17**	0.97	1.00	EN(A,D)4X31*17**	*9MV*0601714A**	1.00	1.00	0.98
ED*4X30F**	*9MA*0802120A**	EN(A,D)4X31*17**	0.97	1.00	EN(A,D)4X31*17**	*9MV*0801716A**	1.00	1.00	0.96
ED*4X30F**	*9MA*1002122A**	EN(A,D)4X31*17**	0.96	1.00	EN(A,D)4X31*17**	*9MA*0601714A**	1.00	1.00	0.98
ED*4X30F**	*9MVX040	EN(A,D)4X31*17**	1.00	1.00	EN(A,D)4X31*17**	*9MA*0801714A**	1.00	1.00	0.96
ED*4X30F**	*9MVX060	EN(A,D)4X31*17**	1.00	1.00	EN(A,D)4X31*17**	NOMV106D12*	1.00	1.00	0.96
ED*4X30F**	*9MA*1002120A**	EN(A,D)4X31*17**	1.00	1.00	EN(A,D)4X31*17**	*9MVX040	1.00	1.00	0.98
ED*4X30F**	OLV098A12A	EN(A,D)4X31*17**	1.00	1.00	EN(A,D)4X31*17**	*9MVX060	1.00	1.00	0.97
ED*4X30F**	OLV112A16A	EN(A,D)4X31*17**	1.00	1.00	EN(A,D)4X31*17**	*9MPV050	1.00	1.00	0.98

COOLING Multiplying Factors for other Indoor Combinations

Indoor Model	Furnace Model	CAPACITY (MBh)	Power (AMPS)	Indoor Model	Furnace Model	CAPACITY (MBh)	Power (AMPS)
ED*4X30F**	OMV098J12A	1.00	1.00	EN(A,D)4X31*17**	*9MPV075	1.00	0.97
ED*4X30F**	OMV112K14A	1.00	1.00	EN(A,D)4X36*21**	*8MX*0902116**	1.00	1.00
ED*4X30F**	*8MPV075	1.00	1.00	EN(A,D)4X36*21**	*8MV*1102120**	1.00	0.96
ED*4X30F**	*9MPV050	1.00	1.00	EN(A,D)4X36*21**	*9MX*0601714A**	1.00	1.00
ED*4X30F**	*9MPV075	1.00	1.00	EN(A,D)4X36*21**	*9MX*0801716A**	1.00	1.00
ED*4X30F**	MV12F19**B*	1.00	0.96	EN(A,D)4X36*21**	*9MV*0802120A**	1.00	0.97
ED*4X36B**	*8MV*0701412**	1.00	1.00	EN(A,D)4X36*21**	*9MA*0801714A**	1.00	1.00
ED*4X36B**	MV08B15**B*	1.00	0.96	EN(A,D)4X36*21**	*9MVX040	1.00	1.00
ED*4X36F**	*8MX*0701716**	1.00	1.00	EN(A,D)4X36*21**	*9MVX060	1.00	1.00
ED*4X36F**	*8MV*0901716**	1.00	0.96	EN(A,D)4X36*21**	*9MVX080	1.00	1.00
ED*4X36F**	*9MX*0601714A**	1.00	1.00	EN(A,D)4X36*21**	*9MA*1002120A**	1.00	1.00
ED*4X36F**	*9MX*0601714A**	1.00	1.00	EN(A,D)4X36*21**	OLV098A12A	1.00	1.00
ED*4X36F**	*9MX*0801716A**	1.00	1.00	EN(A,D)4X36*21**	OLV112A16A	1.00	1.00
ED*4X36F**	*9MX*0801716A**	1.00	1.00	EN(A,D)4X36*21**	OMV098J12A	1.00	1.00
ED*4X36F**	*9MV*0801716A**	1.00	1.00	EN(A,D)4X36*21**	OMV112K14A	1.00	1.00
ED*4X36F**	*9MV*0802120A**	1.00	0.96	EN(A,D)4X36*21**	*9MPV075	1.00	1.00
ED*4X36F**	*9MA*0801714A**	1.00	1.00	EN(A,D)4X36*21**	*9MPV100	1.00	1.00
ED*4X36F**	*9MA*0801714A**	1.00	0.98	EN(A,D)4X37*17**	*8MX*0701716**	1.00	0.96
ED*4X36F**	*9MA*0802120A**	1.00	0.97	EN(A,D)4X37*17**	*8MV*0901716**	1.00	0.94
ED*4X36F**	*9MA*1002122A**	1.00	0.96	EN(A,D)4X37*17**	*9MX*0601714A**	1.00	0.96
ED*4X36F**	NOMV106D12*	0.99	0.99	EN(A,D)4X37*17**	*9MX*0801716A**	1.00	0.96
ED*4X36F**	*9MVX040	1.00	1.00	EN(A,D)4X37*17**	*9MV*0601714A**	1.00	0.96
ED*4X36F**	*9MVX060	1.00	1.00	EN(A,D)4X37*17**	*9MV*0801716A**	1.00	0.96
ED*4X36F**	*9MV*1002116A**	1.00	0.98	EN(A,D)4X37*17**	*9MA*0601714A**	1.00	0.96
ED*4X36F**	*9MA*1002120A**	1.00	1.00	EN(A,D)4X37*17**	*9MA*0801714A**	1.00	0.96
ED*4X36F**	*9MA*1002120A**	1.00	0.98	EN(A,D)4X37*17**	NOMV106D12*	1.00	0.94
ED*4X36F**	OLV098A12A	1.00	1.00	EN(A,D,W)4X36*17**	*8MX*0701716**	1.00	1.00
ED*4X36F**	OLV112A16A	1.00	1.00	EN(A,D,W)4X36*17**	*8MV*0901716**	1.00	0.96
ED*4X36F**	OMV098J12A	1.00	1.00	EN(A,D,W)4X36*17**	*9MX*0601714A**	1.00	1.00
ED*4X36F**	OMV112K14A	1.00	1.00	EN(A,D,W)4X36*17**	*9MX*0801716A**	1.00	1.00
ED*4X36F**	*8MPV075	1.00	1.00	EN(A,D,W)4X36*17**	*9MA*0801714A**	1.00	1.00
ED*4X36F**	*9MPV050	1.00	1.00	EN(A,D,W)4X36*17**	*9MVX060	1.00	1.00
ED*4X36F**	*9MPV075	1.00	1.00	EN(A,D,W)4X36*17**	OLV098A12A	1.00	1.00
ED*4X36F**	MV12F19**B*	1.00	0.96	EN(A,D,W)4X36*17**	OMV098J12A	1.00	1.00
ED*4X36F**	*9MAC0602120A**	1.00	0.97	EN(A,D,W)4X36*17**	OMV112K14A	1.00	1.00

COOLING Multiplying Factors for other Indoor Combinations

Indoor Model	Furnace Model	CAPACITY (MBh)	Power (AMPS)	Indoor Model	Furnace Model	CAPACITY (MBh)	Power (AMPS)
ED*4X36J**	*8MX*0902116**	1.00	0.96	EN(A,D,W)4X36*17**	*9MPV075	1.00	1.00
ED*4X36J**	*8MV*1102120**	1.00	0.96	ENH4X30*17**	*8MX*0701716**	1.00	1.00
ED*4X36J**	*9MV*0802120A**	1.00	0.96	ENH4X30*17**	*8MX*0902116**	1.00	0.96
ED*4X36J**	*9MV*1002120A**	1.00	0.96	ENH4X30*17**	*8MV*0701412**	1.00	1.00
ED*4X36J**	*9MV*1202422A**	1.00	0.96	ENH4X30*17**	*8MV*0901716**	1.00	0.96
ED*4X36J**	*9MA*0802120A**	1.00	0.96	ENH4X30*17**	*8MV*1102120**	1.00	0.96
ED*4X36J**	*9MA*1002122A**	1.00	0.96	ENH4X30*17**	*8MV*1352422**	1.00	0.96
ED*4X36J**	*9MA*1202422A**	1.00	0.96	ENH4X30*17**	*9MX*0601714A**	1.00	1.00
ED*4X36J**	*9MVX080	1.00	0.96	ENH4X30*17**	*9MX*0801716A**	1.00	1.00
ED*4X36J**	*9MV*1002116A**	1.00	0.98	ENH4X30*17**	*9MV*1202422A**	1.00	0.98
ED*4X36J**	*9MA*1002120A**	1.00	0.98	ENH4X30*17**	*9MA*0801714A**	1.00	1.00
ED*4X36J**	OLV112A16A	1.00	1.00	ENH4X30*17**	*9MA*1202422A**	1.00	0.98
ED*4X36J**	*8MPV100	1.00	0.96	ENH4X30*17**	*9MVX060	1.00	1.00
ED*4X36J**	*8MPV125	1.00	0.96	ENH4X30*17**	*9MA*1002120A**	1.00	1.00
ED*4X36J**	*9MPV100	1.00	0.96	ENH4X30*17**	OLV098A12A	1.00	1.00
ED*4X36J**	*9MAC0602120A**	1.00	0.97	ENH4X30*17**	OLV112A16A	1.00	1.00
EHD4X30A**	*8MX*0701716**	1.00	1.00	ENH4X30*17**	OMV098J12A	1.00	1.00
EHD4X30A**	*8MX*0902116**	1.00	0.96	ENH4X30*17**	OMV112K14A	1.00	1.00
EHD4X30A**	*8MV*0701412**	1.00	1.00	ENH4X30*17**	*9MPV075	1.00	1.00
EHD4X30A**	*8MV*0901716**	1.00	0.96	ENH4X31*17**	*8MX*0701716**	1.00	0.97
EHD4X30A**	*8MV*1102120**	1.00	0.96	ENH4X31*17**	*8MX*0902116**	1.00	0.96
EHD4X30A**	*8MV*1352422**	1.00	0.96	ENH4X31*17**	*8MV*0701412**	1.00	0.96
EHD4X30A**	*9MX*0601714A**	1.00	1.00	ENH4X31*17**	*8MV*0901716**	1.00	0.94
EHD4X30A**	*9MX*0801716A**	1.00	1.00	ENH4X31*17**	*8MV*1102120**	1.00	0.96
EHD4X30A**	*9MV*0601714A**	1.00	1.00	ENH4X31*17**	*8MV*1352422**	1.00	0.94
EHD4X30A**	*9MV*0801716A**	1.00	1.00	ENH4X31*17**	*9MX*0601714A**	1.00	0.98
EHD4X30A**	*9MA*1202422A**	1.00	0.97	ENH4X31*17**	*9MX*0801716A**	1.00	0.96
EHD4X30A**	*9MA*0601714A**	1.00	0.98	ENH4X31*17**	*9MV*0601714A**	1.00	0.98
EHD4X30A**	*9MA*0801714A**	1.00	1.00	ENH4X31*17**	*9MV*0801716A**	1.00	0.96
EHD4X30A**	*9MA*1202422A**	1.00	0.98	ENH4X31*17**	*9MV*1202422A**	1.00	0.96
EHD4X30A**	*9MVX040	1.00	1.00	ENH4X31*17**	*9MV*1202422A**	1.00	0.96
EHD4X30A**	*9MVX060	1.00	1.00	ENH4X31*17**	*9MA*0601714A**	1.00	0.98
EHD4X30A**	*9MVX080	1.00	1.00	ENH4X31*17**	*9MA*0801714A**	1.00	0.96
EHD4X30A**	*9MVX100	1.00	1.00	ENH4X31*17**	*9MA*1202422A**	1.00	0.96
EHD4X30A**		1.00	1.00	ENH4X31*17**	NOMV106D12*	1.00	0.96
EHD4X30A**		1.00	1.00	ENH4X31*17**	*9MVX040	1.00	0.98

COOLING Multiplying Factors for other Indoor Combinations

Indoor Model	Furnace Model	CAPACITY (MBh)	Power (AMPS)	Indoor Model	Furnace Model	CAPACITY (MBh)	Power (AMPS)
EHD4X30A**	*9MV*1002116A**	1.00	1.00	ENH4X31*17**	*9MVX060	1.00	0.97
EHD4X30A**	*9MA*1002120A**	1.00	1.00	ENH4X31*17**	*9MV*1002116A**	1.00	0.96
EHD4X30A**	OLV098A12A	1.00	1.00	ENH4X31*17**	*9MA*1002120A**	1.00	0.96
EHD4X30A**	OLV112A16A	1.00	1.00	ENH4X31*17**	*9MPV050	1.00	0.98
EHD4X30A**	OMV098J12A	1.00	1.00	ENH4X31*17**	*9MPV075	1.00	0.97
EHD4X30A**	OMV112K14A	1.00	1.00	ENH4X36*17**	*8MX*0701716**	1.00	1.00
EHD4X30A**	*8MPV050	1.00	1.00	ENH4X36*17**	*8MX*0902116**	1.00	1.00
EHD4X30A**	*8MPV075	1.00	1.00	ENH4X36*17**	*8MV*0701412**	1.00	1.00
EHD4X30A**	*8MPV100	1.00	1.00	ENH4X36*17**	*8MV*0901716**	1.00	0.96
EHD4X30A**	*8MPV125	1.00	0.96	ENH4X36*17**	*8MV*1102120**	1.00	0.96
EHD4X30A**	*9MPV050	1.00	1.00	ENH4X36*17**	*8MV*1352422**	1.00	0.96
EHD4X30A**	*9MPV075	1.00	1.00	ENH4X36*17**	*9MX*0601714A**	1.00	1.00
EHD4X30A**	*9MPV100	1.00	1.00	ENH4X36*17**	*9MX*0801716A**	1.00	1.00
EHD4X30A**	*9MPV125	1.00	1.00	ENH4X36*17**	*9MV*1202422A**	1.00	0.98
EHD4X30A**	MV08B15**B*	1.00	0.96	ENH4X36*17**	*9MA*0801714A**	1.00	1.00
EHD4X30A**	MV12F19**B*	1.00	0.96	ENH4X36*17**	*9MA*1202422A**	1.00	0.98
EHD4X36A**	*8MX*0701716**	1.00	0.96	ENH4X36*17**	*9MVX060	1.00	1.00
EHD4X36A**	*8MX*0902116**	1.00	0.96	ENH4X36*17**	*9MVX080	1.00	1.00
EHD4X36A**	*8MV*0701412**	1.00	0.96	ENH4X36*17**	*9MA*1002120A**	1.00	1.00
EHD4X36A**	*8MV*0901716**	1.00	0.96	ENH4X36*17**	OLV098A12A	1.00	1.00
EHD4X36A**	*8MV*1102120**	1.00	0.96	ENH4X36*17**	OLV112A16A	1.00	1.00
EHD4X36A**	*8MV*1352422**	1.00	0.96	ENH4X36*17**	OMV098J12A	1.00	1.00
EHD4X36A**	*9MX*0601714A**	1.00	0.98	ENH4X36*17**	OMV112K14A	1.00	1.00
EHD4X36A**	*9MX*0801716A**	1.00	0.98	ENH4X36*17**	*9MPV075	1.00	1.00
EHD4X36A**	*9MV*0601714A**	1.00	0.98	ENH4X36*17**	*9MPV100	1.00	1.00
EHD4X36A**	*9MV*0801716A**	1.00	0.98	FEA4X30**A*	-	1.00	1.00
EHD4X36A**	*9MV*0802120A**	1.00	0.94	FEA4X36**A*	-	1.00	1.00
EHD4X36A**	*9MV*1002120A**	1.00	0.96	FEM4P30**A*	-	1.00	1.00
EHD4X36A**	*9MV*1202422A**	1.00	0.96	FEM4P30**A*	-	1.00	1.00
EHD4X36A**	*9MA*0601714A**	1.00	0.98	FEM4P36**A*	-	1.00	1.00
EHD4X36A**	*9MA*0801714A**	1.00	0.96	FEM4P36**A*	-	1.00	1.00
EHD4X36A**	*9MA*1202422A**	1.00	0.96	FEM4X30****	-	1.00	1.00
EHD4X36A**	NOMV106D12*	1.00	0.96	FEM4X36****	-	1.00	1.00
EHD4X36A**	*9MVX040	1.00	1.00	FS(M,U)P30**A*	-	1.00	1.00
EHD4X36A**	*9MVX060	1.00	1.00	FVM4X24****	-	1.00	0.96

COOLING Multiplying Factors for other Indoor Combinations

Indoor Model	Furnace Model	CAPACITY (MBh)	Power (AMPS)	Indoor Model	Furnace Model	CAPACITY (MBh)	Power (AMPS)
EHD4X36A**	*9MVX080	1.00	0.96	FVM4X36***	-	1.00	0.96
EHD4X36A**	*9MVX100	1.00	0.96	FVM4X48***	-	1.00	0.96
EHD4X36A**	*9MV*1002116A**	1.00	0.96	FXM4X30**A*	-	1.00	0.96
				FXM4X36**A*	-	1.00	0.92
COOLING Multiplying Factors for other Indoor Combinations							
N4H336							
*FS(M,U)4P36**A*	-	1.00	1.00	EHD4X36A**	MV16J22**B*	0.99	0.91
EA*4X36*14A*	*8MV*0701412**	1.01	0.97	ENH4X42*21**	NOMV156E19*	1.00	0.96
EA*4X36*14A*	*8MX*0451408**	1.01	0.99	EHD4X36A**	*9MPV050	0.99	0.99
EA*4X36*17A*	*8MV*0901716**	1.02	0.96	EHD4X36A**	*8MPV075	0.99	0.95
EA*4X36*17A*	*8MX*0701716**	1.01	0.98	ENH4X36*17**	*9MPV050	1.01	1.01
EA*4X36*17A*	*9MA*0601714A**	1.00	0.96	ED*4X36J**	*9MV*1002116A**	1.02	0.98
EA*4X36*17A*	*9MA*0801714A**	1.01	0.96	EN(A,D)4X36*21**	*9MVX040	1.01	1.01
EA*4X36*17A*	*9MV*0601714A**	1.01	0.99	EN(A,D,W)4X42*21**	*9MVX080	1.04	1.00
EA*4X36*17A*	*9MV*0801716A**	1.02	0.98	END4X42*17**	OLV098A12A	1.02	1.02
EA*4X36*17A*	*9MX*0601714A**	1.01	0.98	ED*4X42F**	OMV098J12A	1.02	1.02
EA*4X36*17A*	*9MX*0801716A**	1.01	0.97	EN(A,D)4X37*17**	OMV112K14A	1.05	0.97
EA*4X36*21A*	*8MV*1102120**	1.02	0.96	EA*4X36*21A*	*9MA*1002120A**	1.01	0.94
EA*4X36*21A*	*8MX*0902116**	1.03	0.97	EN(A,D,W)4X42*21**	*9MPV075	1.02	1.02
EA*4X36*21A*	*8MX*1102120**	1.03	0.94	EN(A,D,W)4X42*21**	*9MPV100	1.04	0.99
EA*4X36*21A*	*9MA*0601714A**	1.00	0.96	ED*4X42F**	*9MV*1002116A**	1.02	0.98
EA*4X36*21A*	*9MA*0801714A**	1.01	0.94	EN(A,D)4X37*17**	*9MVX040	1.05	1.05
EA*4X36*21A*	*9MV*0601714A**	1.01	0.98	ENH4X42*21**	*9MVX080	1.04	1.00
EA*4X36*21A*	*9MV*0801716A**	1.02	0.98	ENH4X36*17**	OLV098A12A	1.01	1.01
EA*4X36*21A*	*9MX*0601714A**	1.02	0.98	EHD4X36A**	OMV098J12A	1.04	0.99
EA*4X36*21A*	*9MX*0801716A**	1.01	0.97	EN(A,D,W)4X36*17**	OMV112K14A	1.01	0.97
EA*4X42*21A*	*8MV*1102120**	1.02	0.96	EA*4X42*21A*	*9MA*1002120A**	1.02	0.95
EA*4X42*21A*	*8MX*0902116**	1.04	0.95	END4X42*17**	*9MPV075	1.03	1.03
EA*4X42*21A*	*8MX*1102120**	1.04	0.95	ENH4X42*21**	*9MPV100	1.04	0.99
EA*4X42*21A*	*9MA*0601714A**	1.01	0.97	ED*4X42J**	*9MV*1002116A**	1.03	0.98
EA*4X42*21A*	*9MA*0801714A**	1.01	0.94	EN(A,D,W)4X36*17**	*9MVX040	1.01	1.01
EA*4X42*21A*	*9MV*0601714A**	1.02	0.99	ENH4X43*21**	*9MVX080	1.06	0.97
EA*4X42*21A*	*9MV*0801716A**	1.02	0.98	ENH4X42*21**	OLV098A12A	1.02	1.02

COOLING Multiplying Factors for other Indoor Combinations

Indoor Model	Furnace Model	CAPACITY (MBh)	Power (AMPS)	Indoor Model	Furnace Model	CAPACITY (MBh)	Power (AMPS)
EA*4X42*21A*	*9MX*0601714A**	1.02	0.99	EHD4X42A**	OMV098J12A	1.04	1.00
EA*4X42*21A*	*9MX*0801716A**	1.02	0.95	EN(A,D,W)4X42*21**	OMV112K14A	1.02	0.98
EA*4X42*24A*	*8MV*1352422**	1.02	0.94	EN(A,D)4X36*21**	*9MA*1002120A**	1.01	0.96
EA*4X42*24A*	*9MA*1202422A**	1.02	0.93	END4X42*17**	*9MVX060	1.04	1.04
EA*4X42*24A*	*9MV*1202422A**	1.03	0.96	ENH4X42*21**	OLV112A16A	1.03	0.98
ED*4X36B**	*8MV*0701412**	0.99	0.95	ENH4X43*21**	NOMV156E19*	1.00	0.96
ED*4X36B**	*8MX*0451408**	0.99	0.99	EHD4X42A**	*9MPV050	1.00	1.00
ED*4X36B**	MV08B15**B*	0.99	0.95	EN(A,D)4X36*21**	-	0.99	0.99
ED*4X36F**	*8MV*0901716**	0.99	0.95	EHD4X42A**	*8MPV075	1.00	0.96
ED*4X36F**	*8MX*0701716**	0.99	0.95	ENH4X42*21**	*9MPV050	1.02	1.02
ED*4X36F**	*9MA*0601714A**	1.00	0.96	ED*4X42L**	*9MV*1002116A**	1.03	0.98
ED*4X36F**	*9MA*0601714A**	1.00	0.96	EHD4X36A**	*9MV*1002116A**	1.04	0.97
ED*4X36F**	*9MA*0801714A**	1.01	0.97	EN(A,D,W)4X42*21**	*9MVX040	1.02	1.02
ED*4X36F**	*9MA*0801714A**	1.01	0.96	END4X42*17**	*9MVX040	1.02	1.02
ED*4X36F**	*9MV*0601714A**	1.01	0.99	ED*4X42L**	*9MVX100	1.00	0.96
ED*4X36F**	*9MV*0801716A**	1.02	0.98	ENH4X43*21**	OLV098A12A	1.05	1.00
ED*4X36F**	*9MX*0601714A**	1.01	0.98	EN(A,D)4X36*21**	OMV098J12A	1.01	1.01
ED*4X36F**	*9MX*0601714A**	1.01	0.98	EN(A,D)4X37*17**	OMV098J12A	1.05	1.00
ED*4X36F**	*9MX*0801716A**	1.01	0.98	END4X42*17**	OMV112K14A	1.04	0.99
ED*4X36F**	*9MX*0801716A**	1.01	0.97	ENH4X36*17**	OMV112K14A	1.01	0.97
ED*4X36F**	MV12F19**B*	0.99	0.95	EN(A,D,W)4X36*17**	-	0.99	0.99
ED*4X36J**	*8MV*1102120**	0.99	0.95	EA*4X42*24A*	*9MA*1002120A**	1.02	0.95
ED*4X36J**	*8MX*0902116**	0.99	0.95	ENH4X36*17**	*9MPV075	1.01	1.01
ED*4X36J**	*8MX*1102120**	0.99	0.95	ENH4X43*21**	*9MPV100	1.06	0.97
ED*4X36J**	*9MA*1202422A**	1.01	0.94	ENH4X36*17**	*9MVX060	1.01	1.01
ED*4X36J**	*9MV*1202422A**	1.02	0.95	ENH4X43*21**	OLV112A16A	1.06	0.97
ED*4X36J**	MV16J22**B*	0.99	0.95	ENH4X42*21**	-	1.00	1.00
ED*4X42F**	*9MA*0601714A**	1.01	0.98	EHD4X42A**	*9MV*1002116A**	1.05	0.98
ED*4X42F**	*9MA*0801714A**	1.01	0.97	ENH4X36*17**	*9MVX040	1.01	1.01
ED*4X42F**	*9MV*0601714A**	1.02	0.98	EHD4X36A**	*9MVX100	0.99	0.95
ED*4X42F**	*9MV*0801716A**	1.02	0.99	ED*4X36F**	OLV112A16A	1.02	1.02
ED*4X42F**	*9MX*0601714A**	1.02	0.99	EN(A,D,W)4X36*17**	OMV098J12A	1.01	1.01
ED*4X42F**	*9MX*0801716A**	1.02	0.97	ENH4X42*21**	OMV112K14A	1.02	0.98
ED*4X42F**	MV12F19**B*	1.00	0.96	EN(A,D,W)4X42*21**	-	1.00	1.00
ED*4X42J**	*8MV*1102120**	1.00	0.96	ED*4X36F**	*9MA*1002120A**	1.01	0.97

COOLING Multiplying Factors for other Indoor Combinations

Indoor Model	Furnace Model	CAPACITY (MBh)	Power (AMPS)	Indoor Model	Furnace Model	CAPACITY (MBh)	Power (AMPS)
ED*4X42J**	*8MX*0902116**	1.00	0.96	ENH4X42*21**	*9MPV075	1.02	1.02
ED*4X42J**	*8MX*1102120**	1.00	0.96	ED*4X42L**	*9MPV125	1.00	0.96
ED*4X42J**	*9MA*1202422A**	1.02	0.95	ENH4X42*21**	*9MVX060	1.02	1.02
ED*4X42J**	*9MV*1202422A**	1.03	0.96	ED*4X42L**	OLV154F20A	1.05	0.97
ED*4X42J**	MV16J22**B*	1.00	0.96	ENH4X43*21**	-	1.01	1.01
ED*4X42L**	*8MV*1352422**	1.00	0.96	EN(A,D)4X43*24**	*9MA*1002120A**	1.05	0.96
ED*4X42L**	*9MA*1202422A**	1.02	0.95	ENH4X43*21**	*9MVX060	1.06	1.01
ED*4X42L**	*9MV*1202422A**	1.03	0.96	EHD4X36A**	OLV154F20A	1.06	0.97
EHD4X36A**	*8MV*0701412**	0.99	0.95	ED*4X36B**	*8MPV050	0.99	0.99
EHD4X36A**	*8MV*0901716**	0.99	0.95	ED*4X36J**	*8MPV100	0.99	0.95
EHD4X36A**	*8MV*1102120**	0.99	0.95	ED*4X36F**	*9MA*1002120A**	1.01	0.97
EHD4X36A**	*8MV*1352422**	0.99	0.95	EN(A,D,W)4X42*21**	*9MA*1002120A**	1.02	0.95
EHD4X36A**	*8MX*0451408**	0.99	0.99	EN(A,D)4X36*21**	*9MPV050	1.01	1.01
EHD4X36A**	*8MX*0701716**	0.99	0.95	ENH4X43*21**	*9MPV050	1.05	1.05
EHD4X36A**	*8MX*0902116**	0.99	0.95	ENH4X43*21**	*9MPV075	1.05	1.01
EHD4X36A**	*8MX*1102120**	0.99	0.95	EHD4X36A**	*9MPV125	0.99	0.95
EHD4X36A**	*9MA*0601714A**	1.02	0.98	EN(A,D)4X36*21**	*9MV*1002116A**	1.01	0.98
EHD4X36A**	*9MA*0801714A**	1.02	0.95	ENH4X42*21**	*9MVX040	1.02	1.02
EHD4X36A**	*9MA*1202422A**	1.04	0.95	ED*4X36J**	*9MVX080	0.99	0.95
EHD4X36A**	*9MV*0601714A**	1.04	1.00	EHD4X42A**	*9MVX100	1.00	0.96
EHD4X36A**	*9MV*0801716A**	1.04	0.99	ED*4X36J**	OLV112A16A	1.02	0.98
EHD4X36A**	*9MV*1202422A**	1.04	0.97	EHD4X42A**	OLV154F20A	1.06	0.97
EHD4X36A**	*9MX*0601714A**	1.04	0.99	EN(A,D,W)4X42*21**	OMV098J12A	1.02	1.02
EHD4X36A**	*9MX*0801716A**	1.04	0.97	ENH4X43*21**	OMV112K14A	1.05	0.97
EHD4X36A**	MV08B15**B*	0.99	0.95	EN(A,D)4X37*17**	-	1.01	1.01
EHD4X36A**	MV12F19**B*	0.99	0.91	END4X42*17**	-	1.00	1.00
EHD4X42A**	*8MV*0701412**	1.00	0.96	EHD4X36A**	*8MPV050	0.99	0.99
EHD4X42A**	*8MV*0901716**	1.00	0.96	ED*4X42J**	*8MPV100	1.00	0.96
EHD4X42A**	*8MV*1102120**	1.00	0.96	ED*4X36J**	*9MA*1002120A**	1.01	0.97
EHD4X42A**	*8MV*1352422**	1.00	0.96	ENH4X36*17**	*9MA*1002120A**	1.01	0.96
EHD4X42A**	*8MX*0451408**	1.00	1.00	EN(A,D)4X37*17**	*9MPV050	1.05	1.05
EHD4X42A**	*8MX*0701716**	1.00	0.96	ED*4X36F**	*9MPV075	0.99	0.99
EHD4X42A**	*8MX*0902116**	1.00	0.96	ED*4X36J**	*9MPV100	0.99	0.95
EHD4X42A**	*8MX*1102120**	1.00	0.92	EHD4X42A**	*9MPV125	1.00	0.96
EHD4X42A**	*9MA*0601714A**	1.03	0.96	EN(A,D)4X43*24**	*9MV*1002116A**	1.05	0.96

COOLING Multiplying Factors for other Indoor Combinations

Indoor Model	Furnace Model	CAPACITY (MBh)	Power (AMPS)	Indoor Model	Furnace Model	CAPACITY (MBh)	Power (AMPS)
EHD4X42A**	*9MA*0801714A**	1.03	0.96	ENH4X43*21**	*9MVX040	1.05	1.05
EHD4X42A**	*9MA*1202422A**	1.04	0.95	ED*4X42J**	*9MVX080	1.00	0.96
EHD4X42A**	*9MV*0601714A**	1.04	1.00	EN(A,D)4X43*24**	*9MVX100	1.06	0.97
EHD4X42A**	*9MV*0801716A**	1.05	0.98	ED*4X42F**	OLV112A16A	1.03	0.98
EHD4X42A**	*9MV*1202422A**	1.05	0.96	EN(A,D)4X43*24**	OLV154F20A	1.06	0.97
EHD4X42A**	*9MX*0601714A**	1.04	0.97	END4X42*17**	OMV098J12A	1.03	1.03
EHD4X42A**	*9MX*0801716A**	1.04	0.97	ED*4X36B**	-	0.99	0.99
EHD4X42A**	MV08B15**B*	1.00	0.96	EN(A,D)4X43*24**	-	1.01	1.01
EHD4X42A**	MV12F19**B*	1.00	0.92	ENH4X36*17**	-	0.99	0.99
EN(A,D)4X36*21**	*8MV*1102120**	0.99	0.95	ED*4X42F**	*9MA*1002120A**	1.02	0.97
EN(A,D)4X36*21**	*8MX*0902116**	0.99	0.95	ED*4X42J**	*9MPV100	1.00	0.96
EN(A,D)4X36*21**	*8MX*1102120**	0.99	0.95	EN(A,D)4X43*24**	*9MPV125	1.06	0.97
EN(A,D)4X36*21**	*9MA*0601714A**	1.00	0.96	EN(A,D,W)4X42*21**	*9MV*1002116A**	1.02	0.98
EN(A,D)4X36*21**	*9MA*0801714A**	1.01	0.96	ED*4X36F**	*9MVX060	0.99	0.99
EN(A,D)4X36*21**	*9MV*0601714A**	1.01	0.99	ED*4X36F**	OLV098A12A	1.01	1.01
EN(A,D)4X36*21**	*9MV*0801716A**	1.01	0.98	ED*4X42J**	OLV112A16A	1.03	0.98
EN(A,D)4X36*21**	*9MX*0601714A**	1.01	0.98	ENH4X36*17**	OMV098J12A	1.01	1.01
EN(A,D)4X36*21**	*9MX*0801716A**	1.01	0.96	ED*4X36F**	-	0.99	0.99
EN(A,D)4X37*17**	*8MV*0901716**	1.01	0.96	EHD4X36A**	*8MPV100	0.99	0.95
EN(A,D)4X37*17**	*8MX*0701716**	1.01	0.96	ED*4X42F**	*9MPV075	1.00	1.00
EN(A,D)4X37*17**	*9MA*0601714A**	1.04	0.97	ENH4X36*17**	*9MV*1002116A**	1.01	0.98
EN(A,D)4X37*17**	*9MA*0801714A**	1.04	0.95	ED*4X42F**	*9MVX060	1.00	1.00
EN(A,D)4X37*17**	*9MV*0601714A**	1.05	1.00	ED*4X42F**	OLV098A12A	1.02	1.02
EN(A,D)4X37*17**	*9MV*0801716A**	1.04	0.97	ED*4X42L**	OLV112A16A	1.03	0.98
EN(A,D)4X37*17**	*9MX*0601714A**	1.05	0.98	ENH4X42*21**	OMV098J12A	1.02	1.02
EN(A,D)4X37*17**	*9MX*0801716A**	1.05	0.96	ED*4X36J**	-	0.99	0.99
EN(A,D)4X43*24**	*8MV*1352422**	1.01	0.96	ENH4X42*21**	*9MA*1002120A**	1.02	0.95
EN(A,D)4X43*24**	*9MA*1202422A**	1.05	0.96	EHD4X36A**	*9MVX080	0.99	0.95
EN(A,D)4X43*24**	*9MV*1202422A**	1.05	0.97	ENH4X36*17**	OLV154F20A	1.04	0.99
EN(A,D,W)4X36*17**	*8MV*0901716**	0.99	0.95	EHD4X42A**	*8MPV100	1.00	0.96
EN(A,D,W)4X36*17**	*8MX*0701716**	0.99	0.95	EHD4X36A**	*9MPV075	0.99	0.95
EN(A,D,W)4X36*17**	*9MA*0601714A**	1.00	0.96	ENH4X42*21**	*9MV*1002116A**	1.02	0.98
EN(A,D,W)4X36*17**	*9MA*0801714A**	1.01	0.96	EHD4X36A**	*9MVX060	0.99	0.95
EN(A,D,W)4X36*17**	*9MV*0601714A**	1.01	0.99	EHD4X36A**	OLV098A12A	1.03	0.98
EN(A,D,W)4X36*17**	*9MV*0801716A**	1.01	0.98	EHD4X36A**	OLV112A16A	1.04	1.00

COOLING Multiplying Factors for other Indoor Combinations

Indoor Model	Furnace Model	CAPACITY (MBh)	Power (AMPS)	Indoor Model	Furnace Model	CAPACITY (MBh)	Power (AMPS)
EN(A,D,W)4X36*17**	*9MX*0601714A**	1.01	0.98	ENH4X43*21**	OMV098J12A	1.05	1.00
EN(A,D,W)4X36*17**	*9MX*0801716A**	1.01	0.96	ED*4X42F**	-	1.00	1.00
EN(A,D,W)4X42*21**	*8MV*1102120**	1.00	0.96	ED*4X42J**	*9MA*1002120A**	1.02	0.95
EN(A,D,W)4X42*21**	*8MX*0902116**	1.00	0.96	EHD4X36A**	*9MPV100	0.99	0.95
EN(A,D,W)4X42*21**	*8MX*1102120**	1.00	0.96	EA*4X36*21A*	*9MV*1002116A**	1.02	0.98
EN(A,D,W)4X42*21**	*9MA*0601714A**	1.01	0.98	ENH4X43*21**	*9MV*1002116A**	1.05	0.96
EN(A,D,W)4X42*21**	*9MA*0801714A**	1.01	0.97	EHD4X42A**	*9MVX060	1.00	0.96
EN(A,D,W)4X42*21**	*9MV*0601714A**	1.02	0.98	EHD4X42A**	OLV098A12A	1.04	0.99
EN(A,D,W)4X42*21**	*9MV*0801716A**	1.02	0.98	EHD4X42A**	OLV112A16A	1.05	1.00
EN(A,D,W)4X42*21**	*9MX*0601714A**	1.02	0.99	ED*4X36F**	OMV112K14A	1.02	0.97
EN(A,D,W)4X42*21**	*9MX*0801716A**	1.02	0.95	ED*4X42J**	-	1.00	1.00
END4X42*17**	*8MV*0901716**	1.00	0.96	ED*4X36J**	*8MPV125	0.99	0.95
END4X42*17**	*8MX*0701716**	1.00	0.96	EHD4X42A**	*9MPV075	1.00	0.96
END4X42*17**	*9MA*0601714A**	1.02	0.97	ED*4X36F**	*9MVX040	0.99	0.99
END4X42*17**	*9MA*0801714A**	1.02	0.95	EN(A,D)4X36*21**	*9MVX060	1.01	1.01
END4X42*17**	*9MV*0601714A**	1.03	0.99	EN(A,D)4X36*21**	OLV098A12A	1.01	1.01
END4X42*17**	*9MV*0801716A**	1.03	0.98	EN(A,D)4X36*21**	OLV112A16A	1.02	1.02
END4X42*17**	*9MX*0601714A**	1.03	0.98	ED*4X42F**	OMV112K14A	1.02	0.98
END4X42*17**	*9MX*0801716A**	1.03	0.96	ED*4X42L**	-	1.00	1.00
ENH4X36*17**	*8MV*0701412**	0.99	0.95	EHD4X42A**	*8MPV050	1.00	1.00
ENH4X36*17**	*8MV*0901716**	0.99	0.95	ED*4X42J**	*8MPV125	1.00	0.96
ENH4X36*17**	*8MV*1102120**	0.99	0.95	ED*4X42L**	*9MA*1002120A**	1.02	0.95
ENH4X36*17**	*8MV*1352422**	0.99	0.95	ENH4X43*21**	*9MA*1002120A**	1.05	0.96
ENH4X36*17**	*8MX*0451408**	0.99	0.99	EN(A,D,W)4X36*17**	*9MPV050	1.01	1.01
ENH4X36*17**	*8MX*0701716**	0.99	0.95	EN(A,D)4X36*21**	*9MPV075	1.01	1.01
ENH4X36*17**	*8MX*0902116**	0.99	0.95	EHD4X42A**	*9MPV100	1.00	0.96
ENH4X36*17**	*8MX*1102120**	0.99	0.95	EA*4X42*21A*	*9MV*1002116A**	1.03	0.98
ENH4X36*17**	*9MA*0601714A**	1.00	0.96	ED*4X42F**	*9MVX040	1.00	1.00
ENH4X36*17**	*9MA*0801714A**	1.01	0.96	EN(A,D)4X37*17**	*9MVX060	1.06	1.01
ENH4X36*17**	*9MA*1202422A**	1.01	0.94	EHD4X42A**	*9MVX080	1.00	0.96
ENH4X36*17**	*9MV*0601714A**	1.01	0.99	EN(A,D)4X37*17**	OLV098A12A	1.05	1.00
ENH4X36*17**	*9MV*0801716A**	1.01	0.98	EN(A,D)4X43*24**	OLV112A16A	1.06	0.97
ENH4X36*17**	*9MV*1202422A**	1.01	0.97	ENH4X42*21**	OLV154F20A	1.05	1.01
ENH4X36*17**	*9MX*0601714A**	1.01	0.98	EHD4X36A**	OMV112K14A	1.04	0.99
ENH4X36*17**	*9MX*0801716A**	1.01	0.96	EHD4X36A**	-	0.99	0.99

COOLING Multiplying Factors for other Indoor Combinations

Indoor Model	Furnace Model	CAPACITY (MBh)	Power (AMPS)	Indoor Model	Furnace Model	CAPACITY (MBh)	Power (AMPS)
ENH4X42*21**	*8MV*0701412**	1.00	0.96	ED*4X36F**	*8MPV075	0.99	0.95
ENH4X42*21**	*8MV*0901716**	1.00	0.96	EHD4X36A**	*8MPV125	0.99	0.95
ENH4X42*21**	*8MV*1102120**	1.00	0.96	EHD4X36A**	*9MA*1002120A**	1.03	0.96
ENH4X42*21**	*8MV*1352422**	1.00	0.96	ED*4X36F**	*9MPV050	0.99	0.99
ENH4X42*21**	*8MX*0451408**	1.00	1.00	EN(A,D,W)4X42*21**	*9MPV050	1.02	1.02
ENH4X42*21**	*8MX*0701716**	1.00	0.96	EN(A,D)4X37*17**	*9MPV075	1.05	1.01
ENH4X42*21**	*8MX*0902116**	1.00	0.96	EN(A,D)4X36*21**	*9MPV100	1.02	0.98
ENH4X42*21**	*8MX*1102120**	1.00	0.96	EA*4X42*24A*	*9MV*1002116A**	1.03	0.98
ENH4X42*21**	*9MA*0601714A**	1.01	0.98	EHD4X36A**	*9MVX040	0.99	0.99
ENH4X42*21**	*9MA*0801714A**	1.01	0.97	EN(A,D,W)4X36*17**	*9MVX060	1.01	1.01
ENH4X42*21**	*9MA*1202422A**	1.02	0.95	EN(A,D)4X36*21**	*9MVX080	1.03	0.98
ENH4X42*21**	*9MV*0601714A**	1.02	0.98	EN(A,D,W)4X36*17**	OLV098A12A	1.01	1.01
ENH4X42*21**	*9MV*0801716A**	1.02	0.98	EN(A,D,W)4X42*21**	OLV112A16A	1.03	0.98
ENH4X42*21**	*9MV*1202422A**	1.02	0.95	ENH4X43*21**	OLV154F20A	1.06	0.97
ENH4X42*21**	*9MX*0601714A**	1.02	0.99	EHD4X42A**	OMV112K14A	1.04	0.95
ENH4X42*21**	*9MX*0801716A**	1.02	0.95	EHD4X42A**	-	1.00	1.00
ENH4X43*21**	*8MV*0701412**	1.01	0.96	ED*4X42F**	*8MPV075	1.00	0.96
ENH4X43*21**	*8MV*0901716**	1.01	0.92	EHD4X42A**	*8MPV125	1.00	0.96
ENH4X43*21**	*8MV*1102120**	1.01	0.92	EHD4X42A**	*9MA*1002120A**	1.04	0.95
ENH4X43*21**	*8MV*1352422**	1.01	0.92	ED*4X42F**	*9MPV050	1.00	1.00
ENH4X43*21**	*8MX*0451408**	1.01	0.96	END4X42*17**	*9MPV050	1.02	1.02
ENH4X43*21**	*8MX*0701716**	1.01	0.96	EN(A,D,W)4X36*17**	*9MPV075	1.01	1.01
ENH4X43*21**	*8MX*0902116**	1.01	0.92	EN(A,D)4X43*24**	*9MPV100	1.06	0.97
ENH4X43*21**	*8MX*1102120**	1.01	0.92	ED*4X36F**	*9MV*1002116A**	1.02	0.98
ENH4X43*21**	*9MA*0601714A**	1.04	0.97	EHD4X42A**	*9MVX040	1.00	1.00
ENH4X43*21**	*9MA*0801714A**	1.04	0.95	EN(A,D,W)4X42*21**	*9MVX060	1.02	1.02
ENH4X43*21**	*9MA*1202422A**	1.05	0.96	EN(A,D)4X43*24**	*9MVX080	1.06	0.97
ENH4X43*21**	*9MV*0601714A**	1.05	1.01	EN(A,D,W)4X42*21**	OLV098A12A	1.02	1.02
ENH4X43*21**	*9MV*0801716A**	1.04	0.97	ENH4X36*17**	OLV112A16A	1.02	1.02
ENH4X43*21**	*9MV*1202422A**	1.06	0.97	ED*4X36F**	OMV098J12A	1.01	1.01
ENH4X43*21**	*9MX*0601714A**	1.05	0.98	EN(A,D)4X36*21**	OMV112K14A	1.01	0.97
ENH4X43*21**	*9MX*0801716A**	1.05	0.97	EMA4X36D**	-	0.99	0.99
FEA4X36**A*	-	1.00	1.00	EHD4X42A**	MV16J22**B*	1.00	0.92
FEM4P36**A*	-	1.00	1.00	ED*4X42L**	MV20L24**B*	1.00	0.96
FEM4P36**A*	-	1.00	1.00	EHD4X36A**	MV20L24**B*	0.99	0.91

COOLING Multiplying Factors for other Indoor Combinations

Indoor Model	Furnace Model	CAPACITY (MBh)	Power (AMPS)	Indoor Model	Furnace Model	CAPACITY (MBh)	Power (AMPS)
FEM4P42**A*	-	1.00	1.00	EHD4X42A**	MV20L24**B*	1.00	0.92
FEM4P42**A*	-	1.00	0.96	ED*4X36F**	NOMV106D12*	0.99	0.95
FEM4X36****	-	1.00	0.96	EHD4X36A**	NOMV106D12*	1.00	0.96
FEM4X42****	-	1.00	0.96	EHD4X42A**	NOMV106D12*	1.00	0.96
FS(M,U)4P36**A*	-	1.00	1.00	EN(A,D)4X37*17**	NOMV106D12*	1.00	0.96
FS(M,U)4P42**A*	-	1.00	1.00	EN(A,D,W)4X36*17**	NOMV106D12*	0.99	0.95
FS(M,U)4P42**A*	-	1.00	1.00	END4X42*17**	NOMV106D12*	1.00	0.96
FS(M,U)4X42****	-	1.00	1.00	ENH4X42*21**	NOMV106D12*	0.99	0.95
FMS4X36****	-	1.00	1.00	ENH4X43*21**	NOMV106D12*	1.00	0.96
FVM4X24****	-	1.00	0.96	ED*4X36J**	NOMV156E19*	0.99	0.95
FVM4X36****	-	1.00	0.96	ED*4X42J**	NOMV156E19*	1.00	0.96
FVM4X48****	-	1.01	0.92	EHD4X36A**	NOMV156E19*	1.00	0.96
FVM4X60****	-	1.06	0.93	EHD4X42A**	NOMV156E19*	1.00	0.96
FXM4X36**A*	-	1.00	0.92	EN(A,D)4X36*21**	NOMV156E19*	0.99	0.95
FXM4X42**A*	-	1.00	0.92	EN(A,D,W)4X42*21**	NOMV156E19*	1.00	0.96
FXM4X48**A*	-	1.06	0.95	ENH4X36*17**	NOMV156E19*	0.99	0.95

COOLING Multiplying Factors for other Indoor Combinations

Indoor Model	Furnace Model	CAPACITY (MBh)	Power (AMPS)	Indoor Model	Furnace Model	CAPACITY (MBh)	Power (AMPS)
N4H342							
*FS(M,U)4P42**A*	-	1.00	1.00	EN(A,D)4X48*24**	*9MX*1202422A**	1.01	0.94
EA*4X42*21A*	*8MV*1102120**	0.99	0.94	EHD4X42A**	*8MPV100	0.98	0.93
EA*4X42*21A*	*8MX*0902116**	0.99	0.94	EN(A,D)4X48*24**	*9MPV100	1.01	0.97
EA*4X42*21A*	*8MX*1102120**	0.99	0.93	EN(A,D)4X48*24**	*9MPV125	1.01	0.93
EA*4X42*24A*	*8MV*1352422**	0.99	0.93	ED*4X48L**	*9MA*1002120A**	0.99	0.94
EA*4X42*24A*	*8MX*1352420**	0.99	0.94	EN(A,D,W)4X48*21**	*9MV*1002116A**	1.00	0.96
EA*4X42*24A*	*9MV*1202422A**	0.99	0.94	ENH4X43*21**	OLV112A16A	1.02	0.98
EA*4X42*24A*	*9MX*1202422A**	1.00	0.96	EHD4X42A**	-	0.98	0.98
EA*4X48*17A*	*8MV*0901716**	1.01	0.95	ENH4X43*21**	NOMV156E19*	0.98	0.93
EA*4X48*17A*	*8MX*0701716**	1.00	0.98	EN(A,D,W)4X48*21**	*9MPV075	1.00	1.00
EA*4X48*17A*	*9MA*0601714A**	0.99	0.95	EHD4X42A**	*9MVX080	0.98	0.93
EA*4X48*17A*	*9MA*0801714A**	1.00	0.96	EN(A,D,W)4X42*21**	*9MVX080	0.99	0.94
EA*4X48*17A*	*9MV*0601714A**	1.00	0.96	EHD4X42A**	*9MX*1002116A**	1.00	0.96
EA*4X48*17A*	*9MV*0801716A**	1.00	0.96	ED*4X48F**	OLV112A16A	1.01	0.97
EA*4X48*17A*	*9MX*0601714A**	1.00	0.96	EHD4X42A**	OMV112K14A	1.00	0.96

COOLING Multiplying Factors for other Indoor Combinations

Indoor Model	Furnace Model	CAPACITY (MBh)	Power (AMPS)	Indoor Model	Furnace Model	CAPACITY (MBh)	Power (AMPS)
EA*4X48*17A*	*9MX*0801716A**	1.01	0.98	EA*4X48*17A*	-	1.01	1.01
EA*4X48*21A*	*8MV*1102120**	1.00	0.94	EHD4X48A**	*8MPV100	1.00	0.96
EA*4X48*21A*	*8MX*0902116**	1.00	0.94	EN(A,D,W)4X42*21**	*9MPV100	0.99	0.94
EA*4X48*21A*	*8MX*1102120**	1.00	0.94	ENH4X48*21**	*9MPV125	1.01	0.93
EA*4X48*21A*	*9MA*0801714A**	0.99	0.95	EN(A,D,W)4X48*21**	*9MVX080	1.01	0.97
EA*4X48*21A*	*9MV*0601714A**	0.99	0.97	EHD4X48A**	*9MX*1002116A**	1.00	0.96
EA*4X48*21A*	*9MV*0801716A**	0.99	0.95	ED*4X48J**	OLV112A16A	1.00	0.96
EA*4X48*21A*	*9MX*0601714A**	1.00	0.96	EHD4X48A**	OMV112K14A	1.01	0.97
EA*4X48*21A*	*9MX*0801716A**	1.00	0.96	EA*4X48*21A*	-	1.01	1.01
EA*4X48*24A*	*8MV*1352422**	1.00	0.94	EHD4X42A**	*9MA*1002120A**	1.00	0.93
EA*4X48*24A*	*8MX*1352420**	1.01	0.95	ENH4X43*21**	*9MV*1002116A**	1.02	0.95
EA*4X48*24A*	*9MA*1202422A**	1.00	0.93	EHD4X48A**	*9MVX100	1.00	0.96
EA*4X48*24A*	*9MV*1202422A**	1.00	0.93	ENH4X48*21**	OLV112A16A	1.00	0.96
EA*4X48*24A*	*9MX*1202422A**	1.01	0.94	EHD4X48A**	-	1.00	1.00
ED*4X42J**	*8MV*1102120**	0.98	0.93	ED*4X42J**	*8MPV125	0.98	0.93
ED*4X42J**	*8MX*0902116**	0.98	0.93	EN(A,D,W)4X48*21**	*9MPV100	1.01	0.97
ED*4X42J**	*8MX*1102120**	0.98	0.93	EA*4X48*21A*	*9MV*1002116A**	1.00	0.96
ED*4X42J**	*9MV*1202422A**	0.99	0.94	ED*4X42L**	OLV154F20A	1.00	0.96
ED*4X42J**	*9MX*1202422A**	0.99	0.94	EMA4X48D**	-	1.00	1.00
ED*4X42L**	*8MV*1352422**	0.98	0.93	EHD4X48A**	*9MA*1002120A**	1.00	0.93
ED*4X42L**	*8MX*1352420**	0.98	0.93	ENH4X48*21**	*9MV*1002116A**	1.00	0.96
ED*4X42L**	*9MV*1202422A**	0.99	0.94	ED*4X48L**	OLV154F20A	1.02	0.98
ED*4X42L**	*9MX*1202422A**	1.00	0.96	EN(A,D)4X43*24**	-	1.00	1.00
ED*4X48F**	*8MV*0901716**	1.00	0.96	ENH4X48*21**	NOMV156E19*	0.98	0.93
ED*4X48F**	*8MX*0701716**	1.00	0.96	ENH4X43*21**	*9MPV075	1.01	0.97
ED*4X48F**	*9MA*0601714A**	0.99	0.95	EHD4X48A**	*9MVX080	1.00	0.96
ED*4X48F**	*9MA*0801714A**	1.00	0.96	ENH4X42*21**	*9MVX080	0.99	0.94
ED*4X48F**	*9MV*0601714A**	1.00	0.96	EN(A,D)4X43*24**	*9MX*1002116A**	1.01	0.94
ED*4X48F**	*9MV*0801716A**	1.00	0.96	ED*4X48L**	OLV112A16A	1.00	0.96
ED*4X48F**	*9MX*0601714A**	1.00	0.96	EN(A,D,W)4X48*21**	OMV112K14A	1.00	0.96
ED*4X48F**	*9MX*0801716A**	1.01	0.98	EA*4X48*24A*	-	1.01	1.01
ED*4X48J**	*8MV*1102120**	0.98	0.93	ED*4X48J**	*8MPV125	1.00	0.96
ED*4X48J**	*8MX*0902116**	1.00	0.96	ENH4X42*21**	*9MPV100	0.99	0.94
ED*4X48J**	*8MX*1102120**	1.00	0.96	EA*4X48*24A*	*9MV*1002116A**	1.00	0.96
ED*4X48J**	*9MA*1202422A**	0.99	0.92	EN(A,D)4X43*24**	*9MVX100	1.02	0.94

COOLING Multiplying Factors for other Indoor Combinations

Indoor Model	Furnace Model	CAPACITY (MBh)	Power (AMPS)	Indoor Model	Furnace Model	CAPACITY (MBh)	Power (AMPS)
ED*4X48J**	*9MA*1202422A**	0.99	0.92	EN(A,D)4X48*24**	*9MVX100	1.01	0.97
ED*4X48J**	*9MV*1202422A**	1.00	0.93	EHD4X42A**	OLV154F20A	1.02	0.98
ED*4X48J**	*9MX*1202422A**	1.01	0.94	EN(A,D)4X48*24**	-	1.00	1.00
ED*4X48J**	*9MX*1202422A**	1.01	0.94	EN(A,D,W)4X42*21**	-	0.98	0.98
ED*4X48L**	*8MV*1352422**	1.00	0.96	EN(A,D)4X43*24**	*9MA*1002120A**	1.01	0.93
ED*4X48L**	*8MX*1352420**	1.00	0.96	ED*4X48F**	*9MVX060	1.00	1.00
ED*4X48L**	*9MA*1202422A**	1.00	0.93	ENH4X48*21**	*9MVX100	1.01	0.97
ED*4X48L**	*9MV*1202422A**	1.00	0.93	EHD4X48A**	OLV154F20A	1.02	0.98
ED*4X48L**	*9MX*1202422A**	1.01	0.94	EN(A,D,W)4X48*21**	-	1.00	1.00
EHD4X42A**	*8MV*0701412**	0.98	0.98	EHD4X42A**	NOMV156E19*	0.98	0.93
EHD4X42A**	*8MV*0901716**	0.98	0.93	ED*4X42F**	*8MPV075	0.98	0.98
EHD4X42A**	*8MV*1102120**	0.98	0.93	EHD4X42A**	*8MPV125	0.98	0.93
EHD4X42A**	*8MV*1352422**	0.98	0.93	EN(A,D)4X48*24**	*9MA*1002120A**	1.00	0.93
EHD4X42A**	*8MX*0701716**	0.98	0.98	ENH4X48*21**	*9MPV075	1.00	1.00
EHD4X42A**	*8MX*0902116**	0.98	0.93	ENH4X43*21**	*9MPV100	1.02	0.94
EHD4X42A**	*8MX*1102120**	0.98	0.93	ED*4X48F**	*9MV*1002116A**	1.01	0.97
EHD4X42A**	*8MX*1352420**	0.98	0.93	EHD4X42A**	*9MVX060	0.98	0.98
EHD4X42A**	*9MA*0801714A**	0.99	0.94	ENH4X43*21**	*9MVX080	1.02	0.98
EHD4X42A**	*9MA*1202422A**	1.00	0.93	EA*4X48*21A*	*9MX*1002116A**	1.00	0.96
EHD4X42A**	*9MV*0601714A**	1.00	0.96	EN(A,D)4X48*24**	*9MX*1002116A**	1.00	0.96
EHD4X42A**	*9MV*0801716A**	1.00	0.96	EHD4X42A**	OLV112A16A	1.01	1.01
EHD4X42A**	*9MV*1202422A**	1.00	0.93	EN(A,D)4X43*24**	OLV154F20A	1.02	0.94
EHD4X42A**	*9MX*0601714A**	1.00	0.96	END4X42*17**	OMV112K14A	0.99	0.95
EHD4X42A**	*9MX*0801716A**	1.00	0.96	ED*4X42F**	-	0.98	0.98
EHD4X42A**	*9MX*1202422A**	1.01	0.94	END4X42*17**	-	0.98	0.98
EHD4X48A**	*8MV*0701412**	1.00	0.96	EHD4X48A**	NOMV156E19*	0.98	0.93
EHD4X48A**	*8MV*0901716**	1.00	0.96	ED*4X48F**	*8MPV075	1.00	0.96
EHD4X48A**	*8MV*1102120**	1.00	0.96	EHD4X48A**	*8MPV125	1.00	0.96
EHD4X48A**	*8MV*1352422**	1.00	0.96	EN(A,D,W)4X48*21**	*9MA*1002120A**	1.00	0.93
EHD4X48A**	*8MX*0701716**	1.00	0.96	ED*4X42J**	*9MPV100	0.98	0.93
EHD4X48A**	*8MX*0902116**	1.00	0.96	ENH4X48*21**	*9MPV100	1.01	0.97
EHD4X48A**	*8MX*1102120**	1.00	0.96	ED*4X48J**	*9MV*1002116A**	1.00	0.96
EHD4X48A**	*8MX*1352420**	1.00	0.96	EHD4X48A**	*9MVX060	1.00	0.96
EHD4X48A**	*9MA*0601714A**	1.00	0.96	EN(A,D)4X43*24**	*9MVX080	1.02	0.94
EHD4X48A**	*9MA*0801714A**	1.00	0.96	ENH4X48*21**	*9MVX080	1.01	0.97

COOLING Multiplying Factors for other Indoor Combinations

Indoor Model	Furnace Model	CAPACITY (MBh)	Power (AMPS)	Indoor Model	Furnace Model	CAPACITY (MBh)	Power (AMPS)
EHD4X48A**	*9MA*1202422A**	1.00	0.93	EA*4X48*24A*	*9MX*1002116A**	1.00	0.96
EHD4X48A**	*9MV*0601714A**	1.00	0.96	EN(A,D,W)4X48*21**	*9MX*1002116A**	1.00	0.96
EHD4X48A**	*9MV*0801716A**	1.00	0.96	EHD4X48A**	OLV112A16A	1.01	0.97
EHD4X48A**	*9MV*1202422A**	1.01	0.94	EN(A,D)4X48*24**	OLV154F20A	1.02	0.98
EHD4X48A**	*9MX*0601714A**	1.00	0.96	ENH4X43*21**	OMV112K14A	1.01	0.97
EHD4X48A**	*9MX*0801716A**	1.01	0.97	ED*4X42J**	-	0.98	0.98
EHD4X48A**	*9MX*1202422A**	1.01	0.94	ENH4X42*21**	-	0.98	0.98
EN(A,D)4X43*24**	*8MV*1352422**	1.00	0.92	ENH4X43*21**	*9MA*1002120A**	1.01	0.94
EN(A,D)4X43*24**	*8MX*1352420**	1.00	0.92	EN(A,D,W)4X48*21**	*9MVX060	1.00	1.00
EN(A,D)4X43*24**	*9MA*1202422A**	1.01	0.93	ED*4X48F**	*9MX*1002116A**	1.00	0.96
EN(A,D)4X43*24**	*9MV*1202422A**	1.01	0.93	ENH4X42*21**	OLV154F20A	1.01	0.97
EN(A,D)4X43*24**	*9MX*1202422A**	1.02	0.94	ENH4X43*21**	-	1.00	1.00
EN(A,D)4X48*24**	*8MV*1352422**	1.00	0.96	ENH4X48*21**	*9MA*1002120A**	1.00	0.93
EN(A,D)4X48*24**	*8MX*1352420**	1.00	0.96	ENH4X43*21**	*9MVX060	1.01	0.97
EN(A,D)4X48*24**	*9MA*1202422A**	1.00	0.93	ED*4X48J**	*9MX*1002116A**	1.00	0.96
EN(A,D)4X48*24**	*9MV*1202422A**	1.00	0.93	ENH4X43*21**	OLV154F20A	1.02	0.94
EN(A,D,W)4X42*21**	*8MV*1102120**	0.98	0.98	EA*4X48*21A*	*9MA*1002120A**	0.99	0.94
EN(A,D,W)4X42*21**	*8MX*0902116**	0.98	0.93	ED*4X42L**	*9MPV125	0.98	0.93
EN(A,D,W)4X42*21**	*8MX*1102120**	0.98	0.93	ED*4X48L**	*9MV*1002116A**	1.00	0.96
EN(A,D,W)4X48*21**	*8MV*1102120**	1.00	0.96	EA*4X48*24A*	*9MA*1002120A**	0.99	0.94
EN(A,D,W)4X48*21**	*8MX*0902116**	1.00	0.96	ED*4X48L**	*9MPV125	1.00	0.96
EN(A,D,W)4X48*21**	*8MX*1102120**	1.00	0.96	EHD4X42A**	*9MV*1002116A**	1.01	0.97
EN(A,D,W)4X48*21**	*9MA*0801714A**	0.99	0.94	ED*4X42L**	*9MVX100	0.98	0.93
EN(A,D,W)4X48*21**	*9MV*0601714A**	1.00	0.96	ENH4X43*21**	*9MX*1002116A**	1.01	0.94
EN(A,D,W)4X48*21**	*9MV*0801716A**	1.00	0.96	EN(A,D)4X43*24**	OLV112A16A	1.02	0.98
EN(A,D,W)4X48*21**	*9MX*0601714A**	1.00	0.96	ENH4X48*21**	OMV112K14A	1.00	0.96
EN(A,D,W)4X48*21**	*9MX*0801716A**	1.00	0.96	ED*4X42L**	-	0.98	0.98
END4X42*17**	*8MV*0901716**	0.98	0.93	EHD4X42A**	*8MPV075	0.98	0.93
END4X42*17**	*8MX*0701716**	0.98	0.98	ED*4X48J**	*9MPV100	1.00	0.96
END4X42*17**	*9MX*0801716A**	0.99	0.95	ED*4X48F**	-	1.00	1.00
ENH4X42*21**	*8MV*0701412**	0.98	0.98	EN(A,D,W)4X42*21**	NOMV156E19*	0.96	0.92
ENH4X42*21**	*8MV*0901716**	0.98	0.93	EHD4X48A**	*8MPV075	1.00	0.96
ENH4X42*21**	*8MV*1102120**	0.98	0.93	ED*4X48F**	*9MA*1002120A**	1.00	0.96
ENH4X42*21**	*8MV*1352422**	0.98	0.93	ED*4X48F**	*9MPV075	0.98	0.98
ENH4X42*21**	*8MX*0701716**	0.98	0.98	EHD4X42A**	*9MPV100	1.00	0.96

COOLING Multiplying Factors for other Indoor Combinations

Indoor Model	Furnace Model	CAPACITY (MBh)	Power (AMPS)	Indoor Model	Furnace Model	CAPACITY (MBh)	Power (AMPS)
ENH4X42*21**	*8MX*0902116**	0.98	0.93	EHD4X42A**	*9MPV125	0.98	0.93
ENH4X42*21**	*8MX*1102120**	0.98	0.93	EHD4X48A**	*9MV*1002116A**	1.01	0.97
ENH4X42*21**	*8MX*1352420**	0.98	0.93	ENH4X48*21**	*9MVX060	1.00	1.00
ENH4X43*21**	*8MV*0701412**	1.00	0.96	EN(A,D,W)4X48*21**	NOMV156E19*	0.98	0.93
ENH4X43*21**	*8MV*0901716**	1.00	0.96	ED*4X42J**	*8MPV100	0.98	0.93
ENH4X43*21**	*8MV*1102120**	1.00	0.96	ED*4X48J**	*9MA*1002120A**	0.99	0.94
ENH4X43*21**	*8MV*1352422**	1.00	0.92	EHD4X42A**	*9MPV075	0.98	0.98
ENH4X43*21**	*8MX*0701716**	1.00	1.00	EHD4X48A**	*9MPV100	1.00	0.96
ENH4X43*21**	*8MX*0902116**	1.00	0.96	EHD4X48A**	*9MPV125	1.00	0.96
ENH4X43*21**	*8MX*1102120**	1.00	0.92	EN(A,D)4X43*24**	*9MV*1002116A**	1.01	0.94
ENH4X43*21**	*8MX*1352420**	1.00	0.92	ED*4X42J**	*9MVX080	0.98	0.93
ENH4X43*21**	*9MA*0601714A**	1.00	0.96	EN(A,D)4X48*24**	*9MVX080	1.01	0.97
ENH4X43*21**	*9MA*0801714A**	1.00	0.93	ED*4X48L**	*9MVX100	1.00	0.96
ENH4X43*21**	*9MA*1202422A**	1.01	0.93	ED*4X48J**	*9MX*1002116A**	1.00	0.96
ENH4X43*21**	*9MV*0601714A**	1.01	0.98	ENH4X48*21**	*9MX*1002116A**	1.00	0.96
ENH4X43*21**	*9MV*0801716A**	1.01	0.97	EN(A,D)4X48*24**	OLV112A16A	1.00	0.96
ENH4X43*21**	*9MV*1202422A**	1.01	0.93	ENH4X48*21**	OLV154F20A	1.02	0.98
ENH4X43*21**	*9MX*0601714A**	1.01	0.97	EA*4X42*21A*	-	0.99	1.01
ENH4X43*21**	*9MX*0801716A**	1.01	0.95	ED*4X48J**	-	1.00	1.00
ENH4X48*21**	*8MV*0701412**	0.98	0.93	ENH4X42*21**	NOMV156E19*	0.96	0.92
ENH4X48*21**	*8MV*0901716**	1.00	0.96	ED*4X48J**	*8MPV100	1.00	0.96
ENH4X48*21**	*8MV*1102120**	1.00	0.96	ED*4X48J**	*9MA*1002120A**	0.99	0.94
ENH4X48*21**	*8MV*1352422**	1.00	0.96	EHD4X48A**	*9MPV075	1.00	1.00
ENH4X48*21**	*8MX*0701716**	1.00	1.00	EN(A,D)4X43*24**	*9MPV100	1.02	0.94
ENH4X48*21**	*8MX*0902116**	1.00	0.96	EN(A,D)4X43*24**	*9MPV125	1.02	0.94
ENH4X48*21**	*8MX*1102120**	1.00	0.96	EN(A,D)4X48*24**	*9MV*1002116A**	1.00	0.96
ENH4X48*21**	*8MX*1352420**	1.00	0.96	ED*4X48J**	*9MVX080	1.00	0.96
ENH4X48*21**	*9MA*0801714A**	0.99	0.94	EHD4X42A**	*9MVX100	0.98	0.93
ENH4X48*21**	*9MA*1202422A**	1.00	0.93	ED*4X48L**	*9MX*1002116A**	1.00	0.96
ENH4X48*21**	*9MV*0601714A**	1.00	0.96	ED*4X42L**	OLV112A16A	0.99	0.99
ENH4X48*21**	*9MV*0801716A**	1.00	0.96	EN(A,D,W)4X48*21**	OLV112A16A	1.00	0.96
ENH4X48*21**	*9MV*1202422A**	1.00	0.93	ED*4X48F**	OMV112K14A	1.00	0.96
ENH4X48*21**	*9MX*0601714A**	1.00	0.96	EA*4X42*24A*	-	0.99	1.01
ENH4X48*21**	*9MX*0801716A**	1.00	0.96	ED*4X48L**	-	1.00	1.00
FEM4P42**A*	-	1.00	1.00	ENH4X42*21**	*9MX*1202422A**	0.99	0.94

COOLING Multiplying Factors for other Indoor Combinations

Indoor Model	Furnace Model	CAPACITY (MBh)	Power (AMPS)	Indoor Model	Furnace Model	CAPACITY (MBh)	Power (AMPS)
FEM4P42**A*	-	1.00	0.96	ENH4X43*21**	*9MX*1202422A**	1.02	0.94
FEM4P48**A*	-	1.00	1.00	ENH4X48*21**	*9MX*1202422A**	1.01	0.94
FEM4P48**A*	-	1.00	0.96	ED*4X42F**	MV12F19**B*	0.98	0.93
FEM4X42****	-	1.00	0.96	ED*4X48F**	MV12F19**B*	1.00	0.92
FEM4X48****	-	1.00	0.92	EHD4X42A**	MV12F19**B*	0.98	0.93
FS(M,U)4P42**A*	-	1.00	1.00	EHD4X48A**	MV12F19**B*	1.00	0.92
FS(M,U)4P48**A*	-	1.00	1.00	ED*4X42J**	MV16J22**B*	0.98	0.93
FS(M,U)4P48**A*	-	1.00	1.00	ED*4X48J**	MV16J22**B*	1.00	0.96
FS(M,U)4X42****	-	0.98	0.98	EHD4X42A**	MV16J22**B*	0.98	0.93
FS(M,U)4X48****	-	1.00	1.00	EHD4X48A**	MV16J22**B*	1.00	0.92
FVM4X36****	-	0.98	0.93	ED*4X42L**	MV20L24**B*	0.98	0.93
FVM4X48****	-	1.00	0.92	ED*4X48L**	MV20L24**B*	1.00	0.96
FVM4X60****	-	1.02	0.92	EHD4X42A**	MV20L24**B*	0.98	0.93
FXM4X42**A*	-	1.00	0.96	EHD4X48A**	MV20L24**B*	1.00	0.92
FXM4X48**A*	-	1.00	0.92	ED*4X42J**	NOMV156E19*	0.96	0.92
FXM4X60**A*	-	1.02	0.92	ED*4X48J**	NOMV156E19*	0.98	0.93
-	-	-	-	ENH4X48*21**	-	1.00	1.00

COOLING Multiplying Factors for other Indoor Combinations

Indoor Model	Furnace Model	CAPACITY (MBh)	Power (AMPS)	Indoor Model	Furnace Model	CAPACITY (MBh)	Power (AMPS)
N4H348							
*FS(M,U)4P48**A*	-	1.00	1.00	EHD4X60A**	*8MPV125	1.00	0.96
EA*4X48*21A*	-	0.98	0.96	EHD4X60A**	*9MPV100	1.00	0.96
EA*4X48*24A*	*8MX*1352420**	0.98	0.90	EHD4X60A**	*9MPV125	1.00	0.96
EA*4X48*24A*	*8MV*1352422**	0.98	0.90	EHD4X60A**	MV16J22**B*	1.00	0.96
EA*4X48*24A*	-	0.98	0.96	EHD4X60A**	MV20L24**B*	1.00	0.96
EA*4X60*21A*	*8MX*0902116**	1.00	0.92	EN(A,D)4X48*24**	*8MX*1352420**	0.98	0.94
EA*4X60*21A*	*8MX*1102120**	1.00	0.90	EN(A,D)4X48*24**	*8MV*1352422**	0.98	0.94
EA*4X60*21A*	*8MV*1102120**	1.00	0.92	EN(A,D)4X48*24**	*9MVX080	0.99	0.95
EA*4X60*21A*	*9MV*1002120A**	1.00	0.92	EN(A,D)4X48*24**	*9MVX100	0.99	0.95
EA*4X60*21A*	-	1.01	0.97	EN(A,D)4X48*24**	OLV154F20A	1.00	0.96
EA*4X60*24A*	*8MX*1352420**	1.00	0.92	EN(A,D)4X48*24**	-	0.98	0.98
EA*4X60*24A*	*8MV*1352422**	1.00	0.90	EN(A,D)4X48*24**	*9MPV100	0.99	0.95
EA*4X60*24A*	*9MX*1202422A**	1.00	0.93	EN(A,D)4X48*24**	*9MPV125	0.99	0.95
EA*4X60*24A*	*9MV*0802120A**	1.00	0.92	EN(A,D)4X61*24**	*8MX*1352420**	1.00	0.96

COOLING Multiplying Factors for other Indoor Combinations

Indoor Model	Furnace Model	CAPACITY (MBh)	Power (AMPS)	Indoor Model	Furnace Model	CAPACITY (MBh)	Power (AMPS)
EA*4X60*24A*	*9MV*1002120A**	1.00	0.92	EN(A,D)4X61*24**	*8MV*1352422**	1.00	0.96
EA*4X60*24A*	*9MV*1202422A**	1.00	0.93	EN(A,D)4X61*24**	*9MX*1202422A**	1.02	0.95
EA*4X60*24A*	-	1.01	0.97	EN(A,D)4X61*24**	*9MV*1202422A**	1.01	0.93
ED*4X48F**	*8MV*0901716**	0.98	0.94	EN(A,D)4X61*24**	*9MA*1202422A**	1.00	0.92
ED*4X48F**	-	0.98	0.98	EN(A,D)4X61*24**	*9MVX080	1.02	0.98
ED*4X48J**	*8MX*0902116**	0.98	0.94	EN(A,D)4X61*24**	*9MVX100	1.02	0.94
ED*4X48J**	*8MX*1102120**	0.98	0.94	EN(A,D)4X61*24**	*9MX*1002116A**	1.01	0.97
ED*4X48J**	*8MV*1102120**	0.98	0.94	EN(A,D)4X61*24**	*9MV*1002116A**	1.00	0.93
ED*4X48J**	NOMV156E19*	0.98	0.94	EN(A,D)4X61*24**	*9MA*1002120A**	1.00	0.93
ED*4X48J**	*9MVX080	0.98	0.98	EN(A,D)4X61*24**	OLV112A16A	1.01	0.97
ED*4X48J**	-	0.98	0.98	EN(A,D)4X61*24**	OLV154F20A	1.02	0.98
ED*4X48J**	*8MPV100	0.98	0.94	EN(A,D)4X61*24**	-	1.00	1.00
ED*4X48J**	*8MPV125	0.98	0.94	EN(A,D)4X61*24**	*9MPV100	1.02	0.98
ED*4X48J**	*9MPV100	0.98	0.98	EN(A,D)4X61*24**	*9MPV125	1.02	0.94
ED*4X48J**	MV16J22**B*	0.98	0.94	EN(A,D,W)4X48*21**	*8MX*0902116**	0.98	0.94
ED*4X48L**	*8MX*1352420**	0.98	0.94	EN(A,D,W)4X48*21**	*8MX*1102120**	0.98	0.94
ED*4X48L**	*8MV*1352422**	0.98	0.94	EN(A,D,W)4X48*21**	*8MV*1102120**	0.98	0.94
ED*4X48L**	*9MVX100	0.98	0.94	EN(A,D,W)4X48*21**	NOMV156E19*	0.98	0.94
ED*4X48L**	OLV154F20A	1.00	0.96	EN(A,D,W)4X48*21**	*9MVX080	0.99	0.95
ED*4X48L**	-	0.98	0.98	EN(A,D,W)4X48*21**	-	0.98	0.98
ED*4X48L**	*9MPV125	0.98	0.94	EN(A,D,W)4X48*21**	*9MPV100	0.99	0.95
ED*4X48L**	MV20L24**B*	0.98	0.94	EN(A,D,W)4X60*24**	*8MX*1352420**	1.00	0.96
ED*4X60J**	*8MX*0902116**	1.00	0.96	EN(A,D,W)4X60*24**	*8MV*1352422**	1.00	0.96
ED*4X60J**	*8MX*1102120**	1.00	0.96	EN(A,D,W)4X60*24**	*9MX*1202422A**	1.00	0.93
ED*4X60J**	*8MV*1102120**	1.00	0.96	EN(A,D,W)4X60*24**	*9MV*0802120A**	1.00	0.92
ED*4X60J**	*9MX*0802120A**	1.00	0.92	EN(A,D,W)4X60*24**	*9MV*1002120A**	1.00	0.90
ED*4X60J**	*9MX*1002120A**	1.00	0.92	EN(A,D,W)4X60*24**	*9MV*1202422A**	1.00	0.93
ED*4X60J**	*9MX*1202422A**	1.00	0.93	EN(A,D,W)4X60*24**	*9MVX080	1.01	0.97
ED*4X60J**	*9MV*1002120A**	1.00	0.92	EN(A,D,W)4X60*24**	*9MVX100	1.00	0.96
ED*4X60J**	*9MV*1202422A**	1.00	0.93	EN(A,D,W)4X60*24**	OLV154F20A	1.02	0.98
ED*4X60J**	*9MA*1002122A**	1.00	0.90	EN(A,D,W)4X60*24**	-	1.00	1.00
ED*4X60J**	NOMV156E19*	0.98	0.94	EN(A,D,W)4X60*24**	*9MPV100	1.01	0.97
ED*4X60J**	*9MVX080	1.00	0.96	EN(A,D,W)4X60*24**	*9MPV125	1.01	0.97
ED*4X60J**	-	1.00	1.00	ENH4X48*21**	*8MX*0902116**	0.98	0.94
ED*4X60J**	*8MPV100	1.00	0.96	ENH4X48*21**	*8MX*1102120**	0.98	0.94

COOLING Multiplying Factors for other Indoor Combinations

Indoor Model	Furnace Model	CAPACITY (MBh)	Power (AMPS)	Indoor Model	Furnace Model	CAPACITY (MBh)	Power (AMPS)
ED*4X60J**	*8MPV125	1.00	0.96	ENH4X48*21**	*8MX*1352420**	0.98	0.94
ED*4X60J**	*9MPV100	1.00	0.96	ENH4X48*21**	*8MV*0901716**	0.98	0.94
ED*4X60J**	MV16J22**B*	1.00	0.96	ENH4X48*21**	*8MV*1102120**	0.98	0.94
ED*4X60L**	*8MX*1352420**	1.00	0.96	ENH4X48*21**	*8MV*1352422**	0.98	0.94
ED*4X60L**	*8MX*1352420**	1.00	0.96	ENH4X48*21**	NOMV156E19*	0.98	0.94
ED*4X60L**	*8MV*1352422**	1.00	0.96	ENH4X48*21**	*9MVX080	0.99	0.95
ED*4X60L**	*8MV*1352422**	1.00	0.96	ENH4X48*21**	*9MVX100	0.99	0.95
ED*4X60L**	*9MX*0802120A**	1.00	0.92	ENH4X48*21**	OLV154F20A	1.00	0.96
ED*4X60L**	*9MX*1002120A**	1.00	0.92	ENH4X48*21**	-	0.98	0.98
ED*4X60L**	*9MX*1202422A**	1.00	0.93	ENH4X48*21**	*9MPV100	0.99	0.95
ED*4X60L**	*9MX*1202422A**	1.00	0.93	ENH4X48*21**	*9MPV125	0.99	0.95
ED*4X60L**	*9MV*0802120A**	1.00	0.92	ENH4X60*24**	*8MX*0701716**	1.00	1.00
ED*4X60L**	*9MV*1002120A**	1.00	0.92	ENH4X60*24**	*8MX*0902116**	1.00	0.96
ED*4X60L**	*9MV*1202422A**	1.00	0.93	ENH4X60*24**	*8MX*1102120**	1.00	0.96
ED*4X60L**	*9MA*1002122A**	1.00	0.90	ENH4X60*24**	*8MX*1352420**	1.00	0.96
ED*4X60L**	*9MVX100	1.00	0.96	ENH4X60*24**	*8MV*0901716**	1.00	0.96
ED*4X60L**	OLV154F20A	1.02	0.98	ENH4X60*24**	*8MV*1102120**	1.00	0.96
ED*4X60L**	-	1.00	1.00	ENH4X60*24**	*8MV*1352422**	1.00	0.96
ED*4X60L**	*9MPV125	1.00	0.96	ENH4X60*24**	*9MX*1202422A**	1.00	0.93
ED*4X60L**	MV20L24**B*	1.00	0.96	ENH4X60*24**	*9MV*0802120A**	1.00	0.92
EHD4X48A**	*8MX*0902116**	0.98	0.94	ENH4X60*24**	*9MV*1002120A**	1.00	0.90
EHD4X48A**	*8MX*1102120**	0.98	0.94	ENH4X60*24**	*9MV*1202422A**	1.00	0.93
EHD4X48A**	*8MX*1352420**	0.98	0.94	ENH4X60*24**	NOMV156E19*	0.98	0.94
EHD4X48A**	*8MV*0901716**	0.98	0.94	ENH4X60*24**	*9MVX080	1.01	0.97
EHD4X48A**	*8MV*1102120**	0.98	0.94	ENH4X60*24**	*9MVX100	1.00	0.96
EHD4X48A**	*8MV*1352422**	0.98	0.94	ENH4X60*24**	OLV154F20A	1.02	0.98
EHD4X48A**	NOMV156E19*	0.98	0.94	ENH4X60*24**	-	1.00	1.00
EHD4X48A**	*9MVX080	0.98	0.94	ENH4X60*24**	*9MPV100	1.01	0.97
EHD4X48A**	*9MVX100	0.98	0.94	ENH4X60*24**	*9MPV125	1.01	0.97
EHD4X48A**	OLV154F20A	1.01	0.97	ENH4X61*24**	*8MX*0701716**	1.00	1.00
EHD4X48A**	-	0.98	0.98	ENH4X61*24**	*8MX*0902116**	1.00	0.96
EHD4X48A**	*8MPV100	0.98	0.94	ENH4X61*24**	*8MX*1102120**	1.00	0.96
EHD4X48A**	*8MPV125	0.98	0.94	ENH4X61*24**	*8MX*1352420**	1.00	0.96
EHD4X48A**	*9MPV100	0.98	0.94	ENH4X61*24**	*8MV*0901716**	1.00	0.96
EHD4X48A**	*9MPV125	0.98	0.94	ENH4X61*24**	*8MV*1102120**	1.00	0.96

COOLING Multiplying Factors for other Indoor Combinations

Indoor Model	Furnace Model	CAPACITY (MBh)	Power (AMPS)	Indoor Model	Furnace Model	CAPACITY (MBh)	Power (AMPS)
EHD4X48A**	MV16J22**B*	0.98	0.94	ENH4X61*24**	*8MV*1352422**	1.00	0.96
EHD4X48A**	MV20L24**B*	0.98	0.94	ENH4X61*24**	*9MX*1202422A**	1.01	0.94
EHD4X60A**	*8MX*0701716**	1.00	1.00	ENH4X61*24**	*9MV*1202422A**	1.00	0.93
EHD4X60A**	*8MX*0902116**	1.00	0.96	ENH4X61*24**	NOMV156E19*	1.00	0.96
EHD4X60A**	*8MX*1102120**	1.00	0.96	ENH4X61*24**	*9MVX080	1.01	0.97
EHD4X60A**	*8MX*1352420**	1.00	0.96	ENH4X61*24**	*9MVX100	1.01	0.97
EHD4X60A**	*8MV*0901716**	1.00	0.96	ENH4X61*24**	OLV154F20A	1.02	0.98
EHD4X60A**	*8MV*1102120**	1.00	0.96	ENH4X61*24**	-	1.00	1.00
EHD4X60A**	*8MV*1352422**	1.00	0.96	ENH4X61*24**	*9MPV100	1.01	0.97
EHD4X60A**	*9MX*1202422A**	1.01	0.94	ENH4X61*24**	*9MPV125	1.01	0.97
EHD4X60A**	*9MV*0802120A**	1.00	0.92	FEM4P48**A*	-	0.98	0.98
EHD4X60A**	*9MV*1002120A**	1.01	0.91	FEM4P48**A*	-	0.98	0.98
EHD4X60A**	*9MV*1202422A**	1.01	0.94	FEM4P60**A*	-	1.00	1.00
EHD4X60A**	NOMV156E19*	1.00	0.96	FEM4P60**A*	-	1.00	0.96
EHD4X60A**	*9MVX080	1.00	0.96	FEM4X48****	-	1.00	0.96
EHD4X60A**	*9MVX100	1.00	0.96	FEM4X60****	-	1.00	0.96
EHD4X60A**	*9MV*1002116A**	1.01	0.98	FS(M,U)4P48**A*	-	1.00	1.00
EHD4X60A**	OLV112A16A	1.00	0.96	FS(M,U)4X48****	-	0.98	0.98
EHD4X60A**	OLV154F20A	1.02	0.98	FS(M,U)4X60**A*	-	1.00	1.00
EHD4X60A**	-	1.00	1.00	FVM4X48****	-	0.98	0.94
EHD4X60A**	*8MPV100	1.00	0.96	FVM4X60****	-	1.00	0.92
				FXM4X48**A*	-	1.00	0.96
				FXM4X60**A*	-	1.00	0.92

COOLING Multiplying Factors for other Indoor Combinations

Indoor Model	Furnace Model	CAPACITY (MBh)	Power (AMPS)	Indoor Model	Furnace Model	CAPACITY (MBh)	Power (AMPS)
N4H360							
*FS(M,U)4X60****	-	1.00	1.00	EHD4X60A**	*9MA*1002122A**	1.00	0.96
EA*4X60*21A*	*8MX*1102120**	0.99	0.97	EHD4X60A**	*9MA*1202422A**	0.99	0.97
EA*4X60*21A*	*8MV*1102120**	0.99	0.99	EHD4X60A**	-	1.00	1.00
EA*4X60*21A*	*9MX*0802120A**	0.98	0.97	EHD4X60A**	*8MPV125	1.00	0.98
EA*4X60*21A*	*9MV*1002120A**	0.99	0.97	EHD4X60A**	MV16J22**B*	1.01	0.97
EA*4X60*21A*	*9MA*1002122A**	0.99	0.97	EHD4X60A**	MV20L24**B*	1.01	0.97
EA*4X60*21A*	-	0.99	0.99	EN(A,D)4X61*24**	*8MX*1352420**	1.01	0.97
EA*4X60*24A*	*8MX*1352420**	0.99	0.97	EN(A,D)4X61*24**	*8MV*1352422**	1.01	0.97

COOLING Multiplying Factors for other Indoor Combinations

Indoor Model	Furnace Model	CAPACITY (MBh)	Power (AMPS)	Indoor Model	Furnace Model	CAPACITY (MBh)	Power (AMPS)
EA*4X60*24A*	*8MV*1352422**	0.99	0.97	EN(A,D)4X61*24**	*9MX*1202422A**	1.00	0.98
EA*4X60*24A*	*9MX*0802120A**	0.99	0.97	EN(A,D)4X61*24**	*9MV*1202422A**	1.00	0.96
EA*4X60*24A*	*9MX*1002120A**	0.99	0.97	EN(A,D)4X61*24**	*9MA*1202422A**	1.00	0.96
EA*4X60*24A*	*9MX*1202422A**	0.99	0.97	EN(A,D)4X61*24**	-	1.01	0.99
EA*4X60*24A*	*9MV*1002120A**	0.99	0.97	EN(A,D,W)4X60*24**	*8MX*1352420**	0.99	0.97
EA*4X60*24A*	*9MV*1202422A**	0.99	0.97	EN(A,D,W)4X60*24**	*8MV*1352422**	0.99	0.97
EA*4X60*24A*	*9MA*0802120A**	0.98	0.97	EN(A,D,W)4X60*24**	*9MX*0802120A**	0.98	0.97
EA*4X60*24A*	*9MA*1002122A**	0.99	0.97	EN(A,D,W)4X60*24**	*9MX*1002120A**	0.99	0.99
EA*4X60*24A*	*9MA*1202422A**	0.99	0.97	EN(A,D,W)4X60*24**	*9MX*1202422A**	0.98	0.97
EA*4X60*24A*	-	0.99	0.99	EN(A,D,W)4X60*24**	*9MV*1002120A**	0.99	0.97
ED*4X60J**	*8MX*0902116**	0.99	0.97	EN(A,D,W)4X60*24**	*9MV*1202422A**	0.98	0.97
ED*4X60J**	*8MX*1102120**	1.00	0.98	EN(A,D,W)4X60*24**	*9MA*0802120A**	0.98	0.97
ED*4X60J**	*8MV*1102120**	0.99	0.97	EN(A,D,W)4X60*24**	*9MA*1002122A**	0.99	0.97
ED*4X60J**	*9MX*0802120A**	0.98	0.97	EN(A,D,W)4X60*24**	*9MA*1202422A**	0.98	0.97
ED*4X60J**	*9MV*1002120A**	0.99	0.97	EN(A,D,W)4X60*24**	-	0.99	0.99
ED*4X60J**	*9MA*1002122A**	0.99	0.97	ENH4X60*24**	*8MX*0902116**	0.98	0.97
ED*4X60J**	-	0.99	0.99	ENH4X60*24**	*8MX*1102120**	0.99	0.97
ED*4X60J**	*8MPV125	1.00	0.98	ENH4X60*24**	*8MX*1352420**	0.99	0.97
ED*4X60J**	MV16J22**B*	1.01	0.97	ENH4X60*24**	*8MV*1102120**	0.99	0.97
ED*4X60L**	*8MX*1352420**	0.99	0.97	ENH4X60*24**	*8MV*1352422**	0.99	0.97
ED*4X60L**	*8MV*1352422**	0.99	0.97	ENH4X60*24**	*9MX*0802120A**	0.98	0.97
ED*4X60L**	*9MX*0802120A**	0.99	0.97	ENH4X60*24**	*9MX*1002120A**	0.99	0.99
ED*4X60L**	*9MX*1002120A**	0.99	0.97	ENH4X60*24**	*9MX*1202422A**	0.98	0.97
ED*4X60L**	*9MX*1202422A**	0.99	0.97	ENH4X60*24**	*9MV*1002120A**	0.99	0.97
ED*4X60L**	*9MV*1002120A**	0.99	0.97	ENH4X60*24**	*9MV*1202422A**	0.98	0.97
ED*4X60L**	*9MV*1202422A**	0.99	0.97	ENH4X60*24**	*9MA*0802120A**	0.98	0.97
ED*4X60L**	*9MA*1002122A**	0.99	0.97	ENH4X60*24**	*9MA*1002122A**	0.99	0.97
ED*4X60L**	*9MA*1202422A**	0.99	0.97	ENH4X60*24**	*9MA*1202422A**	0.98	0.97
ED*4X60L**	-	0.99	0.99	ENH4X61*24**	-	0.99	0.99
ED*4X60L**	MV20L24**B*	1.01	0.97	ENH4X61*24**	*8MX*1102120**	1.00	0.96
EHD4X60A**	*8MX*0902116**	0.99	0.97	ENH4X61*24**	*8MX*1352420**	0.99	0.97
EHD4X60A**	*8MX*1102120**	1.00	0.98	ENH4X61*24**	*8MV*1102120**	1.00	0.98
EHD4X60A**	*8MX*1352420**	1.00	0.98	ENH4X61*24**	*8MV*1352422**	1.00	0.98
EHD4X60A**	*8MV*1102120**	1.00	0.98	ENH4X61*24**	*9MX*1202422A**	0.99	0.97
EHD4X60A**	*8MV*1202422A**	1.00	0.98	ENH4X61*24**	*9MV*1202422A**	0.99	0.97

COOLING Multiplying Factors for other Indoor Combinations

Indoor Model	Furnace Model	CAPACITY (MBh)	Power (AMPS)	Indoor Model	Furnace Model	CAPACITY (MBh)	Power (AMPS)
EHD4X60A**	*8MV*1352422**	1.00	0.96	ENH4X61*24**	*9MA*1202422A**	0.99	0.97
EHD4X60A**	*9MX*0802120A**	0.99	0.97	ENH4X61*24**	-	1.00	0.98
EHD4X60A**	*9MX*1002120A**	1.00	0.98	FEM4P60**A*	-	0.99	0.99
EHD4X60A**	*9MX*1202422A**	0.99	0.97	FEM4X48****	-	0.98	0.97
EHD4X60A**	*9MV*1002120A**	1.00	0.98	FEM4X60****	-	1.01	0.97
EHD4X60A**	*9MV*1202422A**	0.99	0.97	FS(M,U)4X60**A*	-	1.00	1.00
EHD4X60A**	*9MA*0802120A**	0.99	0.97	FVM4X60****	-	1.02	0.96
-	-	-	-	FXM4X60**A*	-	1.01	0.95

HEATING Multiplying Factors for other Indoor Combinations

Indoor Model	Furnace Model	CAPACITY (MBh)	Power (AMPS)	Indoor Model	Furnace Model	CAPACITY (MBh)	Power (AMPS)
N4H318							
*FS(M,U)4P18**A*	-	1.00	1.00	EHD4X30A**	*9MV*1002120A**	0.98	0.89
EA*4X18*14A*	*8MX*0451408**	0.98	0.98	EMA4X24D**	-	0.99	0.99
EA*4X18*14A*	*8MV*0701412**	0.97	0.99	EN(A,D)4X18*14**	*8MX*0451408**	0.98	0.96
EA*4X24*14A*	*8MX*0451408**	0.99	0.95	EN(A,D)4X18*14**	*8MV*0701412**	0.98	0.97
EA*4X24*14A*	*8MV*0701412**	0.98	0.97	EN(A,D)4X18*14**	*9MV*0401410A**	0.99	0.99
EA*4X24*14A*	*9MX*0401410A**	0.99	0.98	EN(A,D)4X19*17**	*8MV*0901716**	0.98	0.94
EA*4X24*14A*	*9MV*0401410A**	0.99	0.98	EN(A,D)4X19*17**	*9MX*0401410A**	0.99	0.96
EA*4X24*17A*	*8MV*0901716**	0.98	0.96	EN(A,D)4X19*17**	*9MV*0401410A**	1.01	0.96
EA*4X24*17A*	*9MX*0401410A**	0.99	0.98	EN(A,D)4X19*17**	*9MV*0601714A**	1.00	0.92
EA*4X24*17A*	*9MV*0401410A**	0.99	0.98	EN(A,D)4X19*17**	*9MV*0801716A**	1.00	0.9
EA*4X24*17A*	*9MV*0601714A**	0.99	0.94	EN(A,D)4X19*17**	*9MA*0601714A**	0.99	0.95
EA*4X24*17A*	*9MV*0801716A**	1.00	0.93	EN(A,D)4X19*17**	*9MA*0801714A**	0.98	0.95
EA*4X24*17A*	*9MA*0601714A**	0.98	0.97	EN(A,D)4X19*17**	NOMV106D12*	0.98	0.93
EA*4X24*17A*	*9MA*0801714A**	0.98	0.97	EN(A,D)4X19*17**	OLV098A12A	1.00	0.92
ED*4X18B**	*8MX*0451408**	0.98	0.98	EN(A,D)4X19*17**	OMV098J12A	1.00	0.91
ED*4X18B**	*8MV*0701412**	0.97	0.99	EN(A,D)4X19*17**	-	1.01	1.00
ED*4X18B**	*8MPV050	0.99	0.97	EN(A,D)4X24*14**	*8MX*0451408**	0.98	0.94
ED*4X18B**	MV08B15**B*	0.97	0.97	EN(A,D)4X24*14**	*8MV*0701412**	0.98	0.96
ED*4X24B**	*8MX*0451408**	0.99	0.95	EN(A,D)4X24*14**	*9MX*0401410A**	0.99	0.98
ED*4X24B**	*8MV*0701412**	0.97	0.96	EN(A,D)4X24*14**	*9MV*0401410A**	1.00	0.98
ED*4X24B**	*9MX*0401410A**	0.99	0.98	EN(A,D)4X24*14**	-	1.00	1.00
ED*4X24B**	*9MV*0401410A**	0.99	0.98	EN(A,D)4X24*17**	*8MV*0901716**	0.98	0.95
ED*4X24B**	-	0.99	1.00	EN(A,D)4X24*17**	*9MX*0401410A**	0.99	0.98

HEATING Multiplying Factors for other Indoor Combinations

Indoor Model	Furnace Model	Indoor Model	Furnace Model	CAPACITY (MBh)	Power (AMPS)	Indoor Model	Furnace Model	CAPACITY (MBh)	Power (AMPS)
ED*4X24B**	*8MPV050	EN(A,D)4X24*17**	*9MV*0401410A**	0.99	0.93	EN(A,D)4X24*17**	*9MV*0401410A**	1.00	0.98
ED*4X24B**	MV08B15**B*	EN(A,D)4X24*17**	*9MV*0601714A**	0.97	0.93	EN(A,D)4X24*17**	*9MV*0601714A**	0.99	0.95
ED*4X24F**	*8MV*0901716**	EN(A,D)4X24*17**	*9MV*0801716A**	0.98	0.96	EN(A,D)4X24*17**	*9MV*0801716A**	0.99	0.94
ED*4X24F**	*9MV*0601714A**	EN(A,D)4X24*17**	*9MA*0601714A**	0.99	0.94	EN(A,D)4X24*17**	*9MA*0601714A**	0.99	0.96
ED*4X24F**	*9MV*0801716A**	EN(A,D)4X24*17**	*9MA*0801714A**	1.00	0.93	EN(A,D)4X24*17**	*9MA*0801714A**	0.98	0.96
ED*4X24F**	*9MV*0802120A**	EN(A,D)4X24*17**	NOMV106D12*	1.00	0.91	EN(A,D)4X24*17**	NOMV106D12*	0.98	0.95
ED*4X24F**	*9MV*1002120A**	EN(A,D)4X24*17**	*9MVX040	1.00	0.91	EN(A,D)4X24*17**	*9MVX040	1.02	0.94
ED*4X24F**	*9MA*0601714A**	EN(A,D)4X24*17**	OLV098A12A	0.98	0.97	EN(A,D)4X24*17**	OLV098A12A	1.00	0.94
ED*4X24F**	*9MA*0801714A**	EN(A,D)4X24*17**	OMV098J12A	0.98	0.97	EN(A,D)4X24*17**	OMV098J12A	1.01	0.94
ED*4X24F**	NOMV106D12*	EN(A,D)4X24*17**	-	0.98	0.95	EN(A,D)4X24*17**	-	1.01	1.01
ED*4X24F**	*9MVX040	EN(A,D)4X24*17**	*9MPV050	1.01	0.94	EN(A,D)4X24*17**	*9MPV050	1.02	0.94
ED*4X24F**	*9MVX060	ENH4X24*17**	*8MX*0451408**	0.99	0.92	ENH4X24*17**	*8MX*0451408**	0.98	0.94
ED*4X24F**	*9MV*1002116A**	ENH4X24*17**	*8MV*0701412**	1.00	0.92	ENH4X24*17**	*8MV*0701412**	0.98	0.96
ED*4X24F**	OLV098A12A	ENH4X24*17**	*8MV*0901716**	0.99	0.94	ENH4X24*17**	*8MV*0901716**	0.98	0.95
ED*4X24F**	OMV098J12A	ENH4X24*17**	*9MX*0401410A**	1.00	0.94	ENH4X24*17**	*9MX*0401410A**	0.99	0.98
ED*4X24F**	-	ENH4X24*17**	*9MV*0401410A**	0.99	1.00	ENH4X24*17**	*9MV*0401410A**	1.00	0.98
ED*4X24F**	*9MPV050	ENH4X24*17**	*9MV*0601714A**	0.99	0.92	ENH4X24*17**	*9MV*0601714A**	0.99	0.95
ED*4X24F**	*9MPV075	ENH4X24*17**	*9MV*0801716A**	0.99	0.92	ENH4X24*17**	*9MV*0801716A**	0.99	0.94
ED*4X24F**	*9MAC0602120A**	ENH4X24*17**	*9MV*1202422A**	0.98	0.96	ENH4X24*17**	*9MV*1202422A**	1.01	0.93
ED*4X30F**	*9MV*0802120A**	ENH4X24*17**	*9MA*0601714A**	0.96	0.88	ENH4X24*17**	*9MA*0601714A**	0.99	0.96
ED*4X30F**	*9MV*1002120A**	ENH4X24*17**	*9MA*0801714A**	0.96	0.88	ENH4X24*17**	*9MA*0801714A**	0.98	0.96
ED*4X30F**	*9MAC0602120A**	ENH4X24*17**	NOMV106D12*	0.98	0.94	ENH4X24*17**	NOMV106D12*	0.98	0.95
EHD4X24A**	*9MX*0401410A**	ENH4X24*17**	*9MVX040	0.98	0.99	ENH4X24*17**	*9MVX040	1.02	0.94
EHD4X24A**	*9MV*0401410A**	ENH4X24*17**	*9MV*1002116A**	0.99	0.98	ENH4X24*17**	*9MV*1002116A**	1.00	0.93
EHD4X24A**	*9MV*0601714A**	ENH4X24*17**	OLV098A12A	0.99	0.96	ENH4X24*17**	OLV098A12A	1.00	0.94
EHD4X24A**	*9MV*0801716A**	ENH4X24*17**	OMV098J12A	0.99	0.95	ENH4X24*17**	OMV098J12A	1.01	0.94
EHD4X24A**	*9MV*0802120A**	ENH4X24*17**	-	0.99	0.93	ENH4X24*17**	-	1.01	1.01
EHD4X24A**	*9MV*1002120A**	ENH4X24*17**	*9MPV050	0.99	0.93	ENH4X24*17**	*9MPV050	1.02	0.94
EHD4X24A**	*9MV*1202422A**	FEA4X18**A*	-	0.99	0.93	FEA4X18**A*	-	0.98	0.96
EHD4X24A**	*9MA*0601714A**	FEA4X24**A*	-	0.98	0.96	FEA4X24**A*	-	0.98	0.93
EHD4X24A**	*9MA*0801714A**	FEA4X30**A*	-	0.98	0.96	FEA4X30**A*	-	0.99	0.95
EHD4X24A**	*9MVX040	FEA4X36**A*	-	0.99	0.93	FEA4X36**A*	-	0.97	0.94
EHD4X24A**	*9MVX060	FEM4P18**A*	-	0.99	0.93	FEM4P18**A*	-	0.99	0.97
EHD4X24A**	*9MV*1002116A**	FEM4P18**A*	-	0.99	0.94	FEM4P18**A*	-	0.99	0.97
EHD4X24A**	OLV098A12A	FEM4P24**A*	-	0.99	0.94	FEM4P24**A*	-	0.99	0.97

HEATING Multiplying Factors for other Indoor Combinations						
Indoor Model	Furnace Model	CAPACITY (MBh)	Power (AMPS)	Indoor Model	Furnace Model	Power (AMPS)
EHD4X24A**	OMV098J12A	0.99	0.93	FEM4P24**A*	-	0.97
EHD4X24A**	-	0.99	0.99	FEM4X18***	-	0.96
EHD4X24A**	*8MPV050	0.99	0.93	FEM4X24***	-	0.92
EHD4X24A**	*9MPV050	0.99	0.93	FS(M,U)4P18**A*	-	1.01
EHD4X24A**	*9MPV075	0.99	0.93	FS(M,U)4P24**A*	-	0.99
EHD4X24A**	MV08B15**B*	0.97	0.92	FS(M,U)4P24**A*	-	0.98
EHD4X24A**	*8MX*0451408**	0.98	0.94	FS(M,U)4X18***	-	1.03
EHD4X24A**	*8MV*0701412**	0.98	0.96	FSA4X24**A*	-	1.02
EHD4X24A**	*8MV*0901716**	0.98	0.95	FVM4X24***	-	0.92
EHD4X24A**	NOMV106D12*	0.98	0.94	FXM4X18**A*	-	0.92
EHD4X30A**	*9MV*0802120A**	0.98	0.90	FXM4X24**A*	-	0.91
				FXM4X30**A*	-	0.95
HEATING Multiplying Factors for other Indoor Combinations						
Indoor Model	Furnace Model	CAPACITY (MBh)	Power (AMPS)	Indoor Model	Furnace Model	Power (AMPS)
N4H324						
*FS(M,U)4P24**A*	-	1.00	1.00	EHD4X30A**	OLV098A12A	0.99
EA*4X24*14A*	*8MX*0451408**	0.98	0.98	EHD4X30A**	OMV098J12A	0.97
EA*4X24*14A*	*8MV*0701412**	0.97	0.98	EHD4X30A**	*8MPV050	0.96
EA*4X24*14A*	*9MX*0401410A**	1.01	1.03	EHD4X30A**	*8MPV075	0.95
EA*4X24*17A*	*8MV*0901716**	0.97	0.97	EHD4X30A**	*8MPV100	0.93
EA*4X24*17A*	*9MX*0601714A**	0.97	0.97	EHD4X30A**	*8MPV125	0.92
EA*4X24*17A*	*9MV*0601714A**	0.97	0.98	EHD4X30A**	*9MPV050	0.98
EA*4X24*17A*	*9MV*0801716A**	0.97	0.97	EHD4X30A**	*9MPV075	0.97
EA*4X24*17A*	*9MA*0601714A**	0.97	0.98	EHD4X30A**	*9MPV100	0.94
EA*4X24*17A*	*9MA*0801714A**	0.97	0.98	EHD4X30A**	*9MPV125	0.94
EA*4X30*14A*	*8MX*0451408**	0.99	0.97	EHD4X30A**	MV08B15**B*	0.94
EA*4X30*14A*	*8MV*0701412**	0.97	0.97	EHD4X30A**	MV12F19**B*	0.94
EA*4X30*14A*	*9MX*0401410A**	1.01	1.01	EN(A,D)4X24*14**	*8MX*0451408**	0.98
EA*4X30*14A*	*9MV*0401410A**	0.99	1.01	EN(A,D)4X24*14**	*8MV*0701412**	0.97
EA*4X30*17A*	*8MV*0901716**	0.97	0.96	EN(A,D)4X24*14**	*9MX*0401410A**	1.01
EA*4X30*17A*	*9MX*0601714A**	0.98	0.97	EN(A,D)4X24*17**	*8MV*0901716**	0.97
EA*4X30*17A*	*9MA*0601714A**	0.98	0.98	EN(A,D)4X24*17**	*9MX*0601714A**	0.97
EA*4X30*17A*	*9MA*0801714A**	0.97	0.97	EN(A,D)4X24*17**	*9MV*0601714A**	0.98
ED*4X24B**	*8MX*0451408**	0.98	0.99	EN(A,D)4X24*17**	*9MV*0801716A**	0.97

HEATING Multiplying Factors for other Indoor Combinations

Indoor Model	Furnace Model	Indoor Model	Furnace Model	CAPACITY (MBh)	Power (AMPS)	Indoor Model	Furnace Model	CAPACITY (MBh)	Power (AMPS)
ED*4X24B**	*8MV*0701412**	EN(A,D)4X24*17**	*9MA*0601714A**	0.96	0.98	EN(A,D)4X24*17**	*9MA*0601714A**	0.98	0.98
ED*4X24B**	*8MPV050	EN(A,D)4X24*17**	*9MA*0801714A**	1.00	1.00	EN(A,D)4X24*17**	*9MA*0801714A**	0.97	0.97
ED*4X24B**	MV08B15**B*	EN(A,D)4X24*17**	NOMV106D12*	0.96	0.95	EN(A,D)4X24*17**	NOMV106D12*	0.96	0.97
ED*4X24F**	*8MV*0901716**	EN(A,D)4X24*17**	*9MVX040	0.96	0.97	EN(A,D)4X24*17**	*9MVX040	0.99	0.97
ED*4X24F**	*9MX*0601714A**	EN(A,D)4X24*17**	OLV098A12A	0.97	0.97	EN(A,D)4X24*17**	OLV098A12A	0.99	0.96
ED*4X24F**	*9MV*0601714A**	EN(A,D)4X24*17**	OMV098J12A	0.97	0.98	EN(A,D)4X24*17**	OMV098J12A	0.99	0.97
ED*4X24F**	*9MV*0801716A**	EN(A,D)4X24*17**	*9MPV050	0.97	0.97	EN(A,D)4X24*17**	*9MPV050	0.99	0.98
ED*4X24F**	*9MV*0802120A**	EN(A,D)4X30*14**	*8MX*0451408**	0.98	0.97	EN(A,D)4X30*14**	*8MX*0451408**	0.98	0.98
ED*4X24F**	*9MV*1002120A**	EN(A,D)4X30*14**	*8MV*0701412**	0.98	0.96	EN(A,D)4X30*14**	*8MV*0701412**	0.96	0.98
ED*4X24F**	*9MA*0601714A**	EN(A,D)4X30*14**	*9MX*0401410A**	0.97	0.98	EN(A,D)4X30*14**	*9MX*0401410A**	1.01	1.02
ED*4X24F**	*9MA*0801714A**	EN(A,D)4X30*14**	*9MV*0401410A**	0.97	0.98	EN(A,D)4X30*14**	*9MV*0401410A**	0.99	1.01
ED*4X24F**	*9MA*0802120A**	EN(A,D)4X30*17**	*8MV*0901716**	0.98	0.96	EN(A,D)4X30*17**	*8MV*0901716**	0.96	0.96
ED*4X24F**	*9MA*1002122A**	EN(A,D)4X30*17**	*9MX*0601714A**	0.98	0.96	EN(A,D)4X30*17**	*9MX*0601714A**	0.98	0.97
ED*4X24F**	NOMV106D12*	EN(A,D)4X30*17**	*9MV*0401410A**	0.96	0.98	EN(A,D)4X30*17**	*9MV*0401410A**	1.00	1.01
ED*4X24F**	*9MVX040	EN(A,D)4X30*17**	*9MV*0601714A**	0.98	0.98	EN(A,D)4X30*17**	*9MV*0601714A**	0.98	0.97
ED*4X24F**	*9MVX060	EN(A,D)4X30*17**	*9MV*0801716A**	0.98	0.97	EN(A,D)4X30*17**	*9MV*0801716A**	0.98	0.96
ED*4X24F**	*9MV*1002116A**	EN(A,D)4X30*17**	*9MA*0601714A**	0.97	0.98	EN(A,D)4X30*17**	*9MA*0601714A**	0.98	0.98
ED*4X24F**	*9MA*1002120A**	EN(A,D)4X30*17**	*9MA*0801714A**	0.98	0.97	EN(A,D)4X30*17**	*9MA*0801714A**	0.97	0.97
ED*4X24F**	OLV098A12A	EN(A,D)4X30*17**	NOMV106D12*	0.98	0.97	EN(A,D)4X30*17**	NOMV106D12*	0.96	0.97
ED*4X24F**	OMV098J12A	EN(A,D)4X30*17**	*9MVX040	0.98	0.97	EN(A,D)4X30*17**	*9MVX040	0.99	0.97
ED*4X24F**	*8MPV075	EN(A,D)4X30*17**	*9MVX060	1.00	0.97	EN(A,D)4X30*17**	*9MVX060	1.00	0.96
ED*4X24F**	*9MPV050	EN(A,D)4X30*17**	OLV098A12A	0.98	0.99	EN(A,D)4X30*17**	OLV098A12A	0.98	0.96
ED*4X24F**	*9MPV075	EN(A,D)4X30*17**	OMV098J12A	0.98	0.98	EN(A,D)4X30*17**	OMV098J12A	0.99	0.97
ED*4X24F**	MV12F19**B*	EN(A,D)4X30*17**	*9MPV050	0.96	0.95	EN(A,D)4X30*17**	*9MPV050	0.99	0.97
ED*4X24F**	*9MAC0602120A**	EN(A,D)4X30*17**	*9MPV075	0.98	0.98	EN(A,D)4X30*17**	*9MPV075	1.00	0.97
ED*4X30B**	*8MX*0451408**	EN(A,D)4X31*17**	*8MV*0901716**	0.98	0.98	EN(A,D)4X31*17**	*8MV*0901716**	0.98	0.94
ED*4X30B**	*8MV*0701412**	EN(A,D)4X31*17**	*9MX*0401410A**	0.96	0.98	EN(A,D)4X31*17**	*9MX*0401410A**	1.00	0.97
ED*4X30B**	*9MV*0401410A**	EN(A,D)4X31*17**	*9MX*0601714A**	0.99	1.01	EN(A,D)4X31*17**	*9MX*0601714A**	0.98	0.92
ED*4X30B**	*8MPV050	EN(A,D)4X31*17**	*9MV*0401410A**	1.00	0.98	EN(A,D)4X31*17**	*9MV*0401410A**	1.00	0.97
ED*4X30B**	MV08B15**B*	EN(A,D)4X31*17**	*9MV*0601714A**	0.96	0.95	EN(A,D)4X31*17**	*9MV*0601714A**	0.98	0.93
ED*4X30F**	*8MV*0901716**	EN(A,D)4X31*17**	*9MV*0801716A**	0.96	0.96	EN(A,D)4X31*17**	*9MV*0801716A**	0.98	0.92
ED*4X30F**	*9MX*0601714A**	EN(A,D)4X31*17**	*9MA*0601714A**	0.98	0.97	EN(A,D)4X31*17**	*9MA*0601714A**	0.98	0.94
ED*4X30F**	*9MV*0601714A**	EN(A,D)4X31*17**	*9MV*0601714A**	0.98	0.97	EN(A,D)4X31*17**	*9MV*0601714A**	0.98	0.94
ED*4X30F**	*9MV*0801716A**	EN(A,D)4X31*17**	*9MV*0801714A**	0.98	0.96	EN(A,D)4X31*17**	*9MV*0801714A**	0.98	0.95
ED*4X30F**	*9MV*0802120A**	ENH4X24*17**	*8MX*0451408**	0.98	0.95	ENH4X24*17**	*8MX*0451408**	0.97	0.97

HEATING Multiplying Factors for other Indoor Combinations

Indoor Model	Furnace Model	CAPACITY (MBh)	Power (AMPS)	Indoor Model	Furnace Model	CAPACITY (MBh)	Power (AMPS)
ED*4X30F**	*9MV*1002120A**	0.99	0.94	ENH4X24*17**	*8MV*0701412**	0.97	0.97
ED*4X30F**	*9MA*0601714A**	0.98	0.98	ENH4X24*17**	*8MV*0901716**	0.97	0.97
ED*4X30F**	*9MA*0801714A**	0.97	0.97	ENH4X24*17**	*8MV*1102120**	0.97	0.97
ED*4X30F**	*9MA*0802120A**	0.98	0.95	ENH4X24*17**	*8MV*1352422**	0.97	0.97
ED*4X30F**	*9MA*1002122A**	0.98	0.95	ENH4X24*17**	*9MX*0601714A**	0.97	0.97
ED*4X30F**	NOMV106D12*	0.96	0.97	ENH4X24*17**	*9MV*0601714A**	0.98	0.98
ED*4X30F**	*9MVX040	0.98	0.97	ENH4X24*17**	*9MV*0801716A**	0.98	0.97
ED*4X30F**	*9MVX060	0.98	0.96	ENH4X24*17**	*9MV*1202422A**	0.97	0.96
ED*4X30F**	*9MV*1002116A**	0.98	0.97	ENH4X24*17**	*9MA*0601714A**	0.98	0.98
ED*4X30F**	*9MA*1002120A**	0.98	0.96	ENH4X24*17**	*9MA*0801714A**	0.97	0.97
ED*4X30F**	OLV098A12A	0.98	0.96	ENH4X24*17**	*9MA*1202422A**	0.98	0.96
ED*4X30F**	OMV098J12A	0.99	0.97	ENH4X24*17**	NOMV106D12*	0.96	0.97
ED*4X30F**	*8MPV075	0.98	0.94	ENH4X24*17**	*9MVX040	0.99	0.97
ED*4X30F**	*9MPV050	0.98	0.97	ENH4X24*17**	*9MV*1002116A**	0.97	0.98
ED*4X30F**	*9MPV075	0.98	0.97	ENH4X24*17**	*9MA*1002120A**	0.99	0.96
ED*4X30F**	MV12F19**B*	0.96	0.94	ENH4X24*17**	OLV098A12A	0.99	0.96
ED*4X30F**	*9MAC0602120A**	0.98	0.97	ENH4X24*17**	OMV098J12A	0.99	0.97
EHD4X24A**	*9MX*0601714A**	0.97	0.98	ENH4X24*17**	*9MPV050	0.99	0.98
EHD4X24A**	*9MV*0601714A**	0.97	0.98	ENH4X30*17**	*8MX*0451408**	0.98	0.97
EHD4X24A**	*9MV*0801716A**	0.97	0.97	ENH4X30*17**	*8MV*0701412**	0.97	0.98
EHD4X24A**	*9MV*0802120A**	0.97	0.98	ENH4X30*17**	*8MV*0901716**	0.97	0.97
EHD4X24A**	*9MV*1002120A**	0.97	0.98	ENH4X30*17**	*8MV*1102120**	0.97	0.97
EHD4X24A**	*9MV*1202422A**	0.97	0.97	ENH4X30*17**	*8MV*1352422**	0.97	0.97
EHD4X24A**	*9MA*0601714A**	0.98	0.98	ENH4X30*17**	*9MX*0601714A**	0.98	0.97
EHD4X24A**	*9MA*0801714A**	0.97	0.97	ENH4X30*17**	*9MV*0401410A**	1.00	1.01
EHD4X24A**	*9MA*1202422A**	0.98	0.96	ENH4X30*17**	*9MV*0601714A**	0.98	0.97
EHD4X24A**	*9MVX040	0.98	0.98	ENH4X30*17**	*9MV*0801716A**	0.98	0.96
EHD4X24A**	*9MVX060	0.98	0.97	ENH4X30*17**	*9MV*1202422A**	0.98	0.95
EHD4X24A**	*9MVX080	1.00	0.96	ENH4X30*17**	*9MA*0601714A**	0.98	0.98
EHD4X24A**	*9MVX100	0.98	0.96	ENH4X30*17**	*9MA*0801714A**	0.97	0.97
EHD4X24A**	*9MV*1002116A**	0.96	0.99	ENH4X30*17**	*9MA*1202422A**	0.98	0.96
EHD4X24A**	*9MA*1002120A**	0.99	0.96	ENH4X30*17**	NOMV106D12*	0.96	0.97
EHD4X24A**	OLV098A12A	0.99	0.96	ENH4X30*17**	*9MVX040	0.99	0.97
EHD4X24A**	OMV098J12A	0.99	0.97	ENH4X30*17**	*9MVX060	1.00	0.96
EHD4X24A**	*8MPV050	1.00	0.99	ENH4X30*17**	*9MV*1002116A**	0.98	0.97

HEATING Multiplying Factors for other Indoor Combinations

Indoor Model	Furnace Model	CAPACITY (MBh)	Power (AMPS)	Indoor Model	Furnace Model	CAPACITY (MBh)	Power (AMPS)
EHD4X24A**	*8MPV075	1.00	0.98	ENH4X30*17**	*9MA*1002120A**	0.98	0.96
EHD4X24A**	*8MPV100	1.00	0.96	ENH4X30*17**	OLV098A12A	0.98	0.96
EHD4X24A**	*8MPV125	1.00	0.96	ENH4X30*17**	OMV098J12A	0.99	0.97
EHD4X24A**	*9MPV050	0.98	0.99	ENH4X30*17**	*9MPV050	0.99	0.97
EHD4X24A**	*9MPV075	0.98	0.99	ENH4X30*17**	*9MPV075	1.00	0.97
EHD4X24A**	*9MPV100	0.98	0.96	ENH4X31*17**	*8MX*0451408**	0.99	0.93
EHD4X24A**	*9MPV125	0.98	0.96	ENH4X31*17**	*8MV*0701412**	0.98	0.95
EHD4X24A**	MV08B15**B*	0.96	0.94	ENH4X31*17**	*8MV*0901716**	0.98	0.94
EHD4X24A**	MV12F19**B*	0.96	0.94	ENH4X31*17**	*8MV*1102120**	0.98	0.94
EHD4X24A**	*8MX*0451408**	0.98	0.98	ENH4X31*17**	*8MV*1352422**	0.98	0.94
EHD4X24A**	*8MV*0701412**	0.97	0.98	ENH4X31*17**	*9MX*0401410A**	1.00	0.97
EHD4X24A**	*8MV*0901716**	0.97	0.97	ENH4X31*17**	*9MX*0601714A**	0.98	0.92
EHD4X24A**	*8MV*1102120**	0.98	0.98	ENH4X31*17**	*9MV*0401410A**	1.00	0.97
EHD4X24A**	*8MV*1352422**	0.98	0.98	ENH4X31*17**	*9MV*0601714A**	0.98	0.93
EHD4X24A**	NOMV106D12*	0.96	0.97	ENH4X31*17**	*9MV*0801716A**	0.98	0.91
EHD4X30A**	*8MX*0451408**	0.98	0.97	ENH4X31*17**	*9MV*1202422A**	0.98	0.90
EHD4X30A**	*8MV*0701412**	0.96	0.97	ENH4X31*17**	*9MA*0601714A**	0.98	0.94
EHD4X30A**	*8MV*0901716**	0.96	0.96	ENH4X31*17**	*9MA*0801714A**	0.98	0.94
EHD4X30A**	*8MV*1102120**	0.97	0.97	ENH4X31*17**	*9MA*1202422A**	0.98	0.92
EHD4X30A**	*8MV*1352422**	0.97	0.97	ENH4X31*17**	NOMV106D12*	0.98	0.94
EHD4X30A**	*9MX*0601714A**	0.98	0.96	ENH4X31*17**	*9MV*1002116A**	0.98	0.92
EHD4X30A**	*9MV*0401410A**	1.00	1.01	ENH4X31*17**	*9MA*1002120A**	0.98	0.92
EHD4X30A**	*9MV*0601714A**	0.98	0.97	FEA4X24**A*	-	0.99	0.99
EHD4X30A**	*9MV*0801716A**	0.98	0.96	FEA4X30**A*	-	0.99	0.99
EHD4X30A**	*9MV*0802120A**	0.98	0.96	FEA4X36**A*	-	1.00	0.98
EHD4X30A**	*9MV*1002120A**	0.98	0.94	FEM4P24**A*	-	0.99	1.01
EHD4X30A**	*9MV*1202422A**	0.98	0.95	FEM4P24**A*	-	0.99	1.01
EHD4X30A**	*9MA*0601714A**	0.98	0.97	FEM4P30**A*	-	0.99	0.97
EHD4X30A**	*9MA*0801714A**	0.97	0.96	FEM4P30**A*	-	0.98	0.96
EHD4X30A**	*9MA*1202422A**	0.98	0.95	FEM4X24****	-	0.98	0.99
EHD4X30A**	NOMV106D12*	0.96	0.98	FEM4X30****	-	0.98	0.96
EHD4X30A**	*9MVX040	0.98	0.98	FS(M,U)4P24**A*	-	1.00	1.01
EHD4X30A**	*9MVX060	0.98	0.96	FS(M,U)4P30**A*	-	0.99	0.99
EHD4X30A**	*9MVX080	0.98	0.93	FVM4X24****	-	0.98	0.96
EHD4X30A**	*9MVX100	0.98	0.94	FVM4X36****	-	0.98	0.96

HEATING Multiplying Factors for other Indoor Combinations						
Indoor Model	Furnace Model	CAPACITY (MBh)	Power (AMPS)	Indoor Model	Furnace Model	Power (AMPS)
EHD4X30A**	*9MV*1002116A**	0.97	0.96	FXM4X24**A*	-	0.97
EHD4X30A**	*9MA*1002120A**	0.99	0.95	FXM4X30**A*	-	0.97
				FXM4X36**A*	-	0.90
HEATING Multiplying Factors for other Indoor Combinations						
Indoor Model	Furnace Model	CAPACITY (MBh)	Power (AMPS)	Indoor Model	Furnace Model	Power (AMPS)
N4H330						
*FS(M,U)4P30**A*	-	1.00	1.00	EHD4X36A**	*9MA*1002120A**	0.97
EA*4X30*14A*	*8MV*0701412**	0.99	1.02	EHD4X36A**	OLV098A12A	0.99
EA*4X30*17A*	*8MX*0701716**	1.00	1.01	EHD4X36A**	OLV112A16A	0.97
EA*4X30*17A*	*8MV*0901716**	0.99	1.01	EHD4X36A**	OMV098J12A	0.99
EA*4X30*17A*	*9MX*0601714A**	1.00	1.01	EHD4X36A**	OMV112K14A	0.97
EA*4X30*17A*	*9MX*0801716A**	1.00	1.00	EHD4X36A**	*8MPV050	0.99
EA*4X36*14A*	*8MV*0701412**	1.00	1.02	EHD4X36A**	*8MPV075	0.95
EA*4X36*17A*	*8MX*0701716**	1.00	1.01	EHD4X36A**	*8MPV100	0.94
EA*4X36*17A*	*8MV*0901716**	0.99	1.00	EHD4X36A**	*8MPV125	0.94
EA*4X36*17A*	*9MX*0601714A**	1.00	1.01	EHD4X36A**	*9MPV050	0.98
EA*4X36*17A*	*9MX*0801716A**	1.00	0.99	EHD4X36A**	*9MPV075	0.98
EA*4X36*17A*	*9MV*0801716A**	1.00	1.01	EHD4X36A**	*9MPV100	0.95
EA*4X36*17A*	*9MA*0801714A**	1.00	1.01	EHD4X36A**	*9MPV125	0.95
EA*4X36*21A*	*8MX*0902116**	1.00	0.98	EHD4X36A**	MV08B15**B*	0.95
EA*4X36*21A*	*8MV*1102120**	0.99	1.00	EHD4X36A**	MV12F19**B*	0.94
EA*4X36*21A*	*9MX*0601714A**	1.00	1.00	EN(A,D)4X30*14**	*8MV*0701412**	1.00
EA*4X36*21A*	*9MX*0801716A**	1.00	0.98	EN(A,D)4X30*17**	*8MX*0701716**	0.99
EA*4X36*21A*	*9MV*0601714A**	1.00	1.01	EN(A,D)4X30*17**	*8MV*0901716**	0.99
EA*4X36*21A*	*9MV*0801716A**	1.00	1.00	EN(A,D)4X30*17**	*9MX*0601714A**	1.01
EA*4X36*21A*	*9MV*1002120A**	0.99	0.99	EN(A,D)4X30*17**	*9MX*0801716A**	1.00
EA*4X36*21A*	*9MA*0801714A**	1.00	1.01	EN(A,D)4X30*17**	*9MA*0801714A**	1.02
EA*4X36*21A*	*9MV*1002116A**	1.00	1.00	EN(A,D)4X30*17**	*9MVX060	1.01
EA*4X36*21A*	*9MA*1002120A**	1.00	0.99	EN(A,D)4X30*17**	OLV098A12A	1.02
ED*4X30B**	*8MV*0701412**	0.97	1.00	EN(A,D)4X30*17**	OMV098J12A	1.02
ED*4X30F**	MV08B15**B*	0.97	0.97	EN(A,D)4X30*17**	OMV112K14A	1.01
	*8MX*0701716**	0.97	0.99	EN(A,D)4X31*17**	*9MPV075	1.02
ED*4X30F**	*8MV*0901716**	0.97	0.99	EN(A,D)4X31*17**	*8MX*0701716**	0.97
				EN(A,D)4X31*17**	*8MV*0901716**	0.98

HEATING Multiplying Factors for other Indoor Combinations

Indoor Model	Furnace Model	CAPACITY (MBh)	Power (AMPS)	Indoor Model	Furnace Model	CAPACITY (MBh)	Power (AMPS)
ED*4X30F**	*9MX*0601714A**	1.00	1.01	EN(A,D)4X31*17**	*9MX*0601714A**	1.00	0.97
ED*4X30F**	*9MX*0801716A**	1.00	1.00	EN(A,D)4X31*17**	*9MX*0801716A**	1.00	0.95
ED*4X30F**	*9MV*0802120A**	0.99	1.00	EN(A,D)4X31*17**	*9MV*0601714A**	1.00	0.98
ED*4X30F**	*9MA*0802120A**	1.00	1.01	EN(A,D)4X31*17**	*9MV*0801716A**	1.00	0.97
ED*4X30F**	*9MA*1002122A**	1.00	1.00	EN(A,D)4X31*17**	*9MA*0601714A**	1.00	0.99
ED*4X30F**	*9MVX040	0.99	1.02	EN(A,D)4X31*17**	*9MA*0801714A**	1.00	0.97
ED*4X30F**	*9MVX060	0.99	1.00	EN(A,D)4X31*17**	NOMV106D12*	1.00	0.99
ED*4X30F**	*9MA*1002120A**	1.00	1.01	EN(A,D)4X31*17**	*9MVX040	1.00	0.98
ED*4X30F**	OLV098A12A	1.00	1.02	EN(A,D)4X31*17**	*9MVX060	1.00	0.97
ED*4X30F**	OLV112A16A	1.00	1.01	EN(A,D)4X31*17**	*9MPV050	1.00	0.98
ED*4X30F**	OMV098J12A	1.00	1.02	EN(A,D)4X31*17**	*9MPV075	1.00	0.97
ED*4X30F**	OMV112K14A	1.00	1.01	EN(A,D)4X36*21**	*8MX*0902116**	0.97	0.98
ED*4X30F**	*8MPV075	0.99	0.99	EN(A,D)4X36*21**	*8MV*1102120**	0.97	0.99
ED*4X30F**	*9MPV050	0.99	1.02	EN(A,D)4X36*21**	*9MX*0601714A**	1.00	1.01
ED*4X30F**	*9MPV075	0.99	1.01	EN(A,D)4X36*21**	*9MX*0801716A**	1.00	1.00
ED*4X30F**	MV12F19**B*	0.98	0.97	EN(A,D)4X36*21**	*9MV*0802120A**	0.99	1.00
ED*4X36B**	*8MV*0701412**	0.97	1.00	EN(A,D)4X36*21**	*9MA*0801714A**	1.00	1.02
ED*4X36B**	MV08B15**B*	0.98	0.98	EN(A,D)4X36*21**	*9MVX040	1.00	1.02
ED*4X36F**	*8MX*0701716**	0.97	0.98	EN(A,D)4X36*21**	*9MVX060	1.00	1.01
ED*4X36F**	*8MV*0901716**	0.97	0.98	EN(A,D)4X36*21**	*9MVX080	1.00	0.99
ED*4X36F**	*9MX*0601714A**	1.00	1.01	EN(A,D)4X36*21**	*9MA*1002120A**	1.00	1.01
ED*4X36F**	*9MX*0601714A**	1.00	1.01	EN(A,D)4X36*21**	OLV098A12A	1.00	1.02
ED*4X36F**	*9MX*0801716A**	1.00	0.99	EN(A,D)4X36*21**	OLV112A16A	1.00	1.01
ED*4X36F**	*9MX*0801716A**	1.00	0.99	EN(A,D)4X36*21**	OMV098J12A	1.00	1.02
ED*4X36F**	*9MV*0801716A**	1.00	1.01	EN(A,D)4X36*21**	OMV112K14A	1.00	1.01
ED*4X36F**	*9MV*0802120A**	1.00	1.00	EN(A,D)4X36*21**	*9MPV075	1.00	1.02
ED*4X36F**	*9MA*0801714A**	1.00	1.01	EN(A,D)4X36*21**	*9MPV100	1.00	1.00
ED*4X36F**	*9MA*0801714A**	1.00	1.01	EN(A,D)4X37*17**	*8MX*0701716**	1.00	0.95
ED*4X36F**	*9MA*0802120A**	1.00	1.01	EN(A,D)4X37*17**	*8MV*0901716**	1.00	0.95
ED*4X36F**	*9MA*1002122A**	1.00	0.99	EN(A,D)4X37*17**	*9MX*0601714A**	1.00	0.94
ED*4X36F**	NOMV106D12*	0.97	1.00	EN(A,D)4X37*17**	*9MX*0801716A**	1.00	0.93
ED*4X36F**	*9MVX040	0.98	1.00	EN(A,D)4X37*17**	*9MV*0601714A**	1.00	0.95
ED*4X36F**	*9MVX060	0.98	0.99	EN(A,D)4X37*17**	*9MV*0801716A**	1.00	0.95
ED*4X36F**	*9MV*1002116A**	1.00	1.01	EN(A,D)4X37*17**	*9MA*0601714A**	1.00	0.96
ED*4X36F**	*9MA*1002120A**	1.00	1.00	EN(A,D)4X37*17**	*9MA*0801714A**	1.00	0.95

HEATING Multiplying Factors for other Indoor Combinations

Indoor Model	Furnace Model	CAPACITY (MBh)	Power (AMPS)	Indoor Model	Furnace Model	CAPACITY (MBh)	Power (AMPS)
ED*4X36F**	*9MA*1002120A**	1.00	1.00	EN(A,D)4X37*17**	NOMV106D12*	1.00	0.97
ED*4X36F**	OLV098A12A	1.00	1.02	EN(A,D,W)4X36*17**	*8MX*0701716**	0.97	0.99
ED*4X36F**	OLV112A16A	1.00	1.00	EN(A,D,W)4X36*17**	*8MV*0901716**	0.97	0.99
ED*4X36F**	OMV098J12A	1.00	1.02	EN(A,D,W)4X36*17**	*9MX*0601714A**	1.00	1.01
ED*4X36F**	OMV112K14A	1.00	1.00	EN(A,D,W)4X36*17**	*9MX*0801716A**	1.00	1.00
ED*4X36F**	*8MPV075	0.98	0.97	EN(A,D,W)4X36*17**	*9MA*0801714A**	1.00	1.02
ED*4X36F**	*9MPV050	0.98	1.00	EN(A,D,W)4X36*17**	*9MVX060	1.00	1.01
ED*4X36F**	*9MPV075	0.98	1.00	EN(A,D,W)4X36*17**	OLV098A12A	1.00	1.02
ED*4X36F**	MV12F19**B*	0.98	0.97	EN(A,D,W)4X36*17**	OMV098J12A	1.00	1.02
ED*4X36F**	*9MAC0602120A**	1.00	1.01	EN(A,D,W)4X36*17**	OMV112K14A	1.00	1.01
ED*4X36J**	*8MX*0902116**	0.97	0.96	EN(A,D,W)4X36*17**	*9MPV075	1.00	1.02
ED*4X36J**	*8MV*1102120**	0.97	0.98	ENH4X30*17**	*8MX*0701716**	0.97	0.99
ED*4X36J**	*9MV*0802120A**	1.00	0.99	ENH4X30*17**	*8MX*0902116**	0.97	0.98
ED*4X36J**	*9MV*1002120A**	0.99	0.99	ENH4X30*17**	*8MV*0701412**	0.97	1.00
ED*4X36J**	*9MV*1202422A**	1.00	0.99	ENH4X30*17**	*8MV*0901716**	0.97	0.99
ED*4X36J**	*9MA*0802120A**	1.00	1.00	ENH4X30*17**	*8MV*1102120**	0.97	0.99
ED*4X36J**	*9MA*1002122A**	1.00	0.99	ENH4X30*17**	*8MV*1352422**	0.97	0.98
ED*4X36J**	*9MA*1202422A**	1.00	1.00	ENH4X30*17**	*9MX*0601714A**	1.00	1.01
ED*4X36J**	*9MVX080	0.98	0.96	ENH4X30*17**	*9MX*0801716A**	1.00	1.00
ED*4X36J**	*9MV*1002116A**	1.00	1.00	ENH4X30*17**	*9MV*1202422A**	1.00	1.01
ED*4X36J**	*9MA*1002120A**	1.00	0.99	ENH4X30*17**	*9MA*0801714A**	1.00	1.02
ED*4X36J**	OLV112A16A	0.98	0.95	ENH4X30*17**	*9MA*1202422A**	1.00	1.01
ED*4X36J**	*8MPV100	0.98	0.95	ENH4X30*17**	*9MVX060	1.00	1.01
ED*4X36J**	*8MPV125	0.98	0.95	ENH4X30*17**	*9MA*1002120A**	1.00	1.01
ED*4X36J**	*9MPV100	0.98	0.96	ENH4X30*17**	OLV098A12A	1.00	1.02
ED*4X36J**	*9MAC0602120A**	1.00	1.01	ENH4X30*17**	OLV112A16A	1.00	1.01
EHD4X30A**	*8MX*0701716**	0.97	0.99	ENH4X30*17**	OMV098J12A	1.00	1.02
EHD4X30A**	*8MX*0902116**	0.97	0.98	ENH4X30*17**	OMV112K14A	1.00	1.01
EHD4X30A**	*8MV*0701412**	0.97	1.00	ENH4X30*17**	*9MPV075	1.00	1.02
EHD4X30A**	*8MV*0901716**	0.97	0.99	ENH4X31*17**	*8MX*0701716**	1.00	0.97
EHD4X30A**	*8MV*1102120**	0.97	0.98	ENH4X31*17**	*8MX*0902116**	1.00	0.96
EHD4X30A**	*8MV*1352422**	0.97	0.98	ENH4X31*17**	*8MV*0701412**	1.00	0.98
EHD4X30A**	*9MX*0601714A**	1.00	1.00	ENH4X31*17**	*8MV*0901716**	1.00	0.98
EHD4X30A**	*9MX*0801716A**	1.00	0.98	ENH4X31*17**	*8MV*1102120**	1.00	0.97
EHD4X30A**	*9MV*0601714A**	1.00	1.01	ENH4X31*17**	*8MV*1352422**	1.00	0.97

HEATING Multiplying Factors for other Indoor Combinations

Indoor Model	Furnace Model	CAPACITY (MBh)	Power (AMPS)	Indoor Model	Furnace Model	CAPACITY (MBh)	Power (AMPS)
EHD4X30A**	*9MV*0801716A**	1.00	1.00	ENH4X31*17**	*9MX*0601714A**	1.00	0.97
EHD4X30A**	*9MV*0802120A**	1.00	1.00	ENH4X31*17**	*9MX*0801716A**	1.00	0.95
EHD4X30A**	*9MV*1202422A**	1.00	0.99	ENH4X31*17**	*9MV*0601714A**	1.00	0.98
EHD4X30A**	*9MA*0601714A**	1.00	1.01	ENH4X31*17**	*9MV*0801716A**	1.00	0.97
EHD4X30A**	*9MA*0801714A**	1.00	1.00	ENH4X31*17**	*9MV*1202422A**	1.00	0.96
EHD4X30A**	*9MA*1202422A**	1.00	0.99	ENH4X31*17**	*9MA*0601714A**	1.00	0.99
EHD4X30A**	*9MVX040	0.98	1.01	ENH4X31*17**	*9MA*0801714A**	1.00	0.97
EHD4X30A**	*9MVX060	0.98	1.00	ENH4X31*17**	*9MA*1202422A**	1.00	0.97
EHD4X30A**	*9MVX080	0.98	0.97	ENH4X31*17**	NOMV106D12*	1.00	0.99
EHD4X30A**	*9MVX100	0.98	0.99	ENH4X31*17**	*9MVX040	1.00	0.98
EHD4X30A**	*9MV*1002116A**	1.00	1.01	ENH4X31*17**	*9MVX060	1.00	0.97
EHD4X30A**	*9MA*1002120A**	1.00	0.99	ENH4X31*17**	*9MV*1002116A**	1.00	0.97
EHD4X30A**	OLV098A12A	1.00	1.02	ENH4X31*17**	*9MA*1002120A**	1.00	0.96
EHD4X30A**	OLV112A16A	1.00	1.00	ENH4X31*17**	*9MPV050	1.00	0.98
EHD4X30A**	OMV098J12A	1.00	1.02	ENH4X31*17**	*9MPV075	1.00	0.97
EHD4X30A**	OMV112K14A	1.00	1.01	ENH4X36*17**	*8MX*0701716**	0.97	0.99
EHD4X30A**	*8MPV050	0.98	1.00	ENH4X36*17**	*8MX*0902116**	0.97	0.98
EHD4X30A**	*8MPV075	0.98	0.99	ENH4X36*17**	*8MV*0701412**	0.97	1.00
EHD4X30A**	*8MPV100	0.98	0.98	ENH4X36*17**	*8MV*0901716**	0.97	0.99
EHD4X30A**	*8MPV125	0.98	0.98	ENH4X36*17**	*8MV*1102120**	0.97	0.99
EHD4X30A**	*9MPV050	0.98	1.01	ENH4X36*17**	*8MV*1352422**	0.97	0.98
EHD4X30A**	*9MPV075	0.98	1.01	ENH4X36*17**	*9MX*0601714A**	1.00	1.01
EHD4X30A**	*9MPV100	0.98	0.99	ENH4X36*17**	*9MX*0801716A**	1.00	1.00
EHD4X30A**	*9MPV125	0.98	0.99	ENH4X36*17**	*9MV*1202422A**	1.00	1.01
EHD4X30A**	MV08B15**B*	0.98	0.98	ENH4X36*17**	*9MA*0801714A**	1.00	1.02
EHD4X30A**	MV12F19**B*	0.98	0.97	ENH4X36*17**	*9MA*1202422A**	1.00	1.01
EHD4X36A**	*8MX*0701716**	0.97	0.96	ENH4X36*17**	*9MVX060	1.00	1.01
EHD4X36A**	*8MX*0902116**	0.97	0.95	ENH4X36*17**	*9MVX080	1.00	0.99
EHD4X36A**	*8MV*0701412**	0.97	0.97	ENH4X36*17**	*9MA*1002120A**	1.00	1.01
EHD4X36A**	*8MV*0901716**	0.97	0.96	ENH4X36*17**	OLV098A12A	1.00	1.02
EHD4X36A**	*8MV*1102120**	0.97	0.96	ENH4X36*17**	OLV112A16A	1.00	1.01
EHD4X36A**	*8MV*1352422**	0.97	0.96	ENH4X36*17**	OMV098J12A	1.00	1.02
EHD4X36A**	*9MX*0601714A**	1.00	0.98	ENH4X36*17**	OMV112K14A	1.00	1.01
EHD4X36A**	*9MX*0801716A**	1.00	0.96	ENH4X36*17**	*9MPV075	1.00	1.02
EHD4X36A**	*9MV*0601714A**	1.00	0.99	ENH4X36*17**	*9MPV100	1.00	1.00

HEATING Multiplying Factors for other Indoor Combinations

Indoor Model	Furnace Model	CAPACITY (MBh)	Power (AMPS)	Indoor Model	Furnace Model	CAPACITY (MBh)	Power (AMPS)
EHD4X36A**	*9MV*0801716A**	1.00	0.98	FEA4X30**A*	-	1.00	1.01
EHD4X36A**	*9MV*0802120A**	1.00	0.98	FEA4X36**A*	-	1.00	1.01
EHD4X36A**	*9MV*1002120A**	1.00	0.99	FEM4P30**A*	-	1.00	1.00
EHD4X36A**	*9MV*1202422A**	1.00	0.97	FEM4P30**A*	-	1.00	1.00
EHD4X36A**	*9MA*0601714A**	1.00	0.99	FEM4P36**A*	-	1.00	1.00
EHD4X36A**	*9MA*0801714A**	1.00	0.98	FEM4P36**A*	-	1.00	1.00
EHD4X36A**	*9MA*1202422A**	1.00	0.97	FEM4X30***	-	0.99	0.98
EHD4X36A**	NOMV106D12*	0.97	0.97	FEM4X36***	-	0.97	0.95
EHD4X36A**	*9MVX040	0.99	0.98	FS(M,U)4P30**A*	-	1.00	1.01
EHD4X36A**	*9MVX060	0.99	0.97	FVM4X24***	-	0.98	0.98
EHD4X36A**	*9MVX080	0.99	0.94	FVM4X36***	-	0.97	0.97
EHD4X36A**	*9MVX100	0.99	0.95	FVM4X48***	-	0.98	0.93
EHD4X36A**	*9MV*1002116A**	1.00	0.98	FXM4X30**A*	-	0.97	0.95
EHD4X36A**				FXM4X36**A*	-	0.97	0.92

HEATING Multiplying Factors for other Indoor Combinations

Indoor Model	Furnace Model	CAPACITY (MBh)	Power (AMPS)	Indoor Model	Furnace Model	CAPACITY (MBh)	Power (AMPS)
*FS(M,U)4P36**A*							
EA*4X36*14A*	-	1.00	1.00	EHD4X36A**	MV16J22**B*	0.97	0.92
EA*4X36*14A*	*8MV*0701412**	0.99	1.01	ENH4X42*21**	NOMV156E19*	0.97	0.97
EA*4X36*14A*	*8MX*0451408**	1.01	1.04	EHD4X36A**	*9MPV050	0.97	0.98
EA*4X36*17A*	*8MV*0901716**	0.99	0.99	EHD4X36A**	*8MPV075	0.97	0.94
EA*4X36*17A*	*8MX*0701716**	1.00	1.01	ENH4X36*17**	*9MPV050	1.01	1.05
EA*4X36*17A*	*9MA*0601714A**	0.98	1.02	ED*4X36J**	*9MV*1002116A**	0.99	0.99
EA*4X36*17A*	*9MA*0801714A**	0.98	1.00	EN(A,D)4X36*21**	*9MVX040	1.01	1.05
EA*4X36*17A*	*9MV*0601714A**	1.00	1.02	EN(A,D,W)4X42*21**	*9MVX080	1.01	0.98
EA*4X36*17A*	*9MV*0801716A**	0.99	1.01	END4X42*17**	OLV098A12A	1.01	1.01
EA*4X36*17A*	*9MX*0601714A**	0.99	1.01	ED*4X42F**	OMV098J12A	1.00	1.01
EA*4X36*17A*	*9MX*0801716A**	0.99	1.00	EN(A,D)4X37*17**	OMV112K14A	1.01	0.95
EA*4X36*21A*	*8MV*1102120**	0.99	0.98	EA*4X36*21A*	*9MA*1002120A**	0.98	0.99
EA*4X36*21A*	*8MX*0902116**	0.99	0.97	EN(A,D,W)4X42*21**	*9MPV075	1.01	1.01
EA*4X36*21A*	*8MX*1102120**	0.99	0.97	EN(A,D,W)4X42*21**	*9MPV100	1.01	0.98
EA*4X36*21A*	*9MA*0601714A**	0.98	1.01	ED*4X42F**	*9MV*1002116A**	1.00	0.99
EA*4X36*21A*	*9MA*0801714A**	0.98	1.00	EN(A,D)4X37*17**	*9MVX040	1.02	0.99
EA*4X36*21A*	*9MV*0601714A**	1.00	1.01	ENH4X42*21**	*9MVX080	1.01	0.98

N4H336

HEATING Multiplying Factors for other Indoor Combinations

Indoor Model	Furnace Model	CAPACITY (MBh)	Power (AMPS)	Indoor Model	Furnace Model	CAPACITY (MBh)	Power (AMPS)
EA*4X36*21A*	*9MV*0801716A**	0.99	0.99	ENH4X36*17**	OLV098A12A	0.99	1.03
EA*4X36*21A*	*9MX*0601714A**	1.00	1.01	EHD4X36A**	OMV098J12A	1.01	0.99
EA*4X36*21A*	*9MX*0801716A**	0.99	0.99	EN(A,D,W)4X36*17**	OMV112K14A	0.99	1.01
EA*4X42*21A*	*8MV*1102120**	0.99	0.97	EA*4X42*21A*	*9MA*1002120A**	0.99	0.99
EA*4X42*21A*	*8MX*0902116**	0.99	0.96	END4X42*17**	*9MPV075	1.01	1.01
EA*4X42*21A*	*8MX*1102120**	1.00	0.96	ENH4X42*21**	*9MPV100	1.01	0.98
EA*4X42*21A*	*9MA*0601714A**	0.99	1.00	ED*4X42J**	*9MV*1002116A**	1.00	0.98
EA*4X42*21A*	*9MA*0801714A**	0.98	0.99	EN(A,D,W)4X36*17**	*9MVX040	1.01	1.05
EA*4X42*21A*	*9MV*0601714A**	1.00	1.00	ENH4X43*21**	*9MVX080	1.01	0.92
EA*4X42*21A*	*9MV*0801716A**	1.00	0.99	ENH4X42*21**	OLV098A12A	1.00	1.01
EA*4X42*21A*	*9MX*0601714A**	1.00	1.00	EHD4X42A**	OMV098J12A	1.01	0.99
EA*4X42*21A*	*9MX*0801716A**	0.99	0.99	EN(A,D,W)4X42*21**	OMV112K14A	1.00	0.99
EA*4X42*24A*	*8MV*1352422**	0.99	0.97	EN(A,D)4X36*21**	*9MA*1002120A**	0.99	1.01
EA*4X42*24A*	*9MA*1202422A**	0.98	0.98	END4X42*17**	*9MVX060	1.01	1.00
EA*4X42*24A*	*9MV*1202422A**	0.99	0.97	ENH4X42*21**	OLV112A16A	1.01	0.99
ED*4X36B**	*8MV*0701412**	0.99	1.01	ENH4X43*21**	NOMV156E19*	0.97	0.91
ED*4X36B**	*8MX*0451408**	0.99	1.03	EHD4X42A**	*9MPV050	0.97	0.96
ED*4X36B**	MV08B15**B*	0.97	0.97	EN(A,D)4X36*21**	-	0.99	1.02
ED*4X36F**	*8MV*0901716**	0.97	0.98	EHD4X42A**	*8MPV075	0.97	0.92
ED*4X36F**	*8MX*0701716**	0.99	1.00	ENH4X42*21**	*9MPV050	1.01	1.03
ED*4X36F**	*9MA*0601714A**	0.99	1.02	ED*4X42L**	*9MV*1002116A**	1.00	0.98
ED*4X36F**	*9MA*0601714A**	0.98	1.02	EHD4X36A**	*9MV*1002116A**	1.01	0.98
ED*4X36F**	*9MA*0801714A**	0.98	1.00	EN(A,D,W)4X42*21**	*9MVX040	1.01	1.03
ED*4X36F**	*9MA*0801714A**	0.98	1.00	END4X42*17**	*9MVX040	1.01	1.02
ED*4X36F**	*9MV*0601714A**	1.00	1.02	ED*4X42L**	*9MVX100	0.97	0.94
ED*4X36F**	*9MV*0801716A**	0.99	1.01	ENH4X43*21**	OLV098A12A	1.01	0.96
ED*4X36F**	*9MX*0601714A**	1.00	1.02	EN(A,D)4X36*21**	OMV098J12A	1.00	1.03
ED*4X36F**	*9MX*0601714A**	0.99	1.01	EN(A,D)4X37*17**	OMV098J12A	1.02	0.97
ED*4X36F**	*9MX*0801716A**	0.99	1.00	END4X42*17**	OMV112K14A	1.00	0.98
ED*4X36F**	*9MX*0801716A**	0.99	1.00	ENH4X36*17**	OMV112K14A	0.99	1.01
ED*4X36F**	MV12F19**B*	0.97	0.95	EN(A,D,W)4X36*17**	-	0.99	1.02
ED*4X36J**	*8MV*1102120**	0.97	0.97	EA*4X42*24A*	*9MA*1002120A**	0.99	0.98
ED*4X36J**	*8MX*0902116**	0.99	0.98	ENH4X36*17**	*9MPV075	1.00	1.03
ED*4X36J**	*8MX*1102120**	0.99	0.97	ENH4X43*21**	*9MPV100	1.01	0.92
ED*4X36J**	*9MA*1202422A**	0.98	0.99	ENH4X36*17**	*9MVX060	1.01	1.03

HEATING Multiplying Factors for other Indoor Combinations

Indoor Model	Furnace Model	CAPACITY (MBh)	Power (AMPS)	Indoor Model	Furnace Model	CAPACITY (MBh)	Power (AMPS)
ED*4X36J**	*9MV*1202422A**	0.99	0.98	ENH4X43*21**	OLV112A16A	1.01	0.94
ED*4X36J**	MV16J22**B*	0.97	0.95	ENH4X42*21**	-	0.99	1.01
ED*4X42F**	*9MA*0601714A**	0.99	1.01	EHD4X42A**	*9MV*1002116A**	1.01	0.96
ED*4X42F**	*9MA*0801714A**	0.99	1.00	ENH4X36*17**	*9MVX040	1.01	1.05
ED*4X42F**	*9MV*0601714A**	1.00	1.01	EHD4X36A**	*9MVX100	0.97	0.93
ED*4X42F**	*9MV*0801716A**	1.00	0.99	ED*4X36F**	OLV112A16A	1.00	1.01
ED*4X42F**	*9MX*0601714A**	1.00	1.00	EN(A,D,W)4X36*17**	OMV098J12A	1.00	1.03
ED*4X42F**	*9MX*0801716A**	0.99	0.99	ENH4X42*21**	OMV112K14A	1.00	0.99
ED*4X42J**	MV12F19**B*	0.97	0.94	EN(A,D,W)4X42*21**	-	0.99	1.01
ED*4X42J**	*8MV*1102120**	0.97	0.96	ED*4X36F**	*9MA*1002120A**	0.99	1.00
ED*4X42J**	*8MX*0902116**	0.99	0.96	ENH4X42*21**	*9MPV075	1.01	1.01
ED*4X42J**	*8MX*1102120**	0.99	0.96	ED*4X42L**	*9MPV125	0.97	0.93
ED*4X42J**	*9MA*1202422A**	0.99	0.98	ENH4X42*21**	*9MVX060	1.01	1.01
ED*4X42J**	*9MV*1202422A**	0.99	0.98	ED*4X42L**	OLV154F20A	1.01	0.96
ED*4X42J**	MV16J22**B*	0.97	0.94	ENH4X43*21**	-	0.99	0.96
ED*4X42L**	*8MV*1352422**	0.97	0.95	EN(A,D)4X43*24**	*9MA*1002120A**	1.00	0.93
ED*4X42L**	*9MA*1202422A**	0.98	0.98	ENH4X43*21**	*9MVX060	1.02	0.95
ED*4X42L**	*9MV*1202422A**	0.99	0.97	EHD4X36A**	OLV154F20A	1.02	0.94
EHD4X36A**	*8MV*0701412**	0.99	0.98	ED*4X36B**	*8MPV050	0.97	1.02
EHD4X36A**	*8MV*0901716**	0.99	0.97	ED*4X36J**	*8MPV100	0.97	0.94
EHD4X36A**	*8MV*1102120**	0.99	0.96	ED*4X36F**	*9MA*1002120A**	0.99	1.00
EHD4X36A**	*8MV*1352422**	0.99	0.96	EN(A,D,W)4X42*21**	*9MA*1002120A**	0.99	0.99
EHD4X36A**	*8MX*0451408**	0.99	0.99	EN(A,D)4X36*21**	*9MPV050	1.01	1.05
EHD4X36A**	*8MX*0701716**	0.99	0.98	ENH4X43*21**	*9MPV050	1.02	0.98
EHD4X36A**	*8MX*0902116**	0.99	0.95	ENH4X43*21**	*9MPV075	1.02	0.96
EHD4X36A**	*8MX*1102120**	0.99	0.95	EHD4X36A**	*9MPV125	0.97	0.93
EHD4X36A**	*9MA*0601714A**	0.99	0.99	EN(A,D)4X36*21**	*9MV*1002116A**	0.99	1.01
EHD4X36A**	*9MA*0801714A**	0.99	0.98	ENH4X42*21**	*9MVX040	1.01	1.03
EHD4X36A**	*9MA*1202422A**	0.99	0.97	ED*4X36J**	*9MVX080	0.97	0.95
EHD4X36A**	*9MV*0601714A**	1.01	0.99	EHD4X42A**	*9MVX100	0.97	0.91
EHD4X36A**	*9MV*0801716A**	1.01	0.98	ED*4X36J**	OLV112A16A	1.00	1.00
EHD4X36A**	*9MV*1202422A**	0.99	0.96	EHD4X42A**	OLV154F20A	1.02	0.93
EHD4X36A**	*9MX*0601714A**	1.01	0.99	EN(A,D,W)4X42*21**	OMV098J12A	1.01	1.01
EHD4X36A**	*9MX*0801716A**	0.99	0.97	ENH4X43*21**	OMV112K14A	1.01	0.94
EHD4X36A**	MV08B15**B*	0.97	0.93	EN(A,D)4X37*17**	-	0.99	0.96

HEATING Multiplying Factors for other Indoor Combinations

Indoor Model	Furnace Model	CAPACITY (MBh)	Power (AMPS)	Indoor Model	Furnace Model	CAPACITY (MBh)	Power (AMPS)
EHD4X36A**	MV12F19**B*	0.97	0.92	END4X42*17**	-	0.99	0.99
EHD4X42A**	*8MV*0701412**	0.99	0.97	EHD4X36A**	*8MPV050	0.99	1.01
EHD4X42A**	*8MV*0901716**	0.99	0.96	ED*4X42J**	*8MPV100	0.97	0.93
EHD4X42A**	*8MV*1102120**	0.99	0.95	ED*4X36J**	*9MA*1002120A**	0.99	1.00
EHD4X42A**	*8MV*1352422**	0.99	0.95	ENH4X36*17**	*9MA*1002120A**	0.99	1.01
EHD4X42A**	*8MX*0451408**	0.99	0.97	EN(A,D)4X37*17**	*9MPV050	1.02	0.98
EHD4X42A**	*8MX*0701716**	0.99	0.96	ED*4X36F**	*9MPV075	0.97	1.00
EHD4X42A**	*8MX*0902116**	0.99	0.94	ED*4X36J**	*9MPV100	0.97	0.95
EHD4X42A**	*8MX*1102120**	0.99	0.93	EHD4X42A**	*9MPV125	0.97	0.91
EHD4X42A**	*9MA*0601714A**	0.99	0.98	EN(A,D)4X43*24**	*9MV*1002116A**	1.00	0.94
EHD4X42A**	*9MA*0801714A**	0.99	0.97	ENH4X43*21**	*9MVX040	1.02	0.98
EHD4X42A**	*9MA*1202422A**	0.99	0.96	ED*4X42J**	*9MVX080	0.97	0.94
EHD4X42A**	*9MV*0601714A**	1.01	0.98	EN(A,D)4X43*24**	*9MVX100	1.01	0.92
EHD4X42A**	*9MV*0801716A**	1.01	0.97	ED*4X42F**	OLV112A16A	1.01	0.99
EHD4X42A**	*9MV*1202422A**	1.00	0.96	EN(A,D)4X43*24**	OLV154F20A	1.01	0.90
EHD4X42A**	*9MX*0601714A**	1.01	0.98	END4X42*17**	OMV098J12A	1.01	1.00
EHD4X42A**	*9MX*0801716A**	1.00	0.97	ED*4X36B**	-	0.99	1.03
EHD4X42A**	MV08B15**B*	0.97	0.92	EN(A,D)4X43*24**	-	0.99	0.96
EHD4X42A**	MV12F19**B*	0.97	0.91	ENH4X36*17**	-	0.99	1.02
EN(A,D)4X36*21**	*8MV*1102120**	0.97	0.98	ED*4X42F**	*9MA*1002120A**	0.99	0.99
EN(A,D)4X36*21**	*8MX*0902116**	0.97	0.98	ED*4X42J**	*9MPV100	0.97	0.94
EN(A,D)4X36*21**	*8MX*1102120**	0.97	0.97	EN(A,D)4X43*24**	*9MPV125	1.01	0.92
EN(A,D)4X36*21**	*9MA*0601714A**	0.98	1.02	EN(A,D,W)4X42*21**	*9MV*1002116A**	1.00	0.99
EN(A,D)4X36*21**	*9MA*0801714A**	0.98	1.01	ED*4X36F**	*9MVX060	0.97	0.99
EN(A,D)4X36*21**	*9MV*0601714A**	0.99	1.02	ED*4X36F**	OLV098A12A	0.99	1.02
EN(A,D)4X36*21**	*9MV*0801716A**	0.99	1.01	ED*4X42J**	OLV112A16A	1.00	0.98
EN(A,D)4X37*17**	*8MV*0901716**	0.99	0.93	ENH4X36*17**	OMV098J12A	1.00	1.03
EN(A,D)4X37*17**	*8MX*0701716**	0.99	0.94	ED*4X36F**	-	0.99	1.02
EN(A,D)4X37*17**	*9MA*0601714A**	1.00	0.96	EHD4X36A**	*8MPV100	0.97	0.92
EN(A,D)4X37*17**	*9MA*0801714A**	1.00	0.95	ED*4X42F**	*9MPV075	0.97	0.98
EN(A,D)4X37*17**	*9MV*0601714A**	1.01	0.96	ENH4X36*17**	*9MV*1002116A**	0.99	1.01
EN(A,D)4X37*17**	*9MV*0801716A**	1.00	0.95	ED*4X42F**	*9MVX060	0.97	0.98
EN(A,D)4X37*17**	*9MX*0601714A**	1.01	0.95	ED*4X42F**	OLV098A12A	1.00	1.01
EN(A,D)4X37*17**	*9MX*0801714A**	1.01	0.95	ENH4X42L**	OLV112A16A	1.00	0.98
EN(A,D)4X37*17**	*9MX*0601714A**	1.01	0.95	ENH4X42*21**	OMV098J12A	1.01	1.01

HEATING Multiplying Factors for other Indoor Combinations

Indoor Model	Furnace Model	CAPACITY (MBh)	Power (AMPS)	Indoor Model	Furnace Model	CAPACITY (MBh)	Power (AMPS)
EN(A,D)4X37*17**	*9MX*0801716A**	1.01	0.95	ED*4X36J**	-	1.00	1.03
EN(A,D)4X43*24**	*8MV*1352422**	0.99	0.91	ENH4X42*21**	*9MA*1002120A**	0.99	0.99
EN(A,D)4X43*24**	*9MA*1202422A**	1.00	0.93	EHD4X36A**	*9MVX080	0.97	0.92
EN(A,D)4X43*24**	*9MV*1202422A**	1.00	0.93	ENH4X36*17**	OLV154F20A	1.01	0.98
EN(A,D,W)4X36*17**	*8MV*0901716**	0.97	0.99	EHD4X42A**	*8MPV100	0.97	0.91
EN(A,D,W)4X36*17**	*8MX*0701716**	0.99	1.02	EHD4X36A**	*9MPV075	0.97	0.97
EN(A,D,W)4X36*17**	*9MA*0601714A**	0.98	1.02	ENH4X42*21**	*9MV*1002116A**	1.00	0.99
EN(A,D,W)4X36*17**	*9MA*0801714A**	0.98	1.01	EHD4X36A**	*9MVX060	0.97	0.95
EN(A,D,W)4X36*17**	*9MV*0601714A**	0.99	1.02	EHD4X36A**	OLV098A12A	1.01	1.00
EN(A,D,W)4X36*17**	*9MV*0801716A**	0.99	1.01	EHD4X36A**	OLV112A16A	1.01	0.98
EN(A,D,W)4X36*17**	*9MX*0601714A**	0.99	1.02	ENH4X43*21**	OMV098J12A	1.01	0.96
EN(A,D,W)4X36*17**	*9MX*0801716A**	0.99	1.01	ED*4X42F**	-	0.99	1.01
EN(A,D,W)4X42*21**	*8MV*1102120**	0.99	0.98	ED*4X42J**	*9MA*1002120A**	0.99	0.99
EN(A,D,W)4X42*21**	*8MX*0902116**	0.99	0.97	EHD4X36A**	*9MPV100	0.97	0.93
EN(A,D,W)4X42*21**	*8MX*1102120**	0.99	0.96	EA*4X36*21A*	*9MV*1002116A**	0.99	0.99
EN(A,D,W)4X42*21**	*9MA*0601714A**	0.99	1.01	ENH4X43*21**	*9MV*1002116A**	1.00	0.94
EN(A,D,W)4X42*21**	*9MA*0801714A**	0.99	1.00	EHD4X42A**	*9MVX060	0.97	0.94
EN(A,D,W)4X42*21**	*9MV*0601714A**	1.00	1.01	EHD4X42A**	OLV098A12A	1.01	0.99
EN(A,D,W)4X42*21**	*9MV*0801716A**	1.00	0.99	EHD4X42A**	OLV112A16A	1.01	0.97
EN(A,D,W)4X42*21**	*9MX*0601714A**	1.00	1.00	ED*4X36F**	OMV112K14A	0.99	1.00
EN(A,D,W)4X42*21**	*9MX*0801716A**	0.99	0.99	ED*4X42J**	-	0.99	1.01
END4X42*17**	*8MV*0901716**	0.99	0.97	ED*4X36J**	*8MPV125	0.97	0.94
END4X42*17**	*8MX*0701716**	0.99	0.98	EHD4X42A**	*9MPV075	0.97	0.95
END4X42*17**	*9MA*0601714A**	0.99	1.00	ED*4X36F**	*9MVX040	0.97	1.01
END4X42*17**	*9MA*0801714A**	0.99	0.99	EN(A,D)4X36*21**	*9MVX060	1.01	1.02
END4X42*17**	*9MV*0601714A**	1.01	0.99	EN(A,D)4X36*21**	OLV098A12A	0.99	1.03
END4X42*17**	*9MV*0801716A**	1.00	0.98	EN(A,D)4X36*21**	OLV112A16A	1.00	1.01
END4X42*17**	*9MX*0601714A**	1.01	0.99	ED*4X42F**	OMV112K14A	0.99	0.99
END4X42*17**	*9MX*0801716A**	0.99	0.98	ED*4X42L**	-	0.97	0.99
ENH4X36*17**	*8MV*0701412**	0.97	1.00	EHD4X42A**	*8MPV050	0.97	0.97
ENH4X36*17**	*8MV*0901716**	0.97	0.99	ED*4X42J**	*8MPV125	0.97	0.93
ENH4X36*17**	*8MV*1102120**	0.97	0.98	ED*4X42L**	*9MA*1002120A**	0.99	0.98
ENH4X36*17**	*8MV*1352422**	0.97	0.98	ENH4X43*21**	*9MA*1002120A**	1.00	0.94
ENH4X36*17**	*8MX*0451408**	0.99	1.03	EN(A,D,W)4X36*17**	*9MPV050	1.01	1.05
ENH4X36*17**	*8MX*0701716**	0.99	1.02	EN(A,D)4X36*21**	*9MPV075	1.00	1.03

HEATING Multiplying Factors for other Indoor Combinations

Indoor Model	Furnace Model	CAPACITY (MBh)	Power (AMPS)	Indoor Model	Furnace Model	CAPACITY (MBh)	Power (AMPS)
ENH4X36*17**	*8MX*0902116**	0.97	0.98	EHD4X42A**	*9MPV100	0.97	0.91
ENH4X36*17**	*8MX*1102120**	0.97	0.97	EA*4X42*21A*	*9MV*1002116A**	1.00	0.98
ENH4X36*17**	*9MA*0601714A**	0.98	1.02	ED*4X42F**	*9MVX040	0.97	0.99
ENH4X36*17**	*9MA*0801714A**	0.98	1.01	EN(A,D)4X37*17**	*9MVX060	1.02	0.96
ENH4X36*17**	*9MA*1202422A**	0.98	1.00	EHD4X42A**	*9MVX080	0.97	0.91
ENH4X36*17**	*9MV*0601714A**	0.99	1.02	EN(A,D)4X37*17**	OLV098A12A	1.01	0.96
ENH4X36*17**	*9MV*0801716A**	0.99	1.01	EN(A,D)4X43*24**	OLV112A16A	1.01	0.93
ENH4X36*17**	*9MV*1202422A**	0.98	1.00	ENH4X42*21**	OLV154F20A	1.01	0.96
ENH4X36*17**	*9MX*0601714A**	0.99	1.02	EHD4X36A**	OMV112K14A	1.01	0.98
ENH4X36*17**	*9MX*0801716A**	0.99	1.01	EHD4X36A**	-	0.99	0.98
ENH4X42*21**	*8MV*0701412**	0.97	0.98	ED*4X36F**	*8MPV075	0.97	0.98
ENH4X42*21**	*8MV*0901716**	0.97	0.97	EHD4X36A**	*8MPV125	0.97	0.92
ENH4X42*21**	*8MV*1102120**	0.97	0.96	EHD4X36A**	*9MA*1002120A**	0.99	0.98
ENH4X42*21**	*8MV*1352422**	0.97	0.96	ED*4X36F**	*9MPV050	0.97	1.00
ENH4X42*21**	*8MX*0451408**	0.97	0.99	EN(A,D,W)4X42*21**	*9MPV050	1.01	1.03
ENH4X42*21**	*8MX*0701716**	0.97	0.98	EN(A,D)4X37*17**	*9MPV075	1.02	0.96
ENH4X42*21**	*8MX*0902116**	0.97	0.95	EN(A,D)4X36*21**	*9MPV100	1.00	1.00
ENH4X42*21**	*8MX*1102120**	0.97	0.94	EA*4X42*24A*	*9MV*1002116A**	1.00	0.98
ENH4X42*21**	*9MA*0601714A**	0.99	1.01	EHD4X36A**	*9MVX040	0.97	0.98
ENH4X42*21**	*9MA*0801714A**	0.99	1.00	EN(A,D,W)4X36*17**	*9MVX060	1.01	1.03
ENH4X42*21**	*9MA*1202422A**	0.99	0.98	EN(A,D)4X36*21**	*9MVX080	1.01	0.99
ENH4X42*21**	*9MV*0601714A**	1.00	1.01	EN(A,D,W)4X36*17**	OLV098A12A	0.99	1.03
ENH4X42*21**	*9MV*0801716A**	1.00	0.99	EN(A,D,W)4X42*21**	OLV112A16A	1.01	0.99
ENH4X42*21**	*9MV*1202422A**	0.99	0.98	ENH4X43*21**	OLV154F20A	1.01	0.91
ENH4X42*21**	*9MX*0601714A**	1.00	1.00	EHD4X42A**	OMV112K14A	1.01	0.97
ENH4X42*21**	*9MX*0801716A**	0.99	0.99	EHD4X42A**	-	0.97	0.95
ENH4X43*21**	*8MV*0701412**	0.99	0.94	ED*4X42F**	*8MPV075	0.97	0.96
ENH4X43*21**	*8MV*0901716**	0.99	0.92	EHD4X42A**	*8MPV125	0.97	0.90
ENH4X43*21**	*8MV*1102120**	0.99	0.92	EHD4X42A**	*9MA*1002120A**	0.99	0.97
ENH4X43*21**	*8MV*1352422**	0.99	0.92	ED*4X42F**	*9MPV050	0.97	0.99
ENH4X43*21**	*8MX*0451408**	0.99	0.95	END4X42*17**	*9MPV050	1.02	1.02
ENH4X43*21**	*8MX*0701716**	0.99	0.93	EN(A,D,W)4X36*17**	*9MPV075	1.00	1.03
ENH4X43*21**	*8MX*0902116**	0.99	0.91	EN(A,D)4X43*24**	*9MPV100	1.01	0.92
ENH4X43*21**	*8MX*1102120**	0.99	0.90	ED*4X36F**	*9MV*1002116A**	0.99	1.00
ENH4X43*21**	*9MA*0601714A**	1.00	0.96	EHD4X42A**	*9MVX040	0.97	0.97

HEATING Multiplying Factors for other Indoor Combinations

Indoor Model	Furnace Model	CAPACITY (MBh)	Power (AMPS)	Indoor Model	Furnace Model	CAPACITY (MBh)	Power (AMPS)
ENH4X43*21**	*9MA*0801714A**	1.00	0.95	EN(A,D,W)4X42*21**	*9MVX060	1.01	1.01
ENH4X43*21**	*9MA*1202422A**	1.00	0.93	EN(A,D)4X43*24**	*9MVX080	1.01	0.92
ENH4X43*21**	*9MV*0601714A**	1.01	0.95	EN(A,D,W)4X42*21**	OLV098A12A	1.00	1.01
ENH4X43*21**	*9MV*0801716A**	1.00	0.95	ENH4X36*17**	OLV112A16A	1.00	1.01
ENH4X43*21**	*9MV*1202422A**	1.01	0.93	ED*4X36F**	OMV098J12A	1.00	1.02
ENH4X43*21**	*9MX*0601714A**	1.01	0.95	EN(A,D)4X36*21**	OMV112K14A	0.99	1.01
ENH4X43*21**	*9MX*0801716A**	1.01	0.94	EMA4X36D**	-	0.99	1.02
FEA4X36**A*	-	1.00	1.03	EHD4X42A**	MV16J22**B*	0.97	0.91
FEM4P36**A*	-	1.00	1.01	ED*4X42L**	MV20L24**B*	0.97	0.94
FEM4P36**A*	-	1.00	1.01	EHD4X36A**	MV20L24**B*	0.97	0.92
FEM4P42**A*	-	1.00	0.95	EHD4X42A**	MV20L24**B*	0.97	0.91
FEM4P42**A*	-	1.00	0.95	ED*4X36F**	NOMV106D12*	0.97	1.00
FEM4X36****	-	0.99	0.95	EHD4X36A**	NOMV106D12*	0.97	0.97
FEM4X42****	-	1.00	0.96	EHD4X42A**	NOMV106D12*	0.97	0.95
FS(M,U)4P36**A*	-	1.00	1.01	EN(A,D)4X37*17**	NOMV106D12*	0.97	0.92
FS(M,U)4P42**A*	-	1.00	0.98	EN(A,D,W)4X36*17**	NOMV106D12*	0.97	1.00
FS(M,U)4P42**A*	-	0.99	0.96	END4X42*17**	NOMV106D12*	0.97	0.97
FS(M,U)4X42****	-	1.00	1.01	ENH4X42*21**	NOMV106D12*	0.97	0.98
FSM4X36****	-	1.00	1.00	ENH4X43*21**	NOMV106D12*	0.97	0.92
FVM4X24****	-	0.97	0.97	ED*4X36J**	NOMV156E19*	0.97	0.98
FVM4X36****	-	0.97	0.96	ED*4X42J**	NOMV156E19*	0.97	0.97
FVM4X48****	-	0.97	0.91	EHD4X36A**	NOMV156E19*	0.97	0.95
FVM4X60****	-	0.95	0.89	EHD4X42A**	NOMV156E19*	0.97	0.94
FXM4X36**A*	-	1.00	0.94	EN(A,D)4X36*21**	NOMV156E19*	0.97	0.99
FXM4X42**A*	-	1.00	0.94	EN(A,D,W)4X42*21**	NOMV156E19*	0.97	0.97
FXM4X48**A*	-	0.98	0.92	ENH4X36*17**	NOMV156E19*	0.97	0.99

HEATING Multiplying Factors for other Indoor Combinations

Indoor Model	Furnace Model	CAPACITY (MBh)	Power (AMPS)	Indoor Model	Furnace Model	CAPACITY (MBh)	Power (AMPS)
N4H342							
*FS(M,U)4P42**A*	-	1.00	1.00	EN(A,D)4X48*24**	*9MX*1202422A**	0.99	0.96
EA*4X42*21A*	*8MV*1102120**	0.96	0.98	EHD4X42A**	*8MPV100	0.99	0.96
EA*4X42*21A*	*8MX*0902116**	0.96	0.97	EN(A,D)4X48*24**	*9MPV100	0.99	0.97
EA*4X42*21A*	*8MX*1102120**	0.96	0.97	EN(A,D)4X48*24**	*9MPV125	0.99	0.97
EA*4X42*24A*	*8MV*1352422**	0.96	0.97	ED*4X48L**	*9MA*1002120A**	0.98	0.98

HEATING Multiplying Factors for other Indoor Combinations

Indoor Model	Furnace Model	CAPACITY (MBh)	Power (AMPS)	Indoor Model	Furnace Model	CAPACITY (MBh)	Power (AMPS)
EA*4X42*24A*	*8MX*1352420**	0.98	0.98	EN(A,D,W)4X48*21**	*9MV*1002116A**	0.99	0.98
EA*4X42*24A*	*9MV*1202422A**	0.96	0.98	ENH4X43*21**	OLV112A16A	1.00	0.98
EA*4X42*24A*	*9MX*1202422A**	0.98	0.98	EHD4X42A**	-	0.99	0.99
EA*4X48*17A*	*8MV*0901716**	0.98	0.96	ENH4X43*21**	NOMV156E19*	0.96	0.94
EA*4X48*17A*	*8MX*0701716**	1.00	1.00	EN(A,D,W)4X48*21**	*9MPV075	1.00	1.02
EA*4X48*17A*	*9MA*0601714A**	0.99	1.00	EHD4X42A**	*9MVX080	0.99	0.97
EA*4X48*17A*	*9MA*0801714A**	0.98	0.98	EN(A,D,W)4X42*21**	*9MVX080	0.99	1.00
EA*4X48*17A*	*9MV*0601714A**	0.99	0.99	EHD4X42A**	*9MX*1002116A**	0.98	0.98
EA*4X48*17A*	*9MV*0801716A**	0.99	0.99	ED*4X48F**	OLV112A16A	1.00	0.99
EA*4X48*17A*	*9MX*0601714A**	0.99	0.99	EHD4X42A**	OMV112K14A	0.99	0.99
EA*4X48*17A*	*9MX*0801716A**	0.99	0.98	EA*4X48*17A*	-	1.01	1.00
EA*4X48*21A*	*8MV*1102120**	0.98	0.96	EHD4X48A**	*8MPV100	0.99	0.96
EA*4X48*21A*	*8MX*0902116**	0.98	0.96	EN(A,D,W)4X42*21**	*9MPV100	0.98	0.99
EA*4X48*21A*	*8MX*1102120**	0.98	0.95	ENH4X48*21**	*9MPV125	0.99	0.97
EA*4X48*21A*	*9MA*0801714A**	0.98	0.99	EN(A,D,W)4X48*21**	*9MVX080	0.99	0.97
EA*4X48*21A*	*9MV*0601714A**	0.99	1.00	EHD4X48A**	*9MX*1002116A**	0.99	0.98
EA*4X48*21A*	*9MV*0801716A**	0.98	0.99	ED*4X48J**	OLV112A16A	0.99	0.99
EA*4X48*21A*	*9MX*0601714A**	0.99	1.00	EHD4X48A**	OMV112K14A	0.99	0.98
EA*4X48*21A*	*9MX*0801716A**	0.99	0.99	EA*4X48*21A*	-	1.01	1.02
EA*4X48*24A*	*8MV*1352422**	0.98	0.95	EHD4X42A**	*9MA*1002120A**	0.98	0.98
EA*4X48*24A*	*8MX*1352420**	0.98	0.95	ENH4X43*21**	*9MV*1002116A**	0.99	0.96
EA*4X48*24A*	*9MA*1202422A**	0.96	0.96	EHD4X48A**	*9MVX100	0.99	0.97
EA*4X48*24A*	*9MV*1202422A**	0.98	0.96	ENH4X48*21**	OLV112A16A	0.99	0.98
EA*4X48*24A*	*9MX*1202422A**	0.99	0.96	EHD4X48A**	-	0.99	0.98
ED*4X42J**	*8MV*1102120**	0.96	0.98	ED*4X42J**	*8MPV125	0.96	0.96
ED*4X42J**	*8MX*0902116**	0.96	0.97	EN(A,D,W)4X48*21**	*9MPV100	0.99	0.97
ED*4X42J**	*8MX*1102120**	0.96	0.97	EA*4X48*21A*	*9MV*1002116A**	0.99	0.99
ED*4X42J**	*9MV*1202422A**	0.96	0.98	ED*4X42L**	OLV154F20A	0.99	0.98
ED*4X42J**	*9MX*1202422A**	0.98	0.98	EMA4X48D**	-	0.99	1.00
ED*4X42L**	*8MV*1352422**	0.96	0.97	EHD4X48A**	*9MA*1002120A**	0.98	0.98
ED*4X42L**	*8MX*1352420**	0.96	0.97	ENH4X48*21**	*9MV*1002116A**	0.99	0.98
ED*4X42L**	*9MV*1202422A**	0.96	0.98	ED*4X48L**	OLV154F20A	1.00	0.96
ED*4X42L**	*9MX*1202422A**	0.98	0.98	EN(A,D)4X43*24**	-	0.99	0.97
ED*4X48F**	*8MV*0901716**	0.96	0.95	ENH4X48*21**	NOMV156E19*	0.96	0.96
ED*4X48F**	*8MX*0701716**	0.99	0.99	ENH4X43*21**	*9MPV075	1.00	0.99

HEATING Multiplying Factors for other Indoor Combinations

Indoor Model	Furnace Model	CAPACITY (MBh)	Power (AMPS)	Indoor Model	Furnace Model	CAPACITY (MBh)	Power (AMPS)
ED*4X48F**	*9MA*0601714A**	0.99	1.00	EHD4X48A**	*9MVX080	0.99	0.96
ED*4X48F**	*9MA*0801714A**	0.98	0.98	ENH4X42*21**	*9MVX080	0.99	1.00
ED*4X48F**	*9MV*0601714A**	0.99	0.99	EN(A,D)4X43*24**	*9MX*1002116A**	0.99	0.96
ED*4X48F**	*9MV*0801716A**	0.99	0.99	ED*4X48L**	OLV112A16A	0.99	0.99
ED*4X48F**	*9MX*0601714A**	0.99	0.99	EN(A,D,W)4X48*21**	OMV112K14A	0.99	0.99
ED*4X48F**	*9MX*0801716A**	0.99	0.98	EA*4X48*24A*	-	1.01	1.02
ED*4X48J**	*8MV*1102120**	0.96	0.95	ED*4X48J**	*8MPV125	0.99	0.96
ED*4X48J**	*8MX*0902116**	0.96	0.95	ENH4X42*21**	*9MPV100	0.98	0.99
ED*4X48J**	*8MX*1102120**	0.96	0.94	EA*4X48*24A*	*9MV*1002116A**	0.99	0.98
ED*4X48J**	*9MA*1202422A**	0.98	0.98	EN(A,D)4X43*24**	*9MVX100	0.99	0.95
ED*4X48J**	*9MA*1202422A**	0.98	0.98	EN(A,D)4X48*24**	*9MVX100	0.99	0.97
ED*4X48J**	*9MV*1202422A**	0.98	0.97	EHD4X42A**	OLV154F20A	1.00	0.96
ED*4X48J**	*9MX*1202422A**	0.99	0.97	EN(A,D)4X48*24**	-	0.99	0.99
ED*4X48L**	*9MX*1202422A**	0.99	0.97	EN(A,D,W)4X42*21**	-	0.99	1.02
ED*4X48L**	*8MV*1352422**	0.96	0.94	EN(A,D)4X43*24**	*9MA*1002120A**	0.98	0.95
ED*4X48L**	*8MX*1352420**	0.96	0.94	ED*4X48F**	*9MVX060	0.99	0.99
ED*4X48L**	*9MA*1202422A**	0.96	0.96	ENH4X48*21**	*9MVX100	0.99	0.97
ED*4X48L**	*9MV*1202422A**	0.98	0.96	EHD4X48A**	OLV154F20A	1.00	0.96
ED*4X48L**	*9MX*1202422A**	0.99	0.96	EN(A,D,W)4X48*21**	-	0.99	0.99
EHD4X42A**	*8MV*0701412**	0.96	0.97	EHD4X42A**	NOMV156E19*	0.96	0.96
EHD4X42A**	*8MV*0901716**	0.96	0.95	ED*4X42F**	*8MPV075	0.96	0.99
EHD4X42A**	*8MV*1102120**	0.96	0.95	EHD4X42A**	*8MPV125	0.99	0.96
EHD4X42A**	*8MV*1352422**	0.96	0.94	EN(A,D)4X48*24**	*9MA*1002120A**	0.98	0.98
EHD4X42A**	*8MX*0701716**	0.96	0.97	ENH4X48*21**	*9MPV075	1.00	1.02
EHD4X42A**	*8MX*0902116**	0.96	0.95	ENH4X43*21**	*9MPV100	1.00	0.96
EHD4X42A**	*8MX*1102120**	0.96	0.94	ED*4X48F**	*9MV*1002116A**	0.99	0.98
EHD4X42A**	*8MX*1352420**	0.96	0.95	EHD4X42A**	*9MVX060	0.99	1.00
EHD4X42A**	*9MA*0801714A**	0.98	0.99	ENH4X43*21**	*9MVX080	1.00	0.96
EHD4X42A**	*9MA*1202422A**	0.98	0.98	EA*4X48*21A*	*9MX*1002116A**	0.98	0.98
EHD4X42A**	*9MV*0601714A**	0.99	1.00	EN(A,D)4X48*24**	*9MX*1002116A**	0.98	0.98
EHD4X42A**	*9MV*0801716A**	0.99	0.99	EHD4X42A**	OLV112A16A	1.00	1.00
EHD4X42A**	*9MV*1202422A**	0.98	0.96	EN(A,D)4X43*24**	OLV154F20A	1.00	0.94
EHD4X42A**	*9MX*0601714A**	0.99	1.00	END4X42*17**	OMV112K14A	0.99	1.01
EHD4X42A**	*9MX*0801716A**	0.99	0.99	ED*4X42F**	-	1.00	1.03
EHD4X42A**	*9MX*1202422A**	0.99	0.97	END4X42*17**	-	0.99	1.00

HEATING Multiplying Factors for other Indoor Combinations

Indoor Model	Furnace Model	CAPACITY (MBh)	Power (AMPS)	Indoor Model	Furnace Model	CAPACITY (MBh)	Power (AMPS)
EHD4X48A**	*8MV*0701412**	0.96	0.96	EHD4X48A**	NOMV156E19*	0.96	0.95
EHD4X48A**	*8MV*0901716**	0.96	0.95	ED*4X48F**	*8MPV075	0.99	0.98
EHD4X48A**	*8MV*1102120**	0.96	0.94	EHD4X48A**	*8MPV125	0.99	0.95
EHD4X48A**	*8MV*1352422**	0.96	0.94	EN(A,D,W)4X48*21**	*9MA*1002120A**	0.98	0.98
EHD4X48A**	*8MX*0701716**	0.99	0.99	ED*4X42J**	*9MPV100	0.96	0.97
EHD4X48A**	*8MX*0902116**	0.96	0.94	ENH4X48*21**	*9MPV100	0.99	0.97
EHD4X48A**	*8MX*1102120**	0.96	0.94	ED*4X48J**	*9MV*1002116A**	0.99	0.99
EHD4X48A**	*8MX*1352420**	0.96	0.94	EHD4X48A**	*9MVX060	0.99	0.99
EHD4X48A**	*9MA*0601714A**	0.98	0.99	EN(A,D)4X43*24**	*9MVX080	1.00	0.95
EHD4X48A**	*9MA*0801714A**	0.98	0.99	ENH4X48*21**	*9MVX080	0.99	0.97
EHD4X48A**	*9MA*1202422A**	0.98	0.96	EA*4X48*24A*	*9MX*1002116A**	0.98	0.98
EHD4X48A**	*9MV*0601714A**	0.99	1.00	EN(A,D,W)4X48*21**	*9MX*1002116A**	0.98	0.98
EHD4X48A**	*9MV*0801716A**	0.99	0.99	EHD4X48A**	OLV112A16A	1.00	0.99
EHD4X48A**	*9MV*1202422A**	0.98	0.96	EN(A,D)4X48*24**	OLV154F20A	1.00	0.96
EHD4X48A**	*9MX*0601714A**	0.99	0.99	ENH4X43*21**	OMV112K14A	0.99	0.97
EHD4X48A**	*9MX*0801716A**	0.99	0.98	ED*4X42J**	-	0.99	1.02
EHD4X48A**	*9MX*1202422A**	0.99	0.96	ENH4X42*21**	-	0.96	0.99
EN(A,D)4X43*24**	*8MV*1352422**	0.96	0.92	ENH4X43*21**	*9MA*1002120A**	0.98	0.96
EN(A,D)4X43*24**	*8MX*1352420**	0.98	0.92	EN(A,D,W)4X48*21**	*9MVX060	1.00	1.01
EN(A,D)4X43*24**	*9MA*1202422A**	0.98	0.95	ED*4X48F**	*9MX*1002116A**	0.99	0.98
EN(A,D)4X43*24**	*9MV*1202422A**	0.98	0.94	ENH4X42*21**	OLV154F20A	0.99	0.98
EN(A,D)4X43*24**	*9MX*1202422A**	0.99	0.94	ENH4X43*21**	-	0.96	0.95
EN(A,D)4X48*24**	*8MV*1352422**	0.96	0.94	ENH4X48*21**	*9MA*1002120A**	0.98	0.98
EN(A,D)4X48*24**	*8MX*1352420**	0.96	0.94	ENH4X43*21**	*9MVX060	1.00	0.98
EN(A,D)4X48*24**	*9MA*1202422A**	0.96	0.96	ED*4X48J**	*9MX*1002116A**	0.98	0.98
EN(A,D)4X48*24**	*9MV*1202422A**	0.98	0.96	ENH4X43*21**	OLV154F20A	1.00	0.94
EN(A,D,W)4X42*21**	*8MV*1102120**	0.96	0.98	EA*4X48*21A*	*9MA*1002120A**	0.98	0.98
EN(A,D,W)4X42*21**	*8MX*0902116**	0.96	0.98	ED*4X42L**	*9MPV125	0.96	0.97
EN(A,D,W)4X42*21**	*8MX*1102120**	0.96	0.97	ED*4X48L**	*9MV*1002116A**	0.99	0.98
EN(A,D,W)4X48*21**	*8MV*1102120**	0.96	0.95	EA*4X48*24A*	*9MA*1002120A**	0.98	0.98
EN(A,D,W)4X48*21**	*8MX*0902116**	0.96	0.94	ED*4X48L**	*9MPV125	0.99	0.97
EN(A,D,W)4X48*21**	*8MX*1102120**	0.96	0.94	EHD4X42A**	*9MV*1002116A**	0.99	0.98
EN(A,D,W)4X48*21**	*8MX*1352420**	0.98	0.99	ED*4X42L**	*9MVX100	0.96	0.97
EN(A,D,W)4X48*21**	*9MA*0601714A**	0.99	1.00	ENH4X43*21**	*9MX*1002116A**	0.99	0.97
EN(A,D,W)4X48*21**	*9MV*0601714A**	0.99	0.99	EN(A,D)4X43*24**	OLV112A16A	1.00	0.97

HEATING Multiplying Factors for other Indoor Combinations

Indoor Model	Furnace Model	CAPACITY (MBh)	Power (AMPS)	Indoor Model	Furnace Model	CAPACITY (MBh)	Power (AMPS)
EN(A,D,W)4X48*21**	*9MX*0601714A**	0.99	0.99	ENH4X48*21**	OMV112K14A	0.99	0.99
EN(A,D,W)4X48*21**	*9MX*0801716A**	0.99	0.98	ED*4X42L**	-	0.99	1.02
END4X42*17**	*8MV*0901716**	0.96	0.97	EHD4X42A**	*8MPV075	0.99	0.98
END4X42*17**	*8MX*0701716**	0.96	0.99	ED*4X48J**	*9MPV100	0.99	0.98
END4X42*17**	*9MX*0801716A**	0.99	1.00	ED*4X48F**	-	0.99	0.98
ENH4X42*21**	*8MV*0701412**	0.96	1.00	EN(A,D,W)4X42*21**	NOMV156E19*	0.96	0.99
ENH4X42*21**	*8MV*0901716**	0.96	0.98	EHD4X48A**	*8MPV075	0.99	0.98
ENH4X42*21**	*8MV*1102120**	0.96	0.98	ED*4X48F**	*9MA*1002120A**	0.98	0.97
ENH4X42*21**	*8MV*1352422**	0.96	0.97	ED*4X48F**	*9MPV075	0.99	1.00
ENH4X42*21**	*8MX*0701716**	0.96	1.00	EHD4X42A**	*9MPV100	0.99	0.97
ENH4X42*21**	*8MX*0902116**	0.96	0.98	EHD4X42A**	*9MPV125	0.99	0.97
ENH4X42*21**	*8MX*1102120**	0.96	0.97	EHD4X48A**	*9MV*1002116A**	0.99	0.98
ENH4X42*21**	*8MX*1352420**	0.96	0.98	ENH4X48*21**	*9MVX060	1.00	1.01
ENH4X43*21**	*8MV*0701412**	0.96	0.95	EN(A,D,W)4X48*21**	NOMV156E19*	0.96	0.96
ENH4X43*21**	*8MV*0901716**	0.96	0.93	ED*4X42J**	*8MPV100	0.96	0.96
ENH4X43*21**	*8MV*1102120**	0.96	0.93	ED*4X48J**	*9MA*1002120A**	0.98	0.98
ENH4X43*21**	*8MV*1352422**	0.96	0.92	EHD4X42A**	*9MPV075	0.99	1.00
ENH4X43*21**	*8MX*0701716**	0.98	0.96	EHD4X48A**	*9MPV100	0.99	0.97
ENH4X43*21**	*8MX*0902116**	0.98	0.93	EHD4X48A**	*9MPV125	0.99	0.96
ENH4X43*21**	*8MX*1102120**	0.98	0.93	EN(A,D)4X48*24**	*9MV*1002116A**	0.98	0.95
ENH4X43*21**	*8MX*1352420**	0.98	0.93	ED*4X42J**	*9MVX080	0.99	1.00
ENH4X43*21**	*9MA*0601714A**	0.99	0.99	EN(A,D)4X48*24**	*9MVX080	0.99	0.97
ENH4X43*21**	*9MA*0801714A**	0.98	0.97	ED*4X48L**	*9MVX100	0.99	0.97
ENH4X43*21**	*9MA*1202422A**	0.98	0.95	ED*4X48J**	*9MX*1002116A**	0.98	0.98
ENH4X43*21**	*9MV*0601714A**	1.00	0.99	ENH4X48*21**	*9MX*1002116A**	0.98	0.98
ENH4X43*21**	*9MV*0801716A**	0.99	0.97	EN(A,D)4X48*24**	OLV112A16A	0.99	0.98
ENH4X43*21**	*9MV*1202422A**	0.99	0.96	ENH4X48*21**	OLV154F20A	1.00	0.96
ENH4X43*21**	*9MX*0601714A**	0.99	0.98	EA*4X42*21A*	-	1.00	1.03
ENH4X43*21**	*9MX*0801716A**	1.00	0.98	ED*4X48J**	-	0.99	0.99
ENH4X48*21**	*8MV*0701412**	0.96	0.97	ENH4X42*21**	NOMV156E19*	0.96	0.99
ENH4X48*21**	*8MV*0901716**	0.96	0.95	ED*4X48J**	*8MPV100	0.99	0.96
ENH4X48*21**	*8MV*1102120**	0.96	0.95	ED*4X48J**	*9MA*1002120A**	0.98	0.98
ENH4X48*21**	*8MV*1352422**	0.96	0.94	EHD4X48A**	*9MPV075	0.99	1.00
ENH4X48*21**	*8MX*0701716**	0.96	0.97	EN(A,D)4X43*24**	*9MPV100	1.00	0.95
ENH4X48*21**	*8MX*0902116**	0.96	0.94	EN(A,D)4X43*24**	*9MPV125	0.99	0.94

HEATING Multiplying Factors for other Indoor Combinations

Indoor Model	Furnace Model	CAPACITY (MBh)	Power (AMPS)	Indoor Model	Furnace Model	CAPACITY (MBh)	Power (AMPS)
ENH4X48*21**	*8MX*1102120**	0.96	0.94	EN(A,D)4X48*24**	*9MV*1002116A**	0.99	0.98
ENH4X48*21**	*8MX*1352420**	0.96	0.94	ED*4X48J**	*9MVX080	0.99	0.97
ENH4X48*21**	*9MA*0801714A**	0.98	0.99	EHD4X42A**	*9MVX100	0.99	0.97
ENH4X48*21**	*9MA*1202422A**	0.96	0.96	ED*4X48L**	*9MX*1002116A**	0.98	0.98
ENH4X48*21**	*9MV*0601714A**	0.99	1.00	ED*4X42L**	OLV112A16A	0.99	1.02
ENH4X48*21**	*9MV*0801716A**	0.99	0.99	EN(A,D,W)4X48*21**	OLV112A16A	0.99	0.98
ENH4X48*21**	*9MV*1202422A**	0.98	0.96	ED*4X48F**	OMV112K14A	0.99	0.98
ENH4X48*21**	*9MX*0601714A**	0.99	0.99	EA*4X42*24A*	-	1.00	1.03
ENH4X48*21**	*9MX*0801716A**	0.99	0.98	ED*4X48L**	-	0.99	0.99
FEM4P42**A*	-	0.99	0.98	ENH4X42*21**	*9MX*1202422A**	0.98	0.99
FEM4P42**A*	-	0.99	0.98	ENH4X43*21**	*9MX*1202422A**	0.99	0.94
FEM4P48**A*	-	0.99	0.97	ENH4X48*21**	*9MX*1202422A**	0.99	0.96
FEM4P48**A*	-	0.98	0.95	ED*4X42F**	MV12F19**B*	0.96	0.96
FEM4X42****	-	0.98	0.96	ED*4X48F**	MV12F19**B*	0.96	0.92
FEM4X48****	-	0.99	0.95	EHD4X42A**	MV12F19**B*	0.96	0.93
FS(M,U)4P42**A*	-	1.00	1.00	EHD4X48A**	MV12F19**B*	0.96	0.93
FS(M,U)4P48**A*	-	0.99	0.97	ED*4X42J**	MV16J22**B*	0.96	0.96
FS(M,U)4P48**A*	-	0.99	0.97	ED*4X48J**	MV16J22**B*	0.96	0.93
FS(M,U)4X42****	-	0.99	1.02	EHD4X42A**	MV16J22**B*	0.96	0.93
FS(M,U)4X48****	-	0.99	0.99	EHD4X48A**	MV16J22**B*	0.96	0.92
FVM4X36****	-	0.96	0.97	ED*4X42L**	MV20L24**B*	0.96	0.96
FVM4X48****	-	0.96	0.93	ED*4X48L**	MV20L24**B*	0.96	0.93
FVM4X60****	-	0.98	0.92	EHD4X42A**	MV20L24**B*	0.96	0.93
FXM4X42**A*	-	0.99	0.97	EHD4X48A**	MV20L24**B*	0.96	0.92
FXM4X48**A*	-	0.99	0.94	ED*4X42J**	NOMV156E19*	0.96	0.99
FXM4X60**A*	-	1.00	0.92	ED*4X48J**	NOMV156E19*	0.96	0.96
-	-	-	-	ENH4X48*21**	-	0.99	0.99

HEATING Multiplying Factors for other Indoor Combinations

Indoor Model	Furnace Model	CAPACITY (MBh)	Power (AMPS)	Indoor Model	Furnace Model	CAPACITY (MBh)	Power (AMPS)
N4H348							
*FS(M,U)4P48**A*	-	1.00	1.00	EHD4X60A**	*9MPV100	0.97	0.96
EA*4X48*21A*	-	1.00	1.02	EHD4X60A**	*9MPV125	0.97	0.96
EA*4X48*24A*	*8MX*1352420**	0.98	0.99	EHD4X60A**	MV16J22**B*	0.97	0.94
EA*4X48*24A*	*8MV*1352422**	0.98	0.99	EHD4X60A**	MV20L24**B*	0.97	0.94

HEATING Multiplying Factors for other Indoor Combinations

Indoor Model	Furnace Model	Indoor Model	Power (AMPS)	CAPACITY (MBh)	Power (AMPS)	Indoor Model	Furnace Model	CAPACITY (MBh)	Power (AMPS)
EA*4X48*24A*	-	EN(A,D)4X48*24**	1.02	1.00	1.02	EN(A,D)4X48*24**	*8MX*1352420**	0.97	0.98
EA*4X60*21A*	*8MX*0902116**	EN(A,D)4X48*24**	0.99	0.99	0.99	EN(A,D)4X48*24**	*8MV*1352422**	0.97	0.98
EA*4X60*21A*	*8MX*1102120**	EN(A,D)4X48*24**	0.97	0.98	0.97	EN(A,D)4X48*24**	*9MPVX080	0.99	1.01
EA*4X60*21A*	*8MV*1102120**	EN(A,D)4X48*24**	0.99	0.98	0.99	EN(A,D)4X48*24**	*9MPVX100	0.99	1.01
EA*4X60*21A*	*9MV*1002120A**	EN(A,D)4X48*24**	0.98	0.98	0.98	EN(A,D)4X48*24**	OLV154F20A	1.00	1.00
EA*4X60*21A*	-	EN(A,D)4X48*24**	1.02	1.01	1.02	EN(A,D)4X48*24**	-	1.00	1.02
EA*4X60*24A*	*8MX*1352420**	EN(A,D)4X48*24**	0.99	0.99	0.99	EN(A,D)4X48*24**	*9MPV100	0.99	1.01
EA*4X60*24A*	*8MV*1352422**	EN(A,D)4X48*24**	0.98	0.98	0.98	EN(A,D)4X48*24**	*9MPV125	0.99	1.01
EA*4X60*24A*	*9MX*1202422A**	EN(A,D)4X61*24**	0.99	0.99	0.99	EN(A,D)4X61*24**	*8MX*1352420**	0.97	0.94
EA*4X60*24A*	*9MV*0802120A**	EN(A,D)4X61*24**	0.99	0.98	0.99	EN(A,D)4X61*24**	*8MV*1352422**	0.97	0.94
EA*4X60*24A*	*9MV*1002120A**	EN(A,D)4X61*24**	0.98	0.98	0.98	EN(A,D)4X61*24**	*9MX*1202422A**	0.99	0.96
EA*4X60*24A*	*9MV*1202422A**	EN(A,D)4X61*24**	0.99	0.99	0.99	EN(A,D)4X61*24**	*9MV*1202422A**	0.98	0.97
EA*4X60*24A*	-	EN(A,D)4X61*24**	1.02	1.01	1.02	EN(A,D)4X61*24**	*9MA*1202422A**	0.98	0.97
ED*4X48F**	*8MV*0901716**	EN(A,D)4X61*24**	0.99	0.97	0.99	EN(A,D)4X61*24**	*9MVX080	1.00	0.98
ED*4X48F**	-	EN(A,D)4X61*24**	1.03	1.00	1.03	EN(A,D)4X61*24**	*9MVX100	1.00	0.98
ED*4X48J**	*8MX*0902116**	EN(A,D)4X61*24**	0.99	0.97	0.99	EN(A,D)4X61*24**	*9MX*1002116A**	1.00	0.99
ED*4X48J**	*8MX*1102120**	EN(A,D)4X61*24**	0.98	0.97	0.98	EN(A,D)4X61*24**	*9MV*1002116A**	0.99	0.99
ED*4X48J**	*8MV*1102120**	EN(A,D)4X61*24**	1.00	0.97	1.00	EN(A,D)4X61*24**	*9MA*1002120A**	0.99	0.99
ED*4X48J**	NOMV156E19*	EN(A,D)4X61*24**	1.00	0.97	1.00	EN(A,D)4X61*24**	OLV112A16A	1.00	1.01
ED*4X48J**	*9MVX080	EN(A,D)4X61*24**	1.00	0.97	1.00	EN(A,D)4X61*24**	OLV154F20A	1.01	0.97
ED*4X48J**	-	EN(A,D)4X61*24**	1.02	1.00	1.02	EN(A,D)4X61*24**	-	1.00	0.99
ED*4X48J**	*8MPV100	EN(A,D)4X61*24**	0.98	0.97	0.98	EN(A,D)4X61*24**	*9MPV100	1.00	0.98
ED*4X48J**	*8MPV125	EN(A,D)4X61*24**	0.98	0.97	0.98	EN(A,D)4X61*24**	*9MPV125	1.00	0.98
ED*4X48J**	*9MPV100	EN(A,D,W)4X48*21**	1.00	0.97	1.00	EN(A,D,W)4X48*21**	*8MX*0902116**	0.97	0.98
ED*4X48J**	MV16J22**B*	EN(A,D,W)4X48*21**	0.96	0.97	0.96	EN(A,D,W)4X48*21**	*8MX*1102120**	0.97	0.97
ED*4X48L**	*8MX*1352420**	EN(A,D,W)4X48*21**	0.98	0.97	0.98	EN(A,D,W)4X48*21**	*8MV*1102120**	0.97	0.99
ED*4X48L**	*8MV*1352422**	EN(A,D,W)4X48*21**	0.98	0.97	0.98	EN(A,D,W)4X48*21**	NOMV156E19*	0.97	1.00
ED*4X48L**	*9MVX100	EN(A,D,W)4X48*21**	0.99	0.97	0.99	EN(A,D,W)4X48*21**	*9MVX080	0.99	1.01
ED*4X48L**	OLV154F20A	EN(A,D,W)4X48*21**	1.00	1.00	1.00	EN(A,D,W)4X48*21**	-	1.00	1.02
ED*4X48L**	-	EN(A,D,W)4X48*21**	1.02	1.00	1.02	EN(A,D,W)4X48*21**	*9MPV100	0.99	1.01
ED*4X48L**	*9MPV125	EN(A,D,W)4X60*24**	0.98	0.97	0.98	EN(A,D,W)4X60*24**	*8MX*1352420**	0.97	0.96
ED*4X48L**	MV20L24**B*	EN(A,D,W)4X60*24**	0.96	0.97	0.96	EN(A,D,W)4X60*24**	*8MV*1352422**	0.97	0.97
ED*4X60J**	*8MX*0902116**	EN(A,D,W)4X60*24**	0.97	0.97	0.97	EN(A,D,W)4X60*24**	*9MX*1202422A**	0.99	0.99
ED*4X60J**	*8MX*1102120**	EN(A,D,W)4X60*24**	0.96	0.97	0.96	EN(A,D,W)4X60*24**	*9MV*0802120A**	0.98	0.99
ED*4X60J**	*8MV*1102120**	EN(A,D,W)4X60*24**	0.98	0.97	0.98	EN(A,D,W)4X60*24**	*9MV*1002120A**	0.98	0.98

HEATING Multiplying Factors for other Indoor Combinations

Indoor Model	Furnace Model	Indoor Model	Furnace Model	Power (AMPS)	CAPACITY (MBh)	Indoor Model	Furnace Model	Power (AMPS)	CAPACITY (MBh)
ED*4X60J**	*9MX*0802120A**	EN(A,D,W)4X60*24**	*9MV*1202422A**	0.99	0.99	EN(A,D,W)4X60*24**	*9MV*1202422A**	0.99	0.98
ED*4X60J**	*9MX*1002120A**	EN(A,D,W)4X60*24**	*9MVX080	0.98	0.98	EN(A,D,W)4X60*24**	*9MVX080	0.98	1.00
ED*4X60J**	*9MX*1202422A**	EN(A,D,W)4X60*24**	*9MVX100	0.99	0.99	EN(A,D,W)4X60*24**	*9MVX100	0.99	0.99
ED*4X60J**	*9MV*1002120A**	EN(A,D,W)4X60*24**	OLV154F20A	0.98	0.98	EN(A,D,W)4X60*24**	OLV154F20A	0.98	1.01
ED*4X60J**	*9MV*1202422A**	EN(A,D,W)4X60*24**	-	0.98	0.98	EN(A,D,W)4X60*24**	-	0.98	1.01
ED*4X60J**	*9MA*1002122A**	EN(A,D,W)4X60*24**	*9MPV100	0.98	0.98	EN(A,D,W)4X60*24**	*9MPV100	0.98	0.99
ED*4X60J**	NOMV156E19*	EN(A,D,W)4X60*24**	*9MPV125	0.98	0.97	EN(A,D,W)4X60*24**	*9MPV125	0.98	0.99
ED*4X60J**	*9MVX080	ENH4X48*21**	*8MX*0902116**	0.98	0.97	ENH4X48*21**	*8MX*0902116**	0.98	0.97
ED*4X60J**	-	ENH4X48*21**	*8MX*1102120**	1.01	1.00	ENH4X48*21**	*8MX*1102120**	1.01	0.97
ED*4X60J**	*8MPV100	ENH4X48*21**	*8MX*1352420**	0.96	0.97	ENH4X48*21**	*8MX*1352420**	0.96	0.97
ED*4X60J**	MV16J22**B*	ENH4X48*21**	*8MV*0901716**	0.95	0.97	ENH4X48*21**	*8MV*0901716**	0.95	1.00
ED*4X60L**	*8MX*1352420**	ENH4X48*21**	*8MV*1102120**	0.97	0.97	ENH4X48*21**	*8MV*1102120**	0.97	0.98
ED*4X60L**	*8MX*1352420**	ENH4X48*21**	NOMV156E19*	0.97	0.97	ENH4X48*21**	NOMV156E19*	0.97	0.97
ED*4X60L**	*8MX*1352420**	ENH4X48*21**	*9MVX080	0.97	0.97	ENH4X48*21**	*9MVX080	0.97	0.99
ED*4X60L**	*8MV*1352422**	ENH4X48*21**	*9MV*1102120**	0.97	0.97	ENH4X48*21**	*9MV*1102120**	0.97	0.99
ED*4X60L**	*8MV*1352422**	ENH4X48*21**	OLV154F20A	0.97	0.97	ENH4X48*21**	OLV154F20A	0.97	1.00
ED*4X60L**	*9MX*0802120A**	ENH4X48*21**	-	0.99	0.99	ENH4X48*21**	-	0.99	1.00
ED*4X60L**	*9MX*1002120A**	ENH4X48*21**	*9MPV100	0.98	0.98	ENH4X48*21**	*9MPV100	0.98	0.99
ED*4X60L**	*9MX*1202422A**	ENH4X48*21**	*9MPV125	0.99	0.99	ENH4X48*21**	*9MPV125	0.99	0.99
ED*4X60L**	*9MX*1202422A**	ENH4X60*24**	*8MX*0701716**	0.99	0.99	ENH4X60*24**	*8MX*0701716**	0.99	0.97
ED*4X60L**	*9MV*0802120A**	ENH4X60*24**	*8MX*0902116**	0.99	0.98	ENH4X60*24**	*8MX*0902116**	0.99	0.97
ED*4X60L**	*9MV*1002120A**	ENH4X60*24**	*8MX*1102120**	0.98	0.98	ENH4X60*24**	*8MX*1102120**	0.98	0.97
ED*4X60L**	*9MV*1202422A**	ENH4X60*24**	*8MX*1352420**	0.99	0.99	ENH4X60*24**	*8MX*1352420**	0.99	0.96
ED*4X60L**	*9MA*1002122A**	ENH4X60*24**	*8MV*0901716**	0.98	0.98	ENH4X60*24**	*8MV*0901716**	0.98	0.98
ED*4X60L**	*9MVX100	ENH4X60*24**	*8MV*1352422**	0.97	0.97	ENH4X60*24**	*8MV*1352422**	0.97	0.98
ED*4X60L**	OLV154F20A	ENH4X60*24**	*8MV*1352422**	0.99	1.01	ENH4X60*24**	*8MV*1352422**	0.99	0.97
ED*4X60L**	-	ENH4X60*24**	*9MX*1202422A**	1.01	1.00	ENH4X60*24**	*9MX*1202422A**	1.01	0.99
ED*4X60L**	*9MPV125	ENH4X60*24**	*9MV*0802120A**	0.97	0.97	ENH4X60*24**	*9MV*0802120A**	0.97	0.99
ED*4X60L**	MV20L24**B*	ENH4X60*24**	*9MV*1002120A**	0.95	0.97	ENH4X60*24**	*9MV*1002120A**	0.95	0.98
EHD4X48A**	*8MX*0902116**	ENH4X60*24**	*9MV*1202422A**	0.98	0.97	ENH4X60*24**	*9MV*1202422A**	0.98	0.98
EHD4X48A**	*8MX*1102120**	ENH4X60*24**	NOMV156E19*	0.97	0.97	ENH4X60*24**	NOMV156E19*	0.97	0.98
EHD4X48A**	*8MX*1352420**	ENH4X60*24**	*9MVX080	0.98	0.97	ENH4X60*24**	*9MVX080	0.98	1.01
EHD4X48A**	*8MV*0901716**	ENH4X60*24**	*9MVX100	0.99	0.97	ENH4X60*24**	*9MVX100	0.99	0.99
EHD4X48A**	*8MV*1102120**	ENH4X60*24**	OLV154F20A	0.98	0.97	ENH4X60*24**	OLV154F20A	0.98	1.01

HEATING Multiplying Factors for other Indoor Combinations

Indoor Model	Furnace Model	Indoor Model	Power (AMPS)	CAPACITY (MBh)	Indoor Model	Furnace Model	Power (AMPS)	CAPACITY (MBh)
EHD4X48A**	*8MV*1352422**	ENH4X60*24**	0.97	0.97	ENH4X60*24**	-	0.97	1.00
EHD4X48A**	NOMV156E19*	ENH4X60*24**	0.99	0.97	ENH4X60*24**	*9MPV100	0.99	1.00
EHD4X48A**	*9MVX080	ENH4X60*24**	0.98	0.97	ENH4X60*24**	*9MPV125	0.98	0.99
EHD4X48A**	*9MVX100	ENH4X61*24**	0.98	0.97	ENH4X61*24**	*8MX*0701716**	0.98	0.97
EHD4X48A**	OLV154F20A	ENH4X61*24**	1.01	1.01	ENH4X61*24**	*8MX*0902116**	0.96	0.97
EHD4X48A**	-	ENH4X61*24**	1.01	1.00	ENH4X61*24**	*8MX*1102120**	0.95	0.97
EHD4X48A**	*8MPV100	ENH4X61*24**	0.97	0.97	ENH4X61*24**	*8MX*1352420**	0.96	0.97
EHD4X48A**	*8MPV125	ENH4X61*24**	0.97	0.97	ENH4X61*24**	*8MV*0901716**	0.97	0.97
EHD4X48A**	*9MPV100	ENH4X61*24**	0.98	0.97	ENH4X61*24**	*8MV*1102120**	0.97	0.97
EHD4X48A**	*9MPV125	ENH4X61*24**	0.98	0.97	ENH4X61*24**	*8MV*1352422**	0.96	0.97
EHD4X48A**	MV16J22**B*	ENH4X61*24**	0.95	0.97	ENH4X61*24**	*9MX*1202422A**	0.98	0.99
EHD4X48A**	MV20L24**B*	ENH4X61*24**	0.95	0.97	ENH4X61*24**	*9MV*1202422A**	0.99	0.99
EHD4X60A**	*8MX*0701716**	ENH4X61*24**	1.00	0.97	ENH4X61*24**	NOMV156E19*	0.97	0.97
EHD4X60A**	*8MX*0902116**	ENH4X61*24**	0.96	0.97	ENH4X61*24**	*9MVX080	1.00	0.99
EHD4X60A**	*8MX*1102120**	ENH4X61*24**	0.95	0.97	ENH4X61*24**	*9MVX100	0.99	0.99
EHD4X60A**	*8MX*1352420**	ENH4X61*24**	0.95	0.97	ENH4X61*24**	OLV154F20A	1.01	0.99
EHD4X60A**	*8MV*0901716**	ENH4X61*24**	0.97	0.97	ENH4X61*24**	-	1.00	1.00
EHD4X60A**	*8MV*1102120**	ENH4X61*24**	0.97	0.97	ENH4X61*24**	*9MPV100	1.00	1.00
EHD4X60A**	*8MV*1352422**	ENH4X61*24**	0.96	0.97	ENH4X61*24**	*9MPV125	1.00	0.99
EHD4X60A**	*9MX*1202422A**	FEM4P48**A*	0.98	0.99	FEM4P48**A*	-	0.97	0.99
EHD4X60A**	*9MV*0802120A**	FEM4P48**A*	0.99	0.99	FEM4P48**A*	-	0.97	0.99
EHD4X60A**	*9MV*1002120A**	FEM4P60**A*	0.97	0.98	FEM4P60**A*	-	0.99	0.98
EHD4X60A**	*9MV*1202422A**	FEM4P60**A*	0.98	0.99	FEM4P60**A*	-	0.99	0.98
EHD4X60A**	NOMV156E19*	FEM4X48****	0.97	0.97	FEM4X48****	-	1.00	0.99
EHD4X60A**	*9MVX080	FEM4X60****	0.96	0.97	FEM4X60****	-	0.99	0.95
EHD4X60A**	*9MVX100	FS(M,U)4P48**A*	0.96	0.97	FS(M,U)4P48**A*	-	0.97	0.97
EHD4X60A**	*9MV*1002116A**	FS(M,U)4X48****	1.01	1.00	FS(M,U)4X48****	-	0.97	1.00
EHD4X60A**	OLV112A16A	FS(M,U)4X60**A*	1.02	1.00	FS(M,U)4X60**A*	-	1.00	1.01
EHD4X60A**	OLV154F20A	FVM4X48****	0.98	1.01	FVM4X48****	-	0.97	0.97
EHD4X60A**	-	FVM4X60****	1.00	1.00	FVM4X60****	-	0.97	0.93
EHD4X60A**	*8MPV100	FXM4X48**A*	0.95	0.97	FXM4X48**A*	-	0.97	0.95
EHD4X60A**	*8MPV125	FXM4X60**A*	0.94	0.97	FXM4X60**A*	-	0.99	0.94

HEATING Multiplying Factors for other Indoor Combinations

Indoor Model	Furnace Model	Indoor Model	Power (AMPS)	CAPACITY (MBh)	Indoor Model	Furnace Model	Power (AMPS)	CAPACITY (MBh)
EHD4X48A**	*8MPV100	ENH4X60*24**	0.97	0.97	ENH4X60*24**	-	0.97	1.00
EHD4X48A**	*8MPV125	ENH4X60*24**	0.98	0.97	ENH4X60*24**	*9MPV100	0.98	1.00
EHD4X60A**	*9MPV100	ENH4X60*24**	0.98	0.97	ENH4X60*24**	*9MPV125	0.98	0.99
EHD4X60A**	*9MPV125	ENH4X61*24**	0.98	0.97	ENH4X61*24**	*8MX*0701716**	0.98	0.97
EHD4X60A**	MV16J22**B*	ENH4X61*24**	0.95	0.97	ENH4X61*24**	*8MX*0902116**	0.96	0.97
EHD4X60A**	MV20L24**B*	ENH4X61*24**	0.95	0.97	ENH4X61*24**	*8MX*1102120**	0.95	0.97
EHD4X60A**	*8MX*0701716**	ENH4X61*24**	1.00	0.97	ENH4X61*24**	*8MV*0901716**	0.97	0.97
EHD4X60A**	*8MX*0902116**	ENH4X61*24**	0.96	0.97	ENH4X61*24**	*8MV*1102120**	0.97	0.97
EHD4X60A**	*8MX*1102120**	ENH4X61*24**	0.95	0.97	ENH4X61*24**	*8MV*1352422**	0.96	0.97
EHD4X60A**	*8MX*1352420**	ENH4X61*24**	0.95	0.97	ENH4X61*24**	*9MX*1202422A**	0.98	0.99
EHD4X60A**	*8MV*0901716**	ENH4X61*24**	0.97	0.97	ENH4X61*24**	*9MV*1202422A**	0.99	0.99
EHD4X60A**	*8MV*1102120**	ENH4X61*24**	0.97	0.97	ENH4X61*24**	NOMV156E19*	1.00	1.00
EHD4X60A**	*8MV*1352422**	ENH4X61*24**	0.96	0.97	ENH4X61*24**	*9MPV100	1.00	1.00
EHD4X60A**	*9MX*1202422A**	FEM4P48**A*	0.98	0.99	FEM4P48**A*	*9MPV125	1.00	0.99
EHD4X60A**	*9MV*0802120A**	FEM4P48**A*	0.99	0.99	FEM4P48**A*	-	0.97	0.99
EHD4X60A**	*9MV*1002120A**	FEM4P60**A*	0.97	0.98	FEM4P60**A*	-	0.99	0.98
EHD4X60A**	*9MV*1202422A**	FEM4P60**A*	0.98	0.99	FEM4P60**A*	-	0.99	0.98
EHD4X60A**	NOMV156E19*	FEM4X48****	0.97	0.97	FEM4X48****	-	1.00	0.99
EHD4X60A**	*9MVX080	FEM4X60****	0.96	0.97	FEM4X60****	-	0.99	0.95
EHD4X60A**	*9MVX100	FS(M,U)4P48**A*	0.96	0.97	FS(M,U)4P48**A*	-	0.97	0.97
EHD4X60A**	*9MV*1002116A**	FS(M,U)4X48****	1.01	1.00	FS(M,U)4X48****	-	0.97	1.00
EHD4X60A**	OLV112A16A	FS(M,U)4X60**A*	1.02	1.00	FS(M,U)4X60**A*	-	1.00	1.01
EHD4X60A**	OLV154F20A	FVM4X48****	0.98	1.01	FVM4X48****	-	0.97	0.97
EHD4X60A**	-	FVM4X60****	1.00	1.00	FVM4X60****	-	0.97	0.93
EHD4X60A**	*8MPV100	FXM4X48**A*	0.95	0.97	FXM4X48**A*	-	0.97	0.95
EHD4X60A**	*8MPV125	FXM4X60**A*	0.94	0.97	FXM4X60**A*	-	0.99	0.94

HEATING Multiplying Factors for other Indoor Combinations

N4H360

Indoor Model	Furnace Model	CAPACITY (MBh)	Power (AMPS)	Indoor Model	Furnace Model	CAPACITY (MBh)	Power (AMPS)
*FS(M,U)4X60***	-	1.00	1.00	EHD4X60A**	*9MA*1202422A**	0.99	0.99
EA*4X60*21A*	*8MX*1102120**	0.98	0.98	EHD4X60A**	-	1.00	0.99
EA*4X60*21A*	*8MV*1102120**	0.99	1.00	EHD4X60A**	*8MPV125	1.01	0.99
EA*4X60*21A*	*9MX*0802120A**	0.98	1.01	EHD4X60A**	MV16J22**B*	0.99	0.95
EA*4X60*21A*	*9MV*1002120A**	0.99	1.00	EHD4X60A**	MV20L24**B*	0.99	0.95
EA*4X60*21A*	*9MA*1002122A**	0.99	1.00	EN(A,D)4X61*24**	*8MX*1352420**	0.99	0.97
EA*4X60*21A*	-	0.99	1.00	EN(A,D)4X61*24**	*8MV*1352422**	0.99	0.96
EA*4X60*24A*	*8MX*1352420**	0.98	0.99	EN(A,D)4X61*24**	*9MX*1202422A**	0.99	0.97
EA*4X60*24A*	*8MV*1352422**	0.98	0.98	EN(A,D)4X61*24**	*9MV*1202422A**	0.99	0.98
EA*4X60*24A*	*9MX*0802120A**	0.98	1.01	EN(A,D)4X61*24**	*9MA*1202422A**	0.99	0.97
EA*4X60*24A*	*9MV*1002120A**	0.99	1.00	EN(A,D)4X61*24**	-	1.00	0.98
EA*4X60*24A*	*9MX*1202422A**	0.98	0.99	EN(A,D,W)4X60*24**	*8MX*1352420**	0.99	1.01
EA*4X60*24A*	*9MV*1002120A**	0.99	1.00	EN(A,D,W)4X60*24**	*8MV*1352422**	0.99	1.00
EA*4X60*24A*	*9MA*0802120A**	0.98	0.99	EN(A,D,W)4X60*24**	*9MX*0802120A**	0.98	1.02
EA*4X60*24A*	*9MA*1002122A**	0.98	1.02	EN(A,D,W)4X60*24**	*9MX*1002120A**	0.99	1.01
EA*4X60*24A*	*9MA*1202422A**	0.98	1.00	EN(A,D,W)4X60*24**	*9MX*1202422A**	0.98	1.01
EA*4X60*24A*	-	0.99	1.00	EN(A,D,W)4X60*24**	*9MV*1002120A**	0.99	1.01
ED*4X60J**	*8MX*0902116**	0.98	0.99	EN(A,D,W)4X60*24**	*9MV*1202422A**	0.98	1.01
ED*4X60J**	*8MX*1102120**	0.98	0.98	EN(A,D,W)4X60*24**	*9MA*0802120A**	0.98	1.03
ED*4X60J**	*8MV*1102120**	0.99	0.98	EN(A,D,W)4X60*24**	*9MA*1002122A**	0.98	1.01
ED*4X60J**	*9MX*0802120A**	0.98	1.00	EN(A,D,W)4X60*24**	*9MA*1202422A**	0.98	1.01
ED*4X60J**	*9MV*1002120A**	0.99	1.00	ENH4X60*24**	*8MX*0902116**	0.99	1.02
ED*4X60J**	*9MA*1002122A**	0.99	1.00	ENH4X60*24**	*8MX*1102120**	0.99	1.00
ED*4X60J**	-	0.99	1.00	ENH4X60*24**	*8MX*1352420**	0.99	1.01
ED*4X60J**	*8MPV125	0.98	0.96	ENH4X60*24**	*8MV*1102120**	0.99	1.01
ED*4X60L**	MV16J22**B*	0.98	0.99	ENH4X60*24**	*8MV*1352422**	0.99	1.00
ED*4X60L**	*8MX*1352420**	0.98	0.99	ENH4X60*24**	*9MX*0802120A**	0.98	1.02
ED*4X60L**	*8MV*1352422**	0.98	0.98	ENH4X60*24**	*9MX*1002120A**	0.99	1.01
ED*4X60L**	*9MX*0802120A**	0.98	1.01	ENH4X60*24**	*9MX*1202422A**	0.98	1.01
ED*4X60L**	*9MV*1002120A**	0.99	1.00	ENH4X60*24**	*9MV*1002120A**	0.99	1.01
ED*4X60L**	*9MA*1002120A**	0.98	0.99	ENH4X60*24**	*9MA*0802120A**	0.98	1.03
ED*4X60L**	*9MA*1202422A**	0.99	1.00	ENH4X60*24**	*9MA*1002122A**	0.98	1.01
ED*4X60L**	*9MV*1002120A**	0.98	0.99	ENH4X60*24**	*9MA*0802120A**	0.98	1.03
ED*4X60L**	*9MV*1202422A**	0.98	0.99	ENH4X60*24**	*9MA*1002122A**	0.98	1.01

HEATING Multiplying Factors for other Indoor Combinations

Indoor Model	Furnace Model	CAPACITY (MBh)	Power (AMPS)	Indoor Model	Furnace Model	CAPACITY (MBh)	Power (AMPS)
ED*4X60L**	*9MA*0802120A**	0.98	1.02	ENH4X60*24**	*9MA*1202422A**	0.98	1.01
ED*4X60L**	*9MA*1002122A**	0.99	1.00	ENH4X60*24**	-	1.00	1.02
ED*4X60L**	*9MA*1202422A**	0.98	0.99	ENH4X61*24**	*8MX*1102120**	0.98	0.97
ED*4X60L**	-	0.99	1.00	ENH4X61*24**	*8MX*1352420**	0.98	0.98
ED*4X60L**	MV20L24**B*	0.98	0.96	ENH4X61*24**	*8MV*1102120**	0.99	0.99
EHD4X60A**	*8MX*0902116**	0.99	0.99	ENH4X61*24**	*8MV*1352422**	0.98	0.97
EHD4X60A**	*8MX*1102120**	0.99	0.97	ENH4X61*24**	*9MX*1202422A**	0.98	0.98
EHD4X60A**	*8MX*1352420**	0.99	0.99	ENH4X61*24**	*9MV*1202422A**	0.98	0.98
EHD4X60A**	*8MV*1102120**	1.00	0.99	ENH4X61*24**	*9MA*1202422A**	0.98	0.98
EHD4X60A**	*8MV*1352422**	0.99	0.98	ENH4X61*24**	-	0.99	0.98
EHD4X60A**	*9MX*0802120A**	0.99	1.00	FEM4P60**A*	-	0.99	1.01
EHD4X60A**	*9MX*1002120A**	1.00	1.00	FEM4X48****	-	0.99	1.01
EHD4X60A**	*9MX*1202422A**	0.99	0.99	FEM4X60****	-	0.98	0.95
EHD4X60A**	*9MV*1002120A**	1.00	1.00	FS(M,U)4X60**A*	-	1.00	1.00
EHD4X60A**	*9MV*1202422A**	0.99	0.99	FVM4X60****	-	0.98	0.94
EHD4X60A**	*9MA*0802120A**	0.99	1.01	FXM4X60**A*	-	0.98	0.94
EHD4X60A**	*9MA*1002122A**	0.99	0.99	-	-	-	-