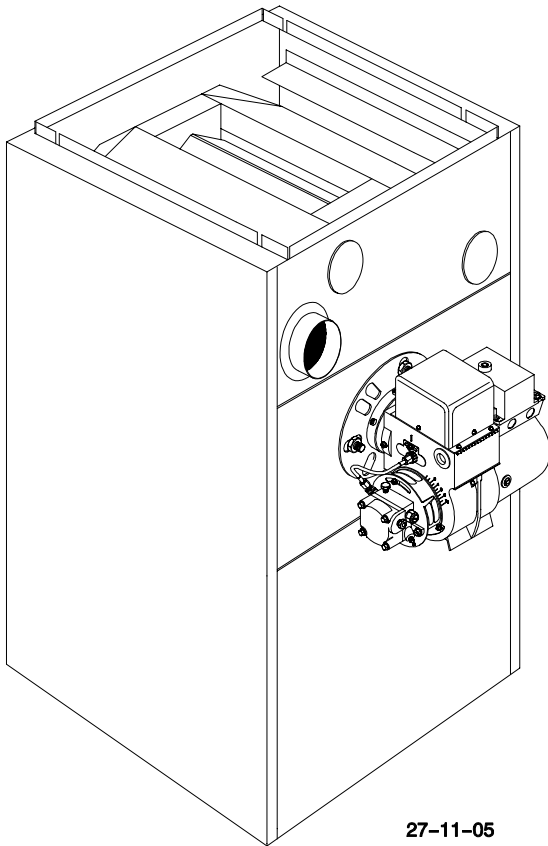


PARTS LIST

AND WIRING DIAGRAM



LUOV Series Direct Vent Oil Furnace

Models

LUOV090REA1

27-11-05



9800161
CERTIFIED/CERTIFIED TO
CAN/CSA B140.4



9800161
CONFORM TO
UL Std. 727

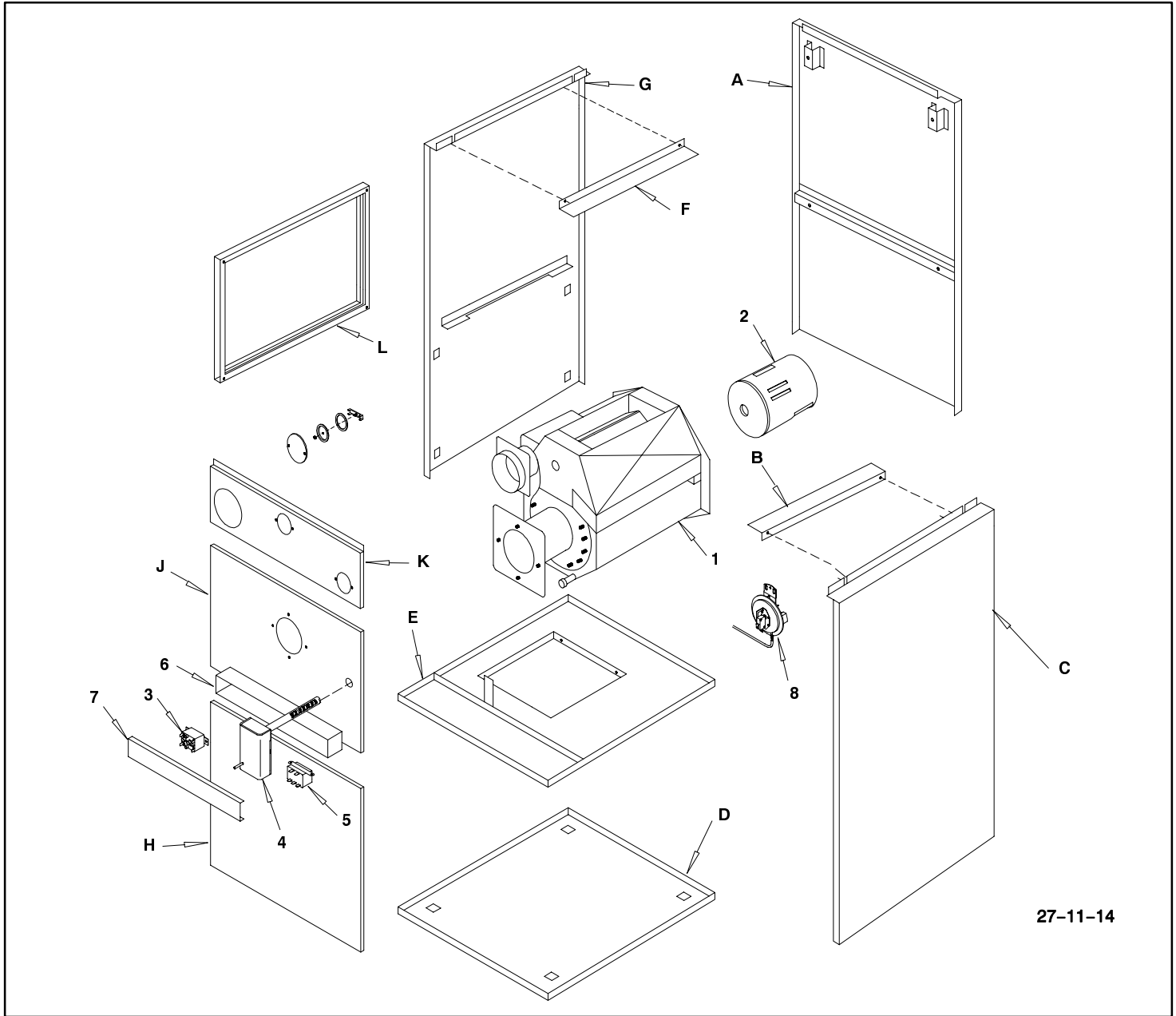
International Comfort Products Corporation (USA)
Lewisburg, TN USA 37091

Save This Manual For Future Reference

Replacement Parts - LUOV

Models - LUOV090REA1

Replacement part supplied will be current active part. For parts not listed, consult place of purchase.



27-11-14

Key No.	Description Functional	Service Part Number	Qty
1	Heat Exchanger	1504002	1
2	Combustion Chamber	1507001	1
3	24V Relay SPST	1006962	1
4	Fan and Limit Control	1007975	1
5	Low Voltage Transformer	050600	1
6	Junction Box	41808056	1
7	Junction Box Cover	41808010	1
8	Air Pressure Switch	1164283	1

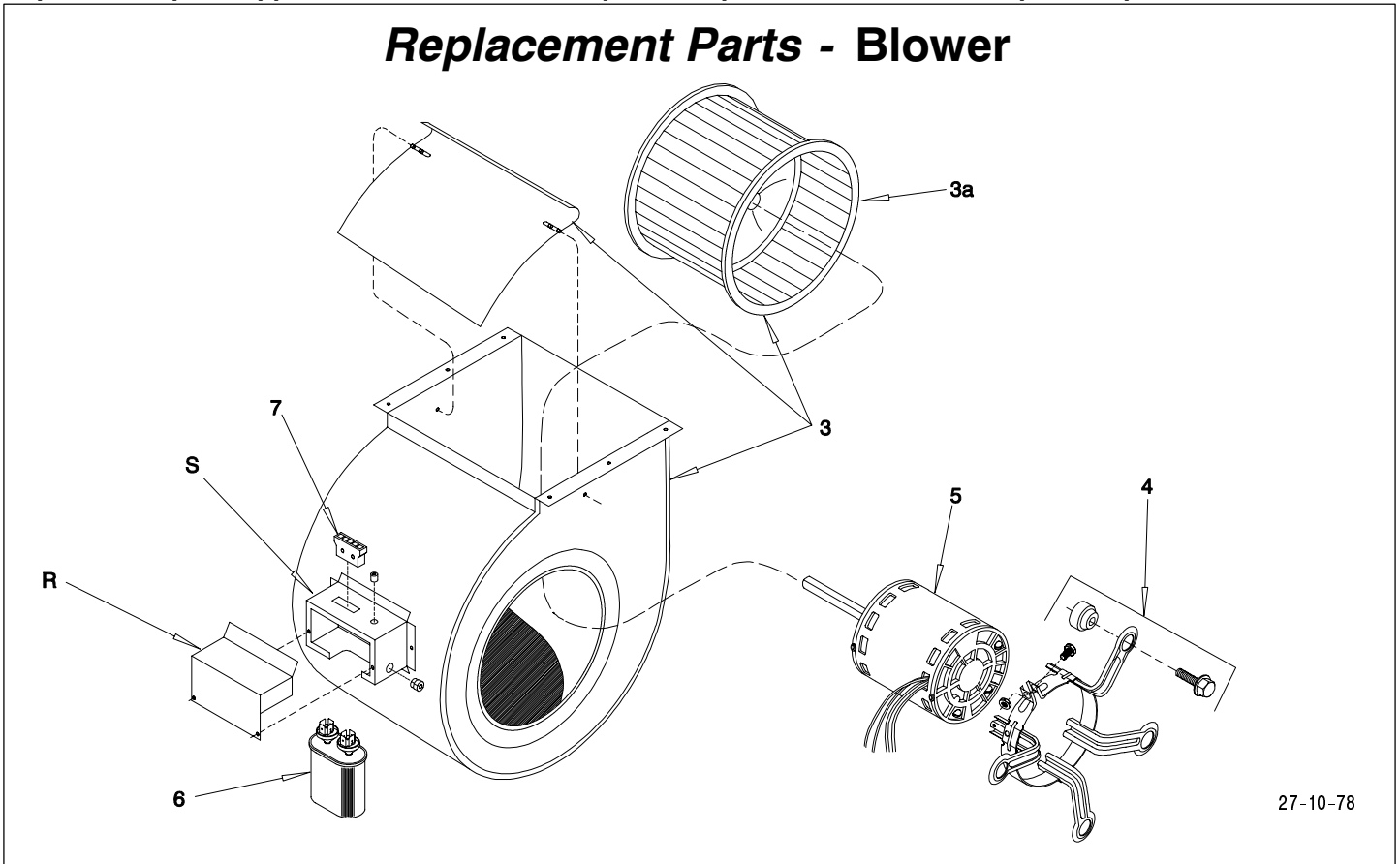
Key No.	Description Non-Functional	Service Part Number	Qty
A	Back Panel	41805011	1
B	Air Baffle Right	41805020	1
C	Side Panel Right	1505018	1
D	Base	41805009	1
E	Blower Partition	1505002	1
F	Air Baffle Left	31805020	1
G	Side Panel Left	11505018	1
H	Blower Access Door	41805021	1
J	Middle Front Panel	1505037	1
K	Top Front Panel	1505036	1
L	Air Filter Rack	1805058	1

Replacement Parts - LUOV

Models - LUOV090REA1

Replacement part supplied will be current active part. For parts not listed, consult place of purchase.

Replacement Parts - Blower



27-10-78

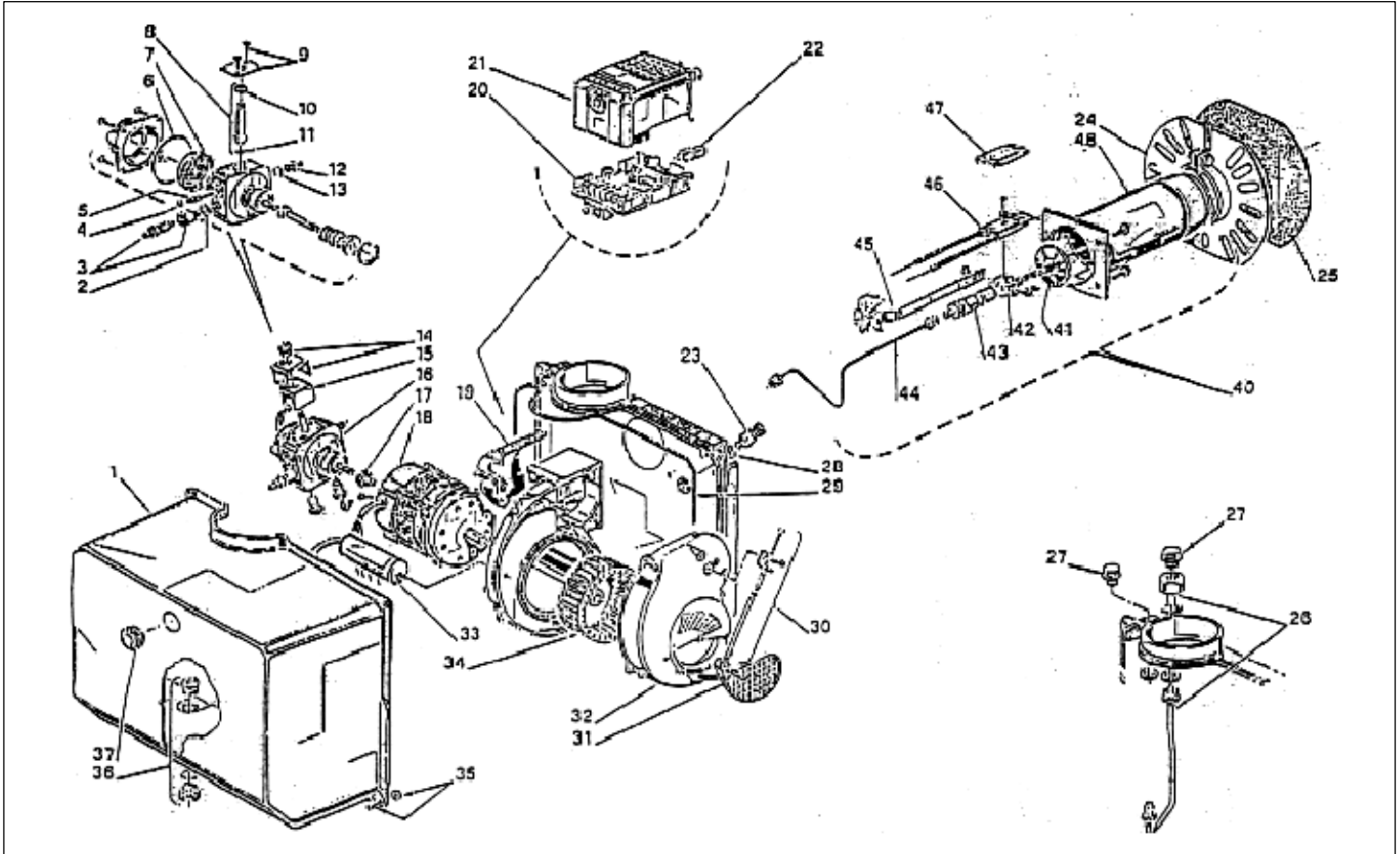
Key No.	Description Functional	Service Part Number	Qty
3	Housing - Wheel Asy.	1162382	1
		1162383	-
		1162384	-
3a	Wheel Only	1162422	1
		1162423	-
		1162424	-
4	Kit for Motor Mount (Inc. No.3)	51890010	1
		51890020	-
		51890030	-
5	Blower Motor $\frac{1}{3}$ HP	0500040	1
6	Capacitor 10.0 MFD 370V	100192	1
7	Terminal Block	96471	1

Key No.	Description Non-Functional	Service Part Number	Qty
R	Junction Box Cover	35071519	1
S	Junction Box	95077	1

Replacement Parts - LUOV

Models - LUOV090REA1

Replacement part supplied will be current active part. For parts not listed, consult place of purchase.



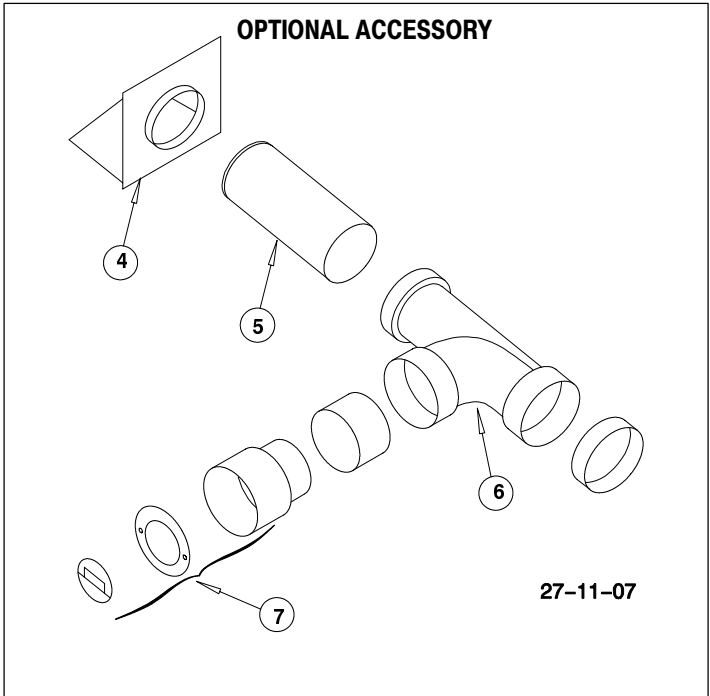
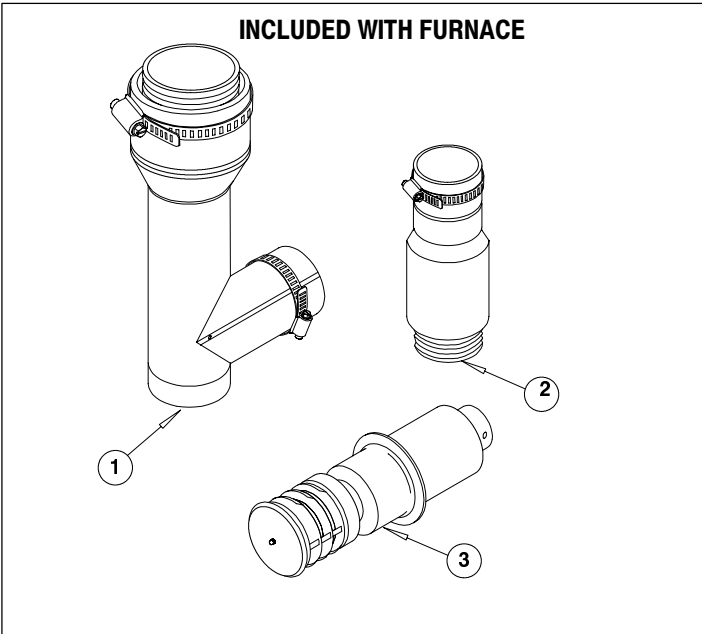
Key No.	Description Functional	Service Part Number	Qty
1	Burner Cover	3008019	1
2	Crushable Metal Washer 3/8" ID	3007077	1
3	Bleeder	3007568	1
4	O-Ring, Pump Pressure Regulator	3007028	1
5	Regulator	N/A	1
6	O-Ring, Pump Cover	7010002	1
7	Pump Screen	3005719	1
8	Valve Screen	3006925	1
9	Plate, Valve Stem Retainer	3007203	1
10	O-Ring, Valve Stem (Upper)	3007029	1
11	O-Ring, Valve Stem (Lower)	3007156	1
12	Nozzle Outlet Fitting	3007268	1
13	Crushable Metal Washer 5/8" ID	3007087	1
14	Coil U-bracket & Retainer Nut	3006553	1
15	Coil	3002279	1
16	Pump	3007802	1
17	Pump Drive Key	3000443	1
18	Motor	3005843	1
19	Air Tube Cover Plate	3007315	1
20	Primary Control Sub Base	3002278	1
21	Primary Control 530 SE/C	3001157	1
22	Photo Cell	3002280	1
23	Electrical Fitting	C5283000	1
24	Universal Mounting Flange	3000932	1
25	Mounting Gasket	3005856	1
26	Oil Supply Tube & Adapter Fitting	3008020	1
27	Plug	3007901	1

Key No.	Description Functional	Service Part Number	Qty
29	Gasket-Burner Cover	3007630	1
30	Manual Air Damper Regulator	3000681	1
31	Air Damper	3008021	1
32	Air Intake Housing	3007207	1
33	Capacitor 12.5	3005844	1
34	Fan	3005708	1
35	Cover Screw and Washer	3007707	1
36	Filter Assembly	3007628	1
37	Plug-Cover Opening-Burner Reset	3007627	1
40	Short Combustion Head 6"	3948875	1
41	Turbulator Disc.	3006968	1
42	Electrode Support	3006966	1
43	Nozzle Adapter	3006965	1
44	Nozzle Oil Tube - short	3008790	1
45	Regulator Assembly - short	3008846	1
46	Electrode Assembly - short	3008789	1
47	Electrode Porcelain	3005869	1
48	End Cone Assembly - short	3008624	1
)	NOT SHOWN		
)	Nozzle 0.50 GPH	1162375	1
	0.65 GPH	1162374	1

Replacement Parts - LUOV

Models - LUOV090REA1

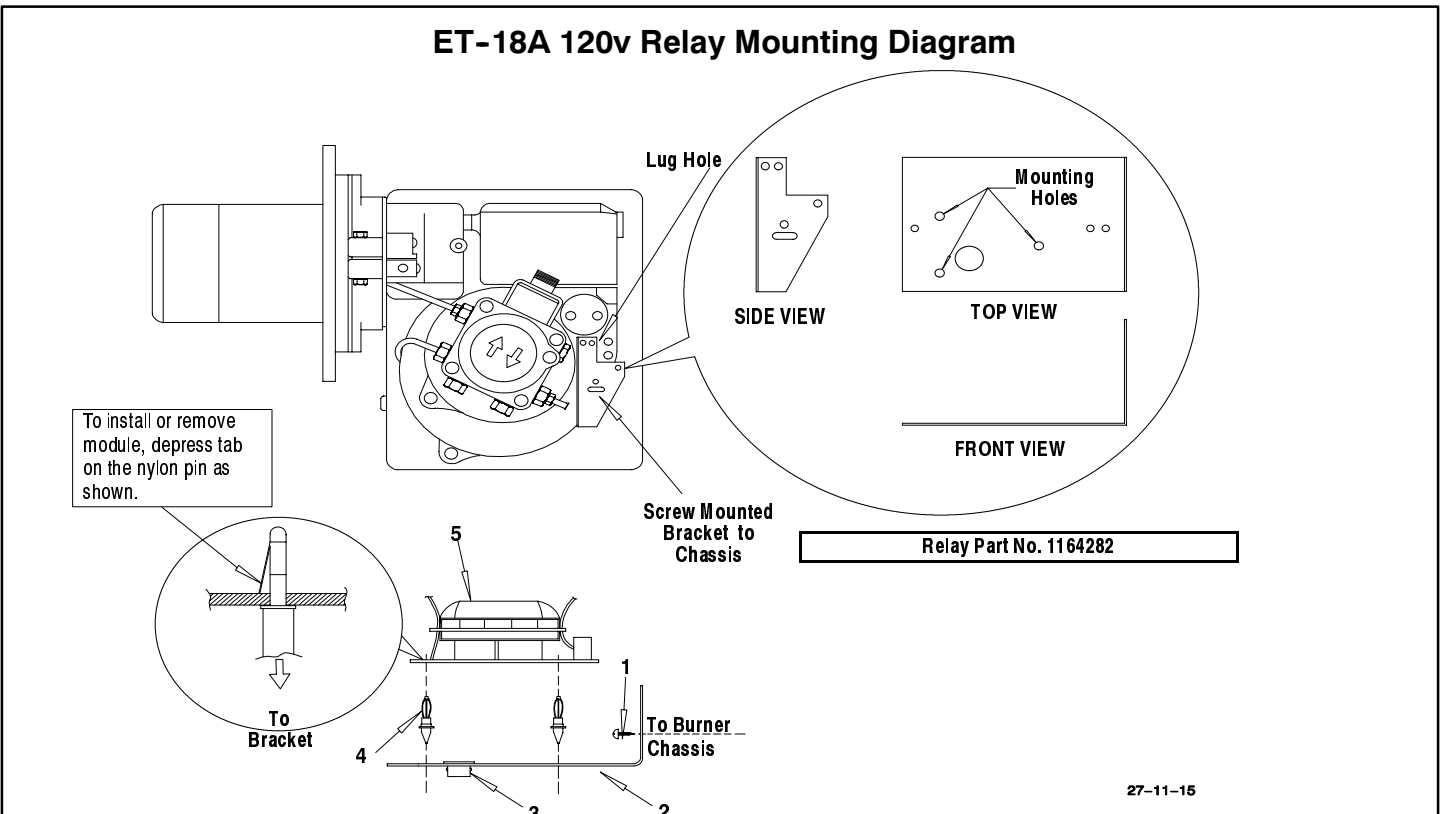
Replacement part supplied will be current active part. For parts not listed, consult place of purchase.



Key No.	Description Functional	Service Part Number	Qty
1	Furnace Vent Adaptor	1507017	1
2	Terminal Adaptor	1507015	1
3	Terminal	15020016	1
) (Not Shown		
) (Vent Pipe (Supplied Canada ONLY)		
	10'	OV310	1
	15'	OV315	1
	20'	OV320	1

Key No.	Description Functional	Service Part Number	Qty
	Kit (includes 4, 5, 6 & 7)	15030016	1
4	Comb. Air Hood	1503002	1
	Kit (includes 5 ABS sleeve, 6 elbow & 7 Flapper)	15030017	1

ET-18A 120v Relay Mounting Diagram



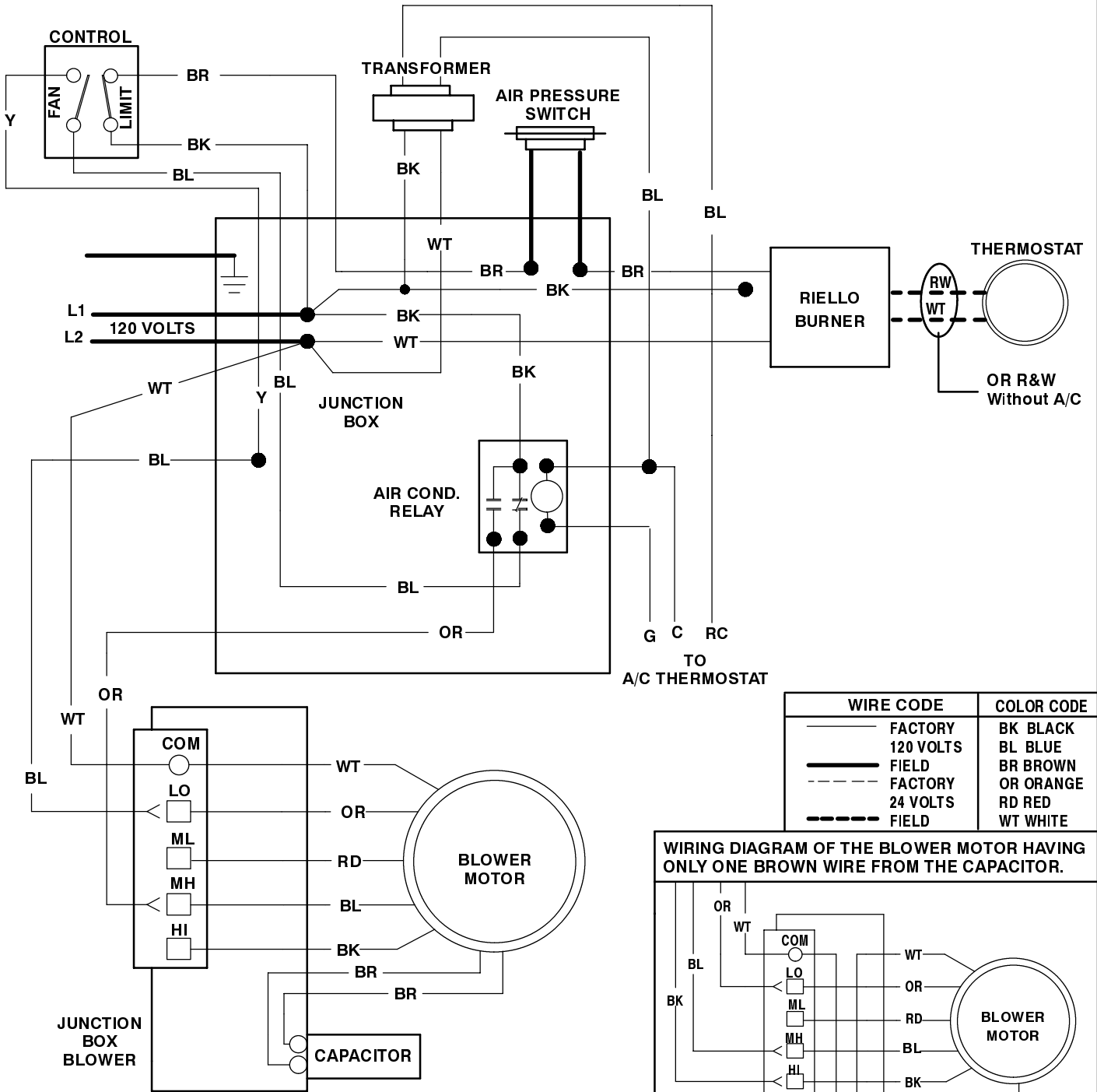
27-11-15

WIRING DIAGRAM MODEL: LUOV090REA1

CONNECTION DIAGRAM

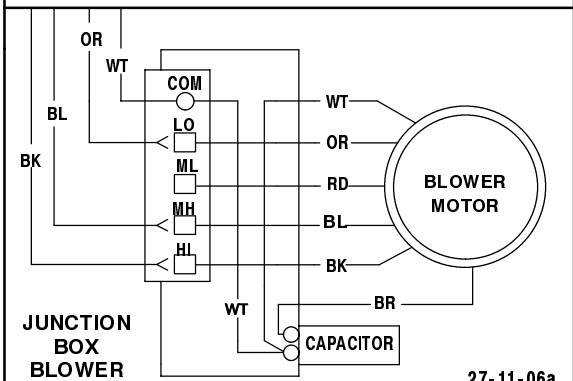
WIRING DIAGRAM OF THE BLOWER MOTOR HAVING ONLY ONE BROWN WIRE FROM THE CAPACITOR.

HEATING ONLY



WIRE CODE	COLOR CODE	
————	FACTORY	BK BLACK
————	120 VOLTS	BL BLUE
————	FIELD	BR BROWN
————	FACTORY	OR ORANGE
————	24 VOLTS	RD RED
————	FIELD	WT WHITE

WIRING DIAGRAM OF THE BLOWER MOTOR HAVING ONLY ONE BROWN WIRE FROM THE CAPACITOR.



IF NECESSARY:
WIRE MUST BE REPLACED WITH THE SAME TYPE:
AWM 105° C 4/64 ISOLATION OR EQUIVALENT.

27-11-06a