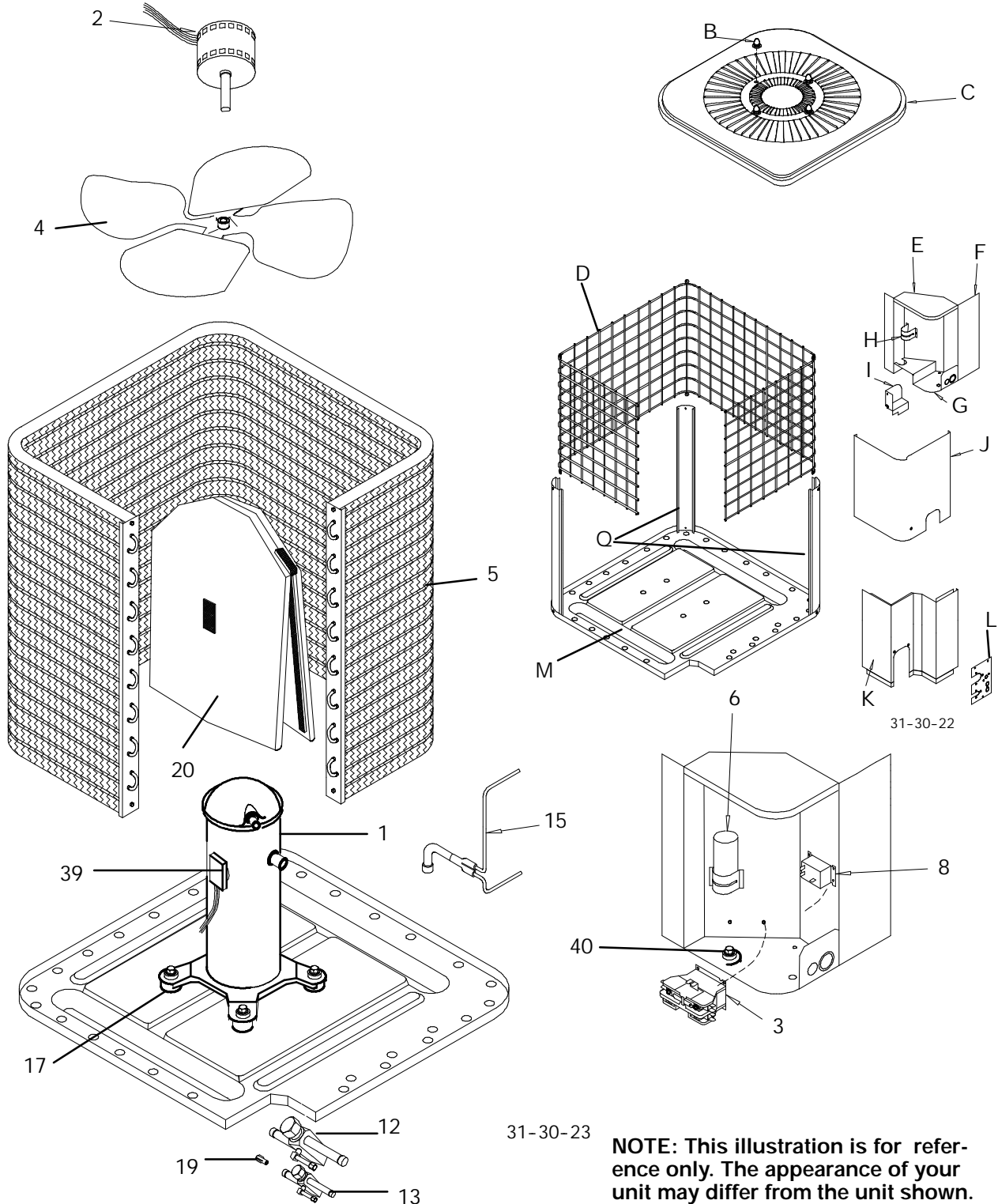


# Replacement Parts - KSSE SERIES



**NOTE:** This illustration is for reference only. The appearance of your unit may differ from the unit shown.

# Replacement Parts - KSSE SERIES

Models - KSSE18GA2, KSSE24GA2, KSSE30GA2, KSSE36GA2

no	DESCRIPTION Functional	Part No.	1	2	3	3
			8	4	0	6
1	COMPRESSOR ZR16KCPFV	1080975	1			
	ZR22KCPFV	1082504	-	1		
	ZR28KCPFV	1082500	-	-	1	
	ZR36KCPFV	1082501	-	-	-	1
2	MOTOR, FAN	1069891	1			
		1069892	-	1	1	1
3	CONTACTOR 25AMP	1050699	1	1	1	1
4	FAN	1080771	1			
		1080775	-	1		
		1080796	-	-	1	1
		1082565	1			
5	CONDENSER	1082566	-	1		
		1082567	-	-	1	
		1082568	-	-	-	1
		1094977	1			
6	CAPACITOR, 30+5MFD,370V	1094977	1			
	35+5MFD,370V	1094978	-	1		
	35+5MFD,440V	1094984	-	-	1	
	40+5MFD,440V	1094987	-	-	-	1
8	CONTROL, 2 SPEED FAN	1053553	1	1	1	1
12	VALVE, SERVICE SUCTION	1080995	1	1	1	1
13	VALVE, SERVICE LIQUID	1080999	1	1	1	1
15	DISTRIBUTOR ASSEMBLY	1082522	-	-	1	1
17	GROMMET, COMPRESSOR	1052060	4	4	4	4
19	RESTRICTOR .051	1053110	1			
	.059	1055236	-	1		
	.065	1093424	-	-	1	
	.072	1069387	-	-	-	1
20	JACKET, SOUND	1081848	1	1	1	1
39	HARNESS W/PLUG	1081940	1	1	1	1
40	SWITCH, LOW AMBIENT	105036	1	1	1	1

no	DESCRIPTION Non- Functional	Part No.	1	2	3	3
			8	4	0	6
B	NUT, CAP	1052962	-	-	-	-
C	PANEL, TOP	1084557	1	1	1	1
D	GRILLE, INLET	1084588	1	1	1	
		1084591	-	-	-	1
E	TOP, CONTROL BOX	1064781	1	1	1	1
F	BOX, CONTROL	1069886	1	1	1	1
G	BOTTOM, CONTROL BOX	1069898	1	1	1	1
H	CLAMP, CAPACITOR	1095021	1	1	1	1
		1064218	-	-	1	
I	DIVIDER, LOW VOLTAGE	1051297	1	1	1	1
J	COVER, CONTROL BOX	1084563	1	1	1	1
K	PANEL, CORNER	1084565	1	1	1	
		1084568	-	-	-	1
L	PLATE, FITTING	1052849	1	1	1	1
M	BASEPAN	1084551	1	1	1	1
Q	POST, CORNER	1084582	3	3	3	
		1084580	-	-	-	3
)	PLATE, VALVE MOUNTING	1081008	-	-	-	-
)	MANUAL, PARTS LIST	42104990200	1	1	1	1
)	MANUAL, INSTALLATION	42101110200	1	1	1	1
)	MANUAL, USERS	42102110200	1	1	1	1
)	PART NOT ILLUSTRATED					