

Parts List Tech Labels, Wiring Diagrams

Models

Three Phase

PAB075N2HB	PAMD75HB
PAB075N2LB	PAMD75FB
PAB075N2SB	PAMD75NB

Single Package Air Conditioners

Save This Manual For Future Reference

ELECTRIC POWER REQUIREMENTS / REFRIGERANT CHARGE

60Hz, 3 Phase -Use copper wire ONLY.

MODEL NUMBER	TOTAL AMPS COOLING	MINIMUM CIRCUIT AMPACITY	POWER WIRING*		MINIMUM GROUND WIRE SIZE	MAXIMUM FUSE OR HACR BREAKER SIZE (AMPS)	TIME DELAY FUSE SIZE	DISCONNECT SWITCH SIZE (AMPS)	REFRIG. CHARGE R-22 OZ. PER CIRCUIT
			MAX. LENGTH FEET	MIN. SIZE AWG					
PAB075N2HB PAMD75HB	31.0	33.7	69	6	10	40	40	***	128
PAB075N2LB PAMD75FB	14.0	15.1	87	8	10	20	20	***	128
PAB075N2SB PAMD75NB	11.8	12.8	67	10	10	15	15	***	128

* Based on National Electric Code, NFPA70, 60°C rated wire.

*** Comply With Local Codes.

CAPACITIES AND AIR DELIVERY

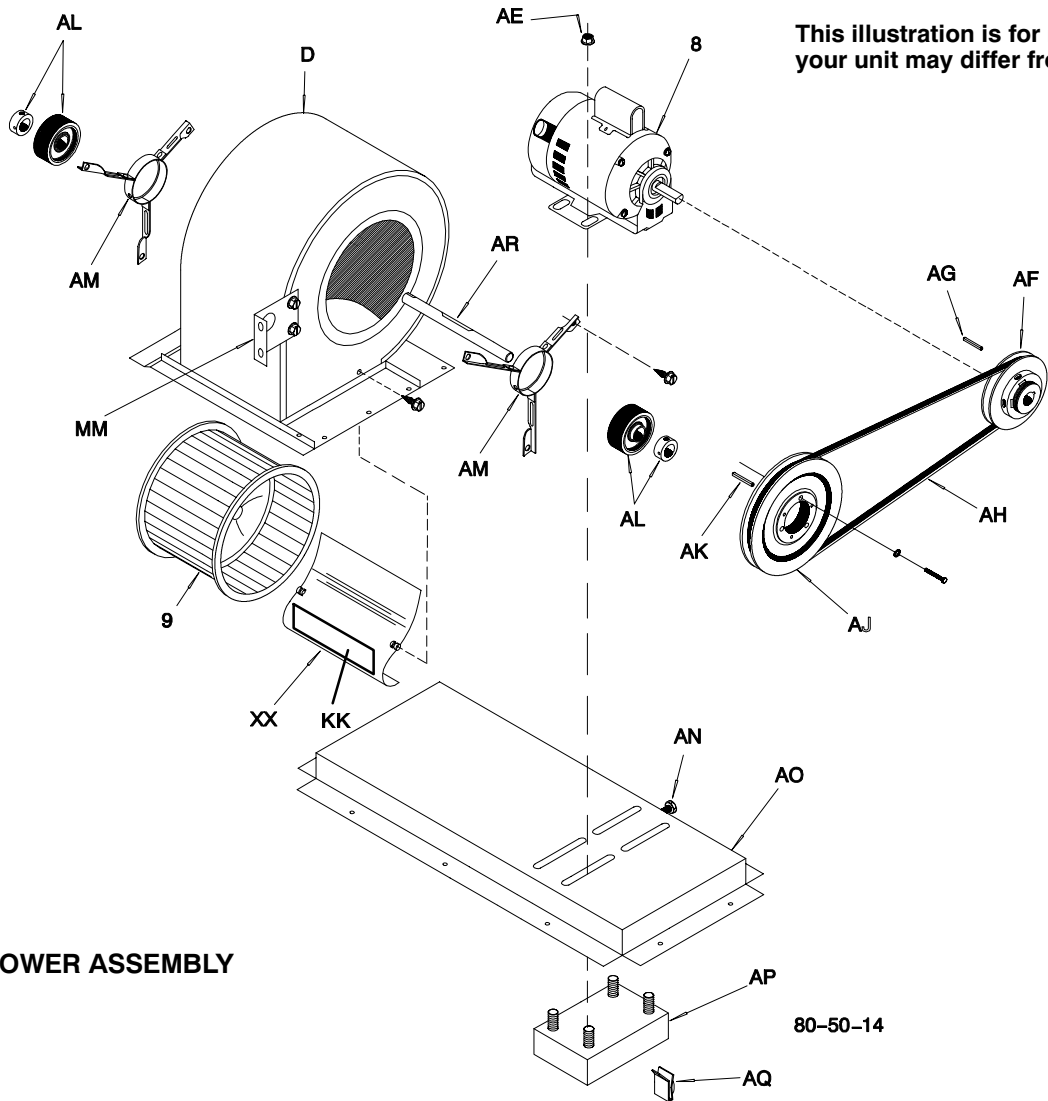
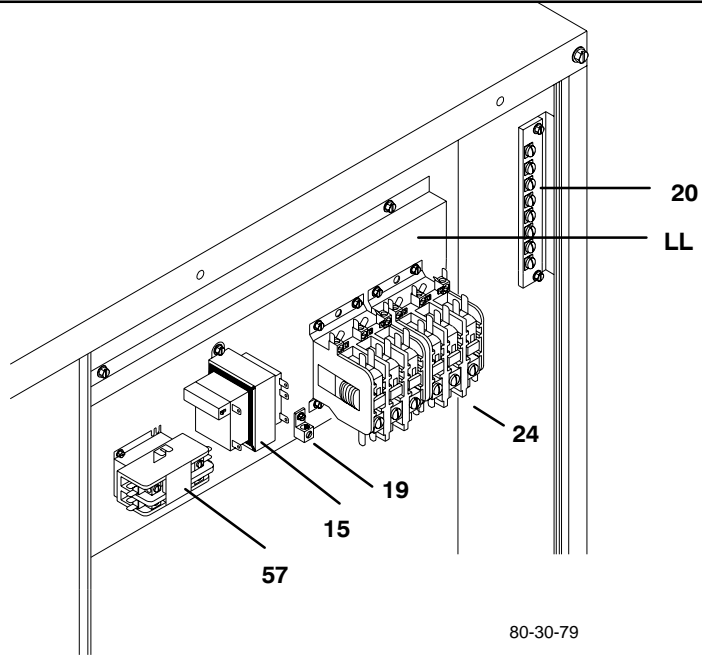
MODEL NO.	NOM. COOL CAP. (TONS)	* FILTER SQ. IN. (D) DISPOSABLE (W) WASHABLE	CAPACITY Btu/hr **HEATING (in Thousands)		HEATING AIRFLOW SCFM		COOLING AIRFLOW NOMINAL SCFM	SHIPPED POSITION DRY COIL HORIZONTAL WITH FILTER			UNIT WEIGHT LBS.
			INPUT	OUTPUT	HI RATE	LOW RATE		STATIC	PULLEY TURNS	SCFM	
THREE PHASE UNITS 208-230V 60Hz											
PAB075N2HB PAMD75HB	6 1/3	D - 1200 W - 720					2500	.40	2	2200	754
THREE PHASE UNITS 460V 60Hz											
PAB075N2LB PAMD75FB	6 1/3	D - 1200 W - 720					2500	.40	2	2200	754
THREE PHASE UNITS 575V 60Hz											
PAB075N2SB PAMD75F	6 1/3	D - 1200 W - 720					2500	.40	2	2200	754

Model Numbers: PAB075N2HB, PAB075N2LB, PAB075N2SB, / PAMD75HB, PAMD75FB, PAMD75NB

No.	Description	Part Number	75N2H /75H	75N2L /75F	75N2S /75N
1	Compressor, CR35K6TF5	1065665	2		
1	CR35K6TFD	1065664	-	2	
1	CR35K6TFE	1065666	-	-	2
2	Motor, Condenser	1065751	1		
2		1054575	-	1	
2		1054574	-	-	1
3	Fan Blade	1080792	1	1	1
5	Coil, Condenser	1065060	1	1	1
8	Motor, Blower	1065851	1		
8		1054600	-	1	
8		1054581	-	-	1
9	Wheel, Blower	1054596	1	1	1
11	Coil, Evaporator	1065718	1	1	1
14	Tube, Capillary Asy	1065701	1	1	1
15	Transformer, 230 Volt, 65 VA	1054637	1		
15	460/575 Volt, 65 VA	1054638	-	1	1
19	Lug, Ground	91590	1	1	1
20	Strip, Terminal	1066159	1	1	1
24	Contact, 30 Amp., 3 Pole	607339	2	2	2
27	Grommet, Compressor Mtg	1053188	8	8	8
28	Switch, Low Pressure	1071317	2	2	2
29	Switch, High Pressure	1070152	2	2	2
36	Capacitor, 10 Mfd., 440V	1094965	1	1	1
41	Port Asy (Test)	1083939	2	2	2
43	Manifold Condenser	1065683	2	2	2
44	Manifold Condenser	1065680	2	2	2
45	Drier	713894	2	2	2
48	Manifold, Evaporator	1065681	1	1	1
53	Switch, Temperature	1066247	1	1	1
55	Filter, Air (20" X 30" X 2")	1054503	2	2	2
57	Contact, 30 Amp., 2 Pole	1054736	1	1	1
58	Tube, Capillary Asy	1065700	1	1	1
59	Manifold, Evaporator	1065690	1	1	1
A	Grille, Outlet	1072842	1	1	1
B	Panel, Top	1068157	1	1	1
C	Orifice, Condenser Fan	1065725	1	1	1
D	Housing, Blower	1066773	1	1	1
E	Deck, Blower	1065948	1	1	1
F	Panel, Access	1068181	1	1	1
G	Plate, Block Off	1066107	1	1	1
H	Panel, Division	1065943	1	1	1
J	Post, Electrical Corner	1068193	1	1	1
K	Bracket, Lo Vo Term. Mtg	1066106	1	1	1
L	Plate, Conduit	1068179	1	1	1
M	Panel, Electrical Access	1068186	1	1	1
N	Panel, Pressure Port	1068164	1	1	1

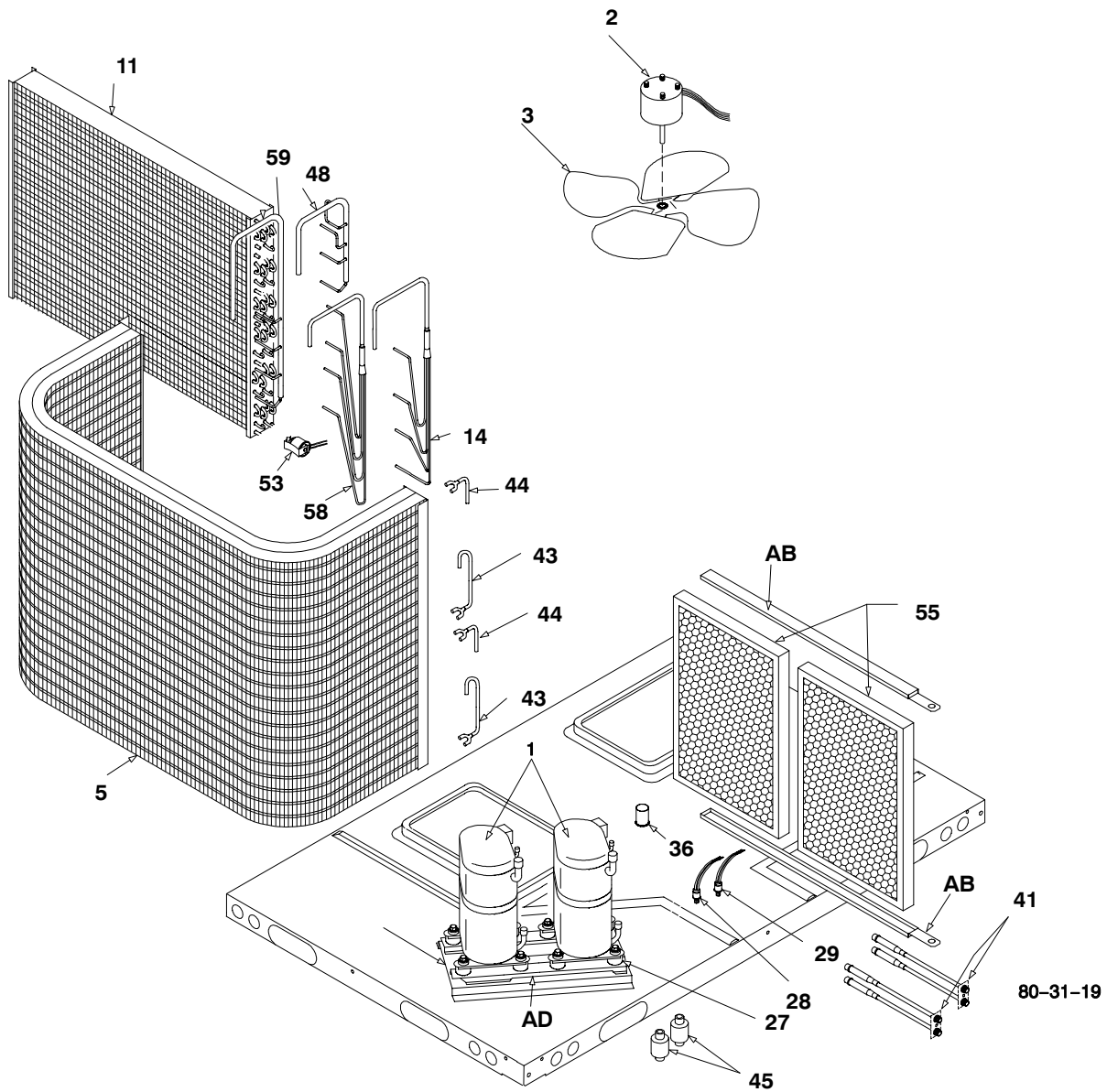
No.	Description	Part Number	75N2H /75H	75N2L /75F	75N2S /75N
O	Plate, Pressure Port	1068190	1	1	1
R	Post, Condenser Corner	1068172	1	1	1
S1	Rail, Base	1065001	2	2	2
S2	Rail, Base	1054464	1	1	1
S3	Rail, Base	1084078	1	1	1
T	Panel, Base	1054463	1	1	1
U	Panel, Return Air	1068160	1	1	1
V	Partition, Return Air	1054471	1	1	1
X	Pan, Drain	1068366	1	1	1
Y	Bracket, Evap	1082436	1	1	1
Z	Panel, Supply Air	1068161	1	1	1
AA	Cover, Duct	1068158	2	2	2
CC	Bracket, Supply Air	1054525	1	1	1
FF	Baffle, Evap Blower	1054522	1	1	1
JJ	Nut, Cap	1067902	4	4	4
KK	Baffle, Air Blower	1066364	1	1	1
LL	Plate, Control	1066168	1	1	1
MM	Bracket, Filter Top	1065618	1	1	1
NN	Support, Filter Top	1054502	1	1	1
OO	Panel, Coil Support	1082434	1	1	1
PP	Panel, Heating Area	1054508	1	1	1
QQ	Baffle Coil	1082435	1	1	1
RR	Panel, Drain Outlet	1068162	1	1	1
SS	Panel, Filter Access	1068175	1	1	1
UU	Post, Return Air Corner	1068168	1	1	1
VV	Post, Center	1068163	1	1	1
XX	Panel, Blower Cutoff	1065073	1	1	1
YY	Bracket, Blower Support	1065030	1	1	1
ZZ	Handle, Filter Access	1068209	1	1	1
AB	Retainer, Filter	1054517	2	2	2
AD	Rail, Compressor Support	1065767	2	2	2
AE	Plate, Compressor	1065769	1	1	1
AF	Pulley, Motor	1097240	1	1	1
AG	Key, Motor Pulley	1065663	1	1	1
AH	Belt	1097259	1	1	1
AJ	Pulley, Blower	1097292	1	1	1
AK	Key, Blower Pulley	1065660	1	1	1
AL	Bearing / Collar	1054577	2	2	2
AM	Mount, Bearing Support	1054599	2	2	2
AN	Screw, Adjusting	1065401	1	1	1
AO	Base, Motor Support	1054520	1	1	1
AP	Plate, Motor Slide	1054521	1	1	1
AQ	U-Clip	1054624	1	1	1
AR	Shaft, Blower	1054598	1	1	1
)	Manual, Parts List	5130415	1	1	1
01					
)	Manual, installation	1065969	1	1	1

CONTROL BOX



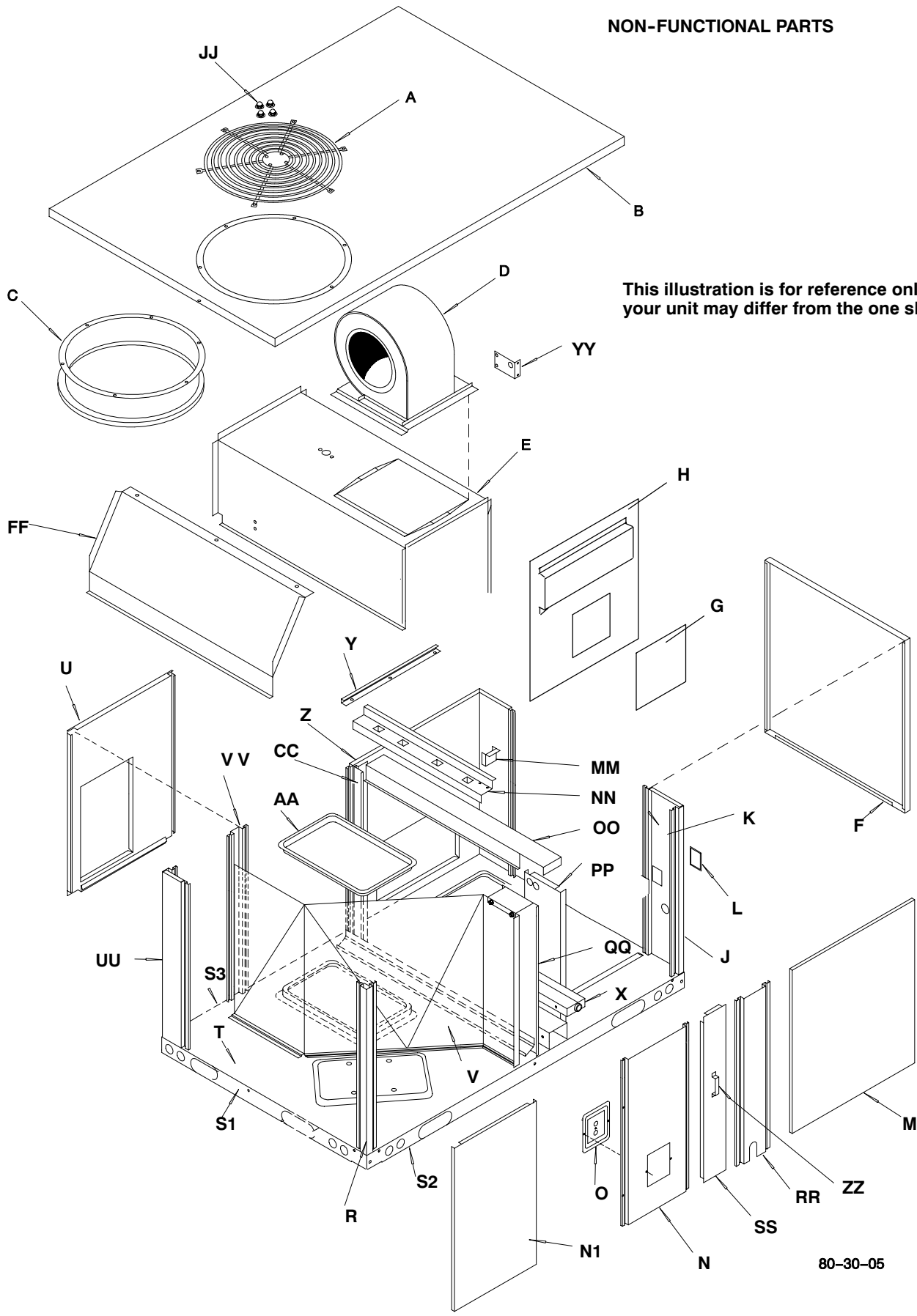
BLOWER ASSEMBLY

FUNCTIONAL PARTS



This illustration is for reference only,
your unit may differ from the one shown.

NON-FUNCTIONAL PARTS



80-30-05

Tech Data

Model or Style No. PAB075N2H, PAMD75H		Outdoor Ambient Temperature – °F Dry Bulb @ 80°F Indoor Dry Bulb																					
Specifications		75				85				95				105				115					
Electrical: Voltage/Cycles/Phase Branch Circuit Ampacity Wire Size / Max. Ft. Time Delay Fuse Max. Fuse/HACR Brk.		208–230 / 60 / 3 33.7 No. 6 / 69’ 40 40		1st Stage		Entering Indoor Temperature – °F Wet Bulb																	
				59	63	67	71	59	63	67	71	59	63	67	71	59	63	67	71	59	63	67	71
Fan Motor: H.P./ AMP. FLA/LRA Speeds/CFM Cap. MFD/Volts	COND .75 / 2.6 2.6 / 9.52 1 / 4000 10.0 / 440	70	MBh	31.6	32.7	35.9	–	30.8	32.0	35.0	–	30.1	31.2	34.2	–	28.6	29.6	32.5	–	26.5	27.4	30.1	–
			S/T	0.88	0.74	0.51	–	0.91	0.76	0.52	–	0.94	0.78	0.54	–	0.97	0.81	0.56	–	0.98	0.82	0.57	–
			AMPS	14.7	14.9	15.2	–	15.4	15.6	15.9	–	16.0	16.3	16.6	–	16.7	16.9	17.3	–	17.3	17.6	17.9	–
			HI PR	202	217	229	–	229	247	261	–	261	281	297	–	294	316	334	–	325	350	369	–
LO PR	66	70	76	–	68	73	79	–	72	76	83	–	75	80	87	–	78	83	90	–			
Compressor: FLA/LRA	COPELAND (2 Req.) 10.8 / 75 (Ea.)	75	MBh	32.1	33.1	35.8	38.4	31.4	32.3	35.0	37.5	30.6	31.5	34.1	36.6	29.1	29.9	32.4	34.8	26.9	27.7	30.0	32.2
			S/T	1.00	0.90	0.68	0.44	1.00	0.92	0.70	0.45	1.00	0.95	0.72	0.46	1.00	0.99	0.75	0.48	1.00	1.00	0.75	0.48
			AMPS	14.8	15.0	15.3	15.7	15.5	15.7	16.0	16.4	16.1	16.4	16.7	17.1	16.8	17.0	17.4	17.8	17.4	17.7	18.1	18.5
			HI PR	204	219	232	242	232	249	263	275	264	284	300	313	297	320	337	352	328	353	373	389
LO PR	66	71	77	82	69	73	80	85	72	77	84	90	76	81	88	94	79	84	91	97			
Service Driers (Each Sys): Liquid/Charge Suction	30 Cu. In. / 17 Oz. 30 Sq. In.	80	MBh	32.7	33.4	35.7	38.2	31.9	32.6	34.9	37.3	31.1	31.8	34.0	36.3	29.6	30.2	32.3	34.5	27.4	28.0	29.9	32.0
			S/T	1.00	1.00	0.84	0.63	1.00	1.00	0.86	0.64	1.00	1.00	0.89	0.67	1.00	1.00	0.92	0.69	1.00	1.00	0.93	0.70
			AMPS	14.8	15.0	15.3	15.7	15.5	15.8	16.1	16.5	16.2	16.5	16.8	17.2	16.9	17.1	17.5	17.9	17.5	17.8	18.2	18.6
			HI PR	206	222	234	244	234	252	266	277	267	287	303	316	300	323	341	356	331	357	377	393
LO PR	67	71	78	83	70	74	81	86	73	78	85	91	77	82	89	95	79	84	92	98			
Ref. Charge (R-22) 128 oz. (Each Circuit)	EVAP.	85	MBh	33.3	33.9	35.5	37.9	32.5	33.1	34.7	37.0	31.7	32.3	33.8	36.1	30.1	30.7	32.1	34.3	27.9	28.4	29.8	31.8
			S/T	1.00	1.00	1.00	0.82	1.00	1.00	1.00	0.84	1.00	1.00	1.00	0.86	1.00	1.00	1.00	0.90	1.00	1.00	1.00	0.90
			AMPS	14.9	15.1	15.4	16.6	15.7	15.9	16.2	16.6	16.3	16.6	16.9	17.3	17.0	17.2	17.6	18.0	17.6	17.9	18.3	18.7
			HI PR	208	224	236	246	236	254	269	280	269	290	306	319	303	326	344	359	335	360	380	397
LO PR	68	72	79	84	70	75	82	87	74	79	86	91	77	82	90	96	80	85	93	99			
Blower Motor: H. P. FLA/LRA RPM	2 6.8 / 42.2 1258	70	MBh	66.9	69.3	76.0	–	65.3	67.7	74.2	–	63.7	66.0	72.4	–	60.5	62.7	68.7	–	56.1	58.1	63.7	–
			S/T	0.77	0.65	0.45	–	0.79	0.66	0.46	–	0.82	0.68	0.47	–	0.85	0.71	0.49	–	0.86	0.72	0.50	–
			AMPS	22.3	22.7	23.3	–	23.8	24.2	24.9	–	25.1	25.5	26.2	–	26.3	26.8	27.6	–	27.6	28.1	28.9	–
			HI PR	190	205	216	–	217	233	246	–	247	265	280	–	277	299	315	–	307	330	348	–
LO PR	61	65	71	–	63	68	74	–	67	71	77	–	70	74	81	–	72	77	84	–			
Clearances See Installation Instructions		75	MBh	68.0	70.1	75.8	81.4	66.4	68.4	74.0	79.4	64.8	66.7	72.2	77.5	61.6	63.4	68.6	73.6	57.0	58.7	63.6	68.2
			S/T	0.88	0.79	0.60	0.38	0.90	0.81	0.61	0.39	0.93	0.83	0.63	0.41	0.97	0.86	0.65	0.42	0.98	0.87	0.66	0.42
			AMPS	22.5	22.9	23.5	24.1	24.0	24.4	25.0	25.8	25.2	25.7	26.4	27.2	26.5	27.0	27.8	28.6	27.8	28.3	29.1	30.0
			HI PR	192	207	219	228	219	235	249	259	249	268	283	295	280	302	319	332	310	333	352	367
LO PR	62	66	72	76	64	68	74	79	67	72	78	83	71	75	82	87	73	78	85	90			
Clearances See Installation Instructions		80	MBh	69.2	70.8	75.6	80.8	67.6	69.1	73.8	78.9	66.0	67.4	72.0	77.0	62.7	64.0	68.4	73.1	58.0	59.3	63.4	67.7
			S/T	0.97	0.91	0.74	0.55	0.99	0.93	0.76	0.56	1.00	0.96	0.78	0.58	1.00	0.99	0.81	0.61	1.00	1.00	0.82	0.61
			AMPS	22.6	23.1	23.6	24.3	24.1	24.6	25.2	26.0	25.4	25.9	26.6	27.4	26.7	27.2	28.0	28.8	28.0	28.5	29.3	30.2
			HI PR	194	209	221	230	221	238	251	262	252	271	286	298	283	305	322	336	313	337	355	371
LO PR	62	66	72	77	65	69	75	80	68	72	79	84	71	76	83	88	74	78	86	91			
Clearances See Installation Instructions		85	MBh	70.5	71.8	75.2	80.3	68.8	70.1	73.4	78.3	67.1	68.4	71.6	76.4	63.7	65.0	68.1	72.6	59.1	60.2	63.0	67.3
			S/T	1.00	0.98	0.88	0.72	1.00	1.00	0.90	0.73	1.00	1.00	0.93	0.76	1.00	1.00	0.97	0.79	1.00	1.00	0.98	0.79
			AMPS	22.8	23.2	23.8	24.5	24.3	24.8	25.4	26.2	25.6	26.1	26.8	27.6	26.9	27.4	28.2	29.1	28.2	28.8	29.5	30.5
			HI PR	196	211	223	233	223	240	254	265	254	274	289	301	286	308	325	339	316	340	359	374
LO PR	63	67	73	78	65	70	76	81	69	73	80	85	72	77	84	89	74	79	86	92			
Rated at 2500 CFM with a wet coil.																							
NO. OF TURNS	EXTERNAL STATIC PRESSURE IN INCHES W.C.										URNS/BLOWER WHEEL RPM CONVERSION TABLE												
	.2		.4		.6		.8		1.0		PULLEY TURNS OPEN												
	CFM	W	RPM	CFM	W	RPM	CFM	W	RPM	CFM	W	RPM	CFM	W	RPM	0	1	2	3	4	5		
	0	2874	1582	1248	2733	1505	1250	2588	1428	1253	2430	1346	1255	2251	1255	1258							
	1	2730	1404	1205	2583	1327	1207	2422	1248	1209	2250	1172	1211	2067	1100	1214	BLOWER WHEEL RPM						
	2	2609	1263	1159	2450	1191	1161	2281	1121	1163	2095	1050	1165	1886	971	1167	2 HP	1255	1210	1165	1115	1070	1020
3	2464	1122	1112	2300	1055	1114	2121	989	1116	1922	920	1118	1694	842	1120	STD PULLEY	1255	1210	1165	1115	1070	1020	
4	2373	1013	1065	2199	953	1067	2008	891	1068	1788	822	1070	1530	741	1072	NOTES: SEE INSTALLATION INSTRUCTIONS FOR AIRFLOW DATA ON 208V UNITS. ALL RPM'S ARE BLOWER WHEEL RPM'S. FACTORY ADJUSTED PULLEY SETTING IS 2 TURNS OPEN.							
5	2239	910	1017	2066	856	1019	1865	797	1020	1605	721	1022	1068235 3–13–95 LP–1										

Tech Data

Model or Style No.		PAB075N2L, PAMD75F																										
Specifications		Outdoor Ambient Temperature – °F Dry Bulb @ 80°F Indoor Dry Bulb																										
		75				85				95				105				115										
Electrical: Voltage/Cycles/Phase Branch Circuit Ampacity Wire Size / Max. Ft. Time Delay Fuse Max. Fuse/HACR Brk.		460 / 60 / 3 15.1 No. 8 / 87' 20 20		Entering Indoor Temperature – °F Wet Bulb																								
				1st Stage		59		63		67		71		59		63		67		71		59		63		67		71
Fan Motor: H.P./ AMP FLA/LRA Speeds/CFM Cap. MFD/Volts	COND .75 / 1.4 1.4 / 5.04 1 / 4000 10.0 / 440	70	MBh	66.9	69.3	76.0	–	65.3	67.7	74.2	–	63.7	66.0	72.4	–	60.5	62.7	68.7	–	56.1	58.1	63.7	–					
			S/T	0.77	0.65	0.45	–	0.79	0.66	0.46	–	0.82	0.68	0.47	–	0.85	0.71	0.49	–	0.86	0.72	0.50	–					
			AMPS	10.1	10.3	10.5	–	10.7	10.9	11.2	–	11.2	11.4	11.7	–	11.8	12.0	12.3	–	12.3	12.5	12.9	–					
			HI PR	190	205	216	–	217	233	246	–	247	265	280	–	277	299	315	–	307	330	348	–					
Compressor: FLA/LRA	COPELAND (2 Req.) 4.6 / 37 (Ea.)	80	MBh	68.0	70.1	75.8	81.4	66.4	68.4	74.0	79.4	64.8	66.7	72.2	77.5	61.6	63.4	68.6	73.6	57.0	58.7	63.6	68.2					
			S/T	0.88	0.79	0.60	0.38	0.90	0.81	0.61	0.39	0.93	0.83	0.63	0.41	0.97	0.86	0.65	0.42	0.98	0.87	0.66	0.42					
			AMPS	10.2	10.3	10.6	10.9	10.8	11.0	11.2	11.6	11.3	11.5	11.8	12.2	11.9	12.1	12.4	12.8	12.4	12.6	13.0	13.3					
			HI PR	192	207	219	228	219	235	249	259	249	268	283	295	280	302	319	332	310	333	352	367					
Service Driers (Each Sys): Liquid/Charge Suction	30 Cu. In. / 17 Oz. 30 Sq. In.	85	MBh	69.2	70.8	75.6	80.8	67.6	69.1	73.8	78.9	66.0	67.4	72.0	77.0	62.7	64.0	68.4	73.1	58.0	59.3	63.4	67.7					
			S/T	0.97	0.91	0.74	0.55	0.99	0.93	0.76	0.56	1.00	0.96	0.78	0.58	1.00	0.99	0.81	0.61	1.00	1.00	0.82	0.61					
			AMPS	10.2	10.4	10.6	10.9	10.9	11.0	11.3	11.6	11.4	11.6	11.9	12.2	11.9	12.2	12.5	12.8	12.5	12.7	13.1	13.4					
			HI PR	194	209	221	230	221	238	251	262	252	271	286	298	283	305	322	336	313	337	355	371					
Ref. Charge (R-22)	128 oz. (Each Circuit)	70	MBh	62	66	72	77	65	69	75	80	68	72	79	84	71	76	83	88	74	78	86	91					
			S/T	70.5	71.8	75.2	80.3	68.8	70.1	73.4	78.3	67.1	68.4	71.6	76.4	63.7	65.0	68.1	72.6	59.1	60.2	63.0	67.3					
			AMPS	1.00	0.98	0.88	0.72	1.00	1.00	0.90	0.73	1.00	1.00	0.93	0.76	1.00	1.00	0.97	0.79	1.00	1.00	0.98	0.79					
			HI PR	196	211	223	233	223	240	254	265	254	274	289	301	286	308	325	339	316	340	359	374					
Blower Motor: H. P. FLA/LRA RPM	EVAP. 2 3.4 / 21.1 1258	75	MBh	62	66	72	77	65	69	75	80	68	72	79	84	71	76	83	88	74	78	86	91					
			S/T	31.6	32.7	35.9	–	30.8	32.0	35.0	–	30.1	31.2	34.2	–	28.6	29.6	32.5	–	26.5	27.4	30.1	–					
			AMPS	5.8	5.9	6.0	–	6.1	6.2	6.3	–	6.3	6.4	6.5	–	6.5	6.6	6.8	–	6.8	6.9	7.0	–					
			HI PR	202	217	229	–	229	247	261	–	261	281	297	–	294	316	334	–	325	350	369	–					
Clearances See Installation Instructions		80	MBh	66	70	76	–	68	73	79	–	72	76	83	–	75	80	87	–	78	83	90	–					
			S/T	32.1	33.1	35.8	38.4	31.4	32.3	35.0	37.5	30.6	31.5	34.1	36.6	29.1	29.9	32.4	34.8	26.9	27.7	30.0	32.2					
			AMPS	5.8	5.9	6.0	6.1	6.1	6.2	6.3	6.5	6.4	6.4	6.6	6.7	6.6	6.7	6.8	7.0	6.8	6.9	7.1	7.2					
			HI PR	204	219	232	242	232	249	263	275	264	284	300	313	297	320	337	352	328	353	373	389					
Rated at 2500 CFM with a wet coil.		85	MBh	66	71	77	82	69	73	80	85	72	77	84	90	76	81	88	94	79	84	91	97					
			S/T	32.7	33.4	35.7	38.2	31.9	32.6	34.9	37.3	31.1	31.8	34.0	36.3	29.6	30.2	32.3	34.5	27.4	28.0	29.9	32.0					
			AMPS	5.9	5.9	6.1	6.2	6.1	6.2	6.3	6.5	6.4	6.5	6.6	6.7	6.6	6.7	6.9	7.0	6.9	7.0	7.1	7.3					
			HI PR	206	222	234	244	234	252	266	277	267	287	303	316	300	323	341	356	331	357	377	393					
EXTERNAL STATIC PRESSURE IN INCHES W.C.				TURNERS/BLOWER WHEEL RPM CONVERSION TABLE																								
				PULLEY TURNS OPEN																								
				BLOWER WHEEL RPM		2 HP STD PULLEY		1255	1210	1165	1115	1070	1020															
				NOTES: SEE <i>INSTALLATION INSTRUCTIONS</i> FOR AIRFLOW DATA ON 208V UNITS. ALL RPM'S ARE BLOWER WHEEL RPM'S. FACTORY ADJUSTED PULLEY SETTING IS 2 TURNS OPEN.																								

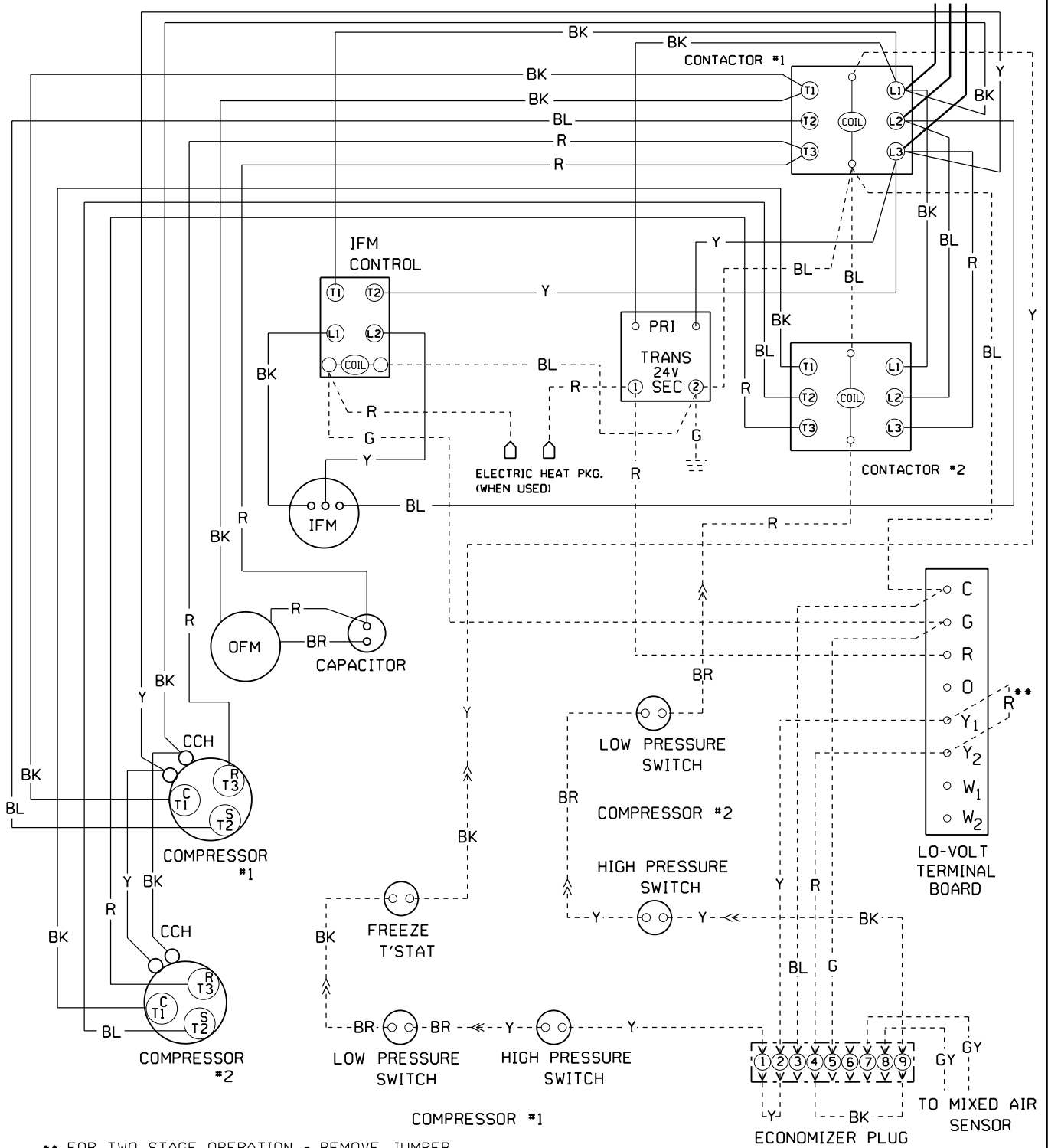
Connection Wiring Diagram for 208/230 Volt Units

CONNECTION WIRING DIAGRAM

DANGER: ELECTRICAL SHOCK HAZARD DISCONNECT POWER BEFORE SERVICING

USE COPPER CONDUCTORS ONLY

208/230 V 60HZ 3PH



** FOR TWO STAGE OPERATION - REMOVE JUMPER

IF ANY OF THE ORIGINAL WIRE SUPPLIED WITH THE APPLIANCE MUST BE REPLACED, IT MUST BE REPLACED WITH TYPE AWM-105°C OR ITS EQUIVALENT.

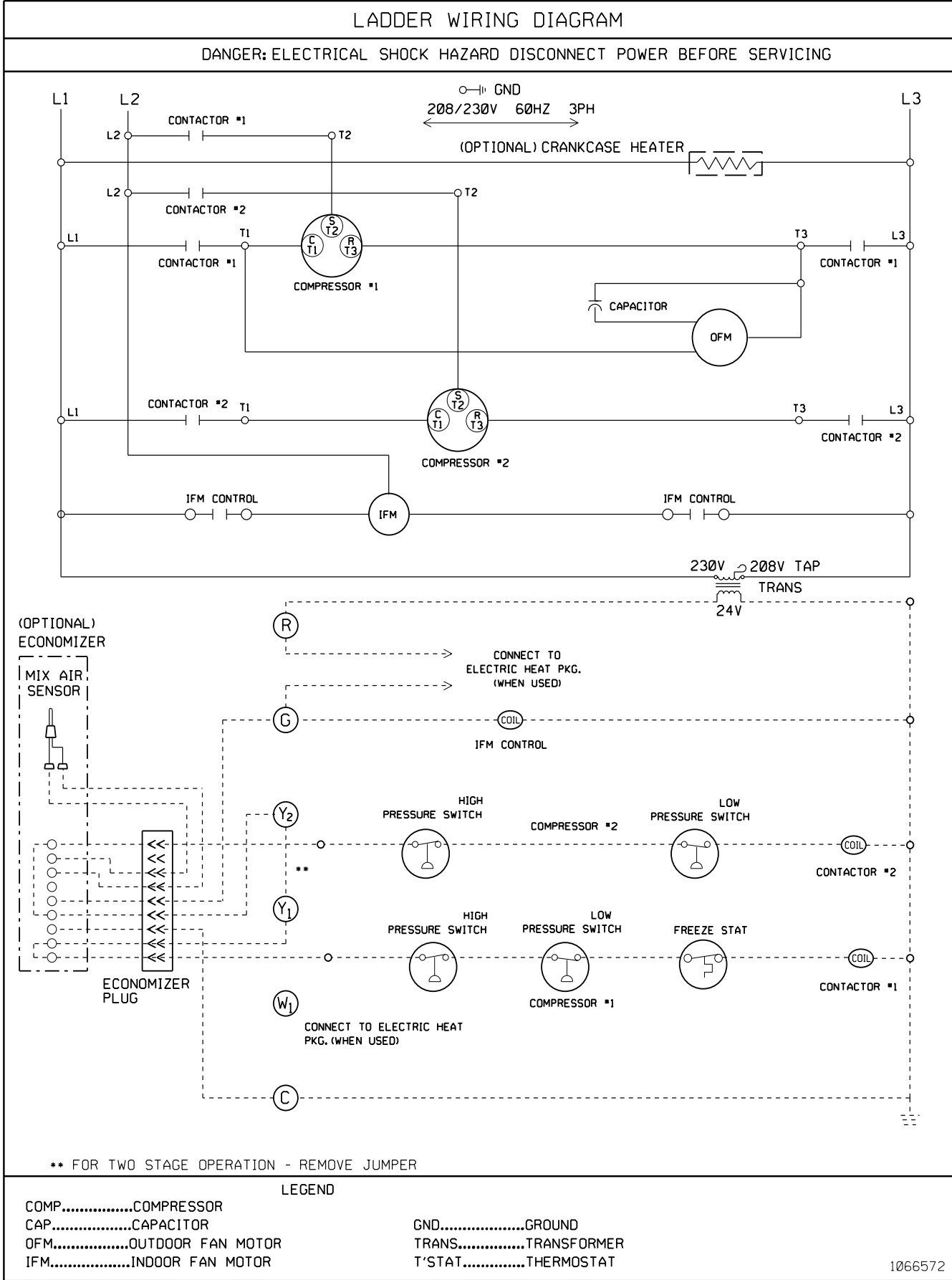
— LINE VOLTAGE FACTORY
 — LINE VOLTAGE FIELD
 - - - LOW VOLTAGE FACTORY
 - - - LOW VOLTAGE FIELD

COLOR CODE: BLACK BK GREEN G WHITE W
 BLUE BL ORANGE O YELLOW Y
 BROWN BR RED R
 GRAY GY VIOLET V

LEGEND
 T'STAT.....THERMOSTAT
 OFM.....OUTDOOR FAN MOTOR
 IFM.....INDOOR FAN MOTOR
 TRANS.....TRANSFORMER
 CCH.....CRANKCASE HEATER

1066120

Ladder Wiring Diagram for 208/230 Volt Units



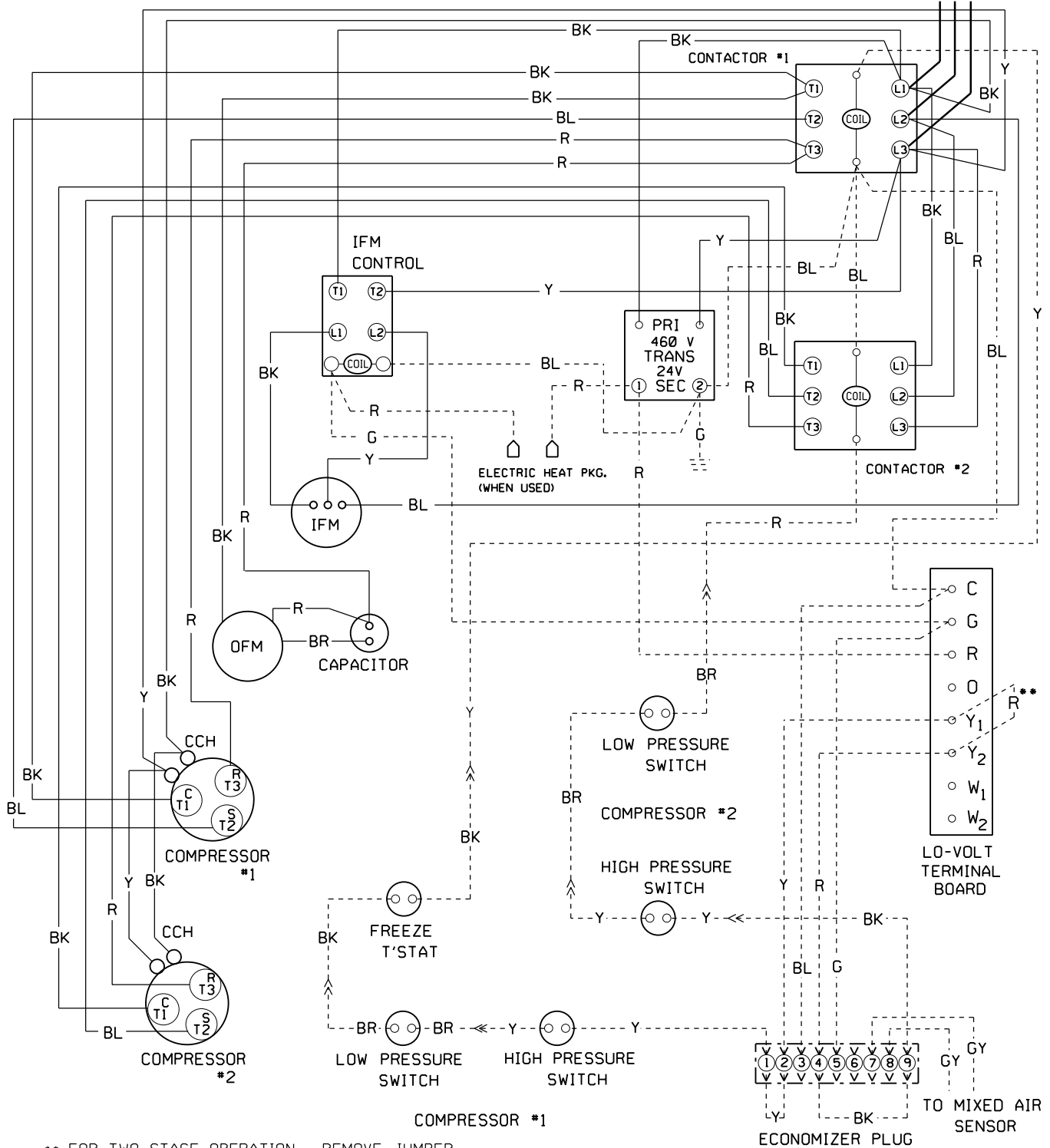
Connection Wiring Diagram for 460 Volt Units

CONNECTION WIRING DIAGRAM

DANGER: ELECTRICAL SHOCK HAZARD DISCONNECT POWER BEFORE SERVICING

USE COPPER CONDUCTORS ONLY

460 V 60HZ 3PH



** FOR TWO STAGE OPERATION - REMOVE JUMPER

IF ANY OF THE ORIGINAL WIRE SUPPLIED WITH THE APPLIANCE MUST BE REPLACED, IT MUST BE REPLACED WITH TYPE AWM-105°C OR ITS EQUIVALENT.

— LINE VOLTAGE FACTORY
 — LINE VOLTAGE FIELD
 - - - LOW VOLTAGE FACTORY
 - - - LOW VOLTAGE FIELD

COLOR CODE: BLACK BK GREEN G WHITE W
 BLUE BL ORANGE O YELLOW Y
 BROWN BR RED R
 GRAY GY VIOLET V

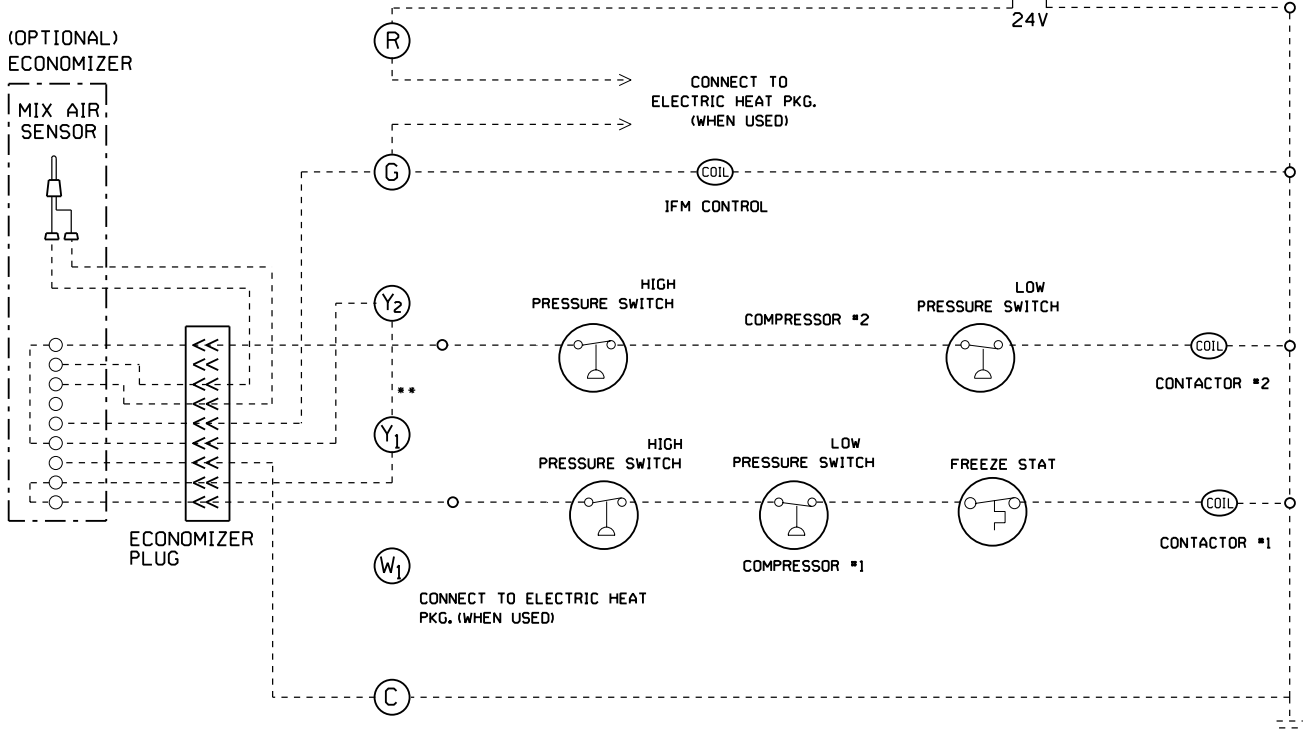
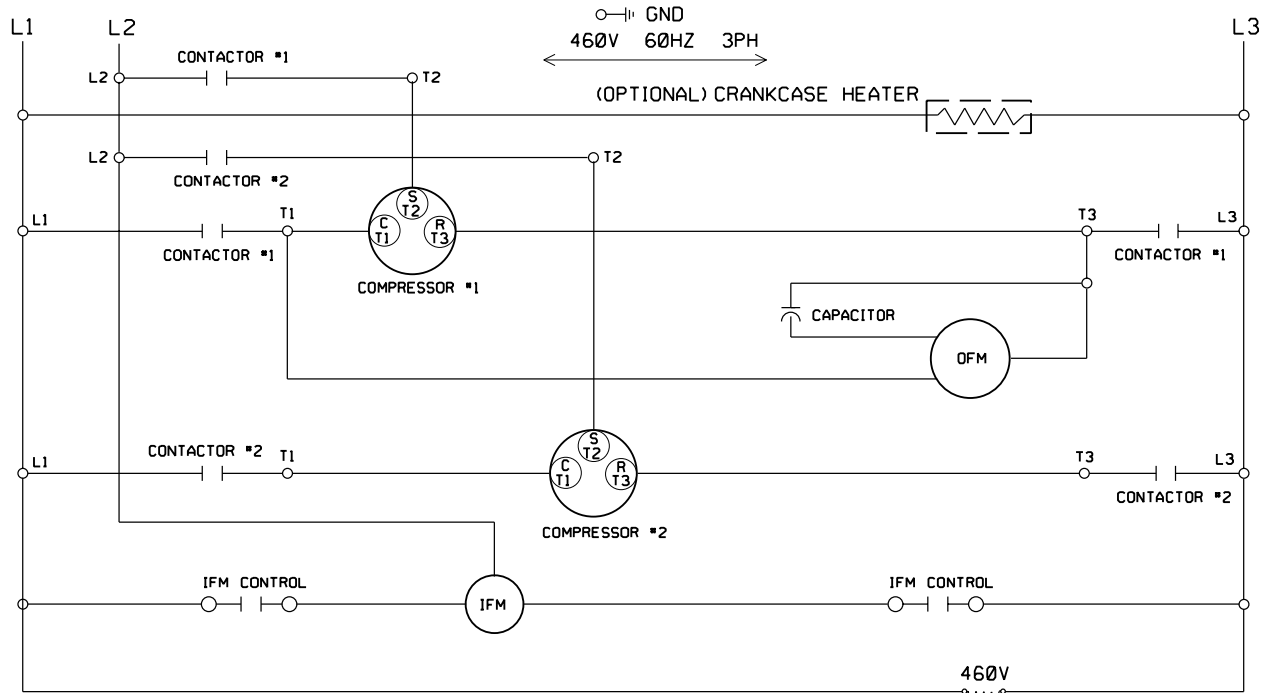
LEGEND
 T'STAT.....THERMOSTAT
 OFM.....OUTDOOR FAN MOTOR
 IFM.....INDOOR FAN MOTOR
 TRANS.....TRANSFORMER
 CCH.....CRANKCASE HEATER

1066129

Ladder Wiring Diagram for 460 Volt Units

LADDER WIRING DIAGRAM

DANGER: ELECTRICAL SHOCK HAZARD DISCONNECT POWER BEFORE SERVICING



** FOR TWO STAGE OPERATION - REMOVE JUMPER

LEGEND

COMP.....COMPRESSOR
 CAP.....CAPACITOR
 OFM.....OUTDOOR FAN MOTOR
 IFM.....INDOOR FAN MOTOR
 GND.....GROUND
 TRANS.....TRANSFORMER
 T*STAT.....THERMOSTAT

1066573

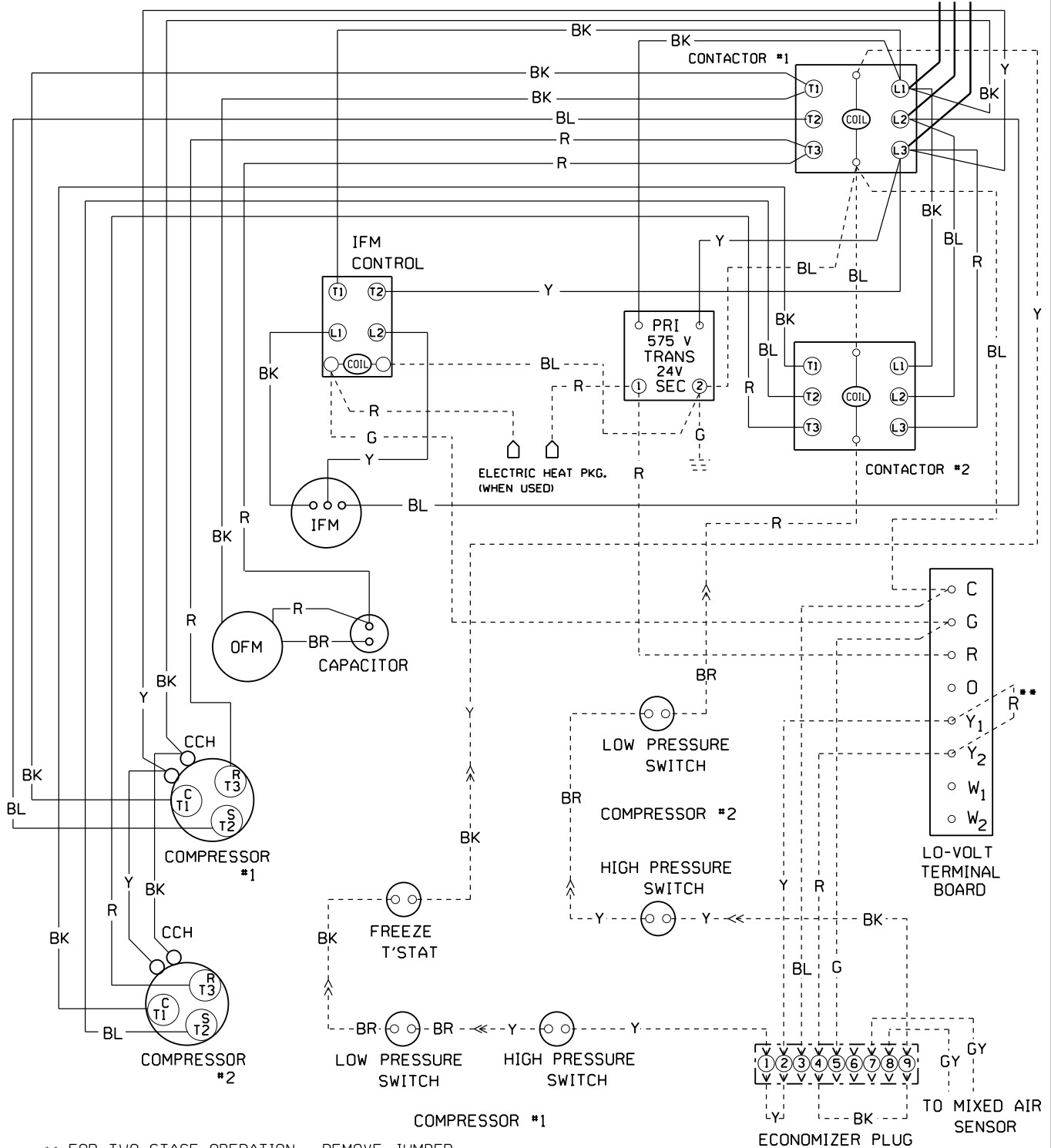
Connection Wiring Diagram for 575 Volt Units

CONNECTION WIRING DIAGRAM

DANGER: ELECTRICAL SHOCK HAZARD DISCONNECT POWER BEFORE SERVICING

USE COPPER CONDUCTORS ONLY

575 V 60HZ 3PH



** FOR TWO STAGE OPERATION - REMOVE JUMPER

IF ANY OF THE ORIGINAL WIRE SUPPLIED WITH THE APPLIANCE MUST BE REPLACED, IT MUST BE REPLACED WITH TYPE AWM-105°C OR ITS EQUIVALENT.

— LINE VOLTAGE FACTORY
 — LINE VOLTAGE FIELD
 - - - LOW VOLTAGE FACTORY
 - - - LOW VOLTAGE FIELD

COLOR CODE: BLACK BK GREEN G WHITE W
 BLUE BL ORANGE O YELLOW Y
 BROWN BR RED R
 GRAY GY VIOLET V

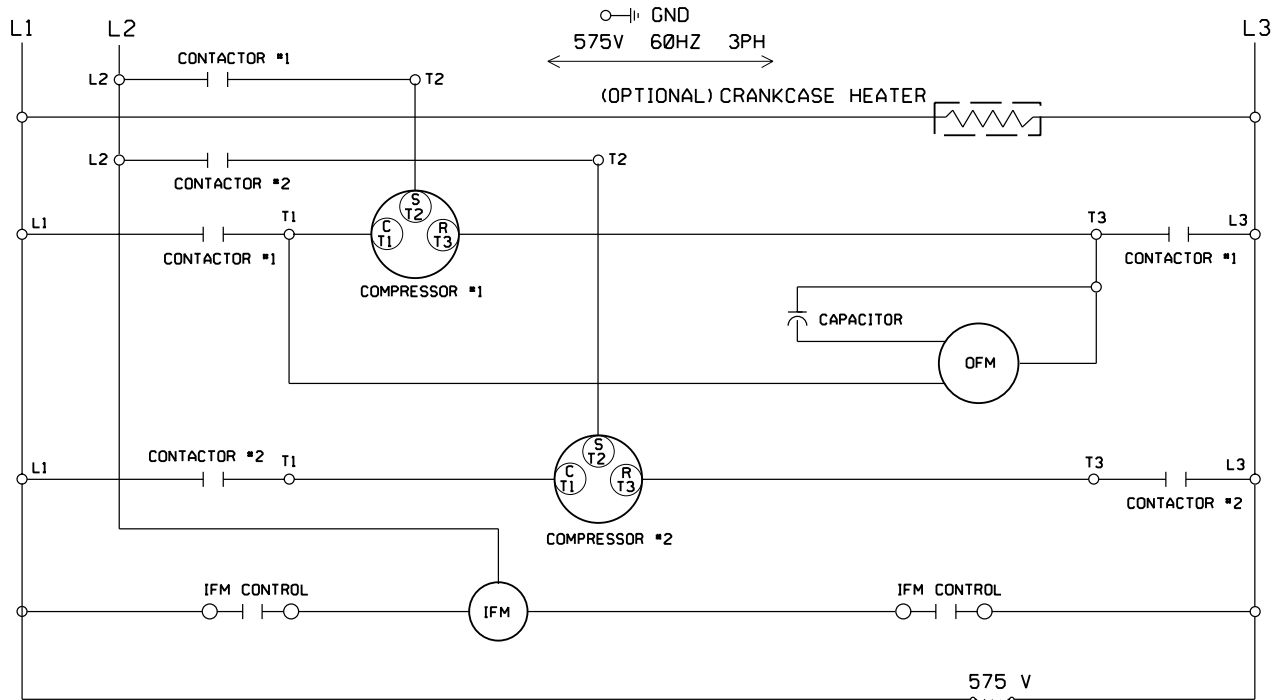
LEGEND
 T'STAT.....THERMOSTAT
 OFM.....OUTDOOR FAN MOTOR
 IFM.....INDOOR FAN MOTOR
 TRANS.....TRANSFORMER
 CCH.....CRANKCASE HEATER

1066130

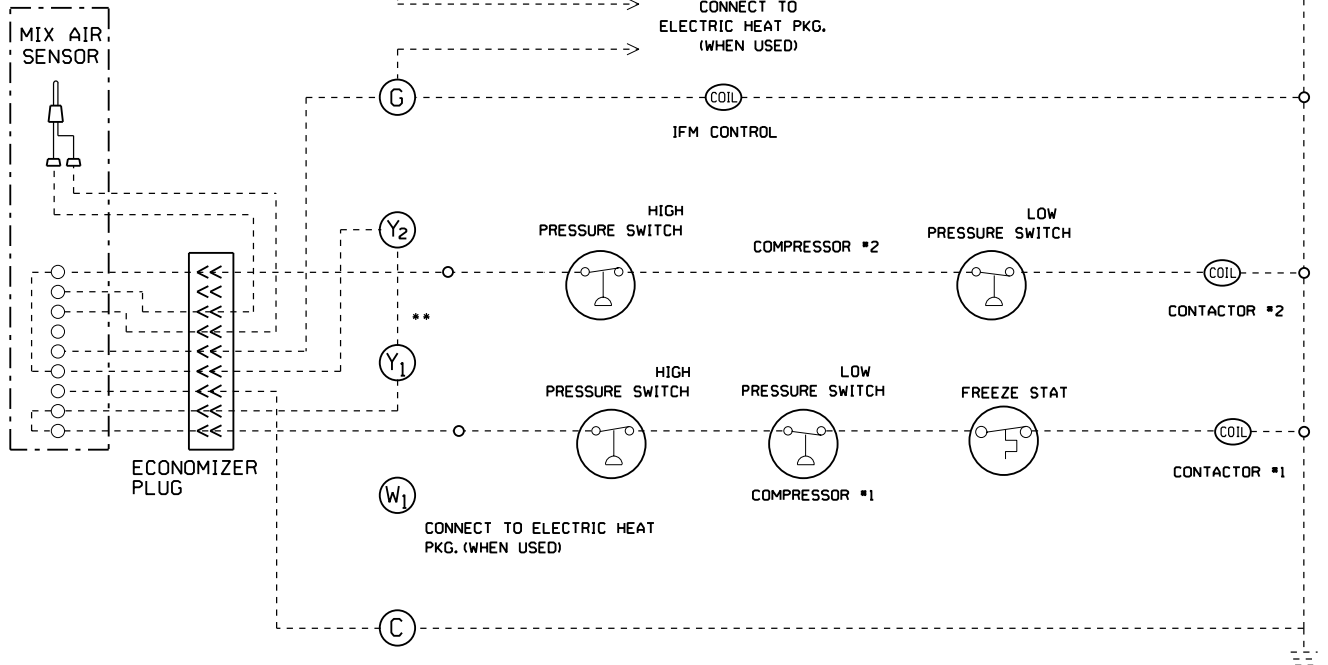
Ladder Wiring Diagram for 575 Volt Units

LADDER WIRING DIAGRAM

DANGER: ELECTRICAL SHOCK HAZARD DISCONNECT POWER BEFORE SERVICING



(OPTIONAL)
ECONOMIZER



** FOR TWO STAGE OPERATION - REMOVE JUMPER

LEGEND

COMP.....COMPRESSOR

CAP.....CAPACITOR

OFM.....OUTDOOR FAN MOTOR

IFM.....INDOOR FAN MOTOR

GND.....GROUND

TRANS.....TRANSFORMER

T'STAT.....THERMOSTAT

1066574

NOTES: