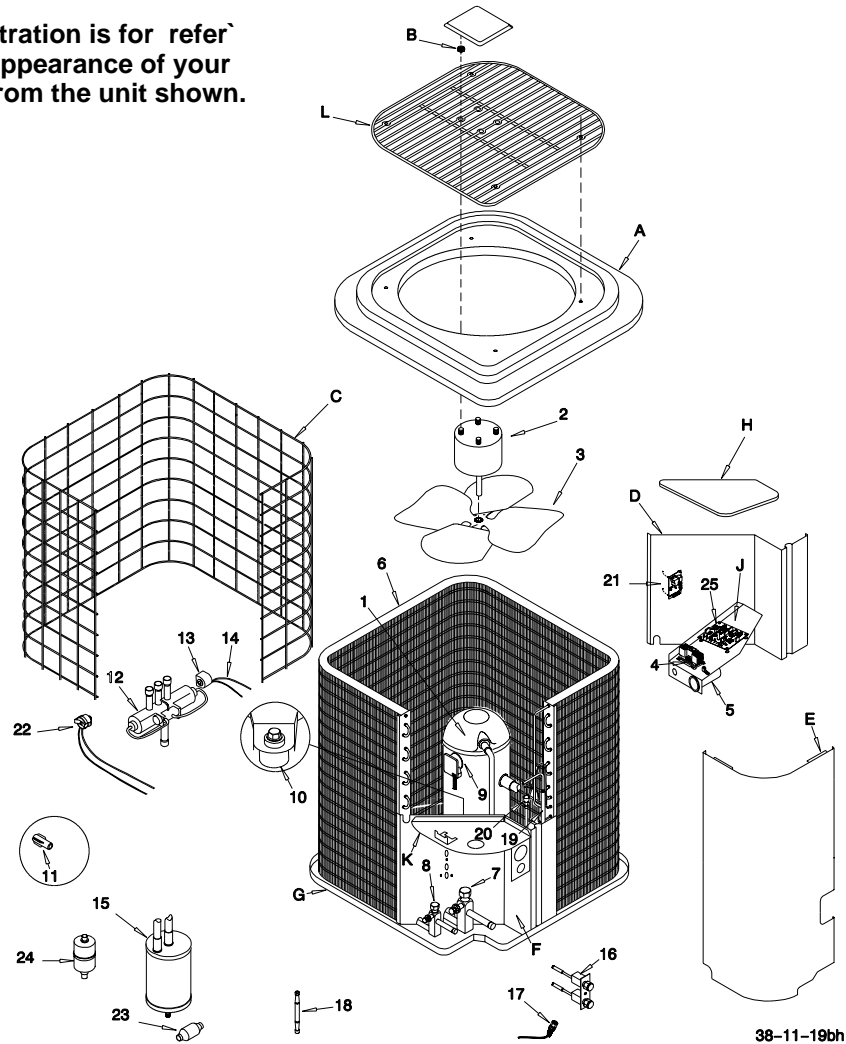


# Replacement Parts, W/D & Tech Data

## HHP424-460 Series

**NOTE:** This illustration is for reference only. The appearance of your unit may differ from the unit shown.

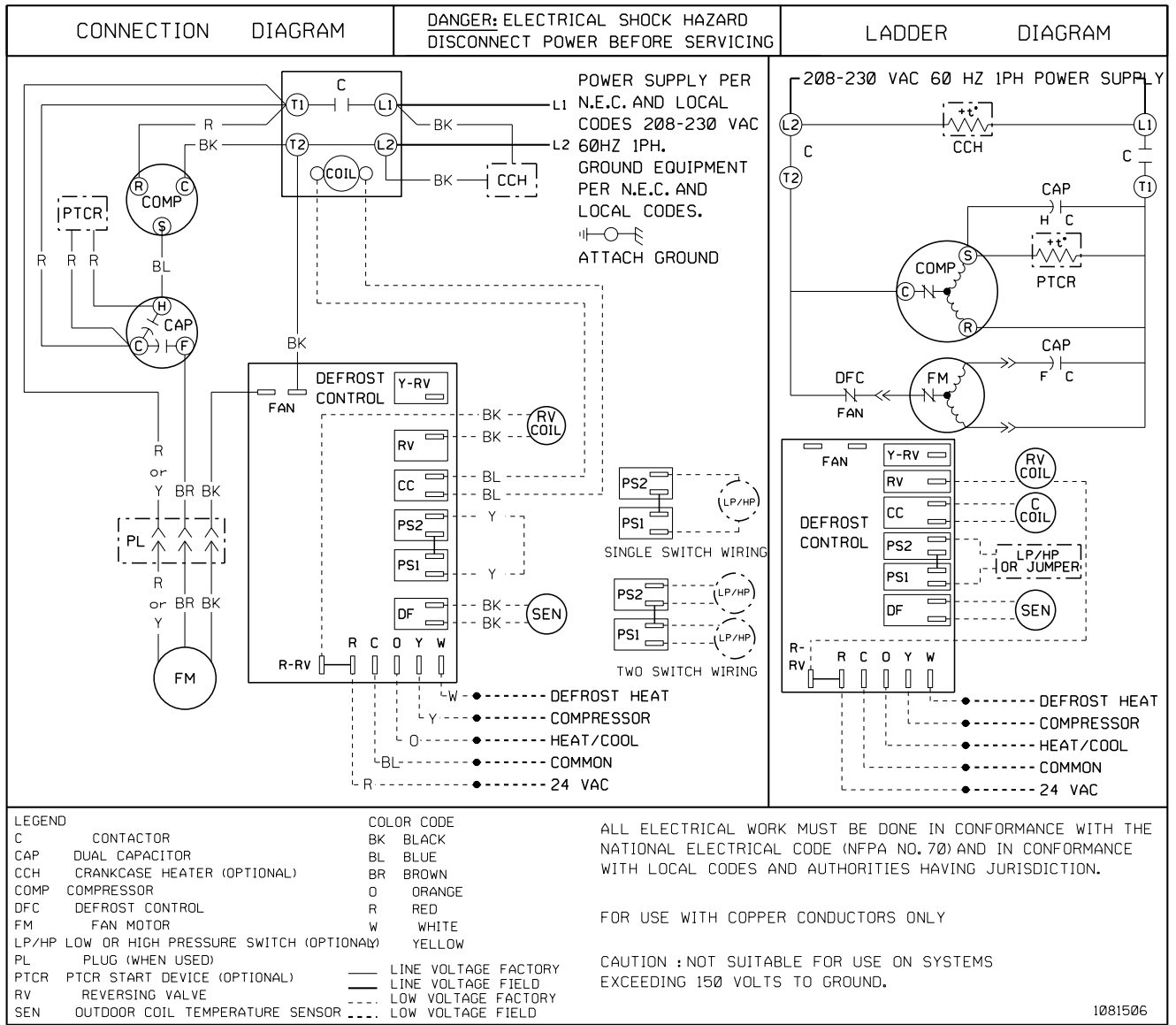


38-11-19bh

KEY NO.	DESCRIPTION	PART NUMBER	HHP424AKA1	HHP430AKA1	HHP436AKA1	HHP442AKA1	HHP448AKA1	HHP460AKA1
A	Panel, Top	1086061	1	1	1	1	1	1
B	Nut, Lock	1086356	4	4	4	4	4	4
C	Grille, Inlet	1086330	1	1	1	1	1	1
D	Box, Control	1086849	1	1	1	1	1	1
E	Cover, Control Box	1086360	1	1	1	1	1	1
F	Panel, Corner	1086350	1	1	1	1	1	1
G	Panel, Base	1086060	1	1	1	1	1	1
H	Top, Control Box	1086045	1	1	1	1	1	1
J	Shelf, Control Box	1086363	1	1	1			
J		1086044	-	-	-	1	1	1
K	Bottom, Control Box	1086039	1	1	1	1	1	1
L	Grille, Top Discharge	1086062	1	1	1	1	1	1
)	Manual, Parts List	42813340100	1	1	1	1	1	1
)	Manual, Owners	42802300100	1	1	1	1	1	1
)	Manual, Installation	42101320100	1	1	1	1	1	1

# Replacement Parts - HHP424-460 Series

KEY NO.	DESCRIPTION	PART NUMBER	HHP424AKA1	HHP430AKA1	HHP436AKA1	HHP442AKA1	HHP448AKA1	HHP460AKA1
1	Compressor, With Plug	ZR18K3PFV130	1					
1		ZR24K3PFV130	-	1				
1		ZR30K3PFV130	-	-	1			
1		ZR36K3PFV130	-	-	-	1		
1		ZR42K3PFV130	-	-	-	-	1	
1		ZR54K3PFV130	-	-	-	-	-	1
2	Motor, Condenser Fan	1086396	1	1	1			
2		1086397	-	-	-	1	1	1
3	Fan Blade	1086518	1	1	1			
3		1087079	-	-	-	1		
3		1087080	-	-	-	-	1	
3		1087081	-	-	-	-	-	1
4	Contactor, 25 Amp	1050699	1	1	1			
4		35 Amp	1050839	-	-	-	1	1
4		40 Amp	1059574	-	-	-	-	-
5	Capacitor, 370 Volt. 5+30 Mfd	1086637	1					
5		370 Volt 5+40 Mfd	1086639	-	1			
5		370 Volt 5+45 Mfd	1086640	-	-	1		
5		370 Volt 7.5+50 Mfd	1086646	-	-	-	1	
5		370 Volt 7.5+60 Mfd	1086649	-	-	-	-	1
5		370 Volt 7.5+80 Mfd	1086650	-	-	-	-	-
6	Condenser Coil	1087088	1					
6		1087089	-	1				
6		1087090	-	-	1	1	1	
6		1087091	-	-	-	-	-	1
7	Service Valve (Suction)	1087244	1	1	1			
7		1086805	-	-	-	1	1	1
8	Service Valve (Liquid)	1085989	1	1	1	1	1	1
9	Plug, Compressor Harness	1081940	1	1	1	1	1	1
10	Grommet, Compressor	1052060	4	4	4	4	4	4
12	Valve, Reversing	513542	1	1				
12		34329002	-	-	1	1		
12		34329030	-	-	-	-	1	1
13	Coil, Reversing Valve	34329055	1	1	1	1	1	1
14	Harness, Reversing Valve Coil	1066711	1	1	1	1	1	1
15	Accumulator	1081064	1	1				
15		1081063	-	-	1	1		
15		1061328	-	-	-	-	1	1
16	Port Valve Asy	1080998	1	1	1	1	1	1
17	Switch, Low Pressure	1081019	1	1	1	1	1	1
18	Control, Flow .030	1087250	1					
18		.056	1087301	-	1			
18		.065	1086742	-	-	1		
18		.049	1087302	-	-	-	1	
18		.061	1086741	-	-	-	-	1
18		.095	1086740	-	-	-	-	-
20	Distributor	1053087	1					
20		1052830	-	1				
20		1052793	-	-	1	1	1	
20		1087307	-	-	-	-	-	1
21	Control, Defrost	1069364	1	1	1	1	1	1
22	Sensor, Defrost Control	1082738	1	1	1	1	1	1
23	Muffler	1059730	1	1	1	1	1	1
24	Drier	1064507	1	1	1	1	1	1
28	Valve, Expansion	1087245	1					
28		1087246	-	1				
28		1085277	-	-	1			
28		1087247	-	-	-	1		
28		1087248	-	-	-	-	1	
28		1087249	-	-	-	-	-	1



		PISTON CHART																														
		COIL MODELS (1)																														
Outdoor Units (2)		EPA/D/M18	EPA/D/M24	EPA/D/M30	EPA/D/M36	EPA/D/M42	EPA/D/M48	EPA/D/M60	EPP024	EPP030	EPP036	EAH5524SA	EAH5536SA	EAH5548SA	EAH5560SA	EEA/D24	EEA/D30	EEA/D36	EEA/D48	EEA/D60	EMH24	EMH30	EMH36	EMH42	EMH48	FCP24	FCP30	FCP36	FCP42	FCP48	FCP60	
			(51)	(59)	(65)	(72)	(78)	(79)	(90)	(59)	(65)	(72)	(56)	(71)	(84)	(89)	(51)	(59)	(65)	(78)	(79)	(59)	(65)	(72)	(78)	(79)	(59)	(65)	(72)	(78)	(79)	(90)
424																																
430																																
436																																
442																																
448															84																	79
460																																

- (1) - The number in parentheses with the coil model number is the size of the piston installed in the coil. The installer must change the pin to the size indicated in the chart if it is different from the factory installed pin.
- (2) - The number in parentheses following the outdoor unit model number is the size of the piston shipped with the outdoor unit.
- Note: If the required orifice is not shipped with the outdoor unit or coil it must be field supplied.

Style No:	CHP/HHP424	Outdoor Ambient Temperature - Degrees F. Dry Bulb																					
		75				85				95				105				115					
		Entering Indoor Temperature - Degrees F. Wet Bulb																					
		IDB	59	63	67	71	59	63	67	71	59	63	67	71	59	63	67	71	59	63	67	71	
Voltage	208/230																						
Phase	1																						
Ampacity	14.3																						
Wire Ga	14																						
Wire Ft	45																						
Delay Fuse	15																						
Max. Fuse	25																						
Compressor	COPELAND																						
RLA	10.83																						
LRA	47																						
Cap MFD/V	30 / 370																						
CC Heater	NONE																						
Start Kit	NONE																						
Fan Motor-HP	1/8																						
Type	PSC																						
FLA	0.8																						
LRA	1.5																						
MAX RPM	840																						
Cap MFD/V	5 / 370																						
PTCR	NONE																						
Hi Press	NONE																						
Low Press	NONE																						
Low Amb	NONE																						
Defrost	ElecTime-Temp																						
Sensor	31-71																						
Operating Chg	(R-22Oz)																						
(25 Ft Line)*	300																						
Service Driers																							
Liquid/Chg	8Culn/7oz																						
Suction	30SqIn																						

Calculated averaged performance data, for service applications for all matches. Part No: 1086897

\*Add or Subtract (Oz per Ft) for Lines: .25oz - 1/4 Liq, .45oz - 5/16 Liq, .60oz - 3/8 Liq, 1.2oz - 1/2 Liq

Style No:	CHP/HHP430	Outdoor Ambient Temperature - Degrees F. Dry Bulb																					
		75				85				95				105				115					
		Entering Indoor Temperature - Degrees F. Wet Bulb																					
		IDB	59	63	67	71	59	63	67	71	59	63	67	71	59	63	67	71	59	63	67	71	
Voltage	208/230																						
Phase	1																						
Ampacity	16																						
Wire Ga	14																						
Wire Ft	35																						
Delay Fuse	15																						
Max. Fuse	25																						
Compressor	COPELAND																						
RLA	12.189																						
LRA	61																						
Cap MFD/V	40 / 370																						
CC Heater	NONE																						
Start Kit	NONE																						
Fan Motor-HP	1/8																						
Type	PSC																						
FLA	0.8																						
LRA	1.5																						
MAX RPM	840																						
Cap MFD/V	5 / 370																						
PTCR	NONE																						
Hi Press	NONE																						
Low Press	NONE																						
Low Amb	NONE																						
Defrost	ElecTime-Temp																						
Sensor	31-71																						
Operating Chg	(R-22Oz)																						
(25 Ft Line)*	292																						
Service Driers																							
Liquid/Chg	8Culn/7oz																						
Suction	30SqIn																						

Calculated averaged performance data, for service applications for all matches. Part No: 1086898

\*Add or Subtract (Oz per Ft) for Lines: .25oz - 1/4 Liq, .45oz - 5/16 Liq, .60oz - 3/8 Liq, 1.2oz - 1/2 Liq

Style No:	CHP/HP436	Outdoor Ambient Temperature - Degrees F. Dry Bulb																					
		75				85				95				105				115					
		Entering Indoor Temperature - Degrees F. Wet Bulb																					
Voltage	208/230	IDB	59	63	67	71	59	63	67	71	59	63	67	71	59	63	67	71	59	63	67	71	
Phase	1		MBh	33.5	34.4	37.3	40.0	32.7	33.6	36.4	39.1	31.9	32.8	35.5	38.1	30.3	31.2	33.7	36.2	28.0	28.9	31.2	33.5
Ampacity	21.2	75	SIT	.85	.76	.57	.37	.87	.78	.59	.38	.90	.80	.61	.39	.93	.83	.63	.40	.94	.84	.63	.41
Wire Ga	12		AMPS	9.3	9.5	9.8	10.2	10.1	10.3	10.7	11.1	10.8	11.0	11.4	11.8	11.5	11.7	12.1	12.6	12.1	12.4	12.9	13.4
Wire Ft	46		HI PR	163	175	185	193	185	199	210	219	211	227	240	250	237	255	270	281	262	282	298	311
Delay Fuse	30		LO PR	64	68	74	79	66	70	77	82	69	74	81	86	73	77	85	90	75	80	87	93
Max. Fuse	35	80	MBh	34.0	34.8	37.2	39.7	33.2	34.0	36.3	38.8	32.4	33.1	35.4	37.8	30.8	31.5	33.6	36.0	28.5	29.2	31.2	33.3
Compressor	COPELAND		SIT	.93	.87	.71	.53	.95	.89	.73	.54	.98	.92	.75	.56	1.00	.96	.78	.58	1.00	.96	.78	.59
RLA	16.34		AMPS	9.3	9.6	9.9	10.3	10.2	10.4	10.8	11.2	10.9	11.1	11.5	11.9	11.6	11.8	12.2	12.7	12.3	12.6	13.0	13.5
LRA	73		HI PR	164	177	187	195	187	201	212	222	213	229	242	252	240	258	272	284	265	285	301	314
Cap MFD/V	45 / 370	85	LO PR	64	68	75	80	67	71	78	83	70	75	82	87	74	78	85	91	76	81	88	94
CC Heater	NONE		MBh	34.6	35.3	37.0	39.5	33.8	34.5	36.1	38.5	33.0	33.6	35.2	37.6	31.3	31.9	33.5	35.7	29.0	29.6	31.0	33.1
Start Kit	NONE		SIT	.97	.94	.85	.69	1.00	.96	.87	.71	1.00	.99	.90	.73	1.00	1.00	.93	.76	1.00	1.00	.94	.76
Fan Motor-HP	1/8		AMPS	9.4	9.7	10.0	10.4	10.2	10.5	10.9	11.3	11.0	11.2	11.6	12.1	11.7	12.0	12.4	12.8	12.4	12.7	13.1	13.6
Type	PSC	Heating	HI PR	166	179	189	197	189	203	215	224	215	231	244	255	242	260	275	287	267	288	304	317
FLA	0.8		LO PR	65	69	75	80	67	72	78	83	71	75	82	88	74	79	86	92	77	82	89	95
LRA	1.5		Outdoor Ambient Temperature - Degrees F. Dry Bulb																				
MAX RPM	840		IDB	65	60	55	50	47	45	40	35	30	25	20	17	15	10	5	0	-5	-10		
Cap MFD/V	5 / 370	70	MBh	48.4	45.8	43.2	40.3	38.5	37.3	34.7	32.0	30.9	28.5	26.3	24.8	23.9	21.4	19.0	16.6	14.1	11.6		
PTCR	NONE		TIR	37	35	33	31	30	29	27	25	24	22	20	19	18	17	15	13	11	9		
Hi Press	NONE		KW	3.3	3.3	3.2	3.1	3.1	3.1	3.0	2.9	2.9	2.8	2.7	2.7	2.7	2.6	2.5	2.5	2.4	2.3		
Low Press	NONE		AMPS	14.0	13.0	12.2	11.4	11.0	10.8	10.2	9.6	9.2	8.8	8.4	8.2	8.1	7.6	7.1	6.7	6.2	5.5		
Low Amb	NONE	ElecTime-Temp	COP	4.3	4.1	4.0	3.8	3.7	3.6	3.4	3.2	3.2	3.0	2.8	2.7	2.6	2.4	2.2	2.0	1.7	1.4		
Defrost	31-71		EER	14.6	14.1	13.5	12.9	12.5	12.2	11.6	10.9	10.8	10.2	9.6	9.2	9.0	8.2	7.5	6.7	5.9	4.9		
Sensor	31-71		HI PR	252	242	232	222	217	213	205	196	188	180	173	168	165	159	153	147	141	136		
Operating Chg (25 Ft Line)*	(R-22Oz)		LO PR	77	71	67	61	58	56	51	46	41	37	32	30	29	24	21	18	16	12		
Service Driers		Calculated averaged performance data, for service applications for all matches.																					
Liquid/Chg	16Culn/11oz																						
Suction	30SqIn	*Add or Subtract (Oz per Ft) for Lines: .25oz - 1/4 Liq, .45oz - 5/16 Liq, .60oz - 3/8 Liq, 1.2 oz - 1/2 Liq																					

Part No:

1086899

Style No:	CHP/HP442	Outdoor Ambient Temperature - Degrees F. Dry Bulb																					
		75				85				95				105				115					
		Entering Indoor Temperature - Degrees F. Wet Bulb																					
Voltage	208/230	IDB	59	63	67	71	59	63	67	71	59	63	67	71	59	63	67	71	59	63	67	71	
Phase	1		MBh	37.8	38.9	42.1	45.2	36.9	38.0	41.1	44.1	36.0	37.1	40.1	43.1	34.2	35.2	38.1	40.9	31.7	32.6	35.3	37.9
Ampacity	25.8	75	SIT	.86	.77	.58	.37	.88	.79	.60	.38	.91	.81	.61	.40	.94	.84	.64	.41	.95	.85	.64	.41
Wire Ga	10		AMPS	11.4	11.7	12.1	12.5	12.4	12.7	13.1	13.6	13.2	13.5	14.0	14.5	14.0	14.4	14.9	15.4	14.9	15.2	15.7	16.3
Wire Ft	61		HI PR	164	177	186	195	187	201	212	221	213	229	242	252	239	257	272	283	264	284	300	313
Delay Fuse	35		LO PR	63	67	73	78	66	70	76	81	69	73	80	85	72	77	84	90	75	80	87	93
Max. Fuse	45	80	MBh	38.5	39.3	42.0	44.9	37.6	38.4	41.0	43.8	36.6	37.4	40.0	42.8	34.8	35.6	38.0	40.6	32.2	32.9	35.2	37.6
Compressor	COPELAND		SIT	.94	.88	.72	.54	.96	.90	.74	.55	1.00	.93	.76	.57	1.00	.97	.79	.59	1.00	.98	.80	.59
RLA	19.4		AMPS	11.5	11.8	12.2	12.6	12.5	12.8	13.2	13.7	13.3	13.7	14.1	14.6	14.2	14.5	15.0	15.6	15.0	15.4	15.9	16.5
LRA	88		HI PR	166	178	188	196	189	203	214	223	215	231	244	254	242	260	275	286	267	287	303	316
Cap MFD/V	50 / 370	85	LO PR	64	68	74	79	66	71	77	82	70	74	81	86	73	78	85	90	76	80	88	94
CC Heater	NONE		MBh	39.1	39.9	41.8	44.6	38.2	39.0	40.8	43.5	37.3	38.0	39.8	42.5	35.4	36.1	37.8	40.3	32.8	33.4	35.0	37.4
Start Kit	NONE		SIT	.99	.95	.86	.70	1.00	.98	.88	.71	1.00	1.00	.91	.74	1.00	1.00	.94	.77	1.00	1.00	.95	.77
Fan Motor-HP	1/4		AMPS	11.6	11.9	12.3	12.7	12.6	12.9	13.3	13.8	13.5	13.8	14.2	14.8	14.3	14.6	15.1	15.7	15.1	15.5	16.0	16.6
Type	PSC	Heating	HI PR	167	180	190	198	190	205	216	226	217	233	246	257	244	263	277	289	270	290	306	319
FLA	1.5		LO PR	65	69	75	80	67	71	78	83	70	75	82	87	74	79	86	91	76	81	89	94
LRA	2.9		Outdoor Ambient Temperature - Degrees F. Dry Bulb																				
MAX RPM	840		IDB	65	60	55	50	47	45	40	35	30	25	20	17	15	10	5	0	-5	-10		
Cap MFD/V	7.5 / 370	70	MBh	47.8	45.2	42.6	39.8	38.0	36.8	34.2	31.5	26.8	24.7	22.8	21.5	20.7	18.6	16.5	14.4	12.3	10.0		
PTCR	NONE		TIR	33	31	29	27	26	25	23	22	18	17	16	15	14	13	11	10	8	7		
Hi Press	NONE		KW	3.5	3.4	3.4	3.3	3.2	3.2	3.1	3.1	2.9	2.8	2.7	2.7	2.7	2.6	2.5	2.5	2.4	2.3		
Low Press	NONE		AMPS	18.1	16.7	15.7	14.7	14.2	13.9	13.1	12.5	11.9	11.4	10.9	10.6	10.5	9.9	9.3	8.7	8.1	7.3		
Low Amb	NONE	ElecTime-Temp	COP	4.0	3.9	3.7	3.6	3.4	3.4	3.2	3.0	2.7	2.6	2.4	2.3	2.3	2.1	1.9	1.7	1.5	1.3		
Defrost	31-71		EER	13.7	13.2	12.7	12.1	11.7	11.5	10.9	10.3	9.3	8.8	8.3	8.0	7.8	7.1	6.5	5.8	5.1	4.3		
Sensor	31-71		HI PR	261	251	241	230	225	221	212	204	195	186	179	175	171	165	159	152	147	142		
Operating Chg (25 Ft Line)*	(R-22Oz)		LO PR	73	68	63	58	55	53	49	43	39	35	31	29	28	23	20	17	15	12		
Service Driers		Calculated averaged performance data, for service applications for all matches.																					
Liquid/Chg	16Culn/11oz																						
Suction	30SqIn	*Add or Subtract (Oz per Ft) for Lines: .25oz - 1/4 Liq, .45oz - 5/16 Liq, .60oz - 3/8 Liq, 1.2 oz - 1/2 Liq																					

Part No:

1086900

Style No:		CHP/HHP448		Outdoor Ambient Temperature - Degrees F. Dry Bulb																															
Voltage		208/230		75				85				95				105				115															
Phase		1		Entering Indoor Temperature - Degrees F. Wet Bulb																															
Ampacity		24.4		59				63				67				71				59				63				67				71			
Wire Ga	12	IDB	MBh	43.5	44.8	48.4	52.0	42.4	43.7	47.3	50.8	41.4	42.6	46.1	49.5	39.3	40.5	43.8	47.0	36.4	37.5	40.6	43.6												
Wire Ft	31		SIT	.85	.76	.57	.37	.87	.78	.59	.38	.90	.80	.61	.39	.93	.83	.63	.40	.94	.84	.63	.41												
Delay Fuse	30		AMPS	13.3	13.6	14.0	14.5	14.4	14.7	15.2	15.8	15.4	15.7	16.3	16.9	16.3	16.7	17.3	17.9	17.3	17.7	18.3	19.0												
Max. Fuse	40		HI PR	162	174	184	192	184	198	209	218	210	226	239	249	236	254	268	280	261	281	297	309												
Compressor	COPELAND		LO PR	64	68	74	79	66	71	77	82	70	74	81	86	73	78	85	90	76	81	88	94												
RLA	18.33	80	MBh	44.2	45.2	48.3	51.6	43.2	44.1	47.2	50.4	42.1	43.1	46.0	49.2	40.0	40.9	43.7	46.7	37.1	37.9	40.5	43.3												
LRA	109		SIT	.93	.87	.71	.53	.95	.89	.73	.54	.98	.92	.75	.56	1.00	.96	.78	.58	1.00	.96	.78	.59												
Cap MFD/IV	60 / 370		AMPS	13.4	13.7	14.1	14.7	14.5	14.9	15.4	15.9	15.5	15.9	16.4	17.0	16.5	16.9	17.5	18.1	17.5	17.9	18.5	19.2												
CC Heater	NONE		HI PR	164	176	186	194	186	200	212	221	212	228	241	251	239	257	271	283	264	284	300	312												
Start Kit	NONE		LO PR	65	69	75	80	67	71	78	83	71	75	82	87	74	79	86	91	76	81	89	95												
Fan Motor-HP	1/4	85	MBh	45.0	45.9	48.1	51.3	43.9	44.8	46.9	50.1	42.9	43.7	45.8	48.8	40.7	41.5	43.5	46.4	37.7	38.5	40.3	43.0												
Type	PSC		SIT	.97	.94	.85	.69	1.00	.96	.87	.71	1.00	.99	.90	.73	1.00	1.00	.93	.76	1.00	1.00	.94	.76												
FLA	1.5		AMPS	13.5	13.8	14.3	14.8	14.6	15.0	15.5	16.1	15.6	16.0	16.6	17.2	16.6	17.0	17.6	18.3	17.6	18.1	18.7	19.4												
LRA	2.9		HI PR	165	178	188	196	188	202	214	223	214	231	243	254	241	259	274	286	266	287	303	316												
MAX RPM	840		LO PR	65	69	76	81	68	72	79	84	71	76	83	88	75	79	87	92	77	82	90	95												
Cap MFD/IV	7.5 / 370	Heating																																	
PTCR	NONE	IDB	Outdoor Ambient Temperature - Degrees F. Dry Bulb																																
Hi Press	NONE		MBh	65	60	55	50	47	45	40	35	30	25	20	17	15	10	5	0	-5	-10														
Low Press	NONE		T/R	33	32	30	28	27	26	24	22	21	19	18	17	16	14	13	11	9	8														
Low Amb	NONE		KW	3.8	3.7	3.6	3.5	3.5	3.5	3.4	3.3	3.5	3.5	3.4	3.3	3.3	3.2	3.1	3.0	3.0	2.9														
Defrost	ElecTime-Temp		AMPS	19.2	17.8	16.6	15.7	15.1	14.8	14.0	13.3	12.7	12.1	11.6	11.3	11.1	10.6	9.9	9.3	8.6	7.8														
Sensor	31-71	70	COP	4.2	4.0	3.9	3.7	3.6	3.5	3.3	3.1	2.8	2.6	2.5	2.4	2.3	2.1	1.9	1.7	1.5	1.3														
Operating Chg (25 Ft Line)*	(R-22Oz) 333		EER	14.3	13.8	13.3	12.7	12.3	12.0	11.4	10.8	9.4	8.9	8.4	8.1	7.8	7.2	6.6	5.9	5.2	4.4														
Service Driers			HI PR	246	236	227	217	212	208	200	192	184	176	169	165	162	155	149	143	138	133														
Liquid/Chg	30Culn/17oz		LO PR	72	66	62	57	54	52	48	43	38	34	30	28	27	23	20	17	15	11														
Suction	30Sqn		Calculated averaged performance data, for service applications for all matches. Part No: 1086901																																
				*Add or Subtract (Oz per Ft) for Lines: .25oz - 1/4 Liq, .45oz - 5/16 Liq, .60oz - 3/8 Liq, 1.2 oz - 1/2 Liq																															

Style No:		CHP/HHP460		Outdoor Ambient Temperature - Degrees F. Dry Bulb																															
Voltage		208/230		75				85				95				105				115															
Phase		1		Entering Indoor Temperature - Degrees F. Wet Bulb																															
Ampacity		32.8		59				63				67				71				59				63				67				71			
Wire Ga	8	IDB	MBh	54.8	56.4	61.1	65.6	53.5	55.1	59.6	64.0	52.2	53.7	58.2	62.4	49.6	51.1	55.3	59.3	45.9	47.3	51.2	54.9												
Wire Ft	51		SIT	.79	.71	.53	.34	.81	.72	.55	.35	.84	.75	.57	.36	.87	.78	.59	.38	.88	.78	.59	.38												
Delay Fuse	40		AMPS	17.5	18.0	18.6	19.3	19.1	19.5	20.2	21.0	20.4	20.9	21.6	22.4	21.7	22.3	23.0	23.9	23.0	23.6	24.4	25.3												
Max. Fuse	50		HI PR	174	187	197	206	197	212	224	234	225	242	255	266	253	272	287	300	279	301	317	331												
Compressor	COPELAND		LO PR	60	64	69	74	62	66	72	77	65	69	76	81	68	73	79	85	71	75	82	87												
RLA	25	80	MBh	55.8	57.0	60.9	65.1	54.5	55.6	59.5	63.6	53.1	54.3	58.0	62.0	50.5	51.6	55.1	58.9	46.8	47.8	51.0	54.6												
LRA	169		SIT	.87	.81	.66	.49	.89	.83	.68	.51	.92	.86	.70	.52	.95	.89	.73	.54	.96	.90	.73	.55												
Cap MFD/IV	80 / 370		AMPS	17.7	18.1	18.7	19.4	19.2	19.7	20.4	21.2	20.6	21.1	21.8	22.6	21.9	22.5	23.2	24.1	23.2	23.8	24.6	25.6												
CC Heater	NONE		HI PR	175	189	199	208	199	215	227	236	227	244	258	269	255	275	290	303	282	304	321	334												
Start Kit	NONE		LO PR	60	64	70	75	63	67	73	78	66	70	77	81	69	73	80	85	71	76	83	88												
Fan Motor-HP	1/4	85	MBh	56.8	57.9	60.6	64.6	55.4	56.5	59.2	63.1	54.1	55.1	57.7	61.6	51.4	52.3	54.8	58.5	47.6	48.5	50.8	54.2												
Type	PSC		SIT	.91	.88	.79	.64	.93	.90	.81	.66	.96	.93	.84	.68	1.00	.96	.87	.70	1.00	.97	.88	.71												
FLA	1.5		AMPS	17.9	18.3	18.9	19.6	19.4	19.9	20.6	21.3	20.8	21.3	22.0	22.8	22.1	22.7	23.4	24.3	23.5	24.0	24.9	25.8												
LRA	2.9		HI PR	177	191	201	210	201	217	229	239	229	247	261	272	258	278	293	306	285	307	324	338												
MAX RPM	840		LO PR	61	65	71	75	63	67	74	78	67	71	77	82	70	74	81	86	72	77	84	89												
Cap MFD/IV	7.5 / 370	Heating																																	
PTCR	NONE	IDB	Outdoor Ambient Temperature - Degrees F. Dry Bulb																																
Hi Press	NONE		MBh	70.4	66.6	62.8	58.6	56.0	54.3	50.4	46.5	48.6	44.9	41.3	39.0	37.6	33.7	29.9	26.1	22.2	18.2														
Low Press	NONE		T/R	37	35	33	31	30	29	27	25	26	24	22	21	20	18	16	14	12	10														
Low Amb	NONE		KW	4.8	4.7	4.6	4.5	4.5	4.4	4.3	4.2	4.9	4.8	4.6	4.6	4.5	4.4	4.3	4.2	4.1	4.0														
Defrost	ElecTime-Temp		AMPS	24.6	22.8	21.3	20.0	19.3	18.9	17.8	16.9	16.2	15.5	14.7	14.4	14.2	13.4	12.5	11.8	10.9	9.8														
Sensor	31-71	70	COP	4.3	4.1	4.0	3.8	3.7	3.6	3.4	3.2	2.9	2.8	2.6	2.5	2.4	2.2	2.0	1.8	1.6	1.3														
Operating Chg (25 Ft Line)*	(R-22Oz) 400		EER	14.7	14.2	13.6	13.0	12.6	12.3	11.6	11.0	10.0	9.4	8.9	8.5	8.3	7.6	6.9	6.2	5.5	4.6														
Service Driers			HI PR	251	241	231	221	216	212	204	195	187	179	172	168	165	158	152	146	141	136														
Liquid/Chg	30Culn/17oz		LO PR	72	66	62	57	54	52	48	43	38	34	30	28	27	23	20	17	15	11														
Suction	30Sqn		Calculated averaged performance data, for service applications for all matches. Part No: 1086902																																
				*Add or Subtract (Oz per Ft) for Lines: .25oz - 1/4 Liq, .45oz - 5/16 Liq, .60oz - 3/8 Liq, 1.2 oz - 1/2 Liq																															

