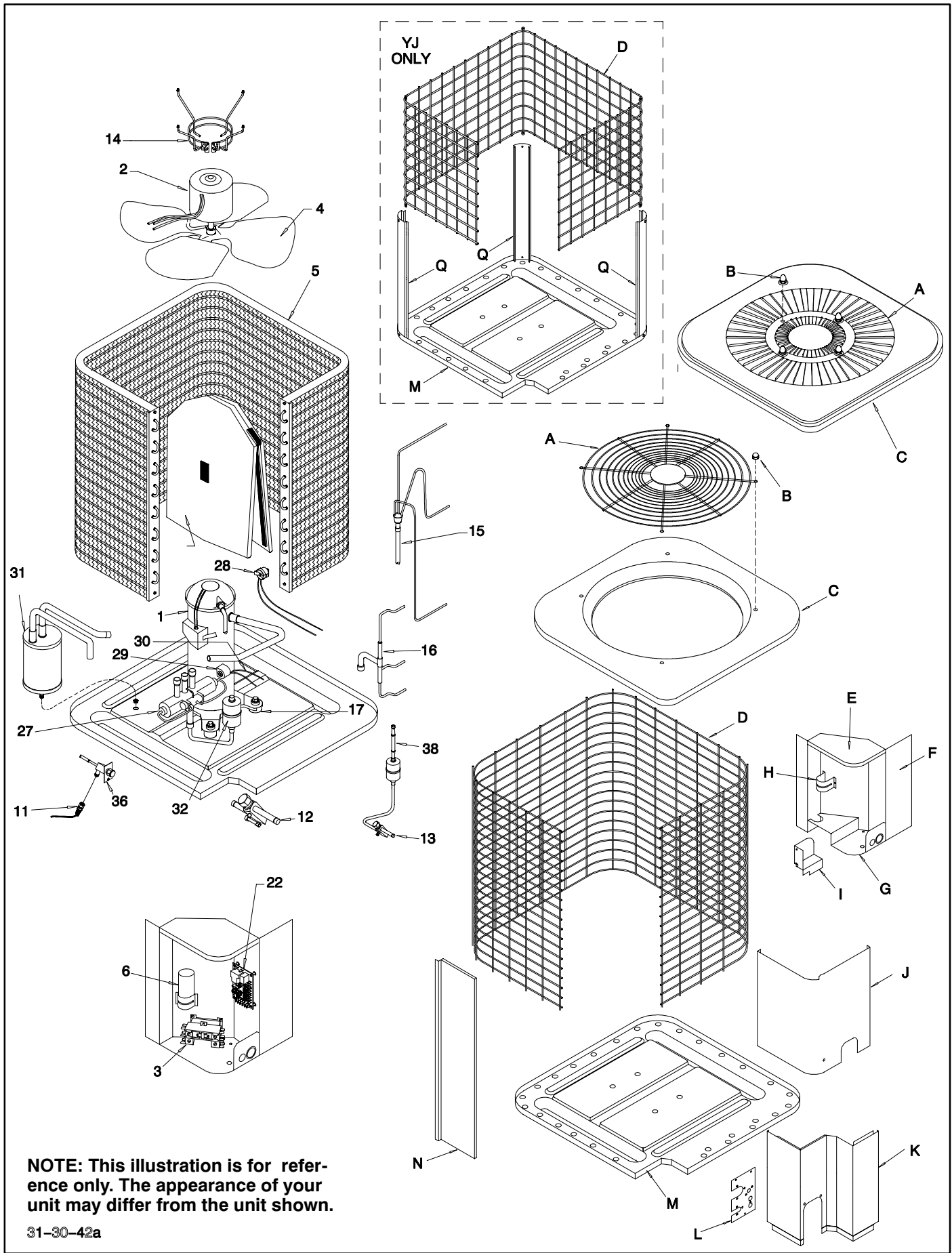


Replacement Parts - CH55 & YJ SERIES



NOTE: This illustration is for reference only. The appearance of your unit may differ from the unit shown.

31-30-42a

**Models - CH5518VKC3, CH5524VKC3, CH5530VKC2, CH5536VKC2, CH5542VKC2, CH5548VKC2, CH5560VKC2
YJ018GA3, YJ024GA3, YJ030GA2, YJ036GA2, YJ042GA2, YJ048GA2, YJ060GA2**

#	DESCRIPTION	Part No.	1 8	2 4	3 0	3 6	4 2	4 8	6 0
1	COMPRESSOR ZR16KCPFV	1080975	1						
1	ZR24KCPFV	1080976	*	1					
1	ZR28KCPFV	1082500	*	*	1				
1	ZR36KCPFV	1082501	*	*	*	1			
1	ZR42KCPFV	1082502	*	*	*	*	1		
1	ZR47KCPFV	1084518	*	*	*	*	*	1	
1	ZR61KCPFV	1084520	*	*	*	*	*	*	1
2	MOTOR, FAN	1082639	1	1					
2		1082642	*	*	1	1	1		
2		1052820	*	*	*	*	*	1	1
3	CONTACTOR 25AMP	1050699	1	1	1	1			
3	35AMP	1050839	*	*	*	*	1	1	
3	40AMP	1149653	*	*	*	*	*	*	1
4	FAN	1080771	1	1					
4		1080773	*	*	1	1			
4		1080777	*	*	*	*	1		
4		1053345	*	*	*	*	*	1	
4		1053341	*	*	*	*	*	*	1
5	CONDENSER	1080906	1						
5		1080960	*	1					
5		1081003	*	*	1				
5		1080969	*	*	*	1			
5		1081076	*	*	*	*	1		
5		1080966	*	*	*	*	*	1	
5		1080963	*	*	*	*	*	*	1
6	CAPACITOR, 30+3MFD,370V	1082631	1						
6	35+3MFD,370V	1082632	*	1					
6	35+5MFD,440V	1094984	*	*	1	1			
6	40+5MFD,440V	1094987	*	*	*	*	1		
6	40+5MFD,370V	1094980	*	*	*	*	*	1	
6	60+5MFD,370V	1095025	*	*	*	*	*	*	1
11	SWITCH, LOW PRESSURE	1081019	1	1	1	1	1	1	1
12	VALVE, SERVICE SUCTION	1080878	1	1					
12		1080995	*	*	1				
12		1080980	*	*	*	1			
12		1081023	*	*	*	*	1		
12		1080996	*	*	*	*	*	1	
12		1080997	*	*	*	*	*	*	1
13	VALVE, SERVICE LIQUID	1080999	1	1	1	1			
13		1081000	*	*	*	*	1	1	1
14	MOUNT, FAN MOTOR (CH55 ONLY)	1051460	*	*	1	1	1		
14		1081813	*	*	*	*	*	1	1
15	DISTRIBUTOR ASSEMBLY	1081049	1						
15		1081091	*	1					
15		1081004	*	*	1				
15		1081069	*	*	*	1			
15		1081074	*	*	*	*	1		
15		1081082	*	*	*	*	*	1	
15		1081087	*	*	*	*	*	*	1
16	MANIFOLD	1081048	1						
16		1081047	*	1					
16		1081042	*	*	1				
16		1081043	*	*	*	1			
16		1081044	*	*	*	*	1		
16		1081045	*	*	*	*	*	1	
16		1081046	*	*	*	*	*	*	1
16		1053901	*	*	*	*	*	*	1
17	GROMMET, COMPRESSOR	1052060	4	4	4	4	4	4	4
17	RESTRICTOR ORIFICE .048	1057994	1						
19	.056	1055490	*	1					
19	.063	1052933	*	*	1				
19	.070	1053644	*	*	*	1			
19	.073	1054027	*	*	*	*	1		
19	.082	1092222	*	*	*	*	*	1	
19	.093	1055493	*	*	*	*	*	*	1
22	CONTROL, DEFROST	1069364	1	1	1	1	1	1	1
25	DRIER, FILTER	1064507	1	1	1	1	1	1	1
27	VALVE, REVERSING	1095322	1	1					
27		1095321	*	*	1				
27		1095226	*	*	*	1	1		
27		1095319	*	*	*	*	*	1	
27		34329030	*	*	*	*	*	*	1

#	DESCRIPTION	Part No.	1 8	2 4	3 0	3 6	4 2	4 8	6 0
28	SENSOR, DEFROST	1082738	1	1	1	1	1	1	1
29	COIL, REVERSING VALVE	34329055	1	1	1	1	1	1	1
30	HARNESS, REVERSING VALVE	1066711	1	1	1	1	1	1	1
31	ACCUMULATOR	1063781	1	1					
31		1092835	*	*	1				
31		1081064	*	*	*	1	1		
31		1081063	*	*	*	*	*	1	
31		1081065	*	*	*	*	*	*	1
32	MUFFLER	1059730	1	1	1	1	1	1	1
36	PORT ASY, H/L/O (TEST)	1080998	1	1	1	1	1	1	1
38	CONTROL, FLOW .041	1080981	1						
38	.051	1080982	*	1					
38	.054	1080983	*	*	1				
38	.063	1080984	*	*	*	1			
38	.069	1080985	*	*	*	*	1		
38	.076	1080986	*	*	*	*	*	1	
38	.080	1080987	*	*	*	*	*	*	1
38		1081940	1	1	1	1	1	1	1
)(HARNESS, COMP W/PLUG								
#	DESCRIPTION	Part No.	1 8	2 4	3 0	3 6	4 2	4 8	6 0
A	GRILLE, OUTLET	1084613	*	*	*	*	*	1	1
A	(YJ ONLY)	1068202	*	*	1	1	1		
B	NUT, CAP	1052962	4	4					
B	(CH55 ONLY)	1052963	*	*	4	4	4		
B	(YJ ONLY)	1052962	*	*	4	4	4		
B		1053248	*	*	*	*	*	4	4
C	PANEL, TOP (CH55 ONLY)	1084556	1	1					
C	(CH55 ONLY)	1084559	*	*	1	1	1		
C		1084560	*	*	*	*	*	1	1
C	(YJ ONLY)	1084557	1	1					
C	(YJ ONLY)	1084558	*	*	1	1	1		
D	GRILLE, INLET (CH55 ONLY)	1084592	1						
D	(CH55 ONLY)	1084587	*	1					
D	(CH55 ONLY)	1084595	*	*	1				
D	(CH55 ONLY)	1084596	*	*	*	1			
D	(CH55 ONLY)	1084597	*	*	*	*	1		
D		1084610	*	*	*	*	*	1	
D		1084609	*	*	*	*	*	*	1
D	(YJ ONLY)	1084589	1						
D	(YJ ONLY)	1084591	*	1					
D	(YJ ONLY)	1084601	*	*	1				
D	(YJ ONLY)	1084603	*	*	*	1			
D	(YJ ONLY)	1084611	*	*	*	*	1		
E	TOP, CONTROL BOX	1064781	1	1					
E		1064362	*	*	1	1	1	1	1
F	BOX, CONTROL	1097101	1	1					
F		1060005	*	*	1	1	1	1	1
G	BOTTOM, CONTROL BOX	1052888	1	1					
G		1064364	*	*	1	1	1	1	1
H	CLAMP, CAPACITOR	1095021	1	1					
H		1064218	*	*	1	1	1	1	1
I	DIVIDER, LOW VOLTAGE	1051297	1	1	1	1	1	1	1
J	COVER, CONTROL BOX	1084561	1	1					
J		1084562	*	*	1	1	1	1	1
K	PANEL, CORNER	1084566	1						
K		1084569	*	1					
K		1084570	*	*	1				
K		1084573	*	*	*	1			1
K		1084575	*	*	*	*	1		
K		1084578	*	*	*	*	*	1	
L	PLATE, FITTING	1052849	1	1	1	1	1	1	1
L		1081007	*	*	*	*	1		1
M	BASEPAN (CH55 ONLY)	1084550	1	1					
M	(CH55 ONLY)	1084552	*	*	1	1	1		
M		1084554	*	*	*	*	*	1	1
M	(YJ ONLY)	1084551	1	1					
M	(YJ ONLY)	1084553	*	*	1	1	1		
N	PANEL, ACCESS	1084620	*	*	*	*	*	1	
N		1084616	*	*	*	*	*	*	1
Q	POST, CORNER (YJ ONLY)	1084579	3		3				
Q	(YJ ONLY)	1084580	*	3		3			
Q	(YJ ONLY)	1084581	*	*	*	*	3		
S	PLATE, VALVE MOUNTING	1081008	*	*	*	*	1		1
)(MANUAL, PARTS LIST	4280421020	1	1	1	1	1	1	1
)(MANUAL, INSTALLATION	4280112010	1	1	1	1	1	1	1
)(MANUAL, USERS	4280211010	1	1	1	1	1	1	1
)(PART NOT ILLUSTRATED								