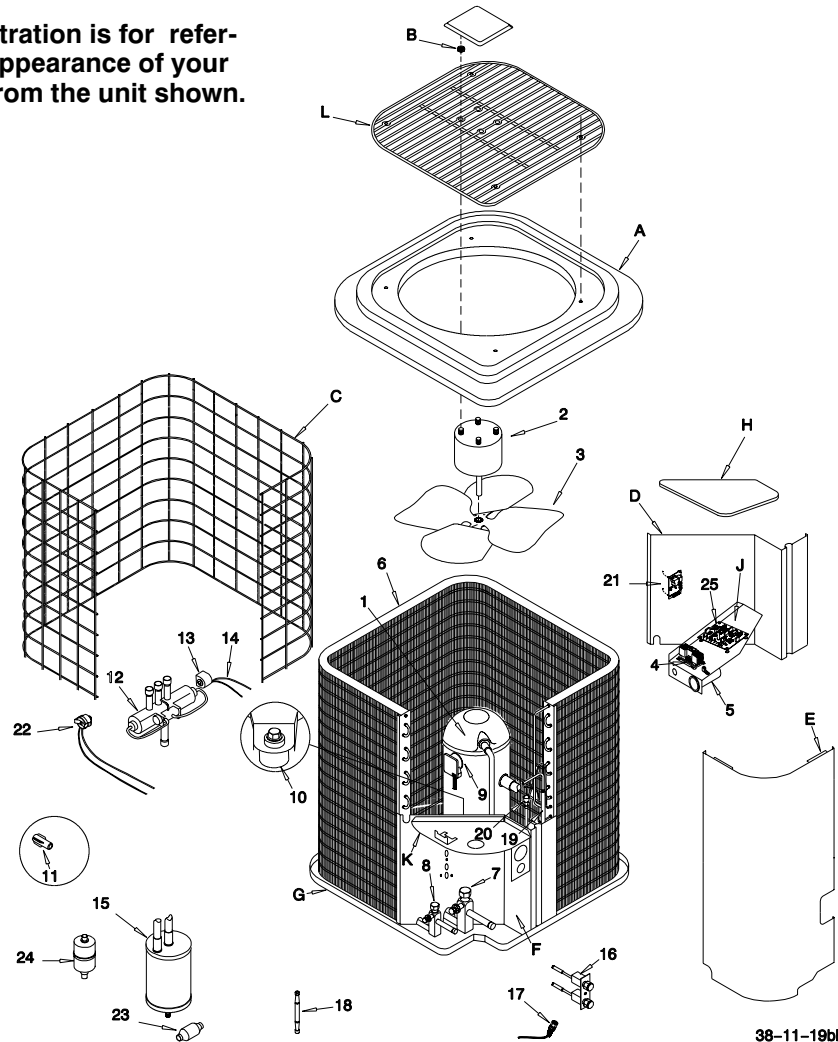


Replacement Parts, W/D & Tech Data

CHP424-460 Series

NOTE: This illustration is for reference only. The appearance of your unit may differ from the unit shown.

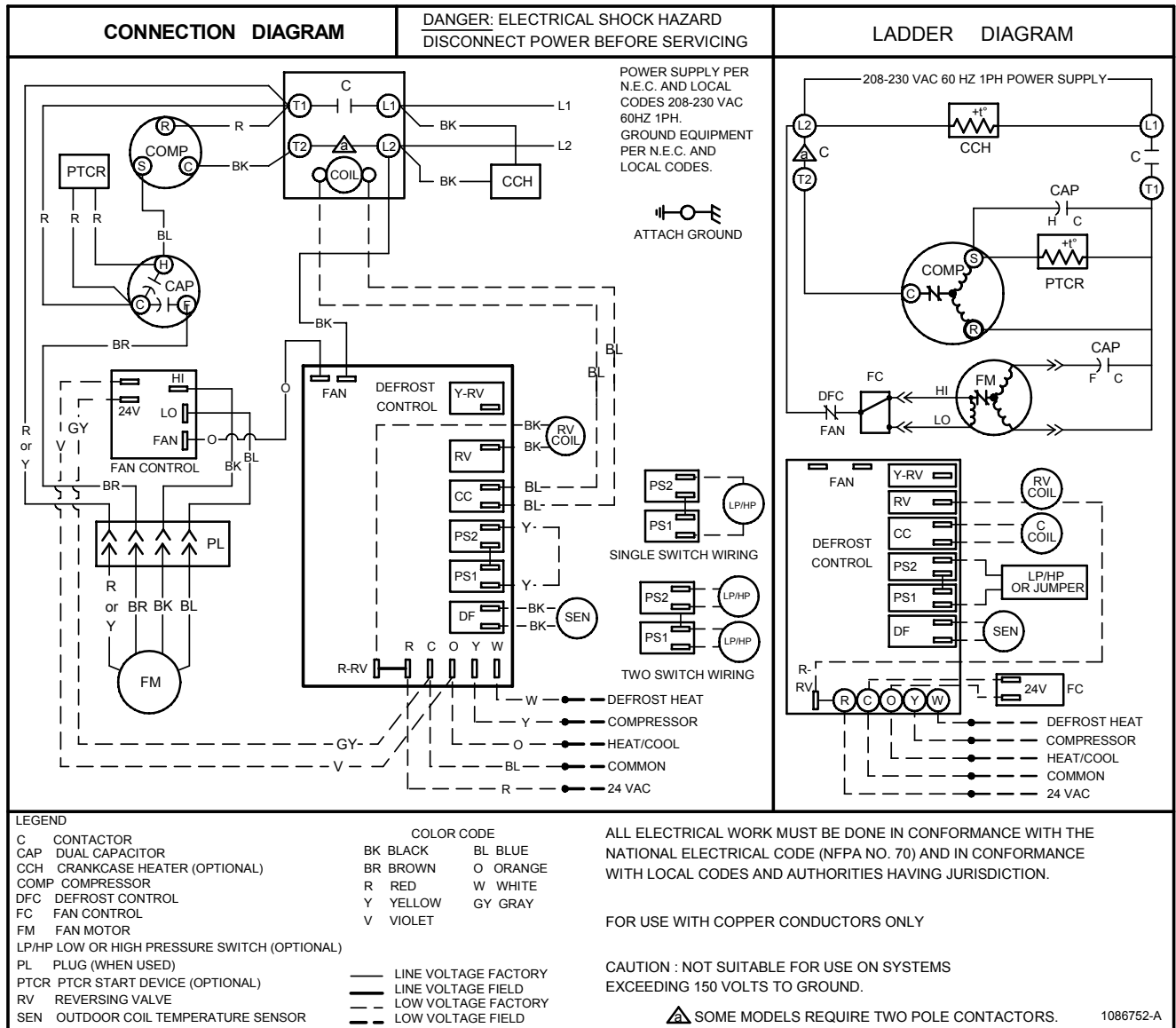


38-11-19bh

KEY NO.	DESCRIPTION	PART NUMBER	CHP424AKA1	CHP424GKA1	CHP430AKA1	CHP430GKA1	CHP436AKA1	CHP436GKA1	CHP442AKA1	CHP442GKA1	CHP448AKA1	CHP448GKA1	CHP460AKA1	CHP460GKA1
			*	*	*	*	*	*	*	*	*	*	*	
A	Panel, Top	1086061	1	1	1	1	1	1	1	1	1	1	1	1
B	Nut, Lock	1086356	4	4	4	4	4	4	4	4	4	4	4	4
C	Grille, Inlet	1086329	1	1	1	1	1	1	1	1	1	1	1	1
C	* Indicates Coil Guard	*1087180	1	1	1	1	1	1	1	1	1	1	1	1
D	Box, Control	1086947	1	1	1	1	1	1	1	1	1	1	1	1
E	Cover, Control Box	1086360	1	1	1	1	1	1	1	1	1	1	1	1
F	Panel, Corner	1086350	1	1	1	1	1	1	1	1	1	1	1	1
G	Panel, Base	1086060	1	1	1	1	1	1	1	1	1	1	1	1
H	Top, Control Box	1086045	1	1	1	1	1	1	1	1	1	1	1	1
J	Shelf, Control Box	1086363	1	1	1	1	1	1	1	1	1	1	1	1
J		1086044	-	-	-	-	1	1	1	1	1	1	1	1
K	Bottom, Control Box	1086039	1	1	1	1	1	1	1	1	1	1	1	1
L	Grille, Top Discharge	1086062	1	1	1	1	1	1	1	1	1	1	1	1
)	Manual, Parts List	42843340100	1	1	1	1	1	1	1	1	1	1	1	1
)	Manual, Owners	42802300100	1	1	1	1	1	1	1	1	1	1	1	1
)	Manual, Installation	42101320102	1	1	1	1	1	1	1	1	1	1	1	1

Replacement Parts - CHP424-460 Series

DESCRIPTION	PART NUMBER	CHP424AKA1	*CHP424GKA1	CHP430AKA1	*CHP430GKA1	CHP436AKA1	*CHP436GKA1	CHP442AKA1	*CHP442GKA1	CHP448AKA1	*CHP448GKA1	CHP460AKA1	*CHP460GKA1
Compressor, With Plug	ZR18K3PFV130	1											
	ZR24K3PFV130	-		1									
	ZR30K3PFV130	-		-		1							
	ZR36K3PFV130	-		-		-		1					
	ZR42K3PFV130	-		-		-		-		1			
	ZR54K3PFV130	-		-		-		-		-			1
Motor, Condenser Fan	1086396	1		1		1							
	1086397	-		-		-		1		1			1
Fan Blade	1086518	1		1		1							
	1087079	-		-		-		1					
	1087080	-		-		-		-		1			
	1087081	-		-		-		-		-			1
Contactor, 25 Amp 35 Amp 40 Amp	1050699	1		1		1							
	1050839	-		-		-		1		1			
	1059574	-		-		-		-		-			1
Capacitor, 370 Volt. 5+30 Mfd 370 Volt 5+40 Mfd 370 Volt 5+45 Mfd 370 Volt 7.5+50 Mfd 370 Volt 7.5+60 Mfd 370 Volt 7.5+80 Mfd	1086637	1											
	1086639	-		1									
	1086640	-		-		1							
	1086646	-		-		-		1					
	1086649	-		-		-		-		1			
	1086650	-		-		-		-		-			1
Condenser Coil	1087088	1											
	1087089	-		1									
	1087090	-		-		1		1		1			
	1087091	-		-		-		-		-			1
Service Valve (Suction)	1087244	1		1		1							
	1086805	-		-		-		1		1			1
Service Valve (Liquid)	1085989	1		1		1		1		1		1	
Plug, Compressor Harness	1081940	1		1		1		1		1		1	
Grommet, Compressor	1052060	4		4		4		4		4		4	
Valve, Reversing	513542	1		1									
	34329002	-		-		1		1					
	34329030	-		-		-		-		1			1
Coil, Reversing Valve	34329055	1		1		1		1		1		1	
Harness, Reversing Valve Coil	1066711	1		1		1		1		1		1	
Accumulator	1081064	1		1									
	1081063	-		-		1		1					
	1061328	-		-		-		-		1			1
Port Valve Asy	1080998	1		1		1		1		1		1	
Switch, Low Pressure	1081019	1		1		1		1		1		1	
Control, Flow .030 .056 .065 .049 .061 .095	1087250	1											
	1087301	-		1									
	1086742	-		-		1							
	1087302	-		-		-		1					
	1086741	-		-		-		-		1			
	1086740	-		-		-		-		-			1
Distributor	1053087	1											
	1052830	-		1									
	1052793	-		-		1		1		1			
	1087307	-		-		-		-		-			1
Control, Defrost	1069364	1		1		1		1		1		1	
Sensor, Defrost Control	1082738	1		1		1		1		1		1	
Muffler	1059730	1		1		1		1		1		1	
Drier	1064507	1		1		1		1		1		1	
Control, Fan	1086071	1		1		1		1		1		1	
Valve, Expansion	1087245	1											
	1087246	-		1									
	1085277	-		-		1							
	1087247	-		-		-		1					
	1087248	-		-		-		-		1			
	1087249	-		-		-		-		-			1



		PISTON CHART																													
		COIL MODELS (1)																													
Outdoor Units (2)		EPA/D/M18	EPA/D/M24	EPA/D/M30	EPA/D/M36	EPA/D/M42	EPA/D/M48	EPA/D/M60	EPP024	EPP030	EPP036	EAH5524SA	EAH5536SA	EAH5548SA	EAH5560SA	EEA/D24	EEA/D30	EEA/D36	EEA/D48	EEA/D60	EMH24	EMH30	EMH36	EMH42	EMH48	FCP24	FCP30	FCP36	FCP42	FCP48	FCP60
		(51)	(59)	(65)	(72)	(78)	(79)	(90)	(59)	(65)	(72)	(56)	(71)	(84)	(89)	(51)	(59)	(65)	(78)	(79)	(59)	(65)	(72)	(78)	(79)	(59)	(65)	(72)	(78)	(79)	(90)
424																															
430																															
436																															
442																															
448																															
460																															

(1) - The number in parentheses with the coil model number is the size of the piston installed in the coil. The installer must change the pin to the size indicated in the chart if it is different from the factory installed pin.

(2) - The number in parentheses following the outdoor unit model number is the size of the piston shipped with the outdoor unit.

Note: If the required orifice is not shipped with the outdoor unit or coil it must be field supplied.

Style No:	CHP/HHP424	Outdoor Ambient Temperature - Degrees F. Dry Bulb																				
		75				85				95				105				115				
		Entering Indoor Temperature - Degrees F. Wet Bulb																				
		IDB	59	63	67	71	59	63	67	71	59	63	67	71	59	63	67	71	59	63	67	71
Voltage	208/230																					
Phase	1																					
Ampacity	14.3																					
Wire Ga	14																					
Wire Ft	45																					
Delay Fuse	15																					
Max. Fuse	25																					
Compressor	COPELAND																					
RLA	10.83																					
LRA	47																					
Cap MFD/V	30 / 370																					
CC Heater	NONE																					
Start Kit	NONE																					
Fan Motor-HP	1/8																					
Type	PSC																					
FLA	0.8																					
LRA	1.5																					
MAX RPM	840																					
Cap MFD/V	5 / 370																					
PTCR	NONE																					
Hi Press	NONE																					
Low Press	NONE																					
Low Amb	NONE																					
Defrost	ElecTime-Temp																					
Sensor	31-71																					
Operating Chg	(R-22Oz)																					
(25 Ft Line)*	300																					
Service Driers																						
Liquid/Chg	8Culn/7oz																					
Suction	30SqIn																					

Calculated averaged performance data, for service applications for all matches. Part No: 1086897
 *Add or Subtract (Oz per Ft) for Lines: .25oz - 1/4 Liq, .45oz - 5/16 Liq, .60oz - 3/8 Liq, 1.2oz - 1/2 Liq

Style No:	CHP/HHP430	Outdoor Ambient Temperature - Degrees F. Dry Bulb																				
		75				85				95				105				115				
		Entering Indoor Temperature - Degrees F. Wet Bulb																				
		IDB	59	63	67	71	59	63	67	71	59	63	67	71	59	63	67	71	59	63	67	71
Voltage	208/230																					
Phase	1																					
Ampacity	16																					
Wire Ga	14																					
Wire Ft	35																					
Delay Fuse	15																					
Max. Fuse	25																					
Compressor	COPELAND																					
RLA	12.189																					
LRA	61																					
Cap MFD/V	40 / 370																					
CC Heater	NONE																					
Start Kit	NONE																					
Fan Motor-HP	1/8																					
Type	PSC																					
FLA	0.8																					
LRA	1.5																					
MAX RPM	840																					
Cap MFD/V	5 / 370																					
PTCR	NONE																					
Hi Press	NONE																					
Low Press	NONE																					
Low Amb	NONE																					
Defrost	ElecTime-Temp																					
Sensor	31-71																					
Operating Chg	(R-22Oz)																					
(25 Ft Line)*	292																					
Service Driers																						
Liquid/Chg	8Culn/7oz																					
Suction	30SqIn																					

Calculated averaged performance data, for service applications for all matches. Part No: 1086898
 *Add or Subtract (Oz per Ft) for Lines: .25oz - 1/4 Liq, .45oz - 5/16 Liq, .60oz - 3/8 Liq, 1.2oz - 1/2 Liq

