

TECHNICAL SUPPORT MANUAL

Split System Air Conditioner

(C,H,T)XA6

Safety Labeling and Signal Words

DANGER, WARNING, CAUTION, and NOTE

The signal words **DANGER**, **WARNING**, **CAUTION**, and **NOTE** are used to identify levels of hazard seriousness. The signal word **DANGER** is only used on product labels to signify an immediate hazard. The signal words **WARNING**, **CAUTION**, and **NOTE** will be used on product labels and throughout this manual and other manuals that may apply to the product.

DANGER - Immediate hazards which **will** result in severe personal injury or death.

WARNING - Hazards or unsafe practices which **could** result in severe personal injury or death.

CAUTION - Hazards or unsafe practices which **may** result in minor personal injury or product or property damage.

NOTE - Used to highlight suggestions which **will** result in enhanced installation, reliability, or operation.

Signal Words in Manuals

The signal word **WARNING** is used throughout this manual in the following manner:



The signal word **CAUTION** is used throughout this manual in the following manner:



Signal Words on Product Labeling

Signal words are used in combination with colors and/or pictures on product labels.

TABLE OF CONTENTS

Model Number Identification	2
R-410A Quick Reference Guide	3
Wiring Diagrams	4-5
Charging Chart	6
Tech Labels (Expanded Data)	7 - 11
Condenser Only Data	12 - 13
CXA6 HXA6 TXA6 Parts List	14 - 19
Exploded Drawings	20 - 22
Cooling Multiplying Factors	23 - 85

MODELS

CXA618GKA100	HXA618GKA100	TXA618GKA100
CXA624GKA100	HXA624GKA100	TXA624GKA100
CXA630GKA100	HXA630GKA100	TXA630GKA100
CXA636GKA100	HXA636GKA100	TXA636GKA100
CXA642GKA100	HXA642GKA100	TXA642GKA100
CXA648GKA100	HXA648GKA100	TXA648GKA100
CXA649GKA100	HXA649GKA100	TXA649GKA100
CXA660GKA100	HXA660GKA100	TXA660GKA100
CXA661GKA100	HXA661GKA100	TXA661GKA100

DEATH, PERSONAL INJURY, AND/OR PROPERTY DAMAGE HAZARD

Failure to carefully read and follow this warning could result in equipment malfunction, property damage, personal injury and/or death.

Installation or repairs made by unqualified persons could result in equipment malfunction, property damage, personal injury and/or death.

The information contained in this manual is intended for use by a qualified service technician familiar with safety procedures and equipped with the proper tools and test instruments.

Installation must conform with local building codes and with the National Electrical Code NFPA70 current edition or Canadian Electrical Code Part 1 CSA C.22.1.

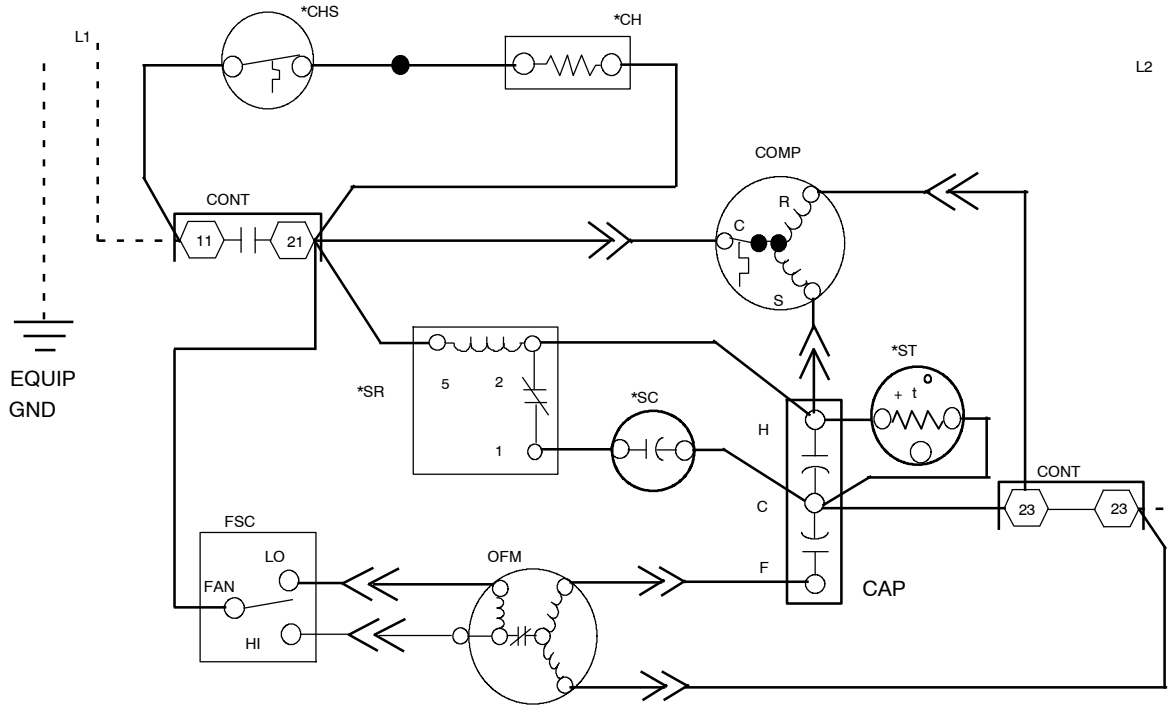
OUTDOOR UNIT MODEL NUMBER IDENTIFICATION GUIDE (single phase)											
Digit Position:	1	2	3	4	5, 6	7	8	9	10	11	12
Example Part Number:	H	X	A	6	18	G	K	A	1	0	0
Product Family											
4 = R-410A	REFRIGERANT										
A = Air Conditioner											
H = Heat Pump			TYPE								
3 = 13 SEER											
4 = 14 SEER											
5 = 15 SEER											
6 = 16 SEER											
7 = 17 SEER											
8 = 18 SEER			NOMINAL EFFICIENCY								
18 = 18,000 BTUH = 1½ tons											
24 = 24,000 BTUH = 2 tons											
30 = 30,000 BTUH = 2½ tons											
36 = 36,000 BTUH = 3 tons											
42 = 42,000 BTUH = 3½ tons											
48 = 48,000 BTUH = 4 tons											
49 = 49,000 BTUH = 4 tons											
60 = 60,000 BTUH = 5 tons											
61 = 60,000 BTUH = 5 tons			NOMINAL CAPACITY								
A = Standard Grille											
G = Coil Guard Grille											
C = Coastal			FEATURES								
K = 208/230-1-60			VOLTAGE								
Sales Code											
Engineering Revision											
Extra Digit											
Extra Digit											

ACCESSORIES PART NUMBER IDENTIFICATION GUIDE									
Digit Position:	1	2	3	4	5	6, 7	8, 9	10, 11	
Example Part Number:	N	A	S	A	0	01	01	CH	
N = Non-Branded	BRANDING								
A = Accessory	PRODUCT GROUP								
S = Split System (AC & HP)			KIT USAGE						
A = Original									
B = 2nd Generation			MAJOR SERIES						
0 = Generic or Not Applicable									
2 = R-22									
4 = R-410A			REFRIGERANT						
Product Identifier Number									
Package Quantity									
Type of Kit (Example: CH = Crankcase Heater)									

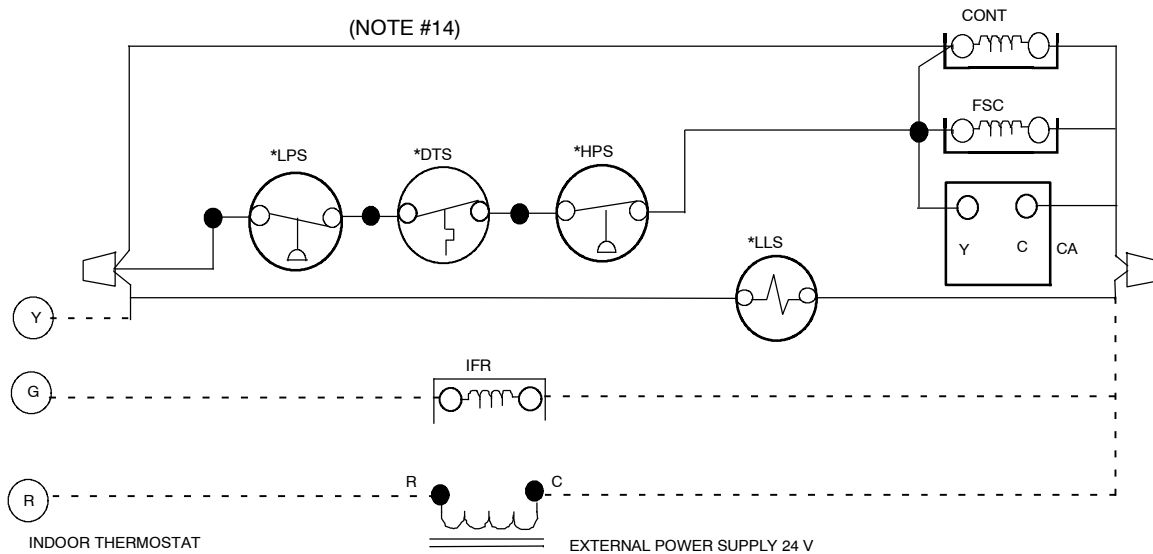
R-410A QUICK REFERENCE GUIDE

- R-410A refrigerant operates at 50% – 70% higher pressures than R-22. Be sure that servicing equipment and replacement components are designed to operate with R-410A.
- R-410A refrigerant cylinders are rose colored.
- Recovery cylinder service pressure rating must be 400 psig, DOT 4BA400 or DOT BW400.
- R-410A systems should be charged with liquid refrigerant. Use a commercial type metering device in the manifold hose when charging into suction line with compressor operating.
- Manifold sets should be 750 psig high-side and 200 psig low-side with 520 psig low-side retard.
- Use hoses with 750 psig service pressure rating.
- Leak detectors should be designed to detect HFC refrigerant.
- R-410A, as with other HFC refrigerants, is only compatible with POE oils.
- Vacuum pumps will not remove moisture from oil.
- Do not use liquid line filter-driers with rated working pressures less than 600 psig.
- Do not install a suction line filter-drier in liquid line.
- POE oils absorb moisture rapidly. Do not expose oil to atmosphere.
- POE oils may cause damage to certain plastics and roofing materials.
- Wrap all filter-driers and service valves with wet cloth when brazing.
- A liquid line filter-drier is required on every unit.
- Do not use with an R-22 TXV.
- If indoor unit is equipped with an R-22 TXV, it must be changed to an R-410A TXV.
- Never open system to atmosphere while it is under a vacuum.
- When system must be opened for service, break vacuum with dry nitrogen and replace all filter-driers. Evacuate to 500 microns before recharging.
- Do not vent R-410A into the atmosphere.
- Do not use capillary tube indoor coils.
- Observe all **WARNINGS**, **CAUTIONS**, **NOTES**, and **bold** text.

Model Sizes: 18, 24, 30, 36, 42, 48, 49, 60, 61 SCHEMATIC DIAGRAM (LADDER FORM)



(NOTE #14)



LEGEND

- | | | | |
|-------|----------------------------|------|-------------------------|
| — | FACTORY POWER WIRING | COMP | COMPRESSOR |
| — | FACTORY CONTROL WIRING | *DTS | DISCHARGE TEMP SWITCH |
| - - - | FIELD CONTROL WIRING | FSC | FAN SPEED CONTROL |
| - - - | FIELD POWER WIRING | *HPS | HIGH PRESSURE SWITCH |
| — | CONDUCTOR ON CIRCUIT BOARD | IFR | INDOOR FAN RELAY |
| ○ | COMPONENT CONNECTION | *LLS | LIQ LINE SOLENOID VALVE |
| ○ | FIELD SPLICE | *LPS | LOW PRESSURE SWITCH |
| —●— | JUNCTION | OFM | OUTDOOR FAN MOTOR |
| ⏏ | PLUG RECEPTACLE | PL1 | COMPRESSOR PLUG |
| CA | COMFORT ALERT | PL2 | OUTDOOR FAN PLUG |
| CAP | CAPACITOR (DUAL RUN) | R1 | RECEPTACLE |
| CONT | CONTACTOR | *SC | START CAPACITOR |
| *CH | CRANKCASE HEATER | *SR | START RELAY |
| *CHS | CRANKCASE HEATER SWITCH | *ST | START THERMISTOR |

*** MAY BE FACTORY INSTALLED**

R-410A CHARGING CHART												
Measured Liquid Pressure (psig)	Rating Plate (required) Subcooling Temperature °F (°C)											
	°F 6	(°C) 3	°F 8	(°C) 4	°F 10	(°C) 6	°F 12	(°C) 7	F 14	(°C) 8	F 16	(°C) 9
	R-410A Required Liquid Line Temperature °F (°C)											
251	78	26	76	24	74	23	72	22	70	21	68	20
259	80	27	78	26	76	24	74	23	72	22	70	21
266	82	28	80	27	78	26	76	24	74	23	72	22
274	84	29	82	28	80	27	78	26	76	24	74	23
283	86	30	84	29	82	28	80	27	78	26	76	24
291	88	31	86	30	84	29	82	28	80	27	78	26
299	90	32	88	31	86	30	84	29	82	28	80	27
308	92	33	90	32	88	31	86	30	84	29	82	28
317	94	34	92	33	90	32	88	31	86	30	84	29
326	96	36	94	34	92	33	90	32	88	31	86	30
335	98	37	96	36	94	34	92	33	90	32	88	31
345	100	38	98	37	96	36	94	34	92	33	90	32
364	104	40	102	39	100	38	98	37	96	36	94	34
374	106	41	104	40	102	39	100	38	98	37	96	36
384	108	42	106	41	104	40	102	39	100	38	98	37
395	110	43	108	42	106	41	104	40	102	39	100	38
406	112	44	110	43	108	42	106	41	104	40	102	39
416	114	46	112	44	110	43	108	42	106	41	104	40
427	116	47	114	46	112	44	110	43	108	42	106	41
439	118	48	116	47	114	46	112	44	110	43	108	42
450	120	49	118	48	116	47	114	46	112	44	110	43
462	122	50	120	49	118	48	116	47	114	46	112	44
474	124	51	122	50	120	49	118	48	116	47	114	46

 **CAUTION**

1. Compressor damage may occur if system is over charged.
2. This unit is factory charged with R-410A in accordance with the amount shown on the rating plate. The charge is adequate for most systems using matched coils and tubing not over 15 feet long. Check refrigerant charge for maximum efficiency. See Product Data Literature for Required indoor air Flow Rates and for use of line lengths over 15 feet.
3. Relieve pressure and recover all refrigerant before system repair or final disposal. Use all service ports and open all flow-control devices, including solenoid valves.
4. Never vent refrigerant to atmosphere. Use approved recovery equipment.

COOLING ONLY CHARGING PROCEDURE

1. Only use sub cooling charging method when OD ambient is greater than 70°F and less than 100°F, indoor temp is greater than 70°F and less than 80°F, and line set is less than 80 ft.
2. Operate unit a minimum of 15 minutes before checking the charge.
3. Measure liquid service valve pressure by attaching an accurate gauge to the service port.
4. Measure the liquid line temperature by attaching an accurate thermistor type or electric thermometer to the liquid line near the outdoor coil.
5. Refer to unit rating plate for required sub-cooling temperature.
6. Find the point where the required sub-cooling temperature intersect the measured liquid service valve pressure.
7. To obtain the required sub-cooling temperature at specific liquid line pressure, add refrigerant if liquid line Temperature is higher than indicated. When adding refrigerant, change in liquid form using a flow restricting Device into suction service port. Recover refrigerant if temperature is lower. Allow a tolerance of +/- 3°F.

COOLING		30 Size Outdoor With EN(A,D)4X31*17** Indoor Cooling																								
		85							95							105		115								
		57	62	63††	67	72	57	62	63††	67	72	57	62	63††	67	72	57	62	63††	67	72					
CFM		27.76	28.31	28.76	30.99	34.09	26.76	27.08	27.47	29.61	32.58	25.69	25.80	26.11	28.16	31.00	24.52	24.56	24.65	26.61	29.32	23.25	23.28	23.07	24.94	27.51
MBh†		1.00	0.86	0.69	0.66	0.49	1.00	0.88	0.70	0.68	0.50	1.00	0.90	0.72	0.69	0.50	1.00	1.00	0.73	0.71	0.51	1.00	1.00	0.76	0.73	0.53
S/T†		8.35	8.35	8.35	8.33	8.29	9.20	9.20	9.20	9.19	9.16	10.17	10.17	10.17	10.18	10.16	10.14	11.29	11.29	11.29	11.29	11.27	12.57	12.57	12.57	12.56
AMPS*		263	264	264	266	268	306	307	307	309	312	354	354	354	357	360	406	406	406	409	413	462	463	462	465	469
HIPR		132	135	136	147	161	135	137	138	149	163	138	139	140	151	165	142	142	142	153	167	146	146	145	155	169
LO PR		28.93	29.03	29.30	31.55	34.67	27.84	27.89	27.95	30.10	33.09	26.70	26.74	26.55	28.60	31.45	25.46	25.50	25.04	27.00	29.71	24.11	24.14	23.40	25.27	27.83
MBh†		1.00	0.99	0.72	0.70	0.51	1.00	1.00	0.73	0.71	0.51	1.00	1.00	0.75	0.73	0.52	1.00	1.00	0.77	0.75	0.54	1.00	1.00	0.80	0.78	0.55
S/T†		8.54	8.54	8.55	8.52	8.48	9.40	9.40	9.40	9.38	9.35	10.37	10.37	10.38	10.36	10.34	11.49	11.49	11.50	11.48	11.47	12.77	12.77	12.77	12.78	12.76
AMPS*		264	264	265	267	269	308	308	308	310	313	355	355	355	358	361	407	407	407	409	413	464	464	463	466	470
HIPR		138	139	140	150	164	141	142	141	152	166	145	145	143	154	168	148	148	145	156	170	152	152	147	158	172
LO PR		29.89	29.93	29.70	31.96	35.09	28.74	28.78	28.32	30.47	33.45	27.53	27.57	26.87	28.93	31.76	26.22	26.26	25.32	27.29	29.97	24.80	24.83	23.66	25.52	28.04
MBh†		1.00	1.00	0.75	0.73	0.52	1.00	1.00	0.77	0.75	0.53	1.00	1.00	0.79	0.77	0.55	1.00	1.00	0.81	0.79	0.56	1.00	1.00	0.84	0.82	0.57
S/T†		8.74	8.74	8.74	8.72	8.68	9.59	9.59	9.60	9.58	9.54	10.57	10.57	10.58	10.56	10.53	11.69	11.69	11.70	11.68	11.66	12.97	12.97	12.97	12.98	12.96
AMPS*		265	265	265	267	270	309	309	309	308	311	314	356	356	358	362	409	409	407	410	414	466	466	464	467	471
HIPR		144	144	144	142	153	167	147	147	144	155	169	150	150	146	157	170	153	153	148	158	157	157	157	150	161
LO PR																										

COOLING		36 Size Outdoor With EN(A,D)4X37*17** Indoor Cooling																								
		85							95							105		115								
		57	62	63††	67	72	57	62	63††	67	72	57	62	63††	67	72	57	62	63††	67	72					
CFM		33.38	34.09	34.65	37.33	41.06	32.16	32.58	33.08	35.65	39.22	30.85	31.00	31.40	33.87	37.27	29.43	29.47	29.62	31.96	35.20	27.91	27.95	27.73	29.95	33.01
MBh†		1.00	0.88	0.70	0.67	0.50	1.00	0.90	0.71	0.69	0.50	1.00	0.92	0.73	0.70	0.51	1.00	1.00	0.75	0.72	0.52	1.00	1.00	0.77	0.75	0.54
S/T†		9.81	9.82	9.83	9.87	9.95	10.91	10.92	10.93	10.98	11.06	12.14	12.14	12.15	12.20	12.28	13.54	13.54	13.54	13.59	13.67	15.15	15.15	15.15	15.19	15.27
AMPS*		260	260	261	262	263	304	304	304	306	308	352	352	352	354	356	404	404	404	406	409	462	462	462	464	467
HIPR		132	135	136	147	161	135	137	138	149	163	138	139	140	151	165	142	142	142	153	167	146	146	145	155	169
LO PR		34.80	34.94	35.31	38.02	41.77	33.47	33.53	33.66	36.25	39.84	32.07	32.12	31.93	34.40	37.82	30.55	30.60	30.09	32.44	35.67	28.93	28.97	28.13	30.35	33.39
MBh†		1.00	0.92	0.73	0.71	0.52	1.00	1.00	0.75	0.72	0.52	1.00	1.00	0.77	0.74	0.53	1.00	1.00	0.79	0.77	0.55	1.00	1.00	0.82	0.79	0.56
S/T†		10.08	10.08	10.09	10.14	10.22	11.19	11.19	11.19	11.24	11.33	12.41	12.41	12.41	12.46	12.56	13.81	13.81	13.81	13.85	13.94	15.42	15.42	15.41	15.45	15.53
AMPS*		261	261	261	262	264	305	305	305	306	308	353	353	353	354	357	405	405	405	407	410	463	463	462	464	467
HIPR		138	139	140	150	164	141	141	141	152	166	144	145	143	154	168	148	148	145	156	170	152	152	147	158	172
LO PR		35.96	36.01	35.80	38.51	42.28	34.56	34.61	34.11	36.70	40.29	33.08	33.12	32.32	34.80	38.19	31.47	31.51	30.43	32.78	35.98	29.76	29.80	28.44	30.65	33.65
MBh†		1.00	1.00	0.76	0.74	0.53	1.00	1.00	0.78	0.76	0.54	1.00	1.00	0.80	0.78	0.56	1.00	1.00	0.83	0.81	0.57	1.00	1.00	0.86	0.84	0.59
S/T†		10.35	10.35	10.35	10.40	10.48	11.46	11.46	11.45	11.51	11.60	12.69	12.69	12.67	12.73	12.82	14.09	14.08	14.07	14.12	14.21	15.69	15.69	15.67	15.71	15.79
AMPS*		261	261	261	262	264	305	305	305	307	308	353	353	353	355	357	406	406	406	407	410	464	464	463	465	468
HIPR		144	144	144	142	153	167	146	147	144	155	169	150	150	146	157	171	153	153	148	159	173	157	157	150	161
LO PR																										

See Notes following tables.

COOLING		42 Size Outdoor With EN(A,D)4X43*24** Indoor Cooling																									
		85							95							115											
		Outdoor Ambient Temperature - Degrees F, Dry Bulb																									
CFM		Entering Indoor Temperature - Degrees F, Wet Bulb																									
		57	62	63††	67	72	57	62	63††	67	72	57	62	63††	67	72	57	62	63††	67	72						
	MBh†	40.45	41.32	41.97	45.17	49.58	38.96	39.49	40.06	43.10	47.31	37.34	37.56	38.02	40.90	44.88	35.60	35.65	35.83	38.55	42.30	33.73	33.78	33.53	36.07	39.58	
	S/††	1.00	0.85	0.68	0.66	0.49	1.00	0.87	0.69	0.67	0.49	1.00	0.89	0.71	0.69	0.50	1.00	1.00	0.73	0.71	0.51	1.00	1.00	0.75	0.73	0.52	
1225	AMPS*	11.89	11.90	11.91	11.97	12.06	13.15	13.17	13.18	13.25	13.36	14.61	14.62	14.63	14.72	14.85	16.26	16.26	16.27	16.37	16.52	18.12	18.12	18.11	18.22	18.37	
	HIPR	268	268	269	271	273	311	312	312	314	317	359	359	359	362	365	411	411	411	411	414	418	467	467	467	470	474
	LO PR	130	133	135	145	159	133	135	137	147	161	137	138	139	149	163	140	141	141	152	166	145	145	143	154	168	
	MBh†	42.10	42.31	42.74	45.95	50.40	40.50	40.55	40.75	43.80	48.02	38.76	38.82	38.61	41.50	45.48	36.89	36.94	36.36	39.07	42.82	34.89	34.93	33.97	36.51	39.99	
	S/††	1.00	0.89	0.71	0.69	0.50	1.00	1.00	0.73	0.71	0.51	1.00	1.00	0.75	0.72	0.52	1.00	1.00	0.77	0.75	0.53	1.00	1.00	0.79	0.77	0.55	
1400	AMPS*	12.21	12.21	12.22	12.28	12.37	13.49	13.49	13.49	13.57	13.68	14.95	14.95	14.95	15.04	15.17	16.61	16.61	16.59	16.69	16.84	18.47	18.47	18.43	18.54	18.70	
	HIPR	269	269	269	271	274	313	313	313	315	318	360	360	360	363	366	412	412	412	412	415	418	469	469	468	471	475
	LO PR	136	137	138	148	162	139	140	140	150	164	143	143	142	152	166	146	147	144	155	169	150	151	146	157	171	
	MBh†	43.46	43.52	43.31	46.53	50.98	41.76	41.82	41.25	44.31	48.52	39.91	39.96	39.06	41.95	45.91	37.93	37.98	36.74	39.45	43.16	35.81	35.86	34.30	36.83	40.25	
	S/††	1.00	1.00	0.74	0.72	0.52	1.00	1.00	0.76	0.74	0.53	1.00	1.00	0.78	0.76	0.54	1.00	1.00	0.81	0.79	0.56	1.00	1.00	0.84	0.82	0.57	
1575	AMPS*	12.53	12.53	12.53	12.59	12.68	13.81	13.82	13.80	13.88	14.00	15.29	15.29	15.26	15.35	15.49	16.95	16.95	16.91	17.01	17.16	18.81	18.82	18.75	18.86	19.02	
	HIPR	270	270	270	272	274	314	314	313	316	319	362	362	361	363	367	414	414	414	412	415	419	470	470	469	471	475
	LO PR	142	142	141	151	165	145	145	142	153	167	148	148	144	155	169	151	152	146	157	171	155	156	148	159	173	

COOLING		48 Size Outdoor With ED*4X60L** Indoor Cooling																									
		85							95							115											
		Outdoor Ambient Temperature - Degrees F, Dry Bulb																									
CFM		Entering Indoor Temperature - Degrees F, Wet Bulb																									
		57	62	63††	67	72	57	62	63††	67	72	57	62	63††	67	72	57	62	63††	67	72						
	MBh†	45.04	45.88	46.55	50.40	55.66	43.30	43.74	44.30	47.90	52.87	41.48	41.61	41.99	45.35	50.01	39.52	39.58	39.55	42.69	47.02	37.43	37.48	37.00	39.88	43.90	
	S/††	1.00	0.89	0.71	0.68	0.50	1.00	0.91	0.72	0.70	0.51	1.00	0.99	0.74	0.72	0.52	1.00	1.00	0.76	0.74	0.53	1.00	1.00	0.78	0.76	0.54	
1400	AMPS*	13.41	13.32	13.28	12.82	12.12	14.98	14.94	14.92	14.58	14.04	16.61	16.60	16.59	16.36	15.97	18.34	18.34	18.35	18.21	17.95	20.24	20.24	20.26	20.19	20.03	
	HIPR	261	262	262	265	268	304	304	304	307	311	350	350	350	353	358	400	400	400	404	408	455	455	455	458	463	
	LO PR	131	134	135	145	159	135	136	137	147	161	138	139	139	150	163	142	142	141	152	166	146	146	144	154	168	
	MBh†	46.93	47.08	47.42	51.27	56.61	45.05	45.11	45.06	48.67	53.68	43.05	43.11	42.64	46.00	50.68	40.93	40.99	40.11	43.23	47.58	38.67	38.72	37.45	40.33	44.33	
	S/††	1.00	0.99	0.74	0.72	0.52	1.00	1.00	0.76	0.73	0.53	1.00	1.00	0.78	0.75	0.54	1.00	1.00	0.80	0.78	0.55	1.00	1.00	0.83	0.81	0.57	
1600	AMPS*	13.56	13.54	13.53	13.05	12.31	15.19	15.19	15.21	14.85	14.28	16.88	16.87	16.92	16.67	16.26	18.66	18.66	18.71	18.55	18.27	20.59	20.59	20.63	20.55	20.38	
	HIPR	263	263	263	266	269	305	305	305	308	312	352	352	351	354	359	402	402	401	405	409	457	457	456	459	464	
	LO PR	137	138	138	149	162	141	141	140	151	164	144	144	142	153	166	148	148	144	155	169	152	152	147	157	171	
	MBh†	48.47	48.53	48.07	51.92	57.28	46.43	46.49	45.62	49.23	54.25	44.30	44.36	43.11	46.48	51.15	42.06	42.10	40.50	43.63	47.94	39.65	39.70	37.78	40.66	44.60	
	S/††	1.00	1.00	0.77	0.75	0.54	1.00	1.00	0.79	0.77	0.55	1.00	1.00	0.81	0.79	0.56	1.00	1.00	0.84	0.82	0.58	1.00	1.00	0.87	0.85	0.59	
1800	AMPS*	13.73	13.72	13.81	13.30	12.54	15.42	15.41	15.52	15.14	14.55	17.15	17.14	17.26	16.98	16.56	18.98	18.97	19.07	18.89	18.60	20.94	20.94	21.00	20.91	20.73	
	HIPR	264	264	264	266	269	307	307	306	309	313	353	353	352	355	359	404	404	404	402	405	410	459	459	457	460	465
	LO PR	142	143	141	151	165	146	146	143	153	167	149	149	145	155	169	152	153	147	157	171	156	157	149	160	173	

See Notes following tables.

49 Size Outdoor With ED*4X60L** Indoor Cooling																											
Outdoor Ambient Temperature - Degrees F, Dry Bulb																											
95																											
105																											
115																											
75																											
85																											
Entering Indoor Temperature - Degrees F, Wet Bulb																											
	57	62	63††	67	72	57	62	63††	67	72	57	62	63††	67	72	57	62	63††	67	72							
CFM																											
1400	MBh†	46.37	47.80	48.68	52.30	57.32	44.61	45.60	46.39	49.82	54.56	42.80	43.36	44.06	47.28	51.78	40.88	41.08	41.64	44.69	48.95	38.84	38.90	39.09	41.97	45.98	
	S/T†	1.00	0.87	0.70	0.68	0.50	1.00	0.89	0.71	0.69	0.51	1.00	0.92	0.73	0.71	0.52	1.00	0.94	0.75	0.72	0.53	1.00	1.00	0.77	0.75	0.54	
	AMPS*	14.18	14.14	14.12	14.00	13.81	15.93	15.93	15.94	15.91	15.86	17.73	17.74	17.76	17.81	17.86	19.68	19.68	19.70	19.79	19.91	21.84	21.84	21.85	21.96	22.11	
	HIPR	272	273	274	277	281	315	316	317	320	325	362	363	364	367	373	414	415	415	419	425	471	471	471	472	476	482
	LO PR	126	129	131	141	155	129	132	133	144	157	132	134	135	146	159	136	136	138	148	162	140	140	140	140	150	164
	MBh†	48.31	48.89	49.61	53.25	58.31	46.40	46.63	47.20	50.63	55.43	44.45	44.51	44.78	48.00	52.53	42.39	42.44	42.25	45.30	49.58	40.20	40.25	39.63	42.49	46.51	
	S/T†	1.00	0.92	0.73	0.71	0.52	1.00	0.94	0.75	0.72	0.53	1.00	1.00	0.76	0.74	0.54	1.00	1.00	0.79	0.76	0.55	1.00	1.00	0.81	0.79	0.56	
	AMPS*	14.44	14.42	14.42	14.28	14.09	16.26	16.26	16.26	16.22	16.17	18.10	18.10	18.11	18.15	18.19	20.06	20.06	20.06	20.14	20.26	22.23	22.23	22.23	22.22	22.32	22.47
	HIPR	274	274	275	278	282	317	317	318	321	326	365	365	366	369	374	417	417	417	420	426	474	474	474	473	477	483
	LO PR	132	133	135	145	158	135	135	137	147	160	138	138	139	149	163	142	142	141	151	165	146	146	146	143	153	167
	MBh†	49.89	49.94	50.29	53.94	59.05	47.86	47.92	48.50	51.25	56.05	45.77	45.83	45.29	48.51	53.06	43.59	43.64	42.70	45.75	50.02	41.29	41.34	40.01	42.87	46.86	
	S/T†	1.00	1.00	0.76	0.74	0.54	1.00	1.00	0.78	0.76	0.55	1.00	1.00	0.80	0.78	0.56	1.00	1.00	0.82	0.80	0.57	1.00	1.00	0.85	0.83	0.59	
	AMPS*	14.71	14.71	14.71	14.57	14.37	16.57	16.57	16.58	16.54	16.48	18.45	18.45	18.45	18.48	18.52	20.43	20.43	20.41	20.49	20.61	22.61	22.61	22.61	22.57	22.67	22.82
	HIPR	275	275	276	279	283	319	319	319	322	327	366	366	366	369	375	419	419	419	421	427	476	476	476	474	478	484
	LO PR	137	137	137	148	161	140	140	139	150	163	143	143	141	152	165	147	147	147	143	154	167	150	151	145	156	169

60 Size Outdoor With EN(A,D)4X61*24** Indoor Cooling																											
Outdoor Ambient Temperature - Degrees F, Dry Bulb																											
95																											
105																											
115																											
75																											
85																											
Entering Indoor Temperature - Degrees F, Wet Bulb																											
	57	62	63††	67	72	57	62	63††	67	72	57	62	63††	67	72	57	62	63††	67	72							
CFM																											
1750	MBh†	56.19	56.64	57.26	61.61	67.62	53.95	54.07	54.46	58.55	64.17	51.53	51.61	51.50	55.32	60.58	48.93	48.99	48.36	51.90	56.79	46.09	46.15	45.00	48.28	52.78	
	S/T†	1.00	0.89	0.71	0.68	0.50	1.00	0.99	0.72	0.70	0.51	1.00	1.00	0.74	0.72	0.52	1.00	1.00	0.76	0.74	0.53	1.00	1.00	0.79	0.77	0.55	
	AMPS*	16.27	16.28	16.28	16.32	16.37	17.92	17.93	17.93	18.00	18.10	19.74	19.74	19.74	19.73	19.83	19.96	21.77	21.77	21.75	21.86	22.01	24.08	24.08	24.04	24.15	24.30
	HIPR	270	271	271	274	279	313	314	314	317	322	360	360	360	364	369	411	411	411	410	415	420	467	467	465	470	475
	LO PR	136	137	138	148	162	139	139	140	150	164	143	143	142	153	167	146	147	144	155	169	151	151	146	157	171	
	MBh†	58.31	58.38	58.17	62.54	68.55	55.88	55.95	55.24	59.34	64.97	53.28	53.34	52.18	56.00	61.23	50.48	50.54	48.93	52.47	57.31	47.45	47.51	45.49	48.74	53.16	
	S/T†	1.00	1.00	0.74	0.72	0.52	1.00	1.00	0.76	0.74	0.53	1.00	1.00	0.78	0.76	0.54	1.00	1.00	0.81	0.79	0.56	1.00	1.00	0.84	0.82	0.57	
	AMPS*	16.72	16.73	16.73	16.76	16.81	18.40	18.40	18.39	18.45	18.55	20.22	20.22	20.19	20.29	20.42	22.26	22.26	22.21	22.32	22.47	24.57	24.57	24.50	24.61	24.76	
	HIPR	272	272	272	275	280	315	316	315	318	323	363	363	361	365	370	414	414	414	412	416	421	469	469	466	471	476
	LO PR	142	142	141	152	165	145	145	143	153	167	148	149	145	156	169	152	152	147	158	172	156	157	149	160	174	
	MBh†	60.03	60.10	58.84	63.21	69.20	57.44	57.51	55.83	59.93	65.50	54.68	54.74	52.68	56.49	61.65	51.71	51.77	49.37	52.89	57.62	48.52	48.57	45.89	49.12	53.39	
	S/T†	1.00	1.00	0.78	0.75	0.54	1.00	1.00	0.80	0.78	0.55	1.00	1.00	0.82	0.80	0.56	1.00	1.00	0.85	0.83	0.58	1.00	1.00	0.88	0.86	0.60	
	AMPS*	17.17	17.18	17.17	17.20	17.25	18.86	18.86	18.83	18.90	19.00	20.70	20.70	20.65	20.74	20.87	22.74	22.75	22.67	22.78	22.92	25.05	25.05	24.96	25.07	25.22	
	HIPR	274	274	273	276	280	317	317	316	319	324	364	364	362	366	371	415	415	413	417	422	471	471	467	472	477	
	LO PR	147	147	143	154	168	150	150	145	156	170	153	154	147	158	172	157	157	149	160	174	161	161	152	163	176	

See Notes following tables.

COOLING		61 Size Outdoor With EN(A,D)4X61*24** Indoor Cooling																																																																																																																																																																																																																																																																																																																																																																																																																																																																																																																																																																																																																																																																																																																																																																																																																																																																																																																																																																																																																																																																																																																																																																																																																																																																																																																																																																																																																
		Outdoor Ambient Temperature - Degrees F, Dry Bulb							95								105							115																																																																																																																																																																																																																																																																																																																																																																																																																																																																																																																																																																																																																																																																																																																																																																																																																																																																																																																																																																																																																																																																																																																																																																																																																																																																																																																																																																																										
		75							85							95							105							115																																																																																																																																																																																																																																																																																																																																																																																																																																																																																																																																																																																																																																																																																																																																																																																																																																																																																																																																																																																																																																																																																																																																																																																																																																																																																																																																																																																				
CFM		57	62	63††	67	72	77	82	87	92	97	102	107	112	117	122	127	132	137	142	147	152	157	162	167	172	177	182	187	192	197	202	207	212	217	222	227	232	237	242	247	252	257	262	267	272	277	282	287	292	297	302	307	312	317	322	327	332	337	342	347	352	357	362	367	372	377	382	387	392	397	402	407	412	417	422	427	432	437	442	447	452	457	462	467	472	477	482	487	492	497	502	507	512	517	522	527	532	537	542	547	552	557	562	567	572	577	582	587	592	597	602	607	612	617	622	627	632	637	642	647	652	657	662	667	672	677	682	687	692	697	702	707	712	717	722	727	732	737	742	747	752	757	762	767	772	777	782	787	792	797	802	807	812	817	822	827	832	837	842	847	852	857	862	867	872	877	882	887	892	897	902	907	912	917	922	927	932	937	942	947	952	957	962	967	972	977	982	987	992	997	1002	1007	1012	1017	1022	1027	1032	1037	1042	1047	1052	1057	1062	1067	1072	1077	1082	1087	1092	1097	1102	1107	1112	1117	1122	1127	1132	1137	1142	1147	1152	1157	1162	1167	1172	1177	1182	1187	1192	1197	1202	1207	1212	1217	1222	1227	1232	1237	1242	1247	1252	1257	1262	1267	1272	1277	1282	1287	1292	1297	1302	1307	1312	1317	1322	1327	1332	1337	1342	1347	1352	1357	1362	1367	1372	1377	1382	1387	1392	1397	1402	1407	1412	1417	1422	1427	1432	1437	1442	1447	1452	1457	1462	1467	1472	1477	1482	1487	1492	1497	1502	1507	1512	1517	1522	1527	1532	1537	1542	1547	1552	1557	1562	1567	1572	1577	1582	1587	1592	1597	1602	1607	1612	1617	1622	1627	1632	1637	1642	1647	1652	1657	1662	1667	1672	1677	1682	1687	1692	1697	1702	1707	1712	1717	1722	1727	1732	1737	1742	1747	1752	1757	1762	1767	1772	1777	1782	1787	1792	1797	1802	1807	1812	1817	1822	1827	1832	1837	1842	1847	1852	1857	1862	1867	1872	1877	1882	1887	1892	1897	1902	1907	1912	1917	1922	1927	1932	1937	1942	1947	1952	1957	1962	1967	1972	1977	1982	1987	1992	1997	2002	2007	2012	2017	2022	2027	2032	2037	2042	2047	2052	2057	2062	2067	2072	2077	2082	2087	2092	2097	2102	2107	2112	2117	2122	2127	2132	2137	2142	2147	2152	2157	2162	2167	2172	2177	2182	2187	2192	2197	2202	2207	2212	2217	2222	2227	2232	2237	2242	2247	2252	2257	2262	2267	2272	2277	2282	2287	2292	2297	2302	2307	2312	2317	2322	2327	2332	2337	2342	2347	2352	2357	2362	2367	2372	2377	2382	2387	2392	2397	2402	2407	2412	2417	2422	2427	2432	2437	2442	2447	2452	2457	2462	2467	2472	2477	2482	2487	2492	2497	2502	2507	2512	2517	2522	2527	2532	2537	2542	2547	2552	2557	2562	2567	2572	2577	2582	2587	2592	2597	2602	2607	2612	2617	2622	2627	2632	2637	2642	2647	2652	2657	2662	2667	2672	2677	2682	2687	2692	2697	2702	2707	2712	2717	2722	2727	2732	2737	2742	2747	2752	2757	2762	2767	2772	2777	2782	2787	2792	2797	2802	2807	2812	2817	2822	2827	2832	2837	2842	2847	2852	2857	2862	2867	2872	2877	2882	2887	2892	2897	2902	2907	2912	2917	2922	2927	2932	2937	2942	2947	2952	2957	2962	2967	2972	2977	2982	2987	2992	2997	3002	3007	3012	3017	3022	3027	3032	3037	3042	3047	3052	3057	3062	3067	3072	3077	3082	3087	3092	3097	3102	3107	3112	3117	3122	3127	3132	3137	3142	3147	3152	3157	3162	3167	3172	3177	3182	3187	3192	3197	3202	3207	3212	3217	3222	3227	3232	3237	3242	3247	3252	3257	3262	3267	3272	3277	3282	3287	3292	3297	3302	3307	3312	3317	3322	3327	3332	3337	3342	3347	3352	3357	3362	3367	3372	3377	3382	3387	3392	3397	3402	3407	3412	3417	3422	3427	3432	3437	3442	3447	3452	3457	3462	3467	3472	3477	3482	3487	3492	3497	3502	3507	3512	3517	3522	3527	3532	3537	3542	3547	3552	3557	3562	3567	3572	3577	3582	3587	3592	3597	3602	3607	3612	3617	3622	3627	3632	3637	3642	3647	3652	3657	3662	3667	3672	3677	3682	3687	3692	3697	3702	3707	3712	3717	3722	3727	3732	3737	3742	3747	3752	3757	3762	3767	3772	3777	3782	3787	3792	3797	3802	3807	3812	3817	3822	3827	3832	3837	3842	3847	3852	3857	3862	3867	3872	3877	3882	3887	3892	3897	3902	3907	3912	3917	3922	3927	3932	3937	3942	3947	3952	3957	3962	3967	3972	3977	3982	3987	3992	3997	4002	4007	4012	4017	4022	4027	4032	4037	4042	4047	4052	4057	4062	4067	4072	4077	4082	4087	4092	4097	4102	4107	4112	4117	4122	4127	4132	4137	4142	4147	4152	4157	4162	4167	4172	4177	4182	4187	4192	4197	4202	4207	4212	4217	4222	4227	4232	4237	4242	4247	4252	4257	4262	4267	4272	4277	4282	4287	4292	4297	4302	4307	4312	4317	4322	4327	4332	4337	4342	4347	4352	4357	4362	4367	4372	4377	4382	4387	4392	4397	4402	4407	4412	4417	4422	4427	4432	4437	4442	4447	4452	4457	4462	4467	4472	4477	4482	4487	4492	4497	4502	4507	4512	4517	4522	4527	4532	4537	4542	4547	4552	4557	4562	4567	4572	4577	4582	4587	4592	4597	4602	4607	4612	4617	4622	4627	4632	4637	4642	4647	4652	4657	4662	4667	4672	4677	4682	4687	4692	4697	4702	4707	4712	4717	4722	4727	4732	4737	4742	4747	4752	4757	4762	4767	4772	4777	4782	4787	4792	4797	4802	4807	4812	4817	4822	4827	4832	4837	4842	4847	4852	4857	4862	4867	4872	4877	4882	4887	4892	4897	4902	4907	4912	4917	4922	4927	4932	4937	4942	4947	4952	4957	4962	4967	4972	4977	4982	4987	4992	4997	5002	5007	5012	5017	5022	5027	5032	5037	5042	5047	5052	5057	5062	5067	5072	5077	5082	5087	5092	5097	5102	5107	5112	5117	5122	5127	5132	5137	5142	5147	5152	5157	5162	5167	5172	5177	5182	5187	5192	5197	5202	5207	5212	5217	5222	5227	5232	5237	5242	5247	5252	5257	5262	5267	5272	5277	5282	5287	5292	5297	5302	5307	5312	5317	5322	5327	5332	5337	5342	5347	5352	5357	5362	5367	5372	5377	5382	5387	5392	5397	5402	5407	5412	5417	5422	5427	5432	5437	5442	5447	5452	5457	5462	5467	5472	5477	5482	5487	5492	5497	5502	5507	5512	5517	5522	5527	5532	5537	5542	5547	5552	5557	5562	5567	5572	5577	5582	5587	5592	5597	5602	5607	5612	5617	5622	5627	5632	5637	5642	5647	5652	5657	5662	5667	5672	5677	5682	5687	5692	5697	5702	5707	5712	5717	5722	5727	5732	5737	5742	5747	5752	5757	5762	5767	5772	5777	5782	5787	5792	5797	5802	5807	5812	5817	5822	5827	5832	5837	5842	5847	5852	5857	5862	5867	5872	5877	5882	5887	5892	5897	5902	5907	5912	5917	5922	5927	5932	5937	5942	5947	5952	5957	5962	5967	5972	5977	5982	5987	5992	5997	6002	6007	6012	6017	6022	6027	6032	6037	6042	6047	6052	6057	6062	6067	6072	6077	6082	6087	6092	6097	6102	6107	6112	6117	6122	6127	6132	6137	6142	6147	6152	6157	6162	6167	6172	6177	6182	6187	6192	6197	6202	6207	6212	6217	6222	6227	6232	6237	6242	6247	6252	6257	6262	6267	6272	6277	6282	6287	6292	6297	6302	6307	6312	6317	6322	6327	6332	6337	6342	6347	6352	6357	6362	6367	6372	6377	6382	6387	6392	6397	6402	6407	6412	6417	6422	6427	6432	6437	6442	6447	6452	6457	6462	6467	6472	6477	6482	6487	6492	6497	6502	6507	6512	6517	6522	6527	6532	6537	6542	6547	6552	6557	6562	6567	6572	6577	6582	6587	6592	6597	6602	6607	6612	6617	6622	6627	6632	6637	6642	6647	6652	6657	6662	6667	6672	6677	6682	6687	6692	6697	6702	6707	6712	6717	6722	6727	6732	6737	6742	6747	6752	6757	6762	6767	6772	6777	6782	6787	6792	6797	6802	6807	6812	6817	6822	6827	6832	6837	6842	6847	6852

Data for Condenser Only (Cooling)									
Saturated Suction Temperature °F		Condenser Entering Air Temperature °F							
		55	65	75	85	95	105	115	125
(C,H,T)SA618									
30	TCG	15.70	14.90	14.10	13.20	12.30	11.30	10.30	9.20
	SDT	65.20	74.80	84.40	94.00	103.60	113.10	122.60	132.00
	KW	0.75	0.87	0.99	1.12	1.26	1.43	1.61	1.83
35	TCG	17.50	16.60	15.70	14.70	13.70	12.60	11.50	10.40
	SDT	66.30	75.90	85.40	94.90	104.40	113.80	123.20	132.70
	KW	0.74	0.86	0.99	1.12	1.27	1.43	1.61	1.83
40	TCG	19.40	18.40	17.40	16.30	15.20	14.10	12.90	11.60
	SDT	67.50	76.90	86.40	95.80	105.20	114.60	124.00	133.30
	KW	0.73	0.86	0.99	1.12	1.27	1.43	1.62	1.83
45	TCG	21.50	20.40	19.20	18.10	16.80	15.60	14.30	12.90
	SDT	68.70	78.00	87.40	96.70	106.10	115.40	124.80	134.10
	KW	0.72	0.85	0.99	1.13	1.27	1.44	1.62	1.83
50	TCG	23.70	22.50	21.20	19.90	18.60	17.20	15.80	14.30
	SDT	69.90	79.20	88.40	97.70	107.00	116.30	125.60	134.80
	KW	0.71	0.85	0.99	1.13	1.28	1.44	1.63	1.84
55	TCG	26.00	24.70	23.30	21.80	20.40	18.90	17.40	15.80
	SDT	71.20	80.40	89.60	98.80	108.00	117.20	126.50	135.60
	KW	0.71	0.85	0.99	1.14	1.29	1.46	1.64	1.85
(C,H,T)SA624									
30	TCG	20.50	19.50	18.50	17.30	16.20	14.90	13.60	12.30
	SDT	66.10	75.80	85.30	94.90	104.40	114.00	123.40	132.80
	KW	1.00	1.15	1.30	1.47	1.65	1.85	2.09	2.36
35	TCG	22.70	21.60	20.40	19.20	17.90	16.60	15.20	13.70
	SDT	67.20	76.80	86.30	95.80	105.30	114.70	124.10	133.50
	KW	0.99	1.15	1.30	1.47	1.65	1.86	2.09	2.36
40	TCG	25.10	23.80	22.50	21.20	19.80	18.30	16.80	15.30
	SDT	68.40	77.90	87.30	96.70	106.10	115.50	124.80	134.10
	KW	0.98	1.14	1.30	1.47	1.66	1.86	2.09	2.36
45	TCG	27.60	26.20	24.80	23.30	21.80	20.20	18.60	16.90
	SDT	69.60	79.00	88.30	97.60	107.00	116.30	125.60	134.90
	KW	0.97	1.14	1.30	1.48	1.66	1.87	2.10	2.37
50	TCG	30.30	28.80	27.20	25.60	23.90	22.20	20.40	18.50
	SDT	70.80	80.10	89.40	98.70	107.90	117.20	126.40	135.60
	KW	0.96	1.13	1.30	1.48	1.67	1.88	2.11	2.38
55	TCG	33.20	31.50	29.70	27.90	26.10	24.20	22.30	20.30
	SDT	72.10	81.30	90.50	99.70	108.90	118.10	127.30	136.40
	KW	0.95	1.13	1.31	1.49	1.68	1.89	2.12	2.39
(C,H,T)SA630									
30	TCG	25.00	23.60	22.30	20.90	19.50	18.00	16.30	14.40
	SDT	68.10	77.50	87.00	96.40	105.80	115.10	124.40	133.60
	KW	1.26	1.42	1.59	1.78	1.99	2.23	2.51	2.82
35	TCG	27.60	26.10	24.70	23.20	21.60	20.00	18.20	16.30
	SDT	69.40	78.70	88.10	97.40	106.70	116.00	125.30	134.40
	KW	1.27	1.43	1.60	1.79	2.00	2.24	2.52	2.83
40	TCG	30.50	28.80	27.20	25.60	23.90	22.20	20.30	18.20
	SDT	70.70	79.90	89.20	98.50	107.70	117.00	126.20	135.30
	KW	1.28	1.43	1.60	1.79	2.01	2.25	2.53	2.85
45	TCG	33.50	31.70	29.90	28.20	26.40	24.40	22.40	20.20
	SDT	72.00	81.20	90.40	99.60	108.80	118.00	127.20	136.30
	KW	1.28	1.43	1.61	1.80	2.01	2.26	2.54	2.86
50	TCG	36.70	34.70	32.80	30.90	28.90	26.90	24.70	22.30
	SDT	73.50	82.50	91.60	100.80	110.00	119.20	128.20	137.20
	KW	1.28	1.43	1.61	1.80	2.02	2.27	2.55	2.87
55	TCG	40.10	38.00	35.90	33.80	31.60	29.40	27.10	24.60
	SDT	75.00	84.00	93.00	102.10	111.20	120.30	129.30	138.20
	KW	1.27	1.43	1.60	1.80	2.02	2.27	2.55	2.88
(C,H,T)SA636									
30	TCG	31.30	29.70	28.10	26.40	24.60	22.80	20.80	18.80
	SDT	69.50	78.70	87.90	97.20	106.60	115.90	125.20	134.60
	KW	1.43	1.64	1.86	2.10	2.37	2.68	3.04	3.47

Data for Condenser Only (Cooling)									
Saturated Suction Temperature °F		Condenser Entering Air Temperature °F							
		55	65	75	85	95	105	115	125
35	TCG	34.50	32.80	31.00	29.20	27.30	25.30	23.20	21.00
	SDT	70.70	79.90	89.10	98.30	107.60	116.80	126.10	135.40
	KW	1.43	1.65	1.87	2.11	2.38	2.69	3.05	3.47
40	TCG	38.10	36.10	34.20	32.20	30.10	27.90	25.70	23.30
	SDT	72.10	81.20	90.30	99.50	108.70	117.80	127.10	136.30
	KW	1.44	1.66	1.88	2.12	2.39	2.70	3.06	3.48
45	TCG	41.80	39.70	37.60	35.40	33.10	30.80	28.30	25.70
	SDT	73.70	82.60	91.60	100.70	109.80	118.90	128.10	137.20
	KW	1.45	1.67	1.90	2.14	2.41	2.72	3.07	3.49
50	TCG	45.90	43.60	41.20	38.80	36.30	33.80	31.10	28.30
	SDT	75.30	84.10	93.10	102.00	111.10	120.10	129.10	138.10
	KW	1.47	1.69	1.92	2.16	2.43	2.74	3.09	3.50
55	TCG	50.20	47.60	45.10	42.40	39.80	37.00	34.10	31.10
	SDT	77.00	85.70	94.60	103.40	112.30	121.30	130.20	139.10
	KW	1.49	1.71	1.94	2.19	2.46	2.76	3.11	3.52
(C,H,T)SA642									
30	TCG	38.00	36.30	34.40	32.40	30.20	27.90	25.60	23.10
	SDT	69.80	79.20	88.70	98.10	107.40	116.70	125.90	135.10
	KW	1.83	2.03	2.26	2.54	2.86	3.22	3.63	4.09
35	TCG	42.00	40.10	38.00	35.80	33.40	30.90	28.40	25.70
	SDT	71.20	80.60	89.90	99.20	108.40	117.70	126.80	136.00
	KW	1.84	2.04	2.28	2.56	2.88	3.24	3.65	4.11
40	TCG	46.30	44.20	41.80	39.40	36.80	34.10	31.30	28.40
	SDT	72.70	81.90	91.20	100.40	109.60	118.70	127.80	136.90
	KW	1.85	2.06	2.30	2.58	2.90	3.26	3.67	4.13
45	TCG	50.90	48.50	45.90	43.20	40.40	37.40	34.40	31.20
	SDT	74.20	83.30	92.50	101.60	110.80	119.90	128.90	137.90
	KW	1.86	2.07	2.32	2.60	2.92	3.29	3.70	4.16
50	TCG	55.70	53.10	50.20	47.30	44.10	40.90	37.60	34.20
	SDT	75.80	84.80	93.90	103.00	112.00	121.00	130.00	138.90
	KW	1.87	2.09	2.34	2.63	2.95	3.32	3.73	4.19
55	TCG	60.90	57.90	54.80	51.50	48.10	44.60	41.00	37.30
	SDT	77.40	86.40	95.40	104.40	113.40	122.30	131.20	140.00
	KW	1.89	2.11	2.36	2.66	2.99	3.36	3.77	4.23

CXA6 PARTS LIST

KEY NO.	DESCRIPTION	PART NO.	CXA6 PARTS LIST									
			CXA618GKA100	CXA624GKA100	CXA630GKA100	CXA636GKA100	CXA642GKA100	CXA648GKA100	CXA649GKA100	CXA660GKA100	CXA661GKA100	
01	COMPRESSOR	ZP16K5EPFV130	1	-	-	-	-	-	-	-	-	-
01	COMPRESSOR	ZP20K5EPFV130	-	1	-	-	-	-	-	-	-	-
01	COMPRESSOR	ZP24K5EPFV130	-	-	1	-	-	-	-	-	-	-
01	COMPRESSOR	ZP29K5EPFV130	-	-	-	1	-	-	-	-	-	-
01	COMPRESSOR	ZP34K5EPFV130	-	-	-	-	1	-	-	-	-	-
01	COMPRESSOR	ZP38K5EPFV130	-	-	-	-	-	1	-	-	-	-
01	COMPRESSOR	ZP42K5EPFV130	-	-	-	-	-	-	1	-	-	-
01	COMPRESSOR	ZP44K5EPFV130	-	-	-	-	-	-	-	1	-	-
01	COMPRESSOR	ZP49K5EPFV130	-	-	-	-	-	-	-	-	-	1
02	MTR CND 1/230 1/12 820	1183631	1	-	-	-	-	-	-	-	-	-
02	MTR CND 1/230 1/10 1100	1177913	-	1	1	-	-	-	-	-	-	-
02	MTR CND 1/230 1/12 820	1179379	-	-	-	1	-	-	-	-	-	-
02	MTR CND 1/230 1/5	1177593	-	-	-	-	1	-	-	-	-	-
02	MTR CND 1/230 1/4	1177473	-	-	-	-	-	1	1	1	1	1
03	FAN C 24" 3B 1/2" 15 INT	1173721	1	-	-	-	-	-	-	-	-	-
03	FAN C 24" 3B 1/2" 18 INT	1172715	-	1	1	-	-	-	-	-	-	-
03	FAN C 26" 3B 1/2" 16 INT	1174940	-	-	-	1	-	-	-	-	-	-
03	FAN C 26" 3B 1/2" 21 INT	1173661	-	-	-	-	1	-	-	-	-	-
03	FAN C 26" 3B 1/2" 24 INT	1172716	-	-	-	-	-	1	1	1	1	1
04	CONTACTOR 1P 30A 24V W/SHUNT	1172472	1	1	1	1	1	1	1	-	-	-
04	CONTACTOR 1P 40A 24V	1176763	-	-	-	-	-	-	-	1	1	-
05	CAP RN RD 370V 3+30	1172090	1	-	-	-	-	-	-	-	-	-
05	CAP RN RD 370V 5+35	1172110	-	1	-	-	-	-	-	-	-	-
05	CAP RN RD 370V 5+40	1172147	-	-	1	-	-	-	-	-	-	-
05	CAP RN RD 370V 3+45	1172092	-	-	-	1	-	-	-	-	-	-
05	CAP RN RD 370V 5+45	1172124	-	-	-	-	1	1	-	-	-	-
05	CAP RN RD 370V 5+70	1172163	-	-	-	-	-	-	1	-	-	-
05	CONTACTOR 1P 40A	1176763	-	-	-	-	-	-	-	1	1	-
06	COIL ASY COND	1183632	1	-	-	-	-	-	-	-	-	-
06	COIL ASY COND	1183623	-	1	-	-	-	-	-	-	-	-
06	COIL ASY COND	1183358	-	-	1	-	-	-	-	-	-	-
06	COIL ASY COND	1183624	-	-	-	1	-	-	-	-	-	-
06	COIL ASY COND	1183625	-	-	-	-	1	-	-	-	-	-
06	COIL ASY COND	1179157	-	-	-	-	-	1	-	-	-	-
06	COIL ASY COND	1183626	-	-	-	-	-	-	1	-	-	-
06	COIL ASY COND	1183627	-	-	-	-	-	-	-	1	1	-
07	VALVE SVC PARK SUC 12S-12S	1172726	1	1	1	-	-	-	-	-	-	-
07	VALVE SVC PARK SUC 14S-14S	1172727	-	-	-	1	1	1	1	1	1	1
08	VALVE SVC PARK LIQ 06S-06S	1172792	1	1	1	1	1	1	1	1	1	1
09	PLUG COMPRESSOR	1173921	1	1	1	1	-	-	-	-	-	-
09	PLUG COMPRESSOR	1174743	-	-	-	-	1	-	-	-	-	-
09	PLUG COMP WIRE (SM) 12GAx58"	1174686	-	-	-	-	-	1	1	1	1	1
10	GROMMET COMPRESSOR 1.62"DIA	1171270	4	4	4	4	4	4	4	4	4	4
11	BOLT SHLDR COMP. MTG,	1173630	4	4	4	4	4	4	4	4	4	4
21	CONTROL 2 SPD FAN	1183095	1	1	1	1	1	1	1	1	1	1
24	FILTER DRIER ASY	1174727	1	1	1	1	1	1	1	-	-	-
24	FILTER DRIER ASY	1174195	-	-	-	-	-	-	-	1	1	-
25	COMFORT ALERT	1177402	1	1	1	1	1	1	1	1	1	1
27	JACKET SOUND	1172015	1	1	1	1	-	-	-	-	-	-
27	JACKET SOUND	1172014	-	-	-	-	1	1	1	1	1	1
32	RACEWAY	1175919	1	1	1	1	1	1	1	1	1	1
33	LUG GROUND	1172300	1	1	1	1	1	1	1	1	1	1
34	HARNESS ASSY PLUG & PLAY	1173909	1	1	1	1	1	1	-	-	-	-
34	HARNESS ASSY PLUG & PLAY	1173920	-	-	-	-	-	-	1	-	-	-
34	HARNESS ASSY PLUG & PLAY	1173951	-	-	-	-	-	-	-	1	1	-
35	HTR CC WP 40W240V TCH-245	1173944	-	-	-	-	-	-	1	-	-	-
36	SWITCH TEMP DISC O85 C65	1173669	-	-	-	-	-	-	1	-	-	-
A	TOP COVER ASY	1183097	1	1	1	-	-	-	-	-	-	-

- continued on next page -

CXA6 PARTS LIST											
KEY NO.	DESCRIPTION	PART NO.	CXA618GKA100	CXA624GKA100	CXA630GKA100	CXA636GKA100	CXA642GKA100	CXA648GKA100	CXA649GKA100	CXA660GKA100	CXA661GKA100
A	TOP COVER ASY	1183317	-	-	-	1	1	1	1	1	1
B	NUT HEX 8-32 KNURL MTR MTG	1172217	4	4	4	4	4	4	4	4	4
C1	GRILLE INLET	1178628	1	1	-	-	-	-	-	-	-
C1	GRILLE INLET	1178724	-	-	1	-	-	-	-	-	-
C1	GRILLE INLET	1178629	-	-	-	1	-	-	-	-	-
C1	GRILLE INLET	1178579	-	-	-	-	1	1	1	-	-
C1	GRILLE INLET	1178698	-	-	-	-	-	-	-	1	1
C2	GRILLE INLET	1178631	2	2	-	-	-	-	-	-	-
C2	GRILLE INLET	1178726	-	-	2	-	-	-	-	-	-
C2	GRILLE INLET	1178630	-	-	-	2	-	-	-	-	-
C2	GRILLE INLET	1178580	-	-	-	-	2	2	2	-	-
C2	GRILLE INLET	1178699	-	-	-	-	-	-	-	2	2
C3	GRILLE INLET	1178627	1	1	-	-	-	-	-	-	-
C3	GRILLE INLET	1178728	-	-	1	-	-	-	-	-	-
C3	GRILLE INLET	1178613	-	-	-	1	-	-	-	-	-
C3	GRILLE INLET	1178581	-	-	-	-	1	1	1	-	-
C3	GRILLE INLET	1178700	-	-	-	-	-	-	-	1	1
D	BOX CONTROL	1172753	1	1	1	1	1	1	1	1	1
E	KIT CONTROL BOX COVER	1178730	1	-	-	-	-	-	-	-	-
E	KIT CONTROL BOX COVER	1178917	-	1	-	-	-	-	-	-	-
E	KIT CONTROL BOX COVER	1178918	-	-	1	-	-	-	-	-	-
E	KIT CONTROL BOX COVER	1178919	-	-	-	1	-	-	-	-	-
E	KIT CONTROL BOX COVER	1178920	-	-	-	-	1	-	-	-	-
E	KIT CONTROL BOX COVER	1178921	-	-	-	-	-	1	-	-	-
E	KIT CONTROL BOX COVER	1183630	-	-	-	-	-	-	1	-	-
E	KIT CONTROL BOX COVER	1178923	-	-	-	-	-	-	-	1	1
F	SVCE PNL ASSY	1178324	1	1	-	1	-	-	-	-	-
F	SVCE PNL ASSY	1178528	-	-	1	-	-	-	-	-	-
F	SVCE PNL ASSY	1178326	-	-	-	-	1	1	1	-	-
F	SVCE PNL ASSY	1178696	-	-	-	-	-	-	-	1	1
G	BASE PAN ASSY	1178308	1	1	1	-	-	-	-	-	-
G	BASE PAN ASSY	1178309	-	-	-	1	1	1	1	1	1
J	CORNER POST ASY	1178588	3	3	-	-	-	-	-	-	-
J	CORNER POST ASY	1178636	-	-	3	-	-	-	-	-	-
J	CORNER POST ASY	1178588	-	-	-	3	-	-	-	-	-
J	CORNER POST ASY	1178575	-	-	-	-	3	3	3	-	-
J	CORNER POST ASY	1178697	-	-	-	-	-	-	-	3	3
L	GUARD FAN	1178586	1	1	1	-	-	-	-	-	-
L	GUARD FAN	1178573	-	-	-	1	1	1	1	1	1
N	SUPPORT COIL	1174068	5	5	5	5	5	5	5	5	5
P	CLAMP CAPACITOR ROUND 2.0"D	1172734	1	1	1	1	1	1	1	-	-
P	CLAMP CAPACITOR ROUND 2.5"D	1172735	-	-	-	-	-	-	-	1	1
R	CAP ASY MOTOR	1183633	1	1	1	1	1	1	1	1	1
Parts Not Shown											
)	GROMMET	1171737	1	1	1	1	1	1	1	1	1
)	HARNESS ASSY COMF ALERT AC	1177426	1	1	1	1	1	1	1	1	1
)	FILTER DRIER ASSY	1174195	1	-	-	-	-	-	-	-	-
)	FILTER DRIER ASSY	1173955	-	1	1	1	1	1	1	-	-
)	FILTER DRIER ASSY	1173980	-	-	-	-	-	-	-	1	1
)	DRIER FILTER SUCT LINE 8.0 CI	1174194	1	1	1	1	-	-	-	-	-
)	DRIER FILTER SUCT LINE 15.0 CI	1174193	-	-	-	-	1	1	1	1	1
)	CAP SERVICE KIT 11/16-20	1175650	1	1	1	1	1	1	1	1	1
)	CAP SERVICE KIT 15/16-20	1175651	1	1	1	1	-	-	-	-	-
)	CAP SERVICE KIT 1-1/16-20	1175652	-	-	-	-	1	1	1	1	1
)	PAINT TOUCH UP BALTIC GRY 1 PT	1178322	1	1	1	1	1	1	1	1	1
)	SCREW HEX HD 10AB X 3/8	1176782	14	14	14	14	14	14	14	14	14
)	SCREW HEX HEAD 12AB 5/8	1178281	4	4	4	4	4	4	4	4	4
)	SCREW HX HEAD 10AB 1/2	1178280	12	12	12	12	12	12	12	12	12

- continued on next page -

HXA6 PARTS LIST

KEY NO.	DESCRIPTION	PART NO.	HXA618GKA100	HXA624GKA100	HXA630GKA100	HXA636GKA100	HXA642GKA100	HXA648GKA100	HXA649GKA100	HXA660GKA100	HXA661GKA100
01	COMPRESSOR	ZP16K5EPFV130	1	-	-	-	-	-	-	-	-
01	COMPRESSOR	ZP20K5EPFV130	-	1	-	-	-	-	-	-	-
01	COMPRESSOR	ZP24K5EPFV130	-	-	1	-	-	-	-	-	-
01	COMPRESSOR	ZP29K5EPFV130	-	-	-	1	-	-	-	-	-
01	COMPRESSOR	ZP34K5EPFV130	-	-	-	-	1	-	-	-	-
01	COMPRESSOR	ZP38K5EPFV130	-	-	-	-	-	1	-	-	-
01	COMPRESSOR	ZP42K5EPFV130	-	-	-	-	-	-	1	-	-
01	COMPRESSOR	ZP44K5EPFV130	-	-	-	-	-	-	-	1	-
01	COMPRESSOR	ZP49K5EPFV130	-	-	-	-	-	-	-	-	1
02	MTR CND 1/230 1/12 820	1183631	1	-	-	-	-	-	-	-	-
02	MTR CND 1/230 1/10 1100	1177913	-	1	1	-	-	-	-	-	-
02	MTR CND 1/230 1/12 820	1179379	-	-	-	1	-	-	-	-	-
02	MTR CND 1/230 1/5	1177593	-	-	-	-	1	-	-	-	-
02	MTR CND 1/230 1/4	1177473	-	-	-	-	-	1	1	1	1
03	FAN C 24" 3B 1/2" 15 INT	1173721	1	-	-	-	-	-	-	-	-
03	FAN C 24" 3B 1/2" 18 INT	1172715	-	1	1	-	-	-	-	-	-
03	FAN C 26" 3B 1/2" 16 INT	1174940	-	-	-	1	-	-	-	-	-
03	FAN C 26" 3B 1/2" 21 INT	1173661	-	-	-	-	1	-	-	-	-
03	FAN C 26" 3B 1/2" 24 INT	1172716	-	-	-	-	-	1	1	1	1
04	CONTACTOR 1P 30A 24V W/SHUNT	1172472	1	1	1	1	1	1	1	-	-
04	CONTACTOR 1P 40A 24V	1176763	-	-	-	-	-	-	-	1	1
05	CAP RN RD 370V 3+30	1172090	1	-	-	-	-	-	-	-	-
05	CAP RN RD 370V 5+35	1172110	-	1	-	-	-	-	-	-	-
05	CAP RN RD 370V 5+40	1172147	-	-	1	-	-	-	-	-	-
05	CAP RN RD 370V 3+45	1172092	-	-	-	1	-	-	-	-	-
05	CAP RN RD 370V 5+45	1172124	-	-	-	-	1	1	-	-	-
05	CAP RN RD 370V 5+70	1172163	-	-	-	-	-	1	-	-	-
05	CONTACTOR 1P 40A	1176763	-	-	-	-	-	-	-	1	1
06	COIL ASY COND	1183632	1	-	-	-	-	-	-	-	-
06	COIL ASY COND	1183623	-	1	-	-	-	-	-	-	-
06	COIL ASY COND	1183358	-	-	1	-	-	-	-	-	-
06	COIL ASY COND	1183624	-	-	-	1	-	-	-	-	-
06	COIL ASY COND	1183625	-	-	-	-	1	-	-	-	-
06	COIL ASY COND	1179157	-	-	-	-	-	1	-	-	-
06	COIL ASY COND	1183626	-	-	-	-	-	1	-	-	-
06	COIL ASY COND	1183627	-	-	-	-	-	-	-	1	1
07	VALVE SVC PARK SUC 12S-12S	1172726	1	1	1	-	-	-	-	-	-
07	VALVE SVC PARK SUC 14S-14S	1172727	-	-	-	1	1	1	1	1	1
08	VALVE SVC PARK LIQ 06S-06S	1172792	1	1	1	1	1	1	1	1	1
09	PLUG COMPRESSOR	1173921	1	1	1	1	-	-	-	-	-
09	PLUG COMPRESSOR	1174743	-	-	-	-	1	-	-	-	-
09	PLUG COMP WIRE (SM) 12GAx58"	1174686	-	-	-	-	-	1	1	1	1
10	GROMMET COMPRESSOR 1.62"DIA	1171270	4	4	4	4	4	4	4	4	4
11	BOLT SHLDR COMP. MTG,	1173630	4	4	4	4	4	4	4	4	4
21	CONTROL 2 SPD FAN	1183095	1	1	1	1	1	1	1	1	1
24	FILTER DRIER ASY	1174727	1	1	1	1	1	1	1	-	-
24	FILTER DRIER ASY	1174195	-	-	-	-	-	-	-	1	1
25	COMFORT ALERT	1177402	1	1	1	1	1	1	1	1	1
27	JACKET SOUND	1172015	1	1	1	1	-	-	-	-	-
27	JACKET SOUND	1172014	-	-	-	-	1	1	1	1	1
32	RACEWAY	1175919	1	1	1	1	1	1	1	1	1
33	LUG GROUND	1172300	1	1	1	1	1	1	1	1	1
34	HARNESS ASSY PLUG & PLAY	1173909	1	1	1	1	1	1	-	-	-
34	HARNESS ASSY PLUG & PLAY	1173920	-	-	-	-	-	-	1	-	-
34	HARNESS ASSY PLUG & PLAY	1173951	-	-	-	-	-	-	-	1	1
35	HTR CC WP 40W240V TCH-245	1173944	-	-	-	-	-	1	-	-	-
36	SWITCH TEMP DISC O85 C65	1173669	-	-	-	-	-	1	-	-	-

- continued on next page -

HX A6 PARTS LIST											
KEY NO.	DESCRIPTION	PART NO.	HXA618GKA100	HXA624GKA100	HXA630GKA100	HXA636GKA100	HXA642GKA100	HXA648GKA100	HXA649GKA100	HXA660GKA100	HXA661GKA100
A	TOP COVER ASY	1177914	1	1	1	-	-	-	-	-	-
A	TOP COVER ASY	1178327	-	-	-	1	1	1	1	1	1
B	NUT HEX 8-32 KNURL MTR MTG	1172217	4	4	4	4	4	4	4	4	4
C1	GRILLE INLET	1177419	1	1	-	-	-	-	-	-	-
C1	GRILLE INLET	1176706	-	-	1	-	-	-	-	-	-
C1	GRILLE INLET	1177492	-	-	-	1	-	-	-	-	-
C1	GRILLE INLET	1177491	-	-	-	-	1	1	1	-	-
C1	GRILLE INLET	1178807	-	-	-	-	-	-	-	1	1
C2	GRILLE INLET	1177969	2	2	-	-	-	-	-	-	-
C2	GRILLE INLET	1178057	-	-	2	-	-	-	-	-	-
C2	GRILLE INLET	1176701	-	-	-	2	-	-	-	-	-
C2	GRILLE INLET	1176702	-	-	-	-	2	2	2	-	-
C2	GRILLE INLET	1175799	-	-	-	-	-	-	-	2	2
C3	GRILLE INLET	1177972	1	1	-	-	-	-	-	-	-
C3	GRILLE INLET	1178060	-	-	1	-	-	-	-	-	-
C3	GRILLE INLET	1177495	-	-	-	1	-	-	-	-	-
C3	GRILLE INLET	1177494	-	-	-	-	1	1	1	-	-
C3	GRILLE INLET	1178808	-	-	-	-	-	-	-	1	1
D	BOX CONTROL	1172753	1	1	1	1	1	1	1	1	1
E	KIT CONTROL BOX COVER	1178730	1	-	-	-	-	-	-	-	-
E	KIT CONTROL BOX COVER	1178917	-	1	-	-	-	-	-	-	-
E	KIT CONTROL BOX COVER	1178918	-	-	1	-	-	-	-	-	-
E	KIT CONTROL BOX COVER	1178919	-	-	-	1	-	-	-	-	-
E	KIT CONTROL BOX COVER	1178920	-	-	-	-	1	-	-	-	-
E	KIT CONTROL BOX COVER	1178921	-	-	-	-	-	1	-	-	-
E	KIT CONTROL BOX COVER	1183630	-	-	-	-	-	-	1	-	-
E	KIT CONTROL BOX COVER	1178923	-	-	-	-	-	-	-	1	1
F	SVCE PNL ASSY	1178324	1	1	-	1	-	-	-	-	-
F	SVCE PNL ASSY	1178528	-	-	1	-	-	-	-	-	-
F	SVCE PNL ASSY	1178326	-	-	-	-	1	1	1	-	-
F	SVCE PNL ASSY	1178696	-	-	-	-	-	-	-	1	1
G	BASE PAN ASSY	1178308	1	1	1	-	-	-	-	-	-
G	BASE PAN ASSY	1178309	-	-	-	1	1	1	1	1	1
J	CORNER POST ASY	1178312	3	3	-	3	-	-	-	-	-
J	CORNER POST ASY	1178529	-	-	3	-	-	-	-	-	-
J	CORNER POST ASY	1178314	-	-	-	-	3	3	3	-	-
J	CORNER POST ASY	1178805	-	-	-	-	-	-	-	3	3
L	GUARD FAN	1177893	1	1	1	-	-	-	-	-	-
L	GUARD FAN	1174032	-	-	-	1	1	1	1	1	1
N	SUPPORT COIL	1174068	5	5	5	5	5	5	5	5	5
P	CLAMP CAPACITOR ROUND 2.0"D	1172734	1	1	1	1	1	1	1	-	-
P	CLAMP CAPACITOR ROUND 2.5"D	1172735	-	-	-	-	-	-	-	1	1
R	CAP ASY MOTOR	1183637	1	1	1	1	1	1	1	1	1
Parts Not Shown											
)	GROMMET	1171737	1	1	1	1	1	1	1	1	1
)	HARNESS ASSY COMF ALERT AC	1177426	1	1	1	1	1	1	1	1	1
)	FILTER DRIER ASSY	1174195	1	-	-	-	-	-	-	-	-
)	FILTER DRIER ASSY	1173955	-	1	1	1	1	1	1	-	-
)	FILTER DRIER ASSY	1173980	-	-	-	-	-	-	-	1	1
)	DRIER FILTER SUCT LINE 8.0 CI	1174194	1	1	1	1	-	-	-	-	-
)	DRIER FILTER SUCT LINE 15.0 CI	1174193	-	-	-	-	1	1	1	1	1
)	CAP SERVICE KIT 11/16-20	1175650	1	1	1	1	1	1	1	1	1
)	CAP SERVICE KIT 15/16-20	1175651	1	1	1	1	-	-	-	-	-
)	CAP SERVICE KIT 1-1/16-20	1175652	-	-	-	-	1	1	1	1	1
)	PAINT TOUCH UP BALTIC GR Y 1 PT	1178322	1	1	1	1	1	1	1	1	1
)	SCREW HEX HD 10AB X 3/8	1176782	14	14	14	14	14	14	14	14	14
)	SCREW HEX HEAD 12AB 5/8	1178281	4	4	4	4	4	4	4	4	4
)	SCREW HX HEAD 10AB 1/2	1178280	12	12	12	12	12	12	12	12	12

- continued on next page -

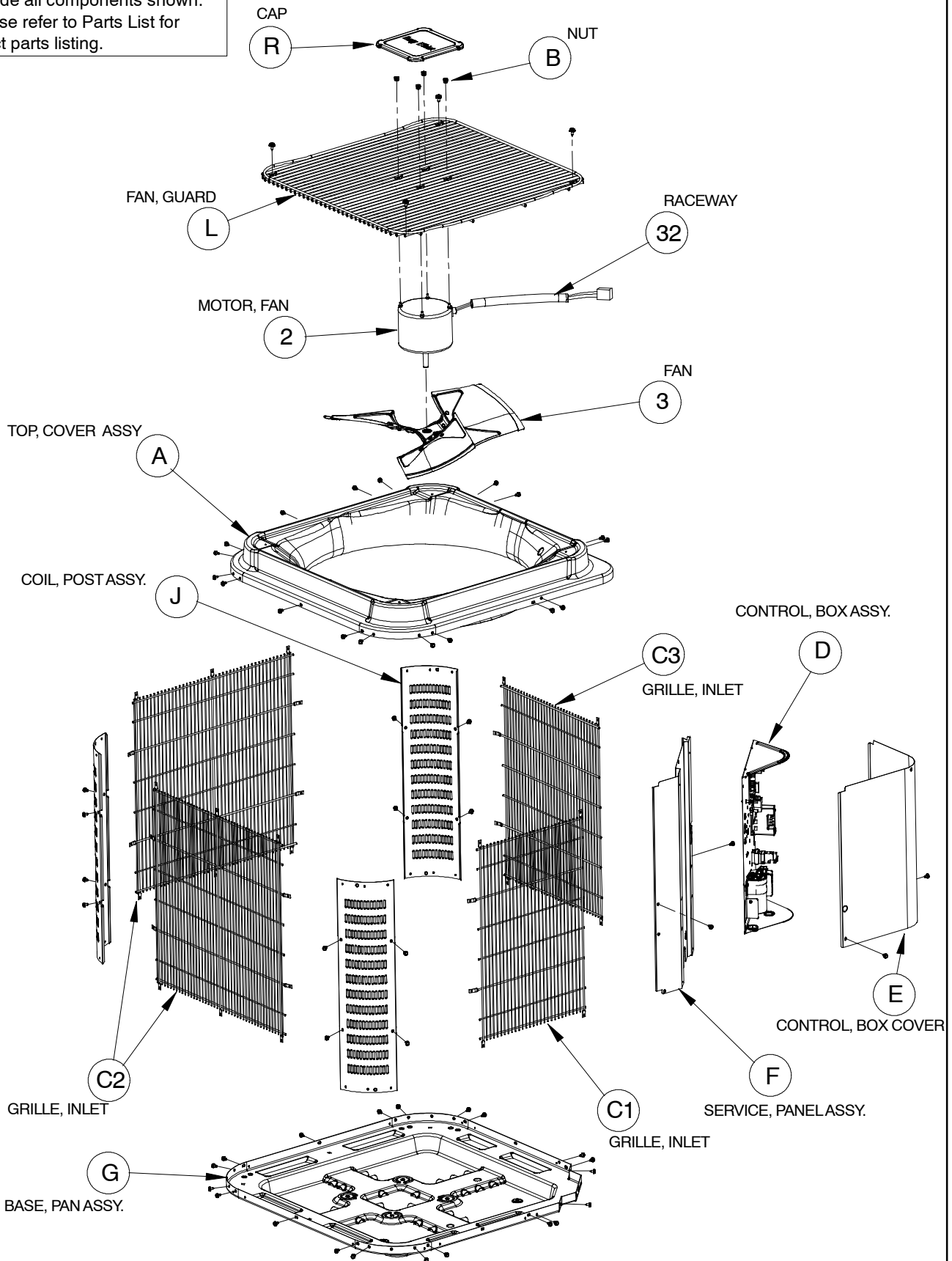
TXA6 PARTS LIST

KEY NO.	DESCRIPTION	PART NO.	TXA618GKA100	TXA624GKA100	TXA630GKA100	TXA636GKA100	TXA642GKA100	TXA648GKA100	TXA649GKA100	TXA660GKA100	TXA661GKA100
01	COMPRESSOR	ZP16K5EPFV130	1	-	-	-	-	-	-	-	-
01	COMPRESSOR	ZP20K5EPFV130	-	1	-	-	-	-	-	-	-
01	COMPRESSOR	ZP24K5EPFV130	-	-	1	-	-	-	-	-	-
01	COMPRESSOR	ZP29K5EPFV130	-	-	-	1	-	-	-	-	-
01	COMPRESSOR	ZP34K5EPFV130	-	-	-	-	1	-	-	-	-
01	COMPRESSOR	ZP38K5EPFV130	-	-	-	-	-	1	-	-	-
01	COMPRESSOR	ZP42K5EPFV130	-	-	-	-	-	-	1	-	-
01	COMPRESSOR	ZP44K5EPFV130	-	-	-	-	-	-	-	1	-
01	COMPRESSOR	ZP49K5EPFV130	-	-	-	-	-	-	-	-	1
02	MTR CND 1/230 1/12 820	1183631	1	-	-	-	-	-	-	-	-
02	MTR CND 1/230 1/10 1100	1177913	-	1	1	-	-	-	-	-	-
02	MTR CND 1/230 1/12 820	1179379	-	-	-	1	-	-	-	-	-
02	MTR CND 1/230 1/5	1177593	-	-	-	-	1	-	-	-	-
02	MTR CND 1/230 1/4	1177473	-	-	-	-	-	1	1	1	1
03	FAN C 24" 3B 1/2" 15 INT	1173721	1	-	-	-	-	-	-	-	-
03	FAN C 24" 3B 1/2" 18 INT	1172715	-	1	1	-	-	-	-	-	-
03	FAN C 26" 3B 1/2" 16 INT	1174940	-	-	-	1	-	-	-	-	-
03	FAN C 26" 3B 1/2" 21 INT	1173661	-	-	-	-	1	-	-	-	-
03	FAN C 26" 3B 1/2" 24 INT	1172716	-	-	-	-	-	1	1	1	1
04	CONTACTOR 1P 30A 24V W/SHUNT	1172472	1	1	1	1	1	1	1	-	-
04	CONTACTOR 1P 40A 24V	1176763	-	-	-	-	-	-	-	1	1
05	CAP RN RD 370V 3+30	1172090	1	-	-	-	-	-	-	-	-
05	CAP RN RD 370V 5+35	1172110	-	1	-	-	-	-	-	-	-
05	CAP RN RD 370V 5+40	1172147	-	-	1	-	-	-	-	-	-
05	CAP RN RD 370V 3+45	1172092	-	-	-	1	-	-	-	-	-
05	CAP RN RD 370V 5+45	1172124	-	-	-	-	1	1	-	-	-
05	CAP RN RD 370V 5+70	1172163	-	-	-	-	-	1	-	-	-
05	CONTACTOR 1P 40A	1176763	-	-	-	-	-	-	-	1	1
06	COIL ASY COND	1183632	1	-	-	-	-	-	-	-	-
06	COIL ASY COND	1183623	-	1	-	-	-	-	-	-	-
06	COIL ASY COND	1183358	-	-	1	-	-	-	-	-	-
06	COIL ASY COND	1183624	-	-	-	1	-	-	-	-	-
06	COIL ASY COND	1183625	-	-	-	-	1	-	-	-	-
06	COIL ASY COND	1179157	-	-	-	-	-	1	-	-	-
06	COIL ASY COND	1183626	-	-	-	-	-	1	-	-	-
06	COIL ASY COND	1183627	-	-	-	-	-	-	-	1	1
07	VALVE SVC PARK SUC 12S-12S	1172726	1	1	1	-	-	-	-	-	-
07	VALVE SVC PARK SUC 14S-14S	1172727	-	-	-	1	1	1	1	1	1
08	VALVE SVC PARK LIQ 06S-06S	1172792	1	1	1	1	1	1	1	1	1
09	PLUG COMPRESSOR	1173921	1	1	1	1	-	-	-	-	-
09	PLUG COMPRESSOR	1174743	-	-	-	-	1	-	-	-	-
09	PLUG COMP WIRE (SM) 12GAx58"	1174686	-	-	-	-	-	1	1	1	1
10	GROMMET COMPRESSOR 1.62"DIA	1171270	4	4	4	4	4	4	4	4	4
11	BOLT SHLDR COMP. MTG,	1173630	4	4	4	4	4	4	4	4	4
21	CONTROL 2 SPD FAN	1183095	1	1	1	1	1	1	1	1	1
24	FILTER DRIER ASY	1174727	1	1	1	1	1	1	1	-	-
24	FILTER DRIER ASY	1174195	-	-	-	-	-	-	-	1	1
25	COMFORT ALERT	1177402	1	1	1	1	1	1	1	1	1
27	JACKET SOUND	1172015	1	1	1	1	-	-	-	-	-
27	JACKET SOUND	1172014	-	-	-	-	1	1	1	1	1
32	RACEWAY	1175919	1	1	1	1	1	1	1	1	1
33	LUG GROUND	1172300	1	1	1	1	1	1	1	1	1
34	HARNESS ASSY PLUG & PLAY	1173909	1	1	1	1	1	1	-	-	-
34	HARNESS ASSY PLUG & PLAY	1173920	-	-	-	-	-	-	1	-	-
34	HARNESS ASSY PLUG & PLAY	1173951	-	-	-	-	-	-	-	1	1
35	HTR CC WP 40W240V TCH-245	1173944	-	-	-	-	-	1	-	-	-
36	SWITCH TEMP DISC O85 C65	1173669	-	-	-	-	-	1	-	-	-
A	TOP COVER ASY	1183097	1	1	1	-	-	-	-	-	-

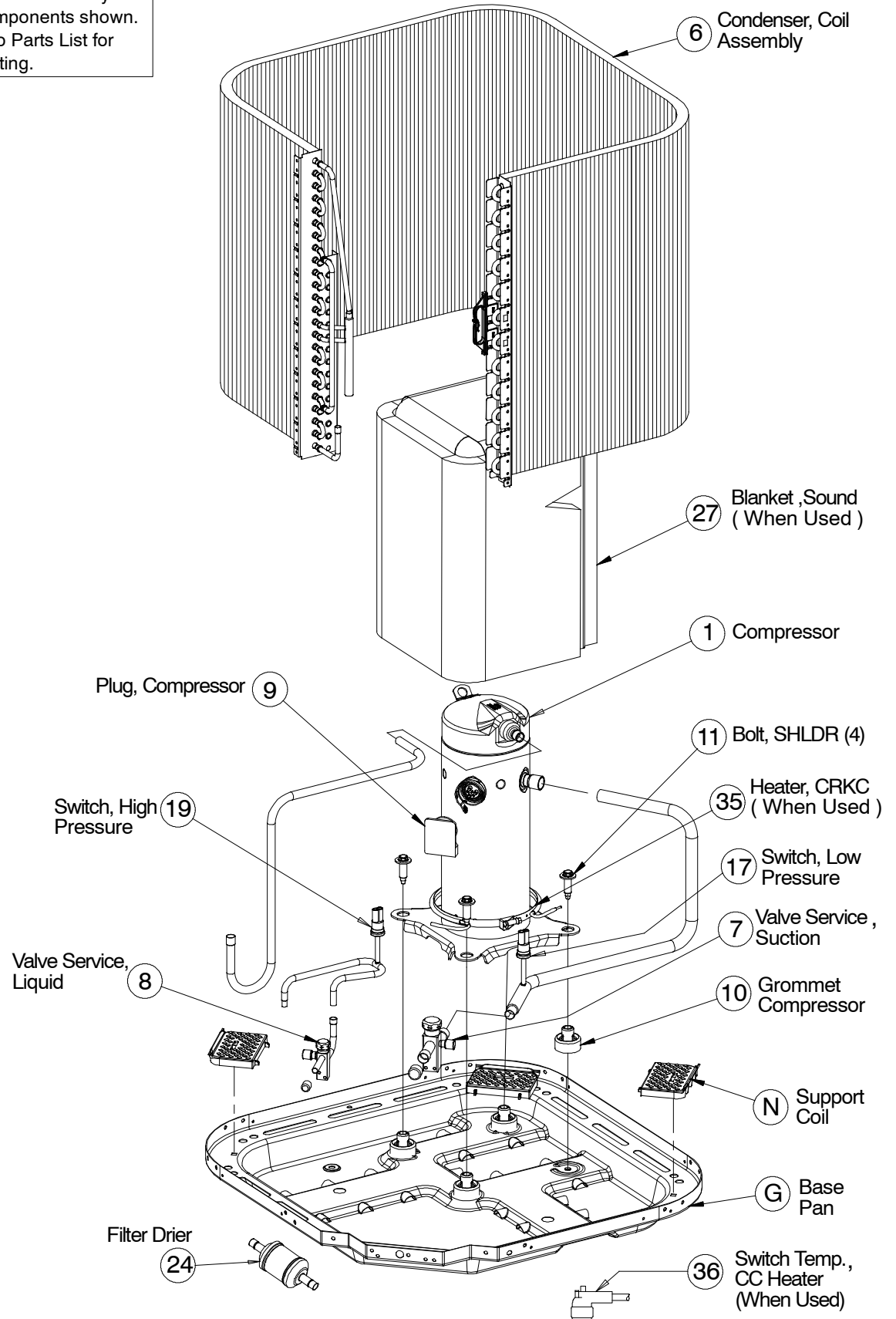
- continued on next page -

TXA6 PARTS LIST											
KEY NO.	DESCRIPTION	PART NO.	TXA618GKA100	TXA624GKA100	TXA630GKA100	TXA636GKA100	TXA642GKA100	TXA648GKA100	TXA649GKA100	TXA660GKA100	TXA661GKA100
A	TOP COVER ASY	1183317	-	-	-	1	1	1	1	1	1
B	NUT HEX 8-32 KNURL MTR MTG	1172217	4	4	4	4	4	4	4	4	4
C1	GRILLE INLET	1177422	1	1							
C1	GRILLE INLET	1176722	-	-	1						
C1	GRILLE INLET	1177573	-	-	-	1					
C1	GRILLE INLET	1177575	-	-			1	1	1		
C1	GRILLE INLET	1178809	-	-	-	-	-	-	-	1	1
C2	GRILLE INLET	1177970	2	2	-	-	-	-	-	-	-
C2	GRILLE INLET	1178058	-	-	2	-	-	-	-	-	-
C2	GRILLE INLET	1176716	-	-	-	2	-	-	-	-	-
C2	GRILLE INLET	1176717	-	-	-	-	2	2	2	-	-
C2	GRILLE INLET	1176450	-	-	-	-	-	-	-	2	2
C3	GRILLE INLET	1177973	1	1	-	-	-	-	-	-	-
C3	GRILLE INLET	1178061	-	-	1	-	-	-	-	-	-
C3	GRILLE INLET	1177576	-	-	-	1	-	-	-	-	-
C3	GRILLE INLET	1177578	-	-	-	-	1	1	1	-	-
C3	GRILLE INLET	1178810	-	-	-	-	-	-	-	1	1
D	BOX CONTROL	1172753	1	1	1	1	1	1	1	1	1
E	KIT CONTROL BOX COVER	1178730	1	-	-	-	-	-	-	-	-
E	KIT CONTROL BOX COVER	1178917	-	1	-	-	-	-	-	-	-
E	KIT CONTROL BOX COVER	1178918	-	-	1	-	-	-	-	-	-
E	KIT CONTROL BOX COVER	1178919	-	-	-	1	-	-	-	-	-
E	KIT CONTROL BOX COVER	1178920	-	-	-	-	1	-	-	-	-
E	KIT CONTROL BOX COVER	1178921	-	-	-	-	-	1	-	-	-
E	KIT CONTROL BOX COVER	1183630	-	-	-	-	-	-	1	-	-
E	KIT CONTROL BOX COVER	1178923	-	-	-	-	-	-	-	1	1
F	SVCE PNL ASSY	1178324	1	1	-	1	-	-	-	-	-
F	SVCE PNL ASSY	1178528	-	-	1	-	-	-	-	-	-
F	SVCE PNL ASSY	1178326	-	-	-	-	1	1	1	-	-
F	SVCE PNL ASSY	1178696	-	-	-	-	-	-	-	1	1
G	BASE PAN ASSY	1178308	1	1	1	-	-	-	-	-	-
G	BASE PAN ASSY	1178309	-	-	-	1	1	1	1	1	1
J	CORNER POST ASY	1178547	3	3		3	-	-	-	-	-
J	CORNER POST ASY	1178637	-	-	3	-	-	-	-	-	-
J	CORNER POST ASY	1178583	-	-	-	-	3	3	3	-	-
J	CORNER POST ASY	1178806	-	-	-	-	-	-	-	3	3
L	GUARD FAN	1177894	1	1	1	-	-	-	-	-	-
L	GUARD FAN	1177572	-	-	-	1	1	1	1	1	1
N	SUPPORT COIL	1174068	5	5	5	5	5	5	5	5	5
P	CLAMP CAPACITOR ROUND 2.0"D	1172734	1	1	1	1	1	1	1	-	-
P	CLAMP CAPACITOR ROUND 2.5"D	1172735	-	-	-	-	-	-	-	1	1
R	CAP ASY MOTOR	1183638	1	1	1	1	1	1	1	1	1
Parts Not Shown											
)	GROMMET	1171737	1	1	1	1	1	1	1	1	1
)	HARNESS ASSY COMF ALERT AC	1177426	1	1	1	1	1	1	1	1	1
)	FILTER DRIER ASSY	1174195	1	-	-	-	-	-	-	-	-
)	FILTER DRIER ASSY	1173955	-	1	1	1	1	1	1	-	-
)	FILTER DRIER ASSY	1173980	-	-	-	-	-	-	-	1	1
)	DRIER FILTER SUCT LINE 8.0 CI	1174194	1	1	1	1	-	-	-	-	-
)	DRIER FILTER SUCT LINE 15.0 CI	1174193	-	-	-	-	1	1	1	1	1
)	CAP SERVICE KIT 11/16-20	1175650	1	1	1	1	1	1	1	1	1
)	CAP SERVICE KIT 15/16-20	1175651	1	1	1	1	-	-	-	-	-
)	CAP SERVICE KIT 1-1/16-20	1175652	-	-	-	-	1	1	1	1	1
)	PAINT TOUCH UP BALTIC GRAY 1 PT	1178322	1	1	1	1	1	1	1	1	1
)	SCREW HEX HD 10AB X 3/8	1176782	14	14	14	14	14	14	14	14	14
)	SCREW HEX HEAD 12AB 5/8	1178281	4	4	4	4	4	4	4	4	4
)	SCREW HX HEAD 10AB 1/2	1178280	12	12	12	12	12	12	12	12	12

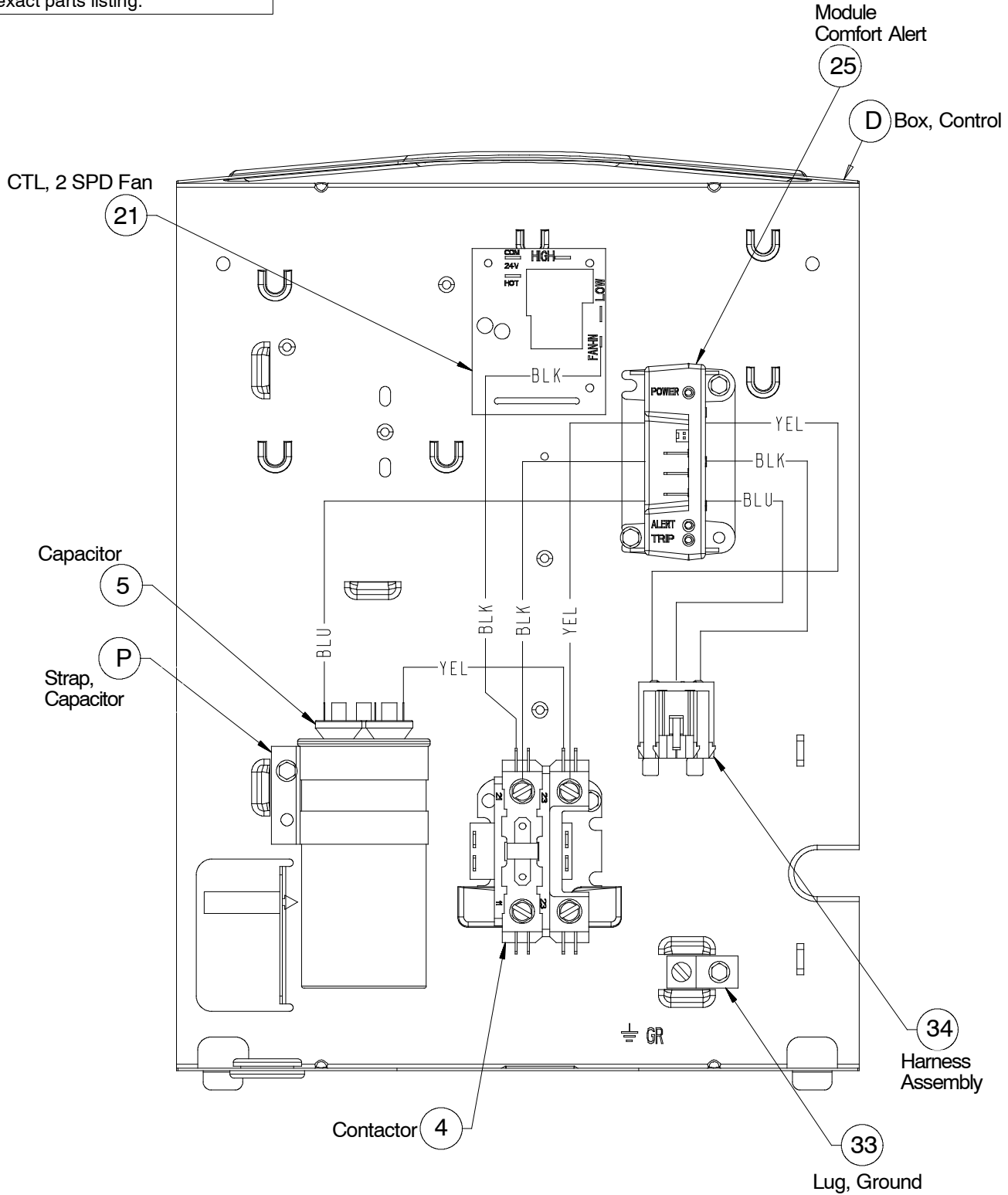
NOTE: This illustration is for reference only. Your unit may differ in appearance or may not include all components shown. Please refer to Parts List for exact parts listing.



NOTE: This illustration is for reference only. Your unit may differ in appearance or may not include all components shown. Please refer to Parts List for exact parts listing.



NOTE: This illustration is for reference only. Your unit may differ in appearance or may not include all components shown. Please refer to Parts List for exact parts listing.



COOLING Multiplying Factors for other Indoor Combinations

(C,H,T)XA618

Indoor Model	Furnace Model	CAPACITY (MBh)	Power (AMPS)	Indoor Model	Furnace Model	CAPACITY (MBh)	Power (AMPS)
*EN(A,D)4X19*17**	-	1.00	1.00	EHD4X24A**	*9MPV050	1.02	0.94
EA*4X18*14A*	*8MV*0701412**	1.00	0.94	EHD4X24A**	*9MPV075	1.02	0.94
EA*4X18*14A*	*8MX*0451408**	1.00	0.94	EHD4X24A**	*9MV*1002116A**	1.00	0.92
EA*4X18*14A*	*9MV*0401410A**	0.99	0.95	EHD4X24A**	*9MVVX040	1.02	0.94
EA*4X18*14A*	*9MX*0401410A**	0.98	0.94	EHD4X24A**	*9MVVX060	1.02	0.94
EA*4X18*14A*	-	0.99	1.04	EHD4X24A**	OLV098A12A	1.02	0.94
EA*4X24*14A*	*8MV*0701412**	1.00	0.92	EHD4X24A**	OMV098J12A	1.02	0.94
EA*4X24*14A*	*8MX*0451408**	1.00	0.92	EHD4X24A**	-	1.02	1.07
EA*4X24*14A*	*9MV*0401410A**	1.00	0.94	EHD4X30A**	*9MA*0601714A**	1.00	0.92
EA*4X24*14A*	*9MX*0401410A**	1.00	0.94	EHD4X30A**	*9MA*0602120A**	1.04	0.96
EA*4X24*14A*	-	1.00	1.03	EHD4X30A**	*9MA*0801714A**	1.00	0.92
EA*4X24*17A*	*8MV*0701412**	1.00	0.92	EHD4X30A**	*9MV*0401410A**	1.00	0.94
EA*4X24*17A*	*8MV*0901716**	1.00	0.92	EHD4X30A**	*9MV*0601714A**	1.00	0.92
EA*4X24*17A*	*8MX*0451408**	1.00	0.92	EHD4X30A**	*9MV*0801716A**	1.00	0.91
EA*4X24*17A*	*9MA*0601714A**	1.00	0.92	EHD4X30A**	*9MV*1202422A**	1.00	0.91
EA*4X24*17A*	*9MA*0801714A**	1.00	0.92	EHD4X30A**	*9MX*0401410A**	1.00	0.94
EA*4X24*17A*	*9MV*0401410A**	1.00	0.94	EHD4X30A**	*9MV*1002116A**	1.00	0.91
EA*4X24*17A*	*9MV*0601714A**	1.00	0.92	EMA4X24D**	-	1.02	1.07
EA*4X24*17A*	*9MV*0801716A**	1.00	0.92	EN(A,D)4X18*14**	*8MV*0701412**	1.00	0.92
EA*4X24*17A*	*9MX*0401410A**	1.00	0.94	EN(A,D)4X18*14**	*8MX*0451408**	1.00	0.92
EA*4X24*17A*	-	1.00	1.03	EN(A,D)4X18*14**	*9MV*0401410A**	1.00	0.96
EA*4X30*14A*	*9MV*0401410A**	1.00	0.94	EN(A,D)4X18*14**	*9MX*0401410A**	0.99	0.95
EA*4X30*14A*	*9MX*0401410A**	1.00	0.94	EN(A,D)4X18*14**	-	1.00	1.00
EA*4X30*14A*	-	1.00	1.03	EN(A,D)4X19*17**	*8MV*0701412**	1.00	0.92
EA*4X30*17A*	*9MA*0601714A**	1.00	0.92	EN(A,D)4X19*17**	*8MV*0901716**	1.00	0.92
EA*4X30*17A*	*9MA*0801714A**	1.00	0.92	EN(A,D)4X19*17**	*8MX*0451408**	1.00	0.92
EA*4X30*17A*	*9MV*0401410A**	1.00	0.94	EN(A,D)4X19*17**	*9MA*0601714A**	1.00	0.92
EA*4X30*17A*	*9MV*0601714A**	1.00	0.92	EN(A,D)4X19*17**	*9MA*0801714A**	1.00	0.92
EA*4X30*17A*	*9MV*0801716A**	1.00	0.92	EN(A,D)4X19*17**	*9MV*0401410A**	1.00	0.94
EA*4X30*17A*	*9MX*0401410A**	1.00	0.94	EN(A,D)4X19*17**	*9MV*0601714A**	1.00	0.92
EA*4X30*17A*	-	1.00	1.03	EN(A,D)4X19*17**	*9MV*0801716A**	1.00	0.91
ED*4X18B**	*9MV*0401410A**	0.99	0.95	EN(A,D)4X19*17**	*9MX*0401410A**	1.00	0.94
ED*4X18B**	*9MX*0401410A**	0.98	0.94	EN(A,D)4X19*17**	MV08B15**B*	1.00	0.92
ED*4X18B**	MV08B15**B*	1.00	0.92	EN(A,D)4X19*17**	NOMV106D12*	1.00	0.92

COOLING Multiplying Factors for other Indoor Combinations

Indoor Model	Furnace Model	CAPACITY (MBh)	Power (AMPS)	Indoor Model	Furnace Model	CAPACITY (MBh)	Power (AMPS)
ED*4X18B**	*8MPV050	1.00	0.96	EN(A,D)4X19*17**	*8MPV050	1.00	0.92
ED*4X18B**	-	1.00	1.04	EN(A,D)4X19*17**	*9MPV050	1.02	0.94
ED*4X24B**	*9MV*0401410A**	1.00	0.94	EN(A,D)4X19*17**	*9MVX040	1.02	0.94
ED*4X24B**	*9MX*0401410A**	1.00	0.94	EN(A,D)4X19*17**	OLV098A12A	1.02	0.94
ED*4X24B**	MV08B15**B*	1.02	0.94	EN(A,D)4X19*17**	OMV098J12A	1.02	0.94
ED*4X24B**	*8MPV050	1.02	0.94	EN(A,D)4X24*14**	*8MV*0701412**	1.02	0.94
ED*4X24B**	-	1.02	1.07	EN(A,D)4X24*14**	*8MX*0451408**	1.02	0.94
ED*4X24F**	*9MA*0601714A**	1.00	0.92	EN(A,D)4X24*14**	*9MV*0401410A**	1.00	0.94
ED*4X24F**	*9MA*0602120A**	1.03	0.95	EN(A,D)4X24*14**	*9MX*0401410A**	1.00	0.94
ED*4X24F**	*9MA*0801714A**	1.00	0.92	EN(A,D)4X24*14**	-	1.02	1.02
ED*4X24F**	*9MV*0601714A**	1.00	0.92	EN(A,D)4X24*17**	*8MV*0701412**	1.02	0.94
ED*4X24F**	*9MV*0801716A**	1.00	0.92	EN(A,D)4X24*17**	*8MV*0901716**	1.02	0.94
ED*4X24F**	*9MPV050	1.02	0.94	EN(A,D)4X24*17**	*8MX*0451408**	1.02	0.94
ED*4X24F**	*9MPV075	1.02	0.94	EN(A,D)4X24*17**	*9MA*0601714A**	1.00	0.92
ED*4X24F**	*9MV*1002116A**	1.00	0.92	EN(A,D)4X24*17**	*9MA*0801714A**	1.00	0.92
ED*4X24F**	*9MVX040	1.02	0.94	EN(A,D)4X24*17**	*9MV*0401410A**	1.00	0.94
ED*4X24F**	*9MVX060	1.02	0.94	EN(A,D)4X24*17**	*9MV*0601714A**	1.00	0.92
ED*4X24F**	OLV098A12A	1.02	0.94	EN(A,D)4X24*17**	*9MV*0801716A**	1.00	0.92
ED*4X24F**	OMV098J12A	1.02	0.94	EN(A,D)4X24*17**	*9MX*0401410A**	1.00	0.94
ED*4X24F**	-	1.02	1.07	EN(A,D)4X24*17**	MV08B15**B*	1.02	0.94
ED*4X30B**	*8MV*0701412**	1.02	0.94	EN(A,D)4X24*17**	NOMV106D12*	1.02	0.94
ED*4X30B**	*8MX*0451408**	1.02	0.94	EN(A,D)4X24*17**	*8MPV050	1.02	0.94
ED*4X30B**	*9MV*0401410A**	1.00	0.94	EN(A,D)4X24*17**	*9MPV050	1.02	0.94
ED*4X30B**	*9MX*0401410A**	1.00	0.94	EN(A,D)4X24*17**	*9MVX040	1.02	0.94
ED*4X30B**	MV08B15**B*	1.02	0.94	EN(A,D)4X24*17**	OLV098A12A	1.02	0.94
ED*4X30B**	*8MPV050	1.02	0.94	EN(A,D)4X24*17**	OMV098J12A	1.02	0.94
ED*4X30B**	-	1.02	1.02	EN(A,D)4X24*17**	-	1.02	1.02
ED*4X30F**	*8MV*0901716**	1.02	0.94	EN(A,D)4X30*14**	*9MV*0401410A**	1.00	0.94
ED*4X30F**	*9MA*0601714A**	1.00	0.92	EN(A,D)4X30*14**	*9MX*0401410A**	1.00	0.94
ED*4X30F**	*9MA*0602120A**	1.03	0.95	EN(A,D)4X30*17**	*9MA*0601714A**	1.00	0.92
ED*4X30F**	*9MA*0801714A**	1.00	0.92	EN(A,D)4X30*17**	*9MA*0801714A**	1.00	0.92
ED*4X30F**	*9MV*0601714A**	1.00	0.92	EN(A,D)4X30*17**	*9MV*0401410A**	1.00	0.94
ED*4X30F**	*9MV*0801716A**	1.00	0.92	EN(A,D)4X30*17**	*9MV*0601714A**	1.00	0.92
ED*4X30F**	MV08B15**B*	1.02	0.94	EN(A,D)4X30*17**	*9MV*0801716A**	1.00	0.92
ED*4X30F**	MV12F19**B*	1.02	0.94	ENH4X24*17**	*8MV*0701412**	1.02	0.94

COOLING Multiplying Factors for other Indoor Combinations

Indoor Model	Furnace Model	CAPACITY (MBh)	Power (AMPS)	Indoor Model	Furnace Model	CAPACITY (MBh)	Power (AMPS)
ED*4X30F**	NOMV106D12*	1.02	0.94	ENH4X24*17**	*8MV*0901716**	1.02	0.94
ED*4X30F**	*8MPV050	1.02	0.94	ENH4X24*17**	*8MX*0451408**	1.02	0.94
ED*4X30F**	*8MPV075	1.02	0.94	ENH4X24*17**	*9MA*0601714A**	1.00	0.92
ED*4X30F**	*9MPV050	1.02	0.94	ENH4X24*17**	*9MA*0801714A**	1.00	0.92
ED*4X30F**	*9MPV075	1.02	0.94	ENH4X24*17**	*9MV*0401410A**	1.00	0.94
ED*4X30F**	*9MV*1002116A**	1.00	0.92	ENH4X24*17**	*9MV*0601714A**	1.00	0.92
ED*4X30F**	*9MVX040	1.02	0.94	ENH4X24*17**	*9MV*0801716A**	1.00	0.92
ED*4X30F**	*9MVX060	1.02	0.94	ENH4X24*17**	*9MV*1202422A**	1.00	0.92
ED*4X30F**	-	1.02	1.02	ENH4X24*17**	*9MX*0401410A**	1.00	0.94
ED*4X36B**	*8MV*0701412**	1.03	0.95	ENH4X24*17**	MV08B15**B*	1.02	0.94
ED*4X36B**	*8MX*0451408**	1.03	0.95	ENH4X24*17**	NOMV106D12*	1.02	0.94
ED*4X36B**	MV08B15**B*	1.03	0.95	ENH4X24*17**	*8MPV050	1.02	0.94
ED*4X36B**	*8MPV050	1.03	0.95	ENH4X24*17**	*9MPV050	1.02	0.94
ED*4X36B**	-	1.03	1.03	ENH4X24*17**	*9MPV075	1.02	0.94
ED*4X36F**	*8MV*0901716**	1.03	0.95	ENH4X24*17**	*9MPV075	1.02	0.94
ED*4X36F**	MV08B15**B*	1.03	0.95	ENH4X24*17**	*9MPV075	1.02	0.94
ED*4X36F**	MV12F19**B*	1.03	0.95	ENH4X24*17**	*9MV*1002116A**	1.00	0.92
ED*4X36F**	NOMV106D12*	1.03	0.95	ENH4X24*17**	*9MVX040	1.02	0.98
ED*4X36F**	*8MPV050	1.03	0.95	ENH4X24*17**	*9MVX040	1.02	0.98
ED*4X36F**	*8MPV075	1.03	0.95	ENH4X24*17**	*9MVX060	1.02	0.94
ED*4X36F**	*9MPV050	1.03	0.95	ENH4X24*17**	*9MVX060	1.02	0.94
ED*4X36F**	*9MPV075	1.03	0.95	ENH4X24*17**	OLV098A12A	1.02	0.94
ED*4X36F**	*9MVX040	1.03	0.95	ENH4X24*17**	OMV098J12A	1.02	0.94
ED*4X36F**	*9MVX060	1.03	0.95	ENH4X24*17**	-	1.02	1.02
ED*4X36F**	-	1.03	1.03	ENH4X30*17**	*9MA*0601714A**	1.00	0.92
ED*4X36J**	*8MV*1102120**	1.03	0.95	ENH4X30*17**	*9MA*0801714A**	1.00	0.92
ED*4X36J**	MV12F19**B*	1.03	0.95	ENH4X30*17**	*9MV*0401410A**	1.00	0.94
ED*4X36J**	*8MPV075	1.03	0.95	ENH4X30*17**	*9MV*0601714A**	1.00	0.92
ED*4X36J**	*8MPV100	1.03	0.95	ENH4X30*17**	*9MV*0801716A**	1.00	0.92
ED*4X36J**	*8MPV125	1.03	0.95	ENH4X30*17**	*9MV*1202422A**	1.00	0.91
ED*4X36J**	*9MPV050	1.03	0.95	ENH4X30*17**	*9MV*0401410A**	1.00	0.94
ED*4X36J**	*9MPV075	1.03	0.95	ENH4X30*17**	*9MV*1002116A**	1.00	0.92
ED*4X36J**	*9MPV100	1.03	0.95	FEA4X18**A*	-	1.00	0.96
ED*4X36J**	*9MVX040	1.03	0.95	FEA4X24**A*	-	1.02	0.94
ED*4X36J**	*9MVX060	1.03	0.95	FEA4X30**A*	-	1.02	0.94

COOLING Multiplying Factors for other Indoor Combinations

Indoor Model	Furnace Model	CAPACITY (MBh)	Power (AMPS)	Indoor Model	Furnace Model	CAPACITY (MBh)	Power (AMPS)
ED*4X36J**	*9MVX080	1.03	0.95	FEA4X36**A*	-	1.02	0.94
ED*4X36J**	-	1.03	1.03	FEM4P18**A*	-	1.00	0.92
EHD4X24A**	*8MV*0701412**	1.02	0.94	FEM4P24**A*	-	1.02	0.94
EHD4X24A**	*8MV*0901716**	1.02	0.94	FEM4P30**A*	-	1.03	0.99
EHD4X24A**	*8MX*0451408**	1.02	0.94	FEM4X18****	-	1.00	0.92
EHD4X24A**	*9MA*0601714A**	1.00	0.92	FEM4X24****	-	1.02	0.94
EHD4X24A**	*9MA*0602120A**	1.04	0.96	FS(M,U)4P18**A*	-	1.00	0.96
EHD4X24A**	*9MA*0801714A**	1.00	0.92	FS(M,U)4P24**A*	-	1.02	0.98
EHD4X24A**	*9MV*0401410A**	1.00	0.94	FS(M,U)4X18****	-	1.00	1.04
EHD4X24A**	*9MV*0601714A**	1.00	0.92	FS(M,U)4X24****	-	1.02	1.07
EHD4X24A**	*9MV*0801716A**	1.00	0.92	FSA4X18**A*	-	1.00	1.04
EHD4X24A**	*9MV*1202422A**	1.00	0.92	FSA4X24**A*	-	1.02	1.07
EHD4X24A**	*9MX*0401410A**	1.00	0.94	FVM4X24****	-	1.02	0.94
EHD4X24A**	MV08B15**B*	1.02	0.94	FXM4X18**A*	-	1.02	0.94
EHD4X24A**	NOMV106D12*	1.02	0.94	FXM4X24**A*	-	1.02	0.94
EHD4X24A**	*8MPV050	1.02	0.94	FXM4X30**A*	-	1.02	0.94

COOLING Multiplying Factors for other Indoor Combinations

Indoor Model	Furnace Model	CAPACITY (MBh)	Power (AMPS)	Indoor Model	Furnace Model	CAPACITY (MBh)	Power (AMPS)
(C,H,T)XA624							
*EN(A,D)4X31*17**	-	1.00	1.00	EHD4X30A**	*9MVX100	1.00	0.92
EA*4X24*14A*	*8MV*0701412**	1.02	0.94	EHD4X30A**	OLV098A12A	1.00	0.92
EA*4X24*14A*	*8MX*0451408**	1.02	0.96	EHD4X30A**	OMV098J12A	1.00	0.92
EA*4X24*14A*	*9MV*0401410A**	1.01	0.97	EHD4X30A**	OMV112K14A	1.00	0.92
EA*4X24*14A*	*9MX*0401410A**	1.02	1.02	EHD4X30A**	-	1.00	1.04
EA*4X24*14A*	-	1.02	1.02	EHD4X36A**	*9MA*0601714A**	1.02	0.94
EA*4X24*17A*	*8MV*0701412**	1.02	0.94	EHD4X36A**	*9MA*0602120A**	1.03	0.92
EA*4X24*17A*	*8MV*0901716**	1.02	0.94	EHD4X36A**	*9MA*0801714A**	1.02	0.92
EA*4X24*17A*	*8MX*0451408**	1.02	0.94	EHD4X36A**	*9MA*0802120A**	1.04	0.91
EA*4X24*17A*	*9MA*0601714A**	1.02	0.96	EHD4X36A**	*9MA*1002122A**	1.05	0.92
EA*4X24*17A*	*9MA*0801714A**	1.01	0.93	EHD4X36A**	*9MA*1202422A**	1.02	0.92
EA*4X24*17A*	*9MV*0401410A**	1.02	0.98	EHD4X36A**	*9MV*0401410A**	1.02	0.96
EA*4X24*17A*	*9MV*0601714A**	1.02	0.94	EHD4X36A**	*9MV*0601714A**	1.02	0.94
EA*4X24*17A*	*9MV*0801716A**	1.02	0.94	EHD4X36A**	*9MV*0801716A**	1.02	0.92
EA*4X24*17A*	*9MX*0401410A**	1.02	1.02	EHD4X36A**	*9MV*0802120A**	1.05	0.92

COOLING Multiplying Factors for other Indoor Combinations

Indoor Model	Furnace Model	Indoor Model	Power (AMPS)	CAPACITY (MBh)	Power (AMPS)	Indoor Model	Furnace Model	CAPACITY (MBh)	Power (AMPS)
EA*4X24*17A*	*9MX*0601714A**	EHD4X36A**	0.94	1.02	0.94	EHD4X36A**	*9MV*1002120A**	1.06	0.93
EA*4X24*17A*	-	EHD4X36A**	1.02	1.02	1.02	EHD4X36A**	*9MV*1202422A**	1.02	0.92
EA*4X30*14A*	*8MV*0701412**	EHD4X36A**	0.94	1.02	0.94	EHD4X36A**	*9MX*0401410A**	1.02	0.98
EA*4X30*14A*	*8MX*0451408**	EHD4X36A**	0.94	1.02	0.94	EHD4X36A**	*9MX*0601714A**	1.02	0.92
EA*4X30*14A*	*9MV*0401410A**	EHD4X36A**	0.98	1.02	0.98	EHD4X36A**	*9MA*1002120A**	1.02	0.92
EA*4X30*14A*	*9MX*0401410A**	EHD4X36A**	1.02	1.02	1.02	EHD4X36A**	*9MV*1002116A**	1.02	0.92
EA*4X30*14A*	-	EMA4X24D**	1.02	1.02	1.02	EMA4X24D**	-	0.99	1.03
EA*4X30*17A*	*8MV*0701412**	EN(A,D)4X24*14**	0.94	1.02	0.94	EN(A,D)4X24*14**	*8MV*0701412**	0.99	0.92
EA*4X30*17A*	*8MV*0901716**	EN(A,D)4X24*14**	0.94	1.02	0.94	EN(A,D)4X24*14**	*8MX*0451408**	0.99	0.95
EA*4X30*17A*	*8MX*0451408**	EN(A,D)4X24*14**	0.94	1.02	0.94	EN(A,D)4X24*14**	*9MV*0401410A**	1.01	0.97
EA*4X30*17A*	*9MA*0601714A**	EN(A,D)4X24*14**	0.94	1.02	0.94	EN(A,D)4X24*14**	*9MX*0401410A**	1.02	1.02
EA*4X30*17A*	*9MA*0801714A**	EN(A,D)4X24*14**	0.94	1.02	0.94	EN(A,D)4X24*14**	-	0.99	1.03
EA*4X30*17A*	*9MV*0401410A**	EN(A,D)4X24*17**	0.98	1.02	0.98	EN(A,D)4X24*17**	*8MV*0701412**	0.99	0.92
EA*4X30*17A*	*9MV*0601714A**	EN(A,D)4X24*17**	0.94	1.02	0.94	EN(A,D)4X24*17**	*8MV*0901716**	0.99	0.92
EA*4X30*17A*	*9MV*0801716A**	EN(A,D)4X24*17**	0.94	1.02	0.94	EN(A,D)4X24*17**	*8MX*0451408**	0.99	0.95
EA*4X30*17A*	*9MX*0401410A**	EN(A,D)4X24*17**	1.02	1.02	1.02	EN(A,D)4X24*17**	*9MA*0601714A**	1.02	0.96
EA*4X30*17A*	*9MX*0601714A**	EN(A,D)4X24*17**	0.94	1.02	0.94	EN(A,D)4X24*17**	*9MA*0801714A**	1.01	0.95
EA*4X30*17A*	-	EN(A,D)4X24*17**	1.02	1.02	1.02	EN(A,D)4X24*17**	*9MV*0401410A**	1.01	0.97
EA*4X36*14A*	*9MV*0401410A**	EN(A,D)4X24*17**	0.98	1.02	0.98	EN(A,D)4X24*17**	*9MV*0601714A**	1.01	0.95
EA*4X36*14A*	*9MX*0401410A**	EN(A,D)4X24*17**	1.02	1.02	1.02	EN(A,D)4X24*17**	*9MV*0801716A**	1.02	0.94
EA*4X36*14A*	-	EN(A,D)4X24*17**	1.00	1.02	1.00	EN(A,D)4X24*17**	*9MX*0401410A**	1.02	1.02
EA*4X36*17A*	*9MA*0601714A**	EN(A,D)4X24*17**	0.94	1.02	0.94	EN(A,D)4X24*17**	*9MX*0601714A**	1.02	0.96
EA*4X36*17A*	*9MA*0801714A**	EN(A,D)4X24*17**	0.94	1.02	0.94	EN(A,D)4X24*17**	MV08B15**B*	0.99	0.92
EA*4X36*17A*	*9MV*0401410A**	EN(A,D)4X24*17**	0.98	1.02	0.98	EN(A,D)4X24*17**	NOMV106D12*	0.99	0.95
EA*4X36*17A*	*9MV*0601714A**	EN(A,D)4X24*17**	0.94	1.02	0.94	EN(A,D)4X24*17**	*8MPV050	0.99	0.95
EA*4X36*17A*	*9MV*0801716A**	EN(A,D)4X24*17**	0.94	1.02	0.94	EN(A,D)4X24*17**	*9MPV050	0.98	0.94
EA*4X36*17A*	*9MX*0401410A**	EN(A,D)4X24*17**	0.98	1.02	0.98	EN(A,D)4X24*17**	*9MVX040	0.99	0.95
EA*4X36*17A*	*9MX*0601714A**	EN(A,D)4X24*17**	1.00	1.02	1.00	EN(A,D)4X24*17**	OLV098A12A	0.99	0.95
EA*4X36*21A*	-	EN(A,D)4X24*17**	1.00	1.02	1.00	EN(A,D)4X24*17**	OMV098J12A	0.99	0.95
EA*4X36*21A*	*9MA*0601714A**	EN(A,D)4X24*17**	0.94	1.02	0.94	EN(A,D)4X24*17**	OMV112K14A	0.99	0.92
EA*4X36*21A*	*9MA*0602120A**	EN(A,D)4X24*17**	0.91	1.03	0.91	EN(A,D)4X24*17**	-	0.99	1.03
EA*4X36*21A*	*9MA*0801714A**	EN(A,D)4X30*14**	0.94	1.02	0.94	EN(A,D)4X30*14**	*8MV*0701412**	1.00	0.92
EA*4X36*21A*	*9MA*0802120A**	EN(A,D)4X30*14**	0.91	1.03	0.91	EN(A,D)4X30*14**	*8MX*0451408**	1.00	0.92
EA*4X36*21A*	*9MA*1002122A**	EN(A,D)4X30*14**	0.91	1.03	0.91	EN(A,D)4X30*14**	*9MV*0401410A**	1.02	0.98
EA*4X36*21A*	*9MV*0601714A**	EN(A,D)4X30*14**	0.94	1.02	0.94	EN(A,D)4X30*14**	*9MX*0401410A**	1.02	1.02

COOLING Multiplying Factors for other Indoor Combinations

Indoor Model	Furnace Model	CAPACITY (MBh)	Power (AMPS)	Indoor Model	Furnace Model	CAPACITY (MBh)	Power (AMPS)
EA*4X36*21A*	*9MV*0801716A**	1.02	0.92	EN(A,D)4X30*14**	-	1.00	1.00
EA*4X36*21A*	*9MX*0601714A**	1.02	0.94	EN(A,D)4X30*17**	*8MV*0701412**	1.00	0.92
EA*4X36*21A*	*9MA*1002120A**	1.02	0.94	EN(A,D)4X30*17**	*8MV*0901716**	1.00	0.92
EA*4X36*21A*	*9MV*1002116A**	1.02	0.92	EN(A,D)4X30*17**	*8MX*0451408**	1.00	0.92
EA*4X36*21A*	-	1.02	1.00	EN(A,D)4X30*17**	*9MA*0601714A**	1.02	0.94
ED*4X24B**	*9MV*0401410A**	1.01	0.97	EN(A,D)4X30*17**	*9MA*0801714A**	1.02	0.94
ED*4X24B**	*9MX*0401410A**	1.02	1.02	EN(A,D)4X30*17**	*9MV*0401410A**	1.02	0.98
ED*4X24B**	MV08B15**B*	0.99	0.92	EN(A,D)4X30*17**	*9MV*0601714A**	1.02	0.94
ED*4X24B**	*8MPV050	0.99	0.95	EN(A,D)4X30*17**	*9MV*0801716A**	1.02	0.94
ED*4X24B**	-	0.99	1.03	EN(A,D)4X30*17**	*9MX*0401410A**	1.02	1.02
ED*4X24F**	*9MA*0601714A**	1.02	0.96	EN(A,D)4X30*17**	*9MX*0601714A**	1.02	0.94
ED*4X24F**	*9MA*0602120A**	1.02	0.94	EN(A,D)4X30*17**	MV08B15**B*	1.00	0.92
ED*4X24F**	*9MA*0801714A**	1.01	0.93	EN(A,D)4X30*17**	NOMV106D12*	1.00	0.92
ED*4X24F**	*9MA*0802120A**	1.02	0.94	EN(A,D)4X30*17**	*8MPV050	1.00	0.96
ED*4X24F**	*9MA*1002122A**	1.03	0.95	EN(A,D)4X30*17**	*9MPV050	1.00	0.96
ED*4X24F**	*9MV*0601714A**	1.02	0.94	EN(A,D)4X30*17**	*9MPV075	1.01	0.97
ED*4X24F**	*9MV*0801716A**	1.02	0.94	EN(A,D)4X30*17**	*9MVX040	1.00	0.96
ED*4X24F**	*9MV*0802120A**	1.02	0.94	EN(A,D)4X30*17**	*9MVX060	1.02	0.98
ED*4X24F**	*9MV*1002120A**	1.03	0.95	EN(A,D)4X30*17**	OLV098A12A	1.00	0.92
ED*4X24F**	*9MX*0601714A**	1.02	0.94	EN(A,D)4X30*17**	OMV098J12A	1.00	0.92
ED*4X24F**	MV12F19**B*	0.99	0.92	EN(A,D)4X30*17**	OMV112K14A	1.00	0.92
ED*4X24F**	*8MPV075	0.99	0.95	EN(A,D)4X30*17**	-	1.00	1.00
ED*4X24F**	*9MA*1002120A**	1.02	0.94	EN(A,D)4X31*17**	*8MV*0701412**	1.00	0.92
ED*4X24F**	*9MPV050	0.99	0.95	EN(A,D)4X31*17**	*8MV*0901716**	1.00	0.92
ED*4X24F**	*9MPV075	0.99	0.95	EN(A,D)4X31*17**	*8MX*0451408**	1.00	0.92
ED*4X24F**	*9MV*1002116A**	1.02	0.94	EN(A,D)4X31*17**	*9MA*0601714A**	1.02	0.94
ED*4X24F**	*9MVX040	0.99	0.95	EN(A,D)4X31*17**	*9MA*0801714A**	1.02	0.92
ED*4X24F**	*9MVX060	0.99	0.95	EN(A,D)4X31*17**	*9MV*0401410A**	1.02	0.96
ED*4X24F**	OLV098A12A	0.99	0.92	EN(A,D)4X31*17**	*9MV*0601714A**	1.02	0.92
ED*4X24F**	OMV098J12A	0.99	0.92	EN(A,D)4X31*17**	*9MV*0801716A**	1.02	0.92
ED*4X24F**	OMV112K14A	0.99	0.92	EN(A,D)4X31*17**	*9MX*0401410A**	1.02	0.98
ED*4X24F**	-	0.99	1.03	EN(A,D)4X31*17**	*9MX*0601714A**	1.02	0.92
ED*4X30B**	*9MV*0401410A**	1.02	0.98	EN(A,D)4X31*17**	MV08B15**B*	1.00	0.92
ED*4X30B**	*9MX*0401410A**	1.02	1.02	EN(A,D)4X31*17**	NOMV106D12*	1.00	0.92
ED*4X30B**	MV08B15**B*	1.00	0.92	EN(A,D)4X31*17**	*8MPV050	1.00	0.92

COOLING Multiplying Factors for other Indoor Combinations

Indoor Model	Furnace Model	CAPACITY (MBh)	Power (AMPS)	Indoor Model	Furnace Model	CAPACITY (MBh)	Power (AMPS)
ED*4X30B**	*8MPV050	1.00	0.96	EN(A,D)4X31*17**	*9MPV050	1.02	0.94
ED*4X30B**	-	1.00	1.04	EN(A,D)4X31*17**	*9MPV075	1.02	0.94
ED*4X30F**	*9MA*0601714A**	1.02	0.94	EN(A,D)4X31*17**	*9MVX040	1.02	0.94
ED*4X30F**	*9MA*0602120A**	1.02	0.94	EN(A,D)4X31*17**	*9MVX060	1.02	0.94
ED*4X30F**	*9MA*0801714A**	1.02	0.94	EN(A,D)4X31*17**	OLV098A12A	1.02	0.94
ED*4X30F**	*9MA*0802120A**	1.03	0.91	EN(A,D)4X31*17**	OMV098J12A	1.02	0.94
ED*4X30F**	*9MA*1002122A**	1.03	0.91	EN(A,D)4X31*17**	OMV112K14A	1.02	0.94
ED*4X30F**	*9MV*0601714A**	1.02	0.94	EN(A,D)4X36*21**	*9MA*0601714A**	1.02	0.94
ED*4X30F**	*9MV*0801716A**	1.02	0.94	EN(A,D)4X36*21**	*9MA*0602120A**	1.02	0.94
ED*4X30F**	*9MV*0802120A**	1.03	0.91	EN(A,D)4X36*21**	*9MA*0801714A**	1.02	0.94
ED*4X30F**	*9MV*1002120A**	1.03	0.92	EN(A,D)4X36*21**	*9MA*0802120A**	1.03	0.91
ED*4X30F**	*9MX*0601714A**	1.02	0.94	EN(A,D)4X36*21**	*9MA*1002122A**	1.03	0.91
ED*4X30F**	MV12F19**B*	1.00	0.92	EN(A,D)4X36*21**	*9MV*0601714A**	1.02	0.94
ED*4X30F**	*8MPV075	1.00	0.96	EN(A,D)4X36*21**	*9MV*0801716A**	1.02	0.94
ED*4X30F**	*9MA*1002120A**	1.02	0.94	EN(A,D)4X36*21**	*9MV*0802120A**	1.03	0.91
ED*4X30F**	*9MPV050	1.00	0.96	EN(A,D)4X36*21**	*9MV*1002120A**	1.03	0.92
ED*4X30F**	*9MPV075	1.00	0.96	EN(A,D)4X36*21**	*9MX*0601714A**	1.02	0.94
ED*4X30F**	*9MV*1002116A**	1.02	0.94	EN(A,D)4X36*21**	*9MA*1002120A**	1.02	0.94
ED*4X30F**	*9MVX040	1.00	0.96	EN(A,D)4X36*21**	*9MV*1002116A**	1.02	0.94
ED*4X30F**	*9MVX060	1.00	0.96	EN(A,D,W)4X36*17**	*9MA*0601714A**	1.02	0.94
ED*4X30F**	OLV098A12A	1.00	0.92	EN(A,D,W)4X36*17**	*9MA*0801714A**	1.02	0.94
ED*4X30F**	OMV098J12A	1.00	0.92	EN(A,D,W)4X36*17**	*9MV*0401410A**	1.02	0.98
ED*4X30F**	OMV112K14A	0.99	0.92	EN(A,D,W)4X36*17**	*9MV*0601714A**	1.02	0.94
ED*4X30F**	-	1.00	1.04	EN(A,D,W)4X36*17**	*9MV*0801716A**	1.02	0.94
ED*4X36B**	*8MV*0701412**	1.01	0.93	EN(A,D,W)4X36*17**	*9MX*0401410A**	1.02	1.02
ED*4X36B**	*9MV*0401410A**	1.02	0.98	EN(A,D,W)4X36*17**	*9MX*0601714A**	1.02	0.94
ED*4X36B**	*9MX*0401410A**	1.02	1.02	EN(A,D,W)4X36*17**	-	1.02	1.02
ED*4X36B**	MV08B15**B*	1.01	0.93	ENH4X24*17**	*8MV*0701412**	0.99	0.92
ED*4X36B**	*8MPV050	1.01	0.97	ENH4X24*17**	*8MV*0901716**	0.99	0.92
ED*4X36B**	-	1.01	1.01	ENH4X24*17**	*8MV*1102120**	0.99	0.92
ED*4X36F**	*8MV*0901716**	1.01	0.93	ENH4X24*17**	*8MV*1352422**	0.99	0.92
ED*4X36F**	*8MX*0701716**	1.01	0.97	ENH4X24*17**	*8MX*0451408**	0.99	0.95
ED*4X36F**	*9MA*0601714A**	1.02	0.94	ENH4X24*17**	*9MA*0601714A**	1.02	0.96
ED*4X36F**	*9MA*0602120A**	1.03	0.95	ENH4X24*17**	*9MA*0801714A**	1.01	0.95
ED*4X36F**	*9MA*0801714A**	1.02	0.94	ENH4X24*17**	*9MA*1202422A**	1.02	0.94

COOLING Multiplying Factors for other Indoor Combinations

Indoor Model	Furnace Model	CAPACITY (MBh)	Power (AMPS)	Indoor Model	Furnace Model	CAPACITY (MBh)	Power (AMPS)
ED*4X36F**	*9MA*0802120A**	1.03	0.91	ENH4X24*17**	*9MV*0401410A**	1.01	0.97
ED*4X36F**	*9MA*1002122A**	1.03	0.91	ENH4X24*17**	*9MV*0601714A**	1.01	0.95
ED*4X36F**	*9MV*0601714A**	1.02	0.94	ENH4X24*17**	*9MV*0801716A**	1.02	0.94
ED*4X36F**	*9MV*0801716A**	1.02	0.94	ENH4X24*17**	*9MV*1202422A**	1.02	0.94
ED*4X36F**	*9MV*0802120A**	1.03	0.91	ENH4X24*17**	*9MX*0401410A**	1.02	1.02
ED*4X36F**	*9MV*1002120A**	1.04	0.91	ENH4X24*17**	*9MX*0601714A**	1.02	0.96
ED*4X36F**	*9MX*0601714A**	1.02	0.94	ENH4X24*17**	MV08B15**B*	0.99	0.92
ED*4X36F**	MV08B15**B*	1.01	0.93	ENH4X24*17**	MV12F19**B*	0.99	0.92
ED*4X36F**	MV12F19**B*	1.01	0.93	ENH4X24*17**	NOMV106D12*	0.99	0.95
ED*4X36F**	NOMV106D12*	1.01	0.93	ENH4X24*17**	*8MPV050	0.99	0.95
ED*4X36F**	*8MPV050	1.01	0.97	ENH4X24*17**	*8MPV075	0.99	0.95
ED*4X36F**	*8MPV075	1.01	0.93	ENH4X24*17**	*8MPV100	0.99	0.92
ED*4X36F**	*9MA*1002120A**	1.02	0.94	ENH4X24*17**	*8MPV125	0.99	0.92
ED*4X36F**	*9MPV050	1.01	0.97	ENH4X24*17**	*9MA*1002120A**	1.02	0.96
ED*4X36F**	*9MPV075	1.01	0.97	ENH4X24*17**	*9MPV050	0.98	0.94
ED*4X36F**	*9MV*1002116A**	1.02	0.94	ENH4X24*17**	*9MPV050	0.98	0.94
ED*4X36F**	*9MVX040	1.01	0.97	ENH4X24*17**	*9MPV075	0.99	0.95
ED*4X36F**	*9MVX060	1.01	0.97	ENH4X24*17**	*9MPV075	0.99	0.95
ED*4X36F**	-	1.01	1.01	ENH4X24*17**	*9MPV100	1.00	0.96
ED*4X36J**	*8MV*1102120**	1.01	0.93	ENH4X24*17**	*9MPV100	1.00	0.96
ED*4X36J**	*8MX*0902116**	1.01	0.93	ENH4X24*17**	*9MPV125	1.00	0.96
ED*4X36J**	*9MA*0602120A**	1.03	0.91	ENH4X24*17**	*9MPV125	1.00	0.96
ED*4X36J**	*9MA*0802120A**	1.03	0.91	ENH4X24*17**	*9MVX040	0.99	0.95
ED*4X36J**	*9MA*1002122A**	1.03	0.91	ENH4X24*17**	*9MVX040	0.99	0.95
ED*4X36J**	*9MA*1202422A**	1.02	0.92	ENH4X24*17**	*9MVX060	0.99	0.95
ED*4X36J**	*9MV*0802120A**	1.04	0.91	ENH4X24*17**	*9MVX060	0.99	0.95
ED*4X36J**	*9MV*1002120A**	1.05	0.92	ENH4X24*17**	*9MVX080	0.99	0.95
ED*4X36J**	*9MV*1202422A**	1.02	0.92	ENH4X24*17**	*9MVX080	0.99	0.95
ED*4X36J**	MV12F19**B*	1.01	0.93	ENH4X24*17**	*9MVX100	0.99	0.95
ED*4X36J**	*8MPV075	1.01	0.93	ENH4X24*17**	*9MVX100	0.99	0.95
ED*4X36J**	*8MPV100	1.01	0.93	ENH4X24*17**	OLV098A12A	0.99	0.95
ED*4X36J**	*8MPV125	1.01	0.93	ENH4X24*17**	OMV098J12A	0.99	0.95
ED*4X36J**	*9MA*1002120A**	1.02	0.94	ENH4X24*17**	OMV112K14A	0.99	0.92
ED*4X36J**	*9MPV050	1.01	0.97	ENH4X24*17**	-	0.99	1.03
ED*4X36J**	*9MPV075	1.01	0.97	ENH4X24*17**	-	1.02	1.02

COOLING Multiplying Factors for other Indoor Combinations

Indoor Model	Furnace Model	CAPACITY (MBh)	Power (AMPS)	Indoor Model	Furnace Model	CAPACITY (MBh)	Power (AMPS)
ED*4X36J**	*9MPV100	1.01	0.93	ENH4X30*17**	*8MV*0701412**	1.00	0.92
ED*4X36J**	*9MV*1002116A**	1.02	0.92	ENH4X30*17**	*8MV*0901716**	1.00	0.92
ED*4X36J**	*9MVX040	1.01	0.97	ENH4X30*17**	*8MV*1102120**	1.00	0.92
ED*4X36J**	*9MVX060	1.01	0.93	ENH4X30*17**	*8MV*1352422**	1.00	0.92
ED*4X36J**	*9MVX080	1.01	0.93	ENH4X30*17**	*8MX*0451408**	1.00	0.92
ED*4X36J**	-	1.01	1.01	ENH4X30*17**	*9MA*0601714A**	1.02	0.94
ED*4X42F**	*8MV*0901716**	1.02	0.94	ENH4X30*17**	*9MA*0801714A**	1.02	0.94
ED*4X42F**	*8MX*0701716**	1.02	0.94	ENH4X30*17**	*9MA*1202422A**	1.02	0.94
ED*4X42F**	MV08B15**B*	1.02	0.94	ENH4X30*17**	*9MV*0401410A**	1.02	0.98
ED*4X42F**	MV12F19**B*	1.02	0.94	ENH4X30*17**	*9MV*0601714A**	1.02	0.94
ED*4X42F**	NOMV106D12*	1.02	0.94	ENH4X30*17**	*9MV*0801716A**	1.02	0.94
ED*4X42F**	*8MPV050	1.02	0.98	ENH4X30*17**	*9MV*1202422A**	1.02	0.94
ED*4X42F**	*8MPV075	1.02	0.94	ENH4X30*17**	*9MX*0401410A**	1.02	1.02
ED*4X42F**	*9MPV050	1.02	0.94	ENH4X30*17**	*9MX*0601714A**	1.02	0.94
ED*4X42F**	*9MPV075	1.02	0.94	ENH4X30*17**	MV08B15**B*	1.00	0.92
ED*4X42F**	*9MVX040	1.02	0.94	ENH4X30*17**	MV12F19**B*	1.00	0.92
ED*4X42F**	*9MVX060	1.02	0.94	ENH4X30*17**	NOMV106D12*	1.00	0.92
ED*4X42F**	-	1.02	1.02	ENH4X30*17**	*8MPV050	1.00	0.96
ED*4X42J**	*8MV*1102120**	1.02	0.94	ENH4X30*17**	*8MPV075	1.00	0.92
ED*4X42J**	*8MX*0902116**	1.02	0.94	ENH4X30*17**	*8MPV100	1.00	0.92
ED*4X42J**	MV12F19**B*	1.02	0.94	ENH4X30*17**	*8MPV125	1.00	0.92
ED*4X42J**	*8MPV075	1.02	0.94	ENH4X30*17**	*9MA*1002120A**	1.02	0.94
ED*4X42J**	*8MPV100	1.02	0.87	ENH4X30*17**	*9MPV050	1.00	0.96
ED*4X42J**	*8MPV125	1.02	0.94	ENH4X30*17**	*9MPV050	1.00	0.96
ED*4X42J**	*9MPV050	1.02	0.94	ENH4X30*17**	*9MPV075	1.01	0.97
ED*4X42J**	*9MPV075	1.02	0.94	ENH4X30*17**	*9MPV075	1.01	0.97
ED*4X42J**	*9MPV100	1.02	0.94	ENH4X30*17**	*9MPV100	1.02	0.94
ED*4X42J**	*9MVX040	1.02	0.94	ENH4X30*17**	*9MPV100	1.02	0.94
ED*4X42J**	*9MVX060	1.02	0.94	ENH4X30*17**	*9MPV125	1.02	0.94
ED*4X42J**	*9MVX080	1.02	0.94	ENH4X30*17**	*9MPV125	1.02	0.94
ED*4X42J**	-	1.02	1.02	ENH4X30*17**	*9MV*1002116A**	1.02	0.94
ED*4X42L**	*8MV*1102120**	1.02	0.94	ENH4X30*17**	*9MVX040	1.00	0.96
ED*4X42L**	*8MV*1352422**	1.02	0.94	ENH4X30*17**	*9MVX040	1.00	0.96
ED*4X42L**	*8MX*0902116**	1.02	0.94	ENH4X30*17**	*9MVX060	1.00	0.96
ED*4X42L**	*8MPV100	1.02	0.94	ENH4X30*17**	*9MVX060	1.00	0.96

COOLING Multiplying Factors for other Indoor Combinations

Indoor Model	Furnace Model	CAPACITY (MBh)	Power (AMPS)	Indoor Model	Furnace Model	CAPACITY (MBh)	Power (AMPS)
ED*4X42L**	*8MPV125	1.02	0.94	ENH4X30*17**	*9MVX080	1.00	0.92
ED*4X42L**	*9MPV100	1.02	0.94	ENH4X30*17**	*9MVX080	1.00	0.92
ED*4X42L**	*9MPV125	1.02	0.94	ENH4X30*17**	*9MVX100	1.00	0.92
ED*4X42L**	*9MVX080	1.02	0.94	ENH4X30*17**	*9MVX100	1.00	0.92
ED*4X42L**	*9MVX100	1.02	0.94	ENH4X30*17**	OLV098A12A	1.00	0.92
ED*4X42L**	-	1.02	1.02	ENH4X30*17**	OMV098J12A	1.00	0.92
EHD4X24A**	*8MV*0701412**	0.99	0.92	ENH4X30*17**	OMV112K14A	1.00	0.92
EHD4X24A**	*8MV*0901716**	0.99	0.92	ENH4X30*17**	-	1.00	1.00
EHD4X24A**	*8MV*1102120**	0.99	0.92	ENH4X31*17**	*8MV*0701412**	1.00	0.92
EHD4X24A**	*8MV*1352422**	0.99	0.92	ENH4X31*17**	*8MV*0901716**	1.00	0.92
EHD4X24A**	*8MX*0451408**	0.99	0.92	ENH4X31*17**	*8MV*1102120**	1.00	0.92
EHD4X24A**	*9MA*0601714A**	1.02	0.96	ENH4X31*17**	*8MV*1352422**	1.00	0.92
EHD4X24A**	*9MA*0602120A**	1.03	0.95	ENH4X31*17**	*8MX*0451408**	1.00	0.92
EHD4X24A**	*9MA*0801714A**	1.02	0.94	ENH4X31*17**	*8MX*0902116**	1.04	0.96
EHD4X24A**	*9MA*0802120A**	1.03	0.95	ENH4X31*17**	*9MA*0601714A**	1.02	0.94
EHD4X24A**	*9MA*1002122A**	1.03	0.95	ENH4X31*17**	*9MA*0801714A**	1.02	0.92
EHD4X24A**	*9MA*1202422A**	1.02	0.94	ENH4X31*17**	*9MA*1202422A**	1.02	0.92
EHD4X24A**	*9MV*0401410A**	1.02	0.98	ENH4X31*17**	*9MV*0401410A**	1.02	0.96
EHD4X24A**	*9MV*0601714A**	1.02	0.96	ENH4X31*17**	*9MV*0601714A**	1.02	0.92
EHD4X24A**	*9MV*0801716A**	1.02	0.94	ENH4X31*17**	*9MV*0801716A**	1.02	0.92
EHD4X24A**	*9MV*0802120A**	1.02	0.94	ENH4X31*17**	*9MV*1202422A**	1.02	0.92
EHD4X24A**	*9MV*1002120A**	1.02	0.94	ENH4X31*17**	*9MX*0401410A**	1.02	0.98
EHD4X24A**	*9MV*1202422A**	1.02	0.94	ENH4X31*17**	*9MX*0601714A**	1.02	0.92
EHD4X24A**	*9MX*0401410A**	1.02	1.02	ENH4X31*17**	MV08B15**B*	1.00	0.92
EHD4X24A**	*9MX*0601714A**	1.02	0.94	ENH4X31*17**	MV12F19**B*	1.00	0.92
EHD4X24A**	MV08B15**B*	0.99	0.92	ENH4X31*17**	NOMV106D12*	1.00	0.92
EHD4X24A**	MV12F19**B*	0.99	0.92	ENH4X31*17**	*8MPV050	1.00	0.92
EHD4X24A**	NOMV106D12*	0.99	0.92	ENH4X31*17**	*8MPV075	1.00	0.92
EHD4X24A**	*8MPV050	0.99	0.95	ENH4X31*17**	*8MPV100	1.00	0.92
EHD4X24A**	*8MPV075	0.99	0.92	ENH4X31*17**	*8MPV125	1.00	0.92
EHD4X24A**	*8MPV100	0.99	0.92	ENH4X31*17**	*9MA*1002120A**	1.02	0.92
EHD4X24A**	*8MPV125	0.99	0.92	ENH4X31*17**	*9MPV050	1.02	0.94
EHD4X24A**	*9MA*1002120A**	1.02	0.94	ENH4X31*17**	*9MPV050	1.02	0.94
EHD4X24A**	*9MPV050	0.99	0.95	ENH4X31*17**	*9MPV075	1.02	0.94
EHD4X24A**	*9MPV075	0.99	0.95	ENH4X31*17**	*9MPV075	1.02	0.94

COOLING Multiplying Factors for other Indoor Combinations

Indoor Model	Furnace Model	CAPACITY (MBh)	Power (AMPS)	Indoor Model	Furnace Model	CAPACITY (MBh)	Power (AMPS)
EHD4X24A**	*9MPV100	0.99	0.95	ENH4X31*17**	*9MPV100	1.02	0.94
EHD4X24A**	*9MPV125	0.99	0.92	ENH4X31*17**	*9MPV100	1.02	0.94
EHD4X24A**	*9MVX040	0.99	0.95	ENH4X31*17**	*9MPV125	1.02	0.94
EHD4X24A**	*9MVX060	0.99	0.95	ENH4X31*17**	*9MPV125	1.02	0.94
EHD4X24A**	*9MVX080	0.99	0.92	ENH4X31*17**	*9MV*1002116A**	1.02	0.92
EHD4X24A**	*9MVX100	0.99	0.92	ENH4X31*17**	*9MVX040	1.00	0.92
EHD4X24A**	OLV098A12A	1.00	0.92	ENH4X31*17**	*9MVX040	1.00	0.92
EHD4X24A**	OMV098J12A	1.00	0.96	ENH4X31*17**	*9MVX060	1.00	0.92
EHD4X24A**	OMV112K14A	1.00	0.92	ENH4X31*17**	*9MVX060	1.00	0.92
EHD4X24A**	-	0.99	1.03	ENH4X31*17**	*9MVX080	1.00	0.92
EHD4X30A**	*8MV*0701412**	1.00	0.92	ENH4X31*17**	*9MVX080	1.00	0.92
EHD4X30A**	*8MV*0901716**	1.00	0.92	ENH4X31*17**	*9MVX100	1.00	0.92
EHD4X30A**	*8MV*1102120**	1.00	0.92	ENH4X31*17**	*9MVX100	1.00	0.92
EHD4X30A**	*8MV*1352422**	1.00	0.92	ENH4X31*17**	OLV098A12A	1.02	0.94
EHD4X30A**	*8MX*0451408**	1.00	0.92	ENH4X31*17**	OMV098J12A	1.02	0.94
EHD4X30A**	*9MA*0601714A**	1.02	0.94	ENH4X31*17**	OMV112K14A	1.02	0.94
EHD4X30A**	*9MA*0602120A**	1.03	0.95	ENH4X31*17**	-	1.00	1.00
EHD4X30A**	*9MA*0801714A**	1.02	0.94	ENH4X36*17**	*9MA*0601714A**	1.02	0.94
EHD4X30A**	*9MA*0802120A**	1.03	0.92	ENH4X36*17**	*9MA*0801714A**	1.02	0.94
EHD4X30A**	*9MA*1002122A**	1.03	0.92	ENH4X36*17**	*9MA*1202422A**	1.02	0.94
EHD4X30A**	*9MA*1202422A**	1.02	0.94	ENH4X36*17**	*9MV*0401410A**	1.02	0.98
EHD4X30A**	*9MV*0401410A**	1.02	0.98	ENH4X36*17**	*9MV*0601714A**	1.02	0.94
EHD4X30A**	*9MV*0601714A**	1.02	0.94	ENH4X36*17**	*9MV*0801716A**	1.02	0.94
EHD4X30A**	*9MV*0801716A**	1.02	0.94	ENH4X36*17**	*9MV*1202422A**	1.02	0.94
EHD4X30A**	*9MV*0802120A**	1.03	0.91	ENH4X36*17**	*9MX*0401410A**	1.02	1.02
EHD4X30A**	*9MV*1002120A**	1.03	0.92	ENH4X36*17**	*9MX*0601714A**	1.02	0.94
EHD4X30A**	*9MV*1202422A**	1.02	0.94	ENH4X36*17**	*9MA*1002120A**	1.02	0.94
EHD4X30A**	*9MX*0401410A**	1.02	0.98	ENH4X36*17**	*9MV*1002116A**	1.02	0.94
EHD4X30A**	*9MX*0601714A**	1.02	0.94	FEA4X24**A*	-	0.99	0.95
EHD4X30A**	MV08B15**B*	1.00	0.92	FEA4X30**A*	-	1.00	0.96
EHD4X30A**	MV12F19**B*	1.00	0.92	FEA4X36**A*	-	1.01	0.97
EHD4X30A**	NOMV106D12*	1.00	0.92	FEM4P24**A*	-	0.99	0.95
EHD4X30A**	*8MPV050	1.00	0.96	FEM4P30**A*	-	1.00	0.92
EHD4X30A**	*8MPV075	1.00	0.92	FEM4P36**A*	-	1.01	1.05
EHD4X30A**	*8MPV100	1.00	0.92	FEM4X24****	-	0.99	0.95

COOLING Multiplying Factors for other Indoor Combinations						
Indoor Model	Furnace Model	CAPACITY (MBh)	Power (AMPS)	Indoor Model	Furnace Model	Power (AMPS)
EHD4X30A**	*8MPV125	1.00	0.92	FEM4X30***	-	0.92
EHD4X30A**	*9MA*1002120A**	1.02	0.94	FS(M,U)4P24**A*	-	0.95
EHD4X30A**	*9MPV050	1.00	0.96	FS(M,U)4P30**A*	-	0.96
EHD4X30A**	*9MPV075	1.00	0.96	FS(M,U)4X24****	-	1.03
EHD4X30A**	*9MPV100	1.00	0.92	FS(M,U)4X30****	-	1.00
EHD4X30A**	*9MPV125	1.00	0.92	FSA4X24**A*	-	1.03
EHD4X30A**	*9MV*1002116A**	1.02	0.94	FSA4X30**A*	-	1.04
EHD4X30A**	*9MVX040	1.00	0.96	FVM4X24****	-	0.93
EHD4X30A**	*9MVX060	1.00	0.96	FVM4X36****	-	0.95
EHD4X30A**	*9MVX080	1.00	0.92	FXM4X24**A*	-	0.93
				FXM4X30**A*	-	0.98
				FXM4X36**A*	-	0.95
COOLING Multiplying Factors for other Indoor Combinations						
Indoor Model	Furnace Model	CAPACITY (MBh)	Power (AMPS)	Indoor Model	Furnace Model	Power (AMPS)
(C,H,T)XA630						
*EN(A,D)4X31*17**	-	1.00	1.00	EHD4X36A**	OMV112K14A	0.94
EA*4X30*14A*	*8MV*0701412**	0.99	0.93	EHD4X36A**	-	1.04
EA*4X30*14A*	-	1.00	1.03	EHD4X42A**	*9MA*0601714A**	0.96
EA*4X30*17A*	*8MV*0701412**	0.99	0.91	EHD4X42A**	*9MA*0602120A**	0.94
EA*4X30*17A*	*8MV*0901716**	0.99	0.92	EHD4X42A**	*9MA*0801714A**	0.94
EA*4X30*17A*	*8MX*0701716**	1.00	0.94	EHD4X42A**	*9MA*0802120A**	0.91
EA*4X30*17A*	*9MA*0601714A**	0.99	0.95	EHD4X42A**	*9MA*1002122A**	0.91
EA*4X30*17A*	*9MA*0801714A**	0.99	0.94	EHD4X42A**	*9MA*1202422A**	0.94
EA*4X30*17A*	*9MV*0601714A**	0.99	0.94	EHD4X42A**	*9MV*0601714A**	0.96
EA*4X30*17A*	*9MV*0801716A**	0.99	0.94	EHD4X42A**	*9MV*0801716A**	0.94
EA*4X30*17A*	*9MX*0601714A**	0.99	0.94	EHD4X42A**	*9MV*0802120A**	0.91
EA*4X30*17A*	*9MX*0801716A**	1.01	0.95	EHD4X42A**	*9MV*1002120A**	0.90
EA*4X30*17A*	-	1.00	1.03	EHD4X42A**	*9MV*1202422A**	0.95
EA*4X36*14A*	*8MV*0701412**	0.99	0.92	EHD4X42A**	*9MX*0601714A**	0.96
EA*4X36*14A*	-	1.00	1.00	EHD4X42A**	*9MX*0801716A**	0.96
EA*4X36*17A*	*8MV*0701412**	0.99	0.92	EHD4X42A**	*9MA*1002120A**	0.95
EA*4X36*17A*	*8MV*0901716**	0.99	0.92	EHD4X42A**	*9MV*1002116A**	0.94
EA*4X36*17A*	*8MX*0701716**	1.00	0.92	EMA4X36D*	-	1.04
EA*4X36*17A*	*9MA*0601714A**	0.99	0.94	EN(A,D)4X30*14**	*8MV*0701412**	0.95

COOLING Multiplying Factors for other Indoor Combinations

Indoor Model	Furnace Model	CAPACITY (MBh)	Power (AMPS)	Indoor Model	Furnace Model	CAPACITY (MBh)	Power (AMPS)
EA*4X36*17A*	*9MA*0801714A**	1.00	0.94	EN(A,D)4X30*14**	-	0.99	1.04
EA*4X36*17A*	*9MV*0601714A**	0.99	0.94	EN(A,D)4X30*17**	*8MV*0701412**	0.99	0.95
EA*4X36*17A*	*9MV*0801716A**	1.00	0.94	EN(A,D)4X30*17**	*8MV*0901716**	0.99	0.95
EA*4X36*17A*	*9MX*0601714A**	1.00	0.94	EN(A,D)4X30*17**	*8MX*0701716**	0.99	0.95
EA*4X36*17A*	*9MX*0801716A**	1.01	0.95	EN(A,D)4X30*17**	*9MA*0601714A**	0.99	0.95
EA*4X36*17A*	-	1.00	1.00	EN(A,D)4X30*17**	*9MA*0801714A**	0.99	0.94
EA*4X36*21A*	*8MV*0901716**	0.99	0.92	EN(A,D)4X30*17**	*9MV*0601714A**	0.99	0.94
EA*4X36*21A*	*8MV*1102120**	1.00	0.92	EN(A,D)4X30*17**	*9MV*0801716A**	0.99	0.94
EA*4X36*21A*	*8MX*0701716**	1.01	0.93	EN(A,D)4X30*17**	*9MX*0601714A**	1.00	0.94
EA*4X36*21A*	*8MX*0902116**	1.01	0.93	EN(A,D)4X30*17**	*9MX*0801716A**	1.01	0.95
EA*4X36*21A*	*9MA*0601714A**	0.99	0.94	EN(A,D)4X30*17**	MV08B15**B*	0.99	0.95
EA*4X36*21A*	*9MA*0602120A**	1.00	0.92	EN(A,D)4X30*17**	NOMV106D12*	0.99	0.95
EA*4X36*21A*	*9MA*0801714A**	1.00	0.94	EN(A,D)4X30*17**	*8MPV050	0.99	0.99
EA*4X36*21A*	*9MA*0802120A**	1.00	0.92	EN(A,D)4X30*17**	*9MPV050	0.99	0.95
EA*4X36*21A*	*9MA*1002122A**	1.01	0.92	EN(A,D)4X30*17**	*9MPV075	0.99	0.95
EA*4X36*21A*	*9MV*0601714A**	1.00	0.94	EN(A,D)4X30*17**	*9MVX040	0.99	0.95
EA*4X36*21A*	*9MV*0801716A**	1.00	0.94	EN(A,D)4X30*17**	*9MVX060	1.00	0.96
EA*4X36*21A*	*9MV*0802120A**	1.00	0.92	EN(A,D)4X30*17**	OLV098A12A	0.99	0.95
EA*4X36*21A*	*9MV*1002120A**	1.00	0.92	EN(A,D)4X30*17**	OMV098J12A	0.99	0.95
EA*4X36*21A*	*9MX*0601714A**	1.01	0.95	EN(A,D)4X30*17**	OMV112K14A	1.00	0.96
EA*4X36*21A*	*9MX*0801716A**	1.01	0.96	EN(A,D)4X30*17**	-	0.99	1.04
EA*4X36*21A*	-	1.00	0.94	EN(A,D)4X31*17**	*8MV*0701412**	0.99	0.92
EA*4X42*21A*	*9MA*0601714A**	1.00	0.94	EN(A,D)4X31*17**	*8MV*0901716**	0.99	0.92
EA*4X42*21A*	*9MA*0602120A**	1.01	0.93	EN(A,D)4X31*17**	*8MX*0701716**	0.99	0.95
EA*4X42*21A*	*9MA*0801714A**	1.00	0.94	EN(A,D)4X31*17**	*8MX*0701716**	1.01	0.96
EA*4X42*21A*	*9MA*0802120A**	1.01	0.93	EN(A,D)4X31*17**	*9MV*0601714A**	1.01	0.94
EA*4X42*21A*	*9MA*1002122A**	1.01	0.90	EN(A,D)4X31*17**	*9MV*0801716A**	1.02	0.96
EA*4X42*21A*	*9MV*0601714A**	1.00	0.94	EN(A,D)4X31*17**	*9MX*0601714A**	1.03	0.97
EA*4X42*21A*	*9MV*0801716A**	1.01	0.95	EN(A,D)4X31*17**	MV08B15**B*	0.99	0.92
EA*4X42*21A*	*9MV*0802120A**	1.01	0.93	EN(A,D)4X31*17**	NOMV106D12*	0.99	0.92
EA*4X42*21A*	*9MV*1002120A**	1.00	0.92	EN(A,D)4X31*17**	*8MPV050	0.99	0.95
EA*4X42*21A*	*9MX*0601714A**	1.01	0.95	EN(A,D)4X31*17**	*9MPV050	1.01	0.97
EA*4X42*21A*	*9MX*0801716A**	1.01	0.96	EN(A,D)4X31*17**	*9MPV075	1.01	0.97

COOLING Multiplying Factors for other Indoor Combinations

Indoor Model	Furnace Model	CAPACITY (MBh)	Power (AMPS)	Indoor Model	Furnace Model	CAPACITY (MBh)	Power (AMPS)
EA*4X42*21A*	*9MA*1002120A**	1.01	0.93	EN(A,D)4X31*17**	*9MVX040	1.01	0.97
EA*4X42*21A*	*9MV*1002116A**	1.01	0.93	EN(A,D)4X31*17**	*9MVX060	1.01	0.97
EA*4X42*21A*	-	1.01	1.01	EN(A,D)4X31*17**	OLV098A12A	1.01	0.97
EA*4X42*24A*	*9MA*1202422A**	1.01	0.93	EN(A,D)4X31*17**	OMV098J12A	1.01	0.97
EA*4X42*24A*	*9MV*1202422A**	1.01	0.94	EN(A,D)4X31*17**	OMV112K14A	1.01	0.97
EA*4X42*24A*	*9MA*1002120A**	1.01	0.93	EN(A,D)4X36*21**	*8MV*0901716**	1.00	0.96
EA*4X42*24A*	*9MV*1002116A**	1.01	0.93	EN(A,D)4X36*21**	*8MV*1102120**	1.00	0.96
EA*4X42*24A*	-	1.01	1.01	EN(A,D)4X36*21**	*8MX*0701716**	1.00	0.96
ED*4X30B**	MV08B15**B*	0.99	0.92	EN(A,D)4X36*21**	*8MX*0902116**	1.00	0.96
ED*4X30B**	*8MPV050	0.99	0.99	EN(A,D)4X36*21**	*9MA*0601714A**	0.99	0.95
ED*4X30B**	-	0.99	1.04	EN(A,D)4X36*21**	*9MA*0602120A**	0.99	0.94
ED*4X30F**	*9MA*0601714A**	0.99	0.95	EN(A,D)4X36*21**	*9MA*0801714A**	0.99	0.94
ED*4X30F**	*9MA*0602120A**	0.99	0.94	EN(A,D)4X36*21**	*9MA*0802120A**	0.99	0.92
ED*4X30F**	*9MA*0801714A**	0.99	0.94	EN(A,D)4X36*21**	*9MA*1002122A**	1.00	0.92
ED*4X30F**	*9MA*0802120A**	0.99	0.92	EN(A,D)4X36*21**	*9MV*0601714A**	0.99	0.94
ED*4X30F**	*9MA*1002122A**	1.00	0.92	EN(A,D)4X36*21**	*9MV*0801716A**	0.99	0.94
ED*4X30F**	*9MV*0601714A**	0.99	0.94	EN(A,D)4X36*21**	*9MV*0802120A**	0.99	0.90
ED*4X30F**	*9MV*0801716A**	0.99	0.94	EN(A,D)4X36*21**	*9MV*1002120A**	0.99	0.90
ED*4X30F**	*9MV*0802120A**	0.99	0.90	EN(A,D)4X36*21**	*9MX*0601714A**	1.00	0.94
ED*4X30F**	*9MV*1002120A**	0.99	0.90	EN(A,D)4X36*21**	*9MX*0801716A**	1.01	0.95
ED*4X30F**	*9MX*0601714A**	0.99	0.94	EN(A,D)4X36*21**	MV12F19**B*	1.00	0.96
ED*4X30F**	*9MX*0801716A**	1.01	0.95	EN(A,D)4X36*21**	NOMV106D12*	0.99	0.95
ED*4X30F**	MV12F19**B*	0.99	0.92	EN(A,D)4X36*21**	*8MPV075	1.00	0.96
ED*4X30F**	*8MPV075	0.99	0.95	EN(A,D)4X36*21**	*9MA*1002120A**	1.00	0.94
ED*4X30F**	*9MA*1002120A**	1.00	0.94	EN(A,D)4X36*21**	*9MPV050	1.00	0.96
ED*4X30F**	*9MPV050	0.99	0.95	EN(A,D)4X36*21**	*9MPV050	1.00	0.96
ED*4X30F**	*9MPV075	0.99	0.95	EN(A,D)4X36*21**	*9MPV075	1.00	0.96
ED*4X30F**	*9MV*1002116A**	0.99	0.94	EN(A,D)4X36*21**	*9MPV075	1.00	0.96
ED*4X30F**	*9MVX040	0.99	0.95	EN(A,D)4X36*21**	*9MPV100	1.00	0.96
ED*4X30F**	*9MVX060	0.99	0.95	EN(A,D)4X36*21**	*9MV*1002116A**	0.99	0.94
ED*4X30F**	OLV098A12A	0.99	0.95	EN(A,D)4X36*21**	*9MVX040	1.00	0.96
ED*4X30F**	OLV112A16A	1.00	0.96	EN(A,D)4X36*21**	*9MVX040	1.00	0.96
ED*4X30F**	OMV098J12A	0.99	0.95	EN(A,D)4X36*21**	*9MVX060	1.00	0.96
ED*4X30F**	OMV112K14A	1.00	0.96	EN(A,D)4X36*21**	*9MVX060	1.00	0.96
ED*4X30F**	-	0.99	1.04	EN(A,D)4X36*21**	*9MVX080	1.01	0.97

COOLING Multiplying Factors for other Indoor Combinations

Indoor Model	Furnace Model	CAPACITY (MBh)	Power (AMPS)	Indoor Model	Furnace Model	CAPACITY (MBh)	Power (AMPS)
ED*4X36B**	MV08B15**B*	1.00	0.92	EN(A,D)4X36*21**	OLV098A12A	0.99	0.95
ED*4X36B**	*8MPV050	1.00	1.00	EN(A,D)4X36*21**	OLV112A16A	1.00	0.96
ED*4X36B**	-	1.00	1.04	EN(A,D)4X36*21**	OMV098J12A	0.99	0.95
ED*4X36F**	*9MA*0601714A**	0.99	0.94	EN(A,D)4X36*21**	OMV112K14A	1.00	0.96
ED*4X36F**	*9MA*0602120A**	1.00	0.92	EN(A,D)4X36*21**	-	1.00	1.04
ED*4X36F**	*9MA*0801714A**	1.00	0.94	EN(A,D)4X37*17**	*8MV*0701412**	1.01	0.93
ED*4X36F**	*9MA*0802120A**	1.00	0.92	EN(A,D)4X37*17**	*8MV*0901716**	1.01	0.93
ED*4X36F**	*9MA*1002122A**	1.01	0.93	EN(A,D)4X37*17**	*8MX*0701716**	1.01	0.93
ED*4X36F**	*9MV*0601714A**	0.99	0.94	EN(A,D)4X37*17**	*9MA*0601714A**	1.02	0.94
ED*4X36F**	*9MV*0801716A**	1.00	0.94	EN(A,D)4X37*17**	*9MA*0801714A**	1.03	0.95
ED*4X36F**	*9MV*0802120A**	1.00	0.92	EN(A,D)4X37*17**	*9MV*0601714A**	1.02	0.94
ED*4X36F**	*9MV*1002120A**	0.99	0.92	EN(A,D)4X37*17**	*9MV*0801716A**	1.03	0.95
ED*4X36F**	*9MX*0601714A**	1.00	0.94	EN(A,D)4X37*17**	*9MX*0601714A**	1.03	0.96
ED*4X36F**	*9MX*0801716A**	1.01	0.95	EN(A,D)4X37*17**	*9MX*0801716A**	1.04	0.96
ED*4X36F**	MV12F19**B*	1.00	0.92	EN(A,D)4X37*17**	MV08B15**B*	1.01	0.93
ED*4X36F**	*8MPV075	1.00	0.96	EN(A,D)4X37*17**	NOMV106D12*	1.01	0.93
ED*4X36F**	*9MA*1002120A**	1.00	0.94	EN(A,D)4X37*17**	*8MPV050	1.01	0.97
ED*4X36F**	*9MPV050	1.00	0.96	EN(A,D)4X37*17**	*9MPV050	1.01	0.97
ED*4X36F**	*9MPV075	1.00	0.96	EN(A,D)4X37*17**	*9MPV075	1.01	0.97
ED*4X36F**	*9MV*1002116A**	1.00	0.94	EN(A,D)4X37*17**	*9MVX040	1.01	0.97
ED*4X36F**	*9MVX040	1.00	0.96	EN(A,D)4X37*17**	*9MVX060	1.01	0.97
ED*4X36F**	*9MVX060	1.00	0.96	EN(A,D)4X37*17**	OLV098A12A	1.01	0.94
ED*4X36F**	OLV098A12A	0.99	0.95	EN(A,D)4X37*17**	OMV098J12A	1.01	0.97
ED*4X36F**	OLV112A16A	1.00	0.96	EN(A,D)4X37*17**	OMV112K14A	1.01	0.94
ED*4X36F**	OMV098J12A	0.99	0.95	EN(A,D)4X37*17**	-	1.01	1.01
ED*4X36F**	OMV112K14A	1.00	0.96	EN(A,D)4X43*24**	*9MVX100	1.01	0.93
ED*4X36F**	-	1.00	1.04	EN(A,D,W)4X36*17**	*8MV*0701412**	1.00	0.96
ED*4X36J**	*9MA*0602120A**	1.00	0.92	EN(A,D,W)4X36*17**	*8MV*0901716**	1.00	0.96
ED*4X36J**	*9MA*0802120A**	1.00	0.92	EN(A,D,W)4X36*17**	*8MX*0701716**	1.00	0.96
ED*4X36J**	*9MA*1002122A**	1.01	0.93	EN(A,D,W)4X36*17**	*9MA*0601714A**	0.99	0.95
ED*4X36J**	*9MA*1202422A**	1.00	0.92	EN(A,D,W)4X36*17**	*9MA*0801714A**	0.99	0.94
ED*4X36J**	*9MV*0802120A**	1.00	0.92	EN(A,D,W)4X36*17**	*9MV*0601714A**	0.99	0.94
ED*4X36J**	*9MV*1002120A**	1.00	0.92	EN(A,D,W)4X36*17**	*9MV*0801716A**	0.99	0.94
ED*4X36J**	*9MV*1202422A**	1.01	0.93	EN(A,D,W)4X36*17**	*9MX*0601714A**	1.00	0.94
ED*4X36J**	*8MPV100	1.00	0.92	EN(A,D,W)4X36*17**	*9MX*0801716A**	1.01	0.95

COOLING Multiplying Factors for other Indoor Combinations

Indoor Model	Furnace Model	CAPACITY (MBh)	Power (AMPS)	Indoor Model	Furnace Model	CAPACITY (MBh)	Power (AMPS)
ED*4X36J**	*8MPV125	1.00	0.92	EN(A,D,W)4X36*17**	MV08B15**B*	1.00	0.96
ED*4X36J**	*9MA*1002120A**	1.00	0.94	EN(A,D,W)4X36*17**	NOMV106D12*	0.99	0.95
ED*4X36J**	*9MPV100	1.00	0.96	EN(A,D,W)4X36*17**	*8MPV050	1.00	1.00
ED*4X36J**	*9MV*1002116A**	1.00	0.94	EN(A,D,W)4X36*17**	*9MPV050	0.99	0.95
ED*4X36J**	*9MVX080	1.00	0.96	EN(A,D,W)4X36*17**	*9MPV075	0.99	0.95
ED*4X36J**	OLV112A16A	1.01	0.97	EN(A,D,W)4X36*17**	*9MVX040	0.99	0.95
ED*4X36J**	-	1.00	1.04	EN(A,D,W)4X36*17**	*9MVX060	1.00	0.96
ED*4X42F**	*8MV*0901716**	1.01	0.93	EN(A,D,W)4X36*17**	OLV098A12A	0.99	0.95
ED*4X42F**	*8MX*0701716**	1.01	0.97	EN(A,D,W)4X36*17**	OMV098J12A	0.99	0.95
ED*4X42F**	*9MA*0601714A**	1.00	0.94	EN(A,D,W)4X36*17**	OMV112K14A	1.00	0.96
ED*4X42F**	*9MA*0602120A**	1.00	0.92	EN(A,D,W)4X36*17**	-	0.99	1.04
ED*4X42F**	*9MA*0801714A**	1.00	0.94	EN(A,D,W)4X42*21**	*9MA*0601714A**	1.00	0.94
ED*4X42F**	*9MA*0802120A**	1.01	0.93	EN(A,D,W)4X42*21**	*9MA*0602120A**	1.01	0.93
ED*4X42F**	*9MA*1002122A**	1.01	0.93	EN(A,D,W)4X42*21**	*9MA*0801714A**	1.01	0.95
ED*4X42F**	*9MV*0601714A**	1.00	0.94	EN(A,D,W)4X42*21**	*9MA*0802120A**	1.01	0.93
ED*4X42F**	*9MV*0801716A**	1.01	0.95	EN(A,D,W)4X42*21**	*9MA*1002122A**	1.01	0.92
ED*4X42F**	*9MV*0802120A**	1.01	0.93	EN(A,D,W)4X42*21**	*9MV*0601714A**	1.00	0.94
ED*4X42F**	*9MV*1002120A**	1.00	0.92	EN(A,D,W)4X42*21**	*9MV*0801716A**	1.01	0.95
ED*4X42F**	*9MX*0601714A**	1.01	0.95	EN(A,D,W)4X42*21**	*9MV*0802120A**	1.01	0.93
ED*4X42F**	*9MX*0801716A**	1.01	0.96	EN(A,D,W)4X42*21**	*9MV*1002120A**	1.00	0.92
ED*4X42F**	MV08B15**B*	1.01	0.93	EN(A,D,W)4X42*21**	*9MX*0601714A**	1.01	0.95
ED*4X42F**	MV12F19**B*	1.01	0.93	EN(A,D,W)4X42*21**	*9MX*0801716A**	1.01	0.96
ED*4X42F**	NOMV106D12*	1.00	0.92	EN(A,D,W)4X42*21**	*9MA*1002120A**	1.01	0.95
ED*4X42F**	*8MPV050	1.01	1.01	EN(A,D,W)4X42*21**	*9MV*1002116A**	1.01	0.95
ED*4X42F**	*8MPV075	1.01	0.97	END4X42*17**	*8MV*0901716**	1.01	0.93
ED*4X42F**	*9MA*1002120A**	1.01	0.95	END4X42*17**	*9MA*0601714A**	1.01	0.95
ED*4X42F**	*9MPV050	1.01	0.97	END4X42*17**	*9MA*0801714A**	1.01	0.96
ED*4X42F**	*9MPV075	1.01	0.97	END4X42*17**	*9MV*0601714A**	1.01	0.95
ED*4X42F**	*9MV*1002116A**	1.01	0.95	END4X42*17**	*9MV*0801716A**	1.01	0.94
ED*4X42F**	*9MVX040	1.01	0.97	END4X42*17**	*9MX*0601714A**	1.01	0.96
ED*4X42F**	*9MVX060	1.01	0.97	END4X42*17**	*9MX*0801716A**	1.02	0.96
ED*4X42F**	-	1.01	1.05	ENH4X30*17**	*8MV*0701412**	0.99	0.95
ED*4X42J**	*8MV*1102120**	1.01	0.93	ENH4X30*17**	*8MV*0901716**	0.99	0.95
ED*4X42J**	*8MX*0902116**	1.01	0.93	ENH4X30*17**	*8MV*1102120**	0.99	0.95
ED*4X42J**	*8MX*1102120**	1.01	0.93	ENH4X30*17**	*8MV*1352422**	0.99	0.95

COOLING Multiplying Factors for other Indoor Combinations

Indoor Model	Furnace Model	CAPACITY (MBh)	Power (AMPS)	Indoor Model	Furnace Model	CAPACITY (MBh)	Power (AMPS)
ED*4X42J**	*9MA*0602120A**	1.01	0.93	ENH4X30*17**	*8MX*0701716**	0.99	0.95
ED*4X42J**	*9MA*0802120A**	1.01	0.93	ENH4X30*17**	*8MX*0902116**	0.99	0.95
ED*4X42J**	*9MA*1002122A**	1.01	0.94	ENH4X30*17**	*9MA*0601714A**	0.99	0.95
ED*4X42J**	*9MA*1202422A**	1.01	0.93	ENH4X30*17**	*9MA*0801714A**	0.99	0.94
ED*4X42J**	*9MV*0802120A**	1.01	0.93	ENH4X30*17**	*9MA*1202422A**	1.00	0.94
ED*4X42J**	*9MV*1002120A**	1.00	0.92	ENH4X30*17**	*9MV*0601714A**	0.99	0.94
ED*4X42J**	*9MV*1202422A**	1.01	0.94	ENH4X30*17**	*9MV*0801716A**	0.99	0.94
ED*4X42J**	MV12F19**B*	1.01	0.93	ENH4X30*17**	*9MV*1202422A**	0.99	0.94
ED*4X42J**	MV16J22**B*	1.01	0.93	ENH4X30*17**	*9MX*0601714A**	1.00	0.94
ED*4X42J**	NOMV156E19*	1.01	0.93	ENH4X30*17**	*9MX*0801716A**	1.01	0.95
ED*4X42J**	*8MPV075	1.01	0.97	ENH4X30*17**	MV08B15**B*	0.99	0.92
ED*4X42J**	*8MPV100	1.01	0.93	ENH4X30*17**	MV12F19**B*	0.99	0.92
ED*4X42J**	*8MPV125	1.01	0.93	ENH4X30*17**	NOMV106D12*	0.99	0.95
ED*4X42J**	*9MA*1002120A**	1.01	0.93	ENH4X30*17**	*8MPV050	0.99	0.99
ED*4X42J**	*9MPV050	1.01	0.97	ENH4X30*17**	*8MPV075	0.99	0.95
ED*4X42J**	*9MPV075	1.01	0.97	ENH4X30*17**	*8MPV100	0.99	0.95
ED*4X42J**	*9MPV100	1.01	0.97	ENH4X30*17**	*8MPV125	0.99	0.95
ED*4X42J**	*9MV*1002116A**	1.01	0.93	ENH4X30*17**	*9MA*1002120A**	1.00	0.94
ED*4X42J**	*9MVX040	1.01	0.97	ENH4X30*17**	*9MPV050	0.99	0.95
ED*4X42J**	*9MVX060	1.01	0.97	ENH4X30*17**	*9MPV050	0.99	0.95
ED*4X42J**	-	1.01	0.93	ENH4X30*17**	*9MPV075	0.99	0.95
ED*4X42L**	*8MV*1102120**	1.01	1.05	ENH4X30*17**	*9MPV075	0.99	0.95
ED*4X42L**	*8MV*1352422**	1.01	0.93	ENH4X30*17**	*9MPV100	1.00	0.96
ED*4X42L**	*8MX*0902116**	1.01	0.93	ENH4X30*17**	*9MPV100	1.00	0.96
ED*4X42L**	*8MX*1102120**	1.01	0.93	ENH4X30*17**	*9MPV125	1.00	0.96
ED*4X42L**	*9MA*1202422A**	1.01	0.93	ENH4X30*17**	*9MPV125	1.00	0.96
ED*4X42L**	*9MV*1202422A**	1.01	0.93	ENH4X30*17**	*9MV*1002116A**	0.99	0.94
ED*4X42L**	MV16J22**B*	1.01	0.94	ENH4X30*17**	*9MVX040	0.99	0.95
ED*4X42L**	MV20L24**B*	1.01	0.93	ENH4X30*17**	*9MVX040	0.99	0.95
ED*4X42L**	NOMV156E19*	1.01	0.93	ENH4X30*17**	*9MVX060	0.99	0.95
ED*4X42L**	*8MPV100	1.01	0.93	ENH4X30*17**	*9MVX060	0.99	0.95
ED*4X42L**	*8MPV125	1.01	0.93	ENH4X30*17**	*9MVX080	0.99	0.95
ED*4X42L**	*9MA*1002120A**	1.01	0.93	ENH4X30*17**	*9MVX080	0.99	0.95
ED*4X42L**	*9MPV100	1.01	0.93	ENH4X30*17**	*9MVX100	0.99	0.95

COOLING Multiplying Factors for other Indoor Combinations

Indoor Model	Furnace Model	CAPACITY (MBh)	Power (AMPS)	Indoor Model	Furnace Model	CAPACITY (MBh)	Power (AMPS)
ED*4X42L**	*9MPV125	1.01	0.93	ENH4X30*17**	OLV098A12A	0.99	0.95
ED*4X42L**	*9MV*1002116A**	1.01	0.93	ENH4X30*17**	OLV112A16A	1.00	0.96
ED*4X42L**	*9MVX080	1.01	0.93	ENH4X30*17**	OMV098J12A	0.99	0.95
ED*4X42L**	*9MVX100	1.01	0.93	ENH4X30*17**	OMV112K14A	1.00	0.96
ED*4X42L**	-	1.01	1.05	ENH4X30*17**	-	0.99	1.04
ED*4X48F**	*8MV*0901716**	1.01	0.94	ENH4X31*17**	*8MV*0701412**	0.99	0.92
ED*4X48F**	*8MX*0701716**	1.01	0.94	ENH4X31*17**	*8MV*0901716**	0.99	0.92
ED*4X48F**	MV08B15**B*	1.01	0.94	ENH4X31*17**	*8MV*1102120**	0.99	0.92
ED*4X48F**	MV12F19**B*	1.01	0.94	ENH4X31*17**	*8MV*1352422**	0.99	0.92
ED*4X48F**	NOMV106D12*	1.01	0.94	ENH4X31*17**	*8MX*0701716**	0.99	0.95
ED*4X48F**	*8MPV050	1.01	0.97	ENH4X31*17**	*8MX*0902116**	0.99	0.92
ED*4X48F**	*8MPV075	1.01	0.94	ENH4X31*17**	*9MA*0601714A**	1.01	0.96
ED*4X48F**	*9MPV050	1.01	0.97	ENH4X31*17**	*9MA*0801714A**	1.01	0.94
ED*4X48F**	*9MPV075	1.03	0.99	ENH4X31*17**	*9MA*1202422A**	1.02	0.94
ED*4X48F**	*9MVX040	1.01	0.97	ENH4X31*17**	*9MV*0601714A**	1.01	0.96
ED*4X48F**	*9MVX060	1.01	0.97	ENH4X31*17**	*9MV*0801716A**	1.01	0.94
ED*4X48F**	-	1.01	1.01	ENH4X31*17**	*9MV*1202422A**	1.02	0.94
ED*4X48J**	*8MV*1102120**	1.01	0.94	ENH4X31*17**	*9MX*0601714A**	1.02	0.96
ED*4X48J**	*8MX*0902116**	1.01	0.94	ENH4X31*17**	*9MX*0801716A**	1.03	0.97
ED*4X48J**	*8MX*1102120**	1.01	0.94	ENH4X31*17**	MV08B15**B*	0.99	0.92
ED*4X48J**	MV12F19**B*	1.01	0.94	ENH4X31*17**	MV12F19**B*	0.99	0.92
ED*4X48J**	MV16J22**B*	1.01	0.94	ENH4X31*17**	NOMV106D12*	0.99	0.92
ED*4X48J**	NOMV156E19*	1.01	0.94	ENH4X31*17**	*8MPV050	0.99	0.95
ED*4X48J**	*8MPV075	1.01	0.94	ENH4X31*17**	*8MPV075	0.99	0.95
ED*4X48J**	*8MPV100	1.01	0.94	ENH4X31*17**	*8MPV100	0.99	0.92
ED*4X48J**	*8MPV125	1.01	0.94	ENH4X31*17**	*8MPV125	0.99	0.92
ED*4X48J**	*9MPV050	1.01	0.97	ENH4X31*17**	*9MA*1002120A**	1.02	0.94
ED*4X48J**	*9MPV075	1.01	0.97	ENH4X31*17**	*9MPV050	1.01	0.97
ED*4X48J**	*9MPV100	1.01	0.97	ENH4X31*17**	*9MPV050	1.01	0.97
ED*4X48J**	*9MVX040	1.01	0.97	ENH4X31*17**	*9MPV075	1.01	0.97
ED*4X48J**	*9MVX060	1.01	0.97	ENH4X31*17**	*9MPV075	1.01	0.97
ED*4X48J**	*9MVX080	1.01	0.97	ENH4X31*17**	*9MPV100	1.01	0.94
ED*4X48L**	-	1.01	1.01	ENH4X31*17**	*9MPV100	1.01	0.94
ED*4X48L**	*8MV*1102120**	1.01	0.94	ENH4X31*17**	*9MPV125	1.01	0.94
ED*4X48L**	*8MV*1352422**	1.01	0.94	ENH4X31*17**	*9MPV125	1.01	0.94

COOLING Multiplying Factors for other Indoor Combinations

Indoor Model	Furnace Model	Indoor Model	Furnace Model	Power (AMPS)	Indoor Model	Power (AMPS)	Capacity (MBh)	Indoor Model	Power (AMPS)	Capacity (MBh)
ED*4X48L**	*8MX*0902116**	ENH4X31*17**	*9MV*1002116A**	0.94	ENH4X31*17**	0.94	1.01	ENH4X31*17**	0.94	1.01
ED*4X48L**	*8MX*1102120**	ENH4X31*17**	*9MVX040	0.94	ENH4X31*17**	0.94	1.01	ENH4X31*17**	0.94	0.99
ED*4X48L**	MV16J22**B*	ENH4X31*17**	*9MVX040	0.94	ENH4X31*17**	0.94	1.01	ENH4X31*17**	0.94	0.99
ED*4X48L**	MV20L24**B*	ENH4X31*17**	*9MVX060	0.94	ENH4X31*17**	0.94	1.01	ENH4X31*17**	0.94	0.99
ED*4X48L**	NOMV156E19*	ENH4X31*17**	*9MVX060	0.94	ENH4X31*17**	0.94	1.01	ENH4X31*17**	0.94	0.99
ED*4X48L**	*8MPV100	ENH4X31*17**	*9MVX080	0.94	ENH4X31*17**	0.94	1.01	ENH4X31*17**	0.94	0.99
ED*4X48L**	*8MPV125	ENH4X31*17**	*9MVX080	0.94	ENH4X31*17**	0.94	1.01	ENH4X31*17**	0.94	0.99
ED*4X48L**	*9MPV100	ENH4X31*17**	*9MVX100	0.94	ENH4X31*17**	0.94	1.01	ENH4X31*17**	0.94	0.99
ED*4X48L**	*9MPV125	ENH4X31*17**	*9MVX100	0.96	ENH4X31*17**	0.96	1.04	ENH4X31*17**	0.96	0.99
ED*4X48L**	*9MVX080	ENH4X31*17**	OLV098A12A	0.94	ENH4X31*17**	0.94	1.01	ENH4X31*17**	0.94	1.01
ED*4X48L**	*9MVX100	ENH4X31*17**	OLV112A16A	0.94	ENH4X31*17**	0.94	1.01	ENH4X31*17**	0.94	1.01
ED*4X48L**	-	ENH4X31*17**	OMV098J12A	1.01	ENH4X31*17**	1.01	1.01	ENH4X31*17**	1.01	1.01
EHD4X30A**	*8MV*0701412**	ENH4X31*17**	OMV112K14A	0.90	ENH4X31*17**	0.90	0.99	ENH4X31*17**	0.90	1.01
EHD4X30A**	*8MV*0901716**	ENH4X31*17**	-	0.95	ENH4X31*17**	0.95	0.99	ENH4X31*17**	0.95	0.99
EHD4X30A**	*8MV*1102120**	ENH4X36*17**	*8MV*0701412**	0.95	ENH4X36*17**	0.95	0.99	ENH4X36*17**	0.95	1.00
EHD4X30A**	*8MV*1352422**	ENH4X36*17**	*8MV*0901716**	0.95	ENH4X36*17**	0.95	0.99	ENH4X36*17**	0.95	1.00
EHD4X30A**	*8MX*0701716**	ENH4X36*17**	*8MV*1102120**	0.95	ENH4X36*17**	0.95	0.99	ENH4X36*17**	0.95	1.00
EHD4X30A**	*8MX*0902116**	ENH4X36*17**	*8MV*1352422**	0.95	ENH4X36*17**	0.95	0.99	ENH4X36*17**	0.95	1.00
EHD4X30A**	*9MA*0601714A**	ENH4X36*17**	*8MX*0701716**	0.95	ENH4X36*17**	0.95	0.99	ENH4X36*17**	0.95	1.00
EHD4X30A**	*9MA*0801714A**	ENH4X36*17**	*8MX*0902116**	0.94	ENH4X36*17**	0.94	1.00	ENH4X36*17**	0.94	1.00
EHD4X30A**	*9MA*1002122A**	ENH4X36*17**	*9MA*0601714A**	0.94	ENH4X36*17**	0.94	1.00	ENH4X36*17**	0.94	0.99
EHD4X30A**	*9MA*1202422A**	ENH4X36*17**	*9MA*0801714A**	0.92	ENH4X36*17**	0.92	1.00	ENH4X36*17**	0.92	0.99
EHD4X30A**	*9MV*0601714A**	ENH4X36*17**	*9MA*1202422A**	0.93	ENH4X36*17**	0.93	1.01	ENH4X36*17**	0.93	1.00
EHD4X30A**	*9MV*0801716A**	ENH4X36*17**	*9MA*1202422A**	0.94	ENH4X36*17**	0.94	1.00	ENH4X36*17**	0.94	0.99
EHD4X30A**	*9MV*0802120A**	ENH4X36*17**	*9MV*0601714A**	0.94	ENH4X36*17**	0.94	0.99	ENH4X36*17**	0.94	0.99
EHD4X30A**	*9MV*1002120A**	ENH4X36*17**	*9MV*0801716A**	0.90	ENH4X36*17**	0.90	0.99	ENH4X36*17**	0.90	1.00
EHD4X30A**	*9MV*1202422A**	ENH4X36*17**	MV08B15**B*	0.90	ENH4X36*17**	0.90	1.00	ENH4X36*17**	0.90	1.01
EHD4X30A**	*9MX*0601714A**	ENH4X36*17**	MV12F19**B*	0.94	ENH4X36*17**	0.94	1.00	ENH4X36*17**	0.94	1.00
EHD4X30A**	*9MX*0801716A**	ENH4X36*17**	NOMV106D12*	0.95	ENH4X36*17**	0.95	1.01	ENH4X36*17**	0.95	0.99
EHD4X30A**	*9MX*0801716A**	ENH4X36*17**	*8MPV050	0.92	ENH4X36*17**	0.92	0.99	ENH4X36*17**	0.92	1.00
EHD4X30A**	MV08B15**B*	ENH4X36*17**	*8MPV075	0.92	ENH4X36*17**	0.92	0.99	ENH4X36*17**	0.92	1.00
EHD4X30A**	MV12F19**B*	ENH4X36*17**	*8MPV100	0.92	ENH4X36*17**	0.92	0.99	ENH4X36*17**	0.92	1.00
EHD4X30A**	NOMV106D12*	ENH4X36*17**	*8MPV125	0.95	ENH4X36*17**	0.95	0.99	ENH4X36*17**	0.95	1.00
EHD4X30A**	*8MPV050	ENH4X36*17**		0.99	ENH4X36*17**	0.99	0.99	ENH4X36*17**	0.99	1.00

COOLING Multiplying Factors for other Indoor Combinations

Indoor Model	Furnace Model	CAPACITY (MBh)	Power (AMPS)	Indoor Model	Furnace Model	CAPACITY (MBh)	Power (AMPS)
EHD4X30A**	*8MPV075	0.99	0.95	ENH4X36*17**	*9MA*1002120A**	1.00	0.94
EHD4X30A**	*8MPV100	0.99	0.95	ENH4X36*17**	*9MPV050	0.99	0.95
EHD4X30A**	*8MPV125	0.99	0.95	ENH4X36*17**	*9MPV050	0.99	0.95
EHD4X30A**	*9MA*1002120A**	1.01	0.95	ENH4X36*17**	*9MPV075	0.99	0.95
EHD4X30A**	*9MPV050	0.99	0.95	ENH4X36*17**	*9MPV075	0.99	0.95
EHD4X30A**	*9MPV075	0.99	0.95	ENH4X36*17**	*9MPV100	1.00	0.96
EHD4X30A**	*9MPV100	0.99	0.95	ENH4X36*17**	*9MPV100	1.00	0.96
EHD4X30A**	*9MPV125	0.99	0.95	ENH4X36*17**	*9MPV125	1.00	0.96
EHD4X30A**	*9MV*1002116A**	0.99	0.94	ENH4X36*17**	*9MPV125	1.00	0.96
EHD4X30A**	*9MVX040	0.99	0.95	ENH4X36*17**	*9MV*1002116A**	0.99	0.94
EHD4X30A**	*9MVX060	0.99	0.95	ENH4X36*17**	*9MVX040	1.00	0.96
EHD4X30A**	*9MVX080	0.99	0.95	ENH4X36*17**	*9MVX040	1.00	0.96
EHD4X30A**	*9MVX100	0.99	0.95	ENH4X36*17**	*9MVX060	1.00	0.96
EHD4X30A**	OLV098A12A	0.99	0.95	ENH4X36*17**	*9MVX060	1.00	0.96
EHD4X30A**	OLV112A16A	1.01	0.97	ENH4X36*17**	*9MVX080	1.00	0.96
EHD4X30A**	OMV098J12A	1.00	0.96	ENH4X36*17**	*9MVX080	1.00	0.96
EHD4X30A**	OMV112K14A	1.00	0.96	ENH4X36*17**	*9MVX100	1.01	0.97
EHD4X30A**	-	0.99	1.04	ENH4X36*17**	*9MVX100	1.01	0.97
EHD4X36A**	*8MV*0701412**	1.00	0.92	ENH4X36*17**	OLV098A12A	0.99	0.95
EHD4X36A**	*8MV*0901716**	1.00	0.92	ENH4X36*17**	OLV112A16A	1.00	0.96
EHD4X36A**	*8MV*1102120**	1.00	0.92	ENH4X36*17**	OMV098J12A	0.99	0.95
EHD4X36A**	*8MV*1352422**	1.00	0.92	ENH4X36*17**	OMV112K14A	1.00	0.96
EHD4X36A**	*8MX*0701716**	1.00	0.96	ENH4X36*17**	-	1.00	1.04
EHD4X36A**	*8MX*0902116**	1.00	0.92	ENH4X42*21**	*9MA*0601714A**	1.00	0.94
EHD4X36A**	*9MA*0601714A**	1.01	0.95	ENH4X42*21**	*9MA*0602120A**	1.01	0.93
EHD4X36A**	*9MA*0602120A**	1.01	0.94	ENH4X42*21**	*9MA*0801714A**	1.01	0.95
EHD4X36A**	*9MA*0801714A**	1.01	0.94	ENH4X42*21**	*9MA*0802120A**	1.01	0.93
EHD4X36A**	*9MA*0802120A**	1.01	0.92	ENH4X42*21**	*9MA*1002122A**	1.01	0.92
EHD4X36A**	*9MA*1002122A**	1.02	0.91	ENH4X42*21**	*9MA*1202422A**	1.01	0.93
EHD4X36A**	*9MA*1202422A**	1.02	0.94	ENH4X42*21**	*9MV*0601714A**	1.00	0.94
EHD4X36A**	*9MV*0601714A**	1.01	0.96	ENH4X42*21**	*9MV*0801716A**	1.01	0.95
EHD4X36A**	*9MV*0801716A**	1.01	0.94	ENH4X42*21**	*9MV*0802120A**	1.01	0.93
EHD4X36A**	*9MV*0802120A**	1.01	0.94	ENH4X42*21**	*9MV*1002120A**	1.00	0.92
EHD4X36A**	*9MV*1002120A**	1.01	0.93	ENH4X42*21**	*9MV*1202422A**	1.01	0.93
EHD4X36A**	*9MV*1202422A**	1.02	0.94	ENH4X42*21**	*9MX*0601714A**	1.01	0.95

COOLING Multiplying Factors for other Indoor Combinations

Indoor Model	Furnace Model	CAPACITY (MBh)	Power (AMPS)	Indoor Model	Furnace Model	CAPACITY (MBh)	Power (AMPS)
EHD4X36A**	*9MX*0601714A**	1.02	0.96	ENH4X42*21**	*9MX*0801716A**	1.01	0.96
EHD4X36A**	*9MX*0801716A**	1.03	0.97	ENH4X42*21**	*9MA*1002120A**	1.01	0.95
EHD4X36A**	MV08B15**B*	1.00	0.92	ENH4X42*21**	*9MV*1002116A**	1.01	0.95
EHD4X36A**	MV12F19**B*	1.00	0.92	FEA4X30**A*	-	1.00	0.96
EHD4X36A**	NOMV106D12*	1.00	0.92	FEA4X36**A*	-	1.00	0.96
EHD4X36A**	*8MPV050	1.00	0.96	FEM4P30**A*	-	0.99	0.95
EHD4X36A**	*8MPV075	1.00	0.96	FEM4P36**A*	-	1.00	0.96
EHD4X36A**	*8MPV100	1.00	0.92	FEM4P42**A*	-	1.01	0.97
EHD4X36A**	*8MPV125	1.00	0.92	FEM4X30****	-	0.99	0.95
EHD4X36A**	*9MA*1002120A**	1.02	0.94	FEM4X36****	-	1.00	0.96
EHD4X36A**	*9MPV050	1.00	0.96	FS(M,U)4P30**A*	-	0.99	0.95
EHD4X36A**	*9MPV075	1.00	0.96	FS(M,U)4P36**A*	-	1.00	1.00
EHD4X36A**	*9MPV100	1.00	0.92	FS(M,U)4X30****	-	0.99	1.04
EHD4X36A**	*9MPV125	1.00	0.92	FSA4X30**A*	-	0.99	1.04
EHD4X36A**	*9MV*1002116A**	1.01	0.94	FSA4X36**A*	-	1.00	1.00
EHD4X36A**	*9MVX040	1.00	0.96	FSM4X36****	-	1.00	1.00
EHD4X36A**	*9MVX060	1.00	0.96	FSU4X36****	-	1.00	1.04
EHD4X36A**	*9MVX080	1.00	0.92	FVM4X24****	-	0.99	0.92
EHD4X36A**	*9MVX100	1.00	0.92	FVM4X36****	-	1.00	0.92
EHD4X36A**	OLV098A12A	1.01	0.97	FVM4X48****	-	1.01	0.93
EHD4X36A**	OLV112A16A	1.01	0.97	FXM4X30**A*	-	1.00	0.96
EHD4X36A**	OMV098J12A	1.01	0.97	FXM4X36**A*	-	1.01	0.93
				FXM4X42**A*	-	1.01	0.97

COOLING Multiplying Factors for other Indoor Combinations

Indoor Model	Furnace Model	CAPACITY (MBh)	Power (AMPS)	Indoor Model	Furnace Model	CAPACITY (MBh)	Power (AMPS)
(C,H,T)XA636							
*EN(A,D)4X37*17**	-	1.00	1.00	EHD4X48A**	*9MV*0801716A**	1.00	0.94
EA*4X36*14A*	*8MV*0701412**	0.97	0.93	EHD4X48A**	*9MV*0802120A**	1.00	0.92
EA*4X36*14A*	*8MX*0451408**	0.96	0.96	EHD4X48A**	*9MV*1002120A**	0.99	0.92
EA*4X36*14A*	-	0.97	0.99	EHD4X48A**	*9MV*1202422A**	1.00	0.92
EA*4X36*17A*	*8MV*0701412**	0.97	0.93	EHD4X48A**	*9MX*0601714A**	1.00	0.94
EA*4X36*17A*	*8MV*0901716**	0.97	0.91	EHD4X48A**	*9MX*0801716A**	0.99	0.94
EA*4X36*17A*	*8MX*0451408**	0.97	0.97	EHD4X48A**	*9MA*1002120A**	0.99	0.94
EA*4X36*17A*	*8MX*0701716**	0.97	0.95	EHD4X48A**	*9MV*1002116A**	1.00	0.94

COOLING Multiplying Factors for other Indoor Combinations

Indoor Model	Furnace Model	CAPACITY (MBh)	Power (AMPS)	Indoor Model	Furnace Model	CAPACITY (MBh)	Power (AMPS)
EA*4X36*17A*	*9MA*0601714A**	0.95	0.92	EMA4X36D**	-	0.97	1.01
EA*4X36*17A*	*9MA*0801714A**	0.96	0.92	EN(A,D)4X36*21**	*8MV*0901716**	0.97	0.93
EA*4X36*17A*	*9MV*0601714A**	0.97	0.97	EN(A,D)4X36*21**	*8MV*1102120**	0.97	0.93
EA*4X36*17A*	*9MV*0801716A**	0.97	0.93	EN(A,D)4X36*21**	*8MX*0701716**	0.97	0.93
EA*4X36*17A*	*9MX*0601714A**	0.97	0.93	EN(A,D)4X36*21**	*8MX*0902116**	0.97	0.93
EA*4X36*17A*	*9MX*0801716A**	0.97	0.93	EN(A,D)4X36*21**	*8MX*1102120**	0.97	0.93
EA*4X36*17A*	-	0.97	1.00	EN(A,D)4X36*21**	*9MA*0601714A**	0.95	0.92
EA*4X36*21A*	*8MV*0901716**	0.97	0.92	EN(A,D)4X36*21**	*9MA*0602120A**	0.96	0.92
EA*4X36*21A*	*8MV*1102120**	0.97	0.92	EN(A,D)4X36*21**	*9MA*0801714A**	0.96	0.92
EA*4X36*21A*	*8MX*0701716**	0.97	0.93	EN(A,D)4X36*21**	*9MA*0802120A**	0.97	0.91
EA*4X36*21A*	*8MX*0902116**	0.98	0.92	EN(A,D)4X36*21**	*9MA*1002122A**	0.97	0.91
EA*4X36*21A*	*8MX*1102120**	0.98	0.91	EN(A,D)4X36*21**	*9MV*0601714A**	0.96	0.96
EA*4X36*21A*	*9MA*0601714A**	0.96	0.92	EN(A,D)4X36*21**	*9MV*0801716A**	0.97	0.93
EA*4X36*21A*	*9MA*0602120A**	0.96	0.91	EN(A,D)4X36*21**	*9MV*0802120A**	0.97	0.91
EA*4X36*21A*	*9MA*0801714A**	0.97	0.89	EN(A,D)4X36*21**	*9MV*1002120A**	0.97	0.91
EA*4X36*21A*	*9MA*0802120A**	0.97	0.90	EN(A,D)4X36*21**	*9MX*0601714A**	0.97	0.97
EA*4X36*21A*	*9MA*1002122A**	0.97	0.93	EN(A,D)4X36*21**	*9MX*0801716A**	0.96	0.92
EA*4X36*21A*	*9MV*0601714A**	0.97	0.93	EN(A,D)4X36*21**	*9MX*1002120A**	0.98	0.94
EA*4X36*21A*	*9MV*0801716A**	0.97	0.93	EN(A,D)4X36*21**	MV12F19**B*	0.97	0.93
EA*4X36*21A*	*9MV*0802120A**	0.97	0.92	EN(A,D)4X36*21**	NOMV106D12*	0.97	0.93
EA*4X36*21A*	*9MV*1002120A**	0.97	0.92	EN(A,D)4X36*21**	NOMV156E19*	0.97	0.93
EA*4X36*21A*	*9MX*0601714A**	0.97	0.93	EN(A,D)4X36*21**	*8MPV075	0.97	0.93
EA*4X36*21A*	*9MX*0801716A**	0.97	0.93	EN(A,D)4X36*21**	*9MA*1002120A**	0.96	0.92
EA*4X36*21A*	*9MX*1002120A**	0.99	0.93	EN(A,D)4X36*21**	*9MPV050	0.97	1.01
EA*4X36*21A*	*9MA*1002120A**	0.97	0.91	EN(A,D)4X36*21**	*9MPV050	0.97	1.01
EA*4X36*21A*	*9MV*1002116A**	0.97	0.93	EN(A,D)4X36*21**	*9MPV075	0.97	1.01
EA*4X36*21A*	-	0.97	1.00	EN(A,D)4X36*21**	*9MPV075	0.97	1.01
EA*4X42*21A*	*8MV*0901716**	0.98	0.90	EN(A,D)4X36*21**	*9MPV100	0.98	0.94
EA*4X42*21A*	*8MV*1102120**	0.98	0.90	EN(A,D)4X36*21**	*9MV*1002116A**	0.97	0.93
EA*4X42*21A*	*8MX*0701716**	0.98	0.94	EN(A,D)4X36*21**	*9MVX040	0.97	1.01
EA*4X42*21A*	*8MX*0902116**	0.98	0.91	EN(A,D)4X36*21**	*9MVX040	0.97	1.01
EA*4X42*21A*	*8MX*1102120**	0.99	0.91	EN(A,D)4X36*21**	*9MVX060	0.97	0.97
EA*4X42*21A*	*9MA*0601714A**	0.97	0.93	EN(A,D)4X36*21**	*9MVX060	0.97	0.97
EA*4X42*21A*	*9MA*0602120A**	0.97	0.91	EN(A,D)4X36*21**	*9MVX080	0.98	0.94
EA*4X42*21A*	*9MA*0801714A**	0.97	0.91	EN(A,D)4X36*21**	OLV098A12A	0.96	0.96

COOLING Multiplying Factors for other Indoor Combinations

Indoor Model	Furnace Model	CAPACITY (MBh)	Power (AMPS)	Indoor Model	Furnace Model	CAPACITY (MBh)	Power (AMPS)
EA*4X42*21A*	*9MA*0802120A**	0.97	0.90	EN(A,D)4X36*21**	OLV112A16A	0.97	0.97
EA*4X42*21A*	*9MA*1002122A**	0.98	0.90	EN(A,D)4X36*21**	OMV098J12A	0.97	0.97
EA*4X42*21A*	*9MV*0601714A**	0.98	0.94	EN(A,D)4X36*21**	OMV112K14A	0.97	0.93
EA*4X42*21A*	*9MV*0801716A**	0.98	0.94	EN(A,D)4X36*21**	-	0.97	1.01
EA*4X42*21A*	*9MV*0802120A**	0.98	0.90	EN(A,D)4X37*17**	*8MV*0701412**	1.00	0.96
EA*4X42*21A*	*9MV*1002120A**	0.98	0.90	EN(A,D)4X37*17**	*8MV*0901716**	1.00	0.96
EA*4X42*21A*	*9MX*0601714A**	0.98	0.94	EN(A,D)4X37*17**	*8MX*0451408**	1.00	0.96
EA*4X42*21A*	*9MX*0801716A**	0.97	0.92	EN(A,D)4X37*17**	*8MX*0701716**	1.00	0.96
EA*4X42*21A*	-	0.98	1.01	EN(A,D)4X37*17**	*9MA*0601714A**	0.99	0.93
EA*4X42*24A*	*8MV*1102120**	0.98	0.90	EN(A,D)4X37*17**	*9MA*0801714A**	1.00	0.94
EA*4X42*24A*	*8MV*1352422**	0.98	0.90	EN(A,D)4X37*17**	*9MX*0601714A**	1.00	0.94
EA*4X42*24A*	*8MX*0902116**	0.99	0.91	EN(A,D)4X37*17**	*9MX*0801716A**	1.00	0.92
EA*4X42*24A*	*8MX*1102120**	0.99	0.91	EN(A,D)4X37*17**	MV08B15**B*	1.00	0.96
EA*4X42*24A*	*9MA*0602120A**	0.97	0.91	EN(A,D)4X37*17**	NOMV106D12*	1.00	1.00
EA*4X42*24A*	*9MA*0802120A**	0.97	0.90	EN(A,D)4X37*17**	*8MPV050	1.00	1.00
EA*4X42*24A*	*9MA*1002122A**	0.98	0.90	EN(A,D)4X37*17**	*9MPV050	1.00	0.96
EA*4X42*24A*	*9MA*1202422A**	0.97	0.92	EN(A,D)4X37*17**	*9MPV075	1.00	1.00
EA*4X42*24A*	*9MV*0802120A**	0.98	0.90	EN(A,D)4X37*17**	*9MVX040	1.01	0.97
EA*4X42*24A*	*9MV*1002120A**	0.98	0.90	EN(A,D)4X37*17**	*9MVX060	0.99	0.95
EA*4X42*24A*	*9MV*1202422A**	0.99	0.94	EN(A,D)4X37*17**	OLV098A12A	1.00	0.96
EA*4X42*24A*	*9MA*1002120A**	0.97	0.92	EN(A,D)4X43*24**	OMV112K14A	1.00	0.96
EA*4X42*24A*	*9MV*1002116A**	0.98	1.01	EN(A,D)4X43*24**	*8MV*1102120**	1.01	0.93
EA*4X48*17A*	*9MA*0601714A**	0.98	0.93	EN(A,D)4X43*24**	*8MX*1352422**	1.01	0.93
EA*4X48*17A*	*9MA*0801714A**	0.99	0.95	EN(A,D)4X43*24**	*8MX*0902116**	0.99	0.92
EA*4X48*17A*	*9MV*0601714A**	0.99	0.94	EN(A,D)4X43*24**	*9MA*0602120A**	1.00	0.89
EA*4X48*17A*	*9MV*0801716A**	0.99	0.94	EN(A,D)4X43*24**	*9MA*0802120A**	1.01	0.89
EA*4X48*17A*	*9MX*0601714A**	0.99	0.95	EN(A,D)4X43*24**	*9MA*1002122A**	1.00	0.92
EA*4X48*17A*	*9MX*0801716A**	0.99	0.94	EN(A,D)4X43*24**	*9MA*1202422A**	1.01	0.91
EA*4X48*17A*	-	1.00	1.00	EN(A,D)4X43*24**	*9MV*0802120A**	1.01	0.91
EA*4X48*21A*	*9MA*0601714A**	0.98	0.92	EN(A,D)4X43*24**	*9MV*1002120A**	1.00	0.92

COOLING Multiplying Factors for other Indoor Combinations

Indoor Model	Furnace Model	Indoor Model	Power (AMPS)	CAPACITY (MBh)	Power (AMPS)	Furnace Model	Indoor Model	Power (AMPS)	CAPACITY (MBh)
EA*4X48*21A*	*9MA*0602120A**	EN(A,D)4X43*24**	0.92	0.98	0.92	*9MA*1002120A**	EN(A,D)4X43*24**	0.92	1.03
EA*4X48*21A*	*9MA*0801714A**	EN(A,D)4X43*24**	0.92	0.98	0.92	MV16J22**B*	EN(A,D)4X43*24**	0.92	1.01
EA*4X48*21A*	*9MA*0802120A**	EN(A,D)4X43*24**	0.91	0.98	0.91	MV20L24**B*	EN(A,D)4X43*24**	0.91	1.01
EA*4X48*21A*	*9MA*1002122A**	EN(A,D)4X43*24**	0.91	0.99	0.91	NOMV156E19*	EN(A,D)4X43*24**	0.91	1.01
EA*4X48*21A*	*9MV*0601714A**	EN(A,D)4X43*24**	0.95	0.99	0.95	*8MPV100	EN(A,D)4X43*24**	0.95	1.01
EA*4X48*21A*	*9MV*0801716A**	EN(A,D)4X43*24**	0.93	0.99	0.93	*8MPV125	EN(A,D)4X43*24**	0.93	1.01
EA*4X48*21A*	*9MV*0802120A**	EN(A,D)4X43*24**	0.91	0.99	0.91	*9MA*1002120A**	EN(A,D)4X43*24**	0.91	1.00
EA*4X48*21A*	*9MV*1002120A**	EN(A,D)4X43*24**	0.91	0.99	0.91	*9MPV100	EN(A,D)4X43*24**	0.91	1.01
EA*4X48*21A*	*9MX*0601714A**	EN(A,D)4X43*24**	0.95	0.99	0.95	*9MPV100	EN(A,D)4X43*24**	0.95	1.01
EA*4X48*21A*	*9MX*0801716A**	EN(A,D)4X43*24**	0.93	0.98	0.93	*9MPV125	EN(A,D)4X43*24**	0.93	1.01
EA*4X48*21A*	*9MA*1002120A**	EN(A,D)4X43*24**	0.93	0.98	0.93	*9MPV125	EN(A,D)4X43*24**	0.93	1.01
EA*4X48*21A*	*9MV*1002116A**	EN(A,D)4X43*24**	0.94	0.99	0.94	*9MV*1002116A**	EN(A,D)4X43*24**	0.94	1.00
EA*4X48*21A*	-	EN(A,D)4X43*24**	1.02	0.99	1.02	*9MVX080	EN(A,D)4X43*24**	0.97	1.01
EA*4X48*24A*	*9MA*1202422A**	EN(A,D)4X43*24**	0.91	0.98	0.91	*9MVX080	EN(A,D)4X43*24**	0.97	1.01
EA*4X48*24A*	*9MV*1202422A**	EN(A,D)4X43*24**	0.92	0.99	0.92	*9MVX100	EN(A,D)4X43*24**	0.92	1.01
EA*4X48*24A*	*9MA*1002120A**	EN(A,D)4X43*24**	0.93	0.98	0.93	*9MVX100	EN(A,D)4X43*24**	0.93	1.01
EA*4X48*24A*	*9MV*1002116A**	EN(A,D)4X43*24**	0.94	0.99	0.94	OLV112A16A	EN(A,D)4X43*24**	0.97	1.01
EA*4X48*24A*	-	EN(A,D)4X43*24**	1.02	0.99	1.02	OLV154F20A	EN(A,D)4X43*24**	0.93	1.01
ED*4X36B**	MV08B15**B*	EN(A,D)4X43*24**	0.93	0.97	0.93	-	EN(A,D)4X43*24**	1.01	1.01
ED*4X36B**	*8MPV050	EN(A,D)4X48*24**	1.00	0.96	1.00	*9MA*1202422A**	EN(A,D)4X48*24**	0.91	0.99
ED*4X36B**	-	EN(A,D)4X48*24**	1.01	0.97	1.01	*9MV*1202422A**	EN(A,D)4X48*24**	0.92	0.99
ED*4X36F**	*9MA*0601714A**	EN(A,D)4X48*24**	0.92	0.95	0.92	*9MA*1002120A**	EN(A,D)4X48*24**	0.93	0.99
ED*4X36F**	*9MA*0602120A**	EN(A,D)4X48*24**	0.92	0.96	0.92	*9MV*1002116A**	EN(A,D)4X48*24**	0.94	1.00
ED*4X36F**	*9MA*0801714A**	EN(A,D,W)4X36*17**	0.92	0.96	0.92	*8MV*0701412**	EN(A,D,W)4X36*17**	0.93	0.97
ED*4X36F**	*9MA*0802120A**	EN(A,D,W)4X36*17**	0.91	0.97	0.91	*8MV*0901716**	EN(A,D,W)4X36*17**	0.93	0.97
ED*4X36F**	*9MA*1002122A**	EN(A,D,W)4X36*17**	0.91	0.97	0.91	*8MX*0451408**	EN(A,D,W)4X36*17**	0.97	0.97
ED*4X36F**	*9MV*0601714A**	EN(A,D,W)4X36*17**	0.97	0.97	0.97	*8MX*0701716**	EN(A,D,W)4X36*17**	0.97	0.97
ED*4X36F**	*9MV*0801716A**	EN(A,D,W)4X36*17**	0.93	0.97	0.93	*9MA*0601714A**	EN(A,D,W)4X36*17**	0.95	0.95
ED*4X36F**	*9MV*0802120A**	EN(A,D,W)4X36*17**	0.91	0.97	0.91	*9MA*0801714A**	EN(A,D,W)4X36*17**	0.92	0.96
ED*4X36F**	*9MV*1002120A**	EN(A,D,W)4X36*17**	0.91	0.97	0.91	*9MV*0601714A**	EN(A,D,W)4X36*17**	0.96	0.96
ED*4X36F**	*9MX*0601714A**	EN(A,D,W)4X36*17**	0.93	0.97	0.93	*9MV*0801716A**	EN(A,D,W)4X36*17**	0.93	0.97
ED*4X36F**	*9MX*0801716A**	EN(A,D,W)4X36*17**	0.93	0.97	0.93	*9MX*0601714A**	EN(A,D,W)4X36*17**	0.97	0.97
ED*4X36F**	MV12F19**B*	EN(A,D,W)4X36*17**	0.89	0.97	0.89	*9MX*0801716A**	EN(A,D,W)4X36*17**	0.92	0.96
ED*4X36F**	*8MPV075	EN(A,D,W)4X36*17**	0.93	0.97	0.93	MV08B15**B*	EN(A,D,W)4X36*17**	0.93	0.97
ED*4X36F**	*9MA*1002120A**	EN(A,D,W)4X36*17**	0.93	0.97	0.93	NOMV106D12*	EN(A,D,W)4X36*17**	0.93	0.97

COOLING Multiplying Factors for other Indoor Combinations

Indoor Model	Furnace Model	CAPACITY (MBh)	Power (AMPS)	Indoor Model	Furnace Model	CAPACITY (MBh)	Power (AMPS)
ED*4X36F**	*9MPV050	0.97	0.97	EN(A,D,W)4X36*17**	*8MPV050	0.97	1.01
ED*4X36F**	*9MPV075	0.97	0.97	EN(A,D,W)4X36*17**	*9MPV050	0.96	0.96
ED*4X36F**	*9MV*1002116A**	0.97	0.93	EN(A,D,W)4X36*17**	*9MPV075	0.96	0.96
ED*4X36F**	*9MVX040	0.97	1.01	EN(A,D,W)4X36*17**	*9MVX040	0.96	0.96
ED*4X36F**	*9MVX060	0.97	0.97	EN(A,D,W)4X36*17**	*9MVX060	0.97	0.97
ED*4X36F**	OLV098A12A	0.96	0.96	EN(A,D,W)4X36*17**	OLV098A12A	0.96	0.96
ED*4X36F**	OLV112A16A	0.97	0.93	EN(A,D,W)4X36*17**	OMV098J12A	0.96	0.96
ED*4X36F**	OMV098J12A	0.97	0.97	EN(A,D,W)4X36*17**	OMV112K14A	0.97	0.93
ED*4X36F**	OMV112K14A	0.97	0.93	EN(A,D,W)4X36*17**	-	0.97	1.01
ED*4X36F**	-	0.97	1.01	EN(A,D,W)4X42*21**	*8MV*0901716**	0.98	0.94
ED*4X36J**	*9MA*0602120A**	0.96	0.91	EN(A,D,W)4X42*21**	*8MV*1102120**	0.98	0.94
ED*4X36J**	*9MA*0802120A**	0.97	0.89	EN(A,D,W)4X42*21**	*8MX*0701716**	0.98	0.94
ED*4X36J**	*9MA*1002122A**	0.97	0.90	EN(A,D,W)4X42*21**	*8MX*0902116**	0.99	0.95
ED*4X36J**	*9MA*1202422A**	0.97	0.91	EN(A,D,W)4X42*21**	*8MX*1102120**	0.99	0.95
ED*4X36J**	*9MV*0802120A**	0.97	0.92	EN(A,D,W)4X42*21**	*9MA*0601714A**	0.97	0.93
ED*4X36J**	*9MV*1002120A**	0.97	0.92	EN(A,D,W)4X42*21**	*9MA*0602120A**	0.97	0.92
ED*4X36J**	*9MV*1202422A**	0.97	0.92	EN(A,D,W)4X42*21**	*9MA*0801714A**	0.97	0.93
ED*4X36J**	MV16J22**B*	0.97	0.89	EN(A,D,W)4X42*21**	*9MA*0802120A**	0.97	0.90
ED*4X36J**	*8MPV100	0.97	0.93	EN(A,D,W)4X42*21**	*9MA*1002122A**	0.98	0.92
ED*4X36J**	*8MPV125	0.97	0.93	EN(A,D,W)4X42*21**	*9MV*0601714A**	0.97	0.93
ED*4X36J**	*9MA*1002120A**	0.97	0.91	EN(A,D,W)4X42*21**	*9MV*0801716A**	0.98	0.94
ED*4X36J**	*9MPV100	0.97	0.93	EN(A,D,W)4X42*21**	*9MV*0802120A**	0.98	0.92
ED*4X36J**	*9MV*1002116A**	0.97	0.93	EN(A,D,W)4X42*21**	*9MV*1002120A**	0.98	0.92
ED*4X36J**	*9MVX080	0.97	0.93	EN(A,D,W)4X42*21**	*9MX*0601714A**	0.98	0.94
ED*4X36J**	OLV112A16A	0.97	0.93	EN(A,D,W)4X42*21**	*9MX*0801716A**	0.97	0.93
ED*4X42F**	*9MA*0601714A**	0.96	0.92	EN(A,D,W)4X42*21**	MV12F19**B*	0.99	0.91
ED*4X42F**	*9MA*0602120A**	0.97	0.91	EN(A,D,W)4X42*21**	NOMV106D12*	0.98	0.94
ED*4X42F**	*9MA*0801714A**	0.97	0.91	EN(A,D,W)4X42*21**	NOMV156E19*	0.98	0.94
ED*4X42F**	*9MA*0802120A**	0.97	0.90	EN(A,D,W)4X42*21**	*8MPV075	0.99	0.95
ED*4X42F**	*9MA*1002122A**	0.98	0.90	EN(A,D,W)4X42*21**	*9MA*1002120A**	0.97	0.92
ED*4X42F**	*9MV*0601714A**	0.97	0.93	EN(A,D,W)4X42*21**	*9MPV050	0.98	0.98
ED*4X42F**	*9MV*0801716A**	0.98	0.94	EN(A,D,W)4X42*21**	*9MPV050	0.98	0.98
ED*4X42F**	*9MV*0802120A**	0.98	0.92	EN(A,D,W)4X42*21**	*9MPV075	0.98	0.98
ED*4X42F**	*9MV*1002120A**	0.97	0.92	EN(A,D,W)4X42*21**	*9MPV075	0.98	0.98
ED*4X42F**	*9MV*1202422A**	0.98	0.90	EN(A,D,W)4X42*21**	*9MPV075	0.98	0.98

COOLING Multiplying Factors for other Indoor Combinations

Indoor Model	Furnace Model	CAPACITY (MBh)	Power (AMPS)	Indoor Model	Furnace Model	CAPACITY (MBh)	Power (AMPS)
ED*4X42F**	*9MX*0601714A**	0.98	0.94	EN(A,D,W)4X42*21**	*9MPV100	0.99	0.95
ED*4X42F**	*9MX*0801716A**	0.97	0.93	EN(A,D,W)4X42*21**	*9MV*1002116A**	0.98	0.94
ED*4X42F**	MV12F19**B*	0.98	0.90	EN(A,D,W)4X42*21**	*9MVX040	0.98	0.98
ED*4X42F**	*8MPV075	0.98	0.94	EN(A,D,W)4X42*21**	*9MVX040	0.98	0.98
ED*4X42F**	*9MA*1002120A**	0.97	0.92	EN(A,D,W)4X42*21**	*9MVX060	0.98	0.98
ED*4X42F**	*9MPV050	0.98	0.98	EN(A,D,W)4X42*21**	*9MVX060	0.98	0.98
ED*4X42F**	*9MPV075	0.98	0.98	EN(A,D,W)4X42*21**	*9MVX080	0.99	0.95
ED*4X42F**	*9MV*1002116A**	0.98	0.94	EN(A,D,W)4X42*21**	OLV098A12A	0.97	0.97
ED*4X42F**	*9MVX040	0.98	0.98	EN(A,D,W)4X42*21**	OLV112A16A	0.98	0.94
ED*4X42F**	*9MVX060	0.98	0.98	EN(A,D,W)4X42*21**	OMV098J12A	0.97	0.97
ED*4X42F**	OLV098A12A	0.97	0.97	EN(A,D,W)4X42*21**	OMV112K14A	0.98	0.94
ED*4X42F**	OLV112A16A	0.98	0.94	EN(A,D,W)4X42*21**	-	0.99	1.03
ED*4X42F**	OMV098J12A	0.97	0.97	EN(A,D,W)4X48*21**	*9MA*0601714A**	0.98	0.92
ED*4X42F**	OMV112K14A	0.98	0.94	EN(A,D,W)4X48*21**	*9MA*0602120A**	0.98	0.91
ED*4X42F**	-	0.98	1.02	EN(A,D,W)4X48*21**	*9MA*0801714A**	0.98	0.93
ED*4X42J**	*9MA*0602120A**	0.97	0.91	EN(A,D,W)4X48*21**	*9MA*0802120A**	0.99	0.90
ED*4X42J**	*9MA*0802120A**	0.97	0.90	EN(A,D,W)4X48*21**	*9MA*1002122A**	0.99	0.90
ED*4X42J**	*9MA*1002122A**	0.98	0.90	EN(A,D,W)4X48*21**	*9MV*0601714A**	0.99	0.95
ED*4X42J**	*9MA*1202422A**	0.97	0.92	EN(A,D,W)4X48*21**	*9MV*0801716A**	0.99	0.94
ED*4X42J**	*9MV*0802120A**	0.98	0.90	EN(A,D,W)4X48*21**	*9MV*0802120A**	0.99	0.92
ED*4X42J**	*9MV*1002120A**	0.98	0.90	EN(A,D,W)4X48*21**	*9MV*1002120A**	0.99	0.92
ED*4X42J**	*9MV*1202422A**	0.98	0.92	EN(A,D,W)4X48*21**	*9MX*0601714A**	0.99	0.95
ED*4X42J**	MV16J22**B*	0.98	0.90	EN(A,D,W)4X48*21**	*9MX*0801716A**	0.99	0.93
ED*4X42J**	*8MPV100	0.98	0.94	EN(A,D,W)4X48*21**	*9MA*1002120A**	0.99	0.93
ED*4X42J**	*8MPV125	0.98	0.94	EN(A,D,W)4X48*21**	*9MV*1002116A**	1.00	0.94
ED*4X42J**	*9MA*1002120A**	0.97	0.92	END4X42*17**	*8MV*0701412**	0.99	0.95
ED*4X42J**	*9MPV100	0.98	0.94	END4X42*17**	*8MV*0901716**	0.99	0.95
ED*4X42J**	*9MV*1002116A**	0.98	0.93	END4X42*17**	*8MX*0451408**	0.99	0.99
ED*4X42J**	*9MVX080	0.98	0.94	END4X42*17**	*8MX*0701716**	0.99	0.95
ED*4X42J**	OLV112A16A	0.98	0.94	END4X42*17**	*9MA*0601714A**	0.97	0.93
ED*4X42J**	-	0.98	1.02	END4X42*17**	*9MA*0801714A**	0.98	0.92
ED*4X42L**	*8MV*1352422**	0.98	0.94	END4X42*17**	*9MV*0601714A**	0.98	0.94
ED*4X42L**	*9MA*0602120A**	0.97	0.91	END4X42*17**	*9MV*0801716A**	0.98	0.94
ED*4X42L**	*9MA*0802120A**	0.97	0.90	END4X42*17**	*9MX*0601714A**	0.98	0.94
ED*4X42L**	*9MA*1002122A**	0.98	0.90	END4X42*17**	*9MX*0801716A**	0.98	0.92

COOLING Multiplying Factors for other Indoor Combinations

Indoor Model	Furnace Model	CAPACITY (MBh)	Power (AMPS)	Indoor Model	Furnace Model	CAPACITY (MBh)	Power (AMPS)
ED*4X42L**	*9MA*1202422A**	0.97	0.92	END4X42*17**	MV08B15**B*	0.99	0.91
ED*4X42L**	*9MV*0802120A**	0.98	0.90	END4X42*17**	NOMV106D12*	0.98	0.94
ED*4X42L**	*9MV*1002120A**	0.98	0.90	END4X42*17**	*8MPV050	0.98	0.98
ED*4X42L**	*9MV*1202422A**	0.98	0.93	END4X42*17**	*9MPV050	0.98	0.98
ED*4X42L**	MV20L24**B*	0.98	0.90	END4X42*17**	*9MPV075	0.98	0.98
ED*4X42L**	*9MA*1002120A**	0.97	0.92	END4X42*17**	*9MVX040	0.98	0.98
ED*4X42L**	*9MPV125	0.98	0.94	END4X42*17**	*9MVX060	0.99	0.99
ED*4X42L**	*9MV*1002116A**	0.98	0.93	END4X42*17**	OLV098A12A	0.98	0.94
ED*4X42L**	*9MVX100	0.98	0.94	END4X42*17**	OMV098J12A	0.98	0.94
ED*4X42L**	OLV112A16A	0.98	0.94	END4X42*17**	OMV112K14A	0.98	0.94
ED*4X42L**	OLV154F20A	1.00	0.96	END4X42*17**	-	0.99	1.03
ED*4X42L**	-	0.98	1.02	ENH4X36*17**	*8MV*0701412**	0.97	0.93
ED*4X48F**	*8MV*0901716**	0.99	0.95	ENH4X36*17**	*8MV*0901716**	0.97	0.93
ED*4X48F**	*8MX*0701716**	0.99	0.95	ENH4X36*17**	*8MV*1102120**	0.97	0.93
ED*4X48F**	*9MA*0601714A**	0.98	0.93	ENH4X36*17**	*8MV*1352422**	0.97	0.93
ED*4X48F**	*9MA*0602120A**	0.99	0.93	ENH4X36*17**	*8MX*0451408**	0.97	0.97
ED*4X48F**	*9MA*0801714A**	0.98	0.93	ENH4X36*17**	*8MX*0701716**	0.97	0.97
ED*4X48F**	*9MA*0802120A**	0.99	0.91	ENH4X36*17**	*8MX*0902116**	0.97	0.93
ED*4X48F**	*9MA*1002122A**	0.99	0.92	ENH4X36*17**	*8MX*1102120**	0.97	0.93
ED*4X48F**	*9MV*0601714A**	0.99	0.95	ENH4X36*17**	*9MA*0601714A**	0.95	0.95
ED*4X48F**	*9MV*0801716A**	0.99	0.94	ENH4X36*17**	*9MA*0801714A**	0.96	0.92
ED*4X48F**	*9MV*0802120A**	0.99	0.92	ENH4X36*17**	*9MA*1202422A**	0.96	0.91
ED*4X48F**	*9MV*1002120A**	0.99	0.92	ENH4X36*17**	*9MV*0601714A**	0.96	0.96
ED*4X48F**	*9MX*0601714A**	0.99	0.95	ENH4X36*17**	*9MV*0801716A**	0.97	0.93
ED*4X48F**	*9MX*0801716A**	0.99	0.94	ENH4X36*17**	*9MV*1202422A**	0.97	0.91
ED*4X48F**	MV12F19**B*	0.99	0.92	ENH4X36*17**	*9MX*0601714A**	0.97	0.97
ED*4X48F**	*8MPV075	0.99	0.95	ENH4X36*17**	*9MX*0801716A**	0.96	0.92
ED*4X48F**	*9MA*1002120A**	0.99	0.93	ENH4X36*17**	MV08B15**B*	0.97	0.93
ED*4X48F**	*9MPV075	0.99	0.95	ENH4X36*17**	MV12F19**B*	0.97	0.93
ED*4X48F**	*9MV*1002116A**	1.00	0.94	ENH4X36*17**	MV16J22**B*	0.97	0.93
ED*4X48F**	*9MVX060	0.99	0.95	ENH4X36*17**	MV20L24**B*	0.97	0.93
ED*4X48F**	-	0.99	1.04	ENH4X36*17**	NOMV106D12*	0.97	0.93
ED*4X48J**	*8MV*1102120**	0.99	0.92	ENH4X36*17**	NOMV156E19*	0.97	0.93
ED*4X48J**	*8MX*0902116**	0.99	0.92	ENH4X36*17**	*8MPV050	0.97	1.01
ED*4X48J**	*8MX*1102120**	0.99	0.92	ENH4X36*17**	*8MPV075	0.97	0.93

COOLING Multiplying Factors for other Indoor Combinations

Indoor Model	Furnace Model	CAPACITY (MBh)	Power (AMPS)	Indoor Model	Furnace Model	CAPACITY (MBh)	Power (AMPS)
ED*4X48J**	*9MA*0602120A**	0.98	0.92	ENH4X36*17**	*8MPV100	0.97	0.93
ED*4X48J**	*9MA*0802120A**	0.98	0.91	ENH4X36*17**	*8MPV125	0.97	0.93
ED*4X48J**	*9MA*1002122A**	0.99	0.91	ENH4X36*17**	*9MA*1002120A**	0.96	0.92
ED*4X48J**	*9MA*1202422A**	0.98	0.91	ENH4X36*17**	*9MPV050	0.96	0.96
ED*4X48J**	*9MV*0802120A**	0.99	0.91	ENH4X36*17**	*9MPV050	0.96	0.96
ED*4X48J**	*9MV*1002120A**	0.99	0.91	ENH4X36*17**	*9MPV075	0.96	0.96
ED*4X48J**	*9MV*1202422A**	0.99	0.91	ENH4X36*17**	*9MPV075	0.96	0.96
ED*4X48J**	MV12F19**B*	0.99	0.92	ENH4X36*17**	*9MPV100	0.98	0.94
ED*4X48J**	MV16J22**B*	0.99	0.92	ENH4X36*17**	*9MPV100	0.98	0.94
ED*4X48J**	NOMV156E19*	0.99	0.95	ENH4X36*17**	*9MPV125	0.98	0.94
ED*4X48J**	*8MPV075	0.99	0.95	ENH4X36*17**	*9MPV125	0.98	0.94
ED*4X48J**	*8MPV100	0.99	0.95	ENH4X36*17**	*9MV*1002116A**	0.97	0.93
ED*4X48J**	*8MPV125	0.99	0.92	ENH4X36*17**	*9MVX040	0.97	1.01
ED*4X48J**	*9MA*1002120A**	0.98	0.93	ENH4X36*17**	*9MVX040	0.97	1.01
ED*4X48J**	*9MPV075	0.99	0.95	ENH4X36*17**	*9MVX060	0.97	0.97
ED*4X48J**	*9MPV100	0.99	0.95	ENH4X36*17**	*9MVX060	0.97	0.97
ED*4X48J**	*9MV*1002116A**	0.99	0.94	ENH4X36*17**	*9MVX080	0.97	0.93
ED*4X48J**	*9MVX060	0.99	0.95	ENH4X36*17**	*9MVX080	0.97	0.93
ED*4X48J**	*9MVX080	0.99	0.95	ENH4X36*17**	*9MVX100	0.97	0.93
ED*4X48J**	-	0.99	1.04	ENH4X36*17**	*9MVX100	0.97	0.93
ED*4X48L**	*8MV*1102120**	0.99	0.92	ENH4X36*17**	OLV098A12A	0.96	0.96
ED*4X48L**	*8MV*1352422**	0.99	0.92	ENH4X36*17**	OLV112A16A	0.97	0.97
ED*4X48L**	*8MX*0902116**	0.99	0.92	ENH4X36*17**	OLV154F20A	0.99	0.95
ED*4X48L**	*8MX*1102120**	0.99	0.92	ENH4X36*17**	OMV098J12A	0.96	0.96
ED*4X48L**	*8MX*1352420**	0.99	0.95	ENH4X36*17**	OMV112K14A	0.97	0.93
ED*4X48L**	*9MA*1202422A**	0.98	0.91	ENH4X36*17**	-	0.97	1.02
ED*4X48L**	*9MV*1202422A**	0.99	0.92	ENH4X42*21**	*8MV*0701412**	0.98	0.94
ED*4X48L**	MV16J22**B*	0.99	0.95	ENH4X42*21**	*8MV*0901716**	0.98	0.94
ED*4X48L**	MV20L24**B*	0.99	0.95	ENH4X42*21**	*8MV*1102120**	0.98	0.94
ED*4X48L**	NOMV156E19*	0.99	0.95	ENH4X42*21**	*8MV*1352422**	0.98	0.94
ED*4X48L**	*8MPV100	0.99	0.95	ENH4X42*21**	*8MX*0451408**	0.98	0.98
ED*4X48L**	*8MPV125	0.99	0.95	ENH4X42*21**	*8MX*0701716**	0.98	0.94
ED*4X48L**	*9MA*1002120A**	0.98	0.93	ENH4X42*21**	*8MX*0902116**	0.98	0.94
ED*4X48L**	*9MPV100	0.99	0.95	ENH4X42*21**	*8MX*1102120**	0.98	0.94
ED*4X48L**	*9MPV125	0.99	0.95	ENH4X42*21**	*9MA*0601714A**	0.97	0.93

COOLING Multiplying Factors for other Indoor Combinations

Indoor Model	Furnace Model	CAPACITY (MBh)	Power (AMPS)	Indoor Model	Furnace Model	CAPACITY (MBh)	Power (AMPS)
ED*4X48L**	*9MV*1002116A**	0.99	0.94	ENH4X42*21**	*9MA*0602120A**	0.97	0.92
ED*4X48L**	*9MVX080	0.99	0.95	ENH4X42*21**	*9MA*0801714A**	0.97	0.93
ED*4X48L**	*9MVX100	0.99	0.95	ENH4X42*21**	*9MA*0802120A**	0.97	0.90
ED*4X48L**	-	0.99	1.04	ENH4X42*21**	*9MA*1002122A**	0.98	0.92
ED*4X60J**	*8MV*1102120**	1.01	0.93	ENH4X42*21**	*9MA*1202422A**	0.97	0.92
ED*4X60J**	*8MX*0902116**	1.01	0.93	ENH4X42*21**	*9MV*0601714A**	0.97	0.93
ED*4X60J**	*8MX*1102120**	1.01	0.93	ENH4X42*21**	*9MV*0801716A**	0.98	0.94
ED*4X60J**	MV12F19**B*	1.01	0.93	ENH4X42*21**	*9MV*0802120A**	0.98	0.92
ED*4X60J**	MV16J22**B*	1.01	0.93	ENH4X42*21**	*9MV*1002120A**	0.98	0.92
ED*4X60J**	NOMV156E19*	1.00	0.92	ENH4X42*21**	*9MV*1202422A**	0.98	0.92
ED*4X60J**	*8MPV075	1.01	0.97	ENH4X42*21**	*9MX*0601714A**	0.98	0.94
ED*4X60J**	*8MPV100	1.01	0.93	ENH4X42*21**	*9MX*0801716A**	0.97	0.93
ED*4X60J**	*8MPV125	1.01	0.93	ENH4X42*21**	*9MX*1002120A**	0.99	0.94
ED*4X60J**	*9MPV075	1.01	0.97	ENH4X42*21**	MV08B15**B*	0.98	0.94
ED*4X60J**	*9MPV100	1.01	0.97	ENH4X42*21**	MV12F19**B*	0.98	0.90
ED*4X60J**	*9MVX060	1.01	0.97	ENH4X42*21**	MV16J22**B*	0.98	0.90
ED*4X60J**	*9MVX080	1.01	0.97	ENH4X42*21**	MV20L24**B*	0.98	0.90
ED*4X60J**	-	1.01	1.01	ENH4X42*21**	NOMV106D12*	0.98	0.94
ED*4X60L**	*8MV*1102120**	1.01	0.93	ENH4X42*21**	NOMV156E19*	0.98	0.94
ED*4X60L**	*8MV*1352422**	1.01	0.93	ENH4X42*21**	*8MPV050	0.98	0.98
ED*4X60L**	*8MX*0902116**	1.01	0.93	ENH4X42*21**	*8MPV075	0.98	0.94
ED*4X60L**	*8MX*1102120**	1.01	0.93	ENH4X42*21**	*8MPV100	0.98	0.94
ED*4X60L**	*8MX*1352420**	1.01	0.93	ENH4X42*21**	*8MPV125	0.98	0.94
ED*4X60L**	MV16J22**B*	1.01	0.93	ENH4X42*21**	*9MA*1002120A**	0.97	0.92
ED*4X60L**	MV20L24**B*	1.01	0.93	ENH4X42*21**	*9MPV050	0.97	0.97
ED*4X60L**	NOMV156E19*	1.00	0.92	ENH4X42*21**	*9MPV050	0.97	0.97
ED*4X60L**	*8MPV100	1.01	0.93	ENH4X42*21**	*9MPV075	0.98	0.98
ED*4X60L**	*8MPV125	1.01	0.93	ENH4X42*21**	*9MPV075	0.98	0.98
ED*4X60L**	*9MPV100	1.01	0.97	ENH4X42*21**	*9MPV100	0.99	0.95
ED*4X60L**	*9MPV125	1.01	0.97	ENH4X42*21**	*9MPV100	0.99	0.95
ED*4X60L**	*9MVX080	1.01	0.97	ENH4X42*21**	*9MPV125	0.99	0.95
ED*4X60L**	*9MVX100	1.01	0.93	ENH4X42*21**	*9MPV125	0.99	0.95
ED*4X60L**	-	1.01	1.01	ENH4X42*21**	*9MV*1002116A**	0.98	0.94
EHD4X36A**	*8MV*0701412**	0.97	0.93	ENH4X42*21**	*9MVX040	0.98	0.98
EHD4X36A**	*8MV*0901716**	0.97	0.93	ENH4X42*21**	*9MVX040	0.98	0.98

COOLING Multiplying Factors for other Indoor Combinations

Indoor Model	Furnace Model	CAPACITY (MBh)	Power (AMPS)	Indoor Model	Furnace Model	CAPACITY (MBh)	Power (AMPS)
EHD4X36A**	*8MV*1102120**	0.97	0.93	ENH4X42*21**	*9MVX060	0.98	0.98
EHD4X36A**	*8MV*1352422**	0.97	0.93	ENH4X42*21**	*9MVX060	0.98	0.98
EHD4X36A**	*8MX*0451408**	0.97	0.97	ENH4X42*21**	*9MVX080	0.98	0.94
EHD4X36A**	*8MX*0701716**	0.97	0.93	ENH4X42*21**	*9MVX080	0.98	0.94
EHD4X36A**	*8MX*0902116**	0.97	0.93	ENH4X42*21**	*9MVX100	0.98	0.94
EHD4X36A**	*8MX*1102120**	0.97	0.93	ENH4X42*21**	*9MVX100	0.98	0.94
EHD4X36A**	*9MA*0601714A**	0.98	0.94	ENH4X42*21**	OLV098A12A	0.97	0.97
EHD4X36A**	*9MA*0602120A**	0.98	0.93	ENH4X42*21**	OLV112A16A	0.98	0.94
EHD4X36A**	*9MA*0801714A**	0.98	0.92	ENH4X42*21**	OLV154F20A	1.00	0.96
EHD4X36A**	*9MA*0802120A**	0.98	0.91	ENH4X42*21**	OMV098J12A	0.97	0.97
EHD4X36A**	*9MA*1002122A**	0.99	0.91	ENH4X42*21**	OMV112K14A	0.98	0.94
EHD4X36A**	*9MA*1202422A**	0.98	0.93	ENH4X42*21**	-	0.98	1.01
EHD4X36A**	*9MV*0601714A**	0.99	0.95	ENH4X43*21**	*8MV*0701412**	0.98	0.94
EHD4X36A**	*9MV*0801716A**	0.99	0.93	ENH4X43*21**	*8MV*0901716**	0.98	0.90
EHD4X36A**	*9MV*0802120A**	0.99	0.91	ENH4X43*21**	*8MV*1102120**	0.98	0.90
EHD4X36A**	*9MV*1002120A**	0.99	0.91	ENH4X43*21**	*8MV*1352422**	0.98	0.90
EHD4X36A**	*9MV*1202422A**	0.99	0.93	ENH4X43*21**	*8MX*0451408**	0.98	0.94
EHD4X36A**	*9MX*0601714A**	0.99	0.95	ENH4X43*21**	*8MX*0701716**	0.98	0.94
EHD4X36A**	*9MX*0801716A**	0.98	0.93	ENH4X43*21**	*8MX*0902116**	0.98	0.90
EHD4X36A**	*9MX*1002120A**	1.01	0.95	ENH4X43*21**	*8MX*1102120**	0.98	0.90
EHD4X36A**	MV08B15**B*	0.97	0.89	ENH4X43*21**	*9MA*0601714A**	0.99	0.93
EHD4X36A**	MV12F19**B*	0.97	0.89	ENH4X43*21**	*9MA*0602120A**	0.99	0.92
EHD4X36A**	MV16J22**B*	0.97	0.89	ENH4X43*21**	*9MA*0801714A**	0.99	0.92
EHD4X36A**	MV20L24**B*	0.97	0.89	ENH4X43*21**	*9MA*0802120A**	1.00	0.91
EHD4X36A**	NOMV106D12*	0.97	0.93	ENH4X43*21**	*9MA*1002122A**	1.00	0.91
EHD4X36A**	NOMV156E19*	0.97	0.93	ENH4X43*21**	*9MA*1202422A**	1.00	0.92
EHD4X36A**	*8MPV050	0.97	0.97	ENH4X43*21**	*9MV*0601714A**	0.99	0.93
EHD4X36A**	*8MPV075	0.97	0.93	ENH4X43*21**	*9MV*0801716A**	0.99	0.94
EHD4X36A**	*8MPV100	0.97	0.93	ENH4X43*21**	*9MV*0802120A**	1.01	0.91
EHD4X36A**	*8MPV125	0.97	0.93	ENH4X43*21**	*9MV*1002120A**	1.01	0.91
EHD4X36A**	*9MA*1002120A**	0.98	0.93	ENH4X43*21**	*9MV*1202422A**	0.99	0.92
EHD4X36A**	*9MPV050	0.97	0.97	ENH4X43*21**	*9MX*0601714A**	1.01	0.95
EHD4X36A**	*9MPV075	0.97	0.93	ENH4X43*21**	*9MX*0801716A**	1.00	0.94
EHD4X36A**	*9MPV100	0.97	0.93	ENH4X43*21**	*9MX*1002120A**	1.02	0.94
EHD4X36A**	*9MPV125	0.97	0.93	ENH4X43*21**	MV08B15**B*	0.98	0.90

COOLING Multiplying Factors for other Indoor Combinations

Indoor Model	Furnace Model	CAPACITY (MBh)	Power (AMPS)	Indoor Model	Furnace Model	CAPACITY (MBh)	Power (AMPS)
EHD4X36A**	*9MV*1002116A**	0.99	0.93	ENH4X43*21**	MV12F19**B*	0.98	0.90
EHD4X36A**	*9MVX040	0.97	0.97	ENH4X43*21**	MV16J22**B*	0.98	0.90
EHD4X36A**	*9MVX060	0.97	0.93	ENH4X43*21**	MV20L24**B*	0.98	0.90
EHD4X36A**	*9MVX080	0.97	0.93	ENH4X43*21**	NOMV106D12*	0.98	0.90
EHD4X36A**	*9MVX100	0.97	0.93	ENH4X43*21**	NOMV156E19*	0.98	0.90
EHD4X36A**	OLV098A12A	0.98	0.94	ENH4X43*21**	*8MPV050	0.98	0.98
EHD4X36A**	OLV112A16A	0.99	0.95	ENH4X43*21**	*8MPV075	0.98	0.94
EHD4X36A**	OLV154F20A	1.01	0.97	ENH4X43*21**	*8MPV100	0.98	0.90
EHD4X36A**	OMV098J12A	0.98	0.94	ENH4X43*21**	*8MPV125	0.98	0.90
EHD4X36A**	OMV112K14A	0.99	0.95	ENH4X43*21**	*9MA*1002120A**	1.00	0.92
EHD4X36A**	-	0.97	1.01	ENH4X43*21**	*9MPV050	1.00	1.00
EHD4X42A**	*8MV*0701412**	0.98	0.94	ENH4X43*21**	*9MPV050	1.00	1.00
EHD4X42A**	*8MV*0901716**	0.98	0.90	ENH4X43*21**	*9MPV075	1.01	0.97
EHD4X42A**	*8MV*1102120**	0.98	0.90	ENH4X43*21**	*9MPV075	1.01	0.97
EHD4X42A**	*8MV*1352422**	0.98	0.90	ENH4X43*21**	*9MPV100	1.01	0.97
EHD4X42A**	*8MX*0451408**	0.98	0.98	ENH4X43*21**	*9MPV100	1.01	0.97
EHD4X42A**	*8MX*0701716**	0.98	0.94	ENH4X43*21**	*9MPV125	1.01	0.93
EHD4X42A**	*8MX*0902116**	0.98	0.90	ENH4X43*21**	*9MPV125	1.01	0.93
EHD4X42A**	*8MX*1102120**	0.98	0.90	ENH4X43*21**	*9MV*1002116A**	0.99	0.92
EHD4X42A**	*9MA*0601714A**	0.98	0.93	ENH4X43*21**	*9MVX040	0.98	0.94
EHD4X42A**	*9MA*0602120A**	0.98	0.93	ENH4X43*21**	*9MVX040	0.98	0.94
EHD4X42A**	*9MA*0801714A**	0.98	0.93	ENH4X43*21**	*9MVX060	0.98	0.94
EHD4X42A**	*9MA*0802120A**	0.99	0.91	ENH4X43*21**	*9MVX060	0.98	0.94
EHD4X42A**	*9MA*1002122A**	0.99	0.92	ENH4X43*21**	*9MVX080	0.98	0.94
EHD4X42A**	*9MA*1202422A**	0.99	0.91	ENH4X43*21**	*9MVX080	0.98	0.94
EHD4X42A**	*9MV*0601714A**	0.99	0.95	ENH4X43*21**	*9MVX100	0.98	0.94
EHD4X42A**	*9MV*0801716A**	0.99	0.94	ENH4X43*21**	*9MVX100	0.98	0.94
EHD4X42A**	*9MV*0802120A**	0.99	0.92	ENH4X43*21**	OLV098A12A	0.99	0.95
EHD4X42A**	*9MV*1002120A**	0.99	0.92	ENH4X43*21**	OLV112A16A	1.01	0.97
EHD4X42A**	*9MV*1202422A**	0.99	0.92	ENH4X43*21**	OLV154F20A	1.03	0.95
EHD4X42A**	*9MX*0601714A**	0.99	0.95	ENH4X43*21**	OMV098J12A	1.00	0.96
EHD4X42A**	*9MX*0801716A**	0.99	0.93	ENH4X43*21**	OMV112K14A	1.00	0.96
EHD4X42A**	*9MX*1002120A**	1.01	0.93	ENH4X43*21**	-	0.98	0.98
EHD4X42A**	MV08B15**B*	0.98	0.90	ENH4X48*21**	*8MV*0901716**	0.99	0.91
EHD4X42A**	MV12F19**B*	0.98	0.90	ENH4X48*21**	*9MA*0601714A**	0.98	0.92

COOLING Multiplying Factors for other Indoor Combinations

Indoor Model	Furnace Model	CAPACITY (MBh)	Power (AMPS)	Indoor Model	Furnace Model	CAPACITY (MBh)	Power (AMPS)
EHD4X42A**	MV16J22**B*	0.98	0.90	ENH4X48*21**	*9MA*0602120A**	0.98	0.91
EHD4X42A**	MV20L24**B*	0.98	0.90	ENH4X48*21**	*9MA*0801714A**	0.98	0.93
EHD4X42A**	NOMV106D12*	0.98	0.94	ENH4X48*21**	*9MA*0802120A**	0.99	0.90
EHD4X42A**	NOMV156E19*	0.98	0.94	ENH4X48*21**	*9MA*1002122A**	0.99	0.90
EHD4X42A**	*8MPV050	0.98	0.98	ENH4X48*21**	*9MA*1202422A**	0.99	0.91
EHD4X42A**	*8MPV075	0.98	0.94	ENH4X48*21**	*9MV*0601714A**	0.99	0.95
EHD4X42A**	*8MPV100	0.98	0.94	ENH4X48*21**	*9MV*0801716A**	0.99	0.94
EHD4X42A**	*8MPV125	0.98	0.94	ENH4X48*21**	*9MV*0802120A**	0.99	0.92
EHD4X42A**	*9MA*1002120A**	0.99	0.93	ENH4X48*21**	*9MV*1002120A**	0.99	0.92
EHD4X42A**	*9MPV050	0.98	0.98	ENH4X48*21**	*9MV*1202422A**	0.99	0.92
EHD4X42A**	*9MPV075	1.00	0.96	ENH4X48*21**	*9MX*0601714A**	0.99	0.95
EHD4X42A**	*9MPV100	0.98	0.94	ENH4X48*21**	*9MX*0801716A**	0.99	0.93
EHD4X42A**	*9MPV125	0.98	0.94	ENH4X48*21**	*9MA*1002120A**	0.99	0.93
EHD4X42A**	*9MV*1002116A**	1.00	0.94	ENH4X48*21**	*9MV*1002116A**	1.00	0.94
EHD4X42A**	*9MVX040	0.98	0.98	FEA4X36**A*	-	0.98	1.02
EHD4X42A**	*9MVX060	0.98	0.94	FEM4P36**A*	-	0.97	0.97
EHD4X42A**	*9MVX080	0.98	0.94	FEM4P42**A*	-	0.99	0.95
EHD4X42A**	*9MVX100	0.98	0.94	FEM4P48**A*	-	0.99	0.95
EHD4X42A**	OLV098A12A	0.99	0.95	FEM4X36****	-	1.00	0.96
EHD4X42A**	OLV112A16A	1.00	0.96	FEM4X42****	-	1.00	0.96
EHD4X42A**	OLV154F20A	1.01	0.97	FS(M,U)4P36**A*	-	0.97	0.97
EHD4X42A**	OMV098J12A	0.99	0.95	FS(M,U)4P42**A*	-	0.99	0.99
EHD4X42A**	OMV112K14A	0.99	0.95	FS(M,U)4X42****	-	0.99	1.03
EHD4X42A**	-	0.98	0.98	FSA4X36**A*	-	0.97	1.01
EHD4X48A**	*9MA*0601714A**	0.98	0.93	FSM4X36****	-	0.99	1.03
EHD4X48A**	*9MA*0602120A**	0.99	0.91	FU4X36****	-	0.97	1.01
EHD4X48A**	*9MA*0801714A**	0.99	0.93	FVM4X24****	-	0.97	0.93
EHD4X48A**	*9MA*0802120A**	0.99	0.90	FVM4X36****	-	0.98	0.90
EHD4X48A**	*9MA*1002122A**	1.00	0.92	FVM4X48****	-	0.99	0.91
EHD4X48A**	*9MA*1202422A**	0.99	0.92	FVM4X60****	-	1.00	0.92
EHD4X48A**	*9MV*0601714A**	0.99	0.95	FXM4X36**A*	-	0.99	0.92
EHD4X48A**				FXM4X42**A*	-	0.99	0.92
EHD4X48A**				FXM4X48**A*	-	1.01	0.97

COOLING Multiplying Factors for other Indoor Combinations

COOLING Multiplying Factors for other Indoor Combinations

Indoor Model	Furnace Model	CAPACITY (MBh)	Power (AMPS)	Indoor Model	Furnace Model	CAPACITY (MBh)	Power (AMPS)
(C,H,T)XA642							
*EN(A,D)4X43*24**	-	1.00	1.00	EHD4X48A**	NOMV156E19*	0.99	0.95
EA*4X42*21A*	*8MV*0901716**	0.95	0.90	EHD4X48A**	*8MPV075	0.99	0.95
EA*4X42*21A*	*8MV*1102120**	0.96	0.91	EHD4X48A**	*8MPV100	0.99	0.95
EA*4X42*21A*	*8MX*0701716**	0.95	0.95	EHD4X48A**	*8MPV125	0.99	0.95
EA*4X42*21A*	*8MX*0902116**	0.96	0.91	EHD4X48A**	*9MA*1002120A**	0.98	0.92
EA*4X42*21A*	*8MX*1102120**	0.96	0.89	EHD4X48A**	*9MPV075	0.99	0.99
EA*4X42*21A*	*9MA*0601714A**	0.94	0.94	EHD4X48A**	*9MPV100	0.99	0.95
EA*4X42*21A*	*9MA*0602120A**	0.95	0.91	EHD4X48A**	*9MPV125	0.99	0.95
EA*4X42*21A*	*9MA*0801714A**	0.95	0.91	EHD4X48A**	*9MV*1002116A**	0.99	0.95
EA*4X42*21A*	*9MA*0802120A**	0.95	0.90	EHD4X48A**	*9MVX060	0.99	0.99
EA*4X42*21A*	*9MA*1002122A**	0.96	0.91	EHD4X48A**	*9MVX080	0.99	0.95
EA*4X42*21A*	*9MV*0601714A**	0.95	0.95	EHD4X48A**	*9MVX100	0.99	0.95
EA*4X42*21A*	*9MV*0801716A**	0.95	0.91	EHD4X48A**	*9MX*1002116A**	0.98	0.92
EA*4X42*21A*	*9MV*0802120A**	0.96	0.91	EHD4X48A**	OLV112A16A	0.99	0.99
EA*4X42*21A*	*9MV*1002120A**	0.96	0.91	EHD4X48A**	OLV154F20A	1.00	0.96
EA*4X42*21A*	*9MX*0601714A**	0.95	0.95	EHD4X48A**	OMV112K14A	0.98	0.94
EA*4X42*21A*	*9MX*0801716A**	0.96	0.96	EHD4X48A**	-	0.99	0.99
EA*4X42*21A*	*9MX*0802120A**	0.96	0.91	EHD4X60A**	*9MA*0601714A**	0.98	0.94
EA*4X42*21A*	*9MX*1002120A**	0.96	0.91	EHD4X60A**	*9MA*0602120A**	0.98	0.90
EA*4X42*21A*	*9MA*1002120A**	0.95	0.91	EHD4X60A**	*9MA*0801714A**	0.99	0.93
EA*4X42*21A*	*9MV*1002116A**	0.96	0.93	EHD4X60A**	*9MA*0802120A**	0.99	0.91
EA*4X42*21A*	*9MX*1002116A**	0.95	0.91	EHD4X60A**	*9MA*1002122A**	1.00	0.91
EA*4X42*21A*	-	0.96	0.99	EHD4X60A**	*9MA*1202422A**	0.99	0.91
EA*4X42*24A*	*8MV*1102120**	0.96	0.91	EHD4X60A**	*9MV*0601714A**	0.99	0.95
EA*4X42*24A*	*8MV*1352422**	0.96	0.89	EHD4X60A**	*9MV*0801716A**	0.99	0.93
EA*4X42*24A*	*8MX*0902116**	0.96	0.91	EHD4X60A**	*9MV*0802120A**	1.00	0.92
EA*4X42*24A*	*8MX*1102120**	0.96	0.89	EHD4X60A**	*9MV*1002120A**	1.00	0.92
EA*4X42*24A*	*8MX*1352420**	0.96	0.91	EHD4X60A**	*9MV*1202422A**	1.00	0.92
EA*4X42*24A*	*9MA*0602120A**	0.95	0.91	EHD4X60A**	*9MX*0601714A**	0.99	0.95
EA*4X42*24A*	*9MA*0802120A**	0.95	0.90	EHD4X60A**	*9MX*0801716A**	1.00	0.94
EA*4X42*24A*	*9MA*1002122A**	0.96	0.91	EHD4X60A**	*9MX*0802120A**	1.00	0.92
EA*4X42*24A*	*9MA*1202422A**	0.95	0.90	EHD4X60A**	*9MX*1002120A**	1.00	0.92
EA*4X42*24A*	*9MV*0802120A**	0.96	0.91	EHD4X60A**	*9MX*1202422A**	1.00	0.92
EA*4X42*24A*	*9MV*1002120A**	0.96	0.91	EHD4X60A**	*9MA*1002120A**	0.99	0.93

COOLING Multiplying Factors for other Indoor Combinations

Indoor Model	Furnace Model	CAPACITY (MBh)	Power (AMPS)	Indoor Model	Furnace Model	CAPACITY (MBh)	Power (AMPS)
EA*4X42*24A*	*9MV*1202422A**	0.96	0.91	EHD4X60A**	*9MV*1002116A**	1.00	0.94
EA*4X42*24A*	*9MX*0802120A**	0.96	0.91	EHD4X60A**	*9MX*1002116A**	0.99	0.93
EA*4X42*24A*	*9MX*1002120A**	0.96	0.91	EMA4X48D**	-	0.98	1.02
EA*4X42*24A*	*9MX*1202422A**	0.96	0.93	EN(A,D)4X43*24**	*8MV*1102120**	1.00	0.92
EA*4X42*24A*	*9MA*1002120A**	0.95	0.91	EN(A,D)4X43*24**	*8MV*1352422**	1.00	0.92
EA*4X42*24A*	*9MV*1002116A**	0.96	0.93	EN(A,D)4X43*24**	*8MX*0902116**	1.00	0.92
EA*4X42*24A*	*9MX*1002116A**	0.95	0.91	EN(A,D)4X43*24**	*8MX*1102120**	1.00	0.92
EA*4X42*24A*	-	0.96	0.99	EN(A,D)4X43*24**	*8MX*1352420**	1.00	0.92
EA*4X48*17A*	*8MV*0701412**	0.98	0.94	EN(A,D)4X43*24**	*9MA*0602120A**	0.98	0.90
EA*4X48*17A*	*8MV*0901716**	0.98	0.90	EN(A,D)4X43*24**	*9MA*0802120A**	0.98	0.90
EA*4X48*17A*	*8MX*0701716**	0.98	0.96	EN(A,D)4X43*24**	*9MA*1002122A**	0.99	0.91
EA*4X48*17A*	*9MA*0601714A**	0.96	0.93	EN(A,D)4X43*24**	*9MA*1202422A**	0.99	0.91
EA*4X48*17A*	*9MA*0801714A**	0.96	0.93	EN(A,D)4X43*24**	*9MV*0802120A**	0.99	0.91
EA*4X48*17A*	*9MV*0601714A**	0.98	0.98	EN(A,D)4X43*24**	*9MV*1002120A**	0.99	0.91
EA*4X48*17A*	*9MV*0801716A**	0.98	0.94	EN(A,D)4X43*24**	*9MV*1202422A**	0.99	0.91
EA*4X48*17A*	*9MX*0601714A**	0.98	0.94	EN(A,D)4X43*24**	*9MX*0802120A**	1.00	0.92
EA*4X48*17A*	*9MX*0801716A**	0.98	0.94	EN(A,D)4X43*24**	*9MX*1002120A**	0.99	0.91
EA*4X48*17A*	-	0.99	0.99	EN(A,D)4X43*24**	*9MX*1202422A**	1.00	0.94
EA*4X48*21A*	*8MV*0901716**	0.98	0.92	EN(A,D)4X43*24**	MV16J22**B*	1.00	0.92
EA*4X48*21A*	*8MV*1102120**	0.98	0.92	EN(A,D)4X43*24**	MV20L24**B*	1.00	0.92
EA*4X48*21A*	*8MX*0701716**	0.98	0.96	EN(A,D)4X43*24**	NOMV156E19*	1.00	0.92
EA*4X48*21A*	*8MX*0902116**	0.98	0.90	EN(A,D)4X43*24**	*8MPV100	1.00	0.92
EA*4X48*21A*	*8MX*1102120**	0.98	0.90	EN(A,D)4X43*24**	*8MPV125	1.00	0.92
EA*4X48*21A*	*9MA*0601714A**	0.96	0.93	EN(A,D)4X43*24**	*9MA*1002120A**	0.98	0.92
EA*4X48*21A*	*9MA*0602120A**	0.96	0.91	EN(A,D)4X43*24**	*9MPV100	1.00	0.96
EA*4X48*21A*	*9MA*0801714A**	0.96	0.93	EN(A,D)4X43*24**	*9MPV100	1.00	0.96
EA*4X48*21A*	*9MA*0802120A**	0.96	0.91	EN(A,D)4X43*24**	*9MPV125	1.00	0.96
EA*4X48*21A*	*9MA*1002122A**	0.98	0.90	EN(A,D)4X43*24**	*9MPV125	1.00	0.96
EA*4X48*21A*	*9MV*0601714A**	0.96	0.96	EN(A,D)4X43*24**	*9MV*1002116A**	0.98	0.92
EA*4X48*21A*	*9MV*0801716A**	0.98	0.93	EN(A,D)4X43*24**	*9MVX080	1.00	0.96
EA*4X48*21A*	*9MV*0802120A**	0.98	0.92	EN(A,D)4X43*24**	*9MVX080	1.00	0.96
EA*4X48*21A*	*9MV*1002120A**	0.98	0.90	EN(A,D)4X43*24**	*9MVX100	1.00	0.96
EA*4X48*21A*	*9MX*0601714A**	0.96	0.93	EN(A,D)4X43*24**	*9MVX100	1.00	0.96
EA*4X48*21A*	*9MX*0801716A**	0.98	0.94	EN(A,D)4X43*24**	*9MX*1002116A**	0.99	0.93
EA*4X48*21A*	*9MX*0802120A**	0.98	0.92	EN(A,D)4X43*24**	OLV112A16A	0.99	0.95

COOLING Multiplying Factors for other Indoor Combinations

Indoor Model	Furnace Model	CAPACITY (MBh)	Power (AMPS)	Indoor Model	Furnace Model	CAPACITY (MBh)	Power (AMPS)
EA*4X48*21A*	*9MX*1002120A**	0.98	0.90	EN(A,D)4X43*24**	OLV154F20A	1.01	0.97
EA*4X48*21A*	*9MA*1002120A**	0.96	0.91	EN(A,D)4X48*24**	*8MV*1102120**	0.99	0.95
EA*4X48*21A*	*9MV*1002116A**	0.98	0.94	EN(A,D)4X48*24**	*8MV*1352422**	0.99	0.99
EA*4X48*21A*	*9MX*1002116A**	0.96	0.93	EN(A,D)4X48*24**	*8MX*0902116**	0.99	0.99
EA*4X48*21A*	-	0.98	0.98	EN(A,D)4X48*24**	*8MX*1102120**	0.99	0.91
EA*4X48*24A*	*8MV*1102120**	0.98	0.90	EN(A,D)4X48*24**	*8MX*1352420**	0.99	0.99
EA*4X48*24A*	*8MV*1352422**	0.98	0.90	EN(A,D)4X48*24**	*9MA*0602120A**	0.96	0.91
EA*4X48*24A*	*8MX*0902116**	0.98	0.90	EN(A,D)4X48*24**	*9MA*0802120A**	0.96	0.89
EA*4X48*24A*	*8MX*1102120**	0.98	0.90	EN(A,D)4X48*24**	*9MA*1002122A**	0.98	0.90
EA*4X48*24A*	*8MX*1352420**	0.98	0.90	EN(A,D)4X48*24**	*9MA*1202422A**	0.96	0.91
EA*4X48*24A*	*9MA*0602120A**	0.96	0.91	EN(A,D)4X48*24**	*9MV*0802120A**	0.98	0.90
EA*4X48*24A*	*9MA*0802120A**	0.96	0.89	EN(A,D)4X48*24**	*9MV*1002120A**	0.98	0.90
EA*4X48*24A*	*9MA*1002122A**	0.98	0.90	EN(A,D)4X48*24**	*9MV*1202422A**	0.98	0.92
EA*4X48*24A*	*9MA*1202422A**	0.96	0.91	EN(A,D)4X48*24**	*9MX*0802120A**	0.99	0.93
EA*4X48*24A*	*9MV*0802120A**	0.98	0.90	EN(A,D)4X48*24**	*9MX*1002120A**	0.98	0.90
EA*4X48*24A*	*9MV*1002120A**	0.98	0.90	EN(A,D)4X48*24**	*9MX*1202422A**	0.99	0.93
EA*4X48*24A*	*9MV*1202422A**	0.98	0.92	EN(A,D)4X48*24**	MV16J22**B*	0.99	0.99
EA*4X48*24A*	*9MX*0802120A**	0.98	0.92	EN(A,D)4X48*24**	MV20L24**B*	0.99	0.99
EA*4X48*24A*	*9MX*1002120A**	0.98	0.90	EN(A,D)4X48*24**	NOMV156E19*	0.99	0.95
EA*4X48*24A*	*9MX*1202422A**	0.99	0.93	EN(A,D)4X48*24**	*8MPV100	0.99	0.95
EA*4X48*24A*	*9MA*1002120A**	0.96	0.91	EN(A,D)4X48*24**	*8MPV125	0.99	0.95
EA*4X48*24A*	*9MV*1002116A**	0.98	0.94	EN(A,D)4X48*24**	*9MA*1002120A**	0.96	0.91
EA*4X48*24A*	*9MX*1002116A**	0.96	0.93	EN(A,D)4X48*24**	*9MPV100	0.99	0.95
EA*4X48*24A*	-	0.98	0.98	EN(A,D)4X48*24**	*9MPV100	0.99	0.95
EA*4X60*21A*	*9MA*0601714A**	0.98	0.94	EN(A,D)4X48*24**	*9MPV125	0.99	0.95
EA*4X60*21A*	*9MA*0602120A**	0.98	0.90	EN(A,D)4X48*24**	*9MPV125	0.99	0.95
EA*4X60*21A*	*9MA*0801714A**	0.98	0.92	EN(A,D)4X48*24**	*9MV*1002116A**	0.98	0.94
EA*4X60*21A*	*9MA*0802120A**	0.98	0.90	EN(A,D)4X48*24**	*9MVX080	0.99	0.99
EA*4X60*21A*	*9MA*1002122A**	0.99	0.91	EN(A,D)4X48*24**	*9MVX080	0.99	0.99
EA*4X60*21A*	*9MV*0601714A**	0.99	0.95	EN(A,D)4X48*24**	*9MVX100	0.99	0.99
EA*4X60*21A*	*9MV*0801716A**	0.99	0.95	EN(A,D)4X48*24**	*9MVX100	0.99	0.99
EA*4X60*21A*	*9MV*0802120A**	0.99	0.91	EN(A,D)4X48*24**	*9MX*1002116A**	0.98	0.94
EA*4X60*21A*	*9MV*1002120A**	0.99	0.91	EN(A,D)4X48*24**	OLV112A16A	0.98	0.98
EA*4X60*21A*	*9MX*0601714A**	0.99	0.95	EN(A,D)4X48*24**	OLV154F20A	1.00	0.96
EA*4X60*21A*	*9MX*0801716A**	0.99	0.95	EN(A,D)4X48*24**	-	0.99	0.99

COOLING Multiplying Factors for other Indoor Combinations

Indoor Model	Furnace Model	CAPACITY (MBh)	Power (AMPS)	Indoor Model	Furnace Model	CAPACITY (MBh)	Power (AMPS)
EA*4X60*21A*	*9MX*0802120A**	1.00	0.92	EN(A,D,W)4X42*21**	*8MV*0901716**	0.96	0.93
EA*4X60*21A*	*9MX*1002120A**	0.99	0.91	EN(A,D,W)4X42*21**	*8MV*1102120**	0.96	0.93
EA*4X60*21A*	*9MA*1002120A**	0.98	0.92	EN(A,D,W)4X42*21**	*8MX*0701716**	0.96	0.96
EA*4X60*21A*	*9MV*1002116A**	0.99	0.93	EN(A,D,W)4X42*21**	*8MX*0902116**	0.96	0.93
EA*4X60*21A*	*9MX*1002116A**	0.99	0.93	EN(A,D,W)4X42*21**	*8MX*1102120**	0.96	0.93
EA*4X60*21A*	-	1.00	0.98	EN(A,D,W)4X42*21**	*9MA*0601714A**	0.95	0.95
EA*4X60*24A*	*9MA*1202422A**	0.98	0.90	EN(A,D,W)4X42*21**	*9MA*0602120A**	0.95	0.91
EA*4X60*24A*	*9MV*1202422A**	0.99	0.91	EN(A,D,W)4X42*21**	*9MA*0801714A**	0.95	0.91
EA*4X60*24A*	*9MX*1202422A**	1.00	0.94	EN(A,D,W)4X42*21**	*9MA*0802120A**	0.95	0.90
EA*4X60*24A*	*9MA*1002120A**	0.98	0.92	EN(A,D,W)4X42*21**	*9MA*1002122A**	0.96	0.91
EA*4X60*24A*	*9MV*1002116A**	0.99	0.93	EN(A,D,W)4X42*21**	*9MV*0601714A**	0.95	0.95
EA*4X60*24A*	*9MX*1002116A**	0.99	0.93	EN(A,D,W)4X42*21**	*9MV*0801716A**	0.95	0.95
EA*4X60*24A*	-	1.00	0.98	EN(A,D,W)4X42*21**	*9MV*0802120A**	0.95	0.90
ED*4X42F**	*9MA*0601714A**	0.94	0.94	EN(A,D,W)4X42*21**	*9MV*1002120A**	0.95	0.90
ED*4X42F**	*9MA*0602120A**	0.95	0.91	EN(A,D,W)4X42*21**	*9MX*0601714A**	0.95	0.95
ED*4X42F**	*9MA*0801714A**	0.95	0.91	EN(A,D,W)4X42*21**	*9MX*0801716A**	0.96	0.96
ED*4X42F**	*9MA*0802120A**	0.95	0.90	EN(A,D,W)4X42*21**	*9MX*0802120A**	0.96	0.91
ED*4X42F**	*9MA*1002122A**	0.96	0.91	EN(A,D,W)4X42*21**	*9MX*1002120A**	0.95	0.90
ED*4X42F**	*9MV*0601714A**	0.95	0.95	EN(A,D,W)4X42*21**	MV12F19**B*	0.96	0.93
ED*4X42F**	*9MV*0801716A**	0.95	0.95	EN(A,D,W)4X42*21**	NOMV156E19*	0.96	0.93
ED*4X42F**	*9MV*0802120A**	0.95	0.90	EN(A,D,W)4X42*21**	*8MPV075	0.96	0.96
ED*4X42F**	*9MX*0601714A**	0.95	0.95	EN(A,D,W)4X42*21**	*9MA*1002120A**	0.95	0.91
ED*4X42F**	*9MX*0801716A**	0.95	0.95	EN(A,D,W)4X42*21**	*9MPV075	0.96	1.01
ED*4X42F**	*9MX*0801716A**	0.95	0.95	EN(A,D,W)4X42*21**	*9MPV075	0.96	1.01
ED*4X42F**	*9MX*0802120A**	0.96	0.91	EN(A,D,W)4X42*21**	*9MPV100	0.96	0.96
ED*4X42F**	MV12F19**B*	0.96	0.93	EN(A,D,W)4X42*21**	*9MV*1002116A**	0.96	0.93
ED*4X42F**	*8MPV075	0.96	0.96	EN(A,D,W)4X42*21**	*9MVX060	0.96	0.96
ED*4X42F**	*9MA*1002120A**	0.95	0.91	EN(A,D,W)4X42*21**	*9MVX060	0.96	0.96
ED*4X42F**	*9MPV075	0.96	1.01	EN(A,D,W)4X42*21**	*9MVX080	0.96	0.96
ED*4X42F**	*9MV*1002116A**	0.95	0.91	EN(A,D,W)4X42*21**	*9MX*1002116A**	0.95	0.91
ED*4X42F**	*9MVX060	0.96	0.96	EN(A,D,W)4X42*21**	OLV112A16A	0.96	0.96
ED*4X42F**	*9MX*1002116A**	0.96	0.96	EN(A,D,W)4X42*21**	OMV112K14A	0.95	0.95
ED*4X42F**	*9MX*1002116A**	0.95	0.91	EN(A,D,W)4X42*21**	-	0.96	1.01
ED*4X42F**	OLV112A16A	0.96	0.96	EN(A,D,W)4X48*21**	*8MV*0901716**	0.99	0.95
ED*4X42F**	OMV112K14A	0.95	0.95	EN(A,D,W)4X48*21**	*8MV*1102120**	0.99	0.95

COOLING Multiplying Factors for other Indoor Combinations

Indoor Model	Furnace Model	CAPACITY (MBh)	Power (AMPS)	Indoor Model	Furnace Model	CAPACITY (MBh)	Power (AMPS)
ED*4X42F**	-	0.96	1.01	EN(A,D,W)4X48*21**	*8MX*0701716**	0.99	0.99
ED*4X42J**	*9MA*0602120A**	0.95	0.91	EN(A,D,W)4X48*21**	*8MX*0902116**	0.99	0.95
ED*4X42J**	*9MA*0802120A**	0.95	0.90	EN(A,D,W)4X48*21**	*8MX*1102120**	0.99	0.95
ED*4X42J**	*9MA*1002122A**	0.96	0.91	EN(A,D,W)4X48*21**	*9MA*0601714A**	0.96	0.93
ED*4X42J**	*9MA*1202422A**	0.95	0.90	EN(A,D,W)4X48*21**	*9MA*0602120A**	0.96	0.91
ED*4X42J**	*9MV*0802120A**	0.96	0.91	EN(A,D,W)4X48*21**	*9MA*0801714A**	0.96	0.93
ED*4X42J**	*9MV*1002120A**	0.96	0.91	EN(A,D,W)4X48*21**	*9MA*0802120A**	0.96	0.89
ED*4X42J**	*9MV*1202422A**	0.96	0.91	EN(A,D,W)4X48*21**	*9MA*1002122A**	0.98	0.90
ED*4X42J**	*9MX*0802120A**	0.96	0.91	EN(A,D,W)4X48*21**	*9MV*0601714A**	0.98	0.98
ED*4X42J**	*9MX*1002120A**	0.96	0.91	EN(A,D,W)4X48*21**	*9MV*0801716A**	0.98	0.94
ED*4X42J**	*9MX*1202422A**	0.96	0.93	EN(A,D,W)4X48*21**	*9MV*0802120A**	0.98	0.90
ED*4X42J**	MV16J22**B*	0.96	0.89	EN(A,D,W)4X48*21**	*9MV*1002120A**	0.98	0.90
ED*4X42J**	*8MPV100	0.96	0.93	EN(A,D,W)4X48*21**	*9MX*0601714A**	0.98	0.94
ED*4X42J**	*8MPV125	0.96	0.93	EN(A,D,W)4X48*21**	*9MX*0801716A**	0.98	0.94
ED*4X42J**	*9MA*1002120A**	0.95	0.91	EN(A,D,W)4X48*21**	*9MX*0802120A**	0.99	0.93
ED*4X42J**	*9MPV100	0.96	0.93	EN(A,D,W)4X48*21**	*9MX*1002120A**	0.98	0.90
ED*4X42J**	*9MV*1002116A**	0.96	0.93	EN(A,D,W)4X48*21**	MV12F19**B*	0.99	0.91
ED*4X42J**	*9MVX080	0.96	0.93	EN(A,D,W)4X48*21**	NOMV156E19*	0.99	0.95
ED*4X42J**	*9MX*1002116A**	0.95	0.91	EN(A,D,W)4X48*21**	*8MPV075	0.99	0.95
ED*4X42J**	OLV112A16A	0.96	0.96	EN(A,D,W)4X48*21**	*9MA*1002120A**	0.96	0.91
ED*4X42J**	-	0.96	1.01	EN(A,D,W)4X48*21**	*9MPV075	0.99	0.99
ED*4X42L**	*8MV*1352422**	0.96	0.93	EN(A,D,W)4X48*21**	*9MPV075	0.99	0.99
ED*4X42L**	*8MX*1352420**	0.96	0.93	EN(A,D,W)4X48*21**	*9MPV100	0.99	0.95
ED*4X42L**	*9MA*0602120A**	0.95	0.91	EN(A,D,W)4X48*21**	*9MV*1002116A**	0.98	0.94
ED*4X42L**	*9MA*0802120A**	0.95	0.90	EN(A,D,W)4X48*21**	*9MVX060	0.99	0.99
ED*4X42L**	*9MA*1002122A**	0.96	0.91	EN(A,D,W)4X48*21**	*9MVX060	0.99	0.99
ED*4X42L**	*9MA*1202422A**	0.95	0.90	EN(A,D,W)4X48*21**	*9MVX080	0.99	0.95
ED*4X42L**	*9MV*0802120A**	0.96	0.91	EN(A,D,W)4X48*21**	*9MX*1002116A**	0.98	0.94
ED*4X42L**	*9MV*1002120A**	0.96	0.91	EN(A,D,W)4X48*21**	OLV112A16A	0.98	0.98
ED*4X42L**	*9MV*1202422A**	0.96	0.91	EN(A,D,W)4X48*21**	OMV112K14A	0.98	0.94
ED*4X42L**	*9MX*0802120A**	0.96	0.91	EN(A,D,W)4X48*21**	-	0.99	0.99
ED*4X42L**	*9MX*1002120A**	0.96	0.91	EN(A,D,W)4X60*24**	*9MA*1202422A**	0.98	0.90
ED*4X42L**	*9MX*1202422A**	0.96	0.93	EN(A,D,W)4X60*24**	*9MV*1202422A**	0.99	0.91
ED*4X42L**	MV20L24**B*	0.96	0.89	EN(A,D,W)4X60*24**	*9MX*1202422A**	1.00	0.94
ED*4X42L**	*9MA*1002120A**	0.95	0.91	EN(A,D,W)4X60*24**	*9MA*1002120A**	0.98	0.92

COOLING Multiplying Factors for other Indoor Combinations

Indoor Model	Furnace Model	CAPACITY (MBh)	Power (AMPS)	Indoor Model	Furnace Model	CAPACITY (MBh)	Power (AMPS)
ED*4X42L**	*9MPV125	0.96	0.93	EN(A,D,W)4X60*24**	*9MV*1002116A**	0.99	0.93
ED*4X42L**	*9MV*1002116A**	0.96	0.93	EN(A,D,W)4X60*24**	*9MX*1002116A**	0.99	0.93
ED*4X42L**	*9MVX100	0.96	0.93	END4X42*17**	*8MV*0701412**	0.98	0.94
ED*4X42L**	*9MX*1002116A**	0.95	0.91	END4X42*17**	*8MV*0901716**	0.98	0.94
ED*4X42L**	OLV112A16A	0.96	0.96	END4X42*17**	*8MX*0701716**	0.98	0.98
ED*4X42L**	OLV154F20A	0.98	0.94	END4X42*17**	*9MA*0601714A**	0.95	0.95
ED*4X42L**	-	0.96	1.01	END4X42*17**	*9MA*0801714A**	0.95	0.91
ED*4X48F**	*9MA*0601714A**	0.96	0.93	END4X42*17**	*9MV*0601714A**	0.96	0.96
ED*4X48F**	*9MA*0602120A**	0.96	0.91	END4X42*17**	*9MV*0801716A**	0.96	0.93
ED*4X48F**	*9MA*0801714A**	0.96	0.93	END4X42*17**	*9MX*0601714A**	0.96	0.96
ED*4X48F**	*9MA*0802120A**	0.98	0.90	END4X42*17**	*9MX*0801716A**	0.96	0.93
ED*4X48F**	*9MA*1002122A**	0.98	0.90	END4X42*17**	*9MPV075	0.96	0.96
ED*4X48F**	*9MV*0601714A**	0.98	0.98	END4X42*17**	*9MVX060	0.96	0.96
ED*4X48F**	*9MV*0801716A**	0.98	0.94	END4X42*17**	OMV112K14A	0.96	0.96
ED*4X48F**	*9MV*0802120A**	0.98	0.90	END4X42*17**	-	0.98	1.02
ED*4X48F**	*9MX*0601714A**	0.98	0.94	ENH4X42*21**	*8MV*0701412**	0.96	0.93
ED*4X48F**	*9MX*0801716A**	0.98	0.94	ENH4X42*21**	*8MV*0901716**	0.96	0.93
ED*4X48F**	*9MX*0802120A**	0.98	0.94	ENH4X42*21**	*8MV*1102120**	0.96	0.93
ED*4X48F**	*9MX*0802120A**	0.99	0.93	ENH4X42*21**	*8MV*1352422**	0.96	0.93
ED*4X48F**	*9MX*1002120A**	0.98	0.90	ENH4X42*21**	*8MX*0701716**	0.96	0.96
ED*4X48F**	MV12F19**B*	0.98	0.90	ENH4X42*21**	*8MX*0902116**	0.96	0.93
ED*4X48F**	*8MPV075	0.98	0.98	ENH4X42*21**	*8MX*1102120**	0.96	0.93
ED*4X48F**	*9MA*1002120A**	0.98	0.92	ENH4X42*21**	*8MX*1352420**	0.96	0.93
ED*4X48F**	*9MPV075	0.98	0.98	ENH4X42*21**	*9MA*0601714A**	0.95	0.95
ED*4X48F**	*9MV*1002116A**	0.98	0.94	ENH4X42*21**	*9MA*0602120A**	0.95	0.91
ED*4X48F**	*9MVX060	0.98	0.98	ENH4X42*21**	*9MA*0801714A**	0.95	0.91
ED*4X48F**	*9MX*1002116A**	0.98	0.94	ENH4X42*21**	*9MA*0802120A**	0.95	0.90
ED*4X48F**	OLV112A16A	0.98	0.98	ENH4X42*21**	*9MA*1002122A**	0.96	0.91
ED*4X48F**	OMV112K14A	0.98	0.94	ENH4X42*21**	*9MA*1202422A**	0.95	0.90
ED*4X48F**	-	0.98	0.98	ENH4X42*21**	*9MV*0601714A**	0.95	0.95
ED*4X48J**	*9MA*0602120A**	0.96	0.91	ENH4X42*21**	*9MV*0801716A**	0.95	0.95
ED*4X48J**	*9MA*0802120A**	0.96	0.91	ENH4X42*21**	*9MV*0802120A**	0.95	0.90
ED*4X48J**	*9MA*1002122A**	0.98	0.90	ENH4X42*21**	*9MV*1002120A**	0.95	0.90
ED*4X48J**	*9MA*1202422A**	0.96	0.91	ENH4X42*21**	*9MV*1202422A**	0.95	0.91
ED*4X48J**	*9MV*0802120A**	0.98	0.92	ENH4X42*21**	*9MX*0601714A**	0.95	0.95

COOLING Multiplying Factors for other Indoor Combinations

Indoor Model	Furnace Model	CAPACITY (MBh)	Power (AMPS)	Indoor Model	Furnace Model	CAPACITY (MBh)	Power (AMPS)
ED*4X48J**	*9MV*1002120A**	0.98	0.90	ENH4X42*21**	*9MX*0801716A**	0.96	0.96
ED*4X48J**	*9MV*1202422A**	0.98	0.92	ENH4X42*21**	*9MX*0802120A**	0.96	0.91
ED*4X48J**	*9MX*0802120A**	0.98	0.92	ENH4X42*21**	*9MX*1002120A**	0.95	0.90
ED*4X48J**	*9MX*1002120A**	0.98	0.90	ENH4X42*21**	*9MX*1202422A**	0.96	0.93
ED*4X48J**	*9MX*1202422A**	0.98	0.92	ENH4X42*21**	MV12F19**B*	0.96	0.93
ED*4X48J**	MV16J22**B*	0.98	0.90	ENH4X42*21**	MV16J22**B*	0.96	0.89
ED*4X48J**	*8MPV100	0.98	0.94	ENH4X42*21**	MV20L24**B*	0.96	0.89
ED*4X48J**	*8MPV125	0.98	0.94	ENH4X42*21**	NOMV156E19*	0.96	0.93
ED*4X48J**	*9MA*1002120A**	0.96	0.91	ENH4X42*21**	*8MPV075	0.96	0.96
ED*4X48J**	*9MPV100	0.98	0.94	ENH4X42*21**	*8MPV100	0.96	0.93
ED*4X48J**	*9MV*1002116A**	0.98	0.94	ENH4X42*21**	*8MPV125	0.96	0.93
ED*4X48J**	*9MVX080	0.98	0.94	ENH4X42*21**	*9MA*1002120A**	0.95	0.91
ED*4X48J**	*9MX*1002116A**	0.96	0.93	ENH4X42*21**	*9MPV075	0.95	0.95
ED*4X48J**	OLV112A16A	0.98	0.98	ENH4X42*21**	*9MPV075	0.95	0.95
ED*4X48J**	-	0.98	0.98	ENH4X42*21**	*9MPV100	0.96	0.96
ED*4X48L**	*8MV*1352422**	0.98	0.94	ENH4X42*21**	*9MPV100	0.96	0.96
ED*4X48L**	*8MX*1352420**	0.98	0.94	ENH4X42*21**	*9MPV125	0.96	0.93
ED*4X48L**	*9MA*0602120A**	0.96	0.91	ENH4X42*21**	*9MPV125	0.96	0.93
ED*4X48L**	*9MA*0802120A**	0.96	0.89	ENH4X42*21**	*9MV*1002116A**	0.96	0.93
ED*4X48L**	*9MA*1002122A**	0.98	0.90	ENH4X42*21**	*9MVX060	0.96	0.96
ED*4X48L**	*9MA*1202422A**	0.96	0.91	ENH4X42*21**	*9MVX060	0.96	0.96
ED*4X48L**	*9MV*0802120A**	0.98	0.90	ENH4X42*21**	*9MVX080	0.96	0.96
ED*4X48L**	*9MV*1002120A**	0.98	0.90	ENH4X42*21**	*9MVX080	0.96	0.96
ED*4X48L**	*9MV*1202422A**	0.98	0.92	ENH4X42*21**	*9MVX100	0.96	0.93
ED*4X48L**	*9MX*0802120A**	0.98	0.92	ENH4X42*21**	*9MVX100	0.96	0.93
ED*4X48L**	*9MX*1002120A**	0.98	0.90	ENH4X42*21**	*9MX*1002116A**	0.95	0.91
ED*4X48L**	*9MX*1202422A**	0.99	0.93	ENH4X42*21**	OLV112A16A	0.96	0.96
ED*4X48L**	MV20L24**B*	0.98	0.90	ENH4X42*21**	OLV154F20A	0.98	0.98
ED*4X48L**	*9MA*1002120A**	0.96	0.91	ENH4X42*21**	OMV112K14A	0.95	0.95
ED*4X48L**	*9MPV125	0.98	0.94	ENH4X42*21**	-	0.96	1.01
ED*4X48L**	*9MV*1002116A**	0.98	0.94	ENH4X43*21**	*8MV*0701412**	0.99	0.95
ED*4X48L**	*9MVX100	0.98	0.94	ENH4X43*21**	*8MV*0901716**	1.00	0.92
ED*4X48L**	*9MX*1002116A**	0.96	0.93	ENH4X43*21**	*8MV*1102120**	1.00	0.92
ED*4X48L**	OLV112A16A	0.98	0.98	ENH4X43*21**	*8MV*1352422**	1.00	0.92
ED*4X48L**	OLV154F20A	1.00	0.96	ENH4X43*21**	*8MX*0701716**	1.00	0.96

COOLING Multiplying Factors for other Indoor Combinations

Indoor Model	Furnace Model	CAPACITY (MBh)	Power (AMPS)	Indoor Model	Furnace Model	CAPACITY (MBh)	Power (AMPS)
ED*4X48L**	-	0.98	0.98	ENH4X43*21**	*8MX*0902116**	1.00	0.92
ED*4X60J**	*8MV*1102120**	1.00	0.92	ENH4X43*21**	*8MX*1102120**	1.00	0.92
ED*4X60J**	*8MX*0902116**	1.00	0.92	ENH4X43*21**	*8MX*1352420**	1.00	0.92
ED*4X60J**	*8MX*1102120**	1.00	0.92	ENH4X43*21**	*9MA*0601714A**	0.98	0.94
ED*4X60J**	*9MA*0602120A**	0.98	0.92	ENH4X43*21**	*9MA*0602120A**	0.98	0.92
ED*4X60J**	*9MA*0802120A**	0.98	0.90	ENH4X43*21**	*9MA*0801714A**	0.98	0.92
ED*4X60J**	*9MA*1002122A**	0.99	0.91	ENH4X43*21**	*9MA*0802120A**	0.98	0.90
ED*4X60J**	*9MA*1202422A**	0.98	0.90	ENH4X43*21**	*9MA*1002122A**	0.99	0.91
ED*4X60J**	*9MV*0802120A**	0.99	0.91	ENH4X43*21**	*9MA*1202422A**	0.98	0.90
ED*4X60J**	*9MV*1002120A**	0.99	0.91	ENH4X43*21**	*9MV*0601714A**	0.99	0.95
ED*4X60J**	*9MV*1202422A**	0.99	0.93	ENH4X43*21**	*9MV*0801716A**	0.99	0.95
ED*4X60J**	*9MX*0802120A**	1.00	0.92	ENH4X43*21**	*9MV*0802120A**	0.99	0.91
ED*4X60J**	*9MX*1002120A**	0.99	0.91	ENH4X43*21**	*9MV*1002120A**	0.99	0.91
ED*4X60J**	*9MX*1202422A**	1.00	0.94	ENH4X43*21**	*9MV*1202422A**	0.98	0.90
ED*4X60J**	MV12F19**B*	1.00	0.92	ENH4X43*21**	*9MX*0601714A**	0.99	0.95
ED*4X60J**	MV16J22**B*	1.00	0.92	ENH4X43*21**	*9MX*0801716A**	0.99	0.95
ED*4X60J**	NOMV156E19*	1.00	0.92	ENH4X43*21**	*9MX*0802120A**	1.00	0.92
ED*4X60J**	*8MPV075	1.00	0.96	ENH4X43*21**	*9MX*1002120A**	0.99	0.91
ED*4X60J**	*8MPV100	1.00	0.96	ENH4X43*21**	*9MX*1202422A**	1.00	0.94
ED*4X60J**	*8MPV125	1.00	0.92	ENH4X43*21**	MV12F19**B*	1.00	0.92
ED*4X60J**	*9MA*1002120A**	0.98	0.92	ENH4X43*21**	MV16J22**B*	1.00	0.92
ED*4X60J**	*9MPV075	1.00	1.00	ENH4X43*21**	MV20L24**B*	1.00	0.92
ED*4X60J**	*9MV*1002116A**	1.00	0.96	ENH4X43*21**	NOMV156E19*	1.00	0.92
ED*4X60J**	*9MVX060	1.00	0.93	ENH4X43*21**	*8MPV075	1.00	0.96
ED*4X60J**	*9MVX080	1.00	0.96	ENH4X43*21**	*8MPV100	1.00	0.96
ED*4X60J**	*9MX*1002116A**	0.99	0.93	ENH4X43*21**	*8MPV125	1.00	0.92
ED*4X60J**	-	1.00	1.00	ENH4X43*21**	*9MA*1002120A**	0.98	0.92
ED*4X60L**	*8MV*1102120**	1.00	0.92	ENH4X43*21**	*9MPV075	0.99	0.99
ED*4X60L**	*8MV*1352422**	1.00	0.92	ENH4X43*21**	*9MPV075	0.99	0.99
ED*4X60L**	*8MX*0902116**	1.00	0.92	ENH4X43*21**	*9MPV100	1.00	0.96
ED*4X60L**	*8MX*1102120**	1.00	0.92	ENH4X43*21**	*9MPV100	1.00	0.96
ED*4X60L**	*8MX*1352420**	1.00	0.92	ENH4X43*21**	*9MPV125	1.00	0.96
ED*4X60L**	*9MA*1202422A**	0.98	0.90	ENH4X43*21**	*9MPV125	1.00	0.96
ED*4X60L**	*9MV*1202422A**	0.99	0.91	ENH4X43*21**	*9MV*1002116A**	0.98	0.92
ED*4X60L**				ENH4X43*21**	*9MVX060	1.00	0.96

COOLING Multiplying Factors for other Indoor Combinations

Indoor Model	Furnace Model	CAPACITY (MBh)	Power (AMPS)	Indoor Model	Furnace Model	CAPACITY (MBh)	Power (AMPS)
ED*4X60L**	*9MX*1202422A**	1.00	0.94	ENH4X43*21**	*9MVX060	1.00	0.96
ED*4X60L**	MV16J22**B*	1.00	0.92	ENH4X43*21**	*9MVX080	1.00	0.96
ED*4X60L**	MV20L24**B*	1.00	0.92	ENH4X43*21**	*9MVX080	1.00	0.96
ED*4X60L**	NOMV156E19*	1.00	0.96	ENH4X43*21**	*9MVX100	1.00	0.96
ED*4X60L**	*8MPV100	1.00	0.96	ENH4X43*21**	*9MVX100	1.00	0.96
ED*4X60L**	*8MPV125	1.00	0.96	ENH4X43*21**	*9MX*1002116A**	0.99	0.93
ED*4X60L**	*9MA*1002120A**	0.98	0.92	ENH4X43*21**	OLV112A16A	0.99	0.95
ED*4X60L**	*9MPV100	1.00	0.96	ENH4X43*21**	OLV154F20A	1.01	0.97
ED*4X60L**	*9MPV125	1.00	0.96	ENH4X43*21**	OMV112K14A	0.99	0.95
ED*4X60L**	*9MV*1002116A**	0.99	0.93	ENH4X43*21**	-	1.00	1.00
ED*4X60L**	*9MVX080	1.00	0.96	ENH4X48*21**	*8MV*0701412**	0.99	0.95
ED*4X60L**	*9MVX100	1.00	0.96	ENH4X48*21**	*8MV*0901716**	0.99	0.95
ED*4X60L**	*9MX*1002116A**	0.99	0.93	ENH4X48*21**	*8MV*1102120**	0.99	0.95
ED*4X60L**	-	1.00	1.00	ENH4X48*21**	*8MV*1352422**	0.99	0.91
EHD4X42A**	*8MV*0701412**	0.98	0.94	ENH4X48*21**	*8MX*0701716**	0.99	0.99
EHD4X42A**	*8MV*0901716**	0.98	0.94	ENH4X48*21**	*8MX*0902116**	0.99	0.95
EHD4X42A**	*8MV*1102120**	0.98	0.94	ENH4X48*21**	*8MX*1102120**	0.99	0.91
EHD4X42A**	*8MV*1352422**	0.98	0.90	ENH4X48*21**	*8MX*1352420**	0.99	0.95
EHD4X42A**	*8MX*0701716**	0.98	0.98	ENH4X48*21**	*9MA*0601714A**	0.96	0.93
EHD4X42A**	*8MX*0902116**	0.98	0.94	ENH4X48*21**	*9MA*0602120A**	0.96	0.91
EHD4X42A**	*8MX*1102120**	0.98	0.90	ENH4X48*21**	*9MA*0801714A**	0.96	0.93
EHD4X42A**	*8MX*1352420**	0.98	0.94	ENH4X48*21**	*9MA*0802120A**	0.96	0.89
EHD4X42A**	*9MA*0601714A**	0.96	0.93	ENH4X48*21**	*9MA*1002122A**	0.98	0.90
EHD4X42A**	*9MA*0602120A**	0.96	0.91	ENH4X48*21**	*9MA*1202422A**	0.96	0.91
EHD4X42A**	*9MA*0801714A**	0.96	0.93	ENH4X48*21**	*9MV*0601714A**	0.98	0.98
EHD4X42A**	*9MA*0802120A**	0.98	0.90	ENH4X48*21**	*9MV*0801716A**	0.98	0.94
EHD4X42A**	*9MA*1002122A**	0.98	0.90	ENH4X48*21**	*9MV*0802120A**	0.98	0.90
EHD4X42A**	*9MA*1202422A**	0.98	0.92	ENH4X48*21**	*9MV*1002120A**	0.98	0.90
EHD4X42A**	*9MV*0601714A**	0.98	0.98	ENH4X48*21**	*9MV*1202422A**	0.98	0.92
EHD4X42A**	*9MV*0801716A**	0.98	0.94	ENH4X48*21**	*9MX*0601714A**	0.98	0.94
EHD4X42A**	*9MV*0802120A**	0.98	0.90	ENH4X48*21**	*9MX*0801716A**	0.98	0.94
EHD4X42A**	*9MV*1002120A**	0.98	0.90	ENH4X48*21**	*9MX*0802120A**	0.99	0.93
EHD4X42A**	*9MV*1202422A**	0.98	0.92	ENH4X48*21**	*9MX*1002120A**	0.98	0.90
EHD4X42A**	*9MX*0601714A**	0.98	0.94	ENH4X48*21**	*9MX*1202422A**	0.99	0.93
EHD4X42A**	*9MX*0801716A**	0.98	0.94	ENH4X48*21**	MV12F19**B*	0.99	0.91

COOLING Multiplying Factors for other Indoor Combinations

Indoor Model	Furnace Model	CAPACITY (MBh)	Power (AMPS)	Indoor Model	Furnace Model	CAPACITY (MBh)	Power (AMPS)
EHD4X42A**	*9MX*0802120A**	0.99	0.93	ENH4X48*21**	MV16J22**B*	0.99	0.91
EHD4X42A**	*9MX*1002120A**	0.98	0.90	ENH4X48*21**	MV20L24**B*	0.99	0.91
EHD4X42A**	*9MX*1202422A**	0.99	0.93	ENH4X48*21**	NOMV156E19*	0.99	0.95
EHD4X42A**	MV12F19**B*	0.98	0.90	ENH4X48*21**	*8MPV075	0.99	0.95
EHD4X42A**	MV16J22**B*	0.98	0.90	ENH4X48*21**	*8MPV100	0.99	0.95
EHD4X42A**	MV20L24**B*	0.98	0.90	ENH4X48*21**	*8MPV125	0.99	0.95
EHD4X42A**	NOMV156E19*	0.98	0.94	ENH4X48*21**	*9MA*1002120A**	0.96	0.91
EHD4X42A**	*8MPV075	0.98	0.94	ENH4X48*21**	*9MPV075	0.98	0.98
EHD4X42A**	*8MPV100	0.98	0.94	ENH4X48*21**	*9MPV075	0.98	0.98
EHD4X42A**	*8MPV125	0.98	0.94	ENH4X48*21**	*9MPV100	0.99	0.95
EHD4X42A**	*9MA*1002120A**	0.98	0.92	ENH4X48*21**	*9MPV100	0.99	0.95
EHD4X42A**	*9MPV075	0.98	0.98	ENH4X48*21**	*9MPV125	0.99	0.95
EHD4X42A**	*9MPV100	0.98	0.94	ENH4X48*21**	*9MPV125	0.99	0.95
EHD4X42A**	*9MPV125	0.98	0.94	ENH4X48*21**	*9MV*1002116A**	0.98	0.94
EHD4X42A**	*9MV*1002116A**	0.98	0.94	ENH4X48*21**	*9MVX060	0.99	0.99
EHD4X42A**	*9MVX060	0.98	0.98	ENH4X48*21**	*9MVX060	0.99	0.99
EHD4X42A**	*9MVX080	0.98	0.94	ENH4X48*21**	*9MVX080	0.99	0.95
EHD4X42A**	*9MVX100	0.98	0.94	ENH4X48*21**	*9MVX080	0.99	0.95
EHD4X42A**	*9MX*1002116A**	0.98	0.94	ENH4X48*21**	*9MVX100	0.99	0.95
EHD4X42A**	OLV112A16A	0.98	0.98	ENH4X48*21**	*9MVX100	0.99	0.95
EHD4X42A**	OLV154F20A	1.00	0.96	ENH4X48*21**	*9MX*1002116A**	0.98	0.94
EHD4X42A**	OMV112K14A	0.98	0.94	ENH4X48*21**	OLV112A16A	0.98	0.98
EHD4X48A**	-	0.98	0.98	ENH4X48*21**	OLV154F20A	1.00	0.96
EHD4X48A**	*8MV*0701412**	0.99	0.95	ENH4X48*21**	OMV112K14A	0.98	0.94
EHD4X48A**	*8MV*0901716**	0.99	0.95	ENH4X48*21**	-	0.99	0.99
EHD4X48A**	*8MV*1102120**	0.99	0.95	ENH4X60*24**	*9MA*0601714A**	0.98	0.94
EHD4X48A**	*8MV*1352422**	0.99	0.91	ENH4X60*24**	*9MA*0801714A**	0.98	0.92
EHD4X48A**	*8MX*0701716**	0.99	0.99	ENH4X60*24**	*9MA*1202422A**	0.98	0.90
EHD4X48A**	*8MX*0902116**	0.99	0.95	ENH4X60*24**	*9MV*0601714A**	0.99	0.95
EHD4X48A**	*8MX*1102120**	0.99	0.95	ENH4X60*24**	*9MV*0801716A**	0.99	0.93
EHD4X48A**	*8MX*1352420**	0.99	0.95	ENH4X60*24**	*9MV*1202422A**	0.99	0.91
EHD4X48A**	*9MA*0601714A**	0.96	0.93	ENH4X60*24**	*9MX*0601714A**	0.99	0.95
EHD4X48A**	*9MA*0602120A**	0.98	0.92	ENH4X60*24**	*9MX*0801716A**	0.99	0.95
EHD4X48A**	*9MA*0801714A**	0.98	0.94	ENH4X60*24**	*9MX*1202422A**	1.00	0.94
EHD4X48A**	*9MA*0802120A**	0.98	0.90	ENH4X60*24**	*9MA*1002120A**	0.98	0.92

COOLING Multiplying Factors for other Indoor Combinations

Indoor Model	Furnace Model	CAPACITY (MBh)	Power (AMPS)	Indoor Model	Furnace Model	CAPACITY (MBh)	Power (AMPS)
EHD4X48A**	*9MA*1002122A**	0.99	0.91	ENH4X60*24**	*9MV*1002116A**	0.99	0.93
EHD4X48A**	*9MA*1202422A**	0.98	0.92	ENH4X60*24**	*9MX*1002116A**	0.99	0.93
EHD4X48A**	*9MV*0601714A**	0.98	0.94	FEM4P42**A*	-	0.99	0.95
EHD4X48A**	*9MV*0801716A**	0.98	0.94	FEM4P48**A*	-	0.99	0.95
EHD4X48A**	*9MV*0802120A**	0.98	0.90	FEM4P60**A*	-	1.00	0.96
EHD4X48A**	*9MV*1002120A**	0.98	0.90	FEM4X42****	-	0.99	0.95
EHD4X48A**	*9MV*1202422A**	0.98	0.92	FEM4X48****	-	1.00	0.96
EHD4X48A**	*9MX*0601714A**	0.98	0.94	FEM4X60**B*	-	1.00	0.96
EHD4X48A**	*9MX*0801716A**	0.99	0.95	FS(M,U)4P42**A*	-	0.98	0.98
EHD4X48A**	*9MX*0802120A**	0.99	0.91	FS(M,U)4P48**A*	-	1.00	1.00
EHD4X48A**	*9MX*1002120A**	0.98	0.90	FS(M,U)4X42****	-	0.98	1.02
EHD4X48A**	*9MX*1202422A**	0.99	0.93	FS(M,U)4X48****	-	0.99	1.03
EHD4X48A**	MV12F19**B*	0.99	0.87	FVM4X36****	-	0.96	0.93
EHD4X48A**	MV16J22**B*	0.99	0.91	FVM4X48****	-	0.99	0.91
EHD4X48A**	MV20L24**B*	0.99	0.91	FVM4X60****	-	1.00	0.92
				FXM4X42**A*	-	0.99	0.95
				FXM4X48**A*	-	1.01	0.93
				FXM4X60**A*	-	1.02	0.95

COOLING Multiplying Factors for other Indoor Combinations

Indoor Model	Furnace Model	CAPACITY (MBh)	Power (AMPS)	Indoor Model	Furnace Model	CAPACITY (MBh)	Power (AMPS)
*ED*4X60L**	-	1.00	1.00	EN(A,D)4X48*24**	*9MA*1002122A**	0.97	0.89
EA*4X48*17A*	*8MV*0901716**	0.97	0.91	EN(A,D)4X48*24**	*9MA*1202422A**	0.91	0.88
EA*4X48*17A*	-	0.97	0.93	EN(A,D)4X48*24**	*9MV*0802120A**	0.97	0.89
EA*4X48*21A*	*8MV*0901716**	0.91	0.86	EN(A,D)4X48*24**	*9MV*1002120A**	0.97	0.89
EA*4X48*21A*	*8MV*1102120**	0.91	0.86	EN(A,D)4X48*24**	*9MV*1202422A**	0.97	0.93
EA*4X48*21A*	*8MX*0902116**	0.97	0.91	EN(A,D)4X48*24**	*9MX*0802120A**	0.97	0.91
EA*4X48*21A*	*8MX*1102120**	0.97	0.89	EN(A,D)4X48*24**	*9MX*1002120A**	0.97	0.89
EA*4X48*21A*	*9MA*0602120A**	0.93	0.90	EN(A,D)4X48*24**	*9MX*1202422A**	0.97	0.93
EA*4X48*21A*	*9MA*0802120A**	0.96	0.90	EN(A,D)4X48*24**	MV16J22**B*	0.97	0.89
EA*4X48*21A*	*9MA*1002122A**	0.96	0.88	EN(A,D)4X48*24**	MV20L24**B*	0.97	0.89
EA*4X48*21A*	*9MV*0801716A**	0.91	0.91	EN(A,D)4X48*24**	NOMV156E19*	0.97	0.93
EA*4X48*21A*	*9MV*0802120A**	0.96	0.90	EN(A,D)4X48*24**	*8MPV100	0.97	0.93
EA*4X48*21A*	*9MV*1002120A**	0.96	0.90	EN(A,D)4X48*24**	*8MPV125	0.99	0.95

(C,H,T)XA648

COOLING Multiplying Factors for other Indoor Combinations

Indoor Model	Furnace Model	CAPACITY (MBh)	Power (AMPS)	Indoor Model	Furnace Model	CAPACITY (MBh)	Power (AMPS)
EA*4X48*21A*	*9MX*0802120A**	0.97	0.91	EN(A,D)4X48*24**	*9MA*1002120A**	0.91	0.88
EA*4X48*21A*	*9MX*1002120A**	0.91	0.86	EN(A,D)4X48*24**	*9MPV100	0.97	0.93
EA*4X48*21A*	*9MA*1002120A**	0.91	0.91	EN(A,D)4X48*24**	*9MPV100	0.97	0.93
EA*4X48*21A*	*9MV*1002116A**	0.91	0.91	EN(A,D)4X48*24**	*9MPV125	0.97	0.93
EA*4X48*21A*	*9MX*1002116A**	0.91	0.91	EN(A,D)4X48*24**	*9MPV125	0.97	0.93
EA*4X48*21A*	-	0.97	0.95	EN(A,D)4X48*24**	*9MV*1002116A**	0.97	0.97
EA*4X48*24A*	*8MV*1102120**	0.91	0.84	EN(A,D)4X48*24**	*9MVX080	0.97	0.93
EA*4X48*24A*	*8MV*1352422**	0.97	0.89	EN(A,D)4X48*24**	*9MVX080	0.97	0.93
EA*4X48*24A*	*8MX*0902116**	0.97	0.91	EN(A,D)4X48*24**	*9MVX100	0.97	0.93
EA*4X48*24A*	*8MX*1102120**	0.97	0.89	EN(A,D)4X48*24**	*9MVX100	0.97	0.93
EA*4X48*24A*	*8MX*1352420**	0.97	0.89	EN(A,D)4X48*24**	*9MX*1002116A**	0.97	0.97
EA*4X48*24A*	*9MA*0602120A**	0.95	0.91	EN(A,D)4X48*24**	OLV112A16A	0.97	0.97
EA*4X48*24A*	*9MA*0802120A**	0.96	0.88	EN(A,D)4X48*24**	OLV154F20A	0.98	0.98
EA*4X48*24A*	*9MA*1002122A**	0.97	0.89	EN(A,D)4X48*24**	-	0.97	0.97
EA*4X48*24A*	*9MA*1202422A**	0.91	0.88	EN(A,D)4X61*24**	*8MV*1102120**	1.00	0.92
EA*4X48*24A*	*9MV*0802120A**	0.96	0.90	EN(A,D)4X61*24**	*8MV*1352422**	1.00	0.92
EA*4X48*24A*	*9MV*1002120A**	0.97	0.89	EN(A,D)4X61*24**	*8MX*0902116**	1.00	0.92
EA*4X48*24A*	*9MV*1202422A**	0.97	0.93	EN(A,D)4X61*24**	*8MX*1102120**	1.00	0.92
EA*4X48*24A*	*9MX*0802120A**	0.97	0.91	EN(A,D)4X61*24**	*8MX*1352420**	1.00	0.92
EA*4X48*24A*	*9MX*1002120A**	0.97	0.91	EN(A,D)4X61*24**	*9MA*0602120A**	0.98	0.90
EA*4X48*24A*	*9MX*1202422A**	0.97	0.93	EN(A,D)4X61*24**	*9MA*0802120A**	0.99	0.88
EA*4X48*24A*	*9MA*1002120A**	0.91	0.88	EN(A,D)4X61*24**	*9MA*1002122A**	0.99	0.88
EA*4X48*24A*	*9MV*1002116A**	0.91	0.91	EN(A,D)4X61*24**	*9MA*1202422A**	0.99	0.91
EA*4X48*24A*	*9MX*1002116A**	0.91	0.91	EN(A,D)4X61*24**	*9MV*0802120A**	0.99	0.88
EA*4X48*24A*	-	0.97	0.95	EN(A,D)4X61*24**	*9MV*1002120A**	1.00	0.89
EA*4X60*21A*	*8MV*0901716**	0.98	0.90	EN(A,D)4X61*24**	*9MV*1202422A**	0.99	0.91
EA*4X60*21A*	*8MV*1102120**	0.98	0.90	EN(A,D)4X61*24**	*9MX*0802120A**	1.00	0.89
EA*4X60*21A*	*8MX*0902116**	0.98	0.90	EN(A,D)4X61*24**	*9MX*1002120A**	1.00	0.92
EA*4X60*21A*	*8MX*1102120**	0.97	0.89	EN(A,D)4X61*24**	MV16J22**B*	1.00	0.92
EA*4X60*21A*	*9MA*0602120A**	0.97	0.89	EN(A,D)4X61*24**	MV20L24**B*	1.00	0.92
EA*4X60*21A*	*9MA*0802120A**	0.98	0.90	EN(A,D)4X61*24**	NOMV156E19*	1.00	0.96
EA*4X60*21A*	*9MA*1002122A**	0.97	0.93	EN(A,D)4X61*24**	*8MPV100	1.00	0.92
EA*4X60*21A*	*9MV*0801716A**	0.98	0.90	EN(A,D)4X61*24**	*8MPV125	1.00	0.92
EA*4X60*21A*	*9MV*0802120A**	0.98	0.90	EN(A,D)4X61*24**	*9MA*1002120A**	0.99	0.93

COOLING Multiplying Factors for other Indoor Combinations

Indoor Model	Furnace Model	CAPACITY (MBh)	Power (AMPS)	Indoor Model	Furnace Model	CAPACITY (MBh)	Power (AMPS)
EA*4X60*21A*	*9MX*0802120A**	0.98	0.90	EN(A,D)4X61*24**	*9MPV100	1.00	0.96
EA*4X60*21A*	*9MX*1002120A**	0.98	0.90	EN(A,D)4X61*24**	*9MPV100	1.00	0.96
EA*4X60*21A*	*9MA*1002120A**	0.97	0.93	EN(A,D)4X61*24**	*9MPV125	1.00	0.96
EA*4X60*21A*	*9MV*1002116A**	0.98	0.94	EN(A,D)4X61*24**	*9MPV125	1.00	0.96
EA*4X60*21A*	*9MX*1002116A**	0.98	0.94	EN(A,D)4X61*24**	*9MV*1002116A**	0.99	0.93
EA*4X60*21A*	-	0.99	0.95	EN(A,D)4X61*24**	*9MVX080	1.00	0.96
EA*4X60*24A*	*8MV*1102120**	0.98	0.90	EN(A,D)4X61*24**	*9MVX080	1.00	0.96
EA*4X60*24A*	*8MV*1352422**	0.98	0.90	EN(A,D)4X61*24**	*9MVX100	1.00	0.96
EA*4X60*24A*	*8MX*0902116**	0.99	0.91	EN(A,D)4X61*24**	*9MVX100	1.00	0.96
EA*4X60*24A*	*8MX*1102120**	0.99	0.91	EN(A,D)4X61*24**	*9MX*1002116A**	0.99	0.93
EA*4X60*24A*	*8MX*1352420**	0.99	0.91	EN(A,D)4X61*24**	OLV112A16A	0.99	0.95
EA*4X60*24A*	*9MA*0602120A**	0.97	0.91	EN(A,D)4X61*24**	OLV154F20A	1.01	0.97
EA*4X60*24A*	*9MA*0802120A**	0.97	0.89	EN(A,D)4X61*24**	-	1.00	1.00
EA*4X60*24A*	*9MA*1002122A**	0.98	0.90	EN(A,D,W)4X48*21**	*8MV*0901716**	0.98	0.94
EA*4X60*24A*	*9MA*1202422A**	0.98	0.92	EN(A,D,W)4X48*21**	*8MV*1102120**	0.98	0.94
EA*4X60*24A*	*9MV*0802120A**	0.98	0.90	EN(A,D,W)4X48*21**	*8MX*0701716**	0.97	1.01
EA*4X60*24A*	*9MV*1002120A**	0.98	0.90	EN(A,D,W)4X48*21**	*8MX*0902116**	0.97	0.93
EA*4X60*24A*	*9MV*1202422A**	0.98	0.92	EN(A,D,W)4X48*21**	*8MX*1102120**	0.97	0.93
EA*4X60*24A*	*9MX*0802120A**	0.98	0.90	EN(A,D,W)4X48*21**	*9MA*0602120A**	0.96	0.90
EA*4X60*24A*	*9MX*1002120A**	0.98	0.90	EN(A,D,W)4X48*21**	*9MA*0802120A**	0.96	0.88
EA*4X60*24A*	*9MX*1202422A**	0.99	0.93	EN(A,D,W)4X48*21**	*9MA*1002122A**	0.97	0.89
EA*4X60*24A*	*9MA*1002120A**	0.97	0.93	EN(A,D,W)4X48*21**	*9MV*0801716A**	0.91	0.91
EA*4X60*24A*	*9MV*1002116A**	0.98	0.94	EN(A,D,W)4X48*21**	*9MV*0802120A**	0.97	0.89
EA*4X60*24A*	*9MX*1002116A**	0.98	0.94	EN(A,D,W)4X48*21**	*9MV*1002120A**	0.97	0.89
EA*4X60*24A*	-	0.99	0.95	EN(A,D,W)4X48*21**	*9MX*0801716A**	0.91	0.91
ED*4X48F**	*9MA*0602120A**	0.96	0.92	EN(A,D,W)4X48*21**	*9MX*0802120A**	0.97	0.91
ED*4X48F**	*9MA*0802120A**	0.96	0.88	EN(A,D,W)4X48*21**	*9MX*1002120A**	0.97	0.89
ED*4X48F**	*9MA*1002122A**	0.97	0.89	EN(A,D,W)4X48*21**	NOMV156E19*	0.97	0.93
ED*4X48F**	*9MV*0802120A**	0.97	0.91	EN(A,D,W)4X48*21**	*9MA*1002120A**	0.91	0.88
ED*4X48F**	*9MV*1002120A**	0.97	0.89	EN(A,D,W)4X48*21**	*9MPV100	0.97	0.97
ED*4X48F**	*9MX*0802120A**	0.97	0.91	EN(A,D,W)4X48*21**	*9MV*1002116A**	0.97	0.97
ED*4X48F**	*9MX*1002120A**	0.97	0.89	EN(A,D,W)4X48*21**	*9MVX080	0.97	0.97
ED*4X48F**	*9MA*1002120A**	0.91	0.88	EN(A,D,W)4X48*21**	*9MX*1002116A**	0.97	0.97
ED*4X48F**	*9MV*1002116A**	0.97	0.97	EN(A,D,W)4X48*21**	OLV112A16A	0.97	0.97
ED*4X48F**	*9MX*1002116A**	0.97	0.97	EN(A,D,W)4X48*21**	-	0.98	0.98

COOLING Multiplying Factors for other Indoor Combinations

Indoor Model	Furnace Model	CAPACITY (MBh)	Power (AMPS)	Indoor Model	Furnace Model	CAPACITY (MBh)	Power (AMPS)
ED*4X48F**	OLV112A16A	0.97	0.97	EN(A,D,W)4X60*24**	*8MV*1102120**	0.99	0.95
ED*4X48F**	-	0.98	0.98	EN(A,D,W)4X60*24**	*8MV*1352422**	0.99	0.91
ED*4X48J**	*9MA*0602120A**	0.91	0.88	EN(A,D,W)4X60*24**	*8MX*0902116**	0.99	0.95
ED*4X48J**	*9MA*0802120A**	0.91	0.86	EN(A,D,W)4X60*24**	*8MX*1102120**	0.99	0.91
ED*4X48J**	*9MA*1002122A**	0.91	0.84	EN(A,D,W)4X60*24**	*8MX*1352420**	0.99	0.95
ED*4X48J**	*9MA*1202422A**	0.91	0.88	EN(A,D,W)4X60*24**	*9MA*0602120A**	0.97	0.91
ED*4X48J**	*9MV*0802120A**	0.96	0.90	EN(A,D,W)4X60*24**	*9MA*0802120A**	0.97	0.89
ED*4X48J**	*9MV*1002120A**	0.96	0.90	EN(A,D,W)4X60*24**	*9MA*1002122A**	0.98	0.90
ED*4X48J**	*9MV*1202422A**	0.91	0.88	EN(A,D,W)4X60*24**	*9MA*1202422A**	0.97	0.91
ED*4X48J**	*9MX*0802120A**	0.97	0.91	EN(A,D,W)4X60*24**	*9MV*0802120A**	0.98	0.90
ED*4X48J**	*9MX*1002120A**	0.91	0.86	EN(A,D,W)4X60*24**	*9MV*1002120A**	0.98	0.90
ED*4X48J**	*9MX*1202422A**	0.97	0.93	EN(A,D,W)4X60*24**	*9MV*1202422A**	0.98	0.92
ED*4X48J**	MV16J22**B*	0.98	0.90	EN(A,D,W)4X60*24**	*9MX*0802120A**	0.98	0.90
ED*4X48J**	*8MPV100	0.98	0.94	EN(A,D,W)4X60*24**	*9MX*1002120A**	0.98	0.90
ED*4X48J**	*8MPV125	0.98	0.94	EN(A,D,W)4X60*24**	*9MX*1202422A**	0.99	0.93
ED*4X48J**	*9MA*1002120A**	0.91	0.91	EN(A,D,W)4X60*24**	MV16J22**B*	0.99	0.91
ED*4X48J**	*9MPV100	0.98	0.98	EN(A,D,W)4X60*24**	MV20L24**B*	0.99	0.91
ED*4X48J**	*9MV*1002116A**	0.91	0.91	EN(A,D,W)4X60*24**	NOMV156E19*	0.99	0.95
ED*4X48J**	*9MVX080	0.98	0.98	EN(A,D,W)4X60*24**	*8MPV100	0.99	0.95
ED*4X48J**	*9MX*1002116A**	0.91	0.91	EN(A,D,W)4X60*24**	*8MPV125	0.99	0.95
ED*4X48J**	OLV112A16A	0.96	0.96	EN(A,D,W)4X60*24**	*9MA*1002120A**	0.97	0.93
ED*4X48J**	-	0.98	0.98	EN(A,D,W)4X60*24**	*9MPV100	0.99	0.95
ED*4X48L**	*8MV*1352422**	0.98	0.94	EN(A,D,W)4X60*24**	*9MPV100	0.99	0.95
ED*4X48L**	*8MX*1352420**	0.98	0.94	EN(A,D,W)4X60*24**	*9MPV125	0.99	0.95
ED*4X48L**	*9MA*0602120A**	0.95	0.91	EN(A,D,W)4X60*24**	*9MPV125	0.99	0.95
ED*4X48L**	*9MA*0802120A**	0.96	0.88	EN(A,D,W)4X60*24**	*9MV*1002116A**	0.98	0.94
ED*4X48L**	*9MA*1002122A**	0.97	0.89	EN(A,D,W)4X60*24**	*9MVX080	0.99	0.95
ED*4X48L**	*9MA*1202422A**	0.91	0.88	EN(A,D,W)4X60*24**	*9MVX080	0.99	0.95
ED*4X48L**	*9MV*0802120A**	0.96	0.90	EN(A,D,W)4X60*24**	*9MVX100	0.99	0.95
ED*4X48L**	*9MV*1002120A**	0.97	0.89	EN(A,D,W)4X60*24**	*9MVX100	0.99	0.95
ED*4X48L**	*9MV*1202422A**	0.97	0.93	EN(A,D,W)4X60*24**	*9MX*1002116A**	0.98	0.94
ED*4X48L**	*9MX*0802120A**	0.97	0.91	EN(A,D,W)4X60*24**	OLV112A16A	0.98	0.98
ED*4X48L**	*9MX*1002120A**	0.97	0.91	EN(A,D,W)4X60*24**	OLV154F20A	1.00	0.96
ED*4X48L**	*9MX*1202422A**	0.97	0.93	EN(A,D,W)4X60*24**	-	0.99	0.99
ED*4X48L**	MV20L24**B*	0.98	0.90	ENH4X48*21**	*8MV*0901716**	0.98	0.94

COOLING Multiplying Factors for other Indoor Combinations

Indoor Model	Furnace Model	CAPACITY (MBh)	Power (AMPS)	Indoor Model	Furnace Model	CAPACITY (MBh)	Power (AMPS)
ED*4X48L**	*9MA*1002120A**	0.91	0.88	ENH4X48*21**	*8MV*1102120**	0.98	0.94
ED*4X48L**	*9MPV125	0.98	0.94	ENH4X48*21**	*8MV*1352422**	0.98	0.94
ED*4X48L**	*9MV*1002116A**	0.91	0.91	ENH4X48*21**	*8MX*0701716**	0.97	1.01
ED*4X48L**	*9MVX100	0.98	0.94	ENH4X48*21**	*8MX*0902116**	0.98	0.94
ED*4X48L**	*9MX*1002116A**	0.91	0.91	ENH4X48*21**	*8MX*1102120**	0.98	0.94
ED*4X48L**	OLV112A16A	0.96	0.96	ENH4X48*21**	*8MX*1352420**	0.98	0.94
ED*4X48L**	OLV154F20A	0.98	0.98	ENH4X48*21**	*9MA*0602120A**	0.96	0.90
ED*4X48L**	-	0.98	0.98	ENH4X48*21**	*9MA*0802120A**	0.96	0.88
ED*4X60J**	*9MA*0602120A**	0.97	0.91	ENH4X48*21**	*9MA*1002122A**	0.97	0.89
ED*4X60J**	*9MA*0802120A**	0.97	0.89	ENH4X48*21**	*9MA*1202422A**	0.91	0.88
ED*4X60J**	*9MA*1002122A**	0.98	0.90	ENH4X48*21**	*9MV*0801716A**	0.91	0.91
ED*4X60J**	*9MA*1202422A**	0.97	0.91	ENH4X48*21**	*9MV*0802120A**	0.97	0.89
ED*4X60J**	*9MV*0802120A**	0.98	0.90	ENH4X48*21**	*9MV*1002120A**	0.97	0.89
ED*4X60J**	*9MV*1002120A**	0.98	0.90	ENH4X48*21**	*9MV*1202422A**	0.97	0.93
ED*4X60J**	*9MV*1202422A**	0.98	0.92	ENH4X48*21**	*9MX*0801716A**	0.91	0.91
ED*4X60J**	*9MX*0802120A**	0.98	0.90	ENH4X48*21**	*9MX*0802120A**	0.97	0.91
ED*4X60J**	*9MX*1002120A**	0.98	0.90	ENH4X48*21**	*9MX*1002120A**	0.97	0.89
ED*4X60J**	*9MX*1202422A**	0.98	0.92	ENH4X48*21**	*9MX*1202422A**	0.97	0.93
ED*4X60J**	MV16J22**B*	1.00	0.92	ENH4X48*21**	MV16J22**B*	0.98	0.90
ED*4X60J**	*8MPV100	1.00	0.96	ENH4X48*21**	MV20L24**B*	0.98	0.90
ED*4X60J**	*8MPV125	1.00	0.96	ENH4X48*21**	NOMV156E19*	0.98	0.94
ED*4X60J**	*9MA*1002120A**	0.97	0.93	ENH4X48*21**	*8MPV100	0.98	0.94
ED*4X60J**	*9MPV100	1.00	0.96	ENH4X48*21**	*8MPV125	0.98	0.94
ED*4X60J**	*9MV*1002116A**	0.98	0.94	ENH4X48*21**	*9MA*1002120A**	0.91	0.88
ED*4X60J**	*9MVX080	1.00	0.96	ENH4X48*21**	*9MPV100	0.97	0.97
ED*4X60J**	*9MX*1002116A**	0.98	0.94	ENH4X48*21**	*9MPV100	0.97	0.97
ED*4X60J**	OLV112A16A	0.98	0.98	ENH4X48*21**	*9MPV125	0.97	0.93
ED*4X60J**	-	1.00	1.00	ENH4X48*21**	*9MPV125	0.97	0.93
ED*4X60L**	*8MV*1352422**	0.99	0.95	ENH4X48*21**	*9MV*1002116A**	0.97	0.97
ED*4X60L**	*8MX*1352420**	1.00	0.96	ENH4X48*21**	*9MVX080	0.98	0.94
ED*4X60L**	*9MA*0602120A**	0.97	0.91	ENH4X48*21**	*9MVX080	0.98	0.94
ED*4X60L**	*9MA*0802120A**	0.97	0.89	ENH4X48*21**	*9MVX100	0.98	0.94
ED*4X60L**	*9MA*1002122A**	0.98	0.90	ENH4X48*21**	*9MVX100	0.98	0.94
ED*4X60L**	*9MA*1202422A**	0.98	0.92	ENH4X48*21**	*9MX*1002116A**	0.97	0.97
ED*4X60L**	*9MV*0802120A**	0.98	0.90	ENH4X48*21**	OLV112A16A	0.97	0.97

COOLING Multiplying Factors for other Indoor Combinations

Indoor Model	Furnace Model	CAPACITY (MBh)	Power (AMPS)	Indoor Model	Furnace Model	CAPACITY (MBh)	Power (AMPS)
ED*4X60L**	*9MV*1002120A**	0.98	0.90	ENH4X48*21**	OLV154F20A	0.98	0.98
ED*4X60L**	*9MV*1202422A**	0.98	0.92	ENH4X48*21**	-	0.98	0.98
ED*4X60L**	*9MX*0802120A**	0.98	0.90	ENH4X60*24**	*8MV*0901716**	0.99	0.95
ED*4X60L**	*9MX*1002120A**	0.98	0.90	ENH4X60*24**	*8MV*1102120**	0.99	0.95
ED*4X60L**	*9MX*1202422A**	0.99	0.93	ENH4X60*24**	*8MV*1352422**	0.99	0.91
ED*4X60L**	MV20L24**B*	1.00	0.92	ENH4X60*24**	*8MX*0701716**	0.99	0.99
ED*4X60L**	*9MA*1002120A**	0.97	0.93	ENH4X60*24**	*8MX*0902116**	0.99	0.95
ED*4X60L**	*9MPV125	1.00	0.96	ENH4X60*24**	*8MX*1102120**	0.99	0.91
ED*4X60L**	*9MV*1002116A**	0.98	0.94	ENH4X60*24**	*8MX*1352420**	0.99	0.95
ED*4X60L**	*9MVX100	0.99	0.95	ENH4X60*24**	*9MA*0602120A**	0.97	0.91
ED*4X60L**	*9MX*1002116A**	0.98	0.94	ENH4X60*24**	*9MA*0802120A**	0.97	0.89
ED*4X60L**	OLV112A16A	0.98	0.98	ENH4X60*24**	*9MA*1002122A**	0.98	0.90
ED*4X60L**	OLV154F20A	1.00	0.96	ENH4X60*24**	*9MA*1202422A**	0.97	0.91
EHD4X48A**	*8MV*0901716**	0.98	0.94	ENH4X60*24**	*9MV*0801716A**	0.98	0.94
EHD4X48A**	*8MV*1102120**	0.98	0.94	ENH4X60*24**	*9MV*0802120A**	0.98	0.90
EHD4X48A**	*8MV*1352422**	0.98	0.94	ENH4X60*24**	*9MV*1002120A**	0.98	0.90
EHD4X48A**	*8MX*0701716**	0.98	1.02	ENH4X60*24**	*9MV*1202422A**	0.98	0.92
EHD4X48A**	*8MX*0902116**	0.98	0.94	ENH4X60*24**	*9MX*0801716A**	0.98	0.94
EHD4X48A**	*8MX*1102120**	0.98	0.94	ENH4X60*24**	*9MX*0802120A**	0.98	0.90
EHD4X48A**	*8MX*1352420**	0.98	0.94	ENH4X60*24**	*9MX*1002120A**	0.98	0.90
EHD4X48A**	*9MA*0602120A**	0.96	0.90	ENH4X60*24**	*9MX*1202422A**	0.99	0.93
EHD4X48A**	*9MA*0802120A**	0.97	0.89	ENH4X60*24**	MV16J22**B*	0.99	0.91
EHD4X48A**	*9MA*1002122A**	0.98	0.90	ENH4X60*24**	MV20L24**B*	0.99	0.91
EHD4X48A**	*9MA*1202422A**	0.97	0.93	ENH4X60*24**	NOMV156E19*	0.99	0.95
EHD4X48A**	*9MV*0801716A**	0.91	0.88	ENH4X60*24**	*8MPV100	0.99	0.95
EHD4X48A**	*9MV*0802120A**	0.97	0.89	ENH4X60*24**	*8MPV125	0.99	0.95
EHD4X48A**	*9MV*1002120A**	0.97	0.89	ENH4X60*24**	*9MA*1002120A**	0.97	0.93
EHD4X48A**	*9MV*1202422A**	0.97	0.91	ENH4X60*24**	*9MPV100	0.99	0.95
EHD4X48A**	*9MX*0802120A**	0.98	0.90	ENH4X60*24**	*9MPV100	0.99	0.95
EHD4X48A**	*9MX*1002120A**	0.97	0.89	ENH4X60*24**	*9MPV125	0.99	0.95
EHD4X48A**	*9MX*1202422A**	0.98	0.94	ENH4X60*24**	*9MPV125	0.99	0.95
EHD4X48A**	MV16J22**B*	0.98	0.90	ENH4X60*24**	*9MV*1002116A**	0.98	0.94
EHD4X48A**	MV20L24**B*	0.98	0.90	ENH4X60*24**	*9MVX080	0.99	0.95
EHD4X48A**	NOMV156E19*	0.98	0.94	ENH4X60*24**	*9MVX080	0.99	0.95
EHD4X48A**	*8MPV100	0.98	0.94	ENH4X60*24**	*9MVX100	0.99	0.95

COOLING Multiplying Factors for other Indoor Combinations

Indoor Model	Furnace Model	CAPACITY (MBh)	Power (AMPS)	Indoor Model	Furnace Model	CAPACITY (MBh)	Power (AMPS)
EHD4X48A**	*8MPV125	0.98	0.94	ENH4X60*24**	*9MVX100	0.99	0.95
EHD4X48A**	*9MA*1002120A**	0.97	0.93	ENH4X60*24**	*9MX*1002116A**	0.98	0.94
EHD4X48A**	*9MPV100	0.98	0.94	ENH4X60*24**	OLV112A16A	0.98	0.98
EHD4X48A**	*9MPV125	0.98	0.94	ENH4X60*24**	OLV154F20A	1.00	0.96
EHD4X48A**	*9MV*1002116A**	0.97	0.97	ENH4X60*24**	-	0.99	0.99
EHD4X48A**	*9MVX080	0.98	0.94	ENH4X61*24**	*8MV*0901716**	0.99	0.95
EHD4X48A**	*9MVX100	0.98	0.94	ENH4X61*24**	*8MV*1102120**	0.99	0.95
EHD4X48A**	*9MX*1002116A**	0.97	0.93	ENH4X61*24**	*8MV*1352422**	0.99	0.91
EHD4X48A**	OLV112A16A	0.97	0.97	ENH4X61*24**	*8MX*0701716**	0.99	0.99
EHD4X48A**	OLV154F20A	0.99	0.99	ENH4X61*24**	*8MX*0902116**	0.99	0.95
EHD4X48A**	-	0.98	0.98	ENH4X61*24**	*8MX*1102120**	0.99	0.91
EHD4X60A**	*8MV*0901716**	0.98	0.94	ENH4X61*24**	*8MX*1352420**	0.99	0.91
EHD4X60A**	*8MV*1102120**	0.98	0.90	ENH4X61*24**	*9MA*0602120A**	0.97	0.91
EHD4X60A**	*8MV*1352422**	0.98	0.90	ENH4X61*24**	*9MA*0802120A**	0.98	0.90
EHD4X60A**	*8MX*0701716**	0.98	0.98	ENH4X61*24**	*9MA*1002122A**	0.99	0.90
EHD4X60A**	*8MX*0902116**	0.98	0.94	ENH4X61*24**	*9MA*1202422A**	0.98	0.92
EHD4X60A**	*8MX*1102120**	0.98	0.90	ENH4X61*24**	*9MV*0801716A**	0.97	0.93
EHD4X60A**	*8MX*1352420**	0.98	0.90	ENH4X61*24**	*9MV*0802120A**	0.98	0.90
EHD4X60A**	*9MA*0602120A**	0.97	0.89	ENH4X61*24**	*9MV*1002120A**	0.99	0.91
EHD4X60A**	*9MA*0802120A**	0.98	0.90	ENH4X61*24**	*9MV*1202422A**	0.99	0.93
EHD4X60A**	*9MA*1002122A**	0.99	0.88	ENH4X61*24**	*9MX*0802120A**	0.99	0.91
EHD4X60A**	*9MA*1202422A**	0.98	0.92	ENH4X61*24**	*9MX*1002120A**	0.99	0.91
EHD4X60A**	*9MV*0801716A**	0.98	0.94	ENH4X61*24**	*9MX*1202422A**	0.99	0.93
EHD4X60A**	*9MV*0802120A**	0.99	0.91	ENH4X61*24**	MV16J22**B*	0.99	0.91
EHD4X60A**	*9MV*1002120A**	0.99	0.90	ENH4X61*24**	MV20L24**B*	0.99	0.91
EHD4X60A**	*9MV*1202422A**	0.99	0.93	ENH4X61*24**	NOMV156E19*	0.99	0.95
EHD4X60A**	*9MX*0801716A**	0.98	0.94	ENH4X61*24**	*8MPV100	0.98	0.94
EHD4X60A**	*9MX*0802120A**	0.99	0.91	ENH4X61*24**	*8MPV125	0.99	0.91
EHD4X60A**	*9MX*1002120A**	0.99	0.90	ENH4X61*24**	*9MA*1002120A**	0.98	0.94
EHD4X60A**	*9MX*1202422A**	0.99	0.93	ENH4X61*24**	*9MPV100	0.99	0.95
EHD4X60A**	MV16J22**B*	0.98	0.90	ENH4X61*24**	*9MPV100	0.99	0.95
EHD4X60A**	MV20L24**B*	0.98	0.90	ENH4X61*24**	*9MPV125	0.99	0.95
EHD4X60A**	NOMV156E19*	0.98	0.94	ENH4X61*24**	*9MPV125	0.99	0.95
EHD4X60A**	*8MPV100	0.98	0.94	ENH4X61*24**	*9MV*1002116A**	0.99	0.95
EHD4X60A**	*8MPV125	0.98	0.90	ENH4X61*24**	*9MVX080	0.99	0.95

COOLING Multiplying Factors for other Indoor Combinations

Indoor Model	Furnace Model	CAPACITY (MBh)	Power (AMPS)	Indoor Model	Furnace Model	CAPACITY (MBh)	Power (AMPS)
EHD4X60A**	*9MA*1002120A**	0.98	0.92	ENH4X61*24**	*9MVX080	0.99	0.95
EHD4X60A**	*9MPV100	0.98	0.94	ENH4X61*24**	*9MVX100	0.99	0.95
EHD4X60A**	*9MPV125	0.98	0.94	ENH4X61*24**	*9MVX100	0.99	0.95
EHD4X60A**	*9MV*1002116A**	0.99	0.95	ENH4X61*24**	*9MX*1002116A**	0.98	0.94
EHD4X60A**	*9MVX080	0.98	0.94	ENH4X61*24**	OLV112A16A	0.98	0.98
EHD4X60A**	*9MVX100	0.98	0.94	ENH4X61*24**	OLV154F20A	1.00	0.96
EHD4X60A**	*9MX*1002116A**	0.99	0.95	ENH4X61*24**	-	0.99	0.99
EHD4X60A**	OLV112A16A	0.99	0.99	FEM4P48**A*	-	0.98	0.98
EHD4X60A**	OLV154F20A	1.00	0.96	FEM4P60**A*	-	1.00	0.96
EHD4X60A**	-	0.98	0.94	FEM4X48***	-	1.00	0.96
EHA4X48D**	-	0.97	0.97	FEM4X60***	-	1.01	0.93
EN(A,D)4X48*24**	*8MV*1102120**	0.97	0.93	FEM4X60**B*	-	1.00	0.96
EN(A,D)4X48*24**	*8MV*1352422**	0.97	0.93	FS(M,U)4P48**A*	-	0.99	0.95
EN(A,D)4X48*24**	*8MX*0902116**	0.97	0.93	FS(M,U)4X48***	-	0.99	0.99
EN(A,D)4X48*24**	*8MX*1102120**	0.97	0.93	FS(M,U)4X60**A*	-	1.00	1.00
EN(A,D)4X48*24**	*8MX*1352420**	0.97	0.93	FVM4X48***	-	1.00	0.92
EN(A,D)4X48*24**	*9MA*0602120A**	0.95	0.89	FVM4X60***	-	1.01	0.93
EN(A,D)4X48*24**	*9MA*0802120A**	0.95	0.87	FXM4X48**A*	-	1.00	0.92
				FXM4X60**A*	-	1.01	0.93

COOLING Multiplying Factors for other Indoor Combinations

Indoor Model	Furnace Model	CAPACITY (MBh)	Power (AMPS)	Indoor Model	Furnace Model	CAPACITY (MBh)	Power (AMPS)
*ED*4X60L**	-	1.00	1.00	EN(A,D)4X48*24**	*9MA*1002122A**	0.98	0.92
EA*4X48*17A*	*8MV*0901716**	0.98	0.94	EN(A,D)4X48*24**	*9MA*1202422A**	0.98	0.94
EA*4X48*17A*	-	0.98	0.98	EN(A,D)4X48*24**	*9MV*0802120A**	0.98	0.94
EA*4X48*21A*	*8MV*0901716**	0.98	0.94	EN(A,D)4X48*24**	*9MV*1002120A**	0.98	0.94
EA*4X48*21A*	*8MV*1102120**	0.98	0.94	EN(A,D)4X48*24**	*9MV*1202422A**	0.98	0.94
EA*4X48*21A*	*8MX*0902116**	0.98	0.94	EN(A,D)4X48*24**	*9MX*0802120A**	0.99	0.95
EA*4X48*21A*	*8MX*1102120**	0.98	0.92	EN(A,D)4X48*24**	*9MX*1002120A**	0.98	0.94
EA*4X48*21A*	*9MA*0602120A**	0.97	0.95	EN(A,D)4X48*24**	*9MX*1202422A**	0.99	0.95
EA*4X48*21A*	*9MA*0802120A**	0.97	0.93	EN(A,D)4X48*24**	MV16J22**B*	0.99	0.91
EA*4X48*21A*	*9MA*1002122A**	0.98	0.94	EN(A,D)4X48*24**	MV20L24**B*	0.99	0.91
EA*4X48*21A*	*9MV*0801716A**	0.96	0.93	EN(A,D)4X48*24**	NOMV156E19*	0.99	0.95
EA*4X48*21A*	*9MV*0802120A**	0.98	0.94	EN(A,D)4X48*24**	*8MPV100	0.99	0.95

(C,H,T)XA649

COOLING Multiplying Factors for other Indoor Combinations

Indoor Model	Furnace Model	Indoor Model	Power (AMPS)	Indoor Model	Furnace Model	Power (AMPS)	CAPACITY (MBh)	Indoor Model	Power (AMPS)	CAPACITY (MBh)	Furnace Model	Power (AMPS)
EA*4X48*21A*	*9MV*1002120A**	EN(A,D)4X48*24**	0.94	EN(A,D)4X48*24**	*8MPV125	0.94	0.98	EN(A,D)4X48*24**	0.94	0.98	*9MA*1002120A**	0.94
EA*4X48*21A*	*9MX*0802120A**	EN(A,D)4X48*24**	0.94	EN(A,D)4X48*24**	*9MA*1002120A**	0.94	0.98	EN(A,D)4X48*24**	0.94	0.98	*9MA*1002120A**	0.94
EA*4X48*21A*	*9MX*1002120A**	EN(A,D)4X48*24**	0.94	EN(A,D)4X48*24**	*9MPV100	0.94	0.98	EN(A,D)4X48*24**	0.94	0.99	*9MPV100	0.94
EA*4X48*21A*	*9MA*1002120A**	EN(A,D)4X48*24**	0.94	EN(A,D)4X48*24**	*9MPV100	0.94	0.97	EN(A,D)4X48*24**	0.94	0.99	*9MPV100	0.94
EA*4X48*21A*	*9MV*1002116A**	EN(A,D)4X48*24**	0.95	EN(A,D)4X48*24**	*9MPV125	0.95	0.98	EN(A,D)4X48*24**	0.95	0.99	*9MPV125	0.95
EA*4X48*21A*	*9MX*1002116A**	EN(A,D)4X48*24**	0.94	EN(A,D)4X48*24**	*9MPV125	0.94	0.97	EN(A,D)4X48*24**	0.94	0.99	*9MPV125	0.94
EA*4X48*21A*	-	EN(A,D)4X48*24**	0.99	EN(A,D)4X48*24**	*9MV*1002116A**	0.99	0.99	EN(A,D)4X48*24**	0.99	0.98	*9MV*1002116A**	0.99
EA*4X48*24A*	*8MV*1102120**	EN(A,D)4X48*24**	0.94	EN(A,D)4X48*24**	*9MVX080	0.94	0.98	EN(A,D)4X48*24**	0.94	0.99	*9MVX080	0.94
EA*4X48*24A*	*8MV*1352422**	EN(A,D)4X48*24**	0.92	EN(A,D)4X48*24**	*9MVX080	0.92	0.98	EN(A,D)4X48*24**	0.92	0.99	*9MVX080	0.92
EA*4X48*24A*	*8MX*0902116**	EN(A,D)4X48*24**	0.94	EN(A,D)4X48*24**	*9MVX100	0.94	0.98	EN(A,D)4X48*24**	0.94	0.99	*9MVX100	0.94
EA*4X48*24A*	*8MX*1102120**	EN(A,D)4X48*24**	0.92	EN(A,D)4X48*24**	*9MVX100	0.92	0.98	EN(A,D)4X48*24**	0.92	0.99	*9MVX100	0.92
EA*4X48*24A*	*8MX*1352420**	EN(A,D)4X48*24**	0.94	EN(A,D)4X48*24**	*9MX*1002116A**	0.94	0.98	EN(A,D)4X48*24**	0.94	0.98	*9MX*1002116A**	0.94
EA*4X48*24A*	*9MA*0602120A**	EN(A,D)4X48*24**	0.93	EN(A,D)4X48*24**	OLV112A16A	0.93	0.97	EN(A,D)4X48*24**	0.93	0.98	OLV112A16A	0.93
EA*4X48*24A*	*9MA*0802120A**	EN(A,D)4X48*24**	0.93	EN(A,D)4X48*24**	OLV154F20A	0.93	0.97	EN(A,D)4X48*24**	0.93	1.00	OLV154F20A	0.93
EA*4X48*24A*	*9MA*1002122A**	EN(A,D)4X48*24**	0.94	EN(A,D)4X48*24**	-	0.94	0.98	EN(A,D)4X48*24**	0.94	0.99	-	0.94
EA*4X48*24A*	*9MA*1202422A**	EN(A,D)4X61*24**	0.93	EN(A,D)4X61*24**	*8MV*1102120**	0.93	0.97	EN(A,D)4X61*24**	0.93	1.01	*8MV*1102120**	0.93
EA*4X48*24A*	*9MV*0802120A**	EN(A,D)4X61*24**	0.94	EN(A,D)4X61*24**	*8MV*1352422**	0.94	0.98	EN(A,D)4X61*24**	0.94	1.01	*8MV*1352422**	0.94
EA*4X48*24A*	*9MV*1002120A**	EN(A,D)4X61*24**	0.94	EN(A,D)4X61*24**	*8MX*0902116**	0.94	0.98	EN(A,D)4X61*24**	0.94	1.01	*8MX*0902116**	0.94
EA*4X48*24A*	*9MV*1202422A**	EN(A,D)4X61*24**	0.94	EN(A,D)4X61*24**	*8MX*1102120**	0.94	0.98	EN(A,D)4X61*24**	0.94	1.01	*8MX*1102120**	0.94
EA*4X48*24A*	*9MX*0802120A**	EN(A,D)4X61*24**	0.94	EN(A,D)4X61*24**	*8MX*1352420**	0.94	0.98	EN(A,D)4X61*24**	0.94	1.01	*8MX*1352420**	0.94
EA*4X48*24A*	*9MX*1002120A**	EN(A,D)4X61*24**	0.94	EN(A,D)4X61*24**	*9MA*0602120A**	0.94	0.98	EN(A,D)4X61*24**	0.94	1.01	*9MA*0602120A**	0.94
EA*4X48*24A*	*9MX*1202422A**	EN(A,D)4X61*24**	0.94	EN(A,D)4X61*24**	*9MA*0802120A**	0.94	0.98	EN(A,D)4X61*24**	0.94	1.00	*9MA*0802120A**	0.94
EA*4X48*24A*	*9MA*1002120A**	EN(A,D)4X61*24**	0.93	EN(A,D)4X61*24**	*9MA*1002122A**	0.93	0.97	EN(A,D)4X61*24**	0.93	1.01	*9MA*1002122A**	0.93
EA*4X48*24A*	*9MV*1002116A**	EN(A,D)4X61*24**	0.95	EN(A,D)4X61*24**	*9MA*1202422A**	0.95	0.98	EN(A,D)4X61*24**	0.95	1.00	*9MA*1202422A**	0.95
EA*4X48*24A*	*9MX*1002116A**	EN(A,D)4X61*24**	0.95	EN(A,D)4X61*24**	*9MV*0802120A**	0.95	0.98	EN(A,D)4X61*24**	0.95	1.01	*9MV*0802120A**	0.95
EA*4X48*24A*	-	EN(A,D)4X61*24**	0.99	EN(A,D)4X61*24**	*9MV*1002120A**	0.99	0.99	EN(A,D)4X61*24**	0.99	1.01	*9MV*1002120A**	0.99
EA*4X60*21A*	*8MV*0901716**	EN(A,D)4X61*24**	0.93	EN(A,D)4X61*24**	*9MV*1202422A**	0.93	0.99	EN(A,D)4X61*24**	0.93	1.00	*9MV*1202422A**	0.93
EA*4X60*21A*	*8MV*1102120**	EN(A,D)4X61*24**	0.94	EN(A,D)4X61*24**	*9MX*0802120A**	0.94	1.00	EN(A,D)4X61*24**	0.94	1.01	*9MX*0802120A**	0.94
EA*4X60*21A*	*8MX*0902116**	EN(A,D)4X61*24**	0.94	EN(A,D)4X61*24**	*9MX*1002116A**	0.94	1.00	EN(A,D)4X61*24**	0.94	1.01	*9MX*1002116A**	0.94
EA*4X60*21A*	*8MX*1102120**	EN(A,D)4X61*24**	0.92	EN(A,D)4X61*24**	*9MX*1202422A**	0.92	1.00	EN(A,D)4X61*24**	0.92	1.01	*9MX*1202422A**	0.92
EA*4X60*21A*	*9MA*0602120A**	EN(A,D)4X61*24**	0.94	EN(A,D)4X61*24**	MV16J22**B*	0.94	0.98	EN(A,D)4X61*24**	0.94	1.01	MV16J22**B*	0.94
EA*4X60*21A*	*9MA*0802120A**	EN(A,D)4X61*24**	0.93	EN(A,D)4X61*24**	MV20L24**B*	0.93	0.99	EN(A,D)4X61*24**	0.93	1.01	MV20L24**B*	0.93
EA*4X60*21A*	*9MA*1002122A**	EN(A,D)4X61*24**	0.94	EN(A,D)4X61*24**	NOMV156E19*	0.94	1.00	EN(A,D)4X61*24**	0.94	1.01	NOMV156E19*	0.94
EA*4X60*21A*	*9MV*0801716A**	EN(A,D)4X61*24**	0.94	EN(A,D)4X61*24**	*8MPV100	0.94	0.98	EN(A,D)4X61*24**	0.94	1.01	*8MPV100	0.94
EA*4X60*21A*	*9MV*0802120A**	EN(A,D)4X61*24**	0.94	EN(A,D)4X61*24**	*8MPV125	0.94	1.00	EN(A,D)4X61*24**	0.94	1.01	*8MPV125	0.94

COOLING Multiplying Factors for other Indoor Combinations

Indoor Model	Furnace Model	CAPACITY (MBh)	Power (AMPS)	Indoor Model	Furnace Model	CAPACITY (MBh)	Power (AMPS)
EA*4X60*21A*	*9MV*1002120A**	1.00	0.94	EN(A,D)4X61*24**	*9MA*1002120A**	1.00	0.92
EA*4X60*21A*	*9MX*0802120A**	1.00	0.94	EN(A,D)4X61*24**	*9MPV100	1.01	0.97
EA*4X60*21A*	*9MX*1002120A**	1.00	0.94	EN(A,D)4X61*24**	*9MPV100	1.01	0.97
EA*4X60*21A*	*9MA*1002120A**	0.99	0.95	EN(A,D)4X61*24**	*9MPV125	1.01	0.93
EA*4X60*21A*	*9MV*1002116A**	1.00	0.96	EN(A,D)4X61*24**	*9MPV125	1.01	0.93
EA*4X60*21A*	*9MX*1002116A**	0.99	0.95	EN(A,D)4X61*24**	*9MV*1002116A**	1.00	0.92
EA*4X60*21A*	-	1.00	0.98	EN(A,D)4X61*24**	*9MVX080	1.01	0.97
EA*4X60*24A*	*8MV*1102120**	1.00	0.94	EN(A,D)4X61*24**	*9MVX080	1.01	0.97
EA*4X60*24A*	*8MV*1352422**	1.00	0.94	EN(A,D)4X61*24**	*9MVX100	1.01	0.93
EA*4X60*24A*	*8MX*0902116**	1.00	0.94	EN(A,D)4X61*24**	*9MVX100	1.01	0.93
EA*4X60*24A*	*8MX*1102120**	1.00	0.92	EN(A,D)4X61*24**	*9MX*1002116A**	1.00	0.96
EA*4X60*24A*	*8MX*1352420**	1.00	0.94	EN(A,D)4X61*24**	OLV112A16A	1.01	0.97
EA*4X60*24A*	*9MA*0602120A**	0.98	0.94	EN(A,D)4X61*24**	OLV154F20A	1.01	0.97
EA*4X60*24A*	*9MA*0802120A**	0.99	0.93	EN(A,D)4X61*24**	-	1.01	0.97
EA*4X60*24A*	*9MA*1002122A**	1.00	0.94	EN(A,D,W)4X48*21**	*8MV*0901716**	0.99	0.95
EA*4X60*24A*	*9MA*1202422A**	0.99	0.91	EN(A,D,W)4X48*21**	*8MV*1102120**	0.99	0.95
EA*4X60*24A*	*9MV*0802120A**	1.00	0.94	EN(A,D,W)4X48*21**	*8MX*0701716**	0.99	0.99
EA*4X60*24A*	*9MV*1002120A**	1.00	0.94	EN(A,D,W)4X48*21**	*8MX*0902116**	0.99	0.95
EA*4X60*24A*	*9MV*1202422A**	1.00	0.92	EN(A,D,W)4X48*21**	*8MX*1102120**	0.99	0.95
EA*4X60*24A*	*9MX*0802120A**	1.00	0.94	EN(A,D,W)4X48*21**	*9MA*0602120A**	0.97	0.93
EA*4X60*24A*	*9MX*1002120A**	1.00	0.94	EN(A,D,W)4X48*21**	*9MA*0802120A**	0.97	0.93
EA*4X60*24A*	*9MV*1002116A**	1.00	0.96	EN(A,D,W)4X48*21**	*9MV*0801716A**	0.98	0.92
EA*4X60*24A*	*9MX*1002116A**	0.99	0.95	EN(A,D,W)4X48*21**	*9MV*0802120A**	0.98	0.94
ED*4X48F**	*9MA*0602120A**	0.97	0.93	EN(A,D,W)4X48*21**	*9MX*0802120A**	0.99	0.95
ED*4X48F**	*9MA*0802120A**	0.98	0.94	EN(A,D,W)4X48*21**	*9MX*1002120A**	0.98	0.94
ED*4X48F**	*9MA*1002122A**	0.99	0.95	EN(A,D,W)4X48*21**	NOMV156E19*	0.99	0.95
ED*4X48F**	*9MV*0802120A**	0.98	0.94	EN(A,D,W)4X48*21**	*9MA*1002120A**	0.98	0.94
ED*4X48F**	*9MV*1002120A**	0.98	0.94	EN(A,D,W)4X48*21**	*9MPV100	0.99	0.99
ED*4X48F**	*9MX*0802120A**	0.99	0.95	EN(A,D,W)4X48*21**	*9MV*1002116A**	0.98	0.95
ED*4X48F**	*9MX*1002120A**	0.98	0.94	EN(A,D,W)4X48*21**	*9MVX080	0.99	0.99
ED*4X48F**	*9MA*1002120A**	0.98	0.94	EN(A,D,W)4X48*21**	*9MX*1002116A**	0.98	0.94
ED*4X48F**	*9MV*1002116A**	0.98	0.95	EN(A,D,W)4X48*21**	OLV112A16A	0.98	0.98

COOLING Multiplying Factors for other Indoor Combinations

Indoor Model	Furnace Model	Capacity (MBh)	Power (AMPS)	Indoor Model	Furnace Model	Capacity (MBh)	Power (AMPS)
ED*4X48F**	*9MX*1002116A**	0.98	0.95	EN(A,D,W)4X48*21**	-	0.99	0.99
ED*4X48F**	OLV112A16A	0.98	0.98	EN(A,D,W)4X60*24**	*8MV*1102120**	1.00	0.92
ED*4X48F**	-	0.99	0.99	EN(A,D,W)4X60*24**	*8MV*1352422**	1.00	0.92
ED*4X48J**	*9MA*0602120A**	0.97	0.95	EN(A,D,W)4X60*24**	*8MX*0902116**	1.00	0.92
ED*4X48J**	*9MA*0802120A**	0.97	0.93	EN(A,D,W)4X60*24**	*8MX*1102120**	1.00	0.92
ED*4X48J**	*9MA*1002122A**	0.98	0.94	EN(A,D,W)4X60*24**	*8MX*1352420**	1.00	0.92
ED*4X48J**	*9MA*1202422A**	0.97	0.93	EN(A,D,W)4X60*24**	*9MA*0602120A**	0.98	0.94
ED*4X48J**	*9MV*0802120A**	0.98	0.94	EN(A,D,W)4X60*24**	*9MA*0802120A**	0.99	0.93
ED*4X48J**	*9MV*1002120A**	0.98	0.94	EN(A,D,W)4X60*24**	*9MA*1002122A**	1.00	0.94
ED*4X48J**	*9MV*1202422A**	0.98	0.94	EN(A,D,W)4X60*24**	*9MA*1202422A**	0.99	0.91
ED*4X48J**	*9MX*0802120A**	0.98	0.94	EN(A,D,W)4X60*24**	*9MV*0802120A**	1.00	0.94
ED*4X48J**	*9MX*1002120A**	0.98	0.94	EN(A,D,W)4X60*24**	*9MV*1002120A**	1.00	0.94
ED*4X48J**	*9MX*1202422A**	0.98	0.94	EN(A,D,W)4X60*24**	*9MV*1202422A**	1.00	0.92
ED*4X48J**	MV16J22**B*	0.99	0.91	EN(A,D,W)4X60*24**	*9MX*0802120A**	1.00	0.94
ED*4X48J**	*8MPV100	0.99	0.95	EN(A,D,W)4X60*24**	*9MX*1002120A**	1.00	0.94
ED*4X48J**	*8MPV125	0.99	0.95	EN(A,D,W)4X60*24**	*9MX*1202422A**	1.00	0.92
ED*4X48J**	*9MA*1002120A**	0.97	0.94	EN(A,D,W)4X60*24**	MV16J22**B*	1.00	0.92
ED*4X48J**	*9MPV100	0.99	0.99	EN(A,D,W)4X60*24**	MV20L24**B*	1.00	0.92
ED*4X48J**	*9MV*1002116A**	0.98	0.95	EN(A,D,W)4X60*24**	NOMV156E19*	1.00	0.96
ED*4X48J**	*9MVX080	0.99	0.99	EN(A,D,W)4X60*24**	*8MPV100	1.00	0.96
ED*4X48J**	*9MX*1002116A**	0.97	0.94	EN(A,D,W)4X60*24**	*8MPV125	1.00	0.92
ED*4X48J**	OLV112A16A	0.98	0.98	EN(A,D,W)4X60*24**	*9MA*1002120A**	0.99	0.95
ED*4X48J**	-	0.99	0.99	EN(A,D,W)4X60*24**	*9MPV100	1.00	0.96
ED*4X48L**	*8MV*1352422**	0.99	0.95	EN(A,D,W)4X60*24**	*9MPV100	1.00	0.96
ED*4X48L**	*8MX*1352420**	0.99	0.95	EN(A,D,W)4X60*24**	*9MPV125	1.00	0.96
ED*4X48L**	*9MA*0602120A**	0.97	0.93	EN(A,D,W)4X60*24**	*9MPV125	1.00	0.96
ED*4X48L**	*9MA*0802120A**	0.97	0.93	EN(A,D,W)4X60*24**	*9MV*1002116A**	1.00	0.96
ED*4X48L**	*9MA*1002122A**	0.98	0.94	EN(A,D,W)4X60*24**	*9MVX080	1.01	0.97
ED*4X48L**	*9MA*1202422A**	0.97	0.93	EN(A,D,W)4X60*24**	*9MVX080	1.01	0.97
ED*4X48L**	*9MV*0802120A**	0.98	0.94	EN(A,D,W)4X60*24**	*9MVX100	1.00	0.96
ED*4X48L**	*9MV*1002120A**	0.98	0.94	EN(A,D,W)4X60*24**	*9MVX100	1.00	0.96
ED*4X48L**	*9MV*1202422A**	0.98	0.94	EN(A,D,W)4X60*24**	*9MX*1002116A**	1.00	0.96
ED*4X48L**	*9MX*0802120A**	0.98	0.94	EN(A,D,W)4X60*24**	OLV112A16A	1.00	1.00
ED*4X48L**	*9MX*1002120A**	0.98	0.94	EN(A,D,W)4X60*24**	OLV154F20A	1.01	0.97
ED*4X48L**	*9MX*1202422A**	0.98	0.94	EN(A,D,W)4X60*24**	-	1.00	1.00

COOLING Multiplying Factors for other Indoor Combinations

Indoor Model	Furnace Model	CAPACITY (MBh)	Power (AMPS)	Indoor Model	Furnace Model	CAPACITY (MBh)	Power (AMPS)
ED*4X48L**	MV20L24**B*	0.99	0.91	ENH4X48*21**	*8MV*0901716**	0.99	0.95
ED*4X48L**	*9MA*1002120A**	0.97	0.93	ENH4X48*21**	*8MV*1102120**	0.99	0.95
ED*4X48L**	*9MPV125	0.99	0.95	ENH4X48*21**	*8MV*1352422**	0.99	0.95
ED*4X48L**	*9MV*1002116A**	0.98	0.95	ENH4X48*21**	*8MX*0701716**	0.99	0.99
ED*4X48L**	*9MVX100	0.99	0.95	ENH4X48*21**	*8MX*0902116**	0.99	0.95
ED*4X48L**	*9MX*1002116A**	0.98	0.95	ENH4X48*21**	*8MX*1102120**	0.99	0.95
ED*4X48L**	OLV112A16A	0.98	0.98	ENH4X48*21**	*8MX*1352420**	0.99	0.95
ED*4X48L**	OLV154F20A	1.00	1.00	ENH4X48*21**	*9MA*0602120A**	0.97	0.93
ED*4X48L**	-	0.99	0.99	ENH4X48*21**	*9MA*0802120A**	0.97	0.93
ED*4X60J**	*9MA*0602120A**	0.98	0.94	ENH4X48*21**	*9MA*1002122A**	0.98	0.92
ED*4X60J**	*9MA*0802120A**	0.99	0.93	ENH4X48*21**	*9MA*1202422A**	0.98	0.94
ED*4X60J**	*9MA*1002122A**	1.00	0.94	ENH4X48*21**	*9MV*0801716A**	0.98	0.95
ED*4X60J**	*9MA*1202422A**	0.99	0.91	ENH4X48*21**	*9MV*0802120A**	0.98	0.94
ED*4X60J**	*9MV*0802120A**	1.00	0.94	ENH4X48*21**	*9MV*1002120A**	0.98	0.94
ED*4X60J**	*9MV*1002120A**	1.00	0.94	ENH4X48*21**	*9MV*1202422A**	0.98	0.94
ED*4X60J**	*9MV*1202422A**	1.00	0.92	ENH4X48*21**	*9MX*0801716A**	0.98	0.95
ED*4X60J**	*9MX*0802120A**	1.00	0.94	ENH4X48*21**	*9MX*0802120A**	0.99	0.95
ED*4X60J**	*9MX*1002120A**	1.00	0.94	ENH4X48*21**	*9MX*1002120A**	0.98	0.94
ED*4X60J**	*9MX*1202422A**	1.00	0.92	ENH4X48*21**	*9MX*1202422A**	0.99	0.95
ED*4X60J**	MV16J22**B*	1.00	0.92	ENH4X48*21**	MV16J22**B*	0.99	0.91
ED*4X60J**	*8MPV100	1.00	0.96	ENH4X48*21**	MV20L24**B*	0.99	0.91
ED*4X60J**	*8MPV125	1.00	0.96	ENH4X48*21**	NOMV156E19*	0.99	0.95
ED*4X60J**	*9MA*1002120A**	0.99	0.95	ENH4X48*21**	*8MPV100	0.99	0.95
ED*4X60J**	*9MPV100	1.00	0.96	ENH4X48*21**	*8MPV125	0.99	0.95
ED*4X60J**	*9MV*1002116A**	1.00	0.96	ENH4X48*21**	*9MA*1002120A**	0.98	0.94
ED*4X60J**	*9MVX080	1.00	0.96	ENH4X48*21**	*9MPV100	0.99	0.99
ED*4X60J**	*9MX*1002116A**	0.99	0.95	ENH4X48*21**	*9MPV100	0.99	0.99
ED*4X60J**	OLV112A16A	1.00	1.00	ENH4X48*21**	*9MPV125	0.99	0.95
ED*4X60J**	-	1.00	1.00	ENH4X48*21**	*9MPV125	0.99	0.95
ED*4X60L**	*8MV*1352422**	1.00	0.92	ENH4X48*21**	*9MV*1002116A**	0.98	0.95
ED*4X60L**	*8MX*1352420**	1.00	0.92	ENH4X48*21**	*9MVX080	0.99	0.95
ED*4X60L**	*9MA*0602120A**	0.98	0.94	ENH4X48*21**	*9MVX080	0.99	0.95
ED*4X60L**	*9MA*0802120A**	0.99	0.93	ENH4X48*21**	*9MVX100	0.99	0.95
ED*4X60L**	*9MA*1002122A**	1.00	0.94	ENH4X48*21**	*9MVX100	0.99	0.95
ED*4X60L**	*9MA*1202422A**	0.99	0.91	ENH4X48*21**	*9MX*1002116A**	0.98	0.94

COOLING Multiplying Factors for other Indoor Combinations

Indoor Model	Furnace Model	CAPACITY (MBh)	Power (AMPS)	Indoor Model	Furnace Model	CAPACITY (MBh)	Power (AMPS)
ED*4X60L**	*9MV*0802120A**	1.00	0.94	ENH4X48*21**	OLV112A16A	0.98	0.98
ED*4X60L**	*9MV*1002120A**	1.00	0.94	ENH4X48*21**	OLV154F20A	1.00	1.00
ED*4X60L**	*9MV*1202422A**	1.00	0.92	ENH4X48*21**	-	0.99	0.99
ED*4X60L**	*9MX*0802120A**	1.00	0.94	ENH4X60*24**	*8MV*0901716**	1.00	0.96
ED*4X60L**	*9MX*1002120A**	1.00	0.94	ENH4X60*24**	*8MV*1102120**	1.00	0.96
ED*4X60L**	*9MX*1202422A**	1.00	0.92	ENH4X60*24**	*8MV*1352422**	1.00	0.96
ED*4X60L**	MV20L24**B*	1.00	0.92	ENH4X60*24**	*8MX*0701716**	1.00	1.00
ED*4X60L**	*9MA*1002120A**	0.99	0.95	ENH4X60*24**	*8MX*0902116**	1.00	0.92
ED*4X60L**	*9MPV125	1.00	0.96	ENH4X60*24**	*8MX*1102120**	1.00	0.92
ED*4X60L**	*9MV*1002116A**	1.00	0.96	ENH4X60*24**	*8MX*1352420**	1.00	0.92
ED*4X60L**	*9MVX100	1.00	0.96	ENH4X60*24**	*9MA*0602120A**	0.98	0.94
ED*4X60L**	*9MX*1002116A**	0.99	0.95	ENH4X60*24**	*9MA*0802120A**	0.99	0.93
ED*4X60L**	OLV112A16A	1.00	1.00	ENH4X60*24**	*9MA*1002122A**	1.00	0.94
ED*4X60L**	OLV154F20A	1.01	0.97	ENH4X60*24**	*9MA*1202422A**	0.99	0.91
EHD4X48A**	*8MV*0901716**	1.00	1.00	ENH4X60*24**	*9MV*0801716A**	0.99	0.95
EHD4X48A**	*8MV*1102120**	1.00	0.96	ENH4X60*24**	*9MV*0802120A**	1.00	0.94
EHD4X48A**	*8MV*1352422**	1.00	0.96	ENH4X60*24**	*9MV*1002120A**	1.00	0.94
EHD4X48A**	*8MX*0701716**	0.99	0.99	ENH4X60*24**	*9MV*1202422A**	1.00	0.92
EHD4X48A**	*8MX*0902116**	1.00	0.96	ENH4X60*24**	*9MX*0801716A**	0.99	0.95
EHD4X48A**	*8MX*1102120**	1.00	0.96	ENH4X60*24**	*9MX*0802120A**	1.00	0.94
EHD4X48A**	*8MX*1352420**	1.00	0.96	ENH4X60*24**	*9MX*1002120A**	1.00	0.94
EHD4X48A**	*9MA*0602120A**	0.98	0.94	ENH4X60*24**	*9MX*1202422A**	1.00	0.92
EHD4X48A**	*9MA*0802120A**	0.98	0.94	ENH4X60*24**	MV16J22**B*	1.00	0.92
EHD4X48A**	*9MA*1002122A**	0.99	0.93	ENH4X60*24**	MV20L24**B*	1.00	0.92
EHD4X48A**	*9MA*1202422A**	0.98	0.94	ENH4X60*24**	NOMV156E19*	1.00	0.96
EHD4X48A**	*9MV*0801716A**	0.98	0.94	ENH4X60*24**	*8MPV100	1.00	0.96
EHD4X48A**	*9MV*0802120A**	0.99	0.95	ENH4X60*24**	*8MPV125	1.00	0.92
EHD4X48A**	*9MV*1002120A**	0.99	0.93	ENH4X60*24**	*9MA*1002120A**	0.99	0.95
EHD4X48A**	*9MV*1202422A**	0.99	0.95	ENH4X60*24**	*9MPV100	1.00	0.96
EHD4X48A**	*9MX*0802120A**	0.99	0.95	ENH4X60*24**	*9MPV100	1.00	0.96
EHD4X48A**	*9MX*1002120A**	0.99	0.95	ENH4X60*24**	*9MPV125	1.00	0.96
EHD4X48A**	*9MX*1202422A**	0.99	0.95	ENH4X60*24**	*9MPV125	1.00	0.96
EHD4X48A**	MV16J22**B*	1.00	0.92	ENH4X60*24**	*9MV*1002116A**	1.00	0.96
EHD4X48A**	MV20L24**B*	1.00	0.92	ENH4X60*24**	*9MVX080	1.00	0.96
EHD4X48A**	NOMV156E19*	1.00	0.96	ENH4X60*24**	*9MVX080	1.00	0.96

COOLING Multiplying Factors for other Indoor Combinations

Indoor Model	Furnace Model	CAPACITY (MBh)	Power (AMPS)	Indoor Model	Furnace Model	CAPACITY (MBh)	Power (AMPS)
EHD4X48A**	*8MPV100	1.00	0.96	ENH4X60*24**	*9MVX100	1.00	0.96
EHD4X48A**	*8MPV125	1.00	0.96	ENH4X60*24**	*9MVX100	1.00	0.96
EHD4X48A**	*9MA*1002120A**	0.98	0.94	ENH4X60*24**	*9MX*1002116A**	1.00	0.96
EHD4X48A**	*9MPV100	1.00	0.96	ENH4X60*24**	OLV112A16A	1.00	1.00
EHD4X48A**	*9MPV125	1.00	0.96	ENH4X60*24**	OLV154F20A	1.01	0.97
EHD4X48A**	*9MV*1002116A**	0.99	0.96	ENH4X60*24**	-	1.00	1.00
EHD4X48A**	*9MVX080	1.00	0.96	ENH4X61*24**	*8MV*0901716**	1.01	0.97
EHD4X48A**	*9MVX100	1.00	0.96	ENH4X61*24**	*8MV*1102120**	1.01	0.97
EHD4X48A**	*9MX*1002116A**	0.99	0.95	ENH4X61*24**	*8MV*1352422**	1.01	0.97
EHD4X48A**	OLV112A16A	0.99	0.99	ENH4X61*24**	*8MX*0701716**	1.01	1.01
EHD4X48A**	OLV154F20A	1.01	1.01	ENH4X61*24**	*8MX*0902116**	1.01	0.93
EHD4X48A**	-	1.00	1.00	ENH4X61*24**	*8MX*1102120**	1.01	0.93
EHD4X60A**	*8MV*0901716**	1.01	0.97	ENH4X61*24**	*8MX*1352420**	1.01	0.93
EHD4X60A**	*8MV*1102120**	1.01	0.93	ENH4X61*24**	*9MA*0602120A**	0.99	0.95
EHD4X60A**	*8MV*1352422**	1.01	0.93	ENH4X61*24**	*9MA*0802120A**	0.99	0.93
EHD4X60A**	*8MX*0701716**	1.01	1.01	ENH4X61*24**	*9MA*1002122A**	1.00	0.94
EHD4X60A**	*8MX*0902116**	1.01	0.93	ENH4X61*24**	*9MA*1202422A**	0.99	0.91
EHD4X60A**	*8MX*1102120**	1.01	0.93	ENH4X61*24**	*9MV*0801716A**	0.99	0.95
EHD4X60A**	*8MX*1352420**	1.01	0.93	ENH4X61*24**	*9MV*0802120A**	1.00	0.94
EHD4X60A**	*9MA*0602120A**	0.99	0.95	ENH4X61*24**	*9MV*1002120A**	1.00	0.94
EHD4X60A**	*9MA*0802120A**	0.99	0.93	ENH4X61*24**	*9MV*1202422A**	1.00	0.92
EHD4X60A**	*9MA*1002122A**	1.00	0.92	ENH4X61*24**	*9MX*0802120A**	1.00	0.94
EHD4X60A**	*9MA*1202422A**	1.00	0.92	ENH4X61*24**	*9MX*1002120A**	1.00	0.94
EHD4X60A**	*9MV*0801716A**	1.00	0.96	ENH4X61*24**	*9MX*1202422A**	1.00	0.92
EHD4X60A**	*9MV*0802120A**	1.00	0.94	ENH4X61*24**	MV16J22**B*	1.01	0.93
EHD4X60A**	*9MV*1002120A**	1.01	0.95	ENH4X61*24**	MV20L24**B*	1.01	0.93
EHD4X60A**	*9MV*1202422A**	1.00	0.92	ENH4X61*24**	NOMV156E19*	1.01	0.97
EHD4X60A**	*9MX*0801716A**	1.00	0.96	ENH4X61*24**	*8MPV100	1.01	0.97
EHD4X60A**	*9MX*0802120A**	1.01	0.95	ENH4X61*24**	*8MPV125	1.01	0.97
EHD4X60A**	*9MX*1002120A**	1.01	0.95	ENH4X61*24**	*9MA*1002120A**	0.99	0.95
EHD4X60A**	*9MX*1202422A**	1.00	0.92	ENH4X61*24**	*9MPV100	1.01	0.97
EHD4X60A**	MV16J22**B*	1.01	0.93	ENH4X61*24**	*9MPV100	1.01	0.97
EHD4X60A**	MV20L24**B*	1.01	0.93	ENH4X61*24**	*9MPV125	1.01	0.97
EHD4X60A**	NOMV156E19*	1.01	0.93	ENH4X61*24**	*9MPV125	1.01	0.97
EHD4X60A**	*8MPV100	1.01	0.93	ENH4X61*24**	*9MV*1002116A**	0.99	0.95

COOLING Multiplying Factors for other Indoor Combinations

Indoor Model	Furnace Model	CAPACITY (MBh)	Power (AMPS)	Indoor Model	Furnace Model	CAPACITY (MBh)	Power (AMPS)
EHD4X60A**	*8MPV125	1.01	0.93	ENH4X61*24**	*9MVX080	1.01	0.97
EHD4X60A**	*9MA*1002120A**	1.00	0.93	ENH4X61*24**	*9MVX080	1.01	0.97
EHD4X60A**	*9MPV100	1.01	0.97	ENH4X61*24**	*9MVX100	1.01	0.97
EHD4X60A**	*9MPV125	1.01	0.97	ENH4X61*24**	*9MVX100	1.01	0.97
EHD4X60A**	*9MV*1002116A**	1.00	0.96	ENH4X61*24**	*9MX*1002116A**	1.00	0.96
EHD4X60A**	*9MVX080	1.01	0.97	ENH4X61*24**	OLV112A16A	1.00	1.00
EHD4X60A**	*9MVX100	1.01	0.97	ENH4X61*24**	OLV154F20A	1.01	0.97
EHD4X60A**	*9MX*1002116A**	1.00	0.96	ENH4X61*24**	-	1.01	1.01
EHD4X60A**	OLV112A16A	1.00	0.96	FEM4P48**A*	-	0.99	0.95
EHD4X60A**	OLV154F20A	1.01	0.97	FEM4P60**A*	-	1.00	0.96
EHD4X60A**	-	1.01	1.01	FEM4X48****	-	1.01	0.97
EMA4X48D**	-	0.97	0.97	FEM4X60****	-	1.02	0.94
EN(A,D)4X48*24**	*8MV*1102120**	0.99	0.95	FEM4X60**B*	-	1.00	0.96
EN(A,D)4X48*24**	*8MV*1352422**	0.99	0.95	FS(M,U)4P48**A*	-	1.01	1.01
EN(A,D)4X48*24**	*8MX*0902116**	0.99	0.95	FS(M,U)4X48****	-	1.00	1.00
EN(A,D)4X48*24**	*8MX*1102120**	0.99	0.91	FS(M,U)4X60**A*	-	1.01	1.01
EN(A,D)4X48*24**	*8MX*1352420**	0.99	0.92	FVM4X48****	-	1.00	0.92
EN(A,D)4X48*24**	*9MA*0602120A**	0.97	0.93	FVM4X60****	-	1.01	0.93
EN(A,D)4X48*24**	*9MA*0802120A**	0.97	0.93	FXM4X48**A*	-	1.01	0.93
-	-	-	-	FXM4X60**A*	-	1.02	0.94

COOLING Multiplying Factors for other Indoor Combinations

Indoor Model	Furnace Model	CAPACITY (MBh)	Power (AMPS)	Indoor Model	Furnace Model	CAPACITY (MBh)	Power (AMPS)
(C,H,T)XA660							
*EN(A,D)4X61*24**	-	1.00	1.00	EN(A,D)4X61*24**	*9MPV125	0.98	0.94
EA*4X60*21A*	*8MV*1102120**	0.96	0.89	EN(A,D)4X61*24**	*9MVX080	0.99	0.99
EA*4X60*21A*	*8MX*1102120**	0.96	0.89	EN(A,D)4X61*24**	*9MVX080	0.99	0.99
EA*4X60*21A*	*9MA*1002122A**	0.96	0.88	EN(A,D)4X61*24**	*9MVX100	0.98	0.94
EA*4X60*21A*	*9MV*1002120A**	0.96	0.89	EN(A,D)4X61*24**	*9MVX100	0.98	0.94
EA*4X60*21A*	*9MX*0802120A**	0.96	0.87	EN(A,D)4X61*24**	OLV154F20A	0.98	0.98
EA*4X60*21A*	-	0.96	0.89	EN(A,D,W)4X60*24**	*8MV*1102120**	0.97	0.93
EA*4X60*24A*	*8MV*1102120**	0.96	0.89	EN(A,D,W)4X60*24**	*8MV*1352422**	0.97	0.93
EA*4X60*24A*	*8MV*1352422**	0.96	0.89	EN(A,D,W)4X60*24**	*8MX*1102120**	0.97	0.93
EA*4X60*24A*	*8MX*1102120**	0.96	0.89	EN(A,D,W)4X60*24**	*8MX*1352420**	0.97	0.93
EA*4X60*24A*	*8MX*1352420**	0.96	0.89	EN(A,D,W)4X60*24**	*9MA*0802120A**	0.96	0.87

COOLING Multiplying Factors for other Indoor Combinations

Indoor Model	Furnace Model	Indoor Model	Power (AMPS)	CAPACITY (MBh)	Indoor Model	Furnace Model	Power (AMPS)	CAPACITY (MBh)
EA*4X60*24A*	*9MA*0802120A**	EN(A,D,W)4X60*24**	0.88	0.96	EN(A,D,W)4X60*24**	*9MA*1002122A**	0.88	0.96
EA*4X60*24A*	*9MA*1002122A**	EN(A,D,W)4X60*24**	0.88	0.96	EN(A,D,W)4X60*24**	*9MA*1202422A**	0.88	0.96
EA*4X60*24A*	*9MA*1202422A**	EN(A,D,W)4X60*24**	0.91	0.96	EN(A,D,W)4X60*24**	*9MV*1002120A**	0.88	0.96
EA*4X60*24A*	*9MV*1002120A**	EN(A,D,W)4X60*24**	0.89	0.96	EN(A,D,W)4X60*24**	*9MV*1202422A**	0.91	0.96
EA*4X60*24A*	*9MV*1202422A**	EN(A,D,W)4X60*24**	0.91	0.96	EN(A,D,W)4X60*24**	*9MX*0802120A**	0.88	0.96
EA*4X60*24A*	*9MX*0802120A**	EN(A,D,W)4X60*24**	0.88	0.96	EN(A,D,W)4X60*24**	*9MX*1002120A**	0.89	0.96
EA*4X60*24A*	*9MX*1002120A**	EN(A,D,W)4X60*24**	0.89	0.96	EN(A,D,W)4X60*24**	*9MX*1202422A**	0.91	0.96
EA*4X60*24A*	*9MX*1202422A**	EN(A,D,W)4X60*24**	0.91	0.96	EN(A,D,W)4X60*24**	MV16J22**B*	0.90	0.97
EA*4X60*24A*	-	EN(A,D,W)4X60*24**	0.93	0.98	EN(A,D,W)4X60*24**	MV20L24**B*	0.90	0.97
ED*4X60J**	*9MA*1002122A**	EN(A,D,W)4X60*24**	0.88	0.96	EN(A,D,W)4X60*24**	NOMV156E19*	0.97	0.97
ED*4X60J**	*9MA*1202422A**	EN(A,D,W)4X60*24**	0.91	0.96	EN(A,D,W)4X60*24**	*8MPV100	0.93	0.97
ED*4X60J**	*9MV*1002120A**	EN(A,D,W)4X60*24**	0.89	0.96	EN(A,D,W)4X60*24**	*8MPV125	0.93	0.97
ED*4X60J**	*9MV*1202422A**	EN(A,D,W)4X60*24**	0.90	0.96	EN(A,D,W)4X60*24**	*9MPV100	0.97	0.97
ED*4X60J**	*9MX*0802120A**	EN(A,D,W)4X60*24**	0.87	0.96	EN(A,D,W)4X60*24**	*9MPV100	0.97	0.97
ED*4X60J**	*9MX*1202422A**	EN(A,D,W)4X60*24**	0.91	0.96	EN(A,D,W)4X60*24**	*9MPV125	0.97	0.97
ED*4X60J**	MV16J22**B*	EN(A,D,W)4X60*24**	0.90	0.97	EN(A,D,W)4X60*24**	*9MPV125	0.97	0.97
ED*4X60J**	*8MPV100	EN(A,D,W)4X60*24**	0.97	0.97	EN(A,D,W)4X60*24**	*9MVX080	0.97	0.97
ED*4X60J**	*8MPV125	EN(A,D,W)4X60*24**	0.97	0.97	EN(A,D,W)4X60*24**	*9MVX080	0.97	0.97
ED*4X60J**	*9MPV100	EN(A,D,W)4X60*24**	0.97	0.97	EN(A,D,W)4X60*24**	*9MVX100	0.97	0.97
ED*4X60J**	*9MVX080	EN(A,D,W)4X60*24**	0.97	0.97	EN(A,D,W)4X60*24**	*9MVX100	0.97	0.97
ED*4X60J**	-	EN(A,D,W)4X60*24**	0.97	0.97	EN(A,D,W)4X60*24**	OLV154F20A	0.97	0.97
ED*4X60L**	*8MV*1352422**	EN(A,D,W)4X60*24**	0.93	0.97	EN(A,D,W)4X60*24**	-	0.97	0.97
ED*4X60L**	*8MX*1352420**	ENH4X60*24**	0.93	0.97	ENH4X60*24**	*8MV*1102120**	0.97	0.93
ED*4X60L**	*9MA*0802120A**	ENH4X60*24**	0.88	0.96	ENH4X60*24**	*8MV*1352422**	0.97	0.93
ED*4X60L**	*9MA*1002122A**	ENH4X60*24**	0.88	0.96	ENH4X60*24**	*8MX*1102120**	0.97	0.93
ED*4X60L**	*9MA*1202422A**	ENH4X60*24**	0.91	0.96	ENH4X60*24**	*8MX*1352420**	0.97	0.93
ED*4X60L**	*9MV*1002120A**	ENH4X60*24**	0.89	0.96	ENH4X60*24**	*9MA*0802120A**	0.87	0.87
ED*4X60L**	*9MV*1202422A**	ENH4X60*24**	0.91	0.96	ENH4X60*24**	*9MA*1002122A**	0.88	0.88
ED*4X60L**	*9MX*0802120A**	ENH4X60*24**	0.88	0.96	ENH4X60*24**	*9MA*1202422A**	0.91	0.91
ED*4X60L**	*9MX*1002120A**	ENH4X60*24**	0.89	0.96	ENH4X60*24**	*9MV*1002120A**	0.88	0.88
ED*4X60L**	*9MX*1202422A**	ENH4X60*24**	0.91	0.96	ENH4X60*24**	*9MV*1202422A**	0.91	0.91
ED*4X60L**	MV20L24**B*	ENH4X60*24**	0.91	0.98	ENH4X60*24**	*9MX*0802120A**	0.88	0.88
ED*4X60L**	*9MPV125	ENH4X60*24**	0.97	0.97	ENH4X60*24**	*9MX*1002120A**	0.89	0.89
ED*4X60L**	*9MVX100	ENH4X60*24**	0.93	0.97	ENH4X60*24**	*9MX*1202422A**	0.91	0.91
ED*4X60L**	OLV154F20A	ENH4X60*24**	0.97	0.97	ENH4X60*24**	MV16J22**B*	0.90	0.90

COOLING Multiplying Factors for other Indoor Combinations

Indoor Model	Furnace Model	CAPACITY (MBh)	Power (AMPS)	Indoor Model	Furnace Model	CAPACITY (MBh)	Power (AMPS)
ED4X60L**	-	0.97	0.97	ENH4X60*24**	MV20L24**B*	0.97	0.90
EHD4X60A**	*8MV*1102120**	0.97	0.93	ENH4X60*24**	NOMV156E19*	0.97	0.97
EHD4X60A**	*8MV*1352422**	0.97	0.90	ENH4X60*24**	*8MPV100	0.97	0.93
EHD4X60A**	*8MX*1102120**	0.97	0.90	ENH4X60*24**	*8MPV125	0.97	0.93
EHD4X60A**	*8MX*1352420**	0.97	0.93	ENH4X60*24**	*9MPV100	0.96	0.96
EHD4X60A**	*9MA*0802120A**	0.96	0.88	ENH4X60*24**	*9MPV100	0.96	0.96
EHD4X60A**	*9MA*1002122A**	0.97	0.90	ENH4X60*24**	*9MPV125	0.96	0.96
EHD4X60A**	*9MA*1202422A**	0.96	0.91	ENH4X60*24**	*9MPV125	0.96	0.96
EHD4X60A**	*9MV*1002120A**	0.97	0.88	ENH4X60*24**	*9MVX080	0.97	0.97
EHD4X60A**	*9MV*1202422A**	0.96	0.91	ENH4X60*24**	*9MVX080	0.97	0.97
EHD4X60A**	*9MX*0802120A**	0.96	0.88	ENH4X60*24**	*9MVX100	0.97	0.93
EHD4X60A**	*9MX*1002120A**	0.97	0.88	ENH4X60*24**	*9MVX100	0.97	0.93
EHD4X60A**	*9MX*1202422A**	0.97	0.92	ENH4X60*24**	OLV154F20A	0.97	0.97
EHD4X60A**	MV16J22**B*	0.97	0.90	ENH4X60*24**	-	0.97	0.97
EHD4X60A**	MV20L24**B*	0.97	0.93	ENH4X61*24**	*8MV*1102120**	0.97	0.93
EHD4X60A**	NOMV156E19*	0.97	0.93	ENH4X61*24**	*8MV*1352422**	0.97	0.93
EHD4X60A**	*8MPV100	0.97	0.93	ENH4X61*24**	*8MX*1102120**	0.97	0.93
EHD4X60A**	*8MPV125	0.97	0.93	ENH4X61*24**	*8MX*1352420**	0.97	0.93
EHD4X60A**	*9MPV100	0.97	0.97	ENH4X61*24**	*9MA*1002122A**	0.97	0.88
EHD4X60A**	*9MPV125	0.97	0.97	ENH4X61*24**	*9MA*1202422A**	0.96	0.91
EHD4X60A**	*9MVX080	0.97	0.97	ENH4X61*24**	*9MV*0802120A**	0.96	0.88
EHD4X60A**	*9MVX100	0.97	0.93	ENH4X61*24**	*9MV*1202422A**	0.96	0.91
EHD4X60A**	OLV154F20A	0.98	0.98	ENH4X61*24**	*9MX*0802120A**	0.96	0.88
EHD4X60A**	-	0.97	0.97	ENH4X61*24**	*9MX*1202422A**	0.96	0.91
EN(A,D)4X61*24**	*8MV*1102120**	0.98	0.94	ENH4X61*24**	MV16J22**B*	0.97	0.90
EN(A,D)4X61*24**	*8MV*1352422**	0.98	0.91	ENH4X61*24**	MV20L24**B*	0.97	0.90
EN(A,D)4X61*24**	*8MX*1102120**	0.98	0.91	ENH4X61*24**	NOMV156E19*	0.97	0.97
EN(A,D)4X61*24**	*8MX*1352420**	0.98	0.91	ENH4X61*24**	*8MPV100	0.97	0.93
EN(A,D)4X61*24**	*9MA*0802120A**	0.97	0.90	ENH4X61*24**	*8MPV125	0.97	0.93
EN(A,D)4X61*24**	*9MA*1002122A**	0.97	0.90	ENH4X61*24**	*9MPV100	0.96	0.96
EN(A,D)4X61*24**	*9MA*1202422A**	0.97	0.92	ENH4X61*24**	*9MPV100	0.96	0.96
EN(A,D)4X61*24**	*9MV*0802120A**	0.97	0.87	ENH4X61*24**	*9MPV125	0.96	0.96
EN(A,D)4X61*24**	*9MV*1002120A**	0.97	0.90	ENH4X61*24**	*9MPV125	0.96	0.96
EN(A,D)4X61*24**	*9MV*1202422A**	0.97	0.90	ENH4X61*24**	*9MVX080	0.97	0.97
EN(A,D)4X61*24**	*9MX*0802120A**	0.97	0.90	ENH4X61*24**	*9MVX080	0.97	0.97

COOLING Multiplying Factors for other Indoor Combinations						
Indoor Model	Furnace Model	CAPACITY (MBh)	Power (AMPS)	Indoor Model	Furnace Model	Power (AMPS)
EN(A,D)4X61*24**	*9MX*1002120A**	0.98	0.89	ENH4X61*24**	*9MVX100	0.97
EN(A,D)4X61*24**	*9MX*1202422A**	0.97	0.92	ENH4X61*24**	*9MVX100	0.97
EN(A,D)4X61*24**	MV16J22**B*	0.98	0.91	ENH4X61*24**	OLV154F20A	0.97
EN(A,D)4X61*24**	MV20L24**B*	0.98	0.91	ENH4X61*24**	-	0.98
EN(A,D)4X61*24**	NOMV156E19*	0.98	0.94	FEM4P60**A*	-	0.97
EN(A,D)4X61*24**	*8MPV100	0.98	0.94	FEM4X60****	-	0.99
EN(A,D)4X61*24**	*8MPV125	0.98	0.94	FEM4X60**B*	-	0.97
EN(A,D)4X61*24**	*9MPV100	0.98	0.94	FS(M,U)4X60**A*	-	0.98
EN(A,D)4X61*24**	*9MPV100	0.98	0.94	FVM4X60****	-	0.98
EN(A,D)4X61*24**	*9MPV125	0.98	0.94	FXM4X60**A*	-	0.99
COOLING Multiplying Factors for other Indoor Combinations						
Indoor Model	Furnace Model	CAPACITY (MBh)	Power (AMPS)	Indoor Model	Furnace Model	Power (AMPS)
(C,H,T)XA661						
*EN(A,D)4X61*24**	-	1.00	1.00	EN(A,D)4X61*24**	*9MPV125	1.03
EA*4X60*24A*	*8MV*1102120**	0.97	0.94	EN(A,D)4X61*24**	*9MVX080	1.03
EA*4X60*24A*	*8MX*1102120**	0.97	0.92	EN(A,D)4X61*24**	*9MVX080	1.03
EA*4X60*24A*	*9MA*1002122A**	0.97	0.94	EN(A,D)4X61*24**	*9MVX100	1.03
EA*4X60*24A*	*9MV*1002120A**	0.97	0.94	EN(A,D)4X61*24**	*9MVX100	1.03
EA*4X60*24A*	*9MX*0802120A**	0.97	0.94	EN(A,D)4X61*24**	OLV154F20A	1.03
EA*4X60*24A*	-	0.98	0.97	EN(A,D,W)4X60*24**	*8MV*1102120**	0.98
EA*4X60*24A*	*8MV*1102120**	0.97	0.94	EN(A,D,W)4X60*24**	*8MV*1352422**	0.98
EA*4X60*24A*	*8MV*1352422**	0.97	0.92	EN(A,D,W)4X60*24**	*8MX*1102120**	0.98
EA*4X60*24A*	*8MX*1102120**	0.97	0.92	EN(A,D,W)4X60*24**	*8MX*1352420**	0.98
EA*4X60*24A*	*8MX*1352420**	0.97	0.92	EN(A,D,W)4X60*24**	*9MA*0802120A**	0.93
EA*4X60*24A*	*9MA*0802120A**	0.97	0.93	EN(A,D,W)4X60*24**	*9MA*1002122A**	0.92
EA*4X60*24A*	*9MA*1002122A**	0.97	0.94	EN(A,D,W)4X60*24**	*9MA*1202422A**	0.97
EA*4X60*24A*	*9MA*1202422A**	0.97	0.97	EN(A,D,W)4X60*24**	*9MV*1002120A**	0.94
EA*4X60*24A*	*9MV*1002120A**	0.97	0.94	EN(A,D,W)4X60*24**	*9MV*1202422A**	0.97
EA*4X60*24A*	*9MV*1202422A**	0.97	0.97	EN(A,D,W)4X60*24**	*9MX*0802120A**	0.94
EA*4X60*24A*	*9MX*0802120A**	0.97	0.94	EN(A,D,W)4X60*24**	*9MX*1002120A**	0.94
EA*4X60*24A*	*9MX*1002120A**	0.98	0.94	EN(A,D,W)4X60*24**	*9MX*1202422A**	0.97
EA*4X60*24A*	*9MX*1202422A**	0.97	0.97	EN(A,D,W)4X60*24**	MV16J22**B*	0.98
EA*4X60*24A*	-	0.99	0.98	EN(A,D,W)4X60*24**	MV20L24**B*	0.98
ED*4X60J**	*9MA*1002122A**	0.97	0.94	EN(A,D,W)4X60*24**	NOMV156E19*	1.02

COOLING Multiplying Factors for other Indoor Combinations

Indoor Model	Furnace Model	CAPACITY (MBh)	Power (AMPS)	Indoor Model	Furnace Model	CAPACITY (MBh)	Power (AMPS)
ED*4X60J**	*9MA*1202422A**	0.97	0.97	EN(A,D,W)4X60*24**	*8MPV100	0.98	1.03
ED*4X60J**	*9MV*1002120A**	0.97	0.94	EN(A,D,W)4X60*24**	*8MPV125	0.98	1.03
ED*4X60J**	*9MV*1202422A**	0.97	0.97	EN(A,D,W)4X60*24**	*9MPV100	0.98	1.03
ED*4X60J**	*9MX*0802120A**	0.97	0.94	EN(A,D,W)4X60*24**	*9MPV100	0.98	1.03
ED*4X60J**	*9MX*1202422A**	0.97	0.97	EN(A,D,W)4X60*24**	*9MPV125	0.98	1.03
ED*4X60J**	MV16J22**B*	0.98	0.98	EN(A,D,W)4X60*24**	*9MPV125	0.98	1.03
ED*4X60J**	*8MPV100	0.98	1.03	EN(A,D,W)4X60*24**	*9MVX080	0.98	1.03
ED*4X60J**	*8MPV125	0.98	1.03	EN(A,D,W)4X60*24**	*9MVX080	0.98	1.03
ED*4X60J**	*9MPV100	0.98	1.03	EN(A,D,W)4X60*24**	*9MVX100	0.98	1.03
ED*4X60J**	*9MVX080	0.98	1.03	EN(A,D,W)4X60*24**	*9MVX100	0.98	1.03
ED*4X60J**	-	0.98	1.03	EN(A,D,W)4X60*24**	OLV154F20A	0.98	1.03
ED*4X60L**	*8MV*1352422**	0.98	0.98	EN(A,D,W)4X60*24**	-	0.99	1.03
ED*4X60L**	*8MX*1352420**	0.98	0.98	ENH4X60*24**	*8MV*1102120**	0.98	0.98
ED*4X60L**	*9MA*0802120A**	0.97	0.93	ENH4X60*24**	*8MV*1352422**	0.98	0.98
ED*4X60L**	*9MA*1002122A**	0.97	0.94	ENH4X60*24**	*8MX*1102120**	0.98	0.98
ED*4X60L**	*9MA*1202422A**	0.97	0.97	ENH4X60*24**	*8MX*1352420**	0.98	0.98
ED*4X60L**	*9MV*1002120A**	0.97	0.94	ENH4X60*24**	*9MA*0802120A**	0.97	0.93
ED*4X60L**	*9MV*1202422A**	0.97	0.97	ENH4X60*24**	*9MA*1002122A**	0.97	0.92
ED*4X60L**	*9MX*0802120A**	0.97	0.94	ENH4X60*24**	*9MA*1202422A**	0.97	0.97
ED*4X60L**	*9MX*1002120A**	0.98	0.94	ENH4X60*24**	*9MV*1002120A**	0.97	0.94
ED*4X60L**	*9MX*1202422A**	0.97	0.97	ENH4X60*24**	*9MV*1202422A**	0.97	0.97
ED*4X60L**	MV20L24**B*	0.98	1.03	ENH4X60*24**	*9MX*0802120A**	0.98	0.94
ED*4X60L**	*9MPV125	0.98	1.03	ENH4X60*24**	*9MX*1002120A**	0.97	0.97
ED*4X60L**	*9MVX100	0.98	1.03	ENH4X60*24**	*9MX*1202422A**	0.97	0.97
ED*4X60L**	OLV154F20A	0.98	1.03	ENH4X60*24**	MV16J22**B*	0.98	0.98
ED*4X60L**	-	0.98	1.03	ENH4X60*24**	MV20L24**B*	0.98	0.88
EHD4X60A**	*8MV*1102120**	0.98	0.98	ENH4X60*24**	NOMV156E19*	0.97	1.02
EHD4X60A**	*8MV*1352422**	0.98	0.98	ENH4X60*24**	*8MPV100	0.98	1.03
EHD4X60A**	*8MX*1102120**	0.98	0.98	ENH4X60*24**	*8MPV125	0.98	1.03
EHD4X60A**	*8MX*1352420**	0.98	0.98	ENH4X60*24**	*9MPV100	0.97	0.97
EHD4X60A**	*9MA*0802120A**	0.97	0.94	ENH4X60*24**	*9MPV100	0.97	0.97
EHD4X60A**	*9MA*1002122A**	0.98	0.93	ENH4X60*24**	*9MPV125	0.97	0.97
EHD4X60A**	*9MA*1202422A**	0.98	0.98	ENH4X60*24**	*9MPV125	0.97	0.97
EHD4X60A**	*9MV*1002120A**	0.98	0.94	ENH4X60*24**	*9MVX080	0.98	1.03
EHD4X60A**	*9MV*1202422A**	0.98	0.94	ENH4X60*24**	*9MVX080	0.98	1.03

COOLING Multiplying Factors for other Indoor Combinations

Indoor Model	Furnace Model	CAPACITY (MBh)	Power (AMPS)	Indoor Model	Furnace Model	CAPACITY (MBh)	Power (AMPS)
EHD4X60A**	*9MX*0802120A**	0.98	0.94	ENH4X60*24**	*9MVX100	0.98	1.03
EHD4X60A**	*9MX*1002120A**	0.98	0.94	ENH4X60*24**	*9MVX100	0.98	1.03
EHD4X60A**	*9MX*1202422A**	0.98	0.98	ENH4X60*24**	OLV154F20A	0.98	1.03
EHD4X60A**	MV16J22**B*	0.98	0.98	ENH4X60*24**	-	0.98	1.03
EHD4X60A**	MV20L24**B*	0.98	0.98	ENH4X61*24**	*8MV*1102120**	0.98	0.98
EHD4X60A**	NOMV156E19*	0.98	1.03	ENH4X61*24**	*8MV*1352422**	0.98	0.98
EHD4X60A**	*8MPV100	0.98	1.03	ENH4X61*24**	*8MX*1102120**	0.98	0.98
EHD4X60A**	*8MPV125	0.98	1.03	ENH4X61*24**	*8MX*1352420**	0.98	0.98
EHD4X60A**	*9MPV100	0.98	1.03	ENH4X61*24**	*9MA*1002122A**	0.98	0.93
EHD4X60A**	*9MPV125	0.98	1.03	ENH4X61*24**	*9MA*1202422A**	0.98	0.98
EHD4X60A**	*9MVX080	0.98	1.03	ENH4X61*24**	*9MV*0802120A**	0.97	0.92
EHD4X60A**	*9MVX100	0.98	1.03	ENH4X61*24**	*9MV*1002120A**	0.98	0.94
EHD4X60A**	OLV154F20A	0.98	1.03	ENH4X61*24**	*9MV*1202422A**	0.97	0.97
EHD4X60A**	-	0.98	1.03	ENH4X61*24**	*9MX*0802120A**	0.97	0.94
EN(A,D)4X61*24**	*8MV*1102120**	0.98	0.98	ENH4X61*24**	*9MX*1202422A**	0.97	0.97
EN(A,D)4X61*24**	*8MV*1352422**	0.98	0.98	ENH4X61*24**	MV16J22**B*	0.98	0.98
EN(A,D)4X61*24**	*8MX*1102120**	0.98	0.98	ENH4X61*24**	MV20L24**B*	0.98	0.98
EN(A,D)4X61*24**	*8MX*1352420**	0.98	0.98	ENH4X61*24**	NOMV156E19*	0.98	1.03
EN(A,D)4X61*24**	*9MA*0802120A**	0.98	0.93	ENH4X61*24**	*8MPV100	0.98	1.03
EN(A,D)4X61*24**	*9MA*1002122A**	0.99	0.94	ENH4X61*24**	*8MPV125	0.98	1.03
EN(A,D)4X61*24**	*9MA*1202422A**	0.99	0.95	ENH4X61*24**	*9MPV100	0.97	0.97
EN(A,D)4X61*24**	*9MV*0802120A**	0.98	0.93	ENH4X61*24**	*9MPV125	0.97	0.97
EN(A,D)4X61*24**	*9MV*1002120A**	0.99	0.94	ENH4X61*24**	*9MPV125	0.97	0.97
EN(A,D)4X61*24**	*9MV*1202422A**	0.99	0.95	ENH4X61*24**	*9MPV125	0.97	0.97
EN(A,D)4X61*24**	*9MX*0802120A**	0.98	0.93	ENH4X61*24**	*9MVX080	0.98	1.03
EN(A,D)4X61*24**	*9MX*1002120A**	0.99	0.95	ENH4X61*24**	*9MVX080	0.98	1.03
EN(A,D)4X61*24**	*9MX*1202422A**	0.99	0.95	ENH4X61*24**	*9MVX100	0.98	1.03
EN(A,D)4X61*24**	MV16J22**B*	0.98	0.98	ENH4X61*24**	*9MVX100	0.98	1.03
EN(A,D)4X61*24**	MV20L24**B*	0.98	0.98	ENH4X61*24**	OLV154F20A	0.98	1.03
EN(A,D)4X61*24**	NOMV156E19*	0.98	1.03	ENH4X61*24**	-	0.98	0.98
EN(A,D)4X61*24**	*8MPV100	0.98	0.98	FEM4P60**A*	-	0.97	0.97
EN(A,D)4X61*24**	*8MPV125	0.98	0.98	FEM4X60****	-	1.01	1.01
EN(A,D)4X61*24**	*9MPV100	0.98	1.03	FEM4X60**B*	-	0.97	0.97
EN(A,D)4X61*24**	*9MPV125	0.98	1.03	FS(M,U)4X60**A*	-	0.99	1.03
EN(A,D)4X61*24**	*9MPV100	0.98	1.03	FVM4X60****	-	0.99	0.95

COOLING Multiplying Factors for other Indoor Combinations						
Indoor Model	Furnace Model	CAPACITY (MBh)	Power (AMPS)	Indoor Model	Furnace Model	Power (AMPS)
-	-	-	-	FXM4X60**A*	-	1.00