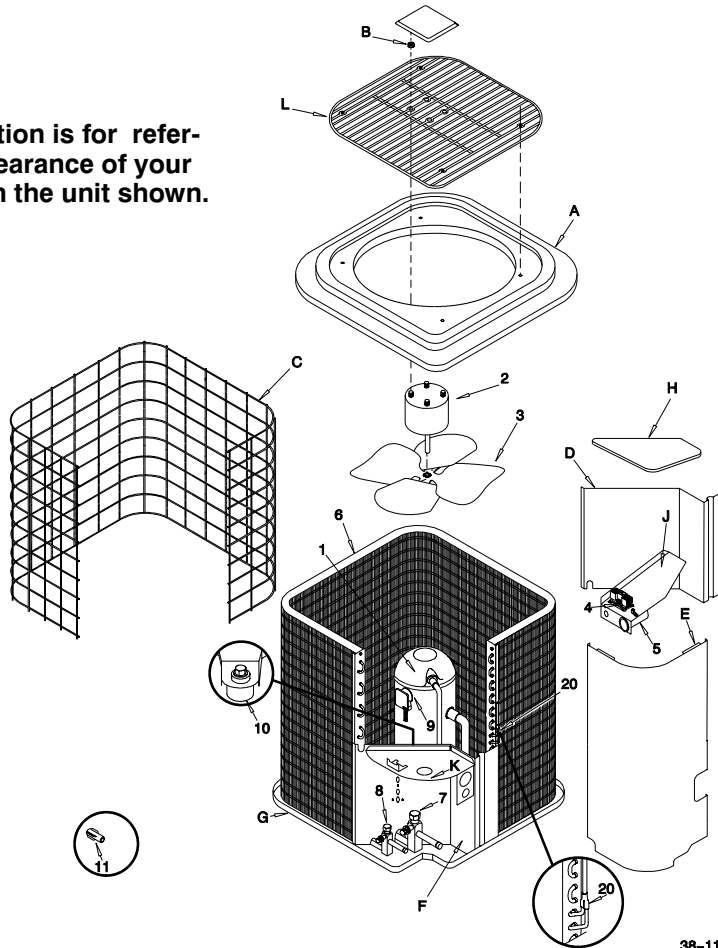


Replacement Parts, W/D & Tech Data HAC218-260 Series

NOTE: This illustration is for reference only. The appearance of your unit may differ from the unit shown.



38-11-19b

KEY NO.	DESCRIPTION	PART NUMBER	HAC218AKA1	HAC224AKA1	HAC230AKA1	HAC236AKA1	HAC242AKA1	HAC248AKA1	HAC260AKA1
A	Panel, Top	1085983	1	1	1				
A		1085997	-	-	-	1	1		
A		1086061	-	-	-	-	-	1	1
B	Nut, Hex	1086356	4	4	4	4	4	4	4
C	Grille, Inlet	1086042	1	1	1				
C		1086245	-	-	-	1			
C		1086246	-	-	-	-	1		
C		1086249	-	-	-	-	-	1	
C		1086250	-	-	-	-	-	-	1
D	Box, Control	1086849	1	1	1	1	1	1	1
E	Cover, Control Box	1086037	1	1	1				
E		1086216	-	-	-	1			
E		1086358	-	-	-	-	1		1
E		1086214	-	-	-	-	-	1	
F	Panel, Corner	1086043	1	1	1				
F		1086346	-	-	-	1			
F		1086348	-	-	-	-	1		1
F		1086347	-	-	-	-	-	1	
G	Panel, Base	1085982	1	1	1				
G		1086041	-	-	-	1	1		
G		1086060	-	-	-	-	-	1	1
H	Top, Control Box	1086045	1	1	1	1	1	1	1
J	Shelf, Control Box	1086363	1	1	1				
J		1086044	-	-	-	1	1	1	1
K	Bottom, Control Box	1086039	1	1	1	1	1	1	1
L	Grille, Top Discharge	1085984	1	1	1				
L		1086050	-	-	-	1	1		
L		1086062	-	-	-	-	-	1	1
()	Manual, Parts List	42113330101	1	1	1	1	1	1	1
()	Manual, Owners	42102300100	1	1	1	1	1	1	1
()	Manual, Installation	42101320100	1	1	1	1	1	1	1

Replacement Parts - HAC218-260 Series

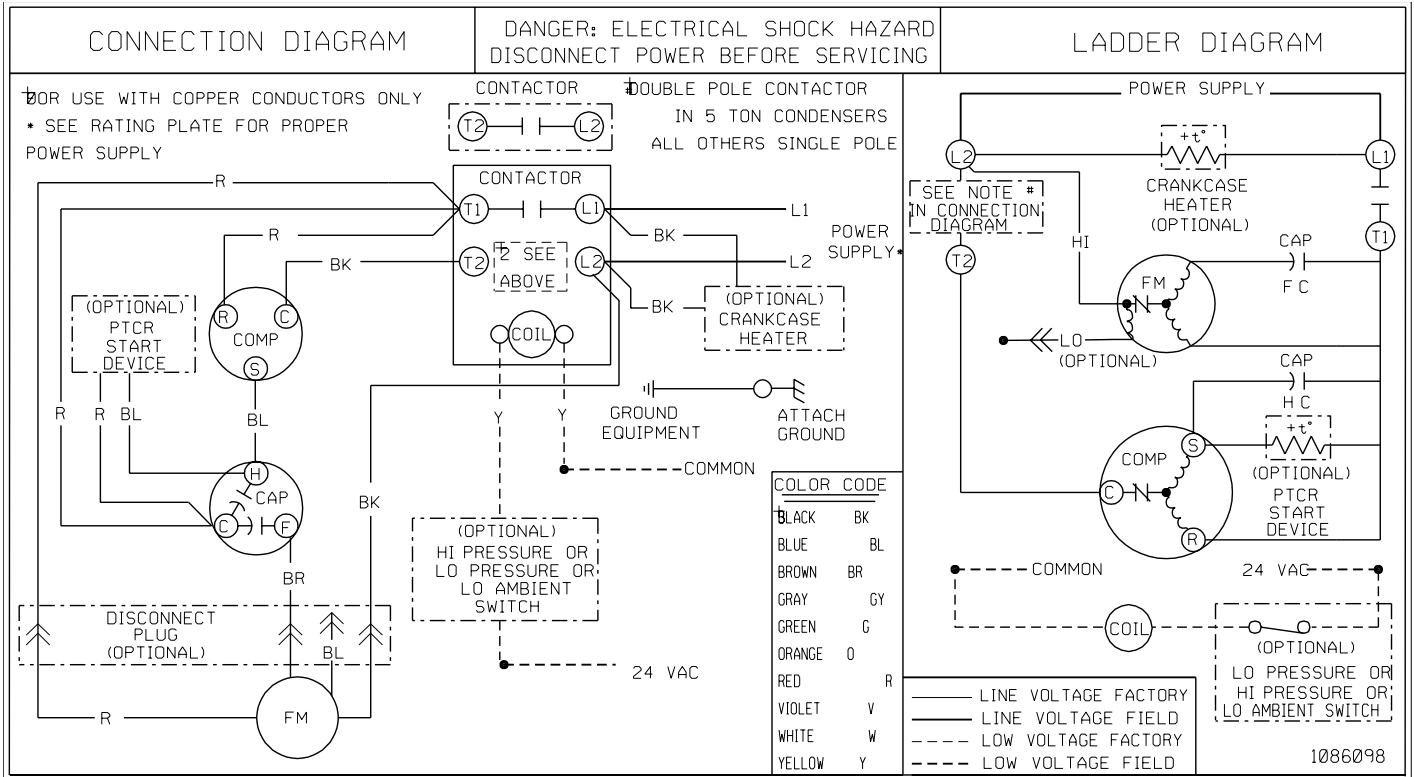
KEY NO.	DESCRIPTION	PART NUMBER	HAC218AKA1	HAC224AKA1	HAC230AKA1	HAC236AKA1	HAC242AKA1	HAC248AKA1	HAC260AKA1
1	Compressor, ZR16K4PFV	1085764	1						
1	ZR22K4PFV	1085765	-	1					
1	ZR28K3PFV	1082756	-	-	1				
1	ZR34K3PFV	1081881	-	-	-	1			
1	ZR40K3PFV	1083000	-	-	-	-	1		
1	ZR47K3PFV	1085274	-	-	-	-	-	1	
1	ZR57K3PFV	1083019	-	-	-	-	-	-	1
2	Motor, Condenser Fan	1086597	1	1					
2		1086598	-	-	1				
2		1085926	-	-	-	1	1		
2		1086397	-	-	-	-	-	1	1
3	Fan Blade	1085684	1	1					
3		1085958	-	-	1				
3		1086446	-	-	-	1	1		
3		1086520	-	-	-	-	-	1	1
4	Contact, 25 Amp	1050699	1	1	1	1	1		
4	35 Amp	1050839	-	-	-	-	-	1	
4	40 Amp	1053980	-	-	-	-	-	-	1
5	Capacitor, 370 Volt. 3+30 Mfd	1086677	1						
5	370 Volt 3+35 Mfd	1086678	-	1					
5	370 Volt 3+45 Mfd	1086681	-	-	1				
5	370 Volt 5+50 Mfd	1086644	-	-	-	1			
5	370 Volt 5+55 Mfd	1086647	-	-	-	-	1		
5	440 Volt 7.5+60 Mfd	1086683	-	-	-	-	-	1	
5	370 Volt 7.5+80 Mfd	1086650	-	-	-	-	-	-	1
6	Condenser Coil	1086134	1						
6		1086178	-	1	1				
6		1086200	-	-	-	1			
6		1086635	-	-	-	-	1		
6		1086665	-	-	-	-	-	1	
6		1086666	-	-	-	-	-	-	1
7	Service Valve (Suction)	1085991	1	1	1	1	1		
7		1086739	-	-	-	-	1		
7		1085988	-	-	-	-	-	1	1
8	Service Valve (Liquid)	1085989	1	1	1	1	1	1	1
9	Plug, Compressor Harness	1081938	1	1					
9		1081939	-	-	1				
9		1081940	-	-	-	1	1	1	1
10	Grommet, Compressor	1052060	4	4	4	4	4	4	4
11	Restrictor, .051	1053110	1						
11	.059	1055236	-	1					
11	.066	1062387	-	-	1				
11	.070	1053644	-	-	-	1			
11	.079	1053661	-	-	-	-	1		
11	.082	1092222	-	-	-	-	-	1	
11	.090	1053663	-	-	-	-	-	-	1
20	Distributor	24305802	-	1	1				
20		24311501	-	-	-	1	1	1	1

Outdoor Units (2)	PISTON CHART																																
	COIL MODELS (1)																																
	EPAD/M18 (51)	EPAD/M24 (57)	EPAD/M30 (65)	EPAD/M36 (73)	EPAD/M42 (78)	EPAD/M48 (79)	EPAD/M60 (92)	EPP024 (57)	EPP030 (65)	EPP036 (73)	EAH5524SA (57)	EAH5536SA (73)	EAH5548SA (79)	EAH5560SA (92)	EEAD/24 (55)	EEAD/30 (63)	EEAD/36 (67)	EEAD/42 (78)	EEAD/48 (79)	EEAD/60 (90)	EMH24 (57)	EMH30 (65)	EMH36 (73)	EMH42 (78)	EMH48 (79)	FCP24 (57)	FCP30 (65)	FCP36 (73)	FCP42 (78)	FCP48 (79)	FCP60 (92)		
HAC218 (51)	51	51	51							51											51	51											
HAC224 (59)		59	59	59																	59	59	59										
HAC230 (66)			65	66	66						66											65	66										
HAC236 (70)				70	70	70					70												70	70	70								
HAC242 (79)					78	79						79													78								
HAC248 (82)						82	82																		82								
HAC260 (90)							90																										

(1) - The number in parentheses with the coil model number is the size of the piston installed in the coil. The installer must change the pin to the size indicated in the chart if it is different from the factory installed pin.

(2) - The number in parentheses following the outdoor unit model number is the size of the piston shipped with the outdoor unit.

Note: If the required orifice is not shipped with the outdoor unit or coil it must be field supplied.



18,000 Btuh Units

Style No:	CAC218 / HAC218	IDB	Outdoor Ambient Temperature - Degrees F. Dry Bulb																			
			75				85				95				105				115			
			59	63	67	71	59	63	67	71	59	63	67	71	59	63	67	71	59	63	67	71
Voltage	208/230		Entering Indoor Temperature - Degrees F. Wet Bulb																			
Phase	1																					
Ampacity	11.9																					
Wire Ga	14																					
Wire Length/Ft	50																					
Delay Fuse	15																					
Max. Fuse	20																					
Compressor	COPELAND																					
RLA	9																					
LRA	41																					
Cap MFDV	30/370																					
CC Heater	NONE																					
Start Kit	NONE																					
Fan Motor-HP	1/8																					
Type	PSC																					
FLA	0.66																					
LRA	1.55																					
RPM	1075																					
Cap MFDV	3/370																					
PTCR	NONE																					
Hi Press	NONE																					
Low Press	NONE																					
Time Delay	NONE																					
Operating Chg (25 Ft Lines)*	(R-22Oz) 71		Calculated averaged performance data, for service applications for all matches. For applications where rated performance data is required refer to the Expanded Ratings or Specification Sheet.																			
Service Driers																						
Liquid/Chg	6 OzIn/5oz																					
Suction	30Sqln																					

Part No:
1086795

*Add or Subtract (Oz per Ft) for Lines: .25oz- 1/4 Liq, .45oz- 5/16 Liq, .60oz- 3/8 Liq, 1.2 oz - 1/2 Liq

24,000 Btuh Units

Style No:	CAC224 / HAC224	Outdoor Ambient Temperature - Degrees F. Dry Bulb																				
		75				85				95				105				115				
		Entering Indoor Temperature - Degrees F. Wet Bulb																				
		IDB	59	63	67	71	59	63	67	71	59	63	67	71	59	63	67	71	59	63	67	71
Voltage	208/230																					
Phase	1																					
Ampacity	14.3																					
Wire Ga	14																					
Wire Length/Ft	35																					
Delay Fuse	20																					
Max. Fuse	25																					
Compressor	COPELAND																					
RLA	10.9																					
LRA	54																					
Cap MFD/V	35 / 370																					
CC Heater	NONE																					
Start Kit	NONE																					
Fan Motor-HP	1/8																					
Type	PSC																					
FLA	0.66																					
LRA	1.55																					
RPM	1075																					
Cap MFD/V	3 / 370																					
PTCR	NONE																					
Hi Press	NONE																					
Low Press	NONE																					
Time Delay	NONE																					
Operating Chg (25 Ft Lines)*	(R-22Oz) 79	Calculated averaged performance data, for service applications for all matches. For applications where rated performance data is required refer to the Expanded Ratings or Specification Sheet.																				
Service Driers		Part No: 1086796																				
Liquid/Chg	8 Culin/7oz																					
Suction	30SqIn																					
		*Add or Subtract (Oz per Ft) for Lines: .25oz - 1/4 Liq, .45oz - 5/16 Liq, .60oz - 3/8 Liq, 1.2 oz - 1/2 Liq																				

30,000 Btuh Units

Style No:	CAC230 / HAC230	Outdoor Ambient Temperature - Degrees F. Dry Bulb																				
		75				85				95				105				115				
		Entering Indoor Temperature - Degrees F. Wet Bulb																				
		IDB	59	63	67	71	59	63	67	71	59	63	67	71	59	63	67	71	59	63	67	71
Voltage	208/230																					
Phase	1																					
Ampacity	18.1																					
Wire Ga	14																					
Wire Length/Ft	25																					
Delay Fuse	25																					
Max. Fuse	30																					
Compressor	COPELAND																					
RLA	13.5																					
LRA	72.5																					
Cap MFD/V	45 / 370																					
CC Heater	NONE																					
Start Kit	NONE																					
Fan Motor-HP	1/5																					
Type	PSC																					
FLA	1.3																					
LRA	2.33																					
RPM	1075																					
Cap MFD/V	3 / 370																					
PTCR	NONE																					
Hi Press	NONE																					
Low Press	NONE																					
Time Delay	NONE																					
Operating Chg (25 Ft Lines)*	(R-22Oz) 80	Calculated averaged performance data, for service applications for all matches. For applications where rated performance data is required refer to the Expanded Ratings or Specification Sheet.																				
Service Driers		Part No: 1086797																				
Liquid/Chg	8 Culin/7oz																					
Suction	30SqIn																					
		*Add or Subtract (Oz per Ft) for Lines: .25oz - 1/4 Liq, .45oz - 5/16 Liq, .60oz - 3/8 Liq, 1.2 oz - 1/2 Liq																				

36,000 Btuh Units

Style No:	CAC236 / HAC236	Outdoor Ambient Temperature - Degrees F. Dry Bulb																											
		75				85				95				105				115											
Voltage	208/230	Phase	1	Ampacity	21.9	Wire Ga	12	Wire Length/Ft	35	Delay Fuse	30	Max. Fuse	35	Entering Indoor Temperature - Degrees F. Wet Bulb															
														IDB															
Compressor	COPELAND																												
RLA	16																												
LRA	88																												
Cap MFD/V	50/370																												
CC Heater	NONE																												
Start Kit	NONE																												
Fan Motor-HP	1/3																												
Type	PSC																												
FLA	1.9																												
LRA	3.7																												
RPM	1075																												
Cap MFD/V	5/370																												
PTCR	NONE																												
Hi Press	NONE																												
Low Press	NONE																												
Time Delay	NONE																												
Operating Chg (25 Ft. Lines)*		(R-22Oz)		113		Calculated averaged performance data, for service applications for all matches. For applications where rated performance data is required refer to the Expanded Ratings or Specification Sheet.																							
Service Driers																						Part No:							
Liquid/Chg		16 Cuh/11oz																				1086798							
Suction		30Sgln				*Add or Subtract (Oz per Ft) for Lines: .25oz -1/4 Liq, .45oz - 5/16 Liq, .60oz - 3/8 Liq, 1.2 oz - 1/2 Liq																							

42,000 Btuh Units

Style No:	CAC242 / HAC242	Outdoor Ambient Temperature - Degrees F. Dry Bulb																											
		75				85				95				105				115											
Voltage	208/230	Phase	1	Ampacity	24.3	Wire Ga	12	Wire Length/Ft	30	Delay Fuse	30	Max. Fuse	40	Entering Indoor Temperature - Degrees F. Wet Bulb															
														IDB															
Compressor	COPELAND																												
RLA	17.9																												
LRA	104																												
Cap MFD/V	55/370																												
CC Heater	NONE																												
Start Kit	NONE																												
Fan Motor-HP	1/3																												
Type	PSC																												
FLA	1.9																												
LRA	3.7																												
RPM	1075																												
Cap MFD/V	5/370																												
PTCR	NONE																												
Hi Press	NONE																												
Low Press	NONE																												
Time Delay	NONE																												
Operating Chg (25 Ft. Lines)*		(R-22Oz)		125		Calculated averaged performance data, for service applications for all matches. For applications where rated performance data is required refer to the Expanded Ratings or Specification Sheet.																							
Service Driers																						Part No:							
Liquid/Chg		16 Cuh/11oz																				1086799							
Suction		30Sgln				*Add or Subtract (Oz per Ft) for Lines: .25oz -1/4 Liq, .45oz - 5/16 Liq, .60oz - 3/8 Liq, 1.2 oz - 1/2 Liq																							

48,000 Btuh Units

Style No:	CAC248 / HAC248	Outdoor Ambient Temperature - Degrees F. Dry Bulb																			
		75				85				95				105				115			
		Entering Indoor Temperature - Degrees F. Wet Bulb																			
IDB		59	63	67	71	59	63	67	71	59	63	67	71	59	63	67	71	59	63	67	71
Voltage	208/230																				
Phase	1																				
Ampacity	25.5																				
Wire Ga	10																				
Wire Length/Ft	35																				
Delay Fuse	35																				
Max. Fuse	40																				
Compressor	COPELAND																				
RLA	19.2																				
LRA	137																				
Cap MFD/V	60 / 440																				
CC Heater	NONE																				
Start Kit	NONE																				
Fan Motor-HP	1/4																				
Type	PSC																				
FLA	1.5																				
LRA	2.9																				
RPM	840																				
Cap MFD/V	7.5 / 370																				
PTCR	NONE																				
Hi Press	NONE																				
Low Press	NONE																				
Time Delay	NONE																				
Operating Chg (25 Ft Lines)*	(R-22Oz) 148	Calculated averaged performance data, for service applications for all matches. For applications where rated performance data is required refer to the Expanded Ratings or Specification Sheet.																			
Service Driers		Part No: 1086800																			
Liquid/Chg Suction	30 Culin/17oz 30SqIn	*Add or Subtract (Oz per Ft) for Lines: .25oz - 1/4 Liq, .45oz - 5/16 Liq, .60oz - 3/8 Liq, 1.2 oz - 1/2 Liq																			

60,000 Btuh Units

Style No:	CAC260 / HAC260	Outdoor Ambient Temperature - Degrees F. Dry Bulb																			
		75				85				95				105				115			
		Entering Indoor Temperature - Degrees F. Wet Bulb																			
IDB		59	63	67	71	59	63	67	71	59	63	67	71	59	63	67	71	59	63	67	71
Voltage	208/230																				
Phase	1																				
Ampacity	37.6																				
Wire Ga	8																				
Wire Length/Ft	50																				
Delay Fuse	45																				
Max. Fuse	60																				
Compressor	COPELAND																				
RLA	28.8																				
LRA	169																				
Cap MFD/V	80 / 370																				
CC Heater	NONE																				
Start Kit	NONE																				
Fan Motor-HP	1/4																				
Type	PSC																				
FLA	1.5																				
LRA	2.9																				
RPM	840																				
Cap MFD/V	7.5 / 370																				
PTCR	NONE																				
Hi Press	NONE																				
Low Press	NONE																				
Time Delay	NONE																				
Operating Chg (25 Ft Lines)*	(R-22Oz) 182	Calculated averaged performance data, for service applications for all matches. For applications where rated performance data is required refer to the Expanded Ratings or Specification Sheet.																			
Service Driers		Part No: 1086801																			
Liquid/Chg Suction	30 Culin/17oz 30SqIn	*Add or Subtract (Oz per Ft) for Lines: .25oz - 1/4 Liq, .45oz - 5/16 Liq, .60oz - 3/8 Liq, 1.2 oz - 1/2 Liq																			