

WIRING DIAGRAM MANUAL

Horizontal Fan Coil

FMC4Z, FMU4Z, FMC4X, FMU4X

Safety Labeling and Signal Words

DANGER, WARNING, CAUTION, and NOTE

The signal words **DANGER**, **WARNING**, **CAUTION**, and **NOTE** are used to identify levels of hazard seriousness. The signal word **DANGER** is only used on product labels to signify an immediate hazard. The signal words **WARNING**, **CAUTION**, and **NOTE** will be used on product labels and throughout this manual and other manuals that may apply to the product.

DANGER – Immediate hazards which **will** result in severe personal injury or death.

WARNING – Hazards or unsafe practices which **could** result in severe personal injury or death.

CAUTION – Hazards or unsafe practices which **may** result in minor personal injury or product or property damage.

NOTE – Used to highlight suggestions which **will** result in enhanced installation, reliability, or operation.

Signal Words in Manuals

The signal word **WARNING** is used throughout this manual in the following manner:



The signal word **CAUTION** is used throughout this manual in the following manner:



Signal Words on Product Labeling

Signal words are used in combination with colors and/or pictures on product labels.

TABLE OF CONTENTS

FMC4Z, FMU4Z 1–1/2 ton Wiring Diagram, ECM Motor	2
FMC4Z, FMU4Z 2 ton Wiring Diagram, ECM Motor	3
FMC4Z, FMU4Z 2–1/2 ton Wiring Diagram, ECM Motor	4
FMC4Z, FMU4Z 3 ton Wiring Diagram, ECM Motor	5
FMC4X, FMU4X, PSC Motor	6
EHK3 Wiring Diagram	7
Thermostat Wiring Diagrams	8

UNCASED MODELS

FMU4Z1800A1	FMU4X1800A1
FMU4Z2400A1	FMU4X2400A1
FMU4Z3000A1	FMU4X3000A1
FMU4Z3600A1	FMU4X3600A1

CASED MODELS

FMC4Z1800A1	FMC4X1800A1
FMC4Z2400A1	FMC4X2400A1
FMC4Z3000A1	FMC4X3000A1
FMC4Z3600A1	FMC4X3600A1



DEATH, PERSONAL INJURY, AND/OR PROPERTY DAMAGE HAZARD

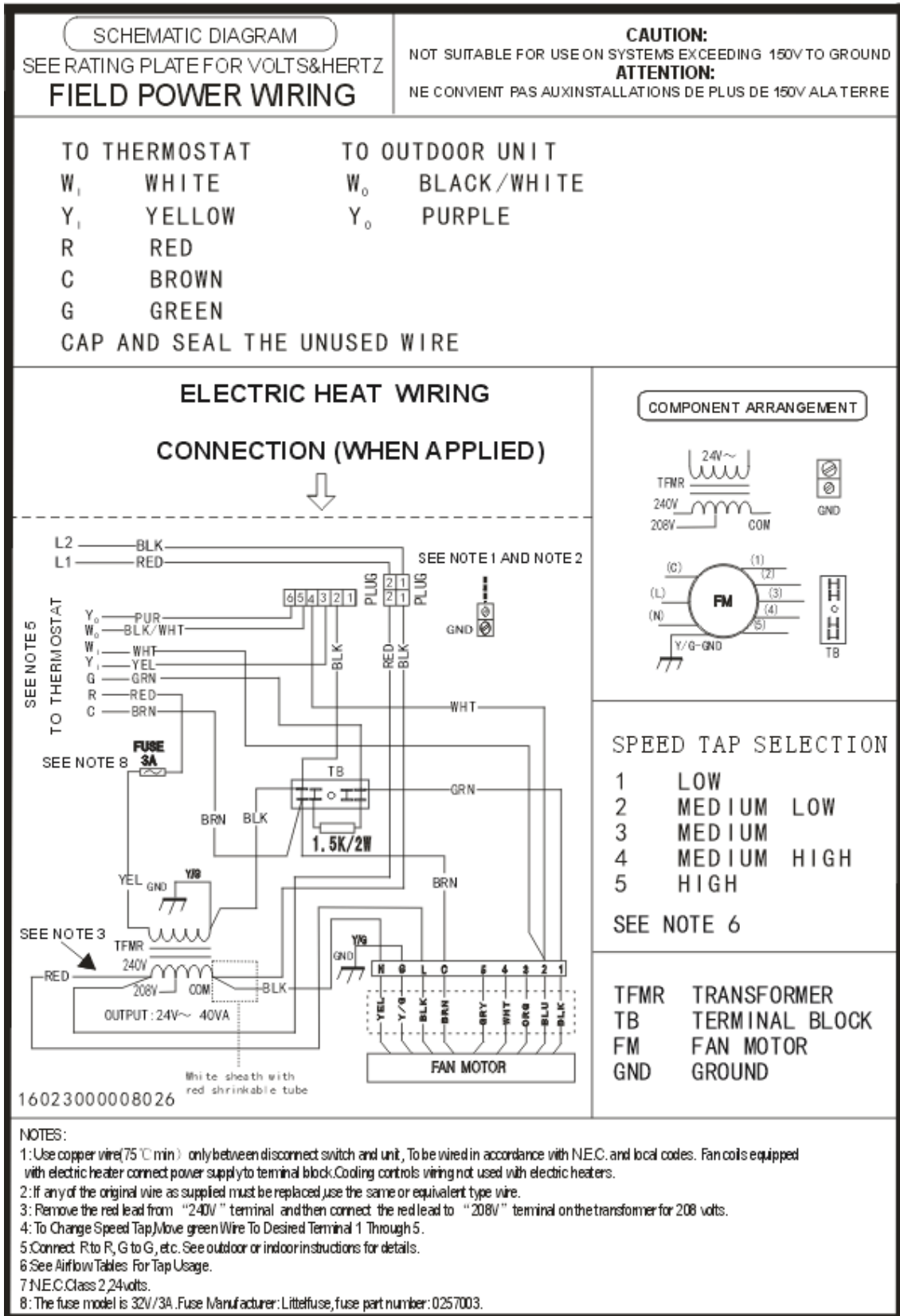
Failure to carefully read and follow this warning could result in equipment malfunction, property damage, personal injury and/or death.

Installation or repairs made by unqualified persons could result in equipment malfunction, property damage, personal injury and/or death.

The information contained in this manual is intended for use by a qualified service technician familiar with safety procedures and equipped with the proper tools and test instruments.

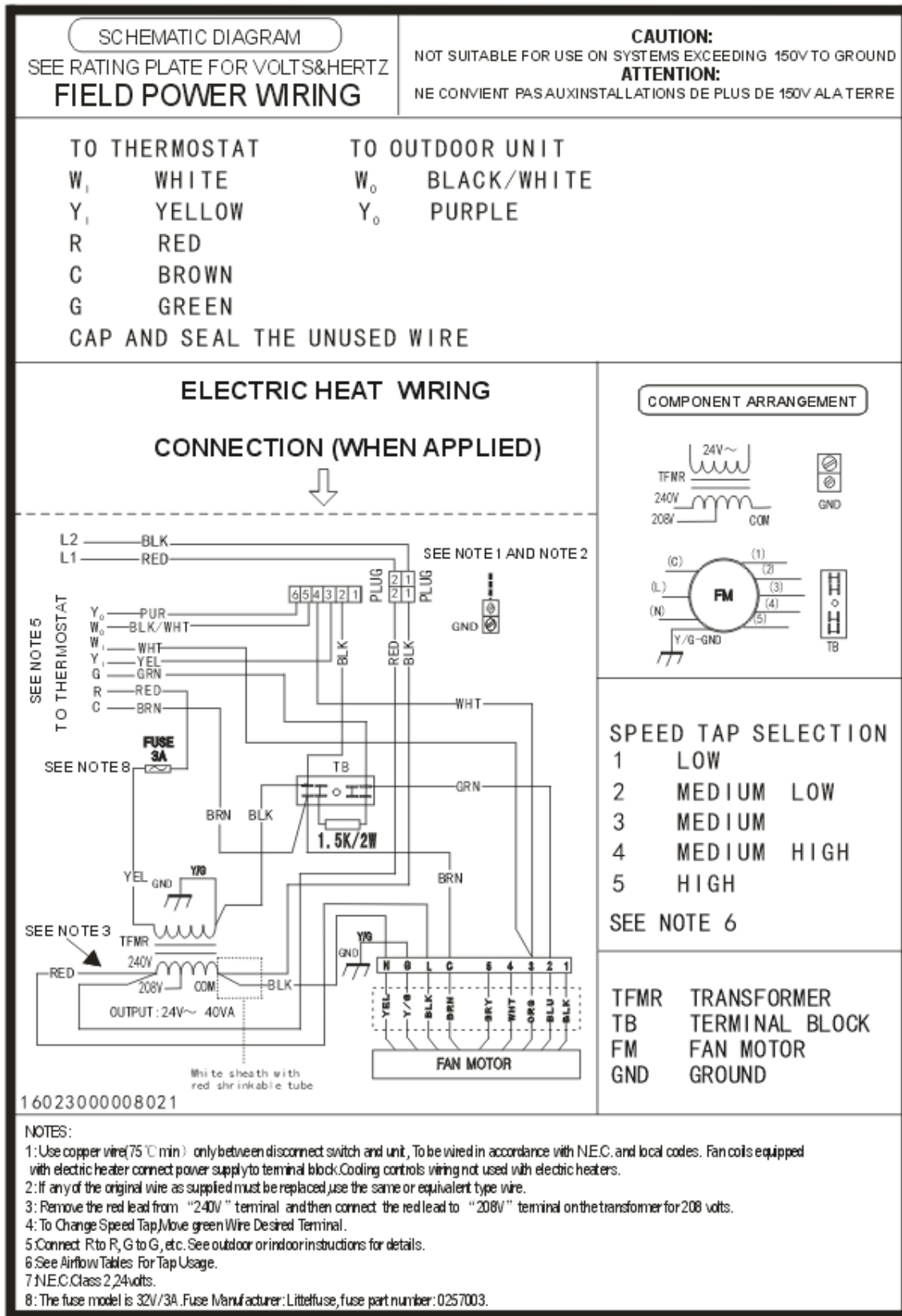
Installation must conform with local building codes and with the National Electrical Code NFPA70 current edition or Canadian Electrical Code Part 1 CSA C.22.1.

FMU4Z, FMC4Z 1-1/2 ton Wiring Diagram, ECM Motor



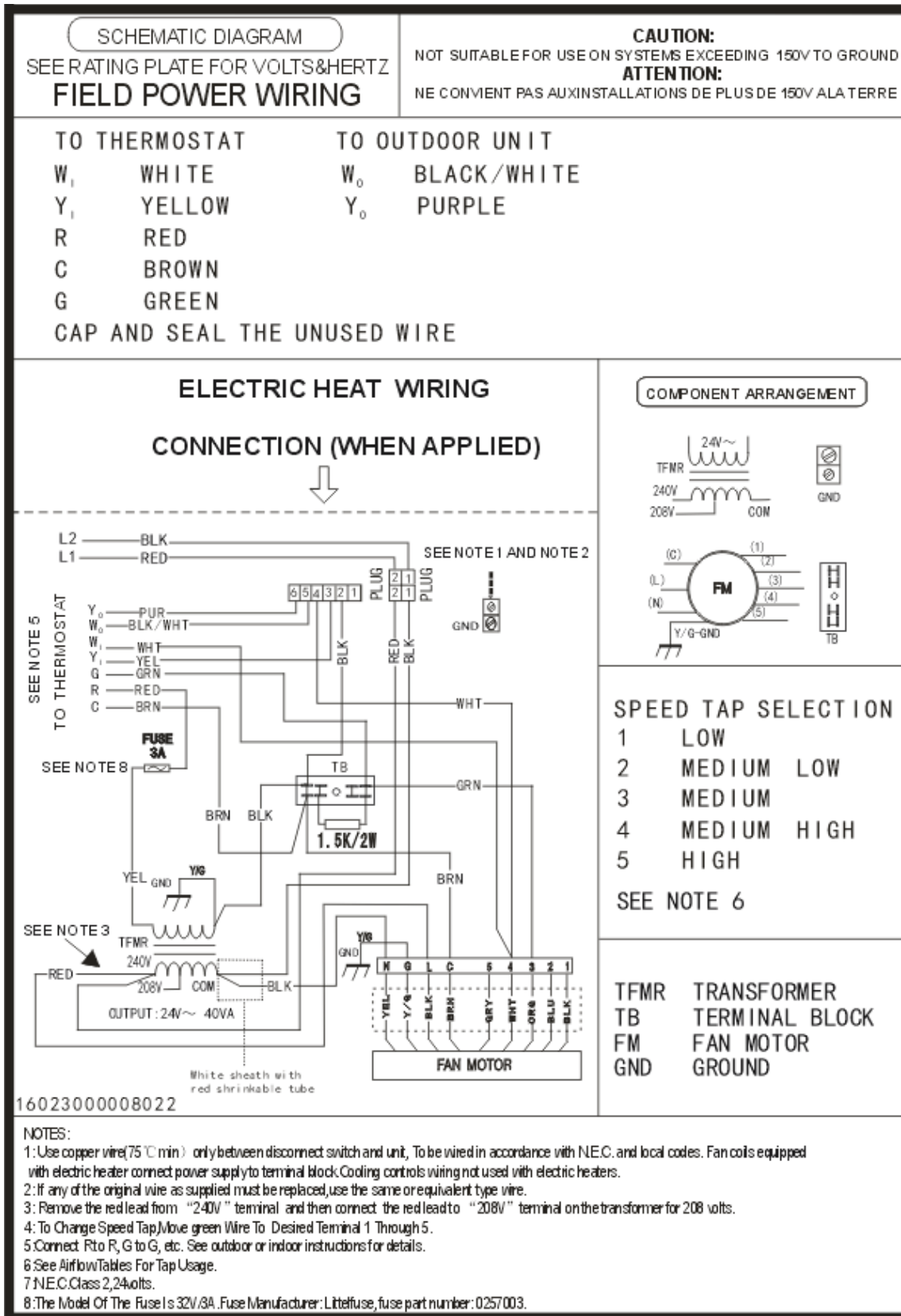
A180006

FMU4Z, FMC4Z 2 ton Wiring Diagram, ECM Motor



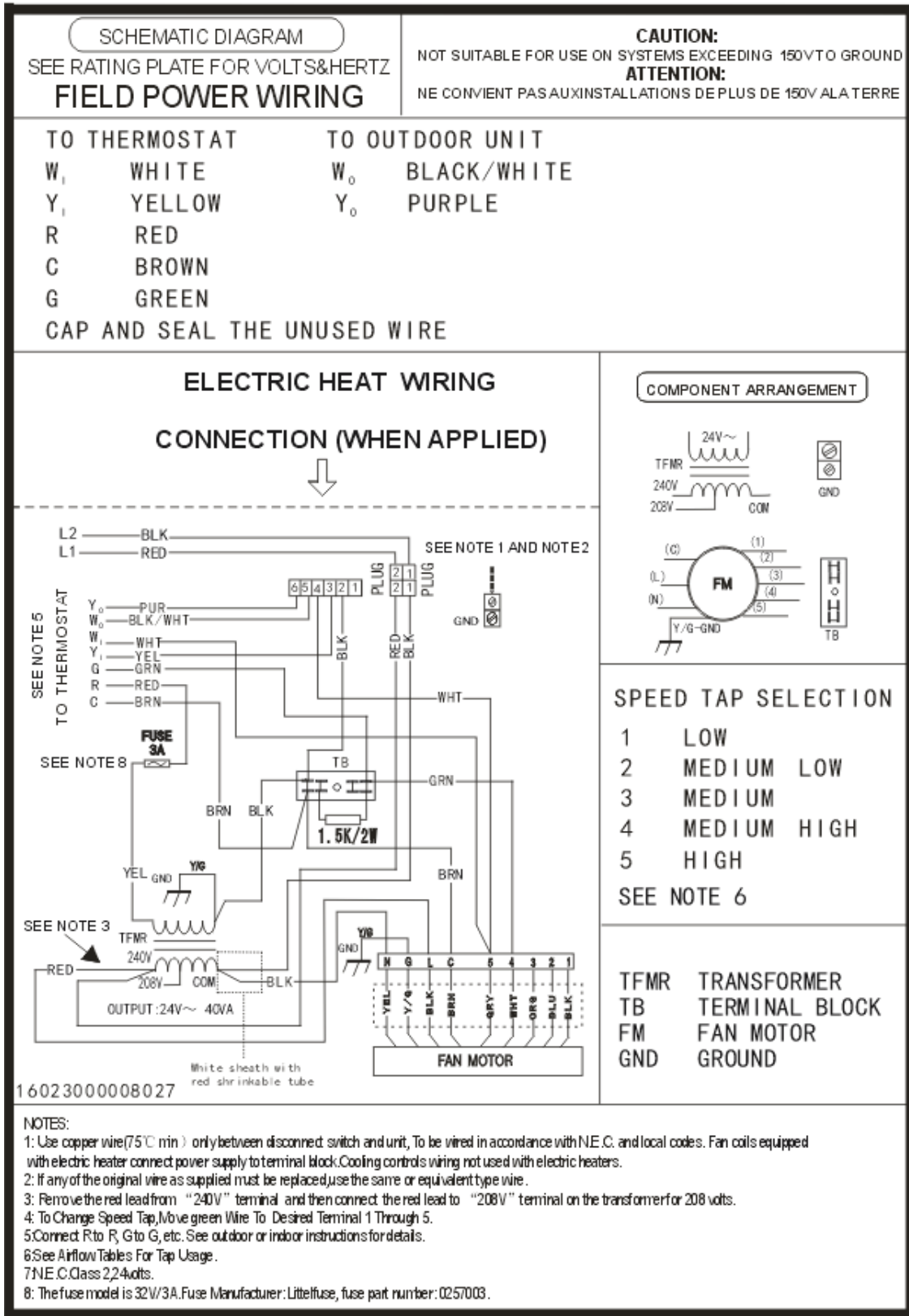
A180007

FMU4Z, FMC4Z 2-1/2 ton Wiring Diagram, ECM Motor



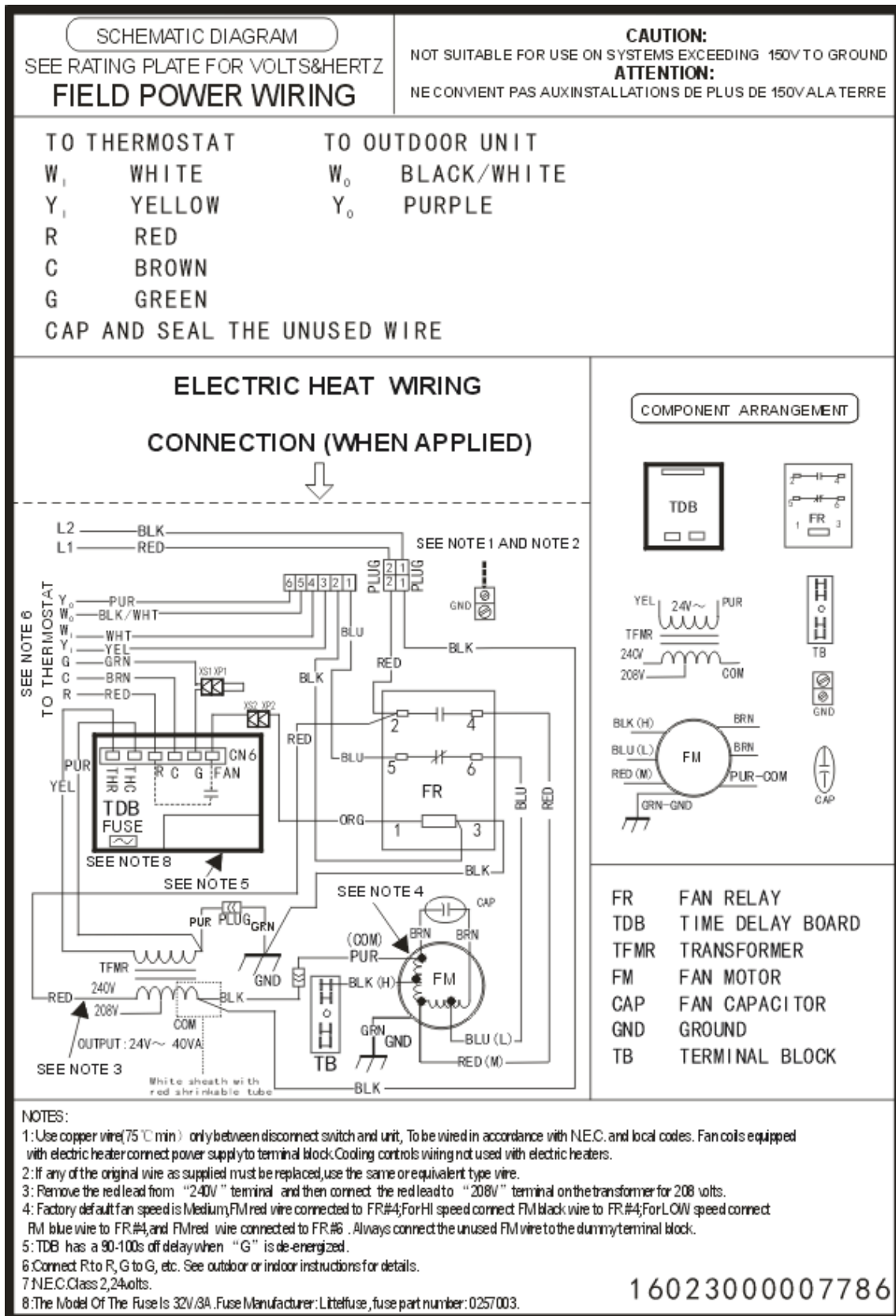
A180008

FMU4Z, FMC4Z 3 ton Wiring Diagram, ECM Motor



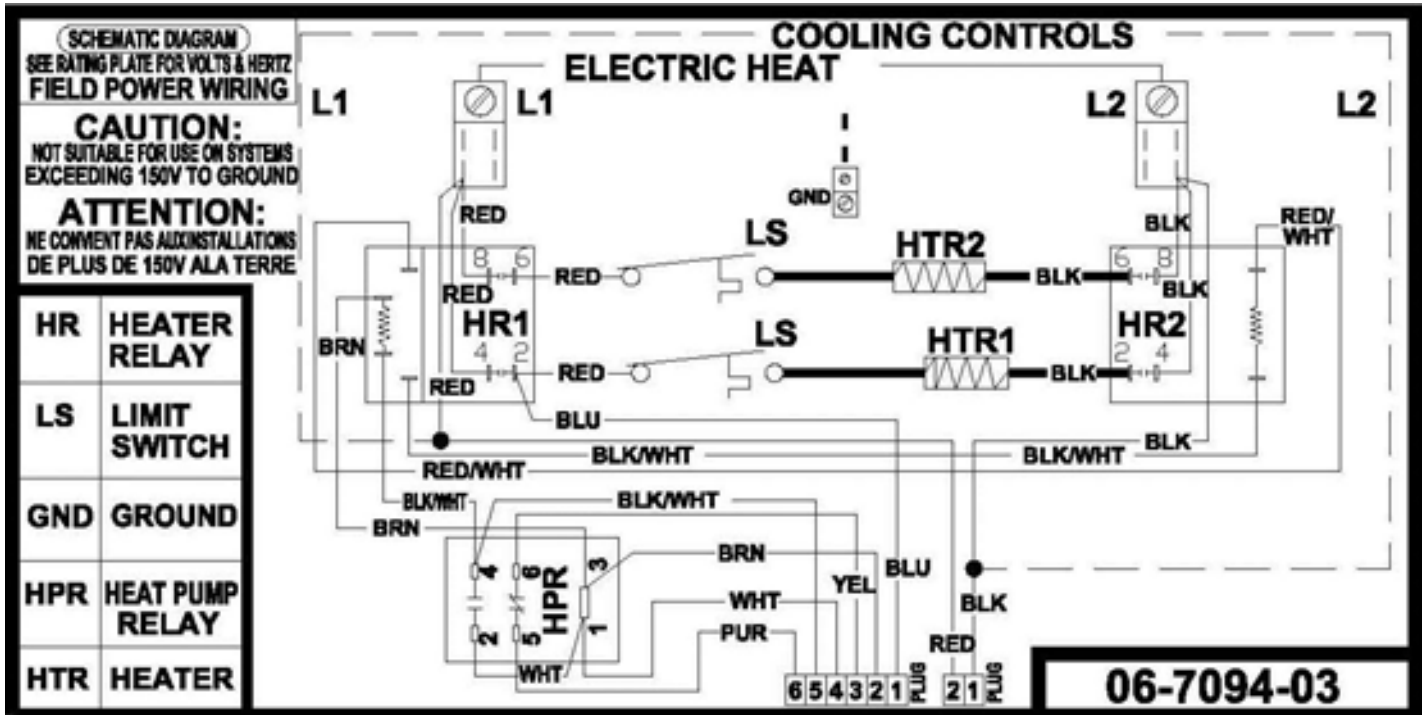
A180009

FMU4X, FMC4X Wiring Diagram, PSC Motor



A170311

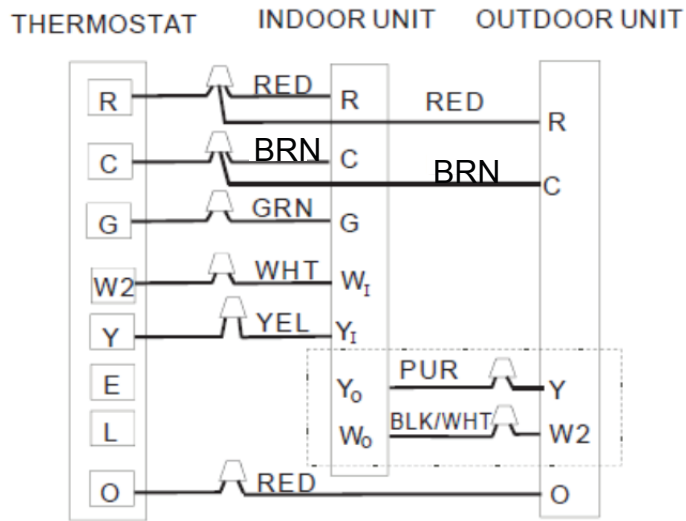
EHK3 Wiring Diagram



A170312

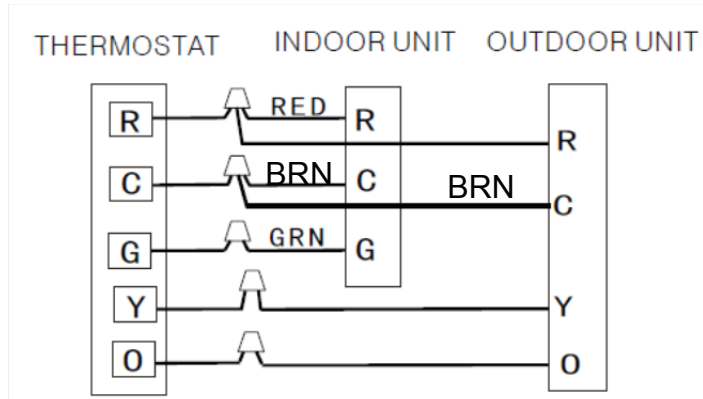
Thermostat Wiring Diagrams

Heat Pump with Electric Heater



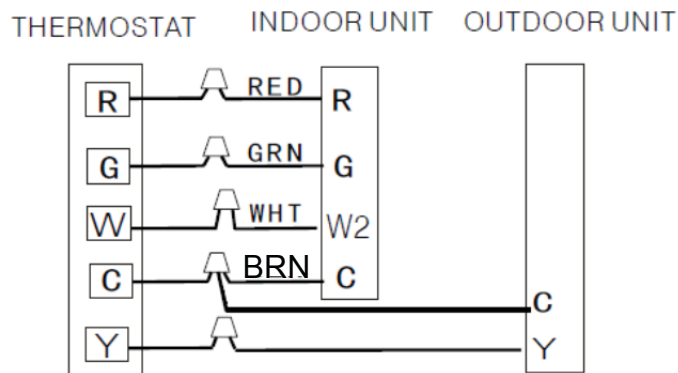
A180010

H/P without Electric Heater



A180011

A/C System



A180013