

WIRING DIAGRAM MANUAL

Apartment Fan Coil

FMA4P, FMA4X, WAMA, WAXA

Safety Labeling and Signal Words

DANGER, WARNING, CAUTION, and NOTE

The signal words **DANGER**, **WARNING**, **CAUTION**, and **NOTE** are used to identify levels of hazard seriousness. The signal word **DANGER** is only used on product labels to signify an immediate hazard. The signal words **WARNING**, **CAUTION**, and **NOTE** will be used on product labels and throughout this manual and other manuals that may apply to the product.

DANGER – Immediate hazards which **will** result in severe personal injury or death.

WARNING – Hazards or unsafe practices which **could** result in severe personal injury or death.

CAUTION – Hazards or unsafe practices which **may** result in minor personal injury or product or property damage.

NOTE – Used to highlight suggestions which **will** result in enhanced installation, reliability, or operation.

Signal Words in Manuals

The signal word **WARNING** is used throughout this manual in the following manner:



The signal word **CAUTION** is used throughout this manual in the following manner:



Signal Words on Product Labeling

Signal words are used in combination with colors and/or pictures on product labels.

TABLE OF CONTENTS

FMA4P, WAMA Wiring Diagram	2
FMA4X, WAXA 18 & 30 Wiring Diagram	3
FMA4X, WAXA 24 & 36 Wiring Diagram	4
EHK2 Wiring Diagram	5

MODELS

FMA4P1800A1	WAMA184A1
FMA4P2400A1	WAMA244A1
FMA4P3000A1	WAMA304A1
FMA4P3600A1	WAMA364A1
FMA4X1800A1	WAXA184A1
FMA4X2400A1	WAXA244A1
FMA4X3000A1	WAXA304A1
FMA4X3600A1	WAXA364A1

WARNING

DEATH, PERSONAL INJURY, AND/OR PROPERTY DAMAGE HAZARD

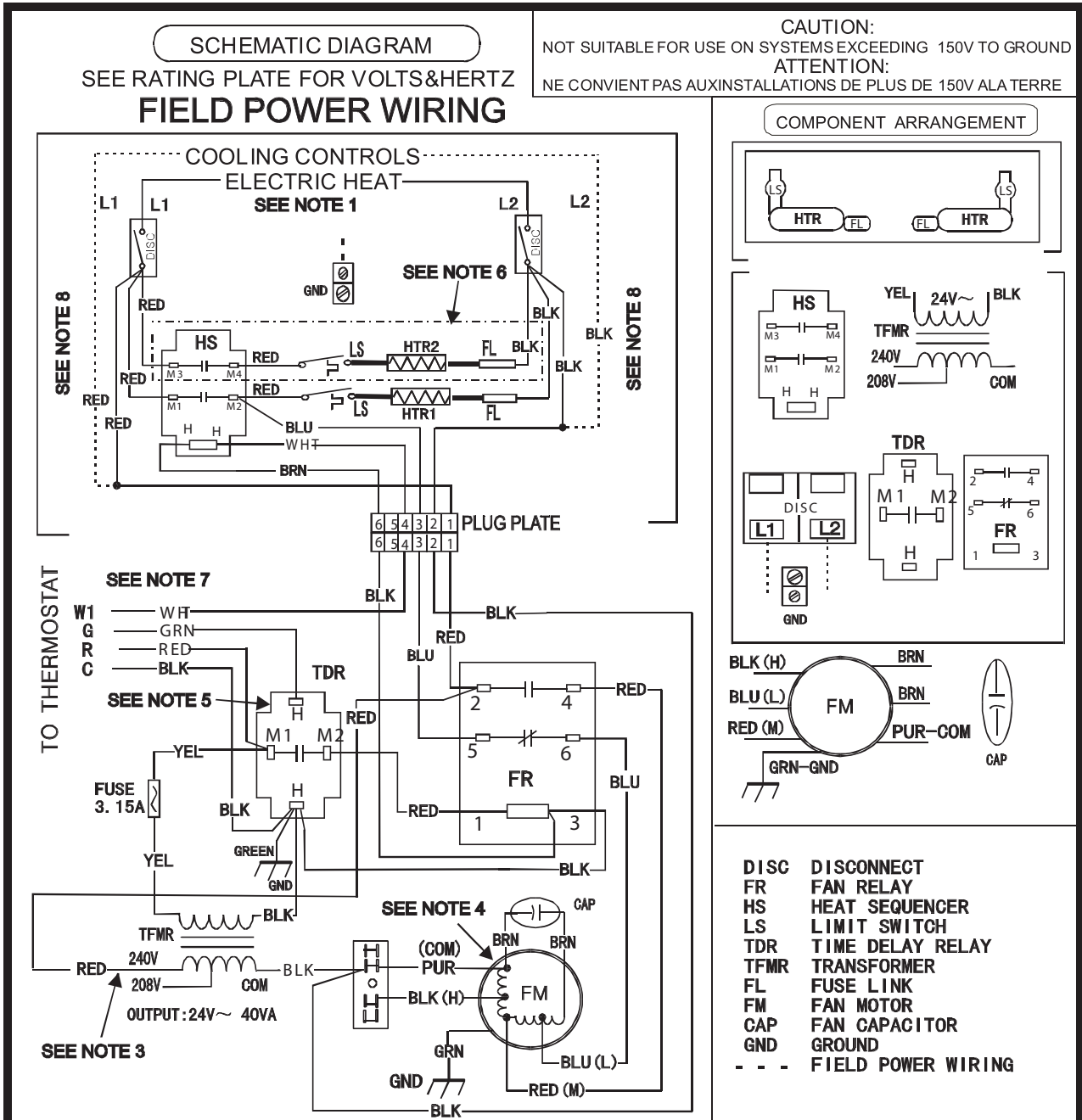
Failure to carefully read and follow this warning could result in equipment malfunction, property damage, personal injury and/or death.

Installation or repairs made by unqualified persons could result in equipment malfunction, property damage, personal injury and/or death.

The information contained in this manual is intended for use by a qualified service technician familiar with safety procedures and equipped with the proper tools and test instruments.

Installation must conform with local building codes and with the National Electrical Code NFPA70 current edition or Canadian Electrical Code Part 1 CSA C.22.1.

FMA4P, WAMA Wiring Diagram



- NOTES:**
- 1: Use copper wire (75°C min) only between disconnect switch and unit, To be wired in accordance with N.E.C. and local codes.
 - 2: If any of the original wire as supplied must be replaced, use the same or equivalent type wire.
 - 3: Remove the red lead from "240V" terminal and then connect the red lead to "208V" terminal on the transformer for 208 volts.
 - 4: Factory default fan speed is medium; FM red wire connected to FR #4. For HI speed connect FM black wire to FR #4. For LOW speed connect FM blue wire to FR #4 and FM red wire to FR #6. Always connect the unused FM wire to the dummy terminal block.
 - 5: TDR has a 1-30s on delay when "G" is energized and a 45-75s off delay when "G" is de-energized.
 - 6: The 5kW heater kit has HTR1 only. Fan coils equipped with electric heat connect power supply to circuit breaker.
 - 7: Connect R to R, G to G, etc. See outdoor or indoor instructions for details.
 - 8: Cooling controls wiring not used with electric heaters.

202070290385

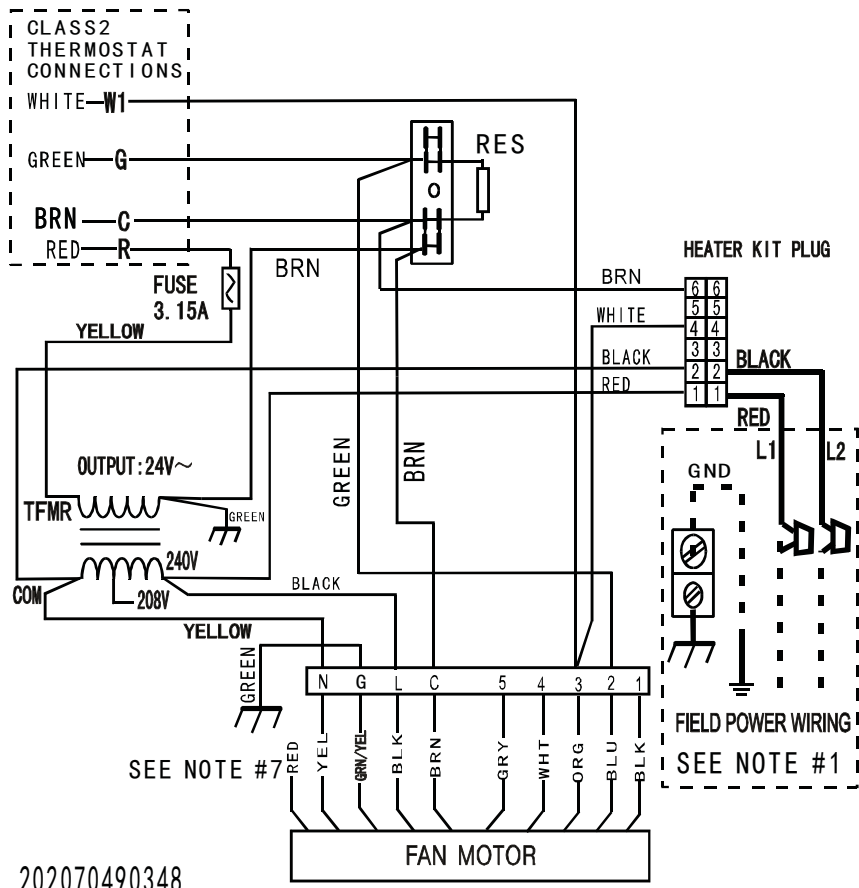
A13131

FMA4X, WAXA 1-1/2 ton and 2-1/2 Wiring Diagram

SCHEMATIC DIAGRAM

SEE RATING PLATE FOR VOLTS&HERTZ
FIELD POWER WIRING

CAUTION:
NOT SUITABLE FOR USE ON SYSTEMS EXCEEDING 150V TO GROUND
ATTENTION:
NE CONVIENT PAS AUX INSTALLATIONS DE PLUS DE 150V ALA TERRE

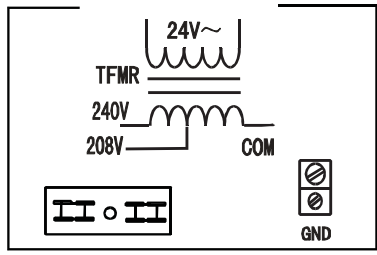


202070490348

NOTES:

- 1: Use Copper Wire (75°C Min) Only Between Disconnect Switch And Unit .
- 2: To Be Wired In Accordance With NEC And Local Codes.
- 3: If Any Of The Original Wire ,As Supplied, Must Be Replaced. Use The Same Or Equivalent Type Wire.
- 4: Connect R To R, G To G, Etc. See Outdoor Instruction For Details.
- 5: To Change Speed Tap, Move Green Wire Desired Terminal.
- 6: See Airflow Tables For Tap Usage.
- 7: Factory Wires May Be Present, DO NOT USE.
- 8: Taps 2 & 4 Have a 90s Delay Off, Taps 1, 3 & 5 are 30s.

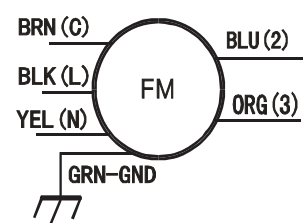
COMPONENT ARRANGEMENT



SPEED TAP SELECTION

- 1 LOW
- 2 MEDIUM LOW
- 3 MEDIUM
- 4 MEDIUM HIGH
- 5 HIGH

SEE NOTE #5, #6 & #8.



TFMR TRANSFORMER
FM FAN MOTOR
GND GROUND
RES RESISTOR
- - - FIELD POWER WIRING

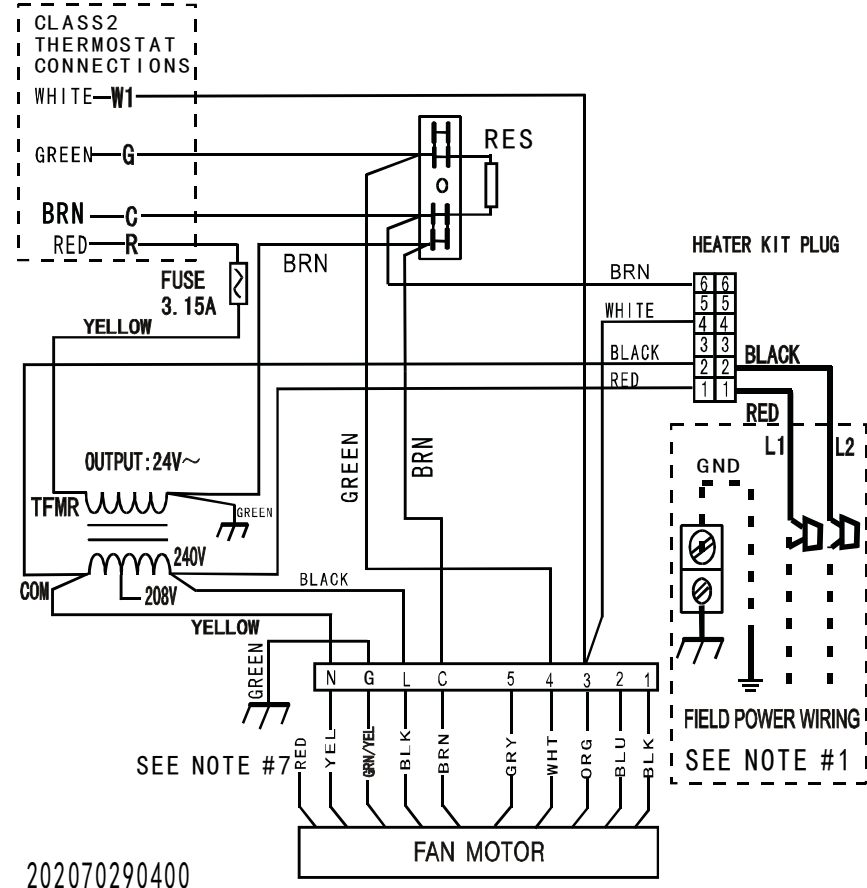
L14S001

FMA4X, WAXA 2 ton and 3 ton Wiring Diagram

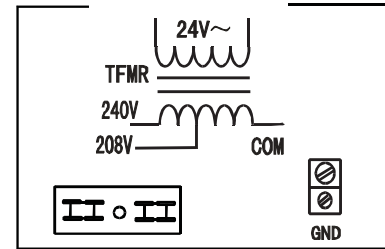
SCHEMATIC DIAGRAM

SEE RATING PLATE FOR VOLTS&HERTZ
FIELD POWER WIRING

CAUTION:
NOT SUITABLE FOR USE ON SYSTEMS EXCEEDING 150V TO GROUND
ATTENTION:
NE CONVIENT PAS AUX INSTALLATIONS DE PLUS DE 150V ALA TERRE



COMPONENT ARRANGEMENT



SPEED TAP SELECTION

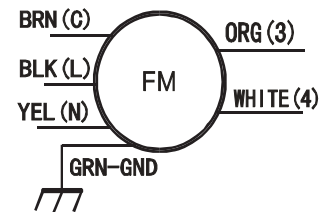
- 1 LOW
- 2 MEDIUM LOW
- 3 MEDIUM
- 4 MEDIUM HIGH
- 5 HIGH

SEE NOTE #5, #6 & #8.

202070290400

NOTES:

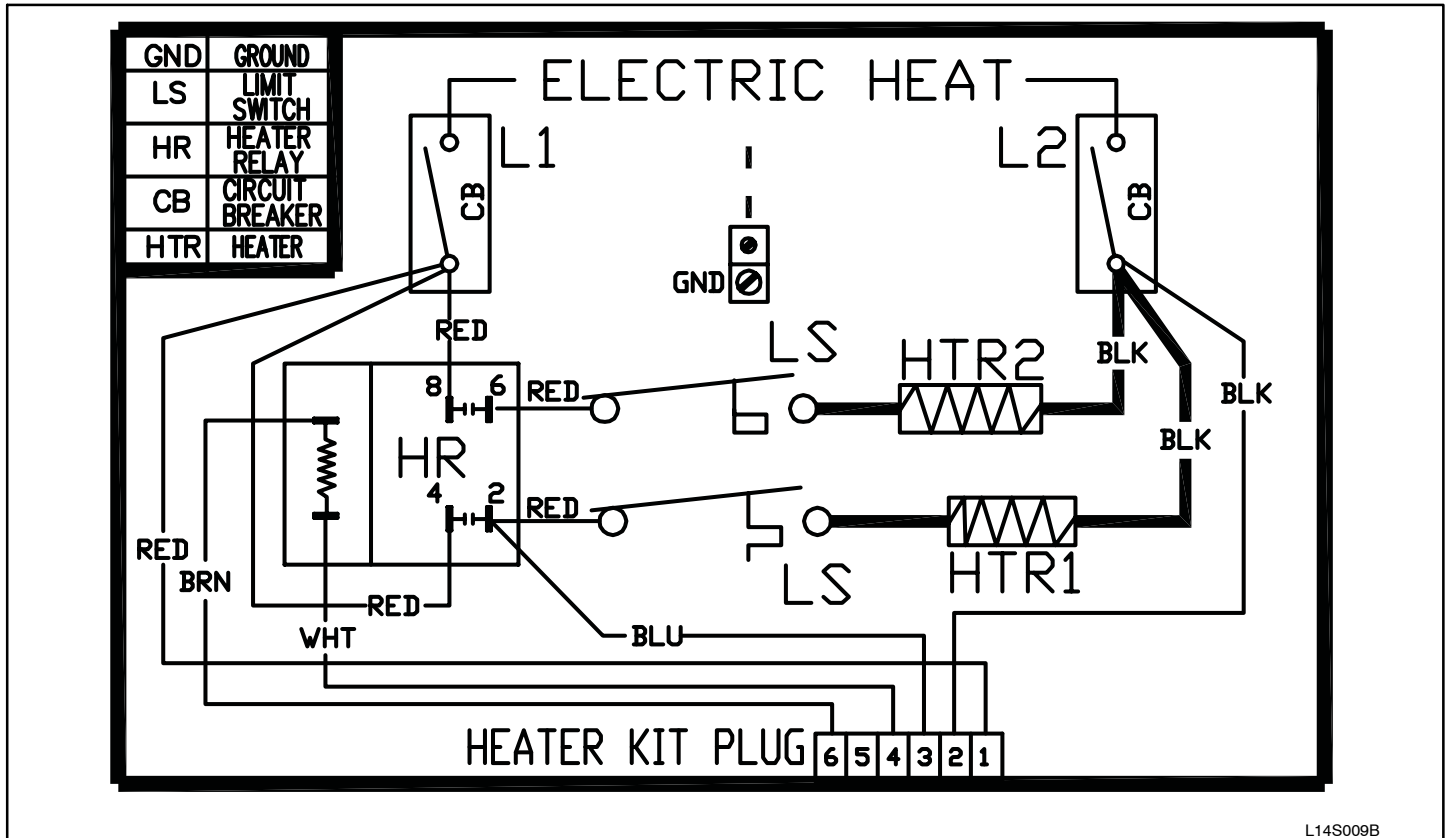
- 1: Use Copper Wire (75°C Min) Only Between Disconnect Switch And Unit .
- 2: To Be Wired In Accordance With NEC And Local Codes.
- 3: If Any Of The Original Wire ,As Supplied, Must Be Replaced. Use The Same Or Equivalent Type Wire.
- 4: Connect R To R, G To G, Etc. See Outdoor Instruction For Details.
- 5: To Change Speed Tap, Move Green Wire Desired Terminal.
- 6: See Airflow Tables For Tap Usage.
- 7: Factory Wires May Be Present, DO NOT USE.
- 8: Taps 2 & 4 Have a 90s Delay Off, Taps 1, 3 & 5 are 30s.



TFMR TRANSFORMER
FM FAN MOTOR
GND GROUND
RES RESISTOR
- - - FIELD POWER WIRING

L14S002

EHK2 - Wiring Diagram



L14S009B