

WIRING DIAGRAM MANUAL

Apartment Fan Coil

FMA4P, FMA4X

Safety Labeling and Signal Words

DANGER, WARNING, CAUTION, and NOTE

The signal words **DANGER**, **WARNING**, **CAUTION**, and **NOTE** are used to identify levels of hazard seriousness. The signal word **DANGER** is only used on product labels to signify an immediate hazard. The signal words **WARNING**, **CAUTION**, and **NOTE** will be used on product labels and throughout this manual and other manuals that may apply to the product.

DANGER – Immediate hazards which **will** result in severe personal injury or death.

WARNING – Hazards or unsafe practices which **could** result in severe personal injury or death.

CAUTION – Hazards or unsafe practices which **may** result in minor personal injury or product or property damage.

NOTE – Used to highlight suggestions which **will** result in enhanced installation, reliability, or operation.

Signal Words in Manuals

The signal word **WARNING** is used throughout this manual in the following manner:



The signal word **CAUTION** is used throughout this manual in the following manner:



Signal Words on Product Labeling

Signal words are used in combination with colors and/or pictures on product labels.

TABLE OF CONTENTS

FMA4X with built in Time Delay, 1-1/2 & 2-1/2 ton	
Wiring Diagram, ECM Motor	2
FMA4P with built in Time Delay, 2 ton & 3 ton	
Wiring Diagram, ECM Motor	3
FMA4P with Time Delay Board	
Wiring Diagram, PSC Motor	4
EHK2 Wiring Diagram	5
Thermostat Wiring	6

MODELS

FMA4P1800A	FMA4X1800A
FMA4P2400A	FMA4X2400A
FMA4P3000A	FMA4X3000A
FMA4P3600A	FMA4X3600A



DEATH, PERSONAL INJURY, AND/OR PROPERTY DAMAGE HAZARD

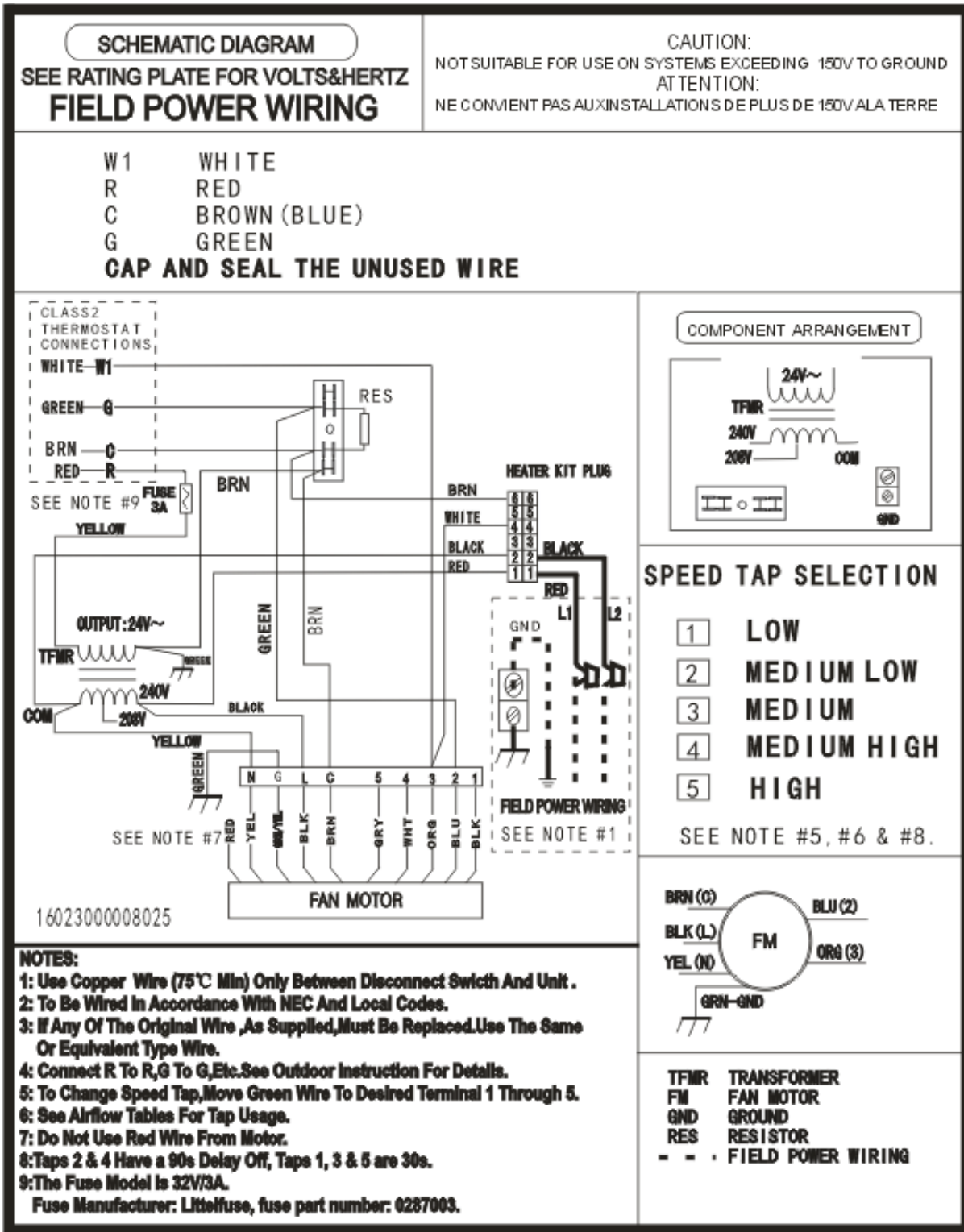
Failure to carefully read and follow this warning could result in equipment malfunction, property damage, personal injury and/or death.

Installation or repairs made by unqualified persons could result in equipment malfunction, property damage, personal injury and/or death.

The information contained in this manual is intended for use by a qualified service technician familiar with safety procedures and equipped with the proper tools and test instruments.

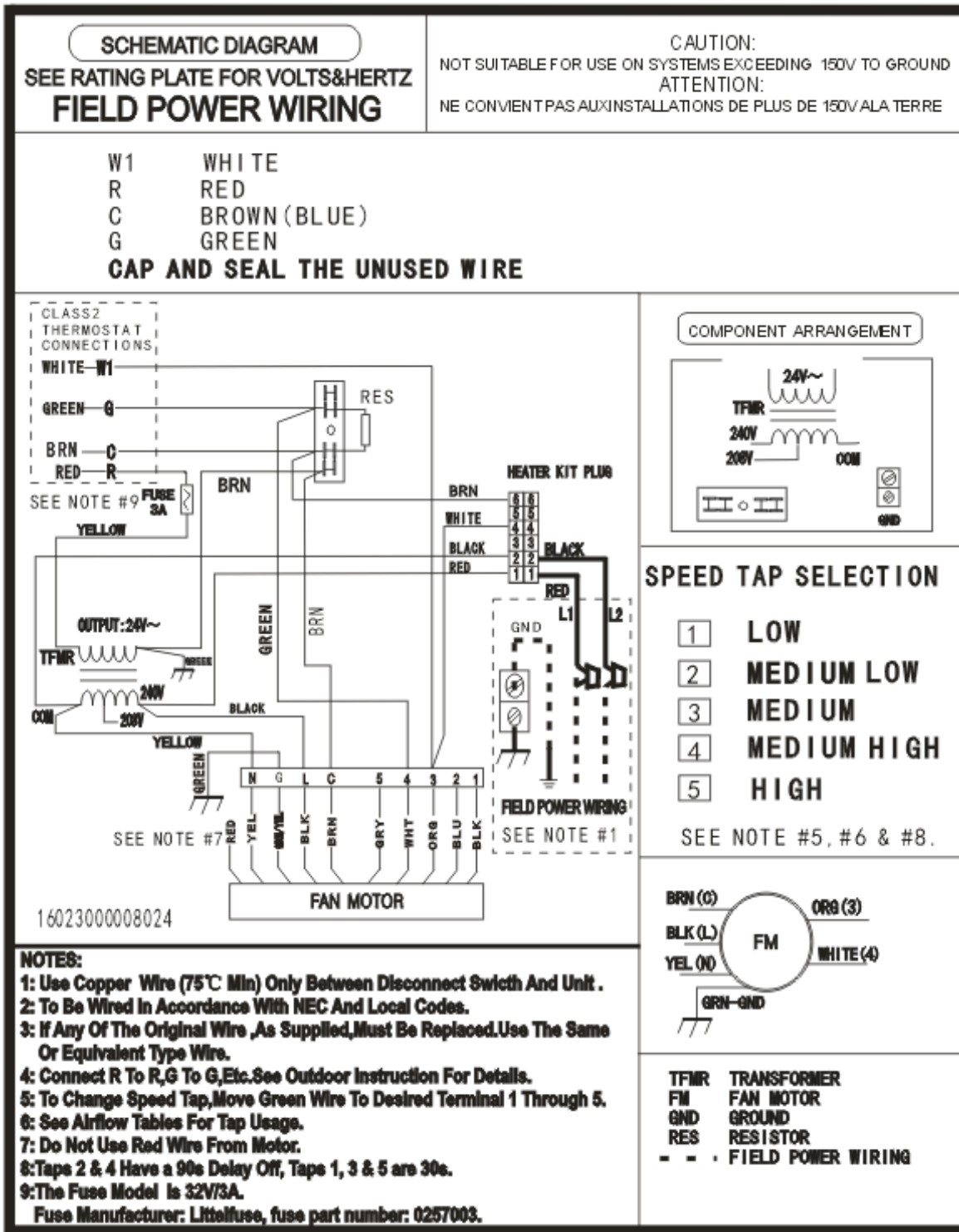
Installation must conform with local building codes and with the National Electrical Code NFPA70 current edition or Canadian Electrical Code Part 1 CSA C.22.1.

FMA4X 1-1/2 ton & 2-1/2 ton Wiring Diagram, ECM Motor



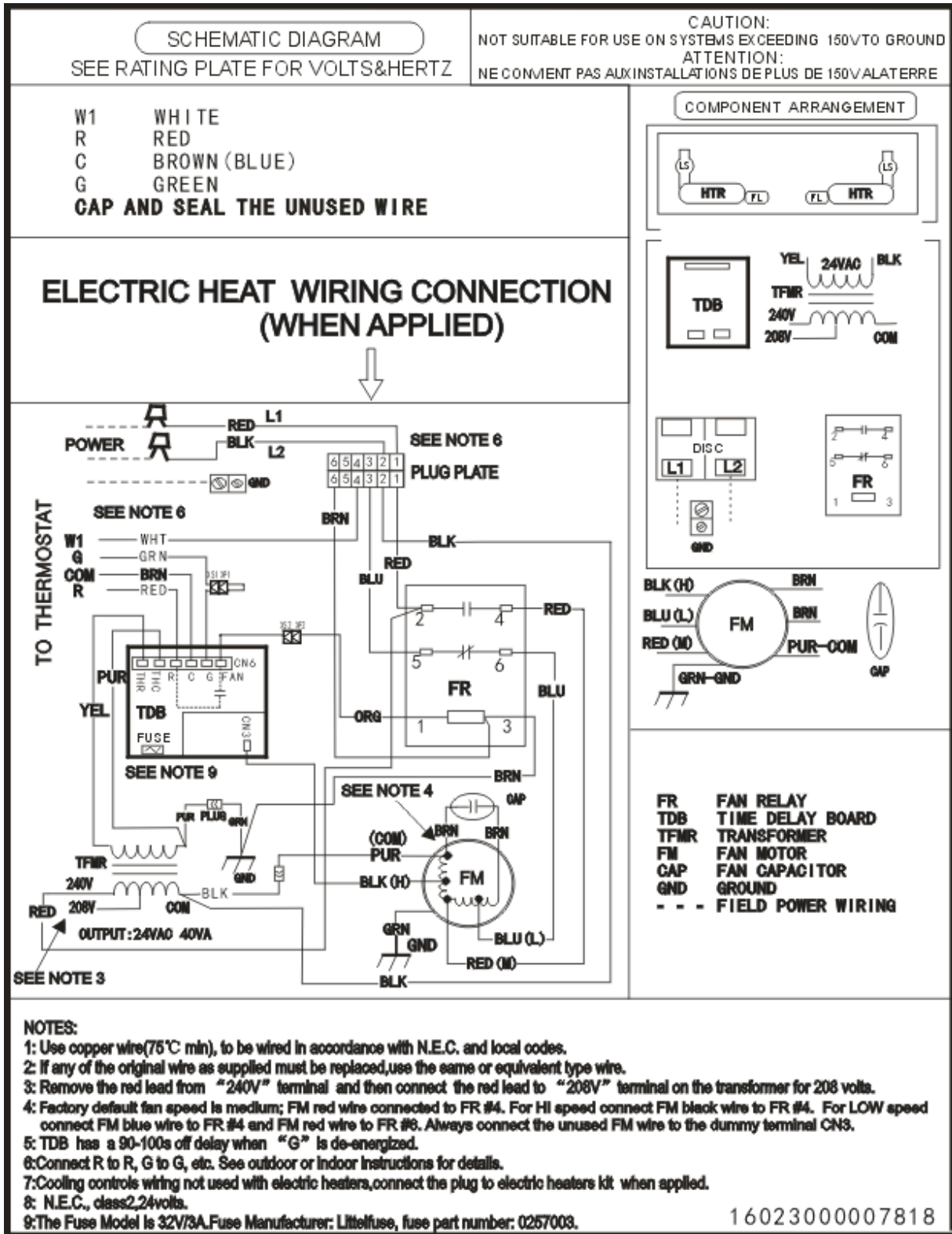
A180012

FMA4X 2 ton and 3 ton Wiring Diagram, ECM Motor



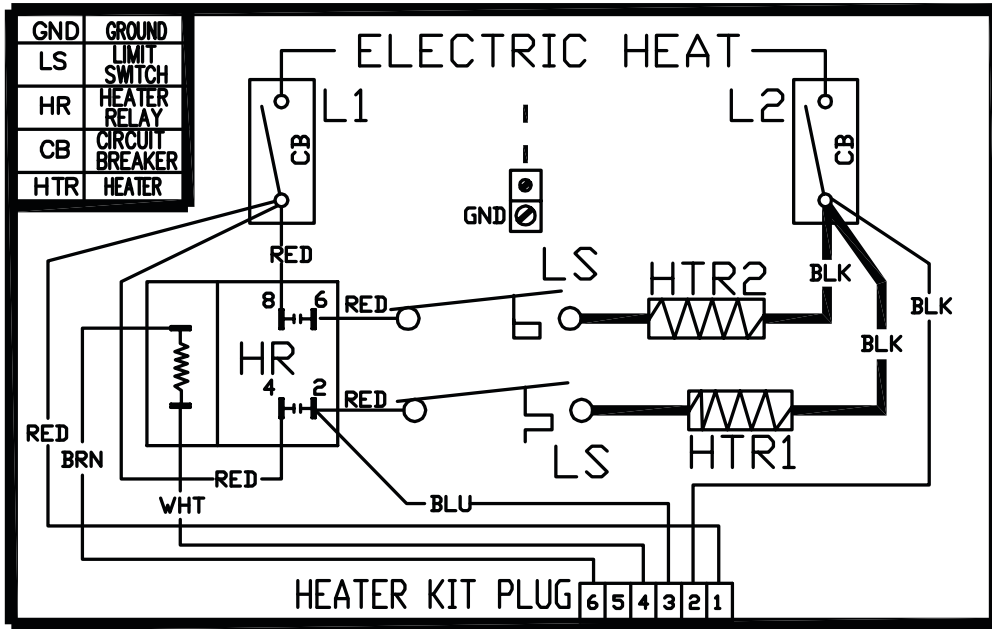
A170314

FMA4P Wiring Diagram, PSC Motor



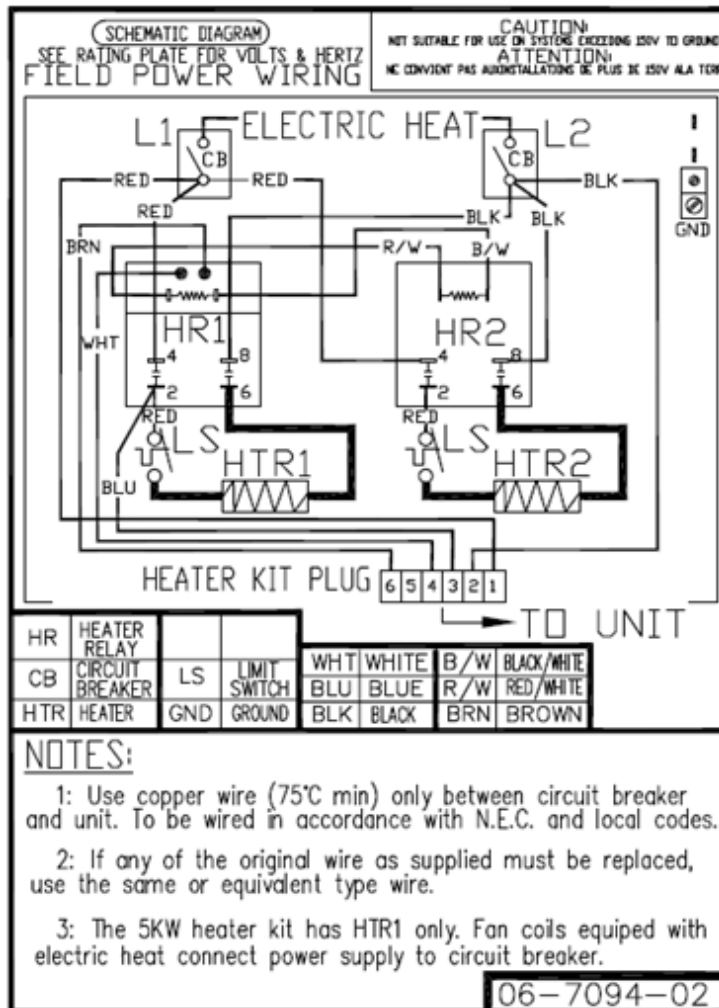
A170313

EHK2 - Wiring Diagram



L14S009B

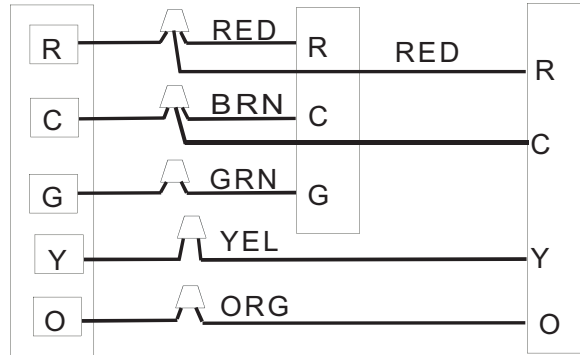
EHK2 - Electric Heat Wiring Diagram



A170315

Wiring Layout Heat Pump Unit (Cooling and 1-Stage Heat)

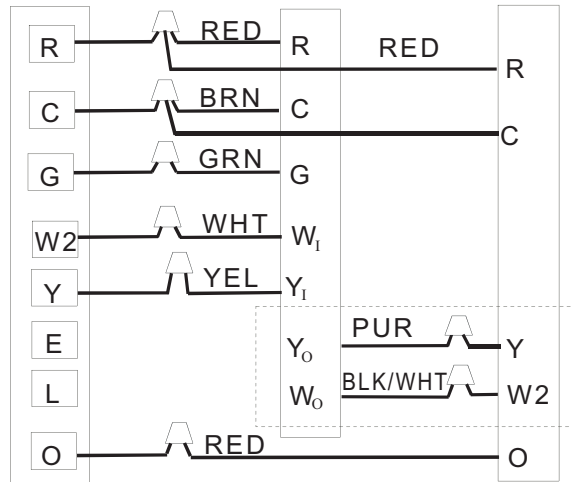
THERMOSTAT INDOOR UNIT OUTDOOR UNIT



A150200

Wiring Layout Heat Pump Unit (Cooling and 2-Stage Heat)

THERMOSTAT INDOOR UNIT OUTDOOR UNIT



A150202