

TECHNICAL SUPPORT MANUAL

Fan Coils

FEM4X (B series)

Safety Labeling and Signal Words

DANGER, WARNING, CAUTION, and NOTE

The signal words **DANGER**, **WARNING**, **CAUTION**, and **NOTE** are used to identify levels of hazard seriousness. The signal word **DANGER** is only used on product labels to signify an immediate hazard. The signal words **WARNING**, **CAUTION**, and **NOTE** will be used on product labels and throughout this manual and other manuals that may apply to the product.

DANGER – Immediate hazards which **will** result in severe personal injury or death.

WARNING – Hazards or unsafe practices which **could** result in severe personal injury or death.

CAUTION – Hazards or unsafe practices which **may** result in minor personal injury or product or property damage.

NOTE – Used to highlight suggestions which **will** result in enhanced installation, reliability, or operation.

Signal Words in Manuals

The signal word **WARNING** is used throughout this manual in the following manner:



The signal word **CAUTION** is used throughout this manual in the following manner:



Signal Words on Product Labeling

Signal words are used in combination with colors and/or pictures on product labels.

TABLE OF CONTENTS

Model Number Identification	2
FEM4X–B1, B2 Wiring Diagram	3
Airflow Tables	4 – 5
Exploded Drawing	6 – 9
FEM4X18–48B1, BT1 Parts List	10 – 11
FEM4X60B2, BT2 Parts List	12

MODELS

- FEM4X1800B1
- FEM4X1800BT1
- FEM4X2400B1
- FEM4X2400BT1
- FEM4X3000B1
- FEM4X3000BT1
- FEM4X3600B1
- FEM4X3600BT1
- FEM4X4200B1
- FEM4X4200BT1
- FEM4X4800B1
- FEM4X4800BT1
- FEM4X6000B2
- FEM4X6000BT2

WARNING

ELECTRICAL SHOCK HAZARD

Failure to turn off electric power could result in personal injury or death.

Before installing or servicing system, turn off main power to the system. There may be more than one disconnect switch, including accessory heater(s).

FAN COIL MODEL NUMBER IDENTIFICATION GUIDE

	F	E	M	4	X	1800	B	T
F = Fan Coil								
S = Standard PSC								
E = High efficiency ECM		MOTOR TYPE						
U = Upflow								
M = Multiposition		INSTALLATION TYPE						
4 = Environmentally Sound R-410A				REFRIGERANT				
P = Piston Metering Device						METERING DEVICE		
1800 = 18,000 BTUH = 1½ tons								
2400 = 24,000 BTUH = 2 tons								
3000 = 30,000 BTUH = 2½ tons								
3600 = 36,000 BTUH = 3 tons								
4200 = 42,000 BTUH = 3½ tons								
4800 = 48,000 BTUH = 4 tons								
6000 = 60,000 BTUH = 5 tons						NOMINAL CAPACITY		
B = Standard								
BT = Tin coated copper tubes								SALES CODE / FEATURES

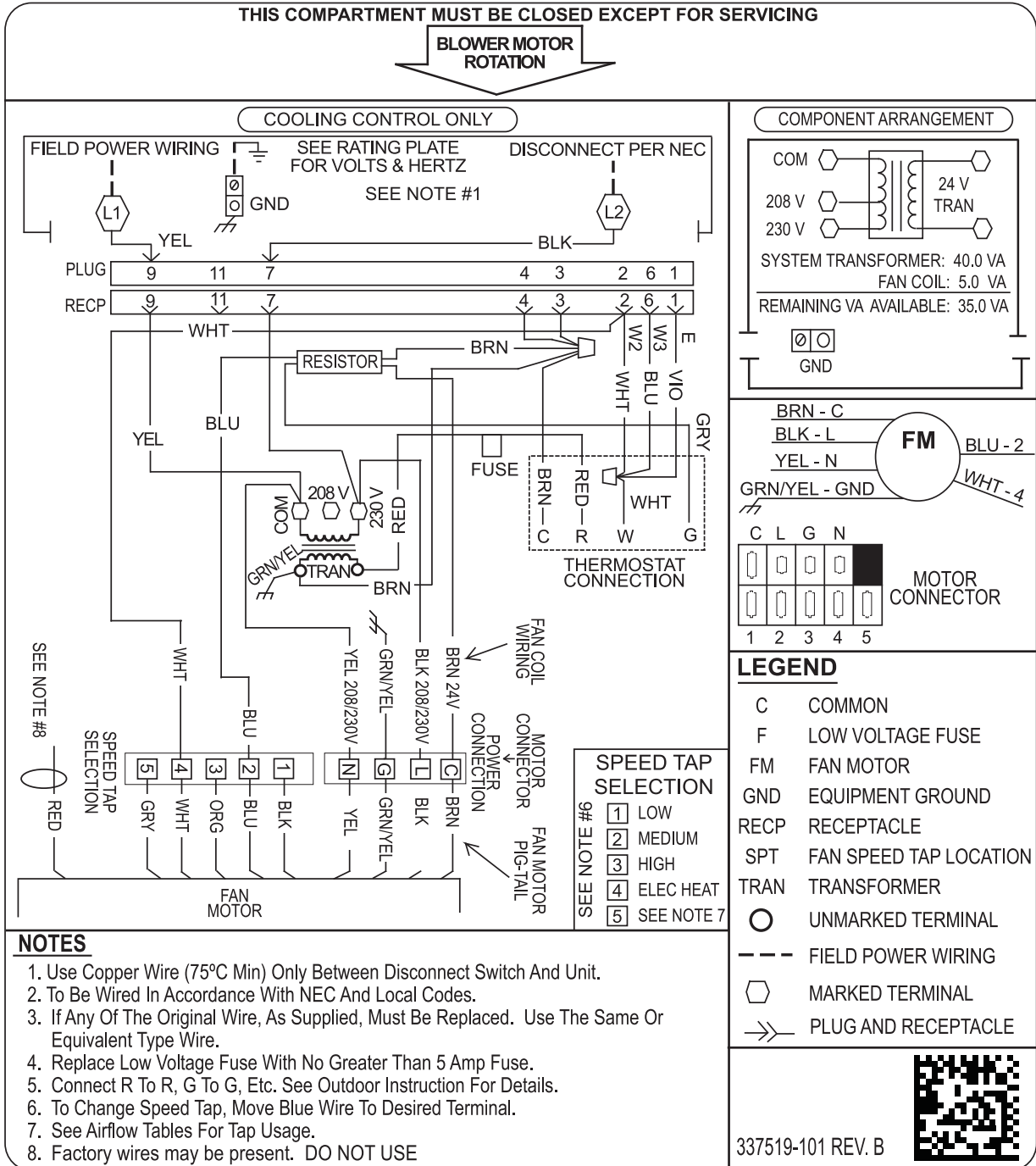
ACCESSORIES PART NUMBER IDENTIFICATION GUIDE

	EB	AC	01	NCB	A
EB = Evaporator Blower					
AC = Accessory					
01 = Product Identifier Number					
NCB = Non-Combustible Base Kit					
DFK = Down Flow Kit					
PLG = Power Plug (no heat kit)					
SPK = Single Point Wiring Kit					
FKS = Filter Kit Small					
FKM = Filter Kit Medium					
FKL = Filter Kit Large					
FKX = Filter Kit Extra Large					
CTK = Condensate Trap Kit (PVC pipe)					
Sales Code					

ELECTRIC HEATER MODEL NUMBER IDENTIFICATION GUIDE

	EHK	05	A	K	N	1
EHK = Electric Heater Kit						
05 = 5 kW						
07 = 7 kW						
09 = 9 kW						
10 = 10 kW						
15 = 15 kW						
18 = 18 kW						
20 = 20 kW						
25 = 25 kW						
30 = 30 kW		NOMINAL HEAT VALUE				
Sales Code						
K = 208 / 230 single-phase						
H = 208 / 230, 3-phase						
KC = 208 / 230, supplied as single phase, field convertible to 3-phase						
HC = 208 / 230 supplied as 3-phase, field convertible to single phase				VOLTAGE (60 Hz)		
Product Identifier						
Engineering Code						

FEM4X-B



AIRFLOW PERFORMANCE – CFM at a given Speed and Static reading							
Model	Blower Speed	Total Static (inches water column)					
		0.10	0.20	0.30	0.40	0.50	0.60
FEM4X1800(B1, BT1)	Tap 5	767	739	702	669	620	565
	Tap 4	614	569	534	486	436	398
	Tap 3	701	660	616	581	537	499
	Tap 2	614	569	534	486	436	398
	Tap 1	614	569	534	486	436	398
FEM4X2400(B1, BT1)	Tap 5	969	936	892	835	763	676
	Tap 4	826	795	766	743	706	660
	Tap 3	826	795	766	743	706	660
	Tap 2	701	660	616	581	537	499
	Tap 1	617	592	552	507	472	420
FEM4X3000(B1, BT1)	Tap 5	1108	1090	1065	1034	1009	974
	Tap 4	1026	1000	969	938	899	865
	Tap 3	1026	1000	969	938	899	865
	Tap 2	909	873	842	799	762	724
	Tap 1	825	795	757	722	674	634
FEM4X3600(B1, BT1)	Tap 5	1301	1276	1245	1218	1176	1121
	Tap 4	1227	1191	1169	1143	1105	1074
	Tap 3	1227	1191	1169	1143	1105	1074
	Tap 2	1087	1062	1030	1001	966	930
	Tap 1	1026	1000	969	938	899	865
FEM4X4200(B1, BT1)	Tap 5	1560	1544	1507	1464	1424	1358
	Tap 4	1419	1397	1358	1320	1279	1239
	Tap 3	1419	1397	1358	1320	1279	1239
	Tap 2	1249	1220	1184	1142	1093	1052
	Tap 1	1242	1205	1158	1110	1069	1026
FEM4X4800(B1, BT1)	Tap 5	1743	1712	1679	1642	1610	1574
	Tap 4	1669	1634	1599	1564	1531	1499
	Tap 3	1669	1634	1599	1564	1531	1499
	Tap 2	1452	1413	1377	1339	1308	1271
	Tap 1	1300	1256	1221	1182	1142	1101
FEM4X6000(B2, BT2)	Tap 5	1897	1867	1836	1808	1774	1736
	Tap 4	1817	1785	1757	1724	1693	1655
	Tap 3	1817	1785	1757	1724	1693	1655
	Tap 2	1657	1621	1589	1557	1518	1474
	Tap 1	1443	1412	1377	1332	1286	1243

- NOTES:**
- Airflow based upon dry coil at 230v with factory-approved filter and electric heater (2 element heater sizes 1800 through 3600, 3 element heater sizes 4200 through 6000). For FEM4X models, airflow at 208 volts is approximately the same as 230 volts because the ECM motor is a constant torque motor. The torque doesn't drop off at the speeds the motor operates.
 - To avoid potential for condensate blowing out of drain pan prior to making drain trap:
Return static pressure must be less than 0.40 in. wc.
Horizontal applications of 4200 – 6000 sizes must have supply static greater than 0.20 in. wc.
 - Airflow above 400 cfm/ton on 4800–6000 size could result in condensate blowing off coil or splashing out of drain pan.

PRESSURE DROP ACROSS FILTER (inches of water column)									
Model Size	CFM								
	400	600	800	1000	1200	1400	1600	1800	2000
1800B	0.02	0.044	0.075	—	—	—	—	—	—
2400B, 3000B	—	0.022	0.048	0.072	0.100	—	—	—	—
3600B, 4200B, 4800B	—	—	—	0.051	0.070	0.092	0.120	0.152	—
6000B	—	—	—	—	—	—	0.086	0.105	0.130

STATIC PRESSURE CORRECTION FROM DRY TO WET COIL (inches of water column)																
Model Size	CFM															
	500	600	700	800	900	1000	1100	1200	1300	1400	1500	1600	1700	1800	1900	2000
1800B	0.034	0.049	0.063	—	—	—	—	—	—	—	—	—	—	—	—	—
2400B	0.034	0.049	0.063	0.076	0.089	—	—	—	—	—	—	—	—	—	—	—
3000B	—	—	—	0.049	0.059	0.070	0.080	—	—	—	—	—	—	—	—	—
3600B	—	—	—	—	—	0.070	0.080	0.090	0.099	—	—	—	—	—	—	—
4200B	—	—	—	—	—	—	—	0.049	0.056	0.063	0.070	—	—	—	—	—
4800B	—	—	—	—	—	—	—	—	—	0.063	0.070	0.076	0.083	0.090	—	—
6000B	—	—	—	—	—	—	—	—	—	—	—	0.049	0.054	0.059	0.065	0.070

MINIMUM CFM WHEN USING ELECTRIC HEAT

Model Size	HEATER kW									
	3	5	8	9	10	15	18	20	24	30
1800B	525	525	525	—	600	—	—	—	—	—
2400B	700	700	700	—	700	775	—	—	—	—
3000B	—	875	875	—	875	875	—	1060	—	—
3600B	—	1050	970	970	970	920	—	1040	—	—
4200B	—	—	1225	1225	1225	1225	1225	1225	—	—
4800B	—	—	1400	1400	1400	1400	1400	1400	1400	1400
6000B										

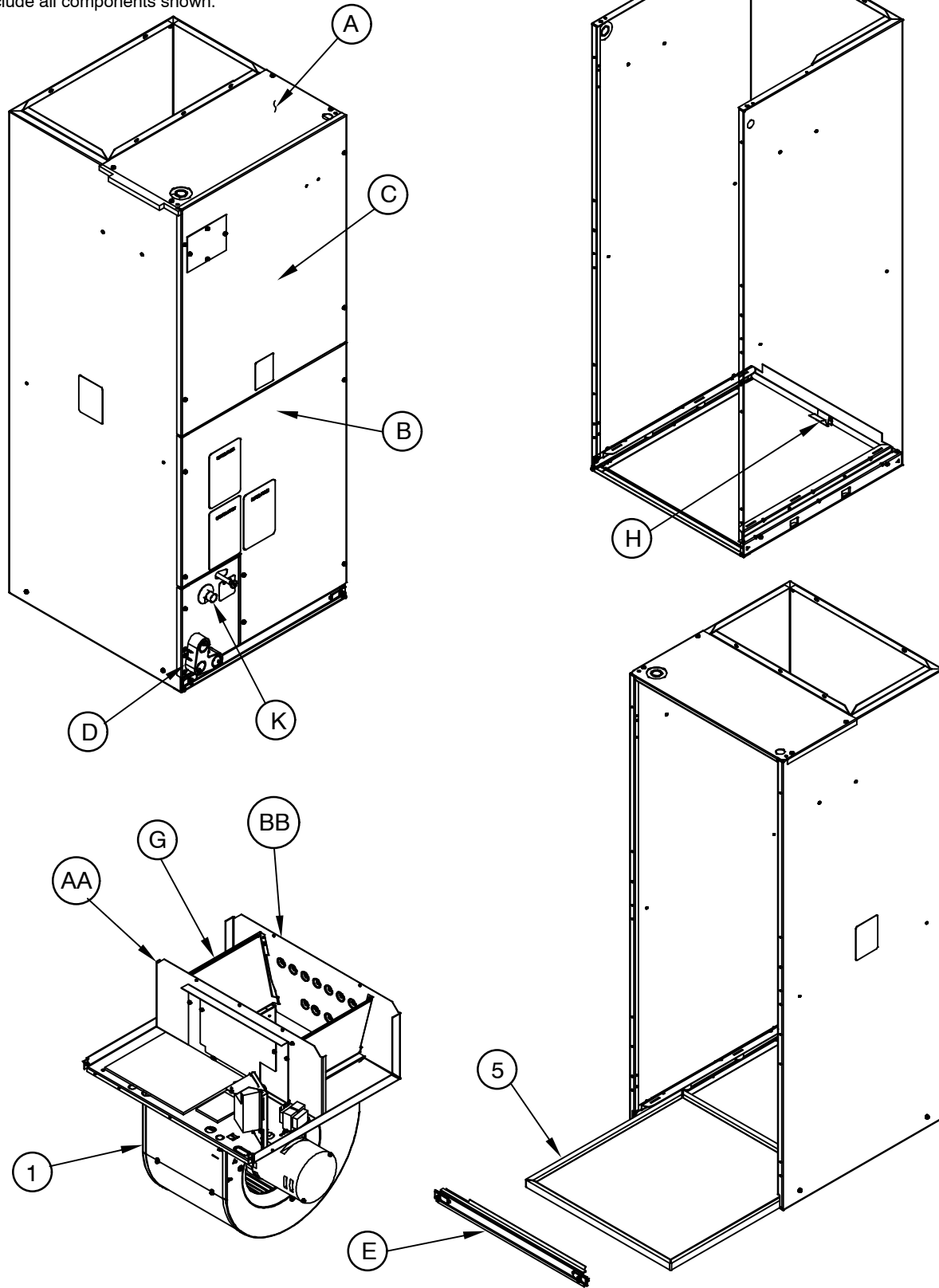
Note: Speed Tap 4 (white wire) is used for electric heat only. White wire must remain on tap 4.

STATIC PRESSURE CORRECTION FOR ELECTRIC HEATERS (inches of water column)

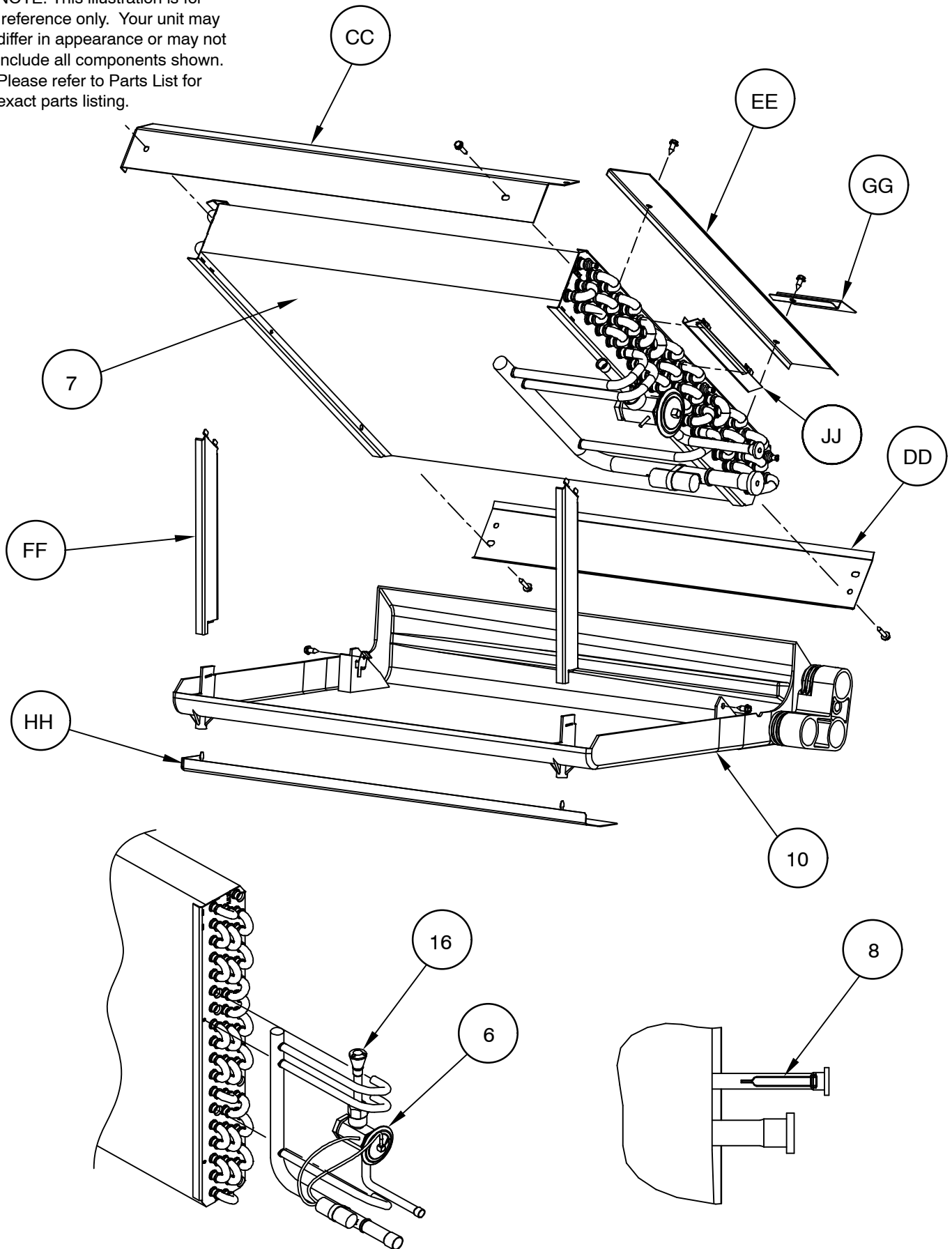
Airflow performance chart was developed using fan coils with 10 kW electric heater (2 elements) in the 1800 – 3600 model sizes, and 15 kW electric heaters (3 elements) in the 4200 – 4800 model sizes. When using a different number of heater elements, adjust the static pressure numbers by adding or subtracting the values in this table (for a given CFM, more electric heater elements create higher static pressure drop).

Model Size	Heater kW					
	No Heater	3 or 5	8 or 10	9 or 15	20	18, 24, or 30
	Number of Heat Elements					
	0	1	2	3	4	6
1800B	+0.02	+0.01	0	-0.02	-0.04	-
2400B	+0.02	+0.01	0	-0.02	-0.04	-
3000B	+0.02	+0.01	0	-0.02	-0.04	-
3600B	+0.02	+0.01	0	-0.02	-0.04	-
4200B	+0.04	-	+0.02	0	-0.02	-0.10
4800B	+0.04	-	+0.02	0	-0.02	-0.10
6000B						

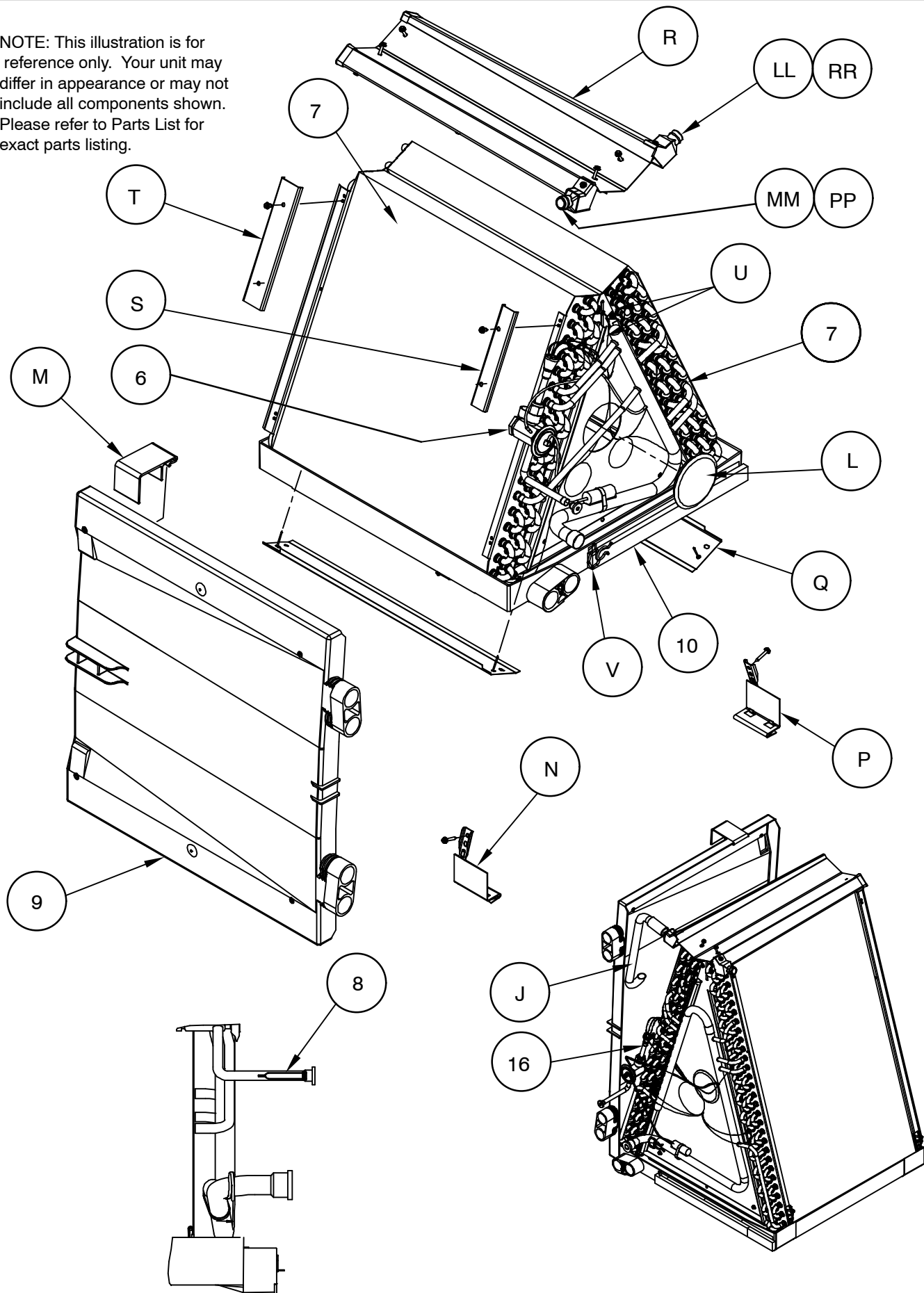
NOTE: This illustration is for reference only. Your unit may differ in appearance or may not include all components shown.



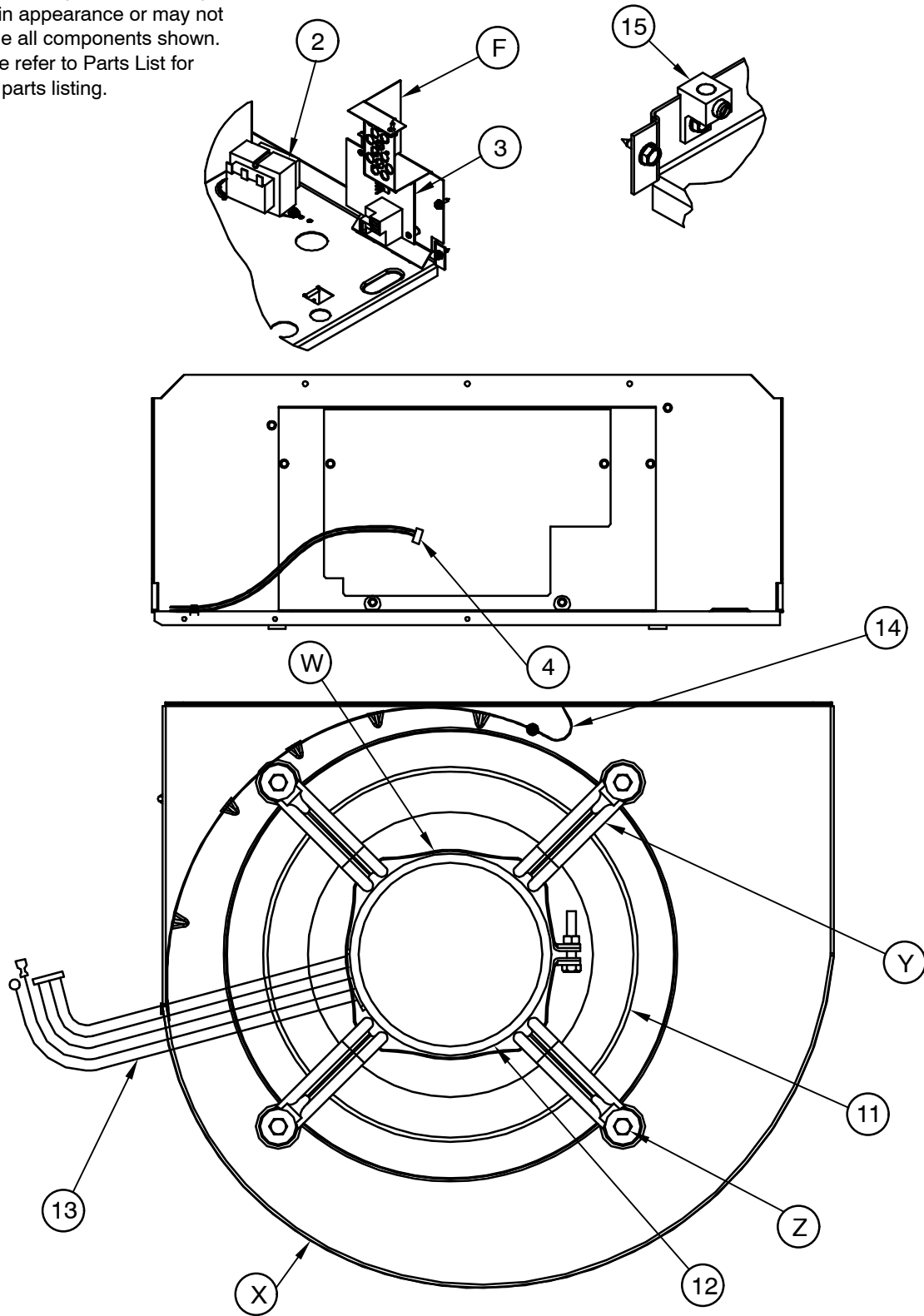
NOTE: This illustration is for reference only. Your unit may differ in appearance or may not include all components shown. Please refer to Parts List for exact parts listing.



NOTE: This illustration is for reference only. Your unit may differ in appearance or may not include all components shown. Please refer to Parts List for exact parts listing.



NOTE: This illustration is for reference only. Your unit may differ in appearance or may not include all components shown. Please refer to Parts List for exact parts listing.



FEM4X-B PARTS LIST														
KEY NO.	DESCRIPTION	PART NO.	FEM4X1800B1	FEM4X2400B1	FEM4X3000B1	FEM4X3600B1	FEM4X4200B1	FEM4X4800B1	FEM4X1800BT1	FEM4X2400BT1	FEM4X3000BT1	FEM4X3600BT1	FEM4X4200BT1	FEM4X4800BT1
01	BLOWER ASSY DD9-6	1179652	1	-	-	-	-	-	1	-	-	-	-	-
01	BLOWER ASSY	1184755	-	1	-	-	-	-	-	1	-	-	-	-
01	BLOWER ASSY	1184756	-	-	1	-	-	-	-	-	1	-	-	-
01	BLOWER ASSY	1184757	-	-	-	1	-	-	-	-	-	1	-	-
01	BLOWER ASSY DD10-9	1179656	-	-	-	-	1	-	-	-	-	-	1	-
01	BLOWER ASSY	1185868	-	-	-	-	-	1	-	-	-	-	-	1
02	TRANS 208/230>24 40VA	1172028	1	1	1	1	1	1	1	1	1	1	1	1
04	HARNESS ASSY BLOWER	1171676	1	1	1	1	1	1	1	1	1	1	1	1
06	VALVE EXPANSION	1172348	1	1	-	-	-	-	1	1	-	-	-	-
06	TXV	1178991	-	-	1	-	-	-	-	-	1	-	-	-
06	TXV	1178990	-	-	-	1	1	-	-	-	-	1	1	-
06	TXV	1183311	-	-	-	-	-	1	-	-	-	-	-	1
07	COIL & HDR ASSY	1173765	1	1	-	-	-	-	-	-	-	-	-	-
07	COIL & HDR ASSY	1173766	-	-	1	-	-	-	-	-	-	-	-	-
07	COIL & HDR ASY	1185914	-	-	-	1	-	-	-	-	-	-	-	-
07	COIL & HDR ASY	1185918	-	-	-	-	1	-	-	-	-	-	-	-
07	COIL & HDR ASY	1185915	-	-	-	-	-	1	-	-	-	-	-	-
07	COIL AND HDR ASY	1179020	-	-	-	-	-	-	1	1	-	-	-	-
07	COIL AND HDR ASY	1179022	-	-	-	-	-	-	-	-	1	-	-	-
07	COIL & HDR ASY	1185916	-	-	-	-	-	-	-	-	-	1	-	-
07	COIL & HDR ASY	1185925	-	-	-	-	-	-	-	-	-	-	1	-
07	COIL & HDR ASY	1185917	-	-	-	-	-	-	-	-	-	-	-	1
08	STRAINER	1171740	1	1	1	1	1	1	1	1	1	1	1	1
09	PAN CONDENSATE	1185148	-	-	-	-	1	1	-	-	-	-	1	1
10	CNDS PAN ASY	1184758	1	1	-	-	-	-	1	1	-	-	-	-
10	CNDS PAN ASY	1184759	-	-	1	1	-	-	-	-	1	1	-	-
10	CNDS PAN ASY	1184561	-	-	-	-	1	1	-	-	-	-	1	1
11	WHEEL DD9x6x1/2 CW CV	1171743	1	1	-	-	-	-	1	1	-	-	-	-
11	WHEEL DD10x7x1/2 CW CV	1171745	-	-	1	1	-	-	-	-	1	1	-	-
11	WHEEL DD10x9x1/2 CW CV	1171741	-	-	-	-	1	-	-	-	-	-	1	-
11	WHEEL DD11x9x1/2 CW CV	1171742	-	-	-	-	-	1	-	-	-	-	-	1
12	MTR BLR 1/230 1/3 HP	1179678	1	-	-	-	-	-	1	-	-	-	-	-
12	MTR BLR 1/3 HP	1185024	-	1	-	-	-	-	-	1	-	-	-	-
12	MTR BLR 1/3 HP	1185023	-	-	1	-	-	-	-	-	1	-	-	-
12	MTR BLR 1/2 HP ECM	1185157	-	-	-	1	-	-	-	-	-	1	-	-
12	MTR BLR 3/4 HP	1185679	-	-	-	-	-	1	-	-	-	-	-	1
12A	CONTROLLER ECM X-13 MTR 1/3 HP	1185270	1	-	-	-	-	-	1	-	-	-	-	-
13	HARNESS ASY ECMX FAN COIL	1178976	1	1	1	1	1	1	1	1	1	1	1	1
14	PANEL CUTOFF BLWR	1171570	1	1	-	-	-	-	1	1	-	-	-	-
14	PANEL CUTOFF BLWR	1171567	-	-	1	1	-	-	-	-	-	1	-	-
14	PANEL CUTOFF BLWR	1171568	-	-	-	-	1	-	-	-	-	-	1	-
14	PANEL CUTOFF BLWR	1171572	-	-	-	-	-	1	-	-	-	-	-	1
15	LUG GROUND	1170677	1	1	1	1	1	1	1	1	1	1	1	1
16	DISTRIBUTOR ASY	1172624	1	1	-	-	-	-	1	1	-	-	-	-
16	DISTRIBUTOR ASY	1171603	-	-	1	1	-	-	-	-	1	1	-	-
16	DISTRIBUTOR ASY	1172983	-	-	-	-	1	1	-	-	-	-	1	1
)	FUSE 3A	1179701	1	1	1	1	1	1	1	1	1	1	1	1
A	PANEL TOP	1172360	1	1	-	-	-	-	1	1	-	-	-	-
A	PANEL TOP	1172361	-	-	1	1	-	-	-	-	1	1	-	-
A	PANEL TOP	1172362	-	-	-	-	1	1	-	-	-	-	1	1
AA	PLATE HEATER	1171583	1	1	-	-	-	-	1	1	-	-	-	-
AA	PLATE HEATER	1171584	-	-	1	1	-	-	-	-	1	1	-	-
AA	PLATE HEATER	1171581	-	-	-	-	1	1	-	-	-	-	1	1
B	DOOR LOWER	1172366	1	1	-	-	-	-	1	1	-	-	-	-
B	DOOR LOWER	1172343	-	-	1	1	-	-	-	-	1	1	-	-
B	DOOR LOWER	1172368	-	-	-	-	1	1	-	-	-	-	1	1
BB	DECK BLOWER	1171585	1	1	-	-	-	-	1	1	-	-	-	-

FEM4X-B PARTS LIST

KEY NO.	DESCRIPTION	PART NO.	FEM4X1800B1	FEM4X2400B1	FEM4X3000B1	FEM4X3600B1	FEM4X4200B1	FEM4X4800B1	FEM4X1800BT1	FEM4X2400BT1	FEM4X3000BT1	FEM4X3600BT1	FEM4X4200BT1	FEM4X4800BT1
BB	DECK BLOWER	1171587	-	-	1	1	-	-	-	-	1	1	-	-
BB	DECK BLOWER	1171588	-	-	-	-	1	1	-	-	-	-	1	1
C	DOOR UPPER	1172373	1	1	-	-	-	-	1	1	-	-	-	-
C	DOOR UPPER	1172374	-	-	1	1	-	-	-	-	1	1	-	-
C	DOOR UPPER	1172346	-	-	-	-	1	1	-	-	-	-	1	1
CC	BRACKET COIL	1171651	1	1	1	1	-	-	1	1	1	1	-	-
D	DOOR FITTING	1179702	1	1	1	1	-	-	1	1	1	1	-	-
D	DOOR FITTING	1179703	-	-	-	-	1	1	-	-	-	-	1	1
DD	SHIELD COND PAN	1172328	1	1	1	1	-	-	1	1	1	1	-	-
E	DOOR FILTER	1172043	1	1	-	-	-	-	1	1	-	-	-	-
E	DOOR FILTER	1171934	-	-	1	1	-	-	-	-	1	1	-	-
E	DOOR FILTER	1171935	-	-	-	-	1	1	-	-	-	-	1	1
EE	EXTENSION COIL	1171578	1	1	-	-	-	-	1	1	-	-	-	-
EE	EXTENSION COIL	1171579	-	-	1	1	-	-	-	-	1	1	-	-
F	BARRIER LOW VOLTAGE	1171660	1	1	1	1	1	1	1	1	1	1	1	1
FF	SUPPORT COIL	1171665	2	2	-	-	-	-	2	2	-	-	-	-
FF	SUPPORT COIL	1171666	-	-	2	2	-	-	-	-	2	2	-	-
G	BAFFLE DIFFUSER	1171569	1	1	1	1	1	1	1	1	1	1	1	1
GG	BAFFLE COIL	1171644	1	1	1	1	-	-	1	1	1	1	-	-
H	SPRING FILTER	1172554	1	1	1	1	1	1	1	1	1	1	1	1
HH	SUPPORT COND PAN	1171664	1	1	1	1	-	-	1	1	1	1	-	-
JJ	CHANNEL COND	1171645	1	1	1	1	-	-	1	1	1	1	-	-
K	GROMMET	1172083	1	1	-	-	-	-	1	1	-	-	-	-
K	GROMMET SUCTION	1171622	-	-	1	1	1	1	-	-	1	1	1	1
L	PLUG BUTTON	1173764	-	-	-	-	1	1	-	-	-	-	1	1
LL	FITTING DRAIN	1171636	-	-	-	-	1	1	-	-	-	-	1	1
MM	FITTING DRAIN	1171635	-	-	-	-	1	1	-	-	-	-	1	1
N	BRACKET COIL	1171574	-	-	-	-	2	2	-	-	-	-	2	2
P	BRACKET COIL	1171575	-	-	-	-	2	2	-	-	-	-	2	2
PP	CAP END	1174949	-	-	-	-	1	1	-	-	-	-	1	1
Q	SHIELD COND PAN	1172328	-	-	-	-	2	2	-	-	-	-	2	2
R	AIR SEAL ASY	1171640	-	-	-	-	1	1	-	-	-	-	1	1
RR	CAP END	1174950	-	-	-	-	1	1	-	-	-	-	1	1
S	TROUGH CNDS	1171639	-	-	-	-	1	1	-	-	-	-	1	1
T	TROUGH CNDS	1171637	-	-	-	-	1	1	-	-	-	-	1	1
U	BAFFLE DRIP	1171646	-	-	-	-	2	2	-	-	-	-	2	2
V	RING DRIP	1171649	-	-	-	-	1	1	-	-	-	-	1	1
W	BAND MOTOR MOUNT	1171733	1	1	1	1	1	-	1	1	1	1	1	-
W	BAND MTR MOUNT	1171566	-	-	-	-	-	1	-	-	-	-	-	1
X	HOUSING BLOWER FAN	1177148	1	1	-	-	-	-	1	1	-	-	-	-
X	HOUSING BLOWER FAN	1177067	-	-	1	1	-	-	-	-	1	1	-	-
X	HOUSING BLOWER FAN	1177068	-	-	-	-	1	-	-	-	-	-	1	-
X	HOUSING BLOWER FAN	1177069	-	-	-	-	-	1	-	-	-	-	-	1
Y	ARM & GROM ASSY	1173747	3	3	3	3	-	-	3	3	3	3	-	-
Y	ARM & GROM ASSY	1173746	-	-	-	-	3	-	-	-	-	-	3	-
Y	ARM & GROM ASSY	1173791	-	-	-	-	-	4	-	-	-	-	-	4
Z	SCREW	1170636	3	3	3	3	3	4	3	3	3	3	3	4

PARTS NOT SHOWN

)	PAINT TOUCH-UP	1179019	1	1	1	1	1	1	1	1	1	1	1	1
)	GROMMET LIQUID	1171620	1	1	1	1	1	1	1	1	1	1	1	1
)	GROMMET	1171737	1	1	1	1	1	1	1	1	1	1	1	1
)	PLATE FILLER	1171695	1	1	1	1	1	1	1	1	1	1	1	1
)	GUARD EDGE	1173749	1	1	1	1	1	1	1	1	1	1	1	1

FEM4X Parts List

KEY NO.	DESCRIPTION	PART NO.	FEM4X6000B2	FEM4X6000BT2
01	BLOWER ASSY DD11—9	1179658	1	1
02	TRANSFORMER	1172028	1	1
04	HARNESS ASSY BLOWER	1171676	1	1
05	FILTER HH 21.5X19.875X1	1171653	—	1
06	TXV	1183311	1	1
07	COIL AND HEADER ASY	1183313	1	—
07	COIL & HDR ASSY	1183368	—	1
08	STRAINER	1171740	1	1
09	CONDENSATE PAN	1179674	1	1
10	CONDENSATE PAN ASY	1179676	1	1
11	WHEEL BLOWER	1171742	1	1
12	MTR BLR 1/230 3/4 HP	1179686	1	1
13	HARNESS ASY ECMX FAN COIL	1178976	—	1
14	PANEL CUTOFF BLWR	1171572	1	1
15	LUG GROUND	1170677	1	1
16	DISTRIBUTOR ASY	1171606	1	1
A	PANEL ASSY TOP INSUL	1172362	1	1
AA	PLATE HEATER	1171581	1	1
B	DOOR ASSY LOWER INSUL	1173795	1	1
BB	DECK BLOWER	1171588	1	1
C	DOOR ASSY UPPER INSUL	1173796	1	1
D	DOOR ASSY FITTING INSUL	1179703	1	1
E	DOOR ASSY FILTER	1171935	1	1
F	BARRIER LOW VOLTAGE	1171660	1	1
G	BAFFLE DIFFUSER	1171569	2	2
H	SPRING	1172554	1	1
J	TUBE DRAIN	1172337	1	1
K	GROMMET SUCTION	1171622	1	1
L	PLUG BUTTON	1173764	1	1
LL	FITTING DRAIN	1171636	1	1
M	SUPPORT PAN	1172636	1	1
MM	FITTING DRAIN	1171635	1	1
N	BRACKET COIL	1171574	2	2
P	BRACKET COIL	1171575	2	2
PP	CAP	1174949	1	1
Q	SHIELD COND PAN	1172328	2	2
R	AIR SEAL ASSY	1171641	1	1
RR	CAP	1174950	1	1
S	TROUGH CNDS	1171638	1	1
T	TROUGH CNDS	1171637	1	1
U	BAFFLE DRIP	1171647	1	2
V	RING DRIP	1171649	1	1
W	BAND MTR MOUNT	1171566	1	1
X	HOUSING BLOWER FAN	1177069	1	—
X	HOUSING BLR REPLACEMENT KIT	1183119	—	1
Y	ARM AND GROMMET ASSY	1173791	1	4
Z	SCREW SPECIAL	1170636	4	4
PARTS NOT SHOWN				
)	(HARNESS ASSY UNIT	1178976	1	—
)	(HEX HD 10AB 1/2	1177071	31	—
)	(HEX HD 10AB 5/8	1177072	12	—
)	(GROMMET LIQUID	1171620	1	1
)	(PLATE FILLER	1171695	1	—
)	(FUSE 3A	1179701	—	1
)	(GROMMET	1171737	1	1
)	(PAINT DARK GREY 16OZ AEROSOL	1171357	1	1

International Comfort Products
Lewisburg, Tennessee 37091