

TECHNICAL SUPPORT MANUAL

Fan Coils

FEM4X, WAHM, WAHT

Safety Labeling and Signal Words

DANGER, WARNING, CAUTION, and NOTE

The signal words **DANGER, WARNING, CAUTION,** and **NOTE** are used to identify levels of hazard seriousness. The signal word **DANGER** is only used on product labels to signify an immediate hazard. The signal words **WARNING, CAUTION,** and **NOTE** will be used on product labels and throughout this manual and other manuals that may apply to the product.

DANGER – Immediate hazards which **will** result in severe personal injury or death.

WARNING – Hazards or unsafe practices which **could** result in severe personal injury or death.

CAUTION – Hazards or unsafe practices which **may** result in minor personal injury or product or property damage.

NOTE – Used to highlight suggestions which **will** result in enhanced installation, reliability, or operation.

Signal Words in Manuals

The signal word **WARNING** is used throughout this manual in the following manner:



The signal word **CAUTION** is used throughout this manual in the following manner:



Signal Words on Product Labeling

Signal words are used in combination with colors and/or pictures on product labels.

TABLE OF CONTENTS

Model Number Identification	2 – 3
Wiring Diagram	4
Airflow Charts	5 – 6
Exploded Views	7 – 13
Parts List FEM4X	14
Parts List WAHM	15 – 17
Parts List WAHT	18 – 20

WARNING

ELECTRICAL SHOCK HAZARD

Failure to turn off electric power could result in personal injury or death.

Before installing or servicing system, turn off main power to the system. There may be more than one disconnect switch, including accessory heater(s).

MODELS

FEM4X6000B1
FEM4X6000BT1

WAHM184A2	WAHT184A2
WAHM244A2	WAHT244A2
WAHM304A2	WAHT304A2
WAHM364A2	WAHT364A2
WAHM424A2	WAHT424A2
WAHM484A2	WAHT484A2
WAHM604A2	WAHT604A2

FAN COIL MODEL NUMBER IDENTIFICATION GUIDE									
F = Fan Coil		F	E	M	4	X	1800	A	1
S = Standard PSC		MOTOR TYPE							
E = High Efficiency ECM					INSTALLATION TYPE				
U = Upflow									
M = Multiposition					REFRIGERANT				
4 = Environmentally Sound R-410A									
X = TXV					METERING DEVICE				
1800 = 18,000 BTUH = 1-1/2 tons									
2400 = 24,000 BTUH = 2 tons									
3000 = 30,000 BTUH = 2-1/2 tons									
3500 & 3600 = 36,000 BTUH = 3 tons									
4200 = 42,000 BTUH = 3-1/2 tons									
4800 = 48,000 BTUH = 4 tons									
6000 = 60,000 BTUH = 5 tons					NOMINAL CAPACITY				
Sales Code									
Engineering Revision									

FAN COIL MODEL NUMBER IDENTIFICATION GUIDE								
Digit Position:	1, 2	3	4	5, 6	7	8	9	
Example Part Number:	WA	H	M	24	4	A	1	
WA = Air Handler		MOTOR TYPE						
S = Standard Motor								
H = High Efficiency Motor								
M = Multiposition Plain Copper Evaporator Coil		INSTALLATION TYPE						
T = Multiposition Tin-coated Copper Evaporator Coil								
18 = 18,000 BTU/hr = 1-1/2 TONS								
24 = 24,000 BTU/hr = 2 TONS								
30 = 30,000 BTU/hr = 2-1/2 TONS								
36 = 36,000 BTU/hr = 3 TONS								
42 = 42,000 BTU/hr = 3-1/2 TONS								
48 = 48,000 BTU/hr = 4 TONS								
60 = 60,000 BTU/hr = 5 TONS		NOMINAL COOLING CAPACITY						
4 = R-410A					REFRIGERANT			
SALES DIGIT								
EXTRA DIGIT								

ACCESSORIES PART NUMBER IDENTIFICATION GUIDE					
	EB	AC	01	NCB	A
EB = Evaporator Blower					
AC = Accessory					
01 = Product Identifier Number					
NCB = Non-Combustible Base Kit					
DFK = Down Flow Kit					
PLG = Power Plug (no heat kit)					
SPK = Single Point Wiring Kit					
FKS = Filter Kit Small					
FKM = Filter Kit Medium					
FKL = Filter Kit Large					
FKX = Filter Kit Extra Large					
CTK = Condensate Trap Kit (PVC pipe)					
Sales Code					

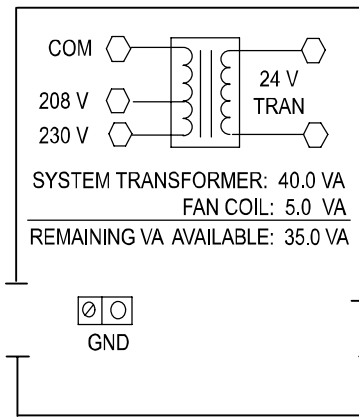
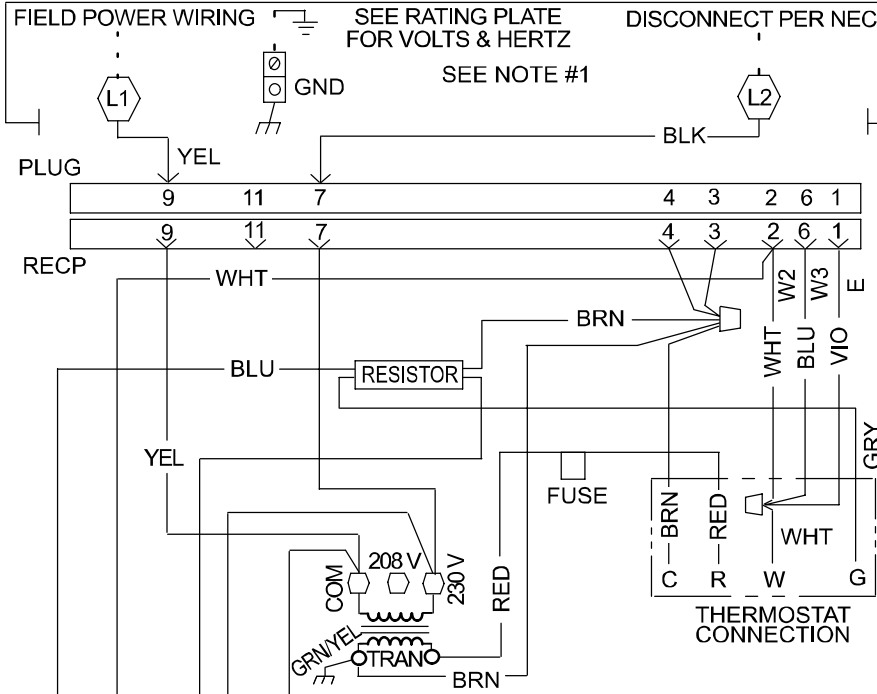
ELECTRIC HEATER MODEL NUMBER IDENTIFICATION GUIDE						
	EHK	05	A	K	N	1
EHK = Electric Heater Kit						
05 = 5 kW						
07 = 7 kW						
09 = 9 kW						
10 = 10 kW						
15 = 15 kW						
18 = 18 kW						
20 = 20 kW						
25 = 25 kW						
30 = 30 kW						
NOMINAL HEAT VALUE						
Sales Code						
K = 208 / 230 single-phase						
H = 208 / 230, 3-phase						
KC = 208 / 230, supplied as single phase, field convertible to 3-phase						
HC = 208 / 230 supplied as 3-phase, field convertible to single phase						
VOLTAGE (60 Hz)						
Product Identifier						
Engineering Code						

THIS COMPARTMENT MUST BE CLOSED EXCEPT FOR SERVICING

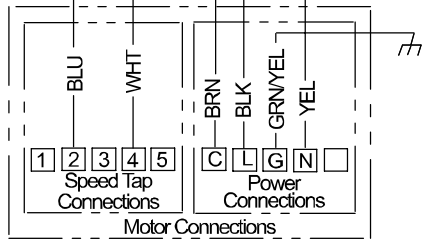
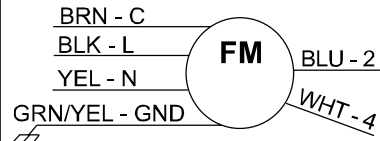
BLOWER MOTOR ROTATION

COOLING CONTROL ONLY

COMPONENT ARRANGEMENT



SYSTEM TRANSFORMER: 40.0 VA
FAN COIL: 5.0 VA
REMAINING VA AVAILABLE: 35.0 VA



SPEED TAP SELECTION

1	LOW
2	MEDIUM
3	HIGH
4	ELEC HEAT
5	SEE NOTE 7

SEE NOTE #6

LEGEND

- C COMMON
- F LOW VOLTAGE FUSE
- FM FAN MOTOR
- GND EQUIPMENT GROUND
- RECP RECEPTACLE
- SPT FAN SPEED TAP LOCATION
- TRAN TRANSFORMER
- UNMARKED TERMINAL
- - - FIELD POWER WIRING
- ◻ MARKED TERMINAL
- PLUG AND RECEPTACLE

NOTES

1. Use Copper Wire (75°C Min) Only Between Disconnect Switch And Unit.
2. To Be Wired In Accordance With NEC And Local Codes.
3. If Any Of The Original Wire, As Supplied, Must Be Replaced. Use The Same Or Equivalent Type Wire.
4. Replace Low Voltage Fuse With No Greater Than 5 Amp Fuse.
5. Connect R To R, G To G, Etc. See Outdoor Instruction For Details.
6. To change speed tap, move blue wire to desired terminal.
7. See airflow tables for tap usage.

336228-101 REV. A

AIRFLOW PERFORMANCE – CFM at a given Speed and Static reading							
Model WAHM, WAHT	Blower Speed	Measured Static Pressure, inlet to outlet (inches water column)					
		0.10	0.20	0.30	0.40	0.50	0.60
WAHM4A18* WAHT184A*	High	766	739	706	666	619	566
	Medium	701	659	619	578	538	499
	Low	614	572	530	486	441	396
WAHM244A* WAHT244A*	High	941	905	868	830	792	753
	Medium	823	786	747	707	665	622
	Low	633	583	533	482	431	378
WAHM304A* WAHT304A*	High	1130	1097	1063	1028	992	955
	Medium	1033	1000	965	928	888	846
	Low	840	802	760	713	663	609
WAHM364A* WAHT364A*	High	1437	1398	1354	1308	1257	1204
	Medium	1282	1238	1192	1142	1090	1036
	Low	1168	1118	1067	1014	959	903
WAHM424A* WAHT424A*	High	1616	1578	1533	1480	1420	1353
	Medium	1479	1437	1392	1344	1293	1240
	Low	1303	1258	1211	1161	1108	1054
WAHM484A* WAHT484A*	High	1805	1772	1739	1704	1669	1632
	Medium	1652	1617	1581	1543	1504	1463
	Low	1458	1418	1377	1335	1292	1248
WAHM604A* WAHT604A*	High	2057	2024	1989	1954	1916	1878
	Medium	1799	1766	1731	1695	1658	1618
	Low	1667	1633	1596	1558	1517	1475

NOTES:

1. Airflow based on dry coil at 230V with factory approved filter and electric heater
(2 element heater for model sizes 1800 – 3600, 3 element heater for model sizes 4200 – 6000)
2. Not recommended for use above 0.60 inches water column external static pressure.
3. Shaded cells indicate airflow is greater than 450 CFM per ton.

AIRFLOW PERFORMANCE – CFM at a given Speed and Static reading							
Model	Blower Speed	Measured Static Pressure, inlet to outlet (inches water column)					
		0.10	0.20	0.30	0.40	0.50	0.60
FEM4X6000B	Tap 5	1897	1867	1836	1808	1774	1736
	Tap 4	1817	1785	1757	1724	1693	1655
	Tap 3	1817	1785	1757	1724	1693	1655
	Tap 2	1657	1621	1589	1557	1518	1474
	Tap 1	1443	1412	1377	1332	1286	1243

STATIC PRESSURE CORRECTION FROM DRY TO WET COIL (inches of water column)

Airflow performance chart above was developed using fan coils with DRY coils. When taking a static reading across a WET coil, adjust the static pressure numbers above by **adding** the values in this table (for a given CFM, wet coil will have greater static pressure drop than dry coil).

Model WAHM, WAHT	CFM															
	500	600	700	800	900	1000	1100	1200	1300	1400	1500	1600	1700	1800	1900	2000
WAHM184A* WAHT184A*	.034	.049	.063	-	-	-	-	-	-	-	-	-	-	-	-	-
WAHM244A* WAHT244A*	.016	.027	.038	.049	.059	-	-	-	-	-	-	-	-	-	-	-
WAHM304A* WAHT304A*	-	-	-	.049	.059	.070	.080	-	-	-	-	-	-	-	-	-
WAHM364A* WAHT364A*	-	-	-	-	-	.055	.064	.073	.081	-	-	-	-	-	-	-
WAHM424A* WAHT424A*	-	-	-	-	-	-	-	.049	.056	.063	.070	-	-	-	-	-
WAHM484A* WAHT484A*	-	-	-	-	-	-	-	-	-	.038	.043	.049	.054	.059	-	-
WAHM604A* WAHT604A*	-	-	-	-	-	-	-	-	-	-	-	.027	.031	.035	.039	.043

STATIC PRESSURE CORRECTION FROM DRY TO WET COIL (inches of water column)

Airflow performance chart on page 7 was developed using fan coils with DRY coils. When taking a static reading across a WET coil, adjust the static pressure numbers on pages 7-8 by **adding** the values in this table (for a given CFM, wet coil will have greater static pressure drop than dry coil).

Model Size	CFM															
	500	600	700	800	900	1000	1100	1200	1300	1400	1500	1600	1700	1800	1900	2000
FEM4X6000B	-	-	-	-	-	-	-	-	-	-	-	.049	.054	.059	.065	.070

STATIC PRESSURE DROP ACROSS FILTER (inches of water column)

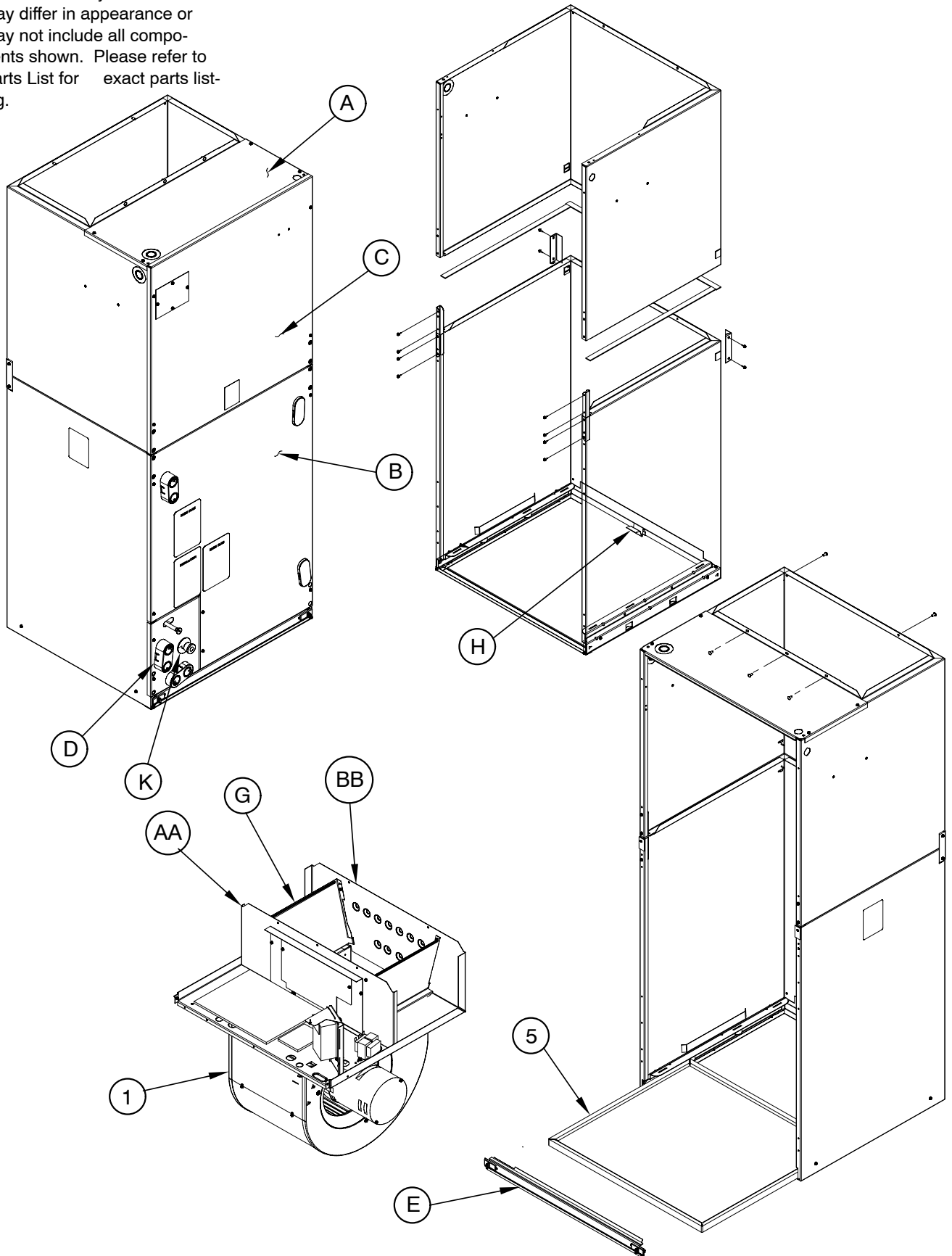
Model WAHM, WAHT	CFM									
	400	600	800	1000	1200	1400	1600	1800	2000	
WAHM184A* WAHT184A*	.020	.044	.075	-	-	-	-	-	-	-
WAHM244A* WAHT244A*	-	.044	.075	.110	-	-	-	-	-	-
WAHM304A* WAHT304A*	-	-	.048	.072	.100	-	-	-	-	-
WAHM364A* WAHT364A*	-	-	-	.072	.100	.130	-	-	-	-
WAHM424A* WAHT424A*	-	-	-	-	.070	.092	.120	-	-	-
WAHM484A* WAHT484A*	-	-	-	-	-	.092	.120	.152	-	-
WAHM604A* WAHT604A*	-	-	-	-	-	-	.120	.152	.187	-

STATIC PRESSURE DROP ACROSS FILTER (inches of water column)

Model Size	CFM									
	400	600	800	1000	1200	1400	1600	1800	2000	
FEM4X6000B	-	-	-	-	-	-	.086	.105	.130	

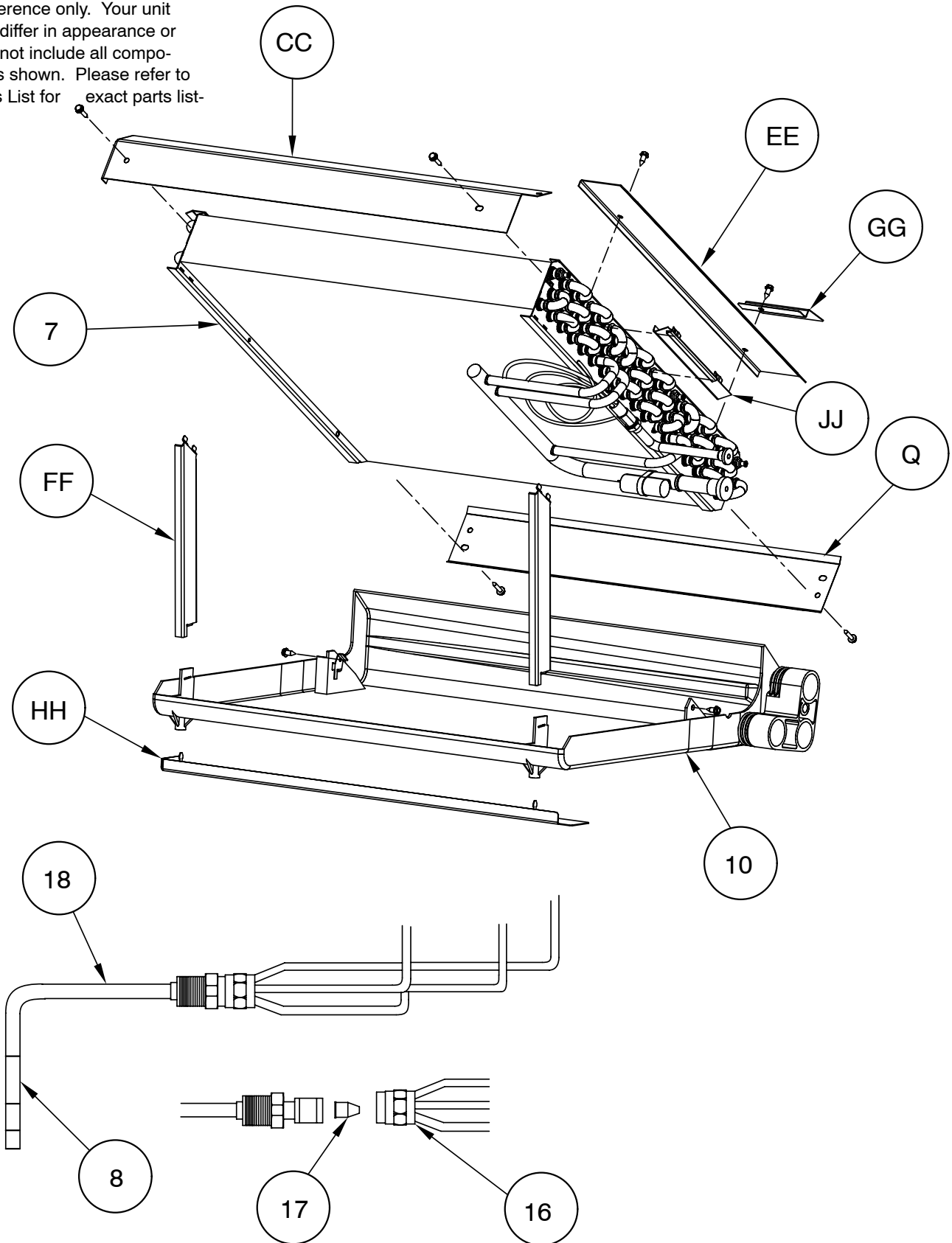
FEM4X

NOTE: This illustration is for reference only. Your unit may differ in appearance or may not include all components shown. Please refer to Parts List for exact parts listing.



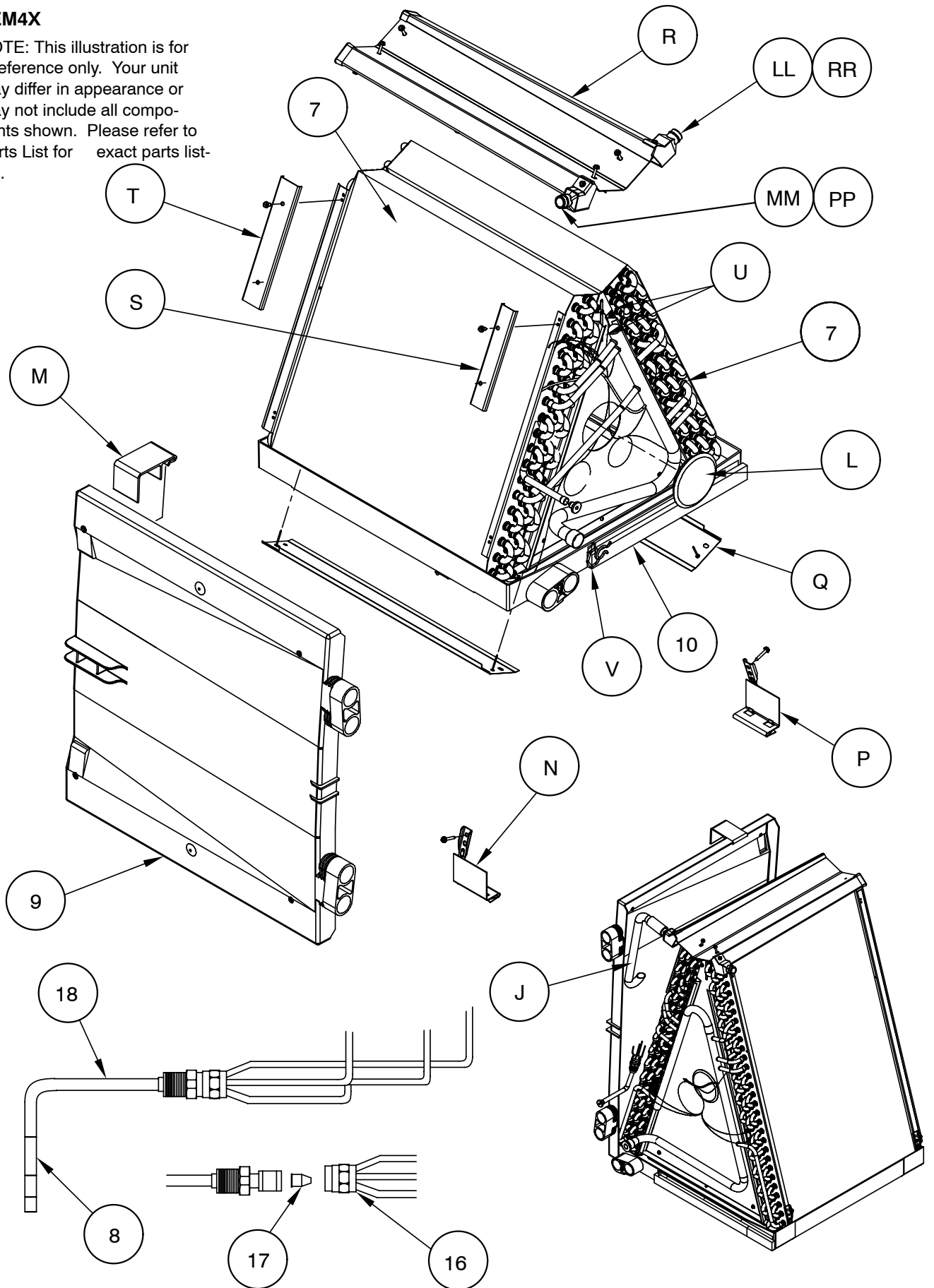
FEM4X

NOTE: This illustration is for reference only. Your unit may differ in appearance or may not include all components shown. Please refer to Parts List for exact parts listing.



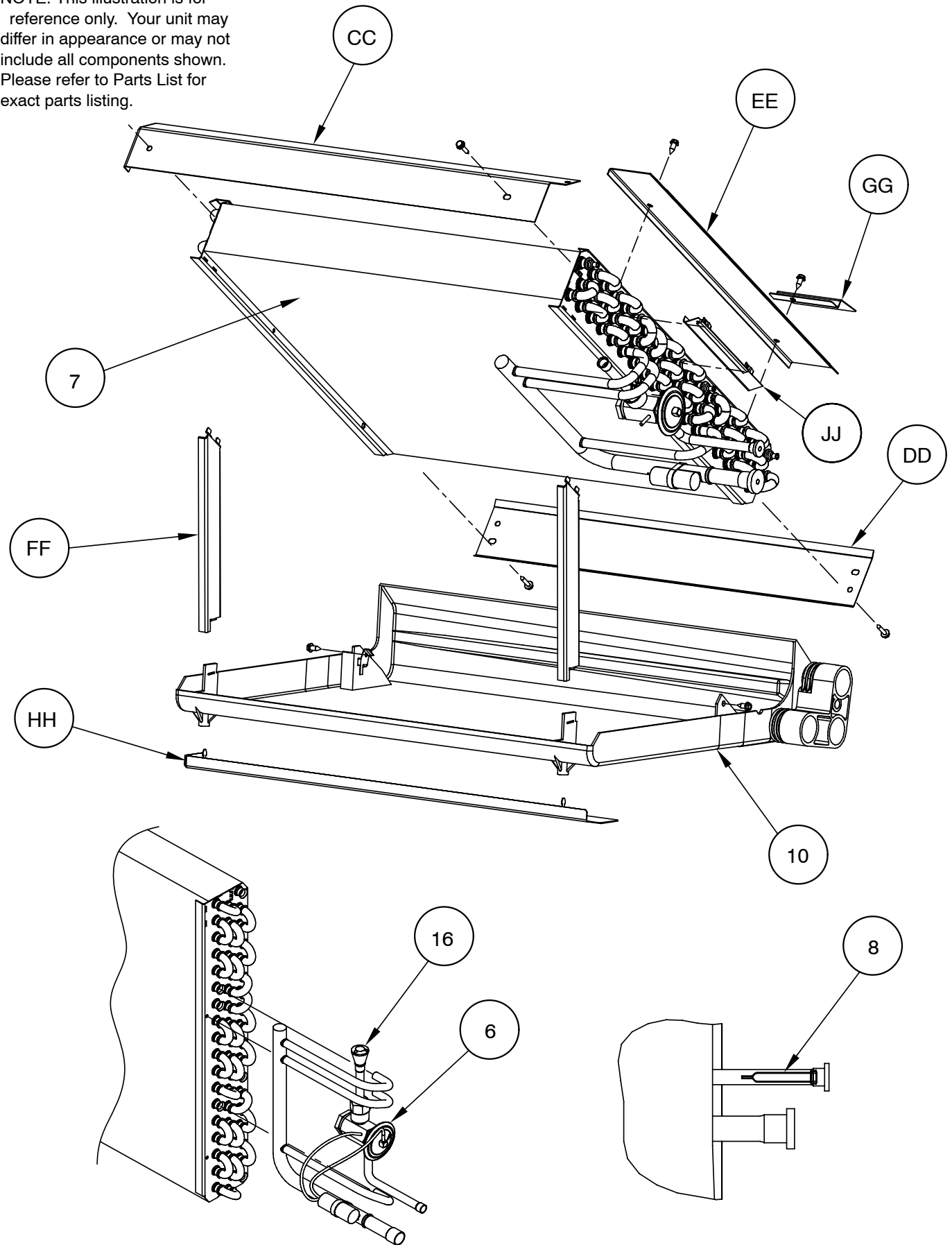
FEM4X

NOTE: This illustration is for reference only. Your unit may differ in appearance or may not include all components shown. Please refer to Parts List for exact parts listing.



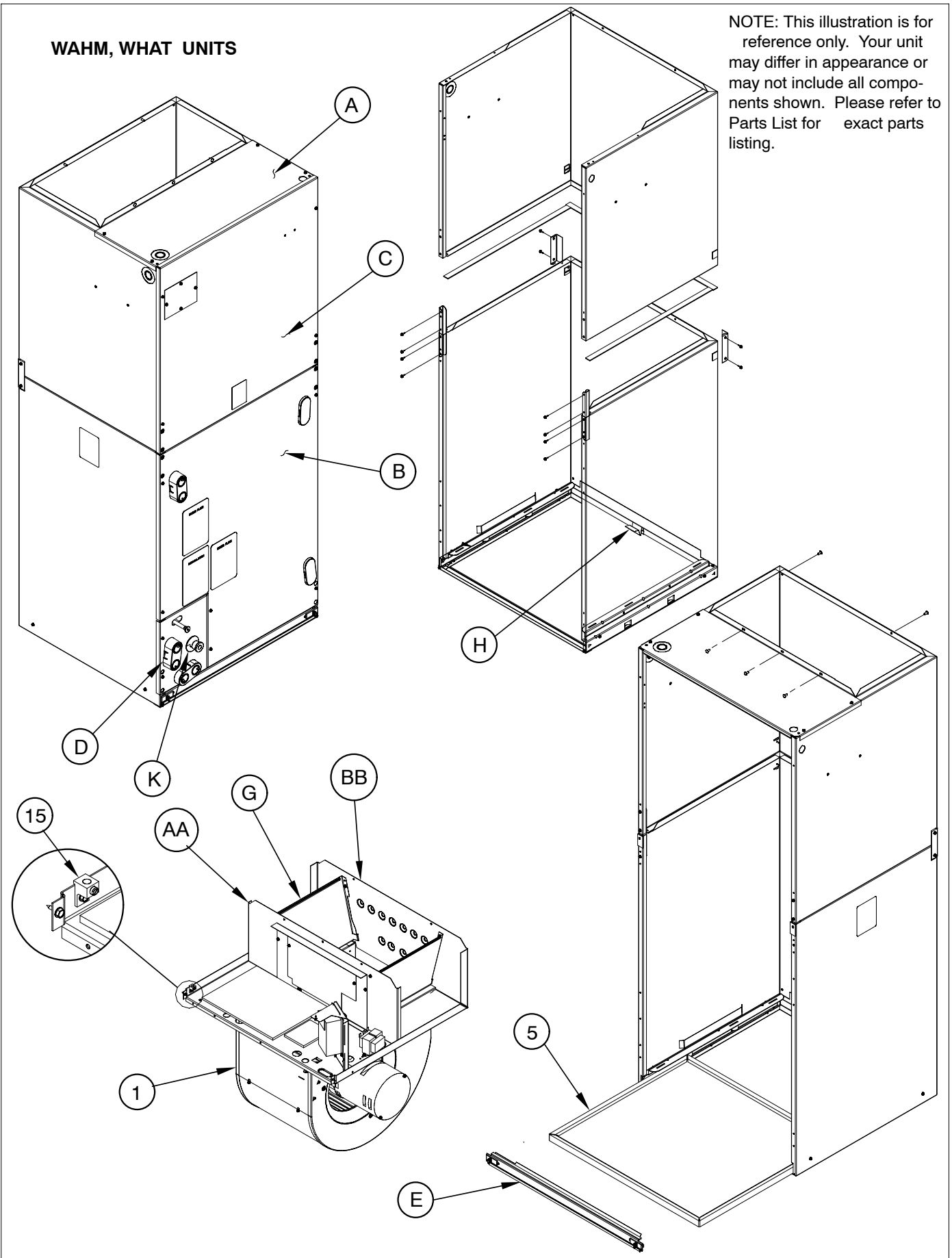
WAHM, WHAT UNITS

NOTE: This illustration is for reference only. Your unit may differ in appearance or may not include all components shown. Please refer to Parts List for exact parts listing.



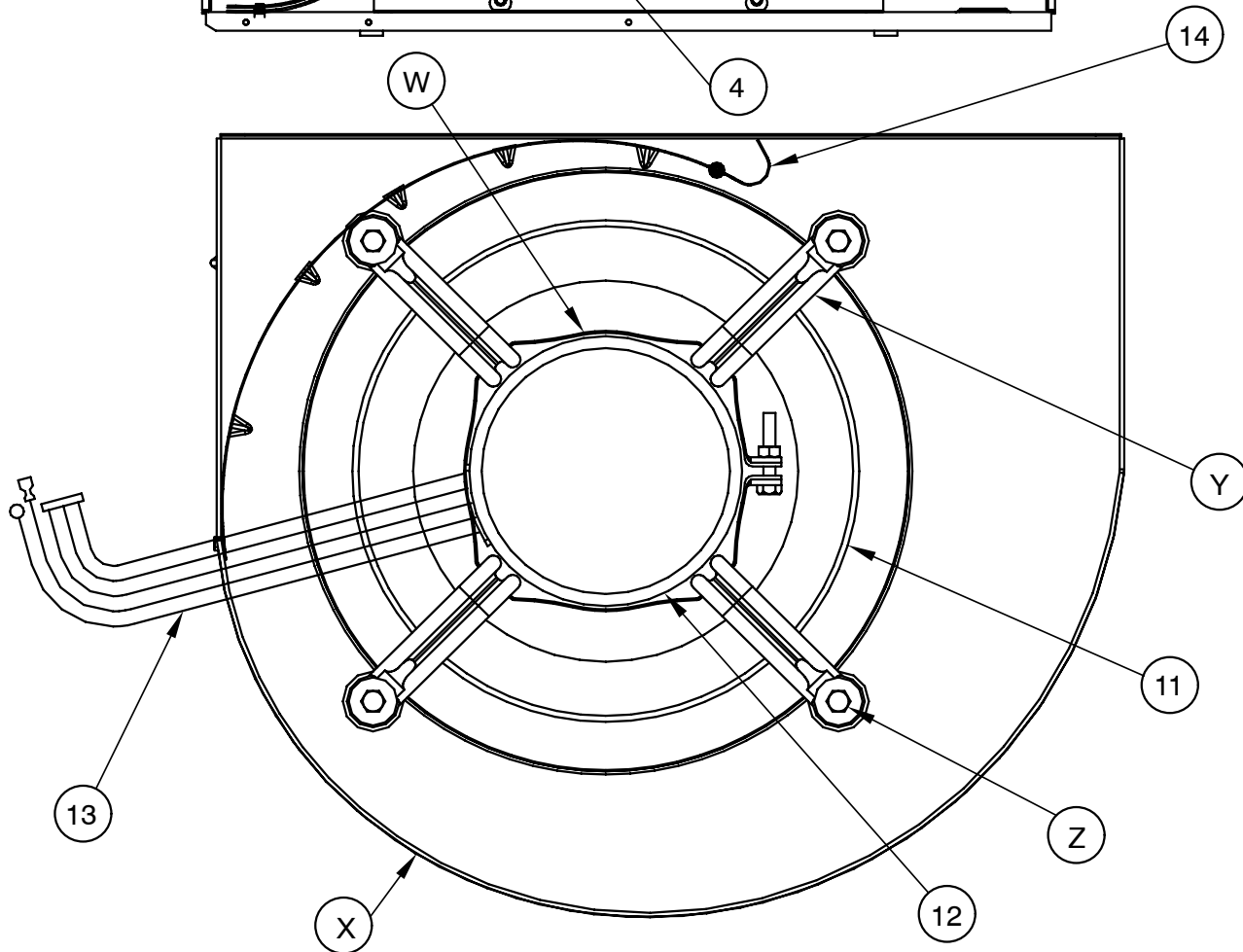
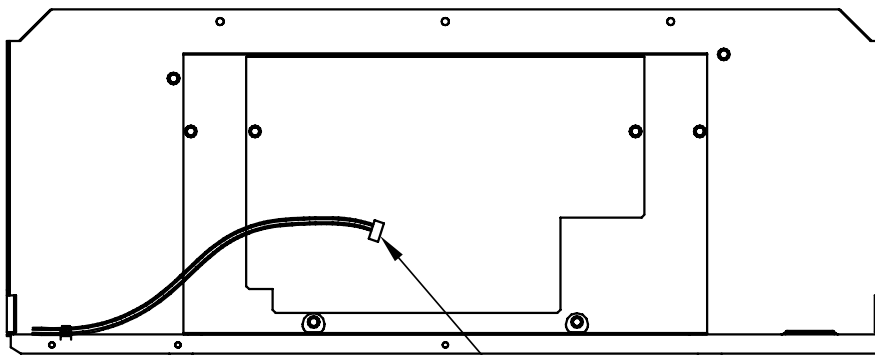
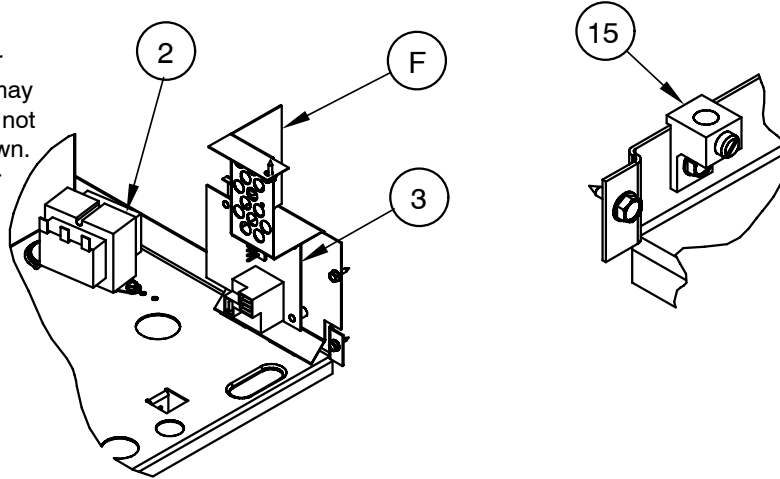
WAHM, WHAT UNITS

NOTE: This illustration is for reference only. Your unit may differ in appearance or may not include all components shown. Please refer to Parts List for exact parts listing.



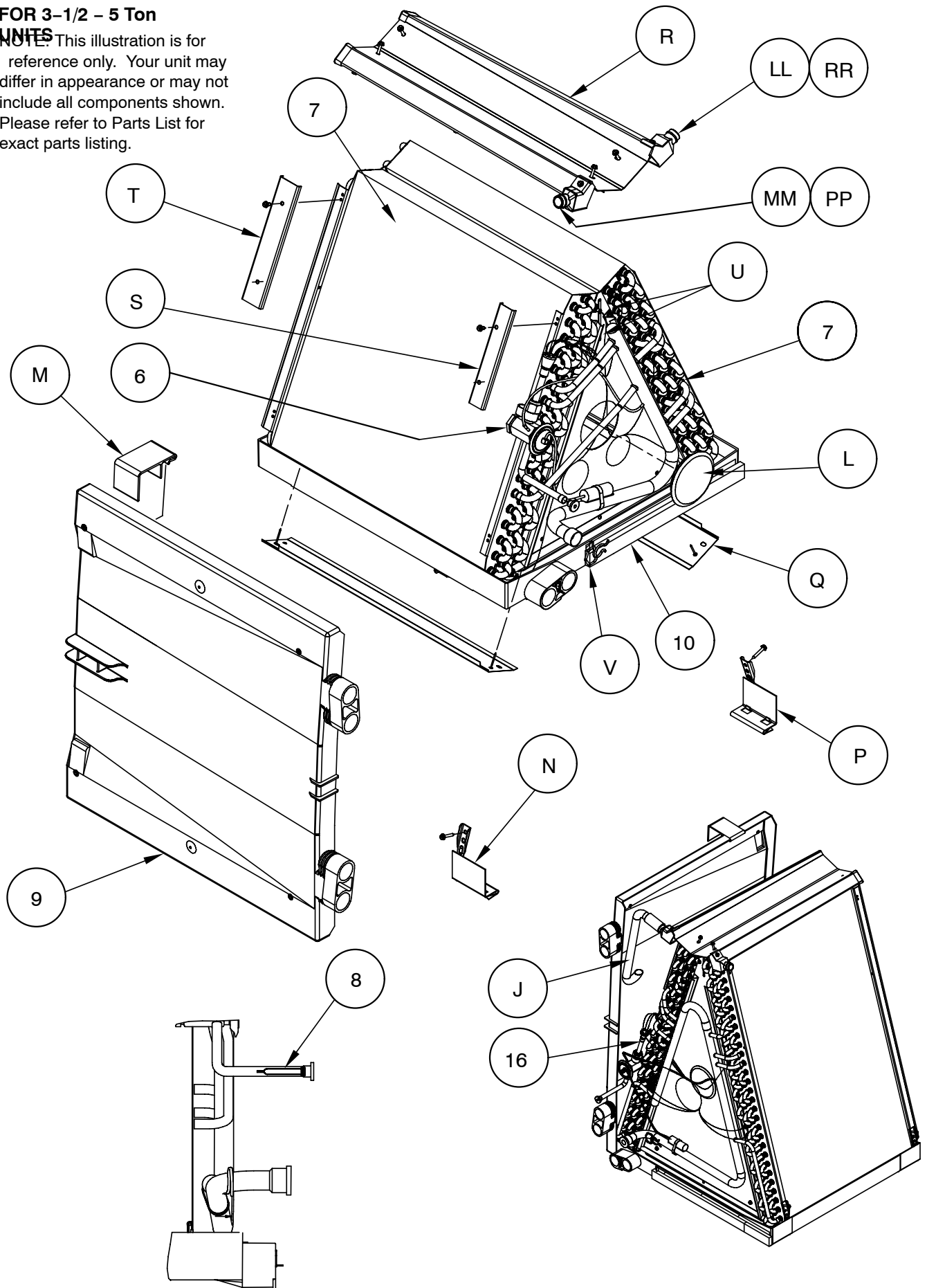
FOR ALL UNITS

NOTE: This illustration is for reference only. Your unit may differ in appearance or may not include all components shown. Please refer to Parts List for exact parts listing.



FOR 3-1/2 - 5 Ton

NOTES This illustration is for reference only. Your unit may differ in appearance or may not include all components shown. Please refer to Parts List for exact parts listing.



FEM4X Parts List

KEY NO.	DESCRIPTION	PART NO.	FEM4X6000B1	FEM4X6000BT1
01	BLOWER ASSY DD11-9	1179658	1	1
02	TRANSFORMER	1172028	1	1
04	HARNES ASSY BLOWER	1171676	1	1
05	FILTER HH 21.5X19.875X1	1171653	-	1
06	TXV	1183311	1	1
07	COIL AND HEADER ASY	1183313	1	-
07	COIL & HDR ASSY	1183368	-	1
08	STRAINER	1171740	1	1
09	CONDENSATE PAN	1179674	1	1
10	CONDENSATE PAN ASY	1179676	1	1
11	WHEEL BLOWER	1171742	1	1
12	MTR BLR 1/230 3/4 HP	1179686	1	1
13	HARNES ASSY ECMX FAN COIL	1178976	-	1
14	PANEL CUTOFF BLWR	1171572	1	1
15	LUG GROUND	1170677	1	1
16	DISTRIBUTOR ASY	1171606	1	1
A	PANEL ASSY TOP INSUL	1172362	1	1
AA	PLATE HEATER	1171581	1	1
B	DOOR ASSY LOWER INSUL	1173795	1	1
BB	DECK BLOWER	1171588	1	1
C	DOOR ASSY UPPER INSUL	1173796	1	1
D	DOOR ASSY FITTING INSUL	1179703	1	1
E	DOOR ASSY FILTER	1171935	1	1
F	BARRIER LOW VOLTAGE	1171660	1	1
G	BAFFLE DIFFUSER	1171569	2	2
H	SPRING	1172554	1	1
J	TUBE DRAIN	1172337	1	1
K	GROMMET SUCTION	1171622	1	1
L	PLUG BUTTON	1173764	1	1
LL	FITTING DRAIN	1171636	1	1
M	SUPPORT PAN	1172636	1	1
MM	FITTING DRAIN	1171635	1	1
N	BRACKET COIL	1171574	2	2
P	BRACKET COIL	1171575	2	2
PP	CAP	1174949	1	1
Q	SHIELD COND PAN	1172328	2	2
R	AIR SEAL ASSY	1171641	1	1
RR	CAP	1174950	1	1
S	TROUGH CNDS	1171638	1	1
T	TROUGH CNDS	1171637	1	1
U	BAFFLE DRIP	1171647	1	2
V	RING DRIP	1171649	1	1
W	BAND MTR MOUNT	1171566	1	1
X	HOUSING BLOWER FAN	1177069	1	-
X	HOUSING BLR REPLACEMENT KIT	1183119	-	1
Y	ARM AND GROMMET ASSY	1173791	1	4
Z	SCREW SPECIAL	1170636	4	4
Parts Not Shown				
)	HARNES ASSY UNIT	1178976	1	-
)	HEX HD 10AB 1/2	1177071	31	-
)	HEX HD 10AB 5/8	1177072	12	-
)	GROMMET LIQUID	1171620	1	1
)	PLATE FILLER	1171695	1	-
)	FUSE 3A	1179701	-	1
)	GROMMET	1171737	1	1
)	PAINT DARK GREY 16OZ AEROSOL	1171357	1	1

WAHM Parts List									
KEY NO.	DESCRIPTION	PART NO.	WAHM184A2	WAHM244A2	WAHM304A2	WAHM364A2	WAHM424A2	WAHM484A2	WAHM604A2
01	BLOWER ASSY	1178969	1	-	-	-	-	-	-
01	BLOWER ASSY	1178970	-	1	-	-	-	-	-
01	BLOWER ASSY	1178971	-	-	1	-	-	-	-
01	BLOWER ASSY	1178972	-	-	-	1	-	-	-
01	BLOWER ASSY	1178973	-	-	-	-	1	-	-
01	BLOWER ASSY	1178974	-	-	-	-	-	1	-
01	BLOWER ASSY	1178975	-	-	-	-	-	-	1
02	TRANSFORMER	1172028	1	1	1	1	1	1	1
04	HARNESS ASSY BLOWER	1171676	1	1	1	1	1	1	1
05	FILTER LO EFF	1172070	1	-	-	-	-	-	-
05	FILTER LO EFF	1171652	-	1	1	-	-	-	-
05	FILTER LO EFF	1171653	-	-	-	1	1	1	-
05	FILTER LO EFF	1171654	-	-	-	-	-	-	1
06	TXV	1172348	1	1	-	-	-	-	-
06	TXV	1178991	-	-	1	-	-	-	-
06	TXV	1172349	-	-	-	1	-	-	-
06	TXV	1178990	-	-	-	-	1	-	-
06	TXV	1172350	-	-	-	-	-	1	1
07	COIL AND HEADER ASY	1173765	1	-	-	-	-	-	-
07	COIL AND HEADER ASY	1178984	-	1	-	-	-	-	-
07	COIL AND HEADER ASY	1173766	-	-	1	-	-	-	-
07	COIL AND HEADER ASY	1172887	-	-	-	1	-	-	-
07	COIL AND HEADER ASY	1173768	-	-	-	-	1	-	-
07	COIL AND HEADER ASY	1172333	-	-	-	-	-	1	-
07	COIL AND HEADER ASY	1178985	-	-	-	-	-	-	1
08	STRAINER	1171740	1	1	1	1	1	1	1
09	CONDENSATE PAN	1171673	-	-	-	-	1	-	-
09	CONDENSATE PAN	1171674	-	-	-	-	-	1	-
09	CONDENSATE PAN	1171675	-	-	-	-	-	-	1
10	CONDENSATE PAN ASY	1175206	1	-	-	-	-	-	-
10	CONDENSATE PAN ASY	1175207	-	1	1	-	-	-	-
10	CONDENSATE PAN ASY	1178986	-	-	-	1	-	-	-
10	CONDENSATE PAN ASY	1178987	-	-	-	-	1	1	-
10	CONDENSATE PAN ASY	1178988	-	-	-	-	-	-	1
11	WHEEL BLOWER	1171743	1	-	-	-	-	-	-
11	WHEEL BLOWER	1171744	-	1	-	-	-	-	-
11	WHEEL BLOWER	1171745	-	-	1	-	-	-	-
11	WHEEL BLOWER	1171741	-	-	-	1	1	-	-
11	WHEEL BLOWER	1171742	-	-	-	-	-	1	1
12	MOTOR BLOWER	1178977	1	-	-	-	-	-	-
12	MOTOR BLOWER	1178978	-	1	-	-	-	-	-
12	MOTOR BLOWER	1178979	-	-	1	-	-	-	-
12	MOTOR BLOWER	1178980	-	-	-	1	-	-	-
12	MOTOR BLOWER	1178981	-	-	-	-	1	-	-
12	MOTOR BLOWER	1178982	-	-	-	-	-	1	-
12	MOTOR BLOWER	1178983	-	-	-	-	-	-	1
13	HARNESS ASSY BLOWER ECMX	1175754	1	1	1	1	1	1	1
14	CUTOFF	1171570	1	-	-	-	-	-	-
14	CUTOFF	1171571	-	1	-	-	-	-	-
14	CUTOFF	1171567	-	-	1	-	-	-	-

WAHM Parts List

KEY NO.	DESCRIPTION	PART NO.	WAHM184A2	WAHM244A2	WAHM304A2	WAHM364A2	WAHM424A2	WAHM484A2	WAHM604A2
14	CUTOFF	1171568				1	1		
14	CUTOFF	1171572						1	1
15	LUG GROUND	1170677	1	1	1	1	1	1	1
16	DISTRIBUTOR ASY	1172624	1						
16	DISTRIBUTOR ASY	1171603		1	1				
16	DISTRIBUTOR ASY	1172888				1			
16	DISTRIBUTOR ASY	1172983					1		
16	DISTRIBUTOR ASY	1171606						1	
16	DISTRIBUTOR ASY	1171605							1
A	PANEL ASSY TOP INSUL	1177144	1						
A	PANEL ASSY TOP INSUL	1177050		1	-	-	-	-	-
A	PANEL ASSY TOP INSUL	1177047		-	1	-	-	-	-
A	PANEL ASSY TOP INSUL	1177048		-	-	1	-	1	-
A	PANEL ASSY TOP INSUL	1177051		-	-	-	1	-	-
A	PANEL ASSY TOP INSUL	1177049		-	-	-	-	-	1
AA	PLATE HEATER	1171583	1						
AA	PLATE HEATER	1171584		1	1	-	-	-	-
AA	PLATE HEATER	1171581		-	-	1	1	1	-
AA	PLATE HEATER	1171582		-	-	-	-	-	1
B	DOOR ASSY LOWER INSUL	1177145	1						
B	DOOR ASSY LOWER INSUL	1177054		1	-	-	-	-	-
B	DOOR ASSY LOWER INSUL	1177057		-	1	-	-	-	-
B	DOOR ASSY LOWER INSUL	1177055		-	-	1	-	-	-
B	DOOR ASSY LOWER INSUL	1177056		-	-	-	1	-	-
B	DOOR ASSY LOWER INSUL	1177052		-	-	-	-	1	-
B	DOOR ASSY LOWER INSUL	1177053		-	-	-	-	-	1
BB	DECK BLOWER	1171585	1						
BB	DECK BLOWER	1171586		1	-	-	-	-	-
BB	DECK BLOWER	1171587		-	1	-	-	-	-
BB	DECK BLOWER	1171588		-	-	1	1	1	-
BB	DECK BLOWER	1171589		-	-	-	-	-	1
C	DOOR ASSY UPPER INSUL	1177146	1						
C	DOOR ASSY UPPER INSUL	1177073		1	-	-	-	-	-
C	DOOR ASSY UPPER INSUL	1177058		-	1	-	-	-	-
C	DOOR ASSY UPPER INSUL	1177059		-	-	1	-	1	-
C	DOOR ASSY UPPER INSUL	1177061		-	-	-	1	-	-
C	DOOR ASSY UPPER INSUL	1177060		-	-	-	-	-	1
CC	BRACKET COIL	1171651	1	1	1	-	-	-	-
CC	BRACKET COIL	1171650		-	-	1	-	-	-
D	DOOR ASSY FITTING INSUL	1177075	1	1	1	1	1	-	-
D	DOOR ASSY FITTING INSUL	1178989						1	1
DD	SHIELD COND PAN	1172328	1	1	1	1	-	-	-
E	DOOR ASSY FILTER	1177147	1						
E	DOOR ASSY FILTER	1177063		1	1	-	-	-	-
E	DOOR ASSY FILTER	1177064		-	-	1	1	1	-
E	DOOR ASSY FILTER	1177065		-	-	-	-	-	1
EE	EXTENSION COIL	1171578	1						
EE	EXTENSION COIL	1171579		1	1	-	-	-	-
EE	EXTENSION COIL	1171580		-	-	1	-	-	-
F	BARRIER LOW VOLTAGE	1171660	1	1	1	1	1	1	1

WAHM Parts List									
KEY NO.	DESCRIPTION	PART NO.	WAHM184A2	WAHM244A2	WAHM304A2	WAHM364A2	WAHM424A2	WAHM484A2	WAHM604A2
FF	SUPPORT COIL	1171665	1						
FF	SUPPORT COIL	1171666		1	1		-	-	-
FF	SUPPORT COIL	1171667		-	-	1	-	-	-
G	BAFFLE DIFFUSER	1171569	1	1	1	1	1	1	1
GG	BAFFLE COIL	1171644	1	1	1	1	-	-	-
H	SPRING	1172554	1	1	1	1	1	1	1
HH	SUPPORT COND PAN	1171664	1	1	1	1	-	-	-
J	TUBE DRAIN	1172337					1	1	1
JJ	CHANNEL COND	1171645	1	1	1	1			
K	GROMMET SUCTION	1172083	1	1	-	-	-	-	-
K	GROMMET SUCTION	1171622		-	1	1	1	1	-
K	GROMMET SUCTION	1173772							1
L	PLUG BUTTON	1173764		-	-	-	1	1	1
LL	FITTING DRAIN	1171636					1	1	1
M	SUPPORT PAN	1172636						1	1
MM	FITTING DRAIN	1171635					1	1	1
N	BRACKET COIL	1171574		-	-	-	1	1	1
P	BRACKET COIL	1171575		-	-	-	1	1	1
PP	CAP	1174949					1	1	1
Q	SHIELD COND PAN	1172328		-	-	-	2	2	2
R	AIR SEAL ASSY	1171640		-	-	-	1	-	-
R	AIR SEAL ASSY	1171641		-	-	-	-	1	1
RR	CAP	1174950					1	1	1
S	TROUGH CNDS	1171639		-	-	-	1	-	-
S	TROUGH CNDS	1171638		-	-	-	-	1	1
T	TROUGH CNDS	1171637		-	-	-	1	1	1
U	BAFFLE DRIP	1171646		-	-	-	1	-	-
U	BAFFLE DRIP	1171647		-	-	-	-	1	-
U	BAFFLE DRIP	1171648		-	-	-	-	-	1
V	RING DRIP	1171649		-	-	-	1	1	-
V	RING DRIP	1172329		-	-	-	-	-	1
W	BAND MTR MOUNT	1171733	1	1	1	1	1	-	-
W	BAND MTR MOUNT	1171566		-	-	-	-	1	1
X	HOUSING BLOWER FAN	1177148	1						
X	HOUSING BLOWER FAN	1177066		1	-	-	-	-	-
X	HOUSING BLOWER FAN	1177067		-	1	-	-	-	-
X	HOUSING BLOWER FAN	1177068		-	-	1	1	-	-
X	HOUSING BLOWER FAN	1177069		-	-	-	-	1	1
Y	ARM AND GROMMET ASSY	1173747	1	1	1	-	-	-	-
Y	ARM AND GROMMET ASSY	1173746		-	-	1	1	-	-
Y	ARM AND GROMMET ASSY	1173791		-	-	-	-	1	1
Z	SCREW SPECIAL	1170636	3	3	3	3	3	4	4
Parts Not Shown									
(X)	HEX HD 10AB 1/2	1177071	31	31	31	31	31	31	31
(X)	HARNESS ASSY UNIT	1178976	1	1	1	1	1	1	1
(X)	HEX HD 10AB 5/8	1177072	12	12	12	12	12	12	12
(X)	PAINT TOUCH-UP TAUPE METALLIC	1179019	1	1	1	1	1	1	1
(X)	GROMMET LIQUID	1171620	1	1	1	1	1	1	1
(X)	GROMMET	1171737	1	1	1	1	1	1	1

WAHT Parts List

KEY NO.	DESCRIPTION	PART NO.	WAHT184A2	WAHT244A2	WAHT304A2	WAHT364A2	WAHT424A2	WAHT484A2	WAHT604A2
01	BLOWER ASSY	1178969	1	-	-	-	-	-	-
01	BLOWER ASSY	1178970	-	1	-	-	-	-	-
01	BLOWER ASSY	1178971	-	-	1	-	-	-	-
01	BLOWER ASSY	1178972	-	-	-	1	-	-	-
01	BLOWER ASSY	1178973	-	-	-	-	1	-	-
01	BLOWER ASSY	1178974	-	-	-	-	-	1	-
01	BLOWER ASSY	1178975	-	-	-	-	-	-	1
02	TRANSFORMER	1172028	1	1	1	1	1	1	1
04	HARNES ASSY BLOWER	1171676	1	1	1	1	1	1	1
05	FILTER LO EFF	1172070	1	-	-	-	-	-	-
05	FILTER LO EFF	1171652	-	1	1	-	-	-	-
05	FILTER LO EFF	1171653	-	-	-	1	1	1	-
05	FILTER LO EFF	1171654	-	-	-	-	-	-	1
06	TXV	1172348	1	1	-	-	-	-	-
06	TXV	1178991	-	-	1	-	-	-	-
06	TXV	1172349	-	-	-	1	-	-	-
06	TXV	1178990	-	-	-	-	1	-	-
06	TXV	1172350	-	-	-	-	-	1	1
07	COIL AND HEADER ASY	1179020	1	-	-	-	-	-	-
07	COIL AND HEADER ASY	1179021	-	1	-	-	-	-	-
07	COIL AND HEADER ASY	1179022	-	-	1	-	-	-	-
07	COIL AND HEADER ASY	1179023	-	-	-	1	-	-	-
07	COIL AND HEADER ASY	1179024	-	-	-	-	1	-	-
07	COIL AND HEADER ASY	1179025	-	-	-	-	-	1	-
07	COIL AND HEADER ASY	1179026	-	-	-	-	-	-	1
08	STRAINER	1171740	1	1	1	1	1	1	1
09	CONDENSATE PAN	1171673	-	-	-	-	1	-	-
09	CONDENSATE PAN	1171674	-	-	-	-	-	1	-
09	CONDENSATE PAN	1171675	-	-	-	-	-	-	1
10	CONDENSATE PAN ASY	1175206	1	-	-	-	-	-	-
10	CONDENSATE PAN ASY	1175207	-	1	1	-	-	-	-
10	CONDENSATE PAN ASY	1178986	-	-	-	1	-	-	-
10	CONDENSATE PAN ASY	1178987	-	-	-	-	1	1	-
10	CONDENSATE PAN ASY	1178988	-	-	-	-	-	-	1
11	WHEEL BLOWER	1171743	1	-	-	-	-	-	-
11	WHEEL BLOWER	1171744	-	1	-	-	-	-	-
11	WHEEL BLOWER	1171745	-	-	1	-	-	-	-
11	WHEEL BLOWER	1171741	-	-	-	1	1	-	-
11	WHEEL BLOWER	1171742	-	-	-	-	-	1	1
12	MOTOR BLOWER	1178977	1	-	-	-	-	-	-
12	MOTOR BLOWER	1178978	-	1	-	-	-	-	-
12	MOTOR BLOWER	1178979	-	-	1	-	-	-	-
12	MOTOR BLOWER	1178980	-	-	-	1	-	-	-
12	MOTOR BLOWER	1178981	-	-	-	-	1	-	-
12	MOTOR BLOWER	1178982	-	-	-	-	-	1	-
12	MOTOR BLOWER	1178983	-	-	-	-	-	-	1
13	HARNES ASSY BLOWER ECMX	1175754	1	1	1	1	1	1	1
14	CUTOFF	1171570	1	-	-	-	-	-	-
14	CUTOFF	1171571	-	1	-	-	-	-	-
14	CUTOFF	1171567	-	-	1	-	-	-	-
14	CUTOFF	1171568	-	-	-	1	1	-	-
14	CUTOFF	1171572	-	-	-	-	-	1	1

WAHT Parts List									
KEY NO.	DESCRIPTION	PART NO.	WAHT184A2	WAHT244A2	WAHT304A2	WAHT364A2	WAHT424A2	WAHT484A2	WAHT604A2
15	LUG GROUND	1170677	1	1	1	1	1	1	1
16	DISTRIBUTOR ASY	1172624	1						
16	DISTRIBUTOR ASY	1171603		1	1				
16	DISTRIBUTOR ASY	1172888				1			
16	DISTRIBUTOR ASY	1172983					1		
16	DISTRIBUTOR ASY	1171606						1	
16	DISTRIBUTOR ASY	1171605							1
A	PANEL ASSY TOP INSUL	1177144	1						
A	PANEL ASSY TOP INSUL	1177050		1	-	-	-	-	-
A	PANEL ASSY TOP INSUL	1177047		-	1	-	-	-	-
A	PANEL ASSY TOP INSUL	1177048		-	-	1	-	1	-
A	PANEL ASSY TOP INSUL	1177051		-	-	-	1	-	-
A	PANEL ASSY TOP INSUL	1177049		-	-	-	-	-	1
AA	PLATE HEATER	1171583	1						
AA	PLATE HEATER	1171584		1	1	-	-	-	-
AA	PLATE HEATER	1171581		-	-	1	1	1	-
AA	PLATE HEATER	1171582		-	-	-	-	-	1
B	DOOR ASSY LOWER INSUL	1177145	1						
B	DOOR ASSY LOWER INSUL	1177054		1	-	-	-	-	-
B	DOOR ASSY LOWER INSUL	1177057		-	1	-	-	-	-
B	DOOR ASSY LOWER INSUL	1177055		-	-	1	-	-	-
B	DOOR ASSY LOWER INSUL	1177056		-	-	-	1	-	-
B	DOOR ASSY LOWER INSUL	1177052		-	-	-	-	1	-
B	DOOR ASSY LOWER INSUL	1177053		-	-	-	-	-	1
BB	DECK BLOWER	1171585	1						
BB	DECK BLOWER	1171586		1	-	-	-	-	-
BB	DECK BLOWER	1171587		-	1	-	-	-	-
BB	DECK BLOWER	1171588		-	-	1	1	1	-
BB	DECK BLOWER	1171589		-	-	-	-	-	1
C	DOOR ASSY UPPER INSUL	1177146	1						
C	DOOR ASSY UPPER INSUL	1177073		1	-	-	-	-	-
C	DOOR ASSY UPPER INSUL	1177058		-	1	-	-	-	-
C	DOOR ASSY UPPER INSUL	1177059		-	-	1	-	1	-
C	DOOR ASSY UPPER INSUL	1177061		-	-	-	1	-	-
C	DOOR ASSY UPPER INSUL	1177060		-	-	-	-	-	1
CC	BRACKET COIL	1171651	1	1	1	-	-	-	-
CC	BRACKET COIL	1171650		-	-	1	-	-	-
D	DOOR ASSY FITTING INSUL	1177075	1	1	1	1	1	-	-
D	DOOR ASSY FITTING INSUL	1178989						1	1
DD	SHIELD COND PAN	1172328	1	1	1	1	-	-	-
E	DOOR ASSY FILTER	1177147	1						
E	DOOR ASSY FILTER	1177063		1	1	-	-	-	-
E	DOOR ASSY FILTER	1177064		-	-	1	1	1	-
E	DOOR ASSY FILTER	1177065		-	-	-	-	-	1
EE	EXTENSION COIL	1171578	1						
EE	EXTENSION COIL	1171579		1	1	-	-	-	-
EE	EXTENSION COIL	1171580		-	-	1	-	-	-
F	BARRIER LOW VOLTAGE	1171660	1	1	1	1	1	1	1
FF	SUPPORT COIL	1171665	1						
FF	SUPPORT COIL	1171666		1	1	-	-	-	-

WAHT Parts List

KEY NO.	DESCRIPTION	PART NO.	WAHT184A2	WAHT244A2	WAHT304A2	WAHT364A2	WAHT424A2	WAHT484A2	WAHT604A2
FF	SUPPORT COIL	1171667		-	-	1	-	-	-
G	BAFFLE DIFFUSER	1171569	1	1	1	1	1	1	1
GG	BAFFLE COIL	1171644	1	1	1	1	-	-	-
H	SPRING	1172554	1	1	1	1	1	1	1
HH	SUPPORT COND PAN	1171664	1	1	1	1	-	-	-
J	TUBE DRAIN	1172337					1	1	1
JJ	CHANNEL COND	1171645	1	1	1	1			
K	GROMMET SUCTION	1172083	1	1	-	-	-	-	-
K	GROMMET SUCTION	1171622		-	1	1	1	1	-
K	GROMMET SUCTION	1173772							1
L	PLUG BUTTON	1173764		-	-	-	1	1	1
LL	FITTING DRAIN	1171636					1	1	1
M	SUPPORT PAN	1172636						1	1
MM	FITTING DRAIN	1171635					1	1	1
N	BRACKET COIL	1171574		-	-	-	1	1	1
P	BRACKET COIL	1171575		-	-	-	1	1	1
PP	CAP	1174949					1	1	1
Q	SHIELD COND PAN	1172328		-	-	-	2	2	2
R	AIR SEAL ASSY	1171640		-	-	-	1	-	-
R	AIR SEAL ASSY	1171641		-	-	-	-	1	1
RR	CAP	1174950					1	1	1
S	TROUGH CNDS	1171639		-	-	-	1	-	-
S	TROUGH CNDS	1171638		-	-	-	-	1	1
T	TROUGH CNDS	1171637		-	-	-	1	1	1
U	BAFFLE DRIP	1171646		-	-	-	1	-	-
U	BAFFLE DRIP	1171647		-	-	-	-	1	-
U	BAFFLE DRIP	1171648		-	-	-	-	-	1
V	RING DRIP	1171649		-	-	-	1	1	-
V	RING DRIP	1172329		-	-	-	-	-	1
W	BAND MTR MOUNT	1171733	1	1	1	1	1	-	-
W	BAND MTR MOUNT	1171566		-	-	-	-	1	1
X	HOUSING BLOWER FAN	1177148	1						
X	HOUSING BLOWER FAN	1177066		1	-	-	-	-	-
X	HOUSING BLOWER FAN	1177067		-	1	-	-	-	-
X	HOUSING BLOWER FAN	1177068		-	-	1	1	-	-
X	HOUSING BLOWER FAN	1177069		-	-	-	-	1	1
Y	ARM AND GROMMET ASSY	1173747	1	1	1	-	-	-	-
Y	ARM AND GROMMET ASSY	1173746		-	-	1	1	-	-
Y	ARM AND GROMMET ASSY	1173791		-	-	-	-	1	1
Z	SCREW SPECIAL	1170636	3	3	3	3	3	4	4
Parts Not Shown									
)	HARNES ASSY UNIT	1178976	1	1	1	1	1	1	1
)	HEX HD 10AB 1/2	1177071	31	31	31	31	31	31	31
)	HEX HD 10AB 5/8	1177072	12	12	12	12	12	12	12
)	PAINT TOUCH-UP TAUPE METALLIC	1179019	1	1	1	1	1	1	1
)	GROMMET LIQUID	1171620	1	1	1	1	1	1	1
)	GROMMET	1171737	1	1	1	1	1	1	1

International Comfort Products, LLC
 Lewisburg, Tennessee 37091 USA