

PARTS MANUAL

Gas Furnace

F8MXN, F8MXL, G8MXN, G8MXL

Safety Labeling and Signal Words

DANGER, WARNING, CAUTION, and NOTE

The signal words **DANGER**, **WARNING**, **CAUTION**, and **NOTE** are used to identify levels of hazard seriousness. The signal word **DANGER** is only used on product labels to signify an immediate hazard. The signal words **WARNING**, **CAUTION**, and **NOTE** will be used on product labels and throughout this manual and other manuals that may apply to the product.

DANGER – Immediate hazards which **will** result in severe personal injury or death.

WARNING – Hazards or unsafe practices which **could** result in severe personal injury or death.

CAUTION – Hazards or unsafe practices which **may** result in minor personal injury or product or property damage.

NOTE – Used to highlight suggestions which **will** result in enhanced installation, reliability, or operation.

Signal Words in Manuals

The signal word **WARNING** is used throughout this manual in the following manner:



The signal word **CAUTION** is used throughout this manual in the following manner:



Signal Words on Product Labeling

Signal words are used in combination with colors and/or pictures on product labels.

TABLE OF CONTENTS

Model Number Identification	2
Parts Diagram	3
Parts	5

MODELS

F8MXN0451408A2	G8MXN0451408A2
F8MXL0451408A2	G8MXL0451408A2
F8MXN0701716A2	G8MXN0701716A2
F8MXL0701716A2	G8MXL0701716A2
F8MXN0902116A2	G8MXN0902116A2
F8MXL0902116A2	G8MXL0902116A2
F8MXN1102120A2	G8MXN1102120A2
F8MXL1102120A2	G8MXL1102120A2
F8MXN1352420A2	G8MXN1352420A2
F8MXL1352420A2	G8MXL1352420A2

ELECTRICAL SHOCK HAZARD

Failure to turn off electric power could result in personal injury or death.

Before installing or servicing system, turn off main power to the system. There may be more than one disconnect switch, including accessory heater(s).

MODEL NUMBER IDENTIFICATION GUIDE

DIGIT POSITION	1	2	3	4	5	6,7,8	9,10	11,12	13	14
G or F= Mainline	*	8	M	X	L	045	14	12	A	2
N = Entry	EFFICIENCY		POSITION		TYPE		FEATURE			
8 = 80% AFUE										
M = Multiposition										
V = Variable Speed Blower Motor - ECM										
X = ECM Blower Motor										
S = Single-stage										
T = Two-stage										
N = Standard										
L = Low NOx										
045 = 44,000 BTU/hr										
070 = 66,000 BTU/hr										
090 = 88,000 BTU/hr										
110 = 110,000 BTU/hr										
135 = 132,000 BTU/hr										
14 = 14-3/16"										
17 = 17-1/2"										
21 = 21"										
24 = 24-1/2"										
08 = 800 CFM										
12 = 1200 CFM										
14 = 1400 CFM										
16 = 1600 CFM										
20 = 2000 CFM										
22 = 2200 CFM										
NOMINAL MAXIMUM COOLING AIRFLOW @ .5 IN. W.C.										
SALES (MAJOR) REVISION DIGIT										
ENGINEERING (MINOR) REVISION DIGIT										

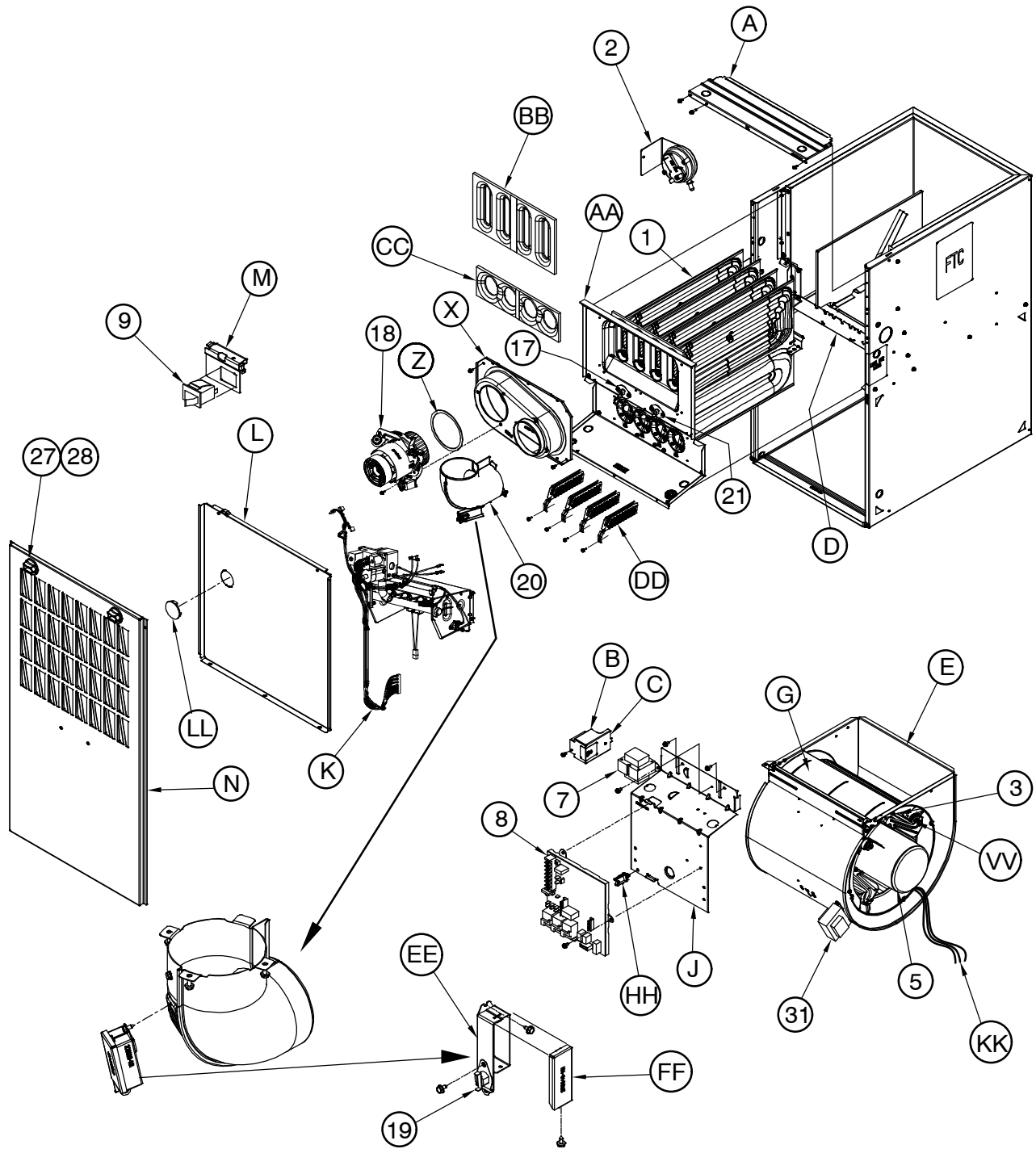
ECM—Electronically Commutated Motor

ACCESSORIES PART NUMBER IDENTIFICATION GUIDE

DIGIT POSITION	1	2	3	4	5, 6, 7	8, 9	10, 11
	N	A	H	A	001	01	DH
N = Non-Branded	BRANDING		PRODUCT GROUP		KIT USAGE		MAJOR SERIES
A = Accessory							
H = Heating							
A = Original							
B = 2nd Generation							
Product Identifier Number							
Package Quantity							
Type of Kit (Example: DH = Draft Hood - Chimney Adapter)							

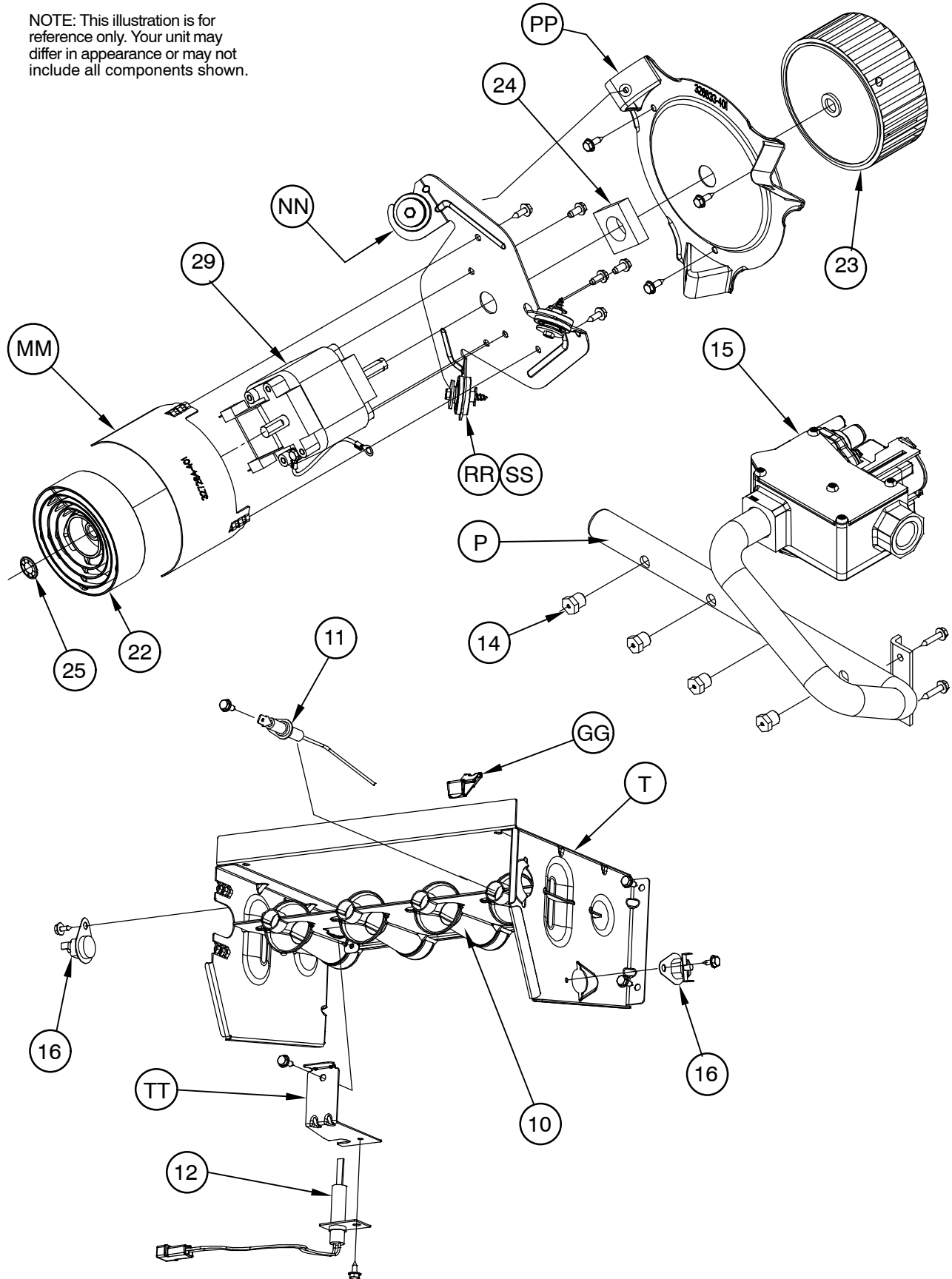
PARTS DIAGRAM

NOTE: This illustration is for reference only. Your unit may differ in appearance or may not include all components shown.



PARTS DIAGRAM

NOTE: This illustration is for reference only. Your unit may differ in appearance or may not include all components shown.



F8MS(N,L) G8MS(N,L) PARTS LIST

KEY NO.	DESCRIPTION	FAST PARTS NO.											
			F8MX(N,L)0451408A2	F8MX(N,L)0701716A2	F8MX(N,L)0902116A2	F8MX(N,L)1102120A2	F8MX(N,L)1352420A2	G8MX(N,L)0451408A2	G8MX(N,L)0701716A2	G8MX(N,L)0902116A2	G8MX(N,L)1102120A2	G8MX(N,L)1352420A2	
01	HEAT EXCHANGER ASY	1183426	2	3	4	5	6	2	3	4	5	6	
02	SWITCH PRESSURE	1183920	1	1	1	1	1	1	1	1	1	1	
03	WHEEL BLOWER 10 X 6	1176934	1	-	-	-	-	1	-	-	-	-	
03	WHEEL BLOWER 11 X 8	1177180	-	1	-	-	-	-	1	-	-	-	
03	WHEEL BLOWER 10 X 10	1176936	-	-	1	-	-	-	-	1	-	-	
03	WHEEL BLOWER 11 X 11	1176937	-	-	-	1	1	-	-	-	1	1	
05	MTR BLR 1/2 HP	1185158	1	-	-	-	-	1	-	-	-	-	
05	MTR BLR 3/4 HP	1185159	-	1	-	-	-	-	1	-	-	-	
05	MTR BLR 3/4 HP	1185160	-	-	1	-	-	-	-	1	-	-	
05	MTR BLR 1 HP	1185161	-	-	-	1	-	-	-	-	1	-	
05	MTR BLR 1 HP	1185162	-	-	-	-	1	-	-	-	-	1	
07	TRANSFORMER ASY	1177217	1	1	1	1	1	1	1	1	1	1	
08	BOARD CIRCUIT	1183386	1	1	1	1	1	1	1	1	1	1	
09	SWITCH DOOR	1171981	1	1	1	1	1	1	1	1	1	1	
10	BURNER ASSY	1176914	1	-	-	-	-	1	-	-	-	-	
10	BURNER ASSY	1176915	-	1	-	-	-	-	1	-	-	-	
10	BURNER ASSY	1176916	-	-	1	-	-	-	-	1	-	-	
10	BURNER ASSY	1176917	-	-	-	1	-	-	-	-	1	-	
10	BURNER ASSY	1176918	-	-	-	-	1	-	-	-	-	1	
11	SENSOR FLAME	1176920	1	1	1	1	1	1	1	1	1	1	
12	IGNITOR	1176919	1	1	1	1	1	1	1	1	1	1	
14	ORIFICE	1176928	2	3	4	5	6	2	3	4	5	6	
15	VALVE GAS	1176929	1	1	1	1	1	1	1	1	1	1	
16	SWITCH LIMIT 350 F	1177033	2	2	2	2	2	2	2	2	2	2	
17	SWITCH TEMP LMT 190 F	1183523	1	-	-	-	1	1	-	-	-	1	
17	SWITCH TEMP LMT 160 F	1183524	-	1	-	1	-	-	1	-	1	-	
17	SWITCH LIMIT 180 F	1176906	-	-	1	-	-	-	-	1	-	-	
18	MOTOR ASSY INDUCER	1176910	1	1	-	-	-	1	1	-	-	-	
18	MOTOR ASSY INDUCER	1176911	-	-	1	-	-	-	-	1	-	-	
18	MOTOR ASSY INDUCER	1176912	-	-	-	1	1	-	-	-	1	1	
19	SWITCH LIMIT AUTO RESET	1176902	1	1	1	1	1	1	1	1	1	1	
20	VENT ELBOW ASY	1183473	1	1	1	1	1	1	1	1	1	1	
21	SWITCH LIMIT 180 F	1176906	-	-	-	1	-	-	-	-	1	-	
22	INDUCER FAN	1183442	1	1	1	1	1	1	1	1	1	1	
23	WHEEL INDUCER 4.5 X 1.5	1183454	1	1	1	1	1	1	1	1	1	1	
24	SHAFT SEAL	1183443	1	1	1	1	1	1	1	1	1	1	
25	CLIP	1177196	1	1	1	1	1	1	1	1	1	1	
27	DOOR LATCH	1183487	1	1	1	1	1	1	1	1	1	1	
28	KNOB	1183488	1	1	1	1	1	1	1	1	1	1	
29	INDUCER MTR 1/115 8.1 3000	1183525	1	1	-	-	-	1	1	-	-	-	
29	INDUCER MTR 1/115 16 3000	1183526	-	-	1	-	-	-	-	1	-	-	
29	INDUCER MTR 1/115 30 3000	1183527	-	-	-	1	1	-	-	-	1	1	
31	CHOKE POWER VS	1172838	-	-	-	1	1	-	-	-	1	1	
A	TOP PLATE	1183414	1	-	-	-	-	1	-	-	-	-	
A	TOP PLATE	1183415	-	1	-	-	-	-	1	-	-	-	
A	TOP PLATE	1183416	-	-	1	1	-	-	-	1	1	-	
A	TOP PLATE	1183417	-	-	-	-	1	-	-	-	-	1	
AA	PANEL CELL	1183427	1	-	-	-	-	1	-	-	-	-	

- continued on next page -

F8MS(N,L) G8MS(N,L) PARTS LIST (continued)

KEY NO.	DESCRIPTION	FAST PARTS NO.	F8MX(N,L)0451408A2	F8MX(N,L)0701716A2	F8MX(N,L)0902116A2	F8MX(N,L)1102120A2	F8MX(N,L)1352420A2	G8MX(N,L)0451408A2	G8MX(N,L)0701716A2	G8MX(N,L)0902116A2	G8MX(N,L)1102120A2	G8MX(N,L)1352420A2
AA	CELL PANEL	1183528	-	1	-	-	-	-	1	-	-	-
AA	CELL PANEL	1183529	-	-	1	-	-	-	-	1	-	-
AA	PANEL CELL	1183430	-	-	-	1	-	-	-	-	1	-
AA	PANEL CELL	1183431	-	-	-	-	1	-	-	-	-	1
B	BOX AUX J	1183421	1	1	1	1	1	1	1	1	1	1
BB	GASKET OUTLET 2 CELL	1176897	1	-	-	-	-	1	-	-	-	-
BB	GASKET OUTLET 3 CELL	1183530	-	1	-	-	-	-	1	-	-	-
BB	GASKET OUTLET 4 CELL	1176899	-	-	1	-	-	-	-	1	-	-
BB	GASKET OUTLET 5 CELL	1176900	-	-	-	1	-	-	-	-	1	-
BB	GASKET OUTLET 6 CELL	1176901	-	-	-	-	1	-	-	-	-	1
C	COVER BOX AUX J	1183422	1	1	1	1	1	1	1	1	1	1
CC	GASKET INLET 2 CELL	1176892	1	-	-	-	-	1	-	-	-	-
CC	GASKET INLET 3 CELL	1176893	-	1	-	-	-	-	1	-	-	-
CC	GASKET INLET 4 CELL	1176894	-	-	1	-	-	-	-	1	-	-
CC	GASKET INLET 5 CELL	1176895	-	-	-	1	-	-	-	-	1	-
CC	GASKET INLET 6 CELL	1176896	-	-	-	-	1	-	-	-	-	1
D	SHELF ASSY BLOWER	1177034	1	-	-	-	-	1	-	-	-	-
D	SHELF ASSY BLOWER	1183531	-	1	-	-	-	-	1	-	-	-
D	SHELF ASSY BLOWER	1177039	-	-	1	-	-	-	-	1	-	-
D	SHELF ASSY BLOWER	1177041	-	-	-	1	-	-	-	-	1	-
D	SHELF ASSY BLOWER	1177042	-	-	-	-	1	-	-	-	-	1
DD	RADIATOR FLAME - (F, G)8MXL only	1177046	2	3	4	5	6	2	3	4	5	6
E	HOUSING ASY BLOWER	1183462	1	-	-	-	-	1	-	-	-	-
E	HOUSING ASY BLOWER	1183532	-	1	-	-	-	-	1	-	-	-
E	HOUSING ASY BLOWER	1183533	-	-	1	-	-	-	-	1	-	-
E	HOUSING ASY BLOWER	1183464	-	-	-	1	1	-	-	-	1	1
EE	BOX SAFE GUARD	1176958	1	1	1	1	1	1	1	1	1	1
FF	COVER SAFE GUARD BOX	1176959	1	1	1	1	1	1	1	1	1	1
G	CUTOFF BLOWER	1176938	1	-	-	-	-	1	-	-	-	-
G	CUTOFF BLOWER	1183535	-	1	-	-	-	-	1	-	-	-
G	CUTOFF BLOWER	1176940	-	-	1	-	-	-	-	1	-	-
G	CUTOFF BLOWER	1176941	-	-	-	1	1	-	-	-	1	1
GG	CLIP HARNESS RETAINER	1176922	1	1	1	1	1	1	1	1	1	1
HH	CLIP HARNESS RETAINER	1176946	1	1	1	1	1	1	1	1	1	1
J	BRACKET CONTROL MTG	1183472	1	1	1	1	1	1	1	1	1	1
K	HARNESS ASSY 80% 1 STG	1183536	1	1	1	1	1	1	1	1	1	1
KK	HARNESS ASSY 80% 1-STG	1183522	1	1	1	1	1	1	1	1	1	1
L	BLOWER DOOR ASY	1184890	1	-	-	-	-	1	-	-	-	-
L	BLOWER DOOR ASY	1184891	-	1	-	-	-	-	1	-	-	-
L	BLOWER DOOR ASY	1184892	-	-	1	1	-	-	-	1	1	-
L	BLOWER DOOR ASY	1184893	-	-	-	-	1	-	-	-	-	1
LL	SIGHTGLASS	1183478	1	1	1	1	1	1	1	1	1	1
M	BRACKET DOOR SWITCH	1183425	1	1	1	1	1	1	1	1	1	1
MM	INDUCER MOTOR SHIELD	1183446	1	1	1	1	1	1	1	1	1	1
N	OUTER DOOR ASY	1183479	-	-	-	-	-	1	-	-	-	-
N	OUTER DOOR ASY	1183480	-	-	-	-	-	-	1	-	-	-
N	OUTER DOOR ASY	1183481	-	-	-	-	-	-	-	1	1	-
N	OUTER DOOR ASY	1183482	-	-	-	-	-	-	-	-	-	1

- continued on next page -

F8MS(N,L) G8MS(N,L) PARTS LIST (continued)

KEY NO.	DESCRIPTION	FAST PARTS NO.	F8MX(N,L)0451408A2	F8MX(N,L)0701716A2	F8MX(N,L)0902116A2	F8MX(N,L)1102120A2	F8MX(N,L)1352420A2	G8MX(N,L)0451408A2	G8MX(N,L)0701716A2	G8MX(N,L)0902116A2	G8MX(N,L)1102120A2	G8MX(N,L)1352420A2
N	OUTER DOOR ASY	1183483	1	-	-	-	-	-	-	-	-	-
N	OUTER DOOR ASY	1183484	-	1	-	-	-	-	-	-	-	-
N	OUTER DOOR ASY	1183485	-	-	1	1	-	-	-	-	-	-
N	OUTER DOOR ASY	1183486	-	-	-	-	1	-	-	-	-	-
NN	INDUCER MOTOR BRACKET	1183445	1	1	1	1	1	1	1	1	1	1
P	MANIFOLD	1176923	1	-	-	-	-	1	-	-	-	-
P	MANIFOLD	1176924	-	1	-	-	-	-	1	-	-	-
P	MANIFOLD	1176925	-	-	1	-	-	-	-	1	-	-
P	MANIFOLD	1176926	-	-	-	1	-	-	-	-	1	-
P	MANIFOLD	1176927	-	-	-	-	1	-	-	-	-	1
PP	INDUCER MOTOR SUPPORT	1183444	1	1	1	1	1	1	1	1	1	1
RR	SCREW	1183447	3	3	3	3	3	3	3	3	3	3
SS	GROMMET	1183453	3	3	3	3	3	3	3	3	3	3
T	SUPPORT ASSY BURNER	1177028	1	-	-	-	-	1	-	-	-	-
T	SUPPORT ASSY BURNER	1177029	-	1	-	-	-	-	1	-	-	-
T	SUPPORT ASSY BURNER	1177030	-	-	1	-	-	-	-	1	-	-
T	SUPPORT ASSY BURNER	1177031	-	-	-	1	-	-	-	-	1	-
T	SUPPORT ASSY BURNER	1177032	-	-	-	-	1	-	-	-	-	1
TT	BRACKET IGNITER	1183455	1	1	1	1	1	1	1	1	1	1
VV	SCREW THD FORMING 1/4-20X1-1/4	1178570	4	4	4	4	4	4	4	4	4	4
X	INDUCER HOUSING ASSY	1183541	1	-	-	-	-	1	-	-	-	-
X	INDUCER HOUSING ASSY	1183542	-	1	-	-	-	-	1	-	-	-
X	INDUCER HOUSING ASSY	1183543	-	-	1	-	-	-	-	1	-	-
X	INDUCER HOUSING ASSY	1183435	-	-	-	1	-	-	-	-	1	-
X	INDUCER HOUSING ASSY	1183436	-	-	-	-	1	-	-	-	-	1
Z	GASKET INDUCER MOTOR	1176913	1	1	1	1	1	1	1	1	1	1
PARTS NOT SHOWN												
)	KIT GASKET BLW DOOR LEAKAGE	1183413	1	1	1	1	1	1	1	1	1	1
)	GAS CONV NAT>LP - NAHA00801LP	1183388	1	1	1	1	1	1	1	1	1	1
)	GAS CONV LP>NAT - NAHA00801NG	1183389	1	1	1	1	1	1	1	1	1	1