

TECHNICAL SUPPORT MANUAL

Fan Coils

FEM4P, FSM4P, FSU4P

Safety Labeling and Signal Words

DANGER, WARNING, CAUTION, and NOTE

The signal words **DANGER**, **WARNING**, **CAUTION**, and **NOTE** are used to identify levels of hazard seriousness. The signal word **DANGER** is only used on product labels to signify an immediate hazard. The signal words **WARNING**, **CAUTION**, and **NOTE** will be used on product labels and throughout this manual and other manuals that may apply to the product.

DANGER – Immediate hazards which **will** result in severe personal injury or death.

WARNING – Hazards or unsafe practices which **could** result in severe personal injury or death.

CAUTION – Hazards or unsafe practices which **may** result in minor personal injury or product or property damage.

NOTE – Used to highlight suggestions which **will** result in enhanced installation, reliability, or operation.

Signal Words in Manuals

The signal word **WARNING** is used throughout this manual in the following manner:



The signal word **CAUTION** is used throughout this manual in the following manner:



Signal Words on Product Labeling

Signal words are used in combination with colors and/or pictures on product labels.

TABLE OF CONTENTS

Model Number Identification	2
FEM4P Wiring Diagram	3
FSM4P, FSU4P Wiring Diagram	4
Airflow Tables	5 – 7
Exploded Drawing	8 – 13
FEM4P*A1 Parts List	14 – 15
FEM4P*AT1 Parts List	16 – 17
FSM4P*A1 Parts List	18 – 19
FSM4P*AT1 Parts List	20 – 21
FSU4P*A1 Parts List	22 – 23
FSU4P*AT1 Parts List	24 – 25

MODELS

FEM4P1800A1	FSM4P1800A1	FSU4P1800A1
FEM4P1800AT1	FSM4P1800AT1	FSU4P1800AT1
FEM4P2400A1	FSM4P2400A1	FSU4P2400A1
FEM4P2400AT1	FSM4P2400AT1	FSU4P2400AT1
FEM4P3000A1	FSM4P3000A1	FSU4P3000A1
FEM4P3000AT1	FSM4P3000AT1	FSU4P3000AT1
FEM4P3600A1	FSM4P3600A1	FSU4P3600A1
FEM4P3600AT1	FSM4P3600AT1	FSU4P3600AT1
FEM4P4200A1	FSM4P4200A1	FSU4P4200A1
FEM4P4200AT1	FSM4P4200AT1	FSU4P4200AT1
FEM4P4800A1	FSM4P4800A1	FSU4P4800A1
FEM4P4800AT1	FSM4P4800AT1	FSU4P4800AT1

ELECTRICAL SHOCK HAZARD

Failure to turn off electric power could result in personal injury or death.

Before installing or servicing system, turn off main power to the system. There may be more than one disconnect switch, including accessory heater(s).

FAN COIL MODEL NUMBER IDENTIFICATION GUIDE								
	F	E	M	4	P	1800	A	T
F = Fan Coil								
S = Standard PSC								
E = High efficiency ECM		MOTOR TYPE						
U = Upflow								
M = Multiposition		INSTALLATION TYPE						
4 = Environmentally Sound R-410A				REFRIGERANT				
P = Piston Metering Device						METERING DEVICE		
1800 = 18,000 BTUH = 1½ tons								
2400 = 24,000 BTUH = 2 tons								
3000 = 30,000 BTUH = 2½ tons								
3600 = 36,000 BTUH = 3 tons								
4200 = 42,000 BTUH = 3½ tons								
4800 = 48,000 BTUH = 4 tons								
						NOMINAL CAPACITY		
A = Standard								
AT = Tin coated copper tubes								SALES CODE / FEATURES

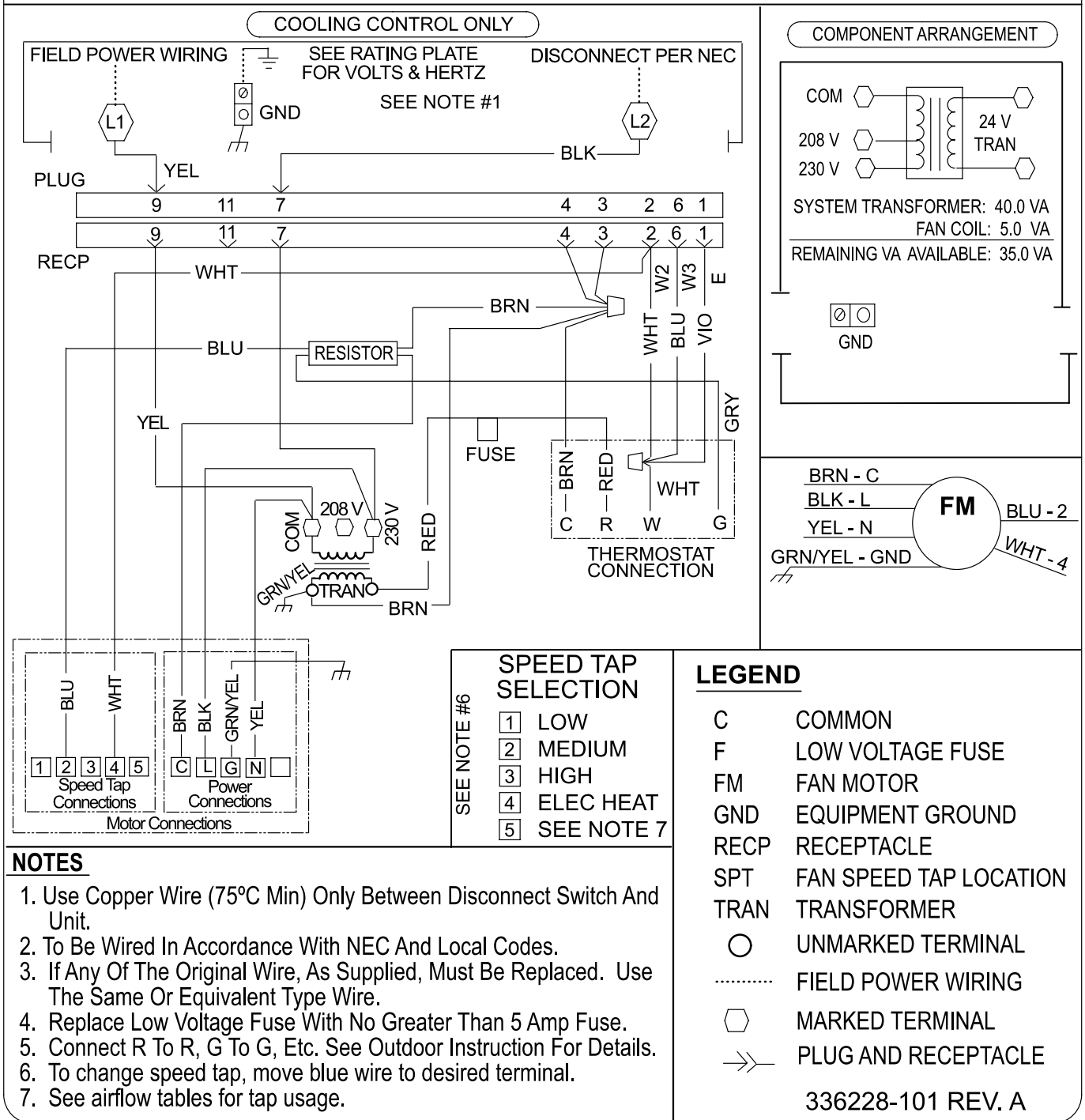
ACCESSORIES PART NUMBER IDENTIFICATION GUIDE					
	EB	AC	01	NCB	A
EB = Evaporator Blower					
AC = Accessory					
01 = Product Identifier Number					
NCB = Non-Combustible Base Kit					
DFK = Down Flow Kit					
PLG = Power Plug (no heat kit)					
SPK = Single Point Wiring Kit					
FKS = Filter Kit Small					
FKM = Filter Kit Medium					
FKL = Filter Kit Large					
FKX = Filter Kit Extra Large					
CTK = Condensate Trap Kit (PVC pipe)					
Sales Code					

ELECTRIC HEATER MODEL NUMBER IDENTIFICATION GUIDE						
	EHK	05	A	K	N	1
EHK = Electric Heater Kit						
05 = 5 kW						
07 = 7 kW						
09 = 9 kW						
10 = 10 kW						
15 = 15 kW						
18 = 18 kW						
20 = 20 kW						
25 = 25 kW						
30 = 30 kW		NOMINAL HEAT VALUE				
Sales Code						
K = 208 / 230 single-phase						
H = 208 / 230, 3-phase						
KC = 208 / 230, supplied as single phase, field convertible to 3-phase						
HC = 208 / 230 supplied as 3-phase, field convertible to single phase				VOLTAGE (60 Hz)		
Product Identifier						
Engineering Code						

FEM4P

THIS COMPARTMENT MUST BE CLOSED EXCEPT FOR SERVICING

BLOWER MOTOR ROTATION



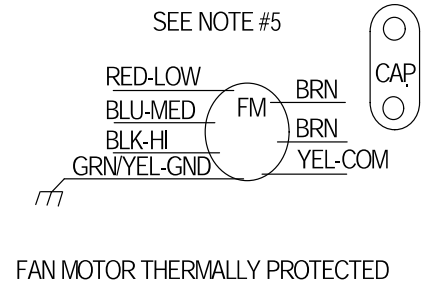
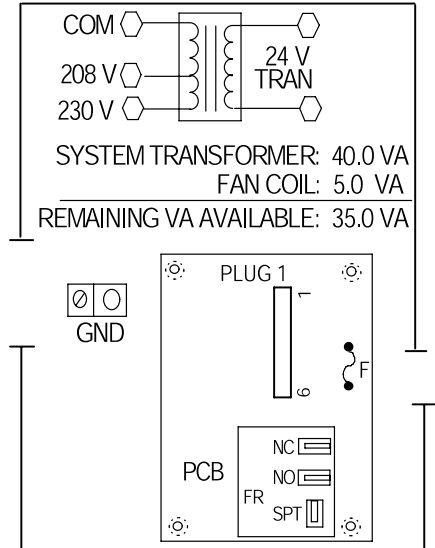
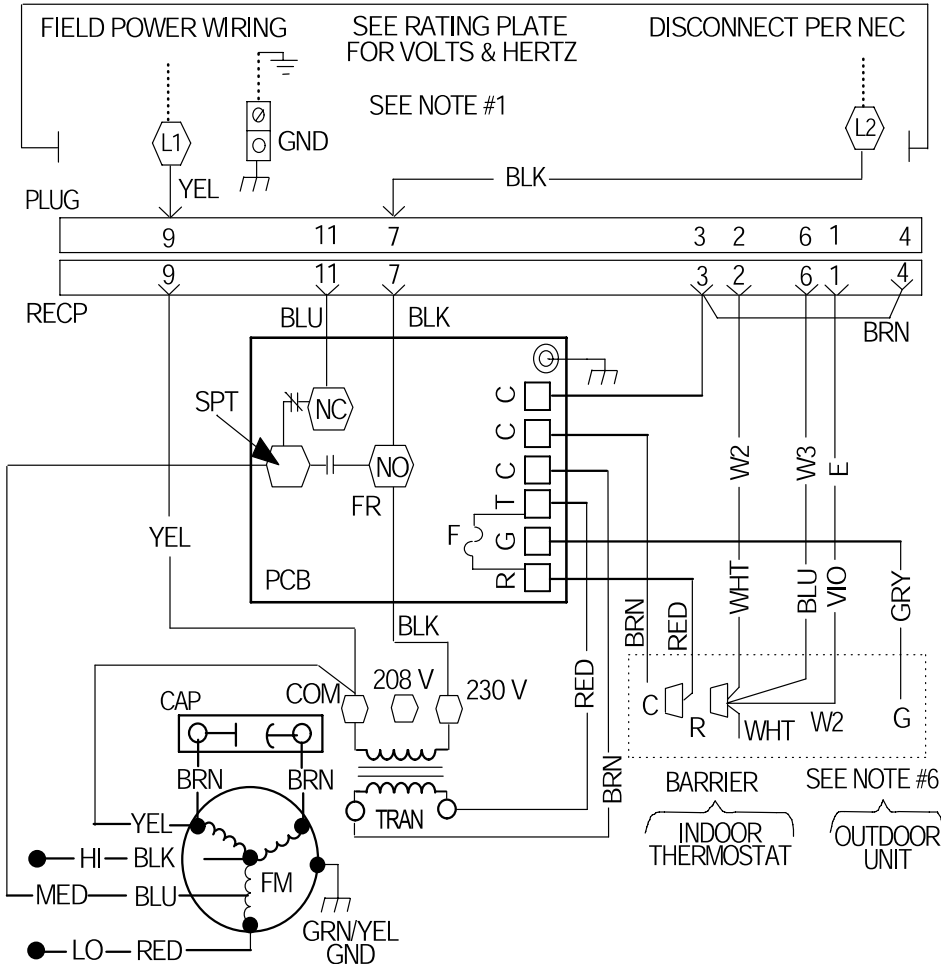
FSM4P & FSU4P

THIS COMPARTMENT MUST BE CLOSED EXCEPT FOR SERVICING

**BLOWER MOTOR
ROTATION**

COOLING CONTROL ONLY

COMPONENT ARRANGEMENT



**Minimum Motor Speed Tap Selection
For Electric Heater**

MODEL SIZE	HEATER SIZE KW						
	3,5,8	9	10	15	18	20	24, 30
18	MED *	----	HI	----	---	----	----
24	MED ‡	----	MED ‡	MED ‡	----	----	----
30	----	----	LO	LO	----	MED *	---
36,42,48,60	----	LO	LO	LO	LO	LO	LO
70	----	MED	MED	MED	MED	MED	MED

* - MED speed on 3 speed motors and HI speed on 2 speed motors.
 ‡ - MED speed on 3 speed motors and LO speed on 2 speed motors.

NOTES

1. Use Copper Wire (75°C Min) Only Between Disconnect Switch And Unit.
2. To Be Wired In Accordance With NEC And Local Codes.
3. If Any Of The Original Wire, As Supplied, Must Be Replaced, Use The Same Or Equivalent Type Wire.
4. Replace Low Voltage Fuse With No Greater Than 5 Amp Fuse.
5. (3) Speed Motor Shown Optional (2) Speed Motor Uses HI (BLK) And LOW (BLUE or RED).
6. Connect R To R, G To G, Etc. See Outdoor Instruction For Details.

LEGEND

- CAP CAPACITOR
- COM COMMON
- F LOW VOLTAGE FUSE
- FR PCB FAN RELAY
- FM FAN MOTOR
- GND EQUIPMENT GROUND
- PCB PRINTED CIRCUIT BOARD
- RECP RECEPTACLE
- SPT FAN SPEED TAP LOCATION
- TRAN TRANSFORMER
- UNMARKED TERMINAL
- FIELD POWER WIRING
- ◻ MARKED TERMINAL
- ➔ PLUG AND RECEPTACLE

328964-101 REV. A

AIRFLOW PERFORMANCE – CFM at a given Speed and Static reading							
Model	Blower Speed	Total Static (inches water column)					
		0.10	0.20	0.30	0.40	0.50	0.60
FEM4P1800	Tap 5	767	739	702	669	620	565
	Tap 4	614	569	534	486	436	398
	Tap 3	701	660	616	581	537	499
	Tap 2	614	569	534	486	436	398
	Tap 1	614	569	534	486	436	398
FEM4P2400	Tap 5	969	936	892	835	763	676
	Tap 4	826	795	766	743	706	660
	Tap 3	826	795	766	743	706	660
	Tap 2	701	660	616	581	537	499
	Tap 1	617	592	552	507	472	420
FEM4P3000	Tap 5	1108	1090	1065	1034	1009	974
	Tap 4	1026	1000	969	938	899	865
	Tap 3	1026	1000	969	938	899	865
	Tap 2	909	873	842	799	762	724
	Tap 1	825	795	757	722	674	634
FEM4P3600	Tap 5	1301	1276	1245	1218	1176	1121
	Tap 4	1227	1191	1169	1143	1105	1074
	Tap 3	1227	1191	1169	1143	1105	1074
	Tap 2	1087	1062	1030	1001	966	930
	Tap 1	1026	1000	969	938	899	865
FEM4P4200	Tap 5	1560	1544	1507	1464	1424	1358
	Tap 4	1419	1397	1358	1320	1279	1239
	Tap 3	1419	1397	1358	1320	1279	1239
	Tap 2	1249	1220	1184	1142	1093	1052
	Tap 1	1242	1205	1158	1110	1069	1026
FEM4P4800	Tap 5	1743	1712	1679	1642	1610	1574
	Tap 4	1669	1634	1599	1564	1531	1499
	Tap 3	1669	1634	1599	1564	1531	1499
	Tap 2	1452	1413	1377	1339	1308	1271
	Tap 1	1300	1256	1221	1182	1142	1101

AIRFLOW PERFORMANCE – CFM at a given Speed and Static reading													
Model	Blower Speed	Total Static (inches water column)											
		0.10		0.20		0.30		0.40		0.50		0.60	
		208V	230V	208V	230V	208V	230V	208V	230V	208V	230V	208V	230V
FSM4P1800	High	742	825	707	768	642	714	568	648	466	526	403	434
FSU4P1800	Low	541	608	480	564	417	511	357	431	299	363	n/a	304
FSM4P2400	High	1041	1112	969	1030	888	936	774	791	573	654	341	438
FSU4P2400	Low	874	1014	838	953	781	868	684	740	506	573	341	418
FSM4P3000	High	1256	1327	1186	1242	1071	1132	952	1005	704	791	459	482
FSU4P3000	Low	965	1117	949	1074	916	1019	805	902	575	637	396	447
FSM4P3600	High	1306	1490	1264	1418	1207	1338	1135	1241	1043	1127	842	937
FSU4P3600	Low	1164	1335	1144	1290	1108	1226	1052	1148	970	1048	697	855
FSM4P4200	High	1723	1768	1639	1681	1544	1576	1435	1465	1309	1340	1144	1182
FSU4P4200	Low	1387	1543	1358	1488	1311	1410	1237	1315	1137	1200	997	1047
FSM4P4800	High	1902	1941	1803	1867	1706	1767	1593	1648	1472	1512	1303	1371
FSU4P4800	Low	1671	1777	1630	1711	1563	1630	1479	1528	1370	1412	1218	1266

■ – Airflow outside 450 cfm/ton.

NOTES:

1. Airflow based upon dry coil at 230v with factory-approved filter and electric heater (2 element heater sizes 1800 through 3600, 3 element heater sizes 4200 through 4800). For FEM4P models, airflow at 208 volts is approximately the same as 230 volts because the ECM motor is a constant torque motor. The torque doesn't drop off at the speeds the motor operates.
2. To avoid potential for condensate blowing out of drain pan prior to making drain trap:
Return static pressure must be less than 0.40 in. wc.
Horizontal applications of 4200 – 4800 sizes must have supply static greater than 0.20 in. wc.
3. Airflow above 400 cfm/ton on 4800–4800 size could result in condensate blowing off coil or splashing out of drain pan.

PRESSURE DROP ACROSS FILTER (inches of water column)									
Model FEM4P	CFM								
	400	600	800	1000	1200	1400	1600	1800	2000
1800	0.02	0.044	0.075	—	—	—	—	—	—
2400, 3000	—	0.022	0.048	0.072	0.100	—	—	—	—
3600 4200, 4800	—	—	—	0.051	0.070	0.092	0.120	0.152	—

Models FSM4P, FSU4P	CFM								
	400	600	800	1000	1200	1400	1600	1800	2000
1800, 2400	0.012	0.022	0.048	0.072	—	—	—	—	—
3000, 3600, 4200	—	—	0.036	0.051	0.07	0.092	0.12	—	—
4800	—	—	—	—	—	0.073	0.086	0.105	0.13

STATIC PRESSURE CORRECTION FROM DRY TO WET COIL (inches of water column)																
Model FEM4P	CFM															
	500	600	700	800	900	1000	1100	1200	1300	1400	1500	1600	1700	1800	1900	2000
1800	0.034	0.049	0.063	—	—	—	—	—	—	—	—	—	—	—	—	—
2400	0.034	0.049	0.063	0.076	0.089	—	—	—	—	—	—	—	—	—	—	—
3000	—	—	—	0.049	0.059	0.070	0.080	—	—	—	—	—	—	—	—	—
3600	—	—	—	—	—	0.070	0.080	0.090	0.099	—	—	—	—	—	—	—
4200	—	—	—	—	—	—	—	0.049	0.056	0.063	0.070	—	—	—	—	—
4800	—	—	—	—	—	—	—	—	—	0.063	0.070	0.076	0.083	0.090	—	—

Models FSM4P, FSU4P	CFM															
	500	600	700	800	900	1000	1100	1200	1300	1400	1500	1600	1700	1800	1900	2000
1800	0.016	0.027	0.038	—	—	—	—	—	—	—	—	—	—	—	—	—
2400	0.016	0.027	0.038	0.049	0.059	—	—	—	—	—	—	—	—	—	—	—
3000	—	—	—	0.036	0.046	0.055	0.064	—	—	—	—	—	—	—	—	—
3600	—	—	—	—	—	0.055	0.064	0.073	0.081	—	—	—	—	—	—	—
4200	—	—	—	—	—	—	—	0.049	0.056	0.063	0.07	—	—	—	—	—
4800	—	—	—	—	—	—	—	—	—	0.038	0.043	0.049	0.054	0.059	—	—

MINIMUM CFM WHEN USING ELECTRIC HEAT

Model FEM4P	HEATER kW									
	3	5	8	9	10	15	18	20	24	30
1800	525	525	525	—	600	—	—	—	—	—
2400	700	700	700	—	700	775	—	—	—	—
3000	—	875	875	—	875	875	—	1060	—	—
3600	—	1050	970	970	970	920	—	1040	—	—
4200	—	—	1225	1225	1225	1225	1225	1225	—	—
4800	—	—	1400	1400	1400	1400	1400	1400	1400	1400

Note: Speed Tap 4 (white wire) is used for electric heat only. White wire must remain on tap 4.

Models FSM4P, FSU4P	HEATER kW									
	3	5	8	9	10	15	18	20	24	30
1800	525	525	525	—	600	—	—	—	—	—
2400	700	700	700	—	700	775	—	—	—	—
3000	—	875	875	—	875	875	—	1060	—	—
3600	—	1050	970	970	970	920	—	1040	—	—
4200	—	—	1225	1225	1225	1225	1225	1225	—	—
4800	—	—	1400	1400	1400	1400	1400	1400	1400	1400

Note: Values indicate low or medium speed.

STATIC PRESSURE CORRECTION FOR ELECTRIC HEATERS (inches of water column)

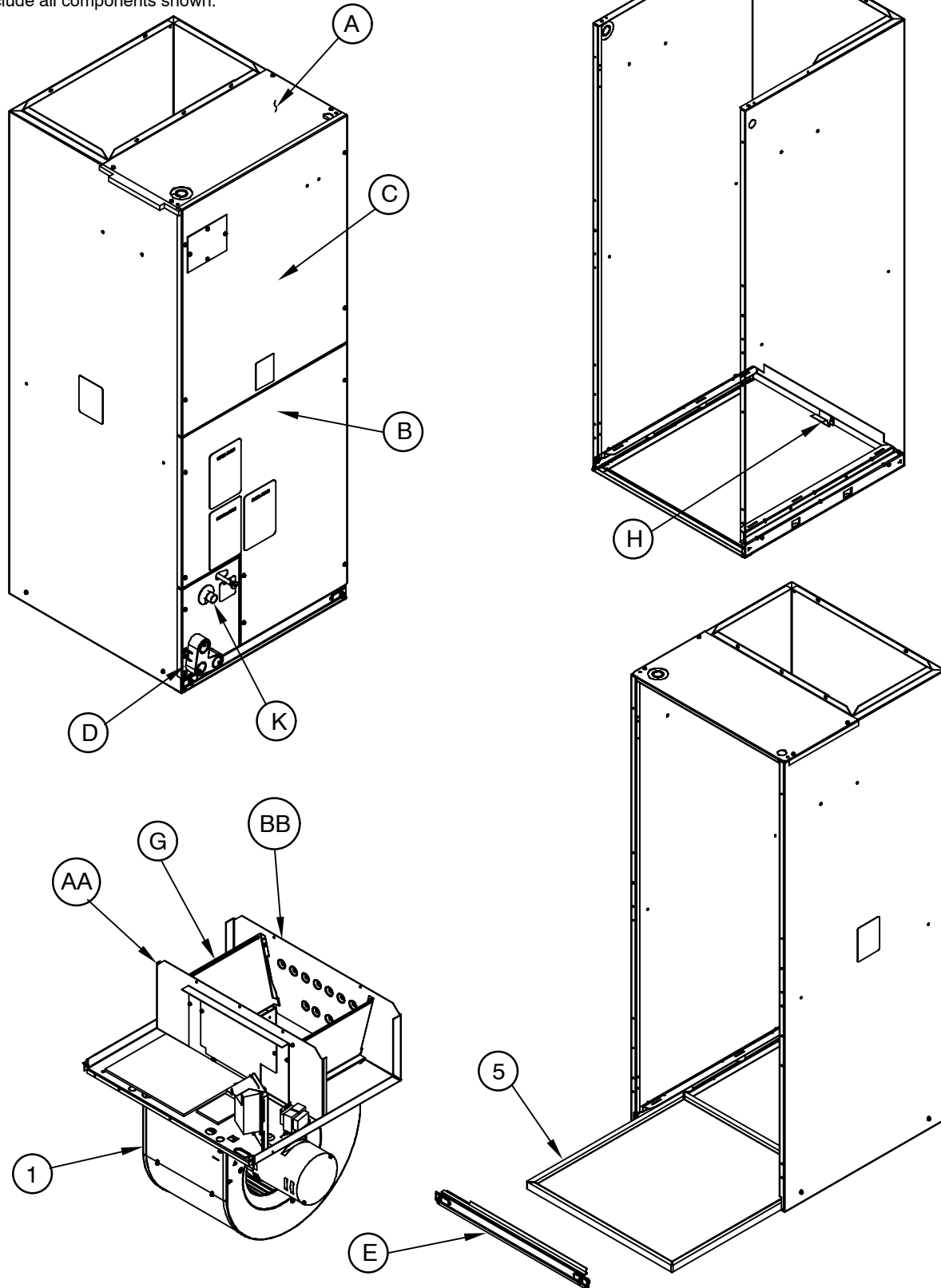
Airflow performance chart was developed using fan coils with 10 kW electric heater (2 elements) in the 1800 – 3600 model sizes, and 15 kW electric heaters (3 elements) in the 4200 – 4800 model sizes.

When using a different number of heater elements, adjust the static pressure numbers by adding or subtracting the values in this table (for a given CFM, more electric heater elements create higher static pressure drop).

Model Size	Heater kW					
	No Heater	3 or 5	8 or 10	9 or 15	20	18, 24, or 30
	Number of Heat Elements					
	0	1	2	3	4	6
1800	+0.02	+0.01	0	-0.02	-0.04	-
2400	+0.02	+0.01	0	-0.02	-0.04	-
3000	+0.02	+0.01	0	-0.02	-0.04	-
3600	+0.02	+0.01	0	-0.02	-0.04	-
4200	+0.04	-	+0.02	0	-0.02	-0.10
4800	+0.04	-	+0.02	0	-0.02	-0.10

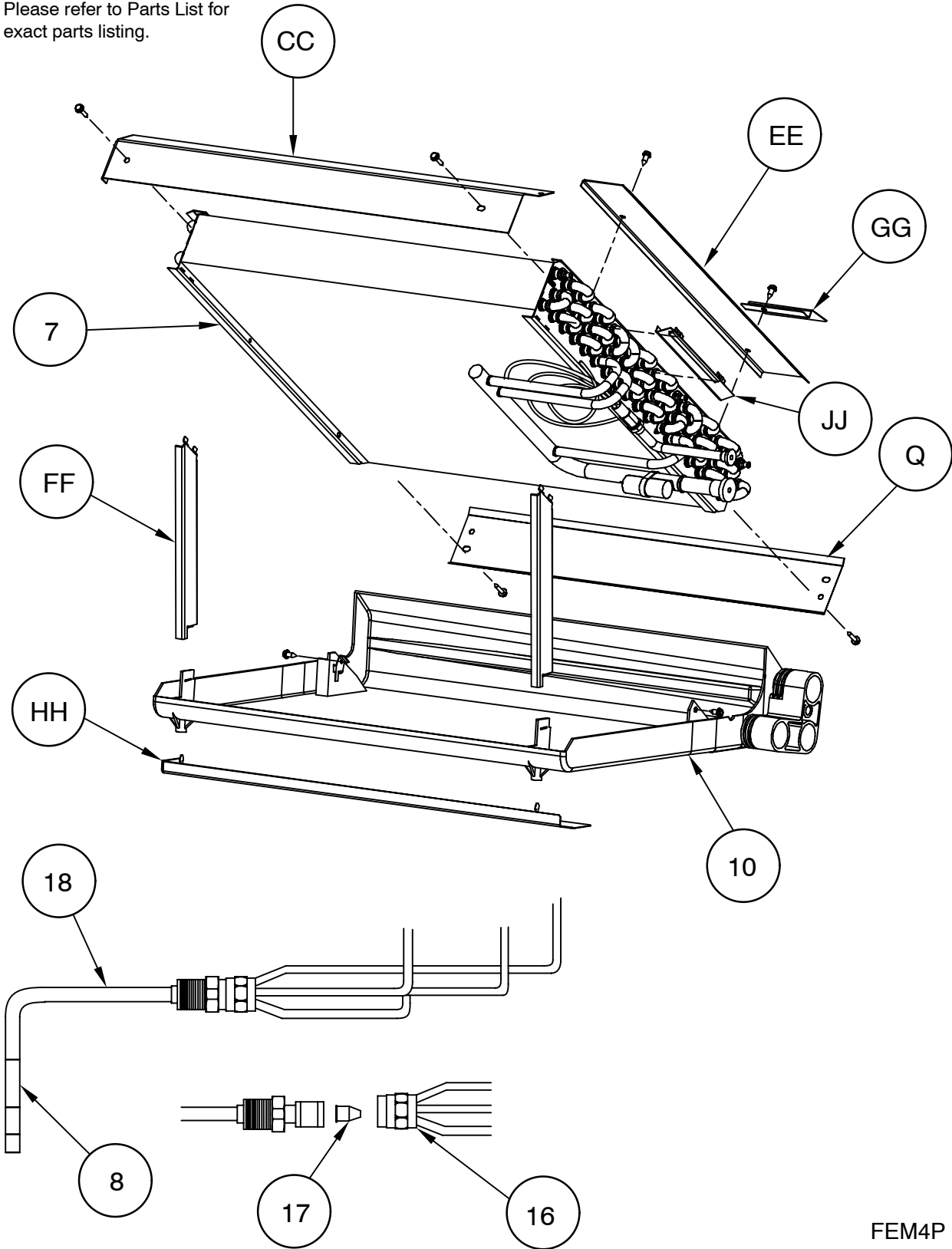
FEM4P, FSM4P, FSU4P

NOTE: This illustration is for reference only. Your unit may differ in appearance or may not include all components shown.



FEM4P

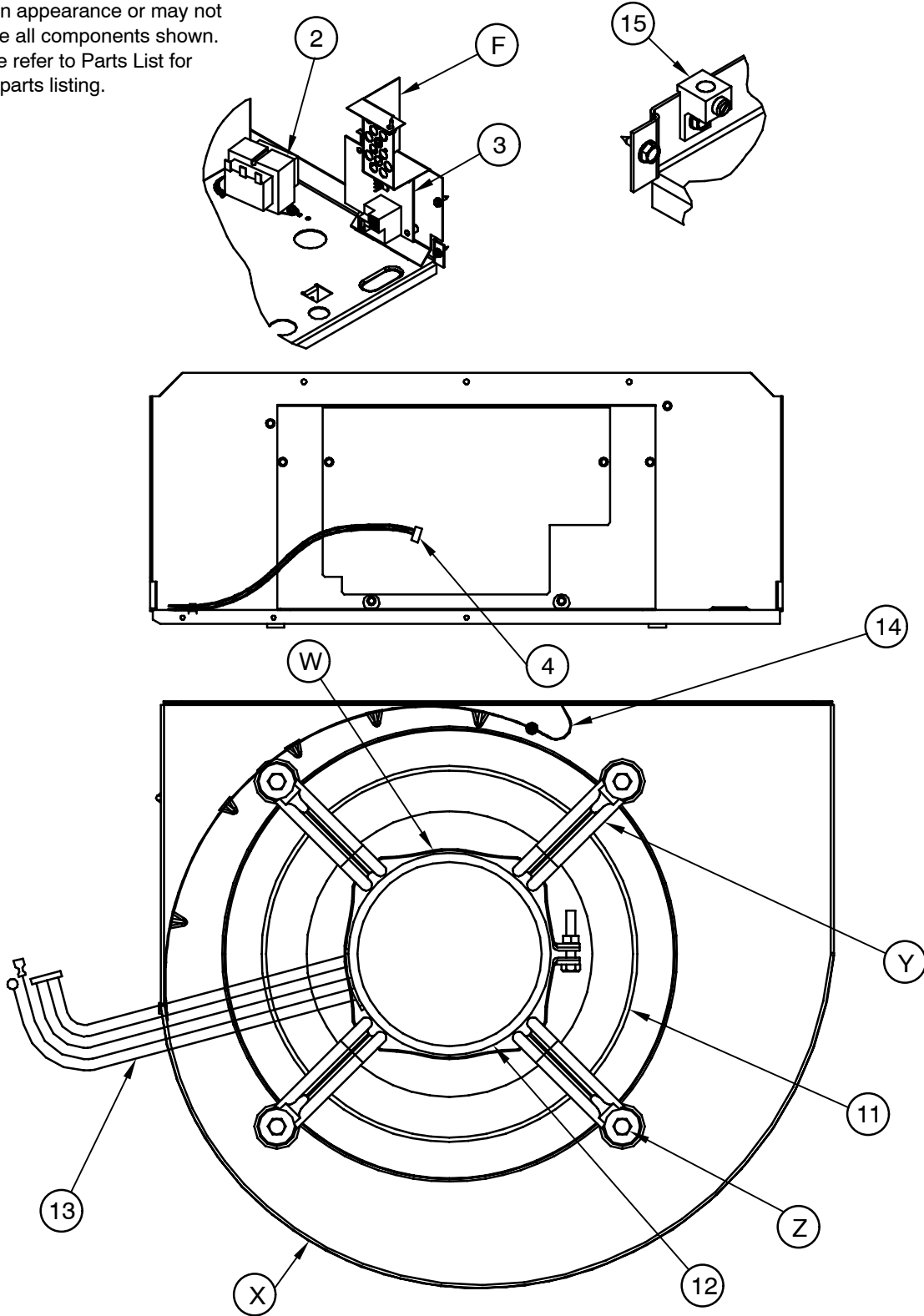
NOTE: This illustration is for reference only. Your unit may differ in appearance or may not include all components shown. Please refer to Parts List for exact parts listing.



FEM4P

FEM4P

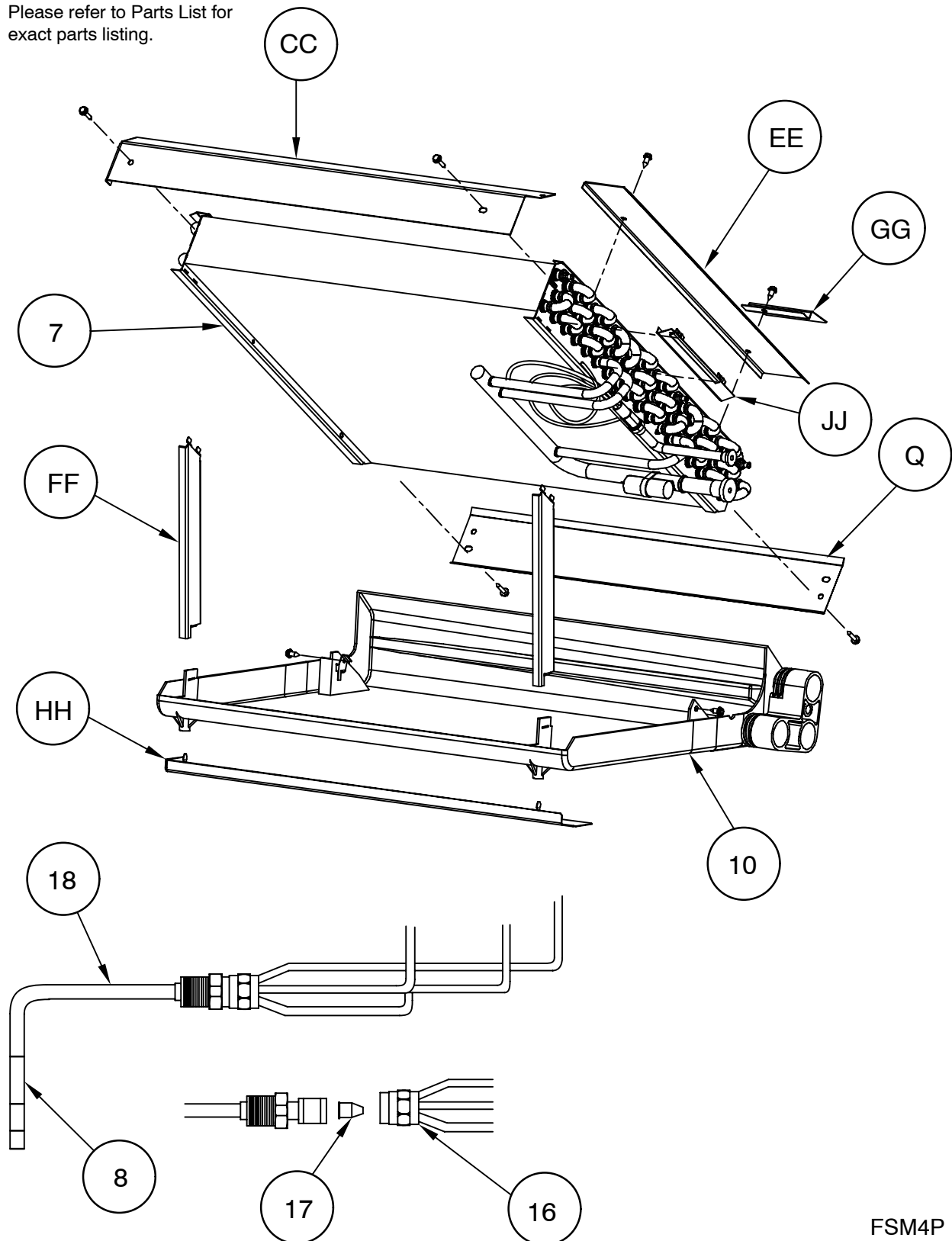
NOTE: This illustration is for reference only. Your unit may differ in appearance or may not include all components shown. Please refer to Parts List for exact parts listing.



FEM4P

FSM4P

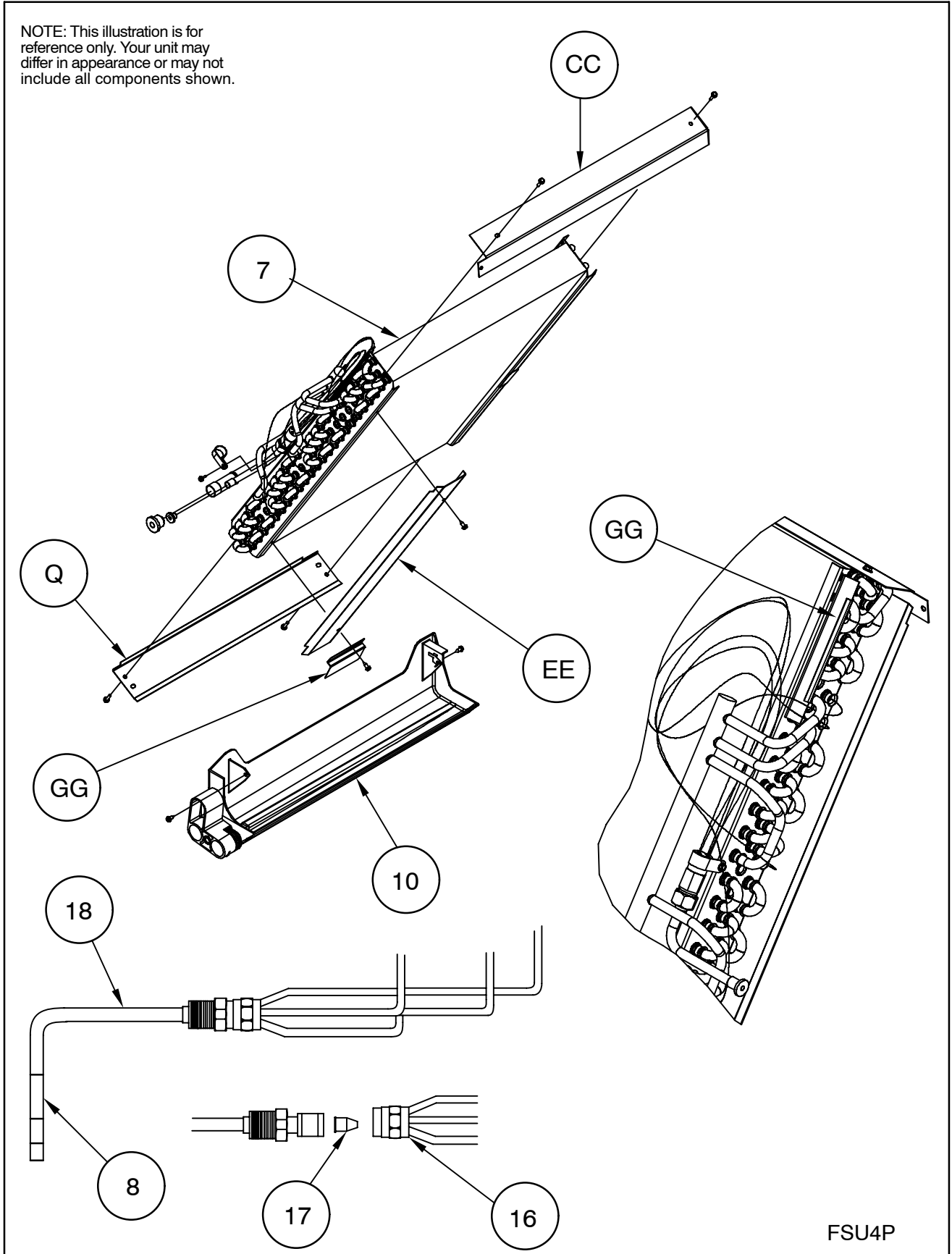
NOTE: This illustration is for reference only. Your unit may differ in appearance or may not include all components shown. Please refer to Parts List for exact parts listing.



FSM4P

FSU4P

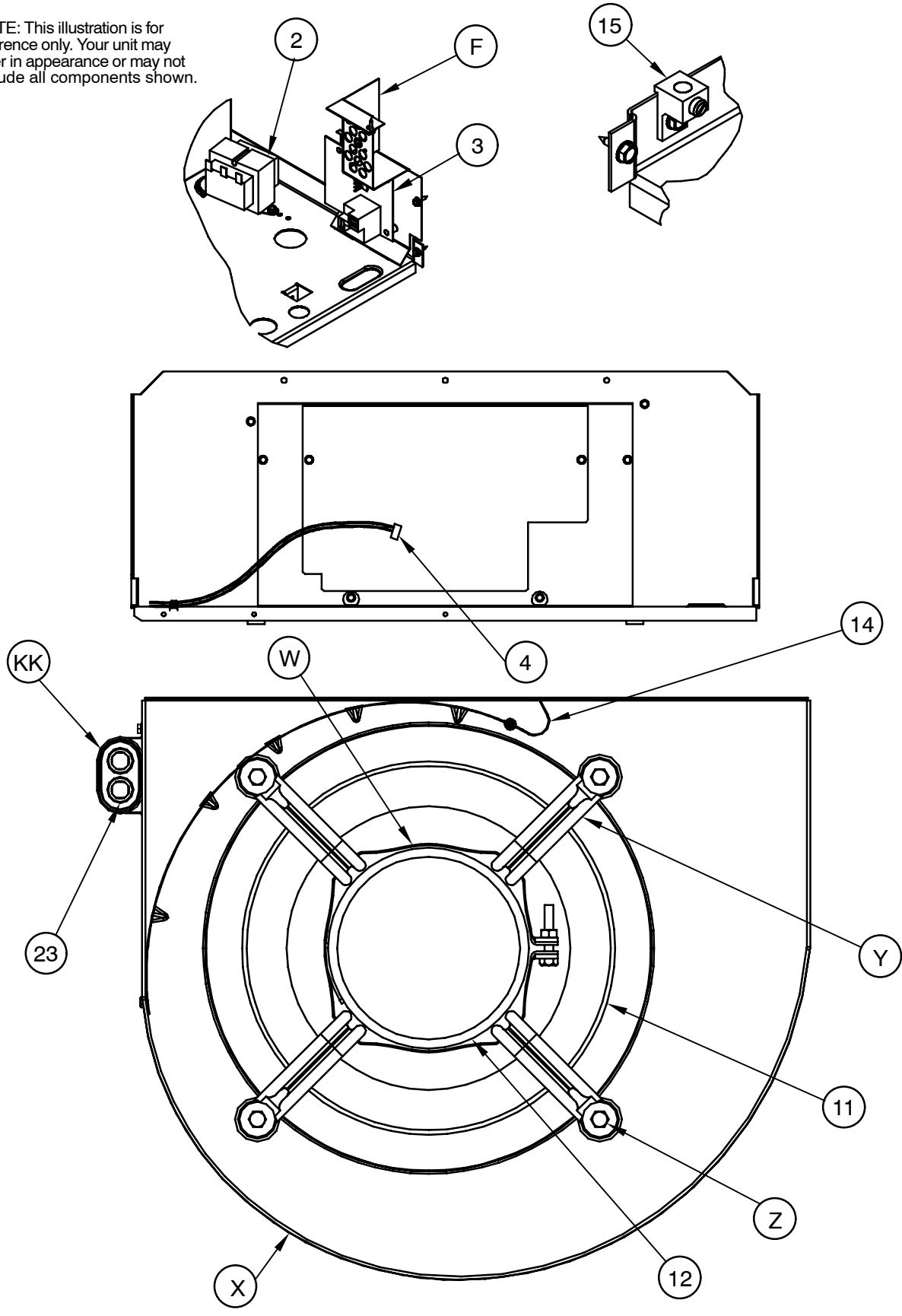
NOTE: This illustration is for reference only. Your unit may differ in appearance or may not include all components shown.



FSU4P

FSM4P, FSU4P

NOTE: This illustration is for reference only. Your unit may differ in appearance or may not include all components shown.



FEM4P*A1 PARTS LIST								
KEY NO.	DESCRIPTION	PART NO.	FEM4P1800A1	FEM4P2400A1	FEM4P3000A1	FEM4P3600A1	FEM4P4200A1	FEM4P4800A1
01	BLOWER ASSY DD9-6	1179652	1	-	-	-	-	-
01	BLOWER ASSY DD9-6	1179653	-	1	-	-	-	-
01	BLOWER ASSY DD10-7	1179654	-	-	1	-	-	-
01	BLOWER ASSY DD10-7	1179655	-	-	-	1	-	-
01	BLOWER ASSY DD10-9	1179656	-	-	-	-	1	-
01	BLOWER ASSY DD11-9	1179657	-	-	-	-	-	1
01	BLOWER ASSY DD11-9	1179658	-	-	-	-	-	-
02	TRANS 208/230>24 40VA	1172028	1	1	1	1	1	1
04	HARNNESS ASSY BLOWER	1171676	1	1	1	1	1	1
05	FILTER HH 21.5X13X1	1172070	1	1	-	-	-	-
05	FILTER HH 21.5X16.375X1	1171652	-	-	1	1	-	-
05	FILTER HH 21.5X19.875X1	1171653	-	-	-	-	1	1
07	KIT REPLACEMENT COIL	1179659	1	-	-	-	-	-
07	KIT REPLACEMENT COIL	1179660	-	1	-	-	-	-
07	KIT REPLACEMENT COIL	1179661	-	-	1	-	-	-
07	KIT REPLACEMENT COIL	1179662	-	-	-	1	-	-
07	KIT REPLACEMENT COIL	1179663	-	-	-	-	1	-
07	KIT REPLACEMENT COIL	1179664	-	-	-	-	-	1
07	KIT REPLACEMENT COIL	1179665	-	-	-	-	-	-
07	COIL & HDR ASSY	1179666	1	-	-	-	-	-
07	COIL & HDR ASSY	1179667	-	1	-	-	-	-
07	COIL & HDR ASSY	1179668	-	-	1	-	-	-
07	COIL & HDR ASSY	1179669	-	-	-	1	-	-
07	COIL & HDR ASSY	1179670	-	-	-	-	1	-
07	COIL & HDR ASSY	1179671	-	-	-	-	-	1
07	COIL & HDR ASSY	1179672	-	-	-	-	-	-
08	STRAINER	1171739	1	1	1	1	1	1
09	PAN DRAIN	1179673	-	-	-	-	1	1
09	PAN DRAIN	1179674	-	-	-	-	-	-
10	CNDS PAN ASY	1179729	1	1	-	-	-	-
10	CNDS PAN ASY	1179730	-	-	1	1	-	-
10	CNDS PAN ASY	1179676	-	-	-	-	1	1
11	WHEEL DD9X6X1/2 CW CV	1171743	1	1	-	-	-	-
11	WHEEL DD10X7X1/2 CW CV	1171745	-	-	1	1	-	-
11	WHEEL DD10X9X1/2 CW CV	1171741	-	-	-	-	1	-
11	WHEEL DD11X9X1/2 CW CV	1171742	-	-	-	-	-	1
12	MTR BLR 1/230 1/3 HP	1179678	1	-	-	-	-	-
12	MTR BLR 1/230 1/2 HP	1179679	-	1	-	-	-	-
12	MTR BLR 1/230 1/3 HP	1179680	-	-	1	-	-	-
12	MTR BLR 1/230 1/2 HP	1179681	-	-	-	1	-	-
12	MTR BLR 1/230 1/2 HP	1179682	-	-	-	-	1	-
12	MTR BLR 1/230 3/4 HP	1179685	-	-	-	-	-	1
12	MTR BLR 1/230 3/4 HP	1179686	-	-	-	-	-	-
13	HARNNESS ASY ECMX FAN COIL	1178976	1	1	1	1	1	1
14	PANEL CUTOFF BLWR	1171570	1	1	-	-	-	-
14	PANEL CUTOFF BLWR	1171567	-	-	1	1	-	-
14	PANEL CUTOFF BLWR	1171568	-	-	-	-	1	-
14	PANEL CUTOFF BLWR	1171572	-	-	-	-	-	1
15	LUG GROUND	1170677	1	1	1	1	1	1
16	DISTRIBUTOR	1173360	1	1	-	-	-	-
16	DISTRIBUTOR	1173094	-	-	1	1	-	-
16	DISTRIBUTOR	1173093	-	-	-	-	1	1
16	DISTRIBUTOR	1173302	-	-	-	-	-	-
17	PISTON .061 W/ TEFLON RING	1179687	1	-	-	-	-	-
17	PISTON .063 W/ TEFLON RING	1179688	-	1	-	-	-	-
17	PISTON .067 W/ TEFLON RING	1179689	-	-	1	-	-	-
17	PISTON .070 W/ TEFLON RING	1179690	-	-	-	1	-	-
17	PISTON .076 W/ TEFLON RING	1179691	-	-	-	-	1	-
17	PISTON .080 W/ TEFLON RING	1179692	-	-	-	-	-	1
17	PISTON .090 W/ TEFLON RING	1179693	-	-	-	-	-	-
18	DISTRIBUTOR ASY	1179694	1	-	-	-	-	-
18	DISTRIBUTOR ASY	1179695	-	1	-	-	-	-
18	DISTRIBUTOR ASY	1179696	-	-	1	-	-	-
18	DISTRIBUTOR ASY	1179697	-	-	-	1	-	-
18	DISTRIBUTOR ASY	1179698	-	-	-	-	1	-
18	DISTRIBUTOR ASY	1179699	-	-	-	-	-	1
18	DISTRIBUTOR ASY	1179700	-	-	-	-	-	-
A	PANEL TOP	1172360	1	1	-	-	-	-
A	PANEL TOP	1172361	-	-	1	1	-	-
A	PANEL TOP	1172362	-	-	-	-	1	1

- continued on next page -

FEM4P*A1 PARTS LIST

KEY NO.	DESCRIPTION	PART NO.	FEM4P1800A1	FEM4P2400A1	FEM4P3000A1	FEM4P3600A1	FEM4P4200A1	FEM4P4800A1
AA	PLATE HEATER	1171583	1	1	-	-	-	-
AA	PLATE HEATER	1171584	-	-	1	1	-	-
AA	PLATE HEATER	1171581	-	-	-	-	1	1
B	DOOR LOWER	1172366	1	1	-	-	-	-
B	DOOR LOWER	1172343	-	-	1	1	-	-
B	DOOR LOWER	1172368	-	-	-	-	1	1
B	DOOR ASSY LOWER	1173795	-	-	-	-	-	-
BB	DECK BLOWER	1171585	1	1	-	-	-	-
BB	DECK BLOWER	1171587	-	-	1	1	-	-
BB	DECK BLOWER	1171588	-	-	-	-	1	1
C	DOOR UPPER	1172373	1	1	-	-	-	-
C	DOOR UPPER	1172374	-	-	1	1	-	-
C	DOOR UPPER	1172346	-	-	-	-	1	1
C	DOOR ASSY UPPER	1173796	-	-	-	-	-	-
CC	BRACKET COIL	1171651	1	1	1	1	-	-
D	DOOR FITTING	1179702	1	1	1	1	-	-
D	DOOR FITTING	1179703	-	-	-	-	1	1
E	DOOR FILTER	1172043	1	1	-	-	-	-
E	DOOR FILTER	1171934	-	-	1	1	-	-
E	DOOR FILTER	1171935	-	-	-	-	1	1
EE	EXTENSION COIL	1171578	1	1	-	-	-	-
EE	EXTENSION COIL	1171579	-	-	1	1	-	-
F	BARRIER LOW VOLTAGE	1171660	1	1	1	1	1	1
FF	SUPPORT COIL	1171665	2	2	-	-	-	-
FF	SUPPORT COIL	1171666	-	-	2	2	-	-
G	BAFFLE DIFFUSER	1171569	2	2	2	2	2	2
GG	BAFFLE COIL	1171644	1	1	1	1	-	-
H	SPRING FILTER	1172554	1	1	1	1	1	1
HH	SUPPORT COND PAN	1171664	1	1	1	1	-	-
J	TUBE DRAIN	1172338	-	-	-	-	1	1
JJ	CHANNEL COND	1171645	1	1	1	1	-	-
K	GROMMET	1172083	1	1	-	-	-	-
K	GROMMET SUCTION	1171622	-	-	1	1	1	1
L	PLUG BUTTON	1173764	-	-	-	-	1	1
LL	FITTING DRAIN	1171636	-	-	-	-	1	1
M	SUPPORT BRACKET	1172636	-	-	-	-	-	-
MM	FITTING DRAIN	1171635	-	-	-	-	1	1
PP	CAP END	1174949	-	-	-	-	1	1
N	BRACKET COIL	1171574	-	-	-	-	2	2
RR	CAP END	1174950	-	-	-	-	1	1
P	BRACKET COIL	1171575	-	-	-	-	2	2
Q	SHIELD COND PAN	1172328	1	1	1	1	2	2
R	AIR SEAL ASY	1171640	-	-	-	-	1	1
R	AIR SEAL ASY	1171641	-	-	-	-	-	-
S	TROUGH CNDS	1171639	-	-	-	-	1	1
S	TROUGH CNDS	1171638	-	-	-	-	-	-
T	TROUGH CNDS	1171637	-	-	-	-	1	1
U	BAFFLE DRIP	1171646	-	-	-	-	2	2
U	BAFFLE DRIP	1171647	-	-	-	-	-	-
V	RING DRIP	1171649	-	-	-	-	1	1
W	BAND MOTOR MOUNT	1171733	1	1	1	1	1	-
W	BAND MTR MOUNT	1171566	-	-	-	-	-	1
X	HOUSING BLOWER FAN	1177148	1	1	-	-	-	-
X	HOUSING BLOWER FAN	1177067	-	-	1	1	-	-
X	HOUSING BLOWER FAN	1177068	-	-	-	-	1	-
X	HOUSING BLOWER FAN	1177069	-	-	-	-	-	1
Y	ARM & GROM ASSY	1173747	3	3	3	3	-	-
Y	ARM & GROM ASSY	1173746	-	-	-	-	3	-
Y	ARM & GROM ASSY	1173791	-	-	-	-	-	4
Z	SCREW	1170636	3	3	3	3	3	4
PARTS NOT SHOWN								
))(FUSE 3A	1179701	1	1	1	1	1	1
))(GROMMET	1171737	1	1	1	1	1	1
))(GROMMET LIQUID	1171620	1	1	1	1	1	1
))(PAINT DARK GREY 16OZ AEROSOL	1171357	1	1	1	1	1	1

FEM4P*AT1 PARTS LIST								
KEY NO.	DESCRIPTION	PART NO.	FEM4P1800AT1	FEM4P2400AT1	FEM4P3000AT1	FEM4P3600AT1	FEM4P4200AT1	FEM4P4800AT1
01	BLOWER ASSY DD9-6	1179652	1	-	-	-	-	-
01	BLOWER ASSY DD9-6	1179653	-	1	-	-	-	-
01	BLOWER ASSY DD10-7	1179654	-	-	1	-	-	-
01	BLOWER ASSY DD10-7	1179655	-	-	-	1	-	-
01	BLOWER ASSY DD10-9	1179656	-	-	-	-	1	-
01	BLOWER ASSY DD11-9	1179657	-	-	-	-	-	1
01	BLOWER ASSY DD11-9	1179658	-	-	-	-	-	-
02	TRANS 208/230>24 40VA	1172028	1	1	1	1	1	1
04	HARNESS ASSY BLOWER	1171676	1	1	1	1	1	1
05	FILTER HH 21.5X13X1	1172070	1	1	-	-	-	-
05	FILTER HH 21.5X16.375X1	1171652	-	-	1	1	-	-
05	FILTER HH 21.5X19.875X1	1171653	-	-	-	-	1	1
06	TXV	1183311	-	-	-	-	-	-
07	COIL & HDR ASSY	1183362	1	-	-	-	-	-
07	COIL & HDR ASSY	1183363	-	1	-	-	-	-
07	COIL & HDR ASSY	1183364	-	-	1	-	-	-
07	COIL & HDR ASSY	1183365	-	-	-	1	-	-
07	COIL & HDR ASSY	1183366	-	-	-	-	1	-
07	COIL & HDR ASSY	1183367	-	-	-	-	-	1
07	COIL & HDR ASSY	1183368	-	-	-	-	-	-
08	STRAINER	1171739	1	1	1	1	1	1
08	STRAINER	1171740	-	-	-	-	-	-
09	PAN DRAIN	1179673	-	-	-	-	1	1
09	PAN DRAIN	1179674	-	-	-	-	-	-
10	CNDS PAN ASY	1179729	1	1	-	-	-	-
10	CNDS PAN ASY	1179730	-	-	1	1	-	-
10	CNDS PAN ASY	1179676	-	-	-	-	1	1
11	WHEEL DD9X6X1/2 CW CV	1171743	1	1	-	-	-	-
11	WHEEL DD10X7X1/2 CW CV	1171745	-	-	1	1	-	-
11	WHEEL DD10X9X1/2 CW CV	1171741	-	-	-	-	1	-
11	WHEEL DD11X9X1/2 CW CV	1171742	-	-	-	-	-	1
12	MTR BLR 1/230 1/3 HP	1179678	1	-	-	-	-	-
12	MTR BLR 1/230 1/2 HP	1179679	-	1	-	-	-	-
12	MTR BLR 1/230 1/3 HP	1179680	-	-	1	-	-	-
12	MTR BLR 1/230 1/2 HP	1179681	-	-	-	1	-	-
12	MTR BLR 1/230 1/2 HP	1179682	-	-	-	-	1	-
12	MTR BLR 1/230 3/4 HP	1179685	-	-	-	-	-	1
12	MTR BLR 1/230 3/4 HP	1179686	-	-	-	-	-	-
13	HARNESS ASY ECMX FAN COIL	1178976	1	1	1	1	1	1
14	PANEL CUTOFF BLWR	1171570	1	1	-	-	-	-
14	PANEL CUTOFF BLWR	1171567	-	-	1	1	-	-
14	PANEL CUTOFF BLWR	1171568	-	-	-	-	1	-
14	PANEL CUTOFF BLWR	1171572	-	-	-	-	-	1
15	LUG GROUND	1170677	1	1	1	1	1	1
16	DISTRIBUTOR	1173360	1	1	-	-	-	-
16	DISTRIBUTOR	1173094	-	-	1	1	-	-
16	DISTRIBUTOR	1173093	-	-	-	-	1	1
16	DISTRIBUTOR ASY	1171606	-	-	-	-	-	-
17	PISTON .052 W/ TEFLON RING	1179943	1	-	-	-	-	-
17	PISTON .057 W/ TEFLON RING	1179944	-	1	-	-	-	-
17	PISTON .067 W/ TEFLON RING	1179689	-	-	1	-	-	-
17	PISTON .070 W/ TEFLON RING	1179690	-	-	-	1	-	-
17	PISTON .076 W/ TEFLON RING	1179691	-	-	-	-	1	-
17	PISTON .080 W/ TEFLON RING	1179692	-	-	-	-	-	1
18	DISTRIBUTOR ASY	1183315	1	-	-	-	-	-
18	DISTRIBUTOR ASY	1183316	-	1	-	-	-	-
18	DISTRIBUTOR ASY	1179696	-	-	1	-	-	-
18	DISTRIBUTOR ASY	1179697	-	-	-	1	-	-
18	DISTRIBUTOR ASY	1179698	-	-	-	-	1	-
18	DISTRIBUTOR ASY	1179699	-	-	-	-	-	1
A	PANEL TOP	1172360	1	1	-	-	-	-
A	PANEL TOP	1172361	-	-	1	1	-	-
A	PANEL TOP	1172362	-	-	-	-	1	1
AA	PLATE HEATER	1171583	1	1	-	-	-	-
AA	PLATE HEATER	1171584	-	-	1	1	-	-
AA	PLATE HEATER	1171581	-	-	-	-	1	1
B	DOOR LOWER	1172366	1	1	-	-	-	-
B	DOOR LOWER	1172343	-	-	1	1	-	-
B	DOOR LOWER	1172368	-	-	-	-	1	1
B	DOOR ASSY LOWER	1173795	-	-	-	-	-	-

- continued on next page -

FEM4P*AT1 PARTS LIST

KEY NO.	DESCRIPTION	PART NO.	FEM4P1800AT1	FEM4P2400AT1	FEM4P3000AT1	FEM4P3600AT1	FEM4P4200AT1	FEM4P4800AT1
BB	DECK BLOWER	1171585	1	1	-	-	-	-
BB	DECK BLOWER	1171587	-	-	1	1	-	-
BB	DECK BLOWER	1171588	-	-	-	-	1	1
C	DOOR UPPER	1172373	1	1	-	-	-	-
C	DOOR UPPER	1172374	-	-	1	1	-	-
C	DOOR UPPER	1172346	-	-	-	-	1	1
C	DOOR ASSY UPPER	1173796	-	-	-	-	-	-
CC	BRACKET COIL	1171651	1	1	1	1	-	-
D	DOOR FITTING	1179702	1	1	1	1	-	-
D	DOOR FITTING	1179703	-	-	-	-	1	1
E	DOOR FILTER	1172043	1	1	-	-	-	-
E	DOOR FILTER	1171934	-	-	1	1	-	-
E	DOOR FILTER	1171935	-	-	-	-	1	1
EE	EXTENSION COIL	1171578	1	1	-	-	-	-
EE	EXTENSION COIL	1171579	-	-	1	1	-	-
F	BARRIER LOW VOLTAGE	1171660	1	1	1	1	1	1
FF	SUPPORT COIL	1171665	2	2	-	-	-	-
FF	SUPPORT COIL	1171666	-	-	2	2	-	-
G	BAFFLE DIFFUSER	1171569	2	2	2	2	2	2
GG	BAFFLE COIL	1171644	1	1	1	1	-	-
H	SPRING FILTER	1172554	1	1	1	1	1	1
HH	SUPPORT COND PAN	1171664	1	1	1	1	-	-
J	TUBE DRAIN	1172337	-	-	-	-	1	1
JJ	CHANNEL COND	1171645	1	1	1	1	-	-
K	GROMMET	1172083	1	1	-	-	-	-
K	GROMMET SUCTION	1171622	-	-	1	1	1	1
L	PLUG BUTTON	1173764	-	-	-	-	1	1
LL	FITTING DRAIN	1171636	-	-	-	-	1	1
M	SUPPORT BRACKET	1172636	-	-	-	-	-	-
MM	FITTING DRAIN	1171635	-	-	-	-	1	1
N	BRACKET COIL	1171574	-	-	-	-	2	2
P	BRACKET COIL	1171575	-	-	-	-	2	2
PP	CAP END	1174949	-	-	-	-	1	1
Q	SHIELD COND PAN	1172328	1	1	1	1	2	2
R	AIR SEAL ASY	1171640	-	-	-	-	1	1
R	AIR SEAL ASY	1171641	-	-	-	-	-	-
RR	CAP END	1174950	-	-	-	-	1	1
S	TROUGH CNDS	1171639	-	-	-	-	1	1
S	TROUGH CNDS	1171638	-	-	-	-	-	-
T	TROUGH CNDS	1171637	-	-	-	-	1	1
U	BAFFLE DRIP	1171646	-	-	-	-	2	2
U	BAFFLE DRIP	1171647	-	-	-	-	-	-
V	RING DRIP	1171649	-	-	-	-	1	1
W	BAND MOTOR MOUNT	1171733	1	1	1	1	1	-
W	BAND MTR MOUNT	1171566	-	-	-	-	-	1
X	HOUSING BLR REPLACEMENT KIT	1183113	1	-	-	-	-	-
X	HOUSING BLR REPLACEMENT KIT	1183114	-	1	-	-	-	-
X	HOUSING BLR REPLACEMENT KIT	1183115	-	-	1	-	-	-
X	HOUSING BLR REPLACEMENT KIT	1183116	-	-	-	1	-	-
X	HOUSING BLR REPLACEMENT KIT	1183117	-	-	-	-	1	-
X	HOUSING BLR REPLACEMENT KIT	1183118	-	-	-	-	-	1
X	HOUSING BLR REPLACEMENT KIT	1183119	-	-	-	-	-	-
Y	ARM & GROM ASSY	1173747	3	3	3	3	-	-
Y	ARM & GROM ASSY	1173746	-	-	-	-	3	-
Y	ARM & GROM ASSY	1173791	-	-	-	-	-	4
Z	SCREW	1170636	3	3	3	3	3	4
PARTS NOT SHOWN								
)	FUSE 3A	1179701	1	1	1	1	1	1
)	GROMMET	1171737	1	1	1	1	1	1
)	GROMMET LIQUID	1171620	1	1	1	1	1	1
)	PAINT DARK GREY 16OZ AEROSOL	1171357	1	1	1	1	1	1

FSM4P*A1 PARTS LIST

KEY NO.	DESCRIPTION	PART NO.	FSM4P1800A1	FSM4P2400A1	FSM4P3000A1	FSM4P3600A1	FSM4P4200A1	FSM4P4800A1
01	BLOWER ASSY DD9-7	1179916	1	-	-	-	-	-
01	BLOWER ASSY DD10-7	1179918	-	1	-	-	-	-
01	BLOWER ASSY DD10-9	1179920	-	-	1	-	-	-
01	BLOWER ASSY DD11-9	1179922	-	-	-	1	-	-
01	BLOWER ASSY DD11-9	1179924	-	-	-	-	1	-
01	BLOWER ASSY DD11-9	1179926	-	-	-	-	-	1
02	TRANS 208/230>24 40VA	1172028	1	1	1	1	1	1
03	BOARD CIRCUIT W/TDR	1171734	1	1	1	1	1	1
04	HARNESS ASSY BLOWER	1171676	1	1	1	1	1	1
05	FILTER HH 21.5X16.375X1	1171652	1	1	-	-	-	-
05	FILTER HH 21.5X19.875X1	1171653	-	-	1	1	1	-
05	FILTER HH 21.5X23.3125X1	1171654	-	-	-	-	-	1
07	COIL & HDR ASSY	1179928	1	-	-	-	-	-
07	COIL & HDR ASSY	1179930	-	1	-	-	-	-
07	COIL & HDR ASSY	1179932	-	-	1	-	-	-
07	COIL & HDR ASSY	1179934	-	-	-	1	-	-
07	COIL & HDR ASSY	1179936	-	-	-	-	1	-
07	COIL & HDR ASSY	1179938	-	-	-	-	-	1
08	STRAINER	1171739	1	1	1	1	1	1
09	PAN DRAIN	1179673	-	-	-	-	1	-
09	PAN DRAIN	1179674	-	-	-	-	-	1
10	CNDS PAN ASY	1179730	1	1	-	-	-	-
10	CNDS PAN ASY	1179731	-	-	1	1	-	-
10	CNDS PAN ASY	1179676	-	-	-	-	1	-
10	CNDS PAN ASY	1179677	-	-	-	-	-	1
11	WHEEL DD9X7X1/2 CW CV	1171744	1	-	-	-	-	-
11	WHEEL DD10X7X1/2 CW CV	1171745	-	1	-	-	-	-
11	WHEEL DD10X9X1/2 CW CV	1171741	-	-	1	-	-	-
11	WHEEL DD11X9X1/2 CW CV	1171742	-	-	-	1	1	1
12	MTR BLR 1/230 1/6 HP	1179949	1	-	-	-	-	-
12	MTR BLR 1/230 1/4 HP	1179950	-	1	-	-	-	-
12	MTR BLR 1/230 1/3 HP	1179951	-	-	1	-	-	-
12	MTR BLR 1/230 1/3 HP	1179952	-	-	-	1	-	-
12	MTR BLR 1/230 1/2 HP	1179953	-	-	-	-	1	-
12	MTR BLR 1/230 1/2 HP	1179954	-	-	-	-	-	1
14	PANEL CUTOFF BLWR	1171571	1	-	-	-	-	-
14	PANEL CUTOFF BLWR	1171567	-	1	-	-	-	-
14	PANEL CUTOFF BLWR	1171568	-	-	1	-	-	-
14	PANEL CUTOFF BLWR	1171572	-	-	-	1	1	1
15	LUG GROUND	1170677	1	1	1	1	1	1
16	DISTRIBUTOR	1173094	1	-	-	-	-	-
16	DISTRIBUTOR	1179945	-	1	1	1	-	-
16	DISTRIBUTOR	1173093	-	-	-	-	1	-
16	DISTRIBUTOR	1173302	-	-	-	-	-	1
17	PISTON .052 W/ TEFLON RING	1179943	1	-	-	-	-	-
17	PISTON .057 W/ TEFLON RING	1179944	-	1	-	-	-	-
17	PISTON .067 W/ TEFLON RING	1179689	-	-	1	-	-	-
17	PISTON .070 W/ TEFLON RING	1179690	-	-	-	1	-	-
17	PISTON .076 W/ TEFLON RING	1179691	-	-	-	-	1	-
17	PISTON .080 W/ TEFLON RING	1179692	-	-	-	-	-	1
18	DISTRIBUTOR ASY	1179939	1	-	-	-	-	-
18	DISTRIBUTOR ASY	1179940	-	1	-	-	-	-
18	DISTRIBUTOR ASY	1179941	-	-	1	-	-	-
18	DISTRIBUTOR ASY	1179942	-	-	-	1	-	-
18	DISTRIBUTOR ASY	1179698	-	-	-	-	1	-
18	DISTRIBUTOR ASY	1179955	-	-	-	-	-	1
23	CAP RN OV 370V 5	1171727	1	-	-	-	-	-
23	CAP RN OV 370V 15	1171730	-	1	1	1	1	1
A	PANEL TOP	1172334	1	1	-	-	-	-
A	PANEL TOP	1172335	-	-	1	1	-	-
A	PANEL TOP	1172363	-	-	-	-	1	-
A	PANEL TOP	1172336	-	-	-	-	-	1
AA	PLATE HEATER	1171584	1	1	-	-	-	-
AA	PLATE HEATER	1171581	-	-	1	1	1	-
AA	PLATE HEATER	1171582	-	-	-	-	-	1
B	DOOR LOWER	1172343	1	1	-	-	-	-
B	DOOR LOWER	1172340	-	-	1	1	-	-
B	DOOR LOWER	1172368	-	-	-	-	1	-
B	DOOR LOWER	1179946	-	-	-	-	-	1
BB	DECK BLOWER	1171586	1	-	-	-	-	-

- continued on next page -

FSM4P*A1 PARTS LIST

KEY NO.	DESCRIPTION	PART NO.	FSM4P1800A1	FSM4P2400A1	FSM4P3000A1	FSM4P3600A1	FSM4P4200A1	FSM4P4800A1
BB	DECK BLOWER	1171587	-	1	-	-	-	-
BB	DECK BLOWER	1171588	-	-	1	1	1	-
BB	DECK BLOWER	1171589	-	-	-	-	-	1
C	DOOR UPPER	1172345	1	-	-	-	-	-
C	DOOR UPPER	1172374	-	1	-	-	-	-
C	DOOR UPPER	1172346	-	-	1	1	-	-
C	DOOR UPPER	1172375	-	-	-	-	1	-
C	DOOR UPPER	1179947	-	-	-	-	-	1
CC	BRACKET COIL	1171651	1	1	1	-	-	-
CC	BRACKET COIL	1171650	-	-	-	1	-	-
D	DOOR FITTING	1179702	1	1	1	1	-	-
D	DOOR FITTING	1179703	-	-	-	-	1	1
E	DOOR FILTER	1171934	1	1	-	-	-	-
E	DOOR FILTER	1171935	-	-	1	1	1	-
E	DOOR FILTER	1171936	-	-	-	-	-	1
EE	EXTENSION COIL	1171579	1	1	-	-	-	-
EE	EXTENSION COIL	1171580	-	-	1	1	-	-
F	BARRIER LOW VOLTAGE	1171660	1	1	1	1	1	1
FF	SUPPORT COIL	1171666	2	2	-	-	-	-
FF	SUPPORT COIL	1171667	-	-	2	1	-	-
G	BAFFLE DIFFUSER	1171569	2	2	2	2	2	2
GG	BAFFLE COIL	1171644	1	1	1	1	-	-
H	SPRING FILTER	1172554	1	1	1	1	1	1
HH	SUPPORT COND PAN	1171664	1	1	1	1	-	-
J	TUBE DRAIN	1172338	-	-	-	-	1	1
JJ	CHANNEL COND	1171645	1	1	1	1	-	-
K	GROMMET	1172083	1	1	-	-	-	-
K	GROMMET SUCTION	1171622	-	-	1	1	1	1
KK	STRAP CAPACITOR	1171694	1	1	1	1	1	1
L	PLUG BUTTON	1173764	-	-	-	-	1	1
LL	FITTING DRAIN	1171636	-	-	-	-	1	1
MM	FITTING DRAIN	1171635	-	-	-	-	1	1
PP	CAP END	1174949	-	-	-	-	1	1
N	BRACKET COIL	1171574	-	-	-	-	2	2
RR	CAP END	1174950	-	-	-	-	1	1
P	BRACKET COIL	1171575	-	-	-	-	2	2
Q	SHIELD COND PAN	1172328	1	1	1	1	2	2
R	AIR SEAL ASY	1171640	-	-	-	-	1	1
S	TROUGH CNDS	1171639	-	-	-	-	1	-
S	TROUGH CNDS	1171638	-	-	-	-	-	1
T	TROUGH CNDS	1171637	-	-	-	-	1	1
U	BAFFLE DRIP	1171646	-	-	-	-	2	-
U	BAFFLE DRIP	1171647	-	-	-	-	-	2
V	RING DRIP	1171649	-	-	-	-	1	1
W	BAND MOTOR MOUNT	1171733	1	1	1	-	-	-
W	BAND MTR MOUNT	1171566	-	-	-	1	1	1
X	HOUSING BLR REPLACEMENT KIT	1179911	1	-	-	-	-	-
X	HOUSING BLR REPLACEMENT KIT	1179912	-	1	-	-	-	-
X	HOUSING BLR REPLACEMENT KIT	1179913	-	-	1	-	-	-
X	HOUSING BLR REPLACEMENT KIT	1179914	-	-	-	1	1	1
Y	ARM & GROM ASSY	1173747	3	-	-	-	-	-
Y	ARM & GROM ASSY	1179948	-	3	-	-	-	-
Y	ARM & GROM ASSY	1173746	-	-	3	-	-	-
Y	ARM & GROM ASSY	1173791	-	-	-	4	4	4
Z	SCREW	1170636	3	3	3	4	4	4
PARTS NOT SHOWN								
)	(HARNESS ASSY UNIT	1171698	1	1	1	1	1
)	(FUSE	1171735	1	1	1	1	1
)	(GROMMET	1171737	1	1	1	1	1
)	(GROMMET LIQUID	1171620	1	1	1	1	1
)	(PAINT DARK GREY 16OZ AEROSOL S	1171357	1	1	1	1	1

FSM4P*AT1 PARTS LIST

KEY NO.	DESCRIPTION	PART NO.	FSM4P1800AT1	FSM4P2400AT1	FSM4P3000AT1	FSM4P3600AT1	FSM4P4200AT1	FSM4P4800AT1
01	BLOWER ASSY DD9-7	1179916	1	-	-	-	-	-
01	BLOWER ASSY DD10-7	1179918	-	1	-	-	-	-
01	BLOWER ASSY DD10-9	1179920	-	-	1	-	-	-
01	BLOWER ASSY DD11-9	1179922	-	-	-	1	-	-
01	BLOWER ASSY DD11-9	1179924	-	-	-	-	1	-
01	BLOWER ASSY DD11-9	1179926	-	-	-	-	-	1
02	TRANS 208/230>24 40VA	1172028	1	1	1	1	1	1
03	BOARD CIRCUIT W/DR	1171734	1	1	1	1	1	1
04	HARNESS ASSY BLOWER	1171676	1	1	1	1	1	1
05	FILTER HH 21.5X16.375X1	1171652	1	1	-	-	-	-
05	FILTER HH 21.5X19.875X1	1171653	-	-	1	1	1	-
05	FILTER HH 21.5X23.3125X1	1171654	-	-	-	-	-	1
07	COIL & HDR ASSY	1183376	1	-	-	-	-	-
07	COIL & HDR ASSY	1183377	-	1	-	-	-	-
07	COIL & HDR ASSY	1183378	-	-	1	-	-	-
07	COIL & HDR ASSY	1183379	-	-	-	1	-	-
07	COIL & HDR ASSY	1183380	-	-	-	-	1	-
07	COIL & HDR ASSY	1183381	-	-	-	-	-	1
08	STRAINER	1171739	1	1	1	1	1	1
09	PAN DRAIN	1179673	-	-	-	-	1	-
09	PAN DRAIN	1179674	-	-	-	-	-	1
10	CNDS PAN ASY	1179730	1	1	-	-	-	-
10	CNDS PAN ASY	1179731	-	-	1	1	-	-
10	CNDS PAN ASY	1179676	-	-	-	-	1	-
10	CNDS PAN ASY	1179677	-	-	-	-	-	1
11	WHEEL DD9X7X1/2 CW CV	1171744	1	-	-	-	-	-
11	WHEEL DD10X7X1/2 CW CV	1171745	-	1	-	-	-	-
11	WHEEL DD10X9X1/2 CW CV	1171741	-	-	1	-	-	-
11	WHEEL DD11X9X1/2 CW CV	1171742	-	-	-	1	1	1
12	MTR BLR 1/230 1/6 HP	1179949	1	-	-	-	-	-
12	MTR BLR 1/230 1/4 HP	1179950	-	1	-	-	-	-
12	MTR BLR 1/230 1/3 HP	1179951	-	-	1	-	-	-
12	MTR BLR 1/230 1/3 HP	1179952	-	-	-	1	-	-
12	MTR BLR 1/230 1/2 HP	1179953	-	-	-	-	1	-
12	MTR BLR 1/230 1/2 HP	1179954	-	-	-	-	-	1
14	PANEL CUTOFF BLWR	1171571	1	-	-	-	-	-
14	PANEL CUTOFF BLWR	1171567	-	1	-	-	-	-
14	PANEL CUTOFF BLWR	1171568	-	-	1	-	-	-
14	PANEL CUTOFF BLWR	1171572	-	-	-	1	1	1
15	LUG GROUND	1170677	1	1	1	1	1	1
16	DISTRIBUTOR	1173094	1	-	-	-	-	-
16	DISTRIBUTOR	1179945	-	1	1	1	-	-
16	DISTRIBUTOR	1173093	-	-	-	-	1	-
16	DISTRIBUTOR	1173302	-	-	-	-	-	1
17	PISTON .052 W/ TEFLON RING	1179943	1	-	-	-	-	-
17	PISTON .057 W/ TEFLON RING	1179944	-	1	-	-	-	-
17	PISTON .067 W/ TEFLON RING	1179689	-	-	1	-	-	-
17	PISTON .070 W/ TEFLON RING	1179690	-	-	-	1	-	-
17	PISTON .076 W/ TEFLON RING	1179691	-	-	-	-	1	-
17	PISTON .080 W/ TEFLON RING	1179692	-	-	-	-	-	1
18	DISTRIBUTOR ASY	1179939	1	-	-	-	-	-
18	DISTRIBUTOR ASY	1179940	-	1	-	-	-	-
18	DISTRIBUTOR ASY	1179941	-	-	1	-	-	-
18	DISTRIBUTOR ASY	1179942	-	-	-	1	-	-
18	DISTRIBUTOR ASY	1179698	-	-	-	-	1	-
18	DISTRIBUTOR ASY	1179955	-	-	-	-	-	1
23	CAP RN OV 370V 5	1171727	1	-	-	-	-	-
23	CAP RN OV 370V 15	1171730	-	1	1	1	1	1
A	PANEL TOP	1172334	1	1	-	-	-	-
A	PANEL TOP	1172335	-	-	1	1	-	-
A	PANEL TOP	1172363	-	-	-	-	1	-
A	PANEL TOP	1172336	-	-	-	-	-	1
AA	PLATE HEATER	1171584	1	1	-	-	-	-
AA	PLATE HEATER	1171581	-	-	1	1	1	-
AA	PLATE HEATER	1171582	-	-	-	-	-	1
B	DOOR LOWER	1172343	1	1	-	-	-	-
B	DOOR LOWER	1172340	-	-	1	1	-	-
B	DOOR LOWER	1172368	-	-	-	-	1	-
B	DOOR LOWER	1179946	-	-	-	-	-	1
BB	DECK BLOWER	1171586	1	-	-	-	-	-
BB	DECK BLOWER	1171587	-	1	-	-	-	-

- continued on next page -

FSM4P*AT1 PARTS LIST

KEY NO.	DESCRIPTION	PART NO.	FSM4P1800AT1	FSM4P2400AT1	FSM4P3000AT1	FSM4P3600AT1	FSM4P4200AT1	FSM4P4800AT1
BB	DECK BLOWER	1171588	-	-	1	1	1	-
BB	DECK BLOWER	1171589	-	-	-	-	-	1
C	DOOR UPPER	1172345	1	-	-	-	-	-
C	DOOR UPPER	1172374	-	1	-	-	-	-
C	DOOR UPPER	1172346	-	-	1	1	-	-
C	DOOR UPPER	1172375	-	-	-	-	1	-
C	DOOR UPPER	1179947	-	-	-	-	-	1
CC	BRACKET COIL	1171651	1	1	-	-	-	-
CC	BRACKET COIL	1171650	-	-	1	1	-	-
D	DOOR FITTING	1179702	1	1	1	1	-	-
D	DOOR FITTING	1179703	-	-	-	-	1	1
E	DOOR FILTER	1171934	1	1	-	-	-	-
E	DOOR FILTER	1171935	-	-	1	1	1	-
E	DOOR FILTER	1171936	-	-	-	-	-	1
EE	EXTENSION COIL	1171579	1	1	-	-	-	-
EE	EXTENSION COIL	1171580	-	-	1	1	-	-
F	BARRIER LOW VOLTAGE	1171660	1	1	1	1	1	1
FF	SUPPORT COIL	1171666	2	2	-	-	-	-
FF	SUPPORT COIL	1171667	-	-	2	1	-	-
G	BAFFLE DIFFUSER	1171569	2	2	2	2	2	2
GG	BAFFLE COIL	1171644	1	1	1	1	-	-
H	SPRING FILTER	1172554	1	1	1	1	1	1
HH	SUPPORT COND PAN	1171664	1	1	1	1	-	-
J	TUBE DRAIN	1172337	-	-	-	-	1	1
JJ	CHANNEL COND	1171645	1	1	1	1	-	-
K	GROMMET SUCTION	1173772	-	-	-	-	1	1
K	GROMMET SUCTION	1171622	1	1	1	1	-	-
KK	STRAP CAPACITOR	1171694	1	1	1	1	1	1
L	PLUG BUTTON	1173764	-	-	-	-	1	1
LL	FITTING DRAIN	1171636	-	-	-	-	1	1
MM	FITTING DRAIN	1171635	-	-	-	-	1	1
PP	CAP END	1174949	-	-	-	-	1	1
N	BRACKET COIL	1171574	-	-	-	-	2	2
RR	CAP END	1174950	-	-	-	-	1	1
P	BRACKET COIL	1171575	-	-	-	-	2	2
Q	SHIELD COND PAN	1172328	1	1	1	1	2	2
R	AIR SEAL ASY	1171640	-	-	-	-	1	1
S	TROUGH CNDS	1171639	-	-	-	-	1	-
S	TROUGH CNDS	1171638	-	-	-	-	-	1
T	TROUGH CNDS	1171637	-	-	-	-	1	1
U	BAFFLE DRIP	1171646	-	-	-	-	2	-
U	BAFFLE DRIP	1171647	-	-	-	-	-	2
V	RING DRIP	1171649	-	-	-	-	1	1
W	BAND MOTOR MOUNT	1171733	1	1	1	-	-	-
W	BAND MTR MOUNT	1171566	-	-	-	1	1	1
X	HOUSING BLR REPLACEMENT KIT	1179911	1	-	-	-	-	-
X	HOUSING BLR REPLACEMENT KIT	1179912	-	1	-	-	-	-
X	HOUSING BLR REPLACEMENT KIT	1179913	-	-	1	-	-	-
X	HOUSING BLR REPLACEMENT KIT	1179914	-	-	-	1	1	1
Y	ARM & GROM ASSY	1173747	3	-	-	-	-	-
Y	ARM & GROM ASSY	1179948	-	3	-	-	-	-
Y	ARM & GROM ASSY	1173746	-	-	3	-	-	-
Y	ARM & GROM ASSY	1173791	-	-	-	4	4	4
Z	SCREW	1170636	3	3	3	4	4	4
PARTS NOT SHOWN								
)	HARNESS ASSY UNIT	1171698	1	1	1	1	1	1
)	FUSE	1171735	1	1	1	1	1	1
)	GROMMET	1171737	1	1	1	1	1	1
)	GROMMET LIQUID	1171620	1	1	1	1	1	1
)	PAINT DARK GREY 16OZ AEROSOL	1171357	1	1	1	1	1	1

FSU4P*A1 PARTS LIST								
KEY NO.	DESCRIPTION	PART NO.	FSU4P1800A1	FSU4P2400A1	FSU4P3000A1	FSU4P3600A1	FSU4P4200A1	FSU4P4800A1
01	BLOWER ASSY DD9-7	1179916	1	-	-	-	-	-
01	BLOWER ASSY DD10-7	1179918	-	1	-	-	-	-
01	BLOWER ASSY DD10-9	1179920	-	-	1	-	-	-
01	BLOWER ASSY DD11-9	1179922	-	-	-	1	-	-
01	BLOWER ASSY DD11-9	1179924	-	-	-	-	1	-
01	BLOWER ASSY DD11-9	1179926	-	-	-	-	-	1
02	TRANS 208/230>24 40VA	1172028	1	1	1	1	1	1
03	BOARD CIRCUIT W/TDR	1171734	1	1	1	1	1	1
04	HARNASS ASSY BLOWER	1171676	1	1	1	1	1	1
05	FILTER HH 21.5X16.375X1	1171652	1	1	-	-	-	-
05	FILTER HH 21.5X19.875X1	1171653	-	-	1	1	1	-
05	FILTER HH 21.5X23.3125X1	1171654	-	-	-	-	-	1
07	COIL & HDR ASSY	1179928	1	-	-	-	-	-
07	COIL & HDR ASSY	1179930	-	1	-	-	-	-
07	COIL & HDR ASSY	1179932	-	-	1	-	-	-
07	COIL & HDR ASSY	1179934	-	-	-	1	-	-
07	COIL & HDR ASSY	1179936	-	-	-	-	1	-
07	COIL & HDR ASSY	1179938	-	-	-	-	-	1
08	STRAINER	1171739	1	1	1	1	1	1
10	CNDS PAN ASY	1179732	1	1	1	1	-	-
10	CNDS PAN ASY	1179676	-	-	-	-	1	-
10	CNDS PAN ASY	1179677	-	-	-	-	-	1
11	WHEEL DD9X7X1/2 CW CV	1171744	1	-	-	-	-	-
11	WHEEL DD10X7X1/2 CW CV	1171745	-	1	-	-	-	-
11	WHEEL DD10X9X1/2 CW CV	1171741	-	-	1	-	-	-
11	WHEEL DD11X9X1/2 CW CV	1171742	-	-	-	1	1	1
12	MTR BLR 1/230 1/6 HP	1179949	1	-	-	-	-	-
12	MTR BLR 1/230 1/4 HP	1179950	-	1	-	-	-	-
12	MTR BLR 1/230 1/3 HP	1179951	-	-	1	-	-	-
12	MTR BLR 1/230 1/3 HP	1179952	-	-	-	1	-	-
12	MTR BLR 1/230 1/2 HP	1179953	-	-	-	-	1	-
12	MTR BLR 1/230 1/2 HP	1179954	-	-	-	-	-	1
14	PANEL CUTOFF BLWR	1171571	1	-	-	-	-	-
14	PANEL CUTOFF BLWR	1171567	-	1	-	-	-	-
14	PANEL CUTOFF BLWR	1171568	-	-	1	-	-	-
14	PANEL CUTOFF BLWR	1171572	-	-	-	1	1	1
15	LUG GROUND S	1170677	1	1	1	1	1	1
16	DISTRIBUTOR	1173094	1	-	-	-	-	-
16	DISTRIBUTOR	1179945	-	1	1	1	-	-
16	DISTRIBUTOR	1173093	-	-	-	-	1	-
16	DISTRIBUTOR	1173302	-	-	-	-	-	1
17	PISTON .052 W/ TEFLON RING	1179943	1	-	-	-	-	-
17	PISTON .057 W/ TEFLON RING	1179944	-	1	-	-	-	-
17	PISTON .067 W/ TEFLON RING	1179689	-	-	1	-	-	-
17	PISTON .070 W/ TEFLON RING	1179690	-	-	-	1	-	-
17	PISTON .076 W/ TEFLON RING	1179691	-	-	-	-	1	-
17	PISTON .080 W/ TEFLON RING	1179692	-	-	-	-	-	1
18	DISTRIBUTOR ASY	1179939	1	-	-	-	-	-
18	DISTRIBUTOR ASY	1179940	-	1	-	-	-	-
18	DISTRIBUTOR ASY	1179941	-	-	1	-	-	-
18	DISTRIBUTOR ASY	1179942	-	-	-	1	-	-
18	DISTRIBUTOR ASY	1179698	-	-	-	-	1	-
18	DISTRIBUTOR ASY	1179955	-	-	-	-	-	1
23	CAP RN OV 370V 5	1171727	1	-	-	-	-	-
23	CAP RN OV 370V 15	1171730	-	1	1	1	1	1

- continued on next page -

FSU4P*A1 PARTS LIST

KEY NO.	DESCRIPTION	PART NO.	FSU4P1800A1	FSU4P2400A1	FSU4P3000A1	FSU4P3600A1	FSU4P4200A1	FSU4P4800A1
A	PANEL TOP	1172334	1	1	-	-	-	-
A	PANEL TOP	1172335	-	-	1	1	-	-
A	PANEL TOP	1172363	-	-	-	-	1	-
A	PANEL TOP	1172336	-	-	-	-	-	1
AA	PLATE HEATER	1171584	1	1	-	-	-	-
AA	PLATE HEATER	1171581	-	-	1	1	1	-
AA	PLATE HEATER	1171582	-	-	-	-	-	1
B	DOOR LOWER	1172343	1	1	-	-	-	-
B	DOOR LOWER	1172340	-	-	1	1	-	-
B	DOOR LOWER	1183110	-	-	-	-	1	-
B	DOOR LOWER	1183111	-	-	-	-	-	1
BB	DECK BLOWER	1171586	1	-	-	-	-	-
BB	DECK BLOWER	1171587	-	1	-	-	-	-
BB	DECK BLOWER	1171588	-	-	1	1	1	-
BB	DECK BLOWER	1171589	-	-	-	-	-	1
C	DOOR UPPER	1172345	1	-	-	-	-	-
C	DOOR UPPER	1172374	-	1	-	-	-	-
C	DOOR UPPER	1172346	-	-	1	1	-	-
C	DOOR UPPER	1172375	-	-	-	-	1	-
C	DOOR UPPER	1179947	-	-	-	-	-	1
CC	BRACKET COIL	1171651	1	1	-	-	-	-
CC	BRACKET COIL	1171650	-	-	1	1	-	-
D	DOOR FITTING	1179702	1	1	1	1	-	-
D	DOOR FITTING	1183112	-	-	-	-	1	1
E	DOOR FILTER	1171934	1	1	-	-	-	-
E	DOOR FILTER	1171935	-	-	1	1	1	-
E	DOOR FILTER	1171936	-	-	-	-	-	1
EE	EXTENSION COIL	1171579	1	1	-	-	-	-
EE	EXTENSION COIL	1171580	-	-	1	1	-	-
F	BARRIER LOW VOLTAGE	1171660	1	1	1	1	1	1
G	BAFFLE DIFFUSER	1171569	2	2	2	2	2	2
GG	BAFFLE COIL	1171644	1	1	1	1	-	-
H	SPRING FILTER	1172554	1	1	1	1	1	1
JJ	CHANNEL COND	1171645	1	1	1	1	-	-
K	GROMMET	1172083	1	1	-	-	-	-
K	GROMMET SUCTION	1171622	-	-	1	1	-	-
K	GROMMET SUCTION	1173772	-	-	-	-	1	1
KK	STRAP CAPACITOR	1171694	1	1	1	1	1	1
L	PLUG BUTTON	1173764	-	-	-	-	1	1
N	BRACKET COIL	1171574	-	-	-	-	2	2
P	BRACKET COIL	1171575	-	-	-	-	2	2
Q	SHIELD COND PAN	1172328	1	1	1	1	2	2
R	SEAL, AIR	1183109	-	-	-	-	1	1
V	RING DRIP	1172329	-	-	-	-	1	1
W	BAND MOTOR MOUNT	1171733	1	1	1	-	-	-
W	BAND MTR MOUNT	1171566	-	-	-	1	1	1
X	HOUSING BLR REPLACEMENT KIT	1179911	1	-	-	-	-	-
X	HOUSING BLR REPLACEMENT KIT	1179912	-	1	-	-	-	-
X	HOUSING BLR REPLACEMENT KIT	1179913	-	-	1	-	-	-
X	HOUSING BLR REPLACEMENT KIT	1179914	-	-	-	1	1	1
Y	ARM & GROM ASSY	1173747	3	-	-	-	-	-
Y	ARM & GROM ASSY	1179948	-	3	-	-	-	-
Y	ARM & GROM ASSY	1173746	-	-	1	-	-	-
Y	ARM & GROM ASSY	1173791	-	-	-	4	4	4
Z	SCREW	1170636	3	3	3	4	4	4
PARTS NOT SHOWN								
)	HARNESS ASSY UNIT	1171698	1	1	1	1	1	1
)	FUSE	1171735	1	1	1	1	1	1
)	GROMMET	1171737	1	1	1	1	1	1
)	GROMMET LIQUID	1171620	1	1	1	1	1	1
)	PAINT DARK GREY 16OZ AEROSOL S	1171357	1	1	1	1	1	1

FSU4P*AT1 PARTS LIST								
KEY NO.	DESCRIPTION	PART NO.	FSU4P1800AT1	FSU4P2400AT1	FSU4P3000AT1	FSU4P3600AT1	FSU4P4200AT1	FSU4P4800AT1
01	BLOWER ASSY DD9-7	1179916	1	-	-	-	-	-
01	BLOWER ASSY DD10-7	1179918	-	1	-	-	-	-
01	BLOWER ASSY DD10-9	1179920	-	-	1	-	-	-
01	BLOWER ASSY DD11-9	1179922	-	-	-	1	-	-
01	BLOWER ASSY DD11-9	1179924	-	-	-	-	1	-
01	BLOWER ASSY DD11-9	1179926	-	-	-	-	-	1
02	TRANS 208/230>24 40VA	1172028	1	1	1	1	1	1
03	BOARD CIRCUIT W/TDR	1171734	1	1	1	1	1	1
05	FILTER HH 21.5X16.375X1	1171652	1	1	-	-	-	-
05	FILTER HH 21.5X19.875X1	1171653	-	-	1	1	1	-
05	FILTER HH 21.5X23.3125X1	1171654	-	-	-	-	-	1
07	COIL & HDR ASSY	1183376	1	-	-	-	-	-
07	COIL & HDR ASSY	1183377	-	1	-	-	-	-
07	COIL & HDR ASSY	1183378	-	-	1	-	-	-
07	COIL & HDR ASSY	1183379	-	-	-	1	-	-
07	COIL & HDR ASSY	1183380	-	-	-	-	1	-
07	COIL & HDR ASSY	1183381	-	-	-	-	-	1
08	STRAINER	1171739	1	1	1	1	1	1
10	CNDS PAN ASY	1179732	1	1	1	1	-	-
10	CNDS PAN ASY	1179676	-	-	-	-	1	-
10	CNDS PAN ASY	1179677	-	-	-	-	-	1
11	WHEEL DD9X7X1/2 CW CV	1171744	1	-	-	-	-	-
11	WHEEL DD10X7X1/2 CW CV	1171745	-	1	-	-	-	-
11	WHEEL DD10X9X1/2 CW CV	1171741	-	-	1	-	-	-
11	WHEEL DD11X9X1/2 CW CV	1171742	-	-	-	1	1	1
12	MTR BLR 1/230 1/6 HP	1179949	1	-	-	-	-	-
12	MTR BLR 1/230 1/4 HP	1179950	-	1	-	-	-	-
12	MTR BLR 1/230 1/3 HP	1179951	-	-	1	-	-	-
12	MTR BLR 1/230 1/3 HP	1179952	-	-	-	1	-	-
12	MTR BLR 1/230 1/2 HP	1179953	-	-	-	-	1	-
12	MTR BLR 1/230 1/2 HP	1179954	-	-	-	-	-	1
14	PANEL CUTOFF BLWR	1171571	1	-	-	-	-	-
14	PANEL CUTOFF BLWR	1171567	-	1	-	-	-	-
14	PANEL CUTOFF BLWR	1171568	-	-	1	-	-	-
14	PANEL CUTOFF BLWR	1171572	-	-	-	1	1	1
15	LUG GROUND	1170677	1	1	1	1	1	1
16	DISTRIBUTOR	1173094	1	-	-	-	-	-
16	DISTRIBUTOR	1179945	-	1	1	1	-	-
16	DISTRIBUTOR	1173093	-	-	-	-	1	-
16	DISTRIBUTOR	1173302	-	-	-	-	-	1
17	PISTON .052 W/ TEFLON RING	1179943	1	-	-	-	-	-
17	PISTON .057 W/ TEFLON RING	1179944	-	1	-	-	-	-
17	PISTON .067 W/ TEFLON RING	1179689	-	-	1	-	-	-
17	PISTON .070 W/ TEFLON RING	1179690	-	-	-	1	-	-
17	PISTON .076 W/ TEFLON RING	1179691	-	-	-	-	1	-
17	PISTON .080 W/ TEFLON RING	1179692	-	-	-	-	-	1
18	DISTRIBUTOR ASY	1179939	1	-	-	-	-	-
18	DISTRIBUTOR ASY	1179940	-	1	-	-	-	-
18	DISTRIBUTOR ASY	1179941	-	-	1	-	-	-
18	DISTRIBUTOR ASY	1179942	-	-	-	1	-	-
18	DISTRIBUTOR ASY	1179698	-	-	-	-	1	-
18	DISTRIBUTOR ASY	1179955	-	-	-	-	-	1
23	CAP RN OV 370V 5	1171727	1	-	-	-	-	-
23	CAP RN OV 370V 15	1171730	-	1	1	1	1	1
A	PANEL TOP	1172334	1	1	-	-	-	-
A	PANEL TOP	1172335	-	-	1	1	-	-
A	PANEL TOP	1172363	-	-	-	-	1	-
A	PANEL TOP	1172336	-	-	-	-	-	1
AA	PLATE HEATER	1171584	1	1	-	-	-	-
AA	PLATE HEATER	1171581	-	-	1	1	1	-
AA	PLATE HEATER	1171582	-	-	-	-	-	1

- continued on next page -

FSU4P*AT1 PARTS LIST

KEY NO.	DESCRIPTION	PART NO.	FSU4P1800AT1	FSU4P2400AT1	FSU4P3000AT1	FSU4P3600AT1	FSU4P4200AT1	FSU4P4800AT1
B	DOOR LOWER	1172343	1	1	-	-	-	-
B	DOOR LOWER	1172340	-	-	1	1	-	-
B	DOOR LOWER	1183110	-	-	-	-	1	-
B	DOOR LOWER	1183111	-	-	-	-	-	1
BB	DECK BLOWER	1171586	1	-	-	-	-	-
BB	DECK BLOWER	1171587	-	1	-	-	-	-
BB	DECK BLOWER	1171588	-	-	1	1	1	-
BB	DECK BLOWER	1171589	-	-	-	-	-	1
C	DOOR UPPER	1172345	1	-	-	-	-	-
C	DOOR UPPER	1172374	-	1	-	-	-	-
C	DOOR UPPER	1172346	-	-	1	1	-	-
C	DOOR UPPER	1172375	-	-	-	-	1	-
C	DOOR UPPER	1179947	-	-	-	-	-	1
CC	BRACKET COIL	1171651	1	1	-	-	-	-
CC	BRACKET COIL	1171650	-	-	1	1	-	-
D	DOOR FITTING	1179702	1	1	1	1	-	-
D	DOOR FITTING	1183112	-	-	-	-	1	1
E	DOOR FILTER	1171934	1	1	-	-	-	-
E	DOOR FILTER	1171935	-	-	1	1	1	-
E	DOOR FILTER	1171936	-	-	-	-	-	1
EE	EXTENSION COIL	1171579	1	1	-	-	-	-
EE	EXTENSION COIL	1171580	-	-	1	1	-	-
F	BARRIER LOW VOLTAGE	1171660	1	1	1	1	1	1
G	BAFFLE DIFFUSER	1171569	2	2	2	2	2	2
GG	BAFFLE COIL	1171644	1	1	1	1	-	-
H	SPRING FILTER	1172554	1	1	1	1	1	1
JJ	CHANNEL COND	1171645	1	1	1	1	-	-
K	GROMMET SUCTION	1171622	1	-	1	1	-	-
K	GROMMET SUCTION	1173772	-	-	-	-	1	1
KK	STRAP CAPACITOR	1171694	1	1	1	1	1	1
L	PLUG BUTTON	1173764	-	-	-	-	1	1
N	BRACKET COIL	1171574	-	-	-	-	2	2
P	BRACKET COIL	1171575	-	-	-	-	2	2
Q	SHIELD COND PAN	1172328	1	1	1	1	2	2
R	SEAL, AIR	1183109	-	-	-	-	1	1
V	RING DRIP	1172329	-	-	-	-	1	1
W	BAND MOTOR MOUNT	1171733	1	1	1	-	-	-
W	BAND MTR MOUNT	1171566	-	-	-	1	1	1
X	HOUSING BLR REPLACEMENT KIT	1179911	1	-	-	-	-	-
X	HOUSING BLR REPLACEMENT KIT	1179912	-	1	-	-	-	-
X	HOUSING BLR REPLACEMENT KIT	1179913	-	-	1	-	-	-
X	HOUSING BLR REPLACEMENT KIT	1179914	-	-	-	1	1	1
Y	ARM & GROM ASSY	1173747	3	-	-	-	-	-
Y	ARM & GROM ASSY	1179948	-	3	-	-	-	-
Y	ARM & GROM ASSY	1173746	-	-	3	-	-	-
Y	ARM & GROM ASSY	1173791	-	-	-	4	4	4
Z	SCREW	1170636	3	3	3	4	4	4
PARTS NOT SHOWN								
)	HARNESS ASSY UNIT	1171698	1	1	1	1	1	1
)	FUSE	1171735	1	1	1	1	1	1
)	GROMMET	1171737	1	1	1	1	1	1
)	GROMMET LIQUID	1171620	1	1	1	1	1	1
)	PAINT DARK GREY 16OZ AEROSOL	1171357	1	1	1	1	1	1