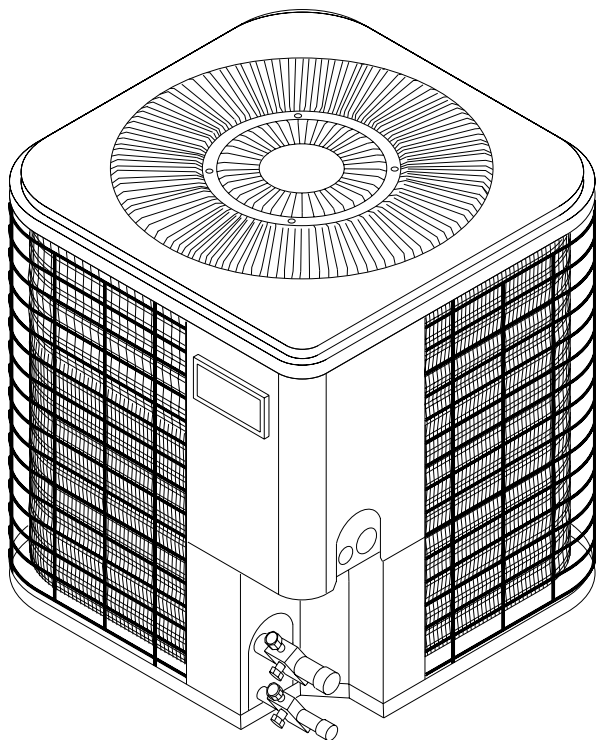


Technical Information



- Specifications
- Wiring Diagrams
- Tech Service Data
- Repair Parts

Heat Pump Outdoor Sections

Models

CH5518VKC1
CH5524VKC1
CH5530VKC1
CH5536VKC1
CH5542VKC1
CH5548VKC1
CH5560VKC1

YJ018GA1
YJ024GA1
YJ030GA1
YJ036GA1
YJ042GA1
YJ048GA1
YJ060GA1

Save This Manual for Future Reference

System Match and Charge Data - CH55 Series

Outdoor Model	Indoor Model	Pin **	Total System								
			Operating Charge / Feet Of Line In Oz.								
			10'	15'	20'	25'	30'	35'	40'	45'	50'
CH5518VKC	EP*5518(SA/BC)	.048	74	76	78	80	83	85	87	89	92
	EP*5524(SA/BC)	.048									
	EP*5524(SA/BC) + TD1	.048									
	EP*5524(SA/BC) + HTXV2	TXV									
	EX*9524(SA/BB)	TXV									
	BH5518	.048									
	BH5518 + HTXV2	TXV									
	BPW018	.048									
	BPW018 + TD1	.048									
	BPW018 + HTXV2	TXV									
CH5524VKC	EX*9524(SA/BB)	TXV	88	90	92	94	97	99	101	103	106
	EP*5530(BC/FC)	.056									
	EP*5530(BC/FC) + TD	.056									
	EP*5530(BC/FC) + HTXV2	.056									
	BH5524	.056									
	BH5524 + TD1	.056									
	BH5530	.056									
	BH5530 + TD1	.056									
	BH5530 + HTXV2 + TD1	TXV									
	BPW024 + TD1	.056									
	BPW030	.056									
	BPW030 + TD1	.056									
	BPW030 + HTXV2 + TD1	TXV									
	CH5530VKC	EP*5536(BC/FC/JC)									
EP*5536(BC/FC/JC) + HTXV3 + TD1		TXV									
EX*9530(SA/FB)		TXV									
EX*9536(SA/FB/JB)		TXV									
BH5530		.063									
BH5530 + TD1		.063									
BH5536		.063									
BH5536 + TD1		.063									
BH5536 + HTXV3		TXV									
BPW030		.063									
BPW030 + TD1		.063									
BPW036		.063									
BPW036 + TD1		.063									
BPW036 + HTXV3		TXV									
CH5536VKC	EP*5542(BC/FC/JC)	.070	117	119	121	123	126	128	130	132	135
	EP*5542(BC/FC/JC) + TD1	.070									
	EP*5542(BC/FC/JC)+ TD1 + HTXV3	TXV									
	EX*9536(SA/FB/JB)	TXV									
	BH5536	.070									
	BH5536 + HTXV3	TXV									
	BH5542	.070									
	BH5542 + TD1	.070									
	BH5542 + TD1 + HTXV3	TXV									
	BPW036	.070									
	BPW036 + HTXV3	.070									

* - A = Loose Coil, C = Cased Upflow Coil, D = Cased Downflow Coil, H = Cased Horizontal Coil.

= Installer must change indoor coil refrigerant control orifice for system match as listed. Correct orifice(s) shipped with outdoor unit.

TD1 = AMA001TDA indoor blower time delay kit required to make SEER indicated.

HTXV2 = AXB002TKA, HTXV3 = AXB003TKA, etc. Expansion Valve Accessory Kits (H denotes bi-flow).

B, F, J, N, in the coil (cased and horizontal) model numbers indicate coil cabinet width. B = 15 1/2", F = 19 1/8", J = 22 3/4", N = 26 3/8"

** Orifice Pin required shipped with outdoor unit.

System Match and Charge Data - CH55 Series (Cont.)

Outdoor Model	Indoor Model	Pin **	Total System								
			Operating Charge / Feet Of Line In Oz.								
			10'	15'	20'	25'	30'	35'	40'	45'	50'
CH5542VKC	EPA5542FC	.073	142	145	148	151	154	157	160	163	166
	EPA5542FC + HTXV4	TXV									
	EPA5548FC + TD1 + HTXV4	TXV									
	EX*9542(FC/JC)	TXV									
	BH5542	.073									
	BH5542 + HTXV4	TXV									
	BH5542 + TD1 + HTXV4	TXV									
CH5548VKC	EPA5548JC	.082									
	EPA5548JC + TD1	.082									
	EPA5548JC + HTXV4	TXV									
	EPA5560JC	.082									
	EPA5560JC + HTXV4	.082									
	EP*5555NC	.082	194	197	200	203	206	209	212	215	218
	EP*5555NC + TD1	.082									
	EP*5555NC + HTXV4	TXV									
	EXA9548SB	TXV									
	BH5060	.082									
	BH5060 + TD1	.082									
	BH5060 + HTXV4	TXV									
	CH5560VKC	EXA9560SB	TXV								
EXA9560SA + BCM060 + TD1		TXV									
BH5060		.093									
BH5060 + HTXV5		TXV									

* - A = Loose Coil, C = Cased Upflow Coil, D = Cased Downflow Coil, H = Cased Horizontal Coil.

= Installer must change indoor coil refrigerant control orifice for system match as listed. Correct orifice(s) shipped with outdoor unit.

TD1 = AMA001TDA indoor blower time delay kit required to make SEER indicated.

HTXV2 = AXB002TKA, HTXV3 = AXB003TKA, etc. Expansion Valve Accessory Kits (H denotes bi-flow).

B, F, J, N, in the coil (cased and horizontal) model numbers indicate coil cabinet width. B = 15 1/2", F = 19 1/8", J = 22 3/4", N = 26 3/8"

** Orifice Pin required shipped with outdoor unit.

V = Sweat valve models shipped with refrigerant charge for Unit, Coil & 25 ft. line.

Rated Line Size/Charge Per Foot:

1.0 - 3.0 Ton 5/16" Liquid Line - 3/4" Vapor @ .45 Oz. per Foot of Liquid Line.

3.5 - 5.0 Ton 3/8" Liquid Line - 7/8" Vapor @ .60 Oz. per Foot of Liquid Line.

For those Units not so equipped an accumulator is required after 50' of line or 12 lb. Charge.

Refrigerant Added for Field Installed Drier

Liquid Line Drier	
Size	Add Oz.
5 Cu. In.	5
8 Cu. In.	8
16 Cu. In.	11
30 Cu. In.	17

System Match and Charge Data - YJ Series

Outdoor Model	Indoor Model	Pin *	Total System								
			Operating Charge / Feet Of Line In Oz.								
			10'	15'	20'	25'	30'	35'	40'	45'	50'
YJ018GA	U(H,D)18P**	.048	74	76	78	80	83	85	87	89	92
	U(HD)24P**	.048									
	U(HD)24P** + TD1	.048									
	U(HD)24P** + HTXV2	TXV									
	U(H,D)24YX	TXV									
	BUHB18G	.048									
	BUHB18G + HTXV2	TXV									
	DBYNB018	.048									
	DBYNB + TD1	.048									
	DBYNB + HTXV2	TXV									
YJ024GA	U(H,D)24YX	TXV	88	90	92	94	97	99	101	103	106
	U(HD)30P**	.056									
	U(HD)30P** + TD1	.056									
	U(HD)30P** + HTXV2	.056									
	BUHB24G	.056									
	BUHB24G + TD1	.056									
	BUHB30G	.056									
	BUHB30G + TD1	.056									
	BUHB30G + HTXV2 + TD1	TXV									
	DBYNB024 + TD1	.056									
	DBYNB030	.056									
	DBYNB030 + TD1	.056									
	DBYNB030 + HTXV2 + TD1	TXV									
	YJ030GA	U(H,D)36P**									
U(H,D)36P** + HTXV3 + TD1		TXV									
U(H,D)30YX		TXV									
U(H,D)36YX		TXV									
BUHB30G		.063									
BUHB30G + TD1		.063									
BUHB36G		.063									
BUHB36G + TD1		.063									
BUHB36G + HTXV3		TXV									
DBYNB030		.063									
DBYNB030 + TD1		.063									
DBYNB036		.063									
DBYNB036 + TD1		.063									
DBYNB036 + HTXV3		TXV									
YJ036GA	U(H,D)42P**	.070	117	119	121	123	126	128	130	132	135
	U(H,D)42P** + TD1	.070									
	U(H,D)42P** + TD1 + HTXV3	TXV									
	U(H,D)36YX	TXV									
	BUHB36G	.070									
	BUHB36G + HTXV3	TXV									
	BUHB42G	.070									
	BUHB42G + TD1	.070									
	BUHB42G + TD1 + HTXV3	TXV									
	DBYNB036	.070									
	DBYNB036 + HTXV3	.070									

SEE SYSTEM CHARGING PROCEDURE ON PAGE 6

SEE SYSTEM CHARGING PROCEDURE ON PAGE 6

SEE SYSTEM CHARGING PROCEDURE ON PAGE 6

SEE SYSTEM CHARGING PROCEDURE ON PAGE 6

TD1 = ZAMA001TDA indoor blower time delay kit required to make SEER indicated.

HTXV3 = ZAXB003TKA, HTXV4 = ZAXB004TKA, HTXV5 = ZAXB005TKA, Expansion Valve Accessory Kits (H denotes bi-flow).

* Orifice Pin required shipped with outdoor unit.

System Match and Charge Data - YJ Series

Outdoor Model	Indoor Model	Pin *	Total System								
			Operating Charge / Feet Of Line In Oz.								
			10'	15'	20'	25'	30'	35'	40'	45'	50'
YJ042GA	U(H,D)42P**	.073	118	121	124	127	130	133	136	139	142
	U(H,D)42P** + HTXV4	TXV									
	U(H,D)48P** + TD1 + HTXV4	TXV									
	U(H,D)42YX	TXV									
	BUHB42G	.073									
	BUHB42G + HTXV4	TXV									
	BUHB42G + TD1 + HTXV4	TXV									
YJ048GA	U(H,D)48P**	.082	142	145	148	151	154	157	160	163	166
	U(H,D)48P** + TD1	.082									
	U(H,D)48P** + HTXV4	TXV									
	U(H,D)58P**	.082									
	U(H,D)58P** + HTXV4	.082									
	U(H,D)55P**	.082									
	U(H,D)55P** + TD1	.082									
	U(H,D)55P** + HTXV4	TXV									
	U(H,D)48YX	TXV									
	BUHA60G	.082									
	BUHA60G + TD1	.082									
	BUHA60G + HTXV4	TXV									
	YJ060GA	U(H,D)60YX									
BUHA60G		.093									
BUHA60G + HTXV5		TXV									

TD1 = ZAMA001TDA indoor blower time delay kit required to make SEER indicated.

HTXV3 = ZAXB003TKA, HTXV4 = ZAXB004TKA, HTXV5 = ZAXB005TKA, Expansion Valve Accessory Kits (H denotes bi-flow).

* Orifice Pin required shipped with outdoor unit.

V = Sweat valve models shipped with refrigerant charge for Unit, Coil & 25 ft. line.

Rated Line Size/Charge Per Foot:

1.0 - 3.0 Ton 5/16" Liquid Line - 3/4" Vapor @ .45 Oz. per Foot of Liquid Line.

3.5 - 5.0 Ton 3/8" Liquid Line - 7/8" Vapor @ .60 Oz. per Foot of Liquid Line.

For those Units not so equipped an accumulator is required after 50' of line or 12 lb. Charge.

Refrigerant Added for Field Installed Drier

Liquid Line Drier	
Size	Add Oz.
5 Cu. In.	5
8 Cu. In.	8
16 Cu. In.	11
30 Cu. In.	17

System Charging Procedure

NOTE: Optimum performance for systems with orifice or cap tubes is obtained with 15 - 20 °F superheat at compressor inlet under DOE "B" test conditions.

The preferred method of charging is to weigh the charge in when the correct charge is known for the system match.

SUPERHEAT MEASURED AT SERVICE VALVE			
Outdoor Temp (°F)	Indoor Conditions DB/WB (50%R.H.)		
	75 / 63	80 / 67	85 / 71
105	2-6	2-6	10-12
100	2-6	5-7	12-14
95	2-6	8-10	14-17
90	4-6	11-13	16-19
85	7-10	14-16	19-22
80	10-13	16-19	22-25
75	13-16	19-22	24-27
70	17-20	22-25	27-30
65	20-23	25-28	29-33
60	23-27	27-31	32-36
55	26-30	29-34	34-38

SATURATED TEMPERATURE - PRESSURE CHART					
(°F)	R22-PSIG	(°F)	R22-PSIG	(°F)	R22-PSIG
32	57.5	44	74.5	80	143.6
33	58.8	45	76.0	85	155.7
34	60.1	46	77.6	90	168.4
35	61.5	47	79.2	95	181.8
36	62.8	48	80.8	100	195.8
37	64.2	49	82.4	105	210.8
38	65.6	50	84.0	110	226.4
39	67.1	55	92.6	115	242.7
40	68.5	60	101.6	120	259.9
41	70.0	65	111.2	125	277.9
42	71.4	70	121.4	130	296.8
43	73.0	75	132.2	140	337.3

Systems with Orifice or Cap Tube Evaporator Coil

1. Determine required superheat from chart.
2. Measure suction line temperature 6 inches from service valve.
3. Measure suction line pressure at service valve and determine saturated suction temperature from chart.
4. Subtract saturated suction temperature from measured temperature to obtain superheat.
5. Refer to chart and adjust charge as required for correct superheat at ambient conditions.

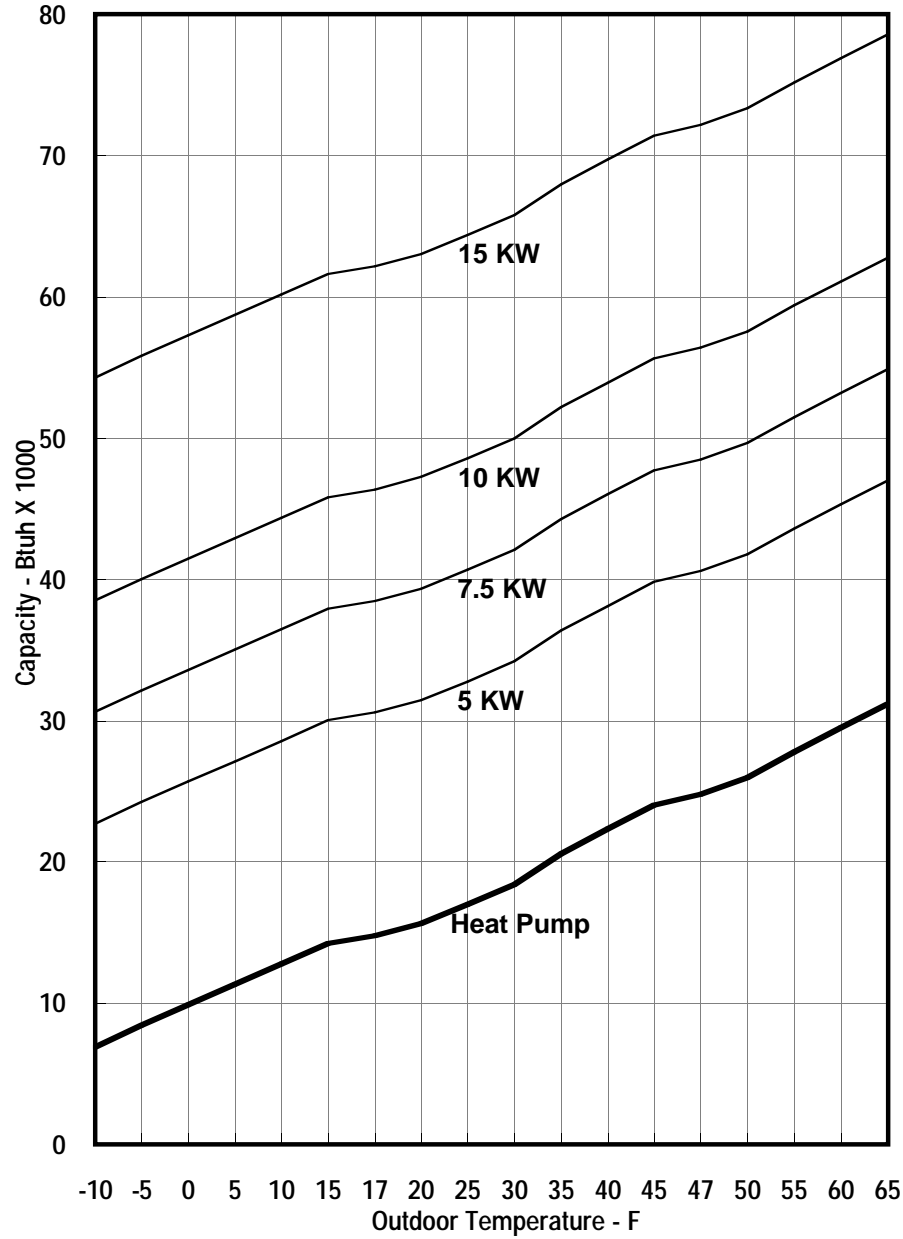
Systems with Expansion Valve controlled Evaporator Coil

1. Measure outdoor ambient, must be between 65 °F and 115 °F.
2. Measure liquid line temperature 6 inches from service valve.
3. Measure liquid line pressure at service valve and determine saturated liquid temperature from chart.
4. Subtract measured liquid line temperature from saturated liquid temperature to obtain subcooling.
5. Adjust charge as required to obtain 8 °F - 12 °F subcooling.

NOTES:

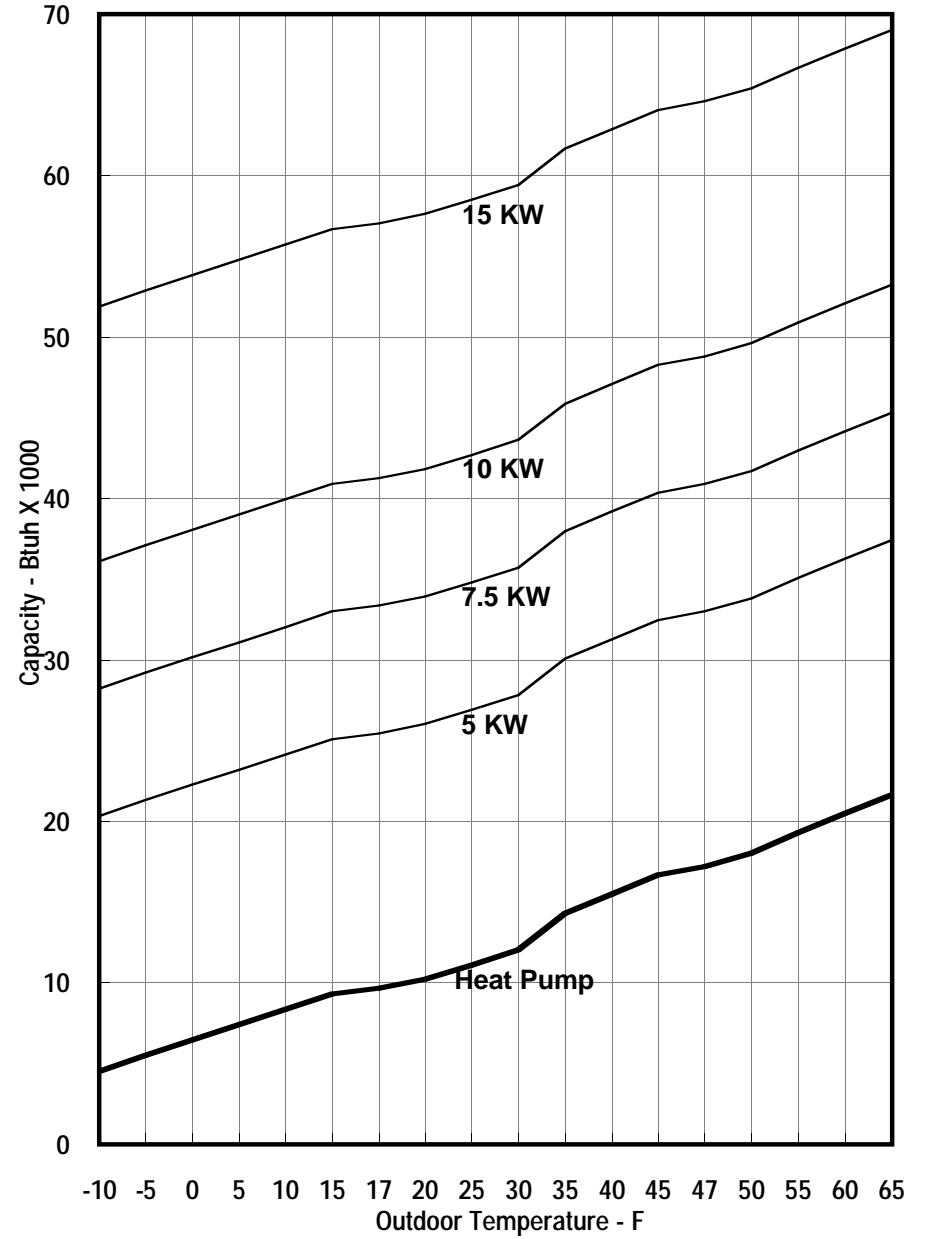
Heating Capacity Chart-2 Ton

Balance Chart Performance based on 230V Operation



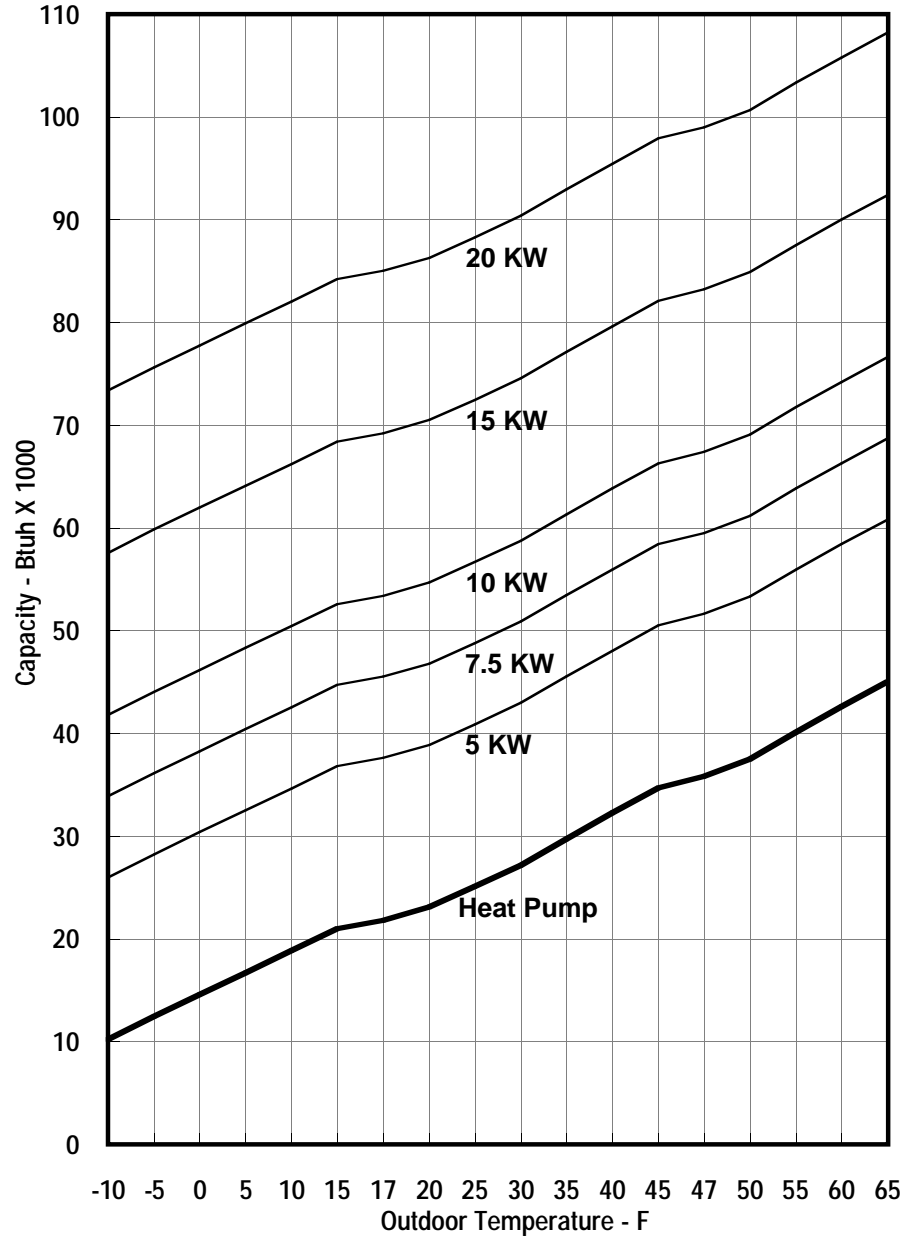
Heating Capacity Chart-1.5 Ton

Balance Chart Performance based on 230V Operation



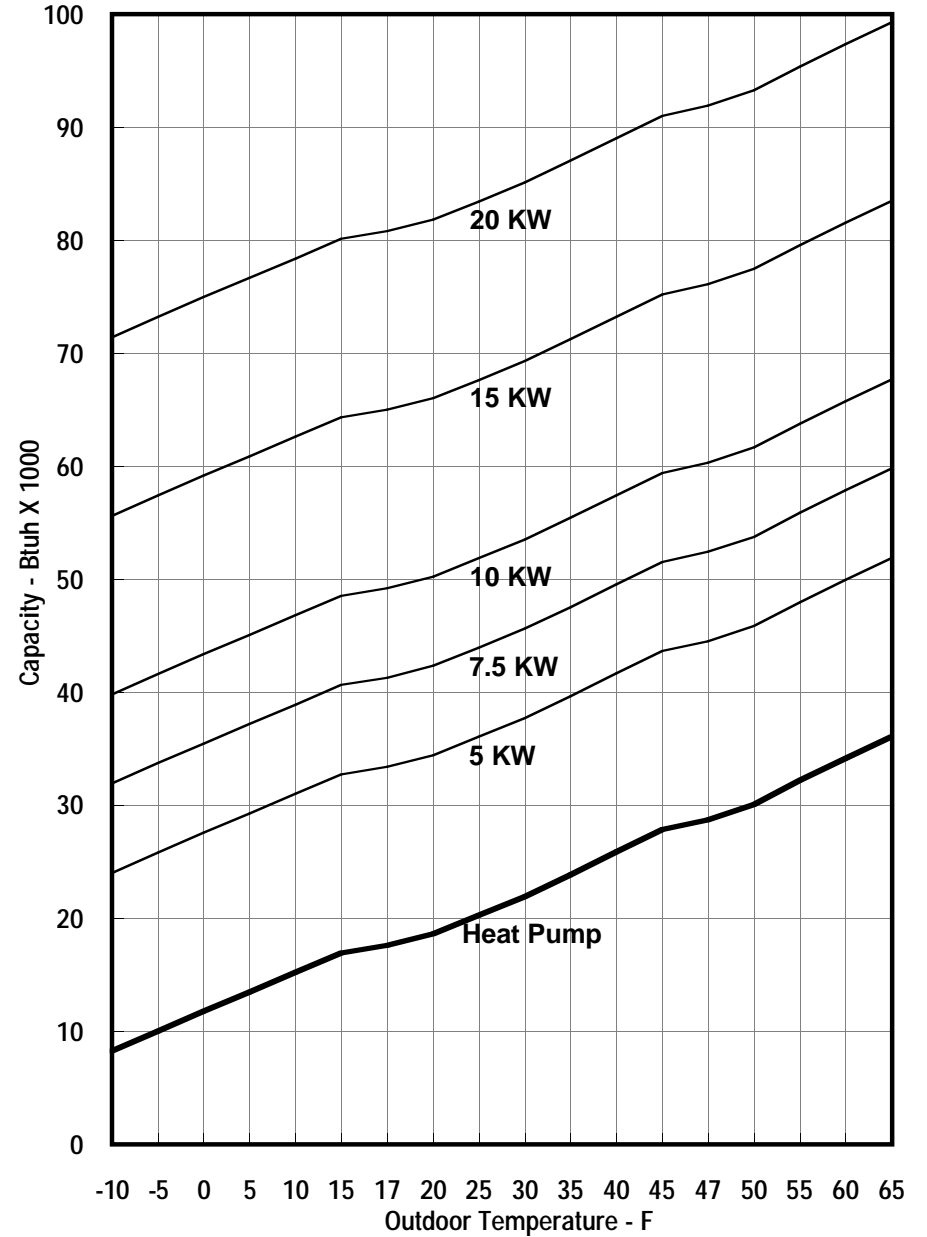
Heating Capacity Chart-3 Ton

Balance Chart Performance based on 230V Operation



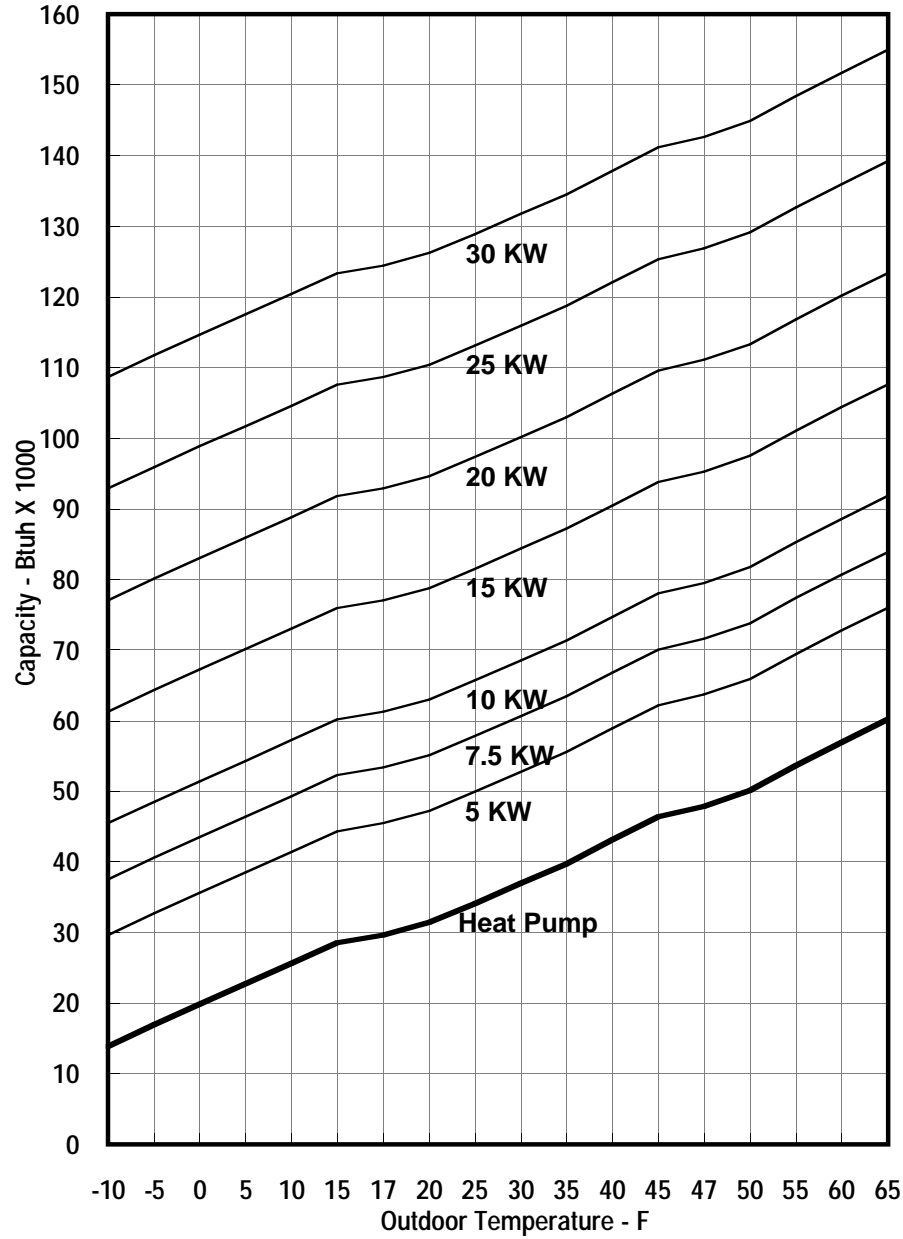
Heating Capacity Chart-2.5 Ton

Balance Chart Performance based on 230V Operation



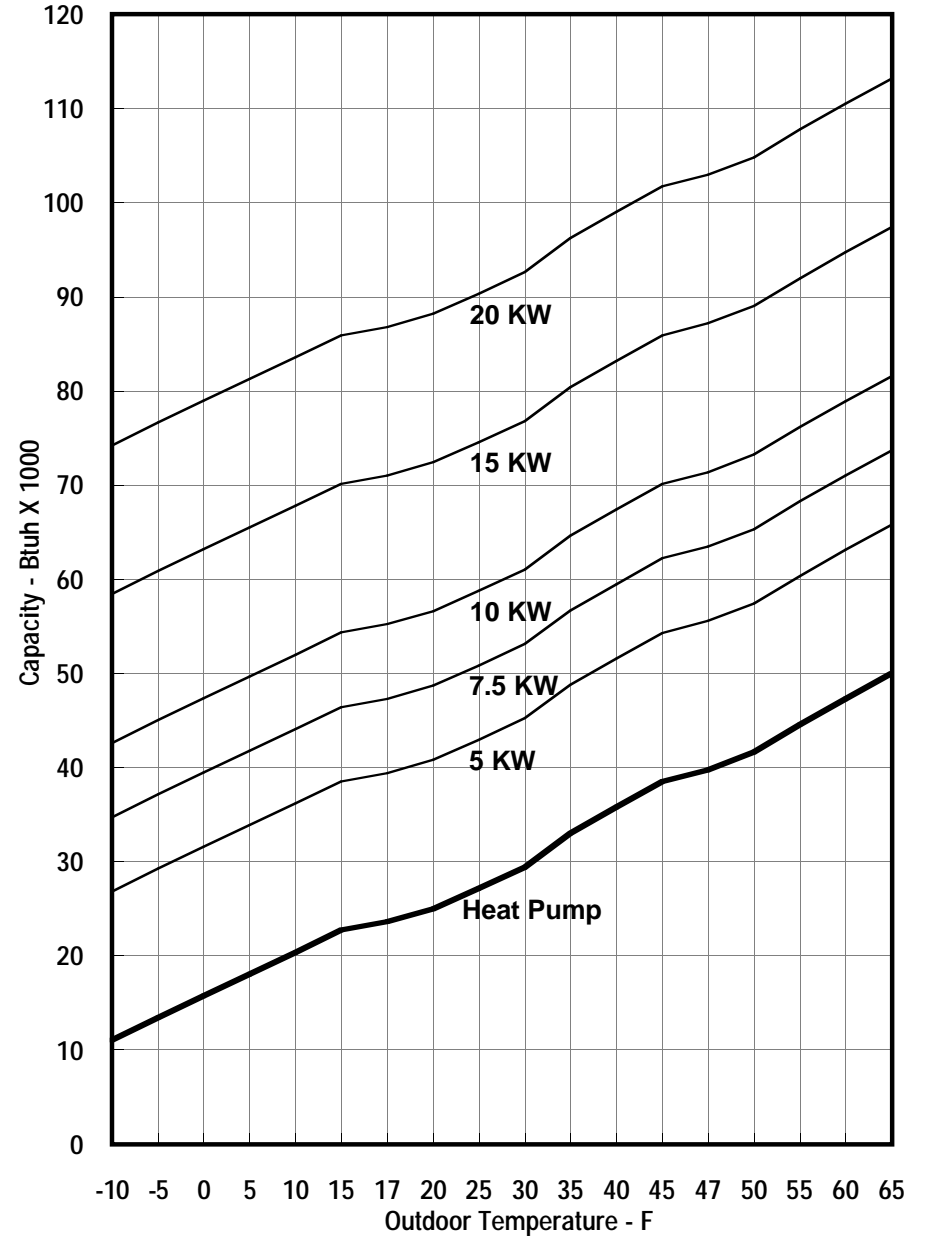
Heating Capacity Chart-4 Ton

Balance Chart Performance based on 230V Operation



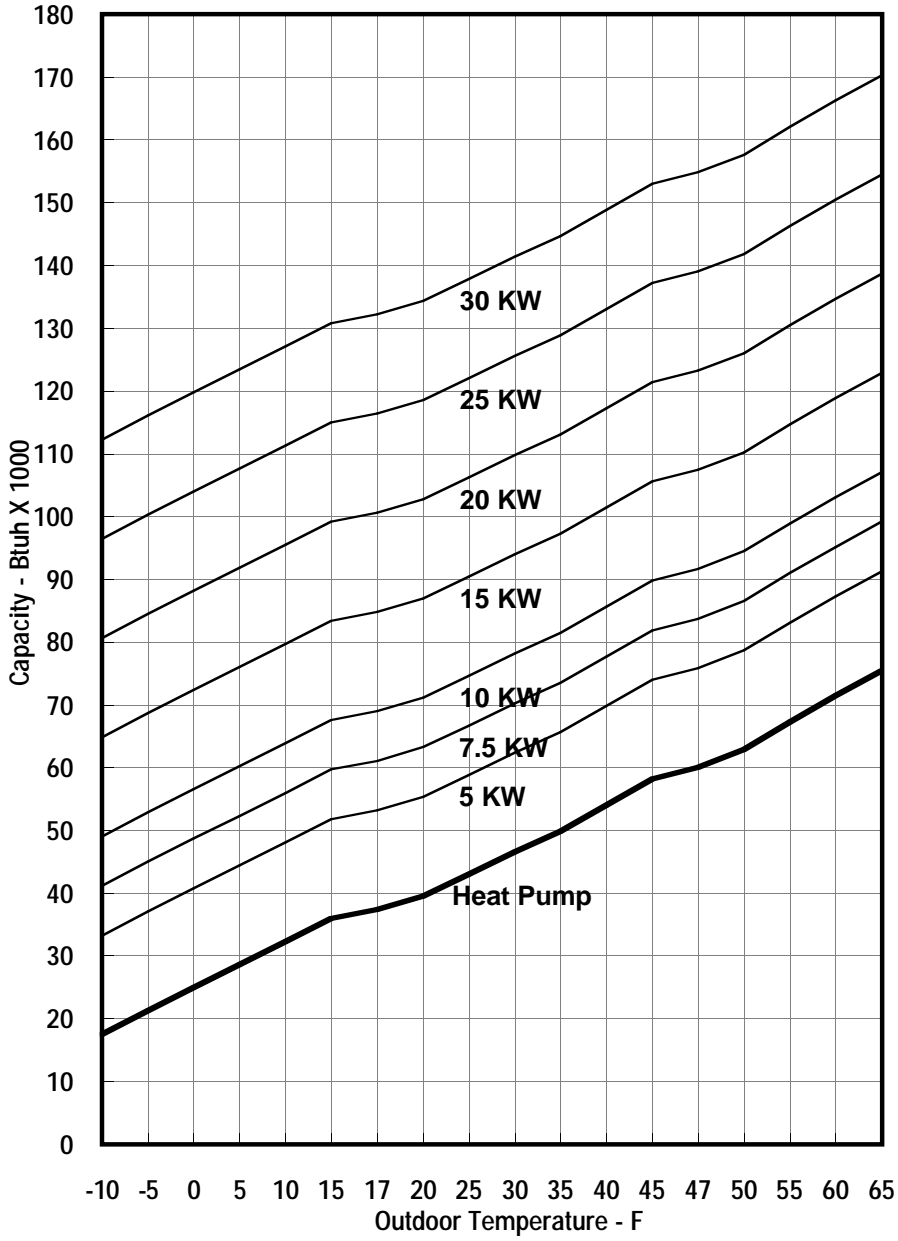
Heating Capacity Chart-3.5 Ton

Balance Chart Performance based on 230V Operation



Heating Capacity Chart-5 Ton

Balance Chart Performance based on 230V Operation



Technical Data

1 1/2 TON

Style No:	18MHD-000095ZR	Outdoor Ambient Temperature - Degrees F. Dry Bulb																																		
		75							85							95							105							115						
		Entering Indoor Temperature - Degrees F. Wet Bulb																																		
		IDB	59	63	67	71	59	63	67	71	59	63	67	71	59	63	67	71	59	63	67	71	59	63	67	71										
Voltage	208-230																																			
Phase	1																																			
Ampacity	12.7																																			
Wire Ga/Ft	14																																			
Delay Fuse	15																																			
Max. Fuse	20																																			
Compressor	COPELAND																																			
RLA	9																																			
LRA	42																																			
Cap MFD/V	30 / 370																																			
CC Heater	None																																			
Start Kit	None																																			
Fan Motor-HP	1 / 8																																			
Type	PSC																																			
FLA	0.6																																			
LRA	1.5																																			
RPM	1120																																			
Cap MFD/V	5/370																																			
PTCR	None																																			
Hi Press	NONE																																			
Low Press	0																																			
Low Amb	None																																			
Defrost	ElecTime-Temp																																			
Sensor	31-51																																			
Operating Chg (25 Ft Lines)*	(R-22Oz) 80																																			
Service Driers	None																																			
Liquid/Chg	5Culn/5oz																																			
Suction	17Sqn																																			
Unit Weight																																				

		Outdoor Ambient Temperature - Degrees F. Dry Bulb																												
		IDB	65	60	55	50	47	45	40	35	30	25	20	17	15	10	5	0	-5	-10										
	Heating																													
	MBh																													
	T/R																													
	KW																													
	AMPS																													
	COP																													
	EER																													
	HI PR																													
	LO PR																													

Calculated averaged performance data, for service applications for all matches. Part No: 1080914

*Add or Subtract (Oz per Ft) for Lines: .25oz - 1/4 Liq, .45oz - 5/16 Liq, .60oz - 3/8 Liq, 1.2 oz - 1/2 Liq

2 TON

Style No:	24MHD-000095ZR	Outdoor Ambient Temperature - Degrees F. Dry Bulb																																		
		75							85							95							105							115						
		Entering Indoor Temperature - Degrees F. Wet Bulb																																		
		IDB	59	63	67	71	59	63	67	71	59	63	67	71	59	63	67	71	59	63	67	71	59	63	67	71										
Voltage	208-230																																			
Phase	1																																			
Ampacity	16.3																																			
Wire Ga/Ft	14																																			
Delay Fuse	20																																			
Max. Fuse	25																																			
Compressor	COPELAND																																			
RLA	11.9																																			
LRA	59																																			
Cap MFD/V	35 / 370																																			
CC Heater	None																																			
Start Kit	None																																			
Fan Motor-HP	1 / 8																																			
Type	PSC																																			
FLA	0.6																																			
LRA	1.5																																			
RPM	1120																																			
Cap MFD/V	5/370																																			
PTCR	None																																			
Hi Press	NONE																																			
Low Press	0																																			
Low Amb	None																																			
Defrost	ElecTime-Temp																																			
Sensor	31-51																																			
Operating Chg (25 Ft Lines)*	(R-22Oz) 94																																			
Service Driers	None																																			
Liquid/Chg	5Culn/5oz																																			
Suction	17Sqn																																			
Unit Weight																																				

		Outdoor Ambient Temperature - Degrees F. Dry Bulb																												
		IDB	65	60	55	50	47	45	40	35	30	25	20	17	15	10	5	0	-5	-10										
	Heating																													
	MBh																													
	T/R																													
	KW																													
	AMPS																													
	COP																													
	EER																													
	HI PR																													
	LO PR																													

Calculated averaged performance data, for service applications for all matches. Part No: 1080915

*Add or Subtract (Oz per Ft) for Lines: .25oz - 1/4 Liq, .45oz - 5/16 Liq, .60oz - 3/8 Liq, 1.2 oz - 1/2 Liq

Technical Data

3 1/2 TON

Style No:	42MHD-000095ZR	Outdoor Ambient Temperature - Degrees F. Dry Bulb																			
		75				85				95				105				115			
		Entering Indoor Temperature - Degrees F. Wet Bulb																			
	IDB	59	63	67	71	59	63	67	71	59	63	67	71	59	63	67	71	59	63	67	71
Voltage	208-230																				
Phase	1																				
Ampacity	24.5																				
Wire Ga/Ft	12/26																				
Delay Fuse	30																				
Max. Fuse	40																				
Compressor	COPELAND																				
RLA	18.6																				
LRA	127																				
Cap MFD/V	40/440																				
CC Heater	None																				
Start Kit	None																				
Fan Motor-HP	1 / 3																				
Type	PSC																				
FLA	1.3																				
LRA	3.56																				
RPM	1100																				
Cap MFD/V	5/370																				
PTCR	None																				
Hi Press	NONE																				
Low Press	0 PSIG																				
Low Amb	None																				
Defrost	ElecTime-Temp																				
Sensor	31-51																				
Operating Chg (25 Ft Lines)*	(R-22Oz)																				
Service Driers	None																				
Liquid/Chg	16CuIn/11oz																				
Suction	30SqIn																				
Unit Weight																					

Heating	IDB	Outdoor Ambient Temperature - Degrees F. Dry Bulb																																																					
		65			60			55			50			47			45			40			35			30			25			20			17			15			10			5			0			-5			-10		
	MBh	50.0	47.3	44.6	41.6	39.8	38.5	35.8	33.0	29.4	27.1	25.0	23.6	22.7	20.4	18.1	15.8	13.5	11.0																																				
	T/R	34.3	32.4	30.6	28.5	27.3	26.4	24.5	22.6	20.2	18.6	17.1	16.2	15.6	14.0	12.4	10.8	9.2	7.6																																				
	KW	3.88	3.81	3.73	3.66	3.62	3.59	3.51	3.44	3.56	3.48	3.40	3.36	3.33	3.25	3.17	3.09	3.01	2.93																																				
	AMPS	24.0	22.2	20.8	19.5	18.8	18.4	17.3	16.4	15.7	14.9	14.2	13.9	13.7	12.9	12.0	11.3	10.4	9.3																																				
	COP	3.77	3.64	3.49	3.33	3.22	3.14	2.98	2.81	2.42	2.28	2.15	2.06	2.00	1.84	1.67	1.49	1.31	1.10																																				
	EER	12.9	12.4	11.9	11.4	11.0	10.7	10.2	9.6	8.3	7.8	7.3	7.0	6.8	6.3	5.7	5.1	4.5	3.8																																				
	HI PR	241	231	222	212	207	203	195	188	180	172	165	161	158	152	146	140	135	130																																				
	LO PR	64	60	56	51	48	47	43	38	34	31	27	25	24	20	18	15	13	10																																				

Calculated averaged performance data, for service applications for all matches. Part No: 1080918

*Add or Subtract (Oz per Ft) for Lines: .25oz - 1/4 Liq, .45oz - 5/16 Liq, .60oz - 3/8 Liq, 1.2 oz - 1/2 Liq

4 TON

Style No:	48MHD-000095ZR	Outdoor Ambient Temperature - Degrees F. Dry Bulb																			
		75				85				95				105				115			
		Entering Indoor Temperature - Degrees F. Wet Bulb																			
	IDB	59	63	67	71	59	63	67	71	59	63	67	71	59	63	67	71	59	63	67	71
Voltage	208-230																				
Phase	1																				
Ampacity	28.6																				
Wire Ga/Ft	10/40																				
Delay Fuse	35																				
Max. Fuse	50																				
Compressor	COPELAND																				
RLA	21.8																				
LRA	131																				
Cap MFD/V	40/370																				
CC Heater	None																				
Start Kit	None																				
Fan Motor-HP	1 / 4																				
Type	PSC																				
FLA	1.4																				
LRA	3.24																				
RPM	840																				
Cap MFD/V	5/370																				
PTCR	None																				
Hi Press	NONE																				
Low Press	0 PSIG																				
Low Amb	None																				
Defrost	ElecTime-Temp																				
Sensor	31-51																				
Operating Chg (25 Ft Lines)*	(R-22Oz)																				
Service Driers	None																				
Liquid/Chg	30CuIn/17oz																				
Suction	30SqIn																				
Unit Weight																					

Heating	IDB	Outdoor Ambient Temperature - Degrees F. Dry Bulb																																																					
		65			60			55			50			47			45			40			35			30			25			20			17			15			10			5			0			-5			-10		
	MBh	60.1	56.9	53.6	50.1	47.8	46.4	43.1	39.7	36.9	34.1	31.4	29.6	28.5	25.6	22.7	19.8	16.9	13.8																																				
	T/R	34.8	32.9	31.0	29.0	27.7	26.8	24.9	23.0	21.4	19.7	18.2	17.1	16.5	14.8	13.1	11.5	9.8	8.0																																				
	KW	4.42	4.34	4.25	4.17	4.12	4.09	4.01	3.92	3.97	3.88	3.79	3.74	3.71	3.62	3.53	3.45	3.36	3.27																																				
	AMPS	23.2	21.4	20.1	18.9	18.2	17.8	16.8	15.9	15.2	14.5	13.8	13.5	13.3	12.6	11.8	11.1	10.2	9.2																																				
	COP	3.98	3.84	3.69	3.51	3.40	3.32	3.14	2.96	2.72	2.57	2.42	2.32	2.25	2.07	1.88	1.68	1.47	1.24																																				
	EER	13.6	13.1	12.6	12.0	11.6	11.3	10.7	10.1	9.3	8.8	8.3	7.9	7.7	7.1	6.4	5.7	5.0	4.2																																				
	HI PR	241	231	222	212	207	203	195	187	179	171	165	161	158	152	146	140	135	130																																				
	LO PR	67	62	59	54	51	49	45	40	36	32	28	26	25	21	19	16	14	11																																				

Calculated averaged performance data, for service applications for all matches. Part No: 1080919

*Add or Subtract (Oz per Ft) for Lines: .25oz - 1/4 Liq, .45oz - 5/16 Liq, .60oz - 3/8 Liq, 1.2 oz - 1/2 Liq

Technical Data

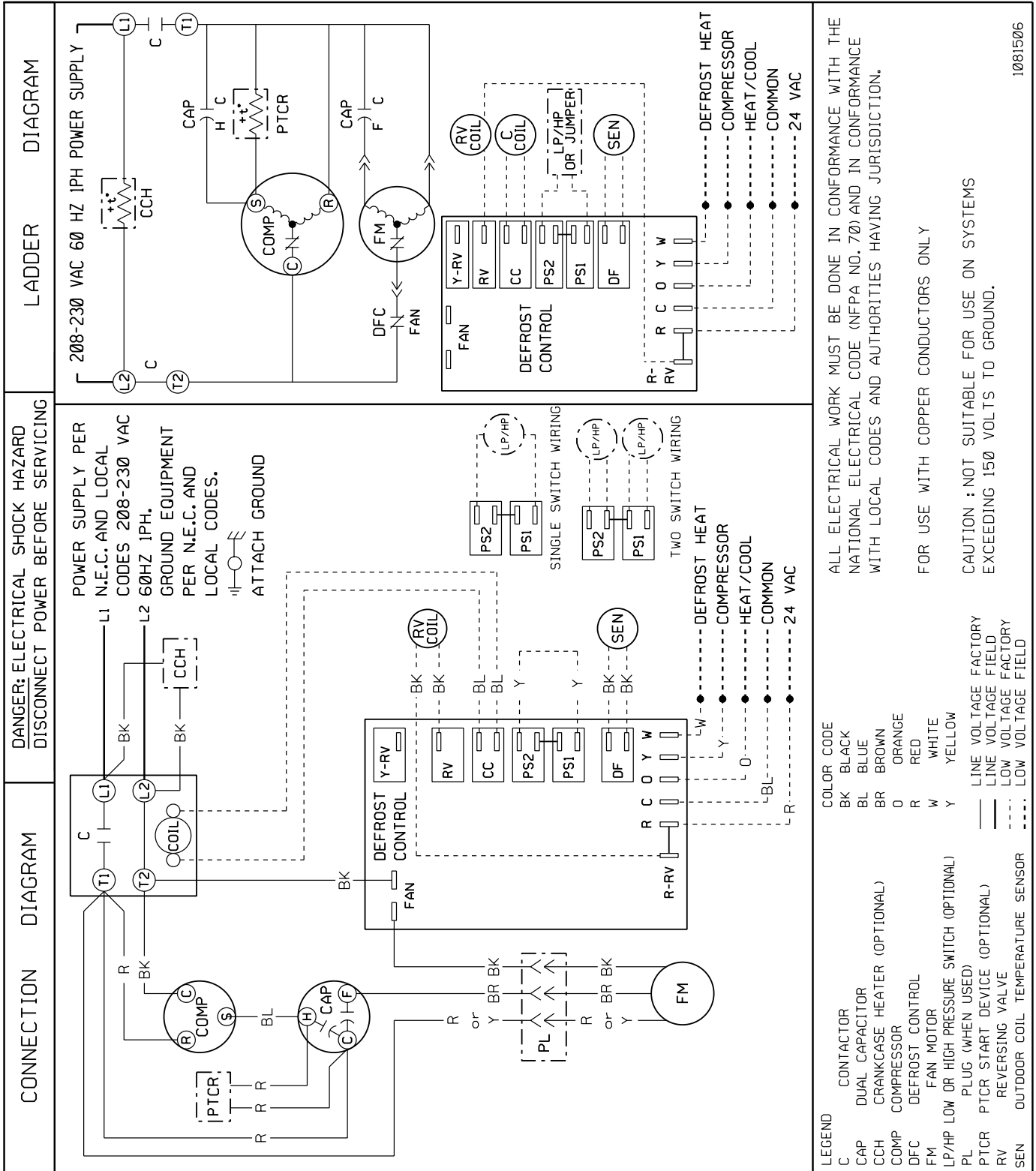
5 TON

Style No:	60MHD-000095ZR		Outdoor Ambient Temperature - Degrees F. Dry Bulb																			
	Voltage	208-230	75				85				95				105				115			
			Entering Indoor Temperature - Degrees F. Wet Bulb																			
Phase	1	IDB	59	63	67	71	59	63	67	71	59	63	67	71	59	63	67	71	59	63	67	71
Ampacity	35.2																					
Wire Ga/Ft	8/49																					
Delay Fuse	45																					
Max. Fuse	60																					
Compressor	COPELAND																					
RLA	27.1																					
LRA	172																					
Cap MFD/V	60/370																					
CC Heater	None																					
Start Kit	None																					
Fan Motor-HP	1 / 4																					
Type	PSC																					
FLA	1.4																					
LRA	3.24																					
RPM	840																					
Cap MFD/V	5/370																					
PTCR	None																					
Hi Press	NONE																					
Low Press	0 PSIG																					
Low Amb	None																					
Defrost Sensor	ElecTime-Temp 31-51																					
Operating Chg (25 Ft Lines)*	(R-22Oz) 203																					
Service Driers																						
Liquid/Chg Suction	30CuIn/17oz 30SqIn																					
Unit Weight																						

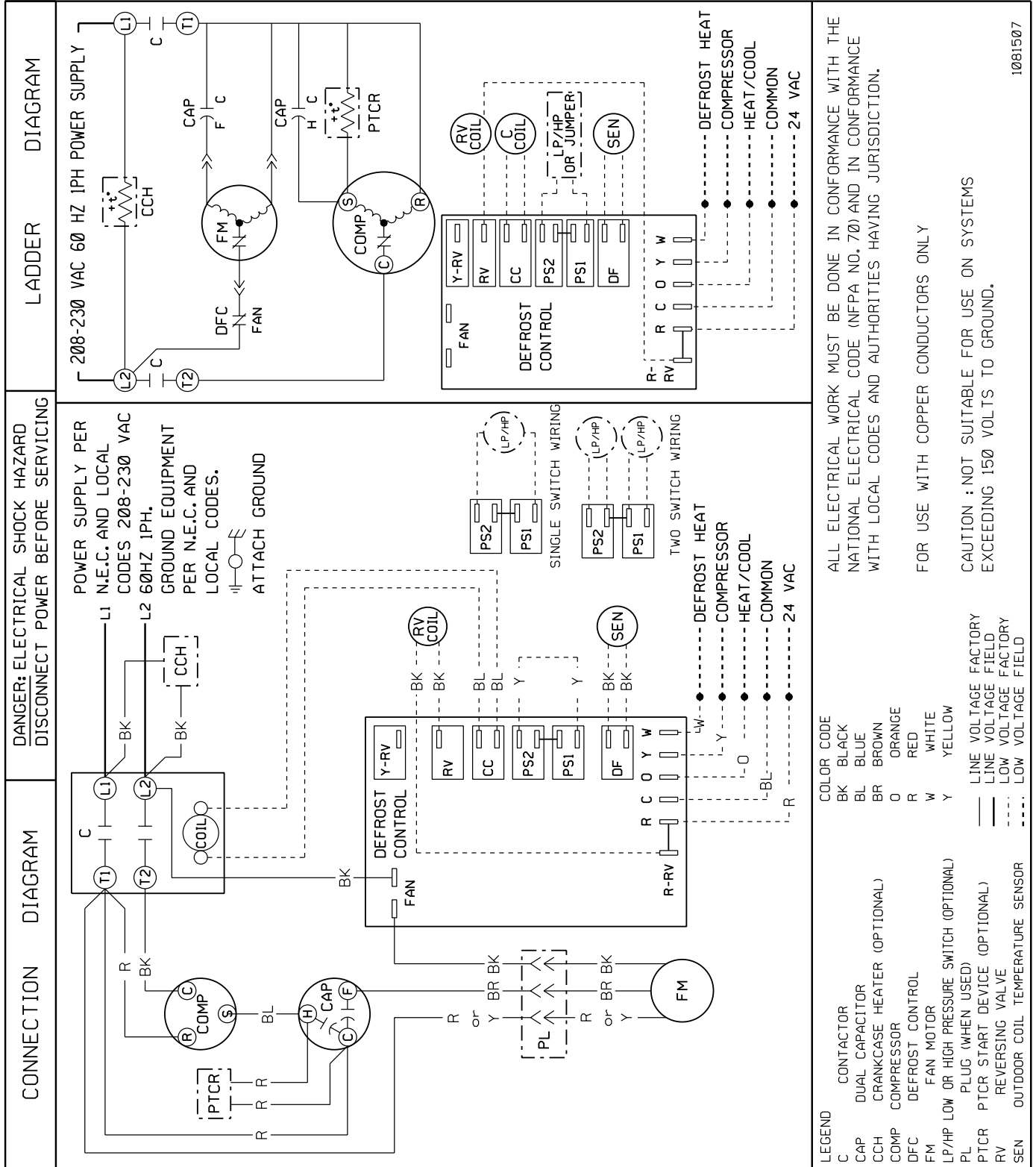
Calculated averaged performance data, for service applications for all matches. Part No:

*Add or Subtract (Oz per Ft) for Lines: .25oz - 1/4 Liq, .45oz - 5/16 Liq, .60oz - 3/8 Liq, 1.2 oz - 1/2 Liq **1080920**

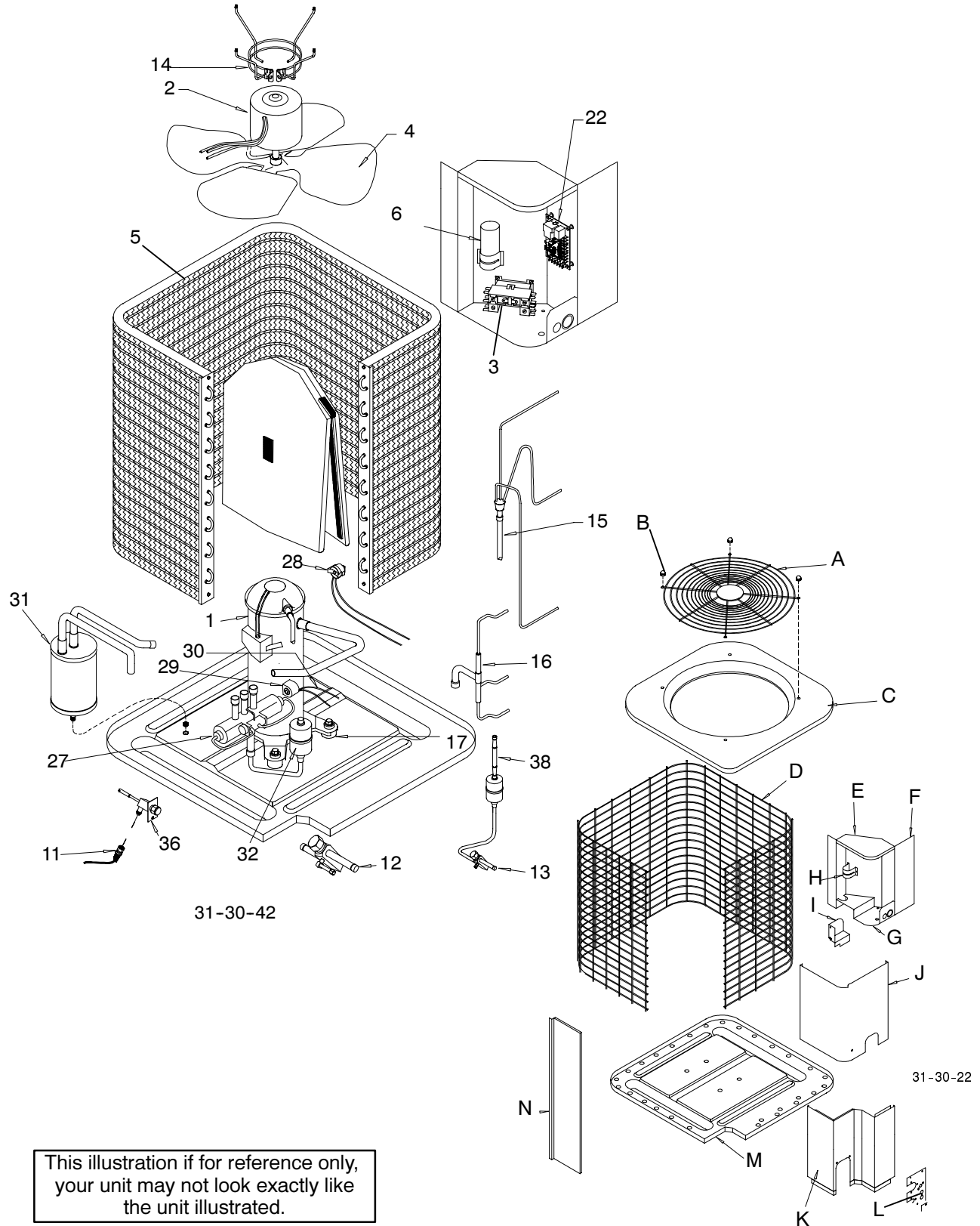
Wiring Diagram - 1 1/2 thru 4 TON



Wiring Diagram - 5 TON



CH55 PARTS ILLUSTRATION



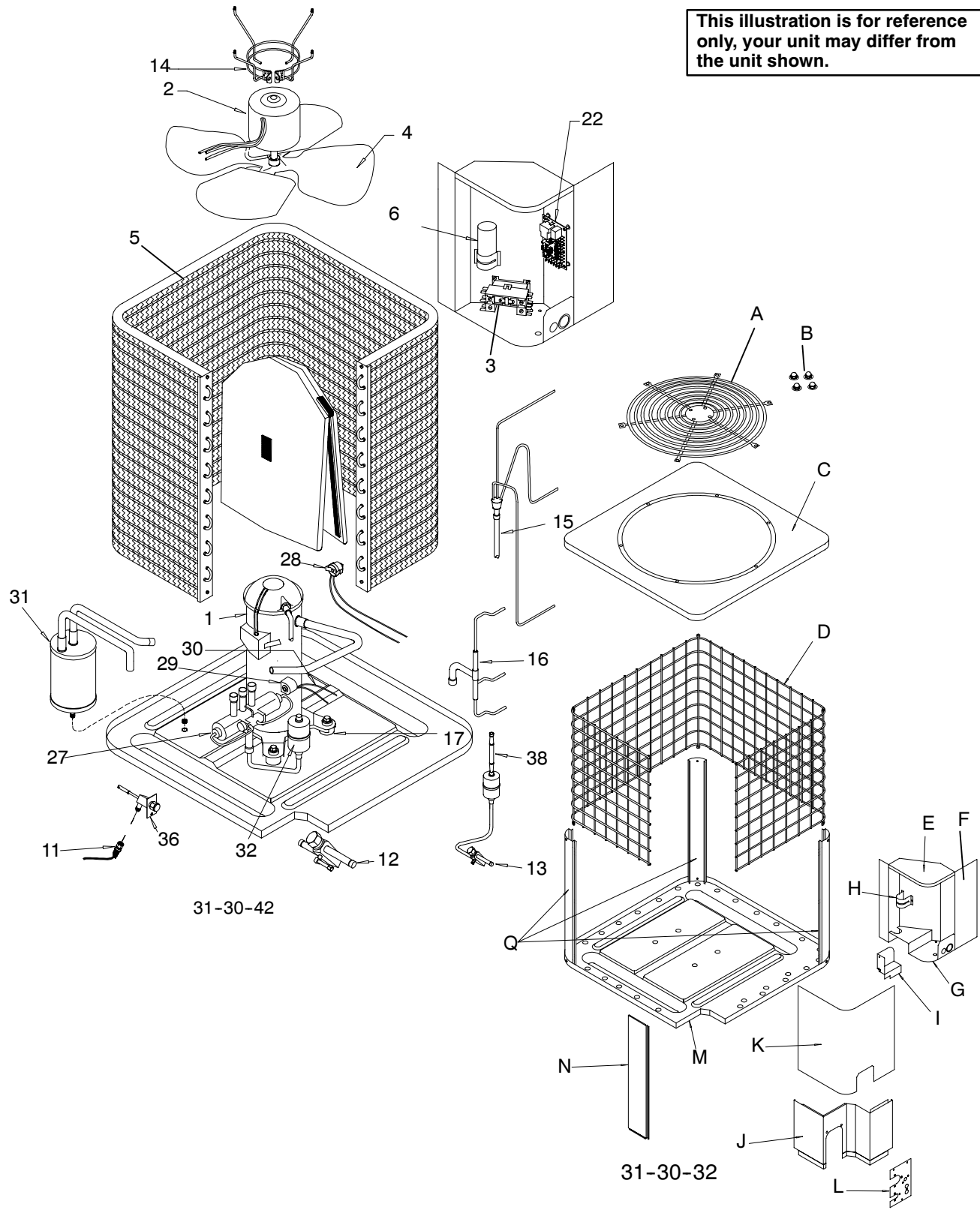
This illustration is for reference only, your unit may not look exactly like the unit illustrated.

Models - CH5518VKC1, CH5524VKC1, CH5530VKC1, CH5536VKC1, CH5542VKC1, CH5548VKC1, CH5560VKC1

NO	DESCRIPTION	PART No.	0	0	0	0	0	0	0
			1	2	3	3	4	4	6
			8	4	0	6	2	8	0
1	COMP. ZR16KCPFV	1080975	1						
	ZR24KCPFV	1080976	-	1					
	ZR28KCPFV	1080974	-	-	1				
	ZR36KCPFV	1080978	-	-	-	1			
	ZR42KCPFV	1080979	-	-	-	-	1		
	ZR47KCPFV	1097011	-	-	-	-	-	1	
	ZR61KCPFV	1069319	-	-	-	-	-	-	1
2	MOTOR, FAN	1052662	1						
		1052659	-	1					
		1052703	-	-	1	1	1		
		1052820	-	-	-	-	-	1	1
		1050699	1	1	1	1			
3	CONTACTOR 25AMP	1050839	-	-	-	-	1	1	
	35AMP	1149653	-	-	-	-	-	-	1
	40AMP	1080775	1						
4	FAN	1080771	-	1					
		1050852	-	-	1	1			
		1052671	-	-	-	-	1		
		1053345	-	-	-	-	-	1	
		1053341	-	-	-	-	-	-	1
5	CONDENSER	1080906	1						
		1080960	-	1					
		1081003	-	-	1				
		1080969	-	-	-	1			
		1081076	-	-	-	-	1		
		1080966	-	-	-	-	-	1	
		1080963	-	-	-	-	-	-	1
6	CAPACITOR, 25+5MFD, 370V	1094975	1						
	30+5MFD, 370V	1094977	-	1					
	35+5MFD, 440V	1094984	-	-	1	1			
	40+5MFD, 370V	1094980	-	-	-	-	1	1	
	60+5MFD, 370V	1095025	-	-	-	-	-	-	1
11	SWITCH, LOW PRESSURE	1081019	1	1	1	1	1	1	1
12	VALVE, SERVICE SUCTION	1080995	1	1	1				
		1080980	-	-	-	1			
		1081023	-	-	-	-	1		
		1080996	-	-	-	-	-	1	
		1080997	-	-	-	-	-	-	1
		1080999	1	1	1	1			
		1081000	-	-	-	-	1	1	1
13	VALVE, SERVICE LIQUID	1051460	-	-	1	1	1		
14	MOUNT, FAN MOTOR	1052968	-	-	-	-	-	1	1
		1081091	1						
15	DISTRIBUTOR ASSEMBLY	1081069	-	1		1			
		1081004	-	-	1				
		1081074	-	-	-	-	1		
		1081082	-	-	-	-	-	1	
		1081087	-	-	-	-	-	-	1
		1081047	1						
		1081043	-	1		1			
16	MANIFOLD	1081042	-	-	1				
		1081044	-	-	-	-	1		
		1081045	-	-	-	-	-	1	
		1081046	-	-	-	-	-	-	1
		1052060	4	4	4	4	4	4	4
	22	CONTROL, DEFROST	1069364	1	1	1	1	1	1
	25	DRIER, FILTER	1064507	1	1	1	1	1	1
27	VALVE, REVERSING	1095322	1						
		1095321	-	1	1				
		1095226	-	-	-	1	1		
		1095319	-	-	-	-	-	1	
		34329030	-	-	-	-	-	-	1

NO	DESCRIPTION	PART No.	0	0	0	0	0	0	0	
			1	2	3	3	4	4	6	
			8	4	0	6	2	8	0	
28	SENSOR, DEFROST	1080977	1	1	1	1	1	1	1	
29	COIL, REVERSING VALVE	34329055	1	1	1	1	1	1	1	
30	HARNESS, REV. VALVE	1066711	1	1	1	1	1	1	1	
31	ACCUMULATOR	1063781	1	1						
		1092835	-	-	1					
		1081064	-	-	-	1	1			
		1081063	-	-	-	-	-	1		
		1081065	-	-	-	-	-	-	1	
		1059730	1	1	1	1	1	1	1	
	32	MUFFLER	1081020	1	1	1	1	1	1	
	36	PORT ASY, HI/LO (TEST)	1080981	1						
	38	RESTRICTOR, .041	1080982	-	1					
		.051	1080983	-	-	1				
.054		1080984	-	-	-	1				
.063		1080985	-	-	-	-	1			
.069		1080986	-	-	-	-	-	1		
.076		1080987	-	-	-	-	-	-	1	
.080		1080987	-	-	-	-	-	-	1	
)		MANUAL, PARTS LIST	1080910	1	1	1	1	1	1	
)	MANUAL, INSTALLATION	1053083	1	1	1	1	1	1		
)	MANUAL, USERS	1067618	1	1	1	1	1	1		
A	GRILLE, OUTLET	1061974	-	-	-	-	-	1	1	
B	NUT, CAP	1052962	4	4						
		1052963	-	-	4	4	4	4		
		1053248	-	-	-	-	-	4	4	
		1052697	1	1						
C	PANEL, TOP	1052701	-	-	1	1	1			
		1052700	-	-	-	-	-	1	1	
		1051482	1							
D	GRILLE, INLET	1054086	-	1						
		1053148	-	-	-	1				
		1053250	-	-	-	1				
		1060379	-	-	-	-	1			
E	TOP, CONTROL BOX	1060383	-	-	-	-	-	1		
		1053369	-	-	-	-	-	-	1	
		1064781	1	1						
		1064362	-	-	1	1	1	1	1	
		1060004	1	1						
		1060005	-	-	1	1	1	1	1	
		1052888	1	1						
F	BOX, CONTROL	1064364	-	-	1	1	1	1	1	
		1095021	1	1	1	1	1	1	1	
		1064218	-	-	-	-	-	1		
G	BOTTOM, CONTROL BOX	1051476	-	-	-	-	-	-	1	
		1051297	1	1	1	1	1	1	1	
H	CLAMP, CAPACITOR	1052790	1	1						
		1052702	-	-	1	1	1	1	1	
I	DIVIDER, LOW VOLTAGE	1052690	1							
		1052692	-	1						
		1052770	-	-	1					
		1052705	-	-	-	1	-	-	1	
		1052798	-	-	-	-	1			
J	COVER, CONTROL BOX	1052704	-	-	-	-	-	1		
		1052849	1	1	1	1		1		
K	PANEL, CORNER	1081007	-	-	-	-	1		1	
		1052699	1	1						
		1052693	-	-	1	1	1			
L	PLATE, FITTING	1068671	-	-	-	-	-	1	1	
		1052898	-	-	-	-	-	1		
		1052800	-	-	-	-	-	-	1	
		1052800	-	-	-	-	-	-	1	
M	BASEPAN	1052800	-	-	-	-	-	-	1	
		1052800	-	-	-	-	-	-	1	
N	PANEL, ACCESS	1052800	-	-	-	-	-	-	1	
		1052800	-	-	-	-	-	-	1	

This illustration is for reference only, your unit may differ from the unit shown.



Models - YJ018GA1, YJ024GA1, YJ030GA1, YJ036GA1, YJ042GA1, YJ048GA1, YJ060GA1

NO	DESCRIPTION	PART No.	0	0	0	0	0	0	0
			1	2	3	3	4	4	6
			8	4	0	6	2	8	0
1	COMP. ZR16KCPFV	1080975	1						
	ZR24KCPFV	1080976	-	1					
	ZR28KCPFV	1080974	-	-	1				
	ZR36KCPFV	1080978	-	-	-	1			
	ZR42KCPFV	1080979	-	-	-	-	1		
	ZR47KCPFV	1097011	-	-	-	-	-	1	
	ZR61KCPFV	1069319	-	-	-	-	-	-	1
2	MOTOR, FAN	1052662	1						
		1052659	-	1					
		1052703	-	-	1	1	1		
		1052820	-	-	-	-	-	1	1
3	CONTACTOR 25AMP	1050699	1	1	1	1			
	35AMP	1050839	-	-	-	-	1	1	
	40AMP	1149653	-	-	-	-	-	-	1
4	FAN	1080775	1						
		1080771	-	1					
		1050852	-	-	1	1			
		1052671	-	-	-	-	1		
		1053345	-	-	-	-	-	1	
		1053341	-	-	-	-	-	-	1
		1080906	1						
5	CONDENSER	1080960	-	1					
		1081003	-	-	1				
		1080969	-	-	-	1			
		1081076	-	-	-	-	1		
		1080966	-	-	-	-	-	1	
		1080963	-	-	-	-	-	-	1
		1094975	1						
6	CAPACITOR, 25+5MFD, 370V	1094977	-	1					
	30+5MFD, 370V	1094984	-	-	1	1			
	35+5MFD, 440V	1094980	-	-	-	-	1	1	
	40+5MFD, 370V	1095025	-	-	-	-	-	-	1
	60+5MFD, 370V	1081019	1	1	1	1	1	1	1
11	SWITCH, LOW PRESSURE	1080995	1	1	1				
12	VALVE, SERVICE SUCTION	1080980	-	-	-	1			
		1081023	-	-	-	-	1		
		1080996	-	-	-	-	-	1	
		1080997	-	-	-	-	-	-	1
13	VALVE, SERVICE LIQUID	1080999	1	1	1	1			
		1081000	-	-	-	-	1	1	1
14	MOUNT, FAN MOTOR	1051460	-	-	1	1	1		
		1052968	-	-	-	-	-	1	1
15	DISTRIBUTOR ASSEMBLY	1081091	1						
		1081069	-	1		1			
		1081004	-	-	1				
		1081074	-	-	-	-	1		
		1081082	-	-	-	-	-	1	
		1081087	-	-	-	-	-	-	1
16	MANIFOLD	1081047	1						
		1081043	-	1		1			
		1081042	-	-	1				
		1081044	-	-	-	-	1		
		1081045	-	-	-	-	-	1	
		1081046	-	-	-	-	-	-	1
17	GROMMET, COMPRESSOR	1052060	4	4	4	4	4	4	4
22	CONTROL, DEFROST	1069364	1	1	1	1	1	1	1
25	DRIER, FILTER	1064507	1	1	1	1	1	1	1
27	VALVE, REVERSING	1095322	1						
		1095321	-	1	1				
		1095226	-	-	-	1	1		
		1095319	-	-	-	-	-	1	
		34329030	-	-	-	-	-	-	1

NO	DESCRIPTION	PART No.	0	0	0	0	0	0	0
			1	2	3	3	4	4	6
			8	4	0	6	2	8	0
28	SENSOR, DEFROST	1080977	1	1	1	1	1	1	1
29	COIL, REVERSING VALVE	34329055	1	1	1	1	1	1	1
30	HARNES, REV. VALVE	1066711	1	1	1	1	1	1	1
31	ACCUMULATOR	1063781	1	1					
		1092835	-	-	1				
		1081064	-	-	-	1	1		
		1081063	-	-	-	-	-	1	
		1081065	-	-	-	-	-	-	1
32	MUFFLER	1059730	1	1	1	1	1	1	1
36	PORT ASY, HI/LO (TEST)	1081020	1	1	1	1	1	1	1
38	RESTRICTOR, .041	1080981	1						
		.051	1080982	-	1				
		.054	1080983	-	-	1			
		.063	1080984	-	-	-	1		
		.069	1080985	-	-	-	-	1	
		.076	1080986	-	-	-	-	-	1
		.080	1080987	-	-	-	-	-	1
)	MANUAL, PARTS LIST	7780051	1	1	1	1	1	1	1
)	MANUAL, INSTALLATION	7511056	1	1	1	1	1	1	1
)	MANUAL, USERS	1067618	1	1	1	1	1	1	1
A	GRILLE, OUTLET	1064780	1	1					
		1067519	-	-	1	1	1		
		1068737	-	-	-	-	-	1	1
B	NUT, CAP	1052962	4	4	4	4	4		
		1053248	-	-	-	-	-	4	4
C	PANEL, TOP	1069829	1	1					
		1069831	-	-	1	1	1		
		1068660	-	-	-	-	-	1	1
D	GRILLE, INLET	1069701	1						
		1069700	-	1					
		1069708	-	-	1				
		1069709	-	-	-	1			
		1069710	-	-	-	-	1		
		1080688	-	-	-	-	-	1	
		1080683	-	-	-	-	-	-	1
E	TOP, CONTROL BOX	1064781	1	1					
		1064362	-	-	1	1	1	1	1
F	BOX, CONTROL	1060004	1	1					
		1060005	-	-	1	1	1	1	1
G	BOTTOM, CONTROL BOX	1052888	1	1					
		1064364	-	-	1	1	1	1	1
H	CLAMP, CAPACITOR	1095021	1	1	1	1	1		
		1064218	-	-	-	-	-	1	
		1051476	-	-	-	-	-	-	1
I	DIVIDER, LOW VOLTAGE	1051297	1	1	1	1	1	1	1
J	COVER, CONTROL BOX	1068798	1	1					
		1068667	-	-	1	1	1	1	1
K	PANEL, CORNER	1068518	1						
		1068517	-	1					
		1068664	-	-	1				
		1068665	-	-	-	1	-	-	1
		1068666	-	-	-	-	1		
		1068663	-	-	-	-	-	1	
L	PLATE, FITTING	1052849	1	1	1	1	1		1
		1081007	-	-	-	-	1		1
M	BASEPAN	1069833	1	1					
		1069837	-	-	1	1	1		
		1068673	-	-	-	-	-	1	1
N	PANEL, ACCESS	1068670	-	-	-	-	-	1	
		1068668	-	-	-	-	-	-	1
Q	POST, CORNER	1069732	3						
		1069733	-	3					
		1069734	-	-	-	-	-	3	